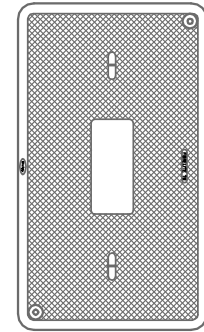
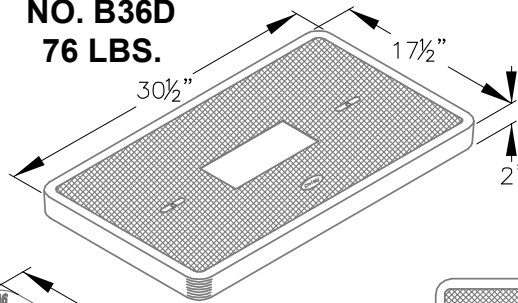


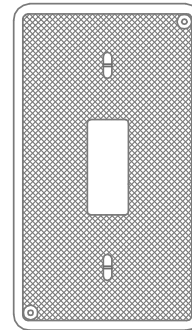
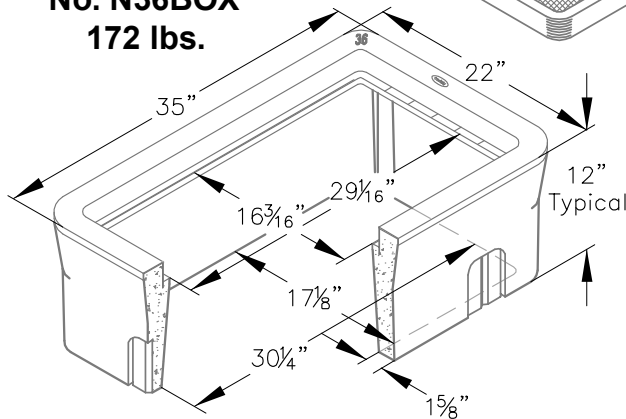
- Etched polypropylene face
- Face anchored in concrete
- Ultra-violet inhibitor
- Exceeds ASTM-D1693 Standards for Environmental Stress Cracking Resistance
- Meets Caltrans #6 State Specifications

**REINFORCED CONCRETE LID  
NO. B36D  
76 LBS.**

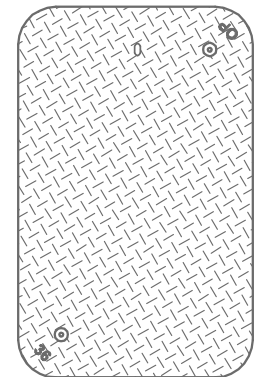


**FL36T**

**ELECTRICAL BOX  
No. N36BOX  
172 lbs.**



**N36T**



**N36-61J**

A high density reinforced concrete pull and junction box with end and side knockouts. Non-settling shoulders maintain grade and facilitate back filling. Approximate dimensions and weight shown.

Ordering Code	Item	Approx. Shipping Weight	Description
N36BOX	BOX	172	N36 Electrical Box (17 1/8" x 30 1/4")- Meets #6 State Specifications- 8 per pallet
B36D	LID	76	Reinforced concrete
FL36D	LID	35	Fibrelyte lid, non-concrete
N36T	LID	76	Reinforced concrete, bolt down (order N99 bolts separately)
FL36T	LID	35	Fibrelyte lid, bolt down (order N99 bolts separately)
B36-61D	COVER	56	Steel checker plate
N36-61J	COVER	56	Steel checker plate, bolt down (order N99 bolts separately)
B36X12	EXTENSION	189	12" Reinforced concrete - 8 per pallet
B36SL	SLAB	104	Reinforced concrete (20" x 34")

Galvanizing available on all steel covers



**Oldcastle Precast®**  
Enclosure Solutions  
MADERA/TRACY/ROSEVILLE/PHOENIX  
Phone: (800) 486-7070 Fax: (800) 486-6804  
Copyright © 2009 Oldcastle Precast Inc.

**N36 BOX**

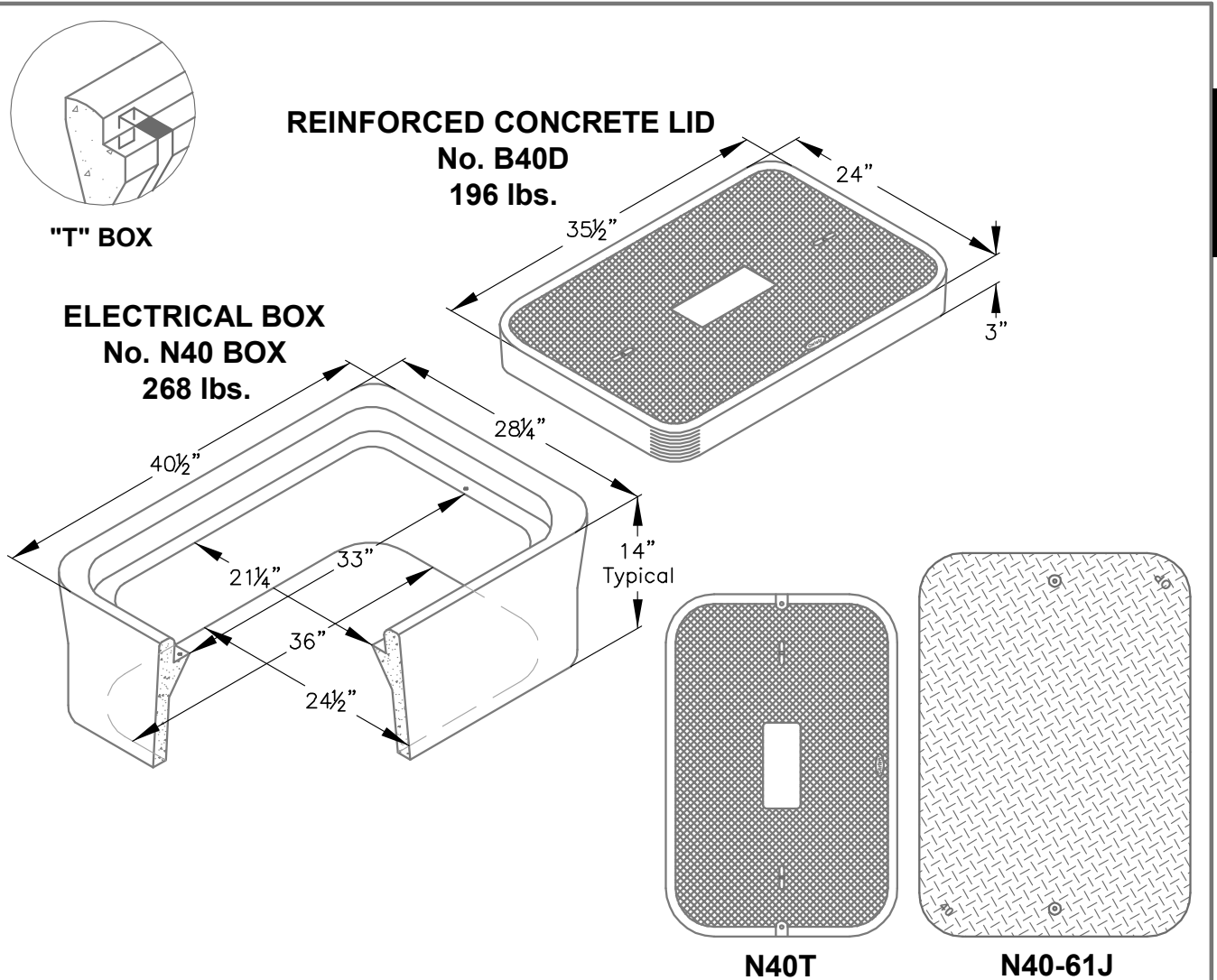
FILE NAME: N36\_ISO

ISSUE DATE: January, 2009

[www.oldcastleprecast.com](http://www.oldcastleprecast.com)

**N36 ELECTRICAL BOX**  
**17-1/8" x 30-1/4"**





A high density reinforced concrete pull and junction box with end and side knockouts. Non-settling shoulders maintain grade and facilitate back filling. Approximate dimensions shown.

Ordering Code	Item	Approx. Shipping Weight	Description
B40BOX	BOX	268	N40 Electrical Box (24½" x 36")– 3 per pallet
B40D	LID	196	Reinforced concrete
N40T	LID	196	Reinforced concrete with hold down bolts
B40-61D	COVER	82	Steel checker plate
N40-61J	COVER	84	Steel checker plate with hold down bolts
B40X10	EXTENSION	215	10" Reinforced concrete – 4 per pallet
B40SL	SLAB	194	Reinforced concrete (30" x 40")

Galvanizing available on all steel covers



**Oldcastle Precast®**  
 Enclosure Solutions  
 MADERA/TRACY/ROSEVILLE/PHOENIX  
 Phone: (800) 486-7070 Fax: (800) 486-6804  
 Copyright © 2009 Oldcastle Precast Inc.

**N40 BOX**

FILE NAME: N40\_ISO

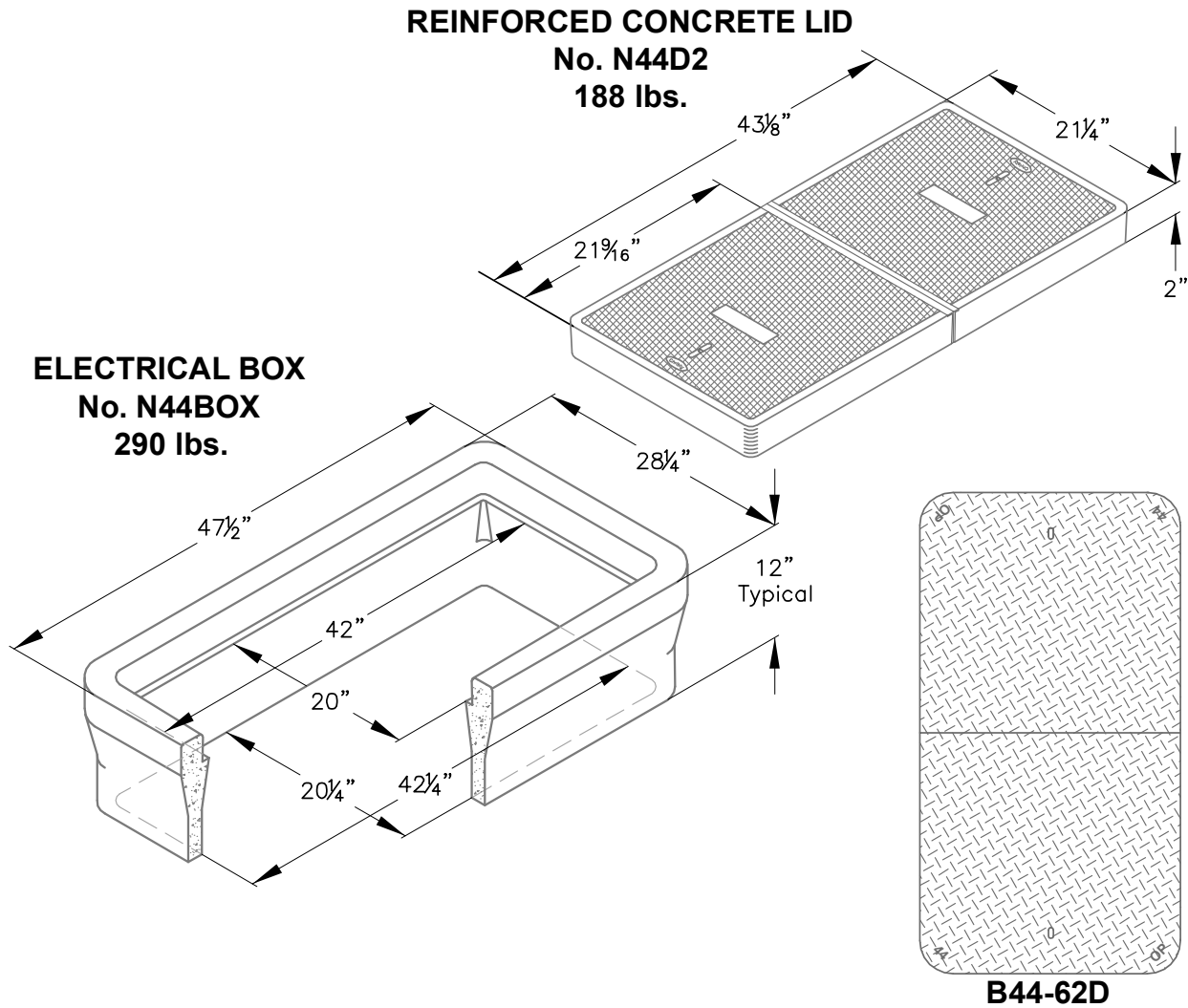
ISSUE DATE: January, 2009

[www.oldcastleprecast.com](http://www.oldcastleprecast.com)

**N40 ELECTRICAL BOX**

**24-1/2" x 36"**





A high density reinforced concrete box with non-settling shoulders positioned to maintain grade and facilitate back filling. Approximate dimensions and weight shown.

Ordering Code	Item	Approx. Shipping Weight	Description
B44BOX	BOX	290	N44 Electrical Box (20½" x 42")— 6 per pallet
N44D2	LID	188	2 pc. Reinforced concrete
B44-62D	COVER	96	2 pc. Steel checker plate
B44X8	EXTENSION	178	8" reinforced concrete— 8 per pallet
B44SL	SLAB	150	Reinforced concrete (24¼" x 46")

Galvanizing available on all steel covers.



**Oldcastle Precast®**  
**Enclosure Solutions**  
 MADERA/TRACY/ROSEVILLE/PHOENIX  
 Phone: (800) 486-7070 Fax: (800) 486-6804  
 Copyright © 2009 Oldcastle Precast Inc.

**N44 BOX**

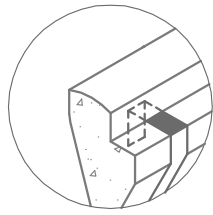
FILE NAME: N44\_ISO

ISSUE DATE: January, 2009

[www.oldcastleprecast.com](http://www.oldcastleprecast.com)

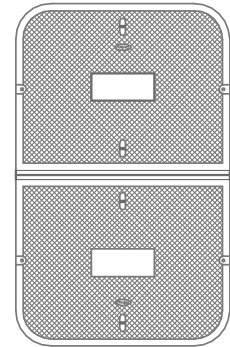
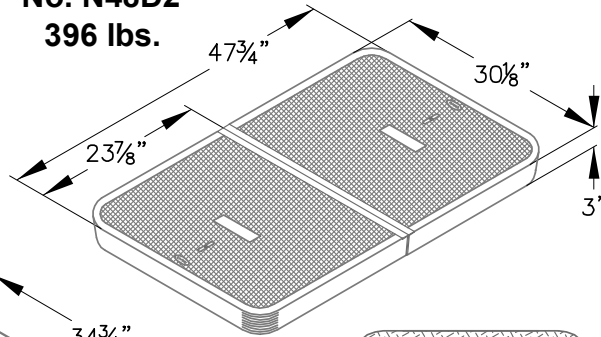
**N44 ELECTRICAL BOX**  
**20-1/4" x 42-1/4"**





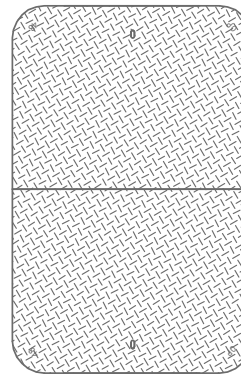
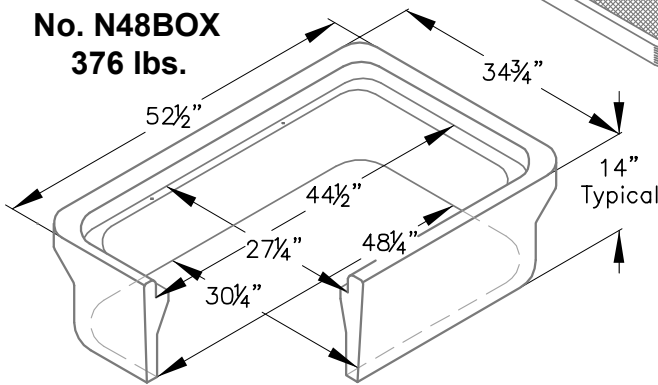
"T" BOX

**REINFORCED CONCRETE LID**  
**No. N48D2**  
**396 lbs.**

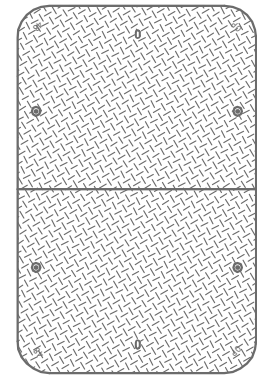


**N48T2**

**ELECTICAL BOX**  
**No. N48BOX**  
**376 lbs.**



**B48-62D**



**B48-62J**

A high density reinforced concrete pull and junction box with end and side knockouts. Non-settling shoulders maintain grade and facilitate back filling. Approximate dimensions and weight shown.

Ordering Code	Item	Approx. Shipping Weight	Description
B48BOX	BOX	376	B48 Utility Box (30 1/4" x 48 1/4") – 3 per pallet
N48TBOX*	BOX	376	N48 Electrical Box (30 1/4" x 48 1/4") – 3 per pallet
N48D2	LID	396	2 pc. Reinforced concrete
N48T2	LID	396	2 pc. Reinforced concrete with hold down bolts
B48-62D	COVER	155	2 pc. Steel checker plate
N48-62J	COVER	155	2 pc. Steel checker plate with hold down bolts
B48X10	EXTENSION	288	10" Reinforced concrete – 3 per pallet
B48SL	SLAB	406	Reinforced concrete (36" x 53")
*Boxes provided with bolt down provisions for use with bolt down lids.			
Galvanizing available on all steel covers			



**Oldcastle Precast**<sup>®</sup>  
**Enclosure Solutions**  
 MADERA/TRACY/ROSEVILLE/PHOENIX  
 Phone: (800) 486-7070 Fax: (800) 486-6804  
 Copyright © 2009 Oldcastle Precast Inc.

**N48 BOX**

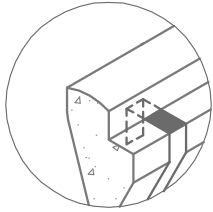
FILE NAME: N48\_ISO

ISSUE DATE: January, 2009

[www.oldcastleprecast.com](http://www.oldcastleprecast.com)

**N48 ELECTRICAL BOX**  
**30-1/4" x 48-1/4"**

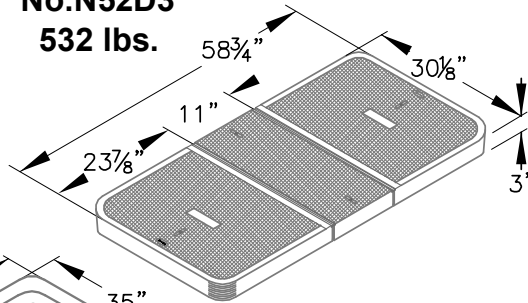




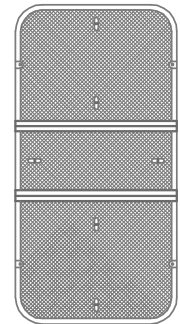
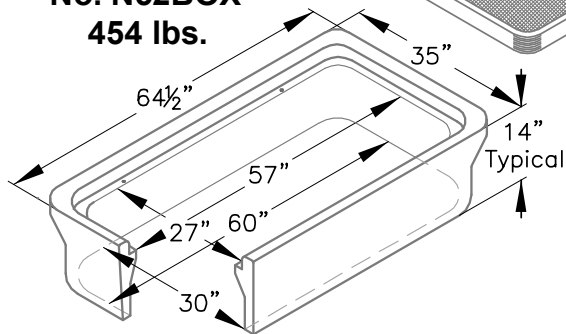
"T" BOX

**REINFORCED CONCRETE LID**

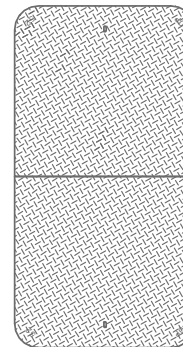
**No. N52D3  
532 lbs.**



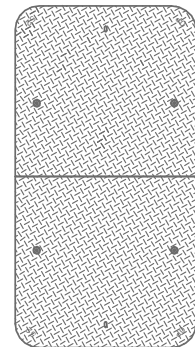
**ELECTRICAL BOX  
No. N52BOX  
454 lbs.**



**N52T3**



**B52-62D**



**N52-62J**

A high density reinforced concrete pull and junction box with end and side knockouts. Non-settling shoulders maintain grade and facilitate back filling. Approximate dimensions and weight shown.

Ordering Code	Item	Approx. Shipping Weight	Description
B52BOX	BOX	454	B52 Utility Box (30" x 60") – 3 per pallet
N52TBOX*	BOX	454	N52 Electrical Box (30" x 60") – 3 per pallet
N52D3	LID	532	3 pc. Reinforced concrete
N52T3	LID	532	3 pc. Reinforced concrete with hold down bolts and interlocking center section
B52-62D	COVER	178	2 pc. Steel checker plate
N52-62J	COVER	178	2 pc. Steel checker plate with hold down bolts
B52X10	EXTENSION	308	10" Reinforced concrete – 3 per pallet
B52SL	SLAB	509	Reinforced concrete (36" x 66")
N52TCS	SECTION	80	Center section w/ tabs, reinforced concrete, for 3pc. bolt down lids

\*Boxes provided with bolt down provisions for use with bolt down lids.  
Galvanizing available on all steel covers



**Oldcastle Precast®**  
Enclosure Solutions  
MADERA/TRACY/ROSEVILLE/PHOENIX  
Phone: (800) 486-7070 Fax: (800) 486-6804  
Copyright © 2009 Oldcastle Precast Inc.

**N52 BOX**

FILE NAME: N52\_ISO

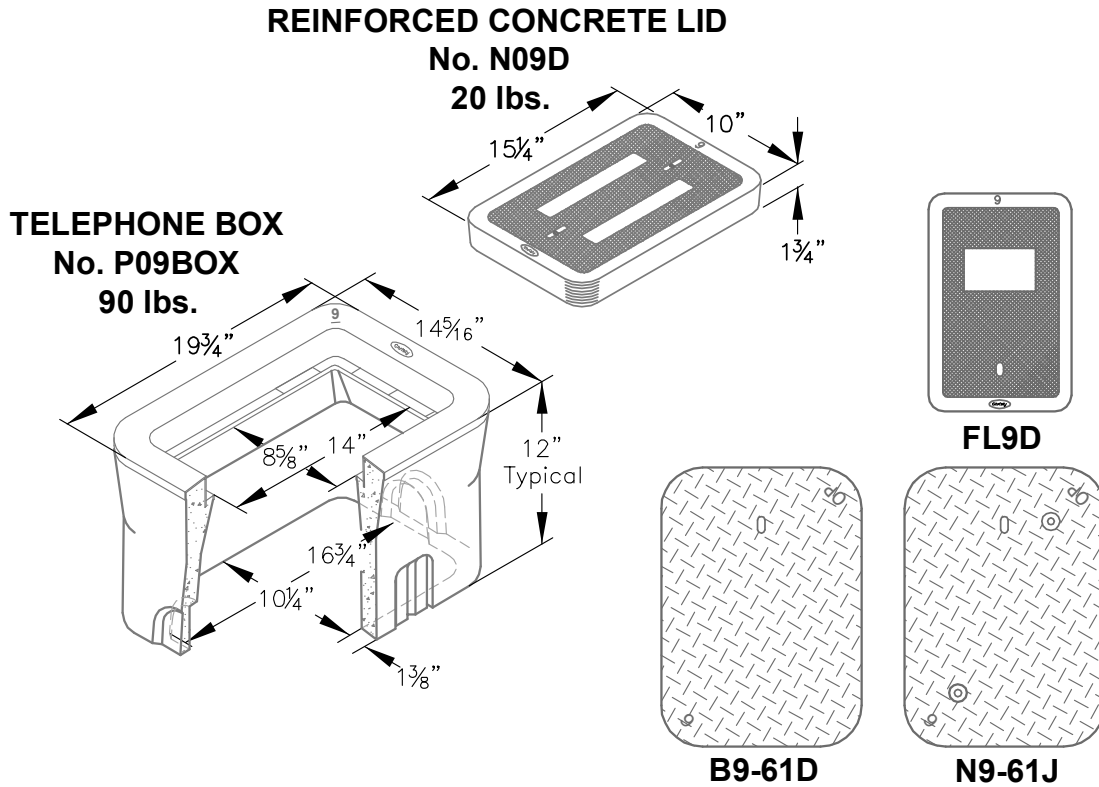
ISSUE DATE: January, 2009

[www.oldcastleprecast.com](http://www.oldcastleprecast.com)

**N52 ELECTRICAL BOX  
30" x 60"**



- Etched polypropylene face
- Face anchored in concrete
- Ultra-violet inhibitor
- Exceeds ASTM-D1693 Standards for Environmental Stress Cracking Resistance



A high density reinforced concrete box with non-settling shoulders positioned to maintain grade and facilitate back filling. Approximate dimensions and weight shown.

Ordering Code	Item	Approx. Shipping Weight	Description
N09BOX	BOX	90	P09 Telephone Box (10 1/4" x 16 3/4")- 28 per pallet
B09D	LID	20	Reinforced concrete
FL09D	LID	9	Fibrelyte lid, non-concrete
B09-61D	COVER	22	Steel checker plate
N09-61J	COVER	22	Steel checker plate, bolt down (order bolts separate)
B09X12	EXTENSION	87	12" Reinforced concrete - 28 per pallet

Galvanizing available on all steel covers



**Oldcastle Precast®**  
Enclosure Solutions  
MADERA/TRACY/ROSEVILLE/PHOENIX  
Phone: (800) 486-7070 Fax: (800) 486-6804  
Copyright © 2009 Oldcastle Precast Inc.

**P09 BOX**

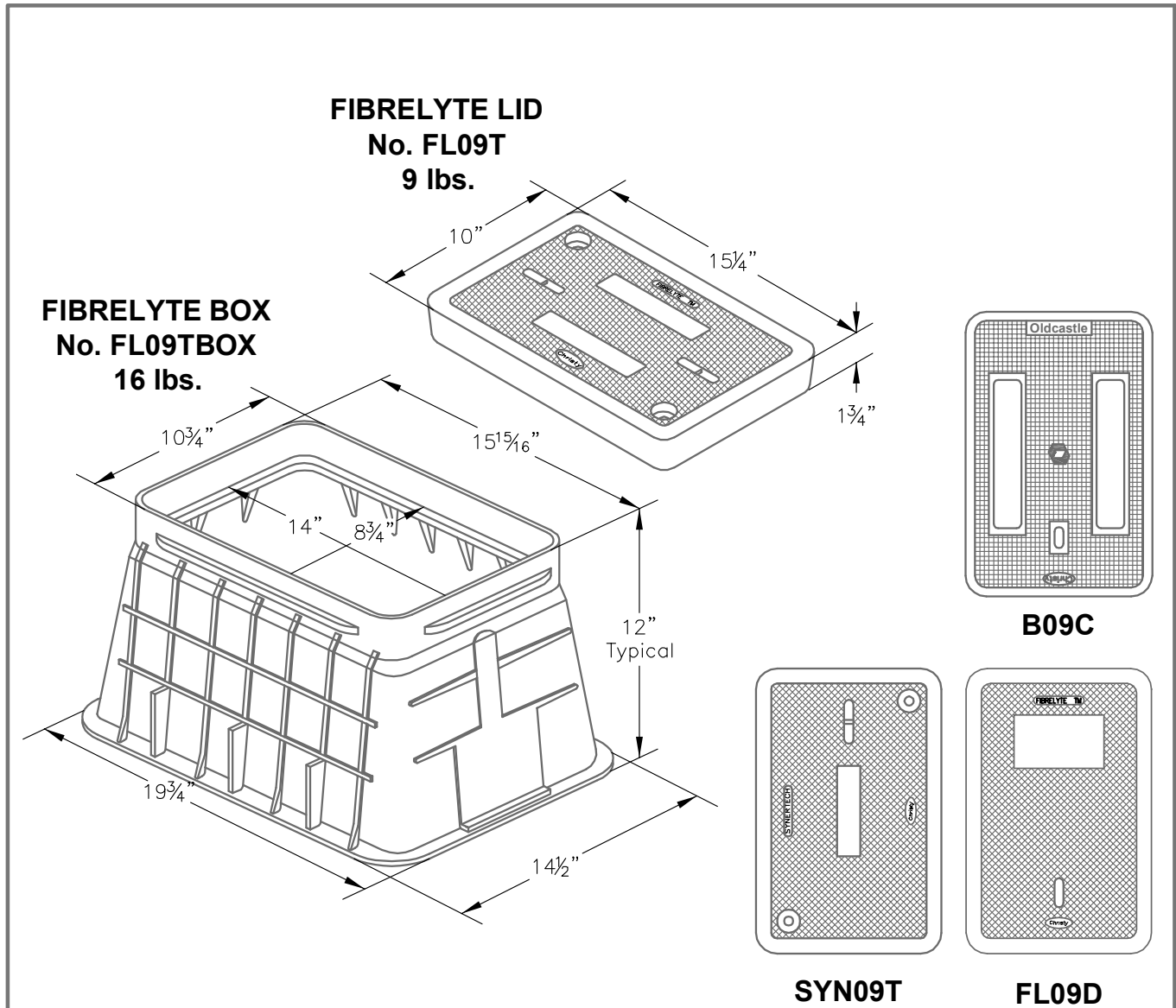
FILE NAME: P09\_ISO

ISSUE DATE: January, 2009

[www.oldcastleprecast.com](http://www.oldcastleprecast.com)

**P09 TELEPHONE BOX**  
**10-1/4" X 16-3/4"**





All Fibrelyte valve and utility boxes are designed to receive either Fibrelyte, Synertech, standard Christy Concrete or cast iron lids. Both Fibrelyte and Synertech are durable, light weight and proven alternative to concrete. Approximate dimensions and weight shown.

Ordering Code	Item	Approx. Shipping Weight	Description
FL09TBOX	BOX	16	FL09T Box (10" x 17" x 12" high) – 48 per pallet
FL09D	LID	9	Fibrelyte Lid
FL09T	LID	9	Fibrelyte lid, bolt down (order FL99 bolts separately)
B09C	LID	20	Cast Iron (bolt down available)
SYN09T	LID	21	Synertech lid, bolt down (order FL99 bolts separately)

**Oldcastle Precast®**  
Enclosure Solutions  
MADERA/TRACY/ROSEVILLE/PHOENIX  
Phone: (800) 486-7070 Fax: (800) 486-6804  
Copyright © 2009 Oldcastle Precast Inc.

**FL09T BOX**

FILE NAME: FL09\_ISO

ISSUE DATE: January, 2009

[www.oldcastleprecast.com](http://www.oldcastleprecast.com)

**FL09 FIBRELYTE BOX**  
**10" x 17"**  
**FIBRELYTE®**