

## Surface Raceway and Lighting Support Systems

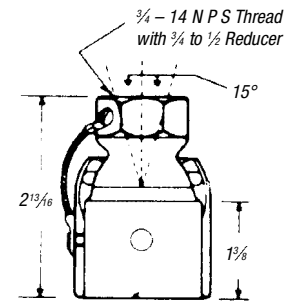
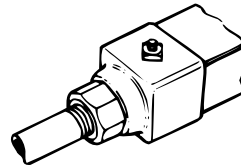
### G-1020 End Swivel Joint

Mounts to 1½" x 1½" raceway channel. Threaded for ¾" conduit or fitting. Swivel action adapter for ½" conduit furnished.



CAT. NO.	DESCRIPTION	WT. LBS./C
G 1020	Galv-Krom® Finish	40

UL Listed for raceway.



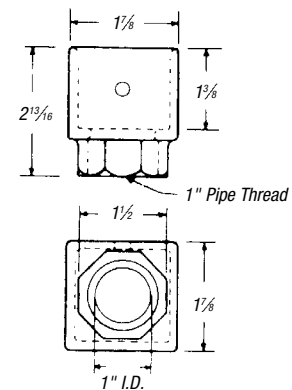
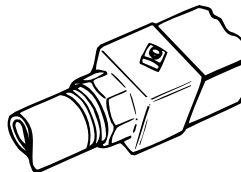
### G-1021 Threaded End Fitting

Mounts to 1½" x 1½" raceway channel. Threaded for 1" conduit or fitting. No swivel action.



CAT. NO.	DESCRIPTION	WT. LBS./C
G 1021	Galv-Krom® Finish	32

UL Listed for raceway.



### G-1032 Channel Swivel Joint

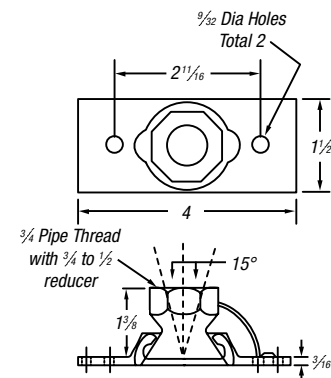
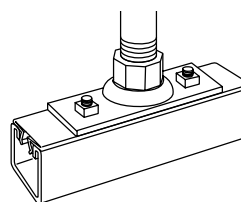
Provides a 15° swivel action (to offset possible movement) for connection of ½" or ¾" conduit to raceway channels. May be accepted for use with ¾" fixture stem when specified. Order two G-974 ¾" fasteners for channel mounting.



CAT. NO.	DESCRIPTION	WT. LBS./C
G 1032	Galv-Krom® Finish	25

Load rating of 500 lbs. with a safety factor of 3.

UL Listed for raceway.



### G-1033 4" Diameter Swivel Cover

Cover for G-2000 through G-2004 junction boxes. Use with ¾" or ½" conduit. Swivel action.



CAT. NO.	DESCRIPTION	WT. LBS./C
G 1033	Galv-Krom® Finish	35

Load rating 400 lbs. with a safety factor of 3. UL Listed for raceway.

