

Industrial Enclosures

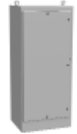
Industrial Enclosures

	Eclipse Junior Series Single Door Enclosures - NEMA 12, 13, 4 3		Eclipse Sloped Top Series Single Door Enclosures - NEMA 4, 12 25
	1414 Series Enclosures Clamped, Lift-Off Cover - NEMA 12, 13 5		Eclipse Series Two Door Enclosures - NEMA 12 27
	1414 N4 Series Enclosures Clamped, Lift-Off Cover - NEMA 12, 13, 4 7	Eclipse Series Accessories - NEMA 4, 12 29-32	
	1414 PH Series Enclosures Continuous Hinge, Clamped Cover - NEMA 12, 13 9		1418 Series Single Door Enclosures Continuous Hinge, Clamped Cover - NEMA 12, 13 33
	1414 N4 PH Series Enclosures Continuous Hinge, Clamped Cover - NEMA 12, 13, 4 11		1418 N4 Series Single Door Enclosures Continuous Hinge, Clamped Cover - NEMA 4 35
	1414 SC Series Enclosures Lift-Off, Screw Cover - NEMA 12, 13 13		1422 Series Two Door Wallmount Enclosures Continuous Hinge - NEMA 12 37
	1436/1438 Series Junction Boxes Lift-Off, Screw Cover - NEMA 12, 13 15		1422 Series Two Door Floormount Enclosures Continuous Hinge - NEMA 12 39
	1418J Series - NEMA 12 17		1422 Series Two Door Floormount Enclosures Continuous Hinge, Clamped Doors - NEMA 4 41
	Eclipse Series Single Door Enclosure - NEMA 4, 12 19		1422 Series Two Door Floormount Enclosures Continuous Hinge, Quarter Turn Latches NEMA 4 43
	Eclipse Series Single Window Door Enclosure - NEMA 4, 12 23		HN4 Series Two Door Floormount Enclosures Continuous Hinge, 3pt Handle - NEMA 4 45
			1418 Series Single Door Freestanding Enclosures, Single or Dual Access - NEMA 12 47

Industrial Enclosures



1418 N4 Series Freestanding Enclosures
Single Door, Clamped Doors
NEMA 4 **49**



1418 N4 Series Freestanding Enclosures
Single Door with Quarter Turn Latches -
NEMA 4 **51**



HN4 Series Freestanding Enclosures
Single Door w/ 3pt Handle -
NEMA 4 **53**



1418 Series Two Door
Freestanding Enclosures -
NEMA 12 **55**

1418 Series Accessories -
NEMA 4, 12 **57-58**



1422 MD Series
Multiple Door Enclosures -
NEMA 12 **59**

Eclipse Junior Series - NEMA 4, 12, 13

Single Door Enclosures

Industrial Enclosures



**Inner
Panel
Included**



Junction Boxes

Application

- Designed to enclose electrical and/or electronic equipment and protect against harsh, industrial environments.
- For use as instrument enclosures, electric, hydraulic or pneumatic control housings, electrical junction boxes or terminal wiring enclosures.
- Impressive styling features make the Eclipse Junior a suitable addition to any high-tech equipment installation.

Standards

- UL 508 Type 3R, 4, 12 and 13
- CSA Type 3R, 4, 12 and 13
- **Complies with**
 - NEMA Type 3R, 4, 12 and 13
 - IEC 60529, IP66

Construction

- Body and cover are formed from 16 gauge steel.
- Smooth, continuously welded seams without knockouts, cutouts, or holes.
- Formed lip on enclosure to exclude flowing liquids and contaminants.
- 14 gauge welded brackets provide for enclosure mounting.
- Continuously hinged cover has 304 stainless steel hinges and provides 180° opening.
- Door latches feature the added safety of quarter turn slot requiring use of tool for opening.
- Quarter turn latches formed from black zinc diecast.
- Seamless poured-in place gasket.
- Models larger than 4"x4" include a removable 14 gauge galvanized inner panel.
- Internal threaded weld studs are provided for mounting inner panels.
- A bonding stud is provided on the door and a grounding stud is provided on the enclosure.
- Grounding and panel mounting hardware provided

Finish

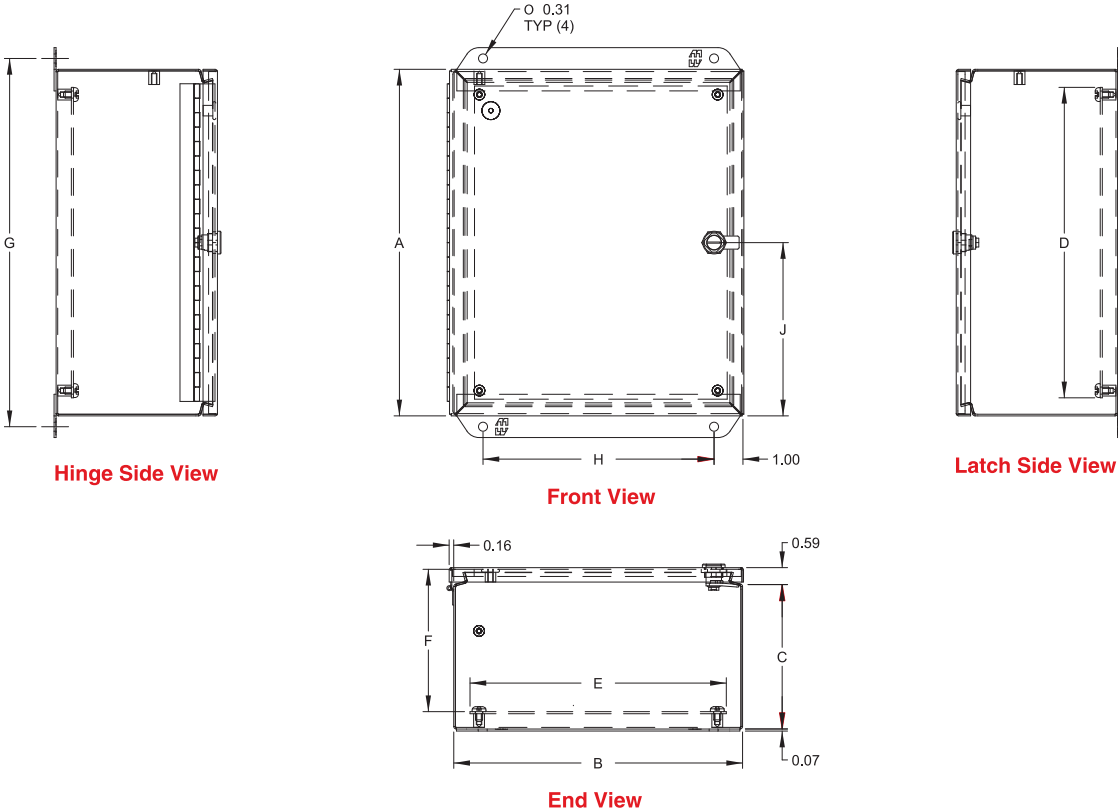
- Cover and enclosure are finished in recoatable smooth ANSI 61 gray powder coating.
- Inner panels are unpainted galvanized steel.

Accessories

- Additional inner panels...see page **436**
- Breather kits...see page **400-401**
- Filter fans...see page **371-384**
- Louvered ventilating plates
...see page **402**
- Padlocking Adapter...see page **435**
- Terminal kit assemblies
...see page **441**
- Thermostats...see page **397**
- Wing knob lock...see page **435**
- Swing panel...see page **440**

Eclipse Junior Series - NEMA 4, 12, 13

Single Door Enclosures



Part No.	Overall Dimensions				Panel Size					Ship Wt. lbs.
	A	B	C	H	G	D	E	J	F	
EJ443	4.00	4.00	3.00	2.00	4.75	—	—	2.00	—	2
EJ643	6.00	4.00	3.00	2.00	6.75	4.88	2.88	3.00	2.92	2
EJ683	6.00	8.00	3.50	6.00	6.75	4.88	6.75	3.00	3.42	5
EJ863	8.00	6.00	3.50	4.00	8.75	6.75	4.88	4.00	3.42	5
EJ444	4.00	4.00	4.00	2.00	4.75	—	—	2.00	—	3
EJ644	6.00	4.00	4.00	2.00	6.75	4.88	2.88	3.00	3.92	3
EJ664	6.00	6.00	4.00	4.00	6.75	4.88	4.88	3.00	3.92	4
EJ884	8.00	8.00	4.00	6.00	8.75	6.75	6.88	4.00	3.92	7
EJ8104	8.00	10.00	4.00	8.00	8.75	6.88	8.75	4.00	3.92	8
EJ1084	10.00	8.00	4.00	6.00	10.75	8.75	6.88	5.00	3.92	8
EJ1264	12.00	6.00	4.00	4.00	12.75	10.75	4.88	6.00	3.92	8
EJ10125	10.00	12.00	5.00	10.00	10.75	8.88	10.75	5.00	4.92	10
EJ12105	12.00	10.00	5.00	8.00	12.75	10.75	8.88	6.00	4.92	12
EJ866	8.00	6.00	6.00	4.00	8.75	6.75	4.88	4.00	5.92	7
EJ1086	10.00	8.00	6.00	6.00	10.75	8.75	6.88	5.00	5.92	10
EJ10106	10.00	10.00	6.00	8.00	10.75	8.75	8.88	5.00	5.92	12
EJ12126	12.00	12.00	6.00	10.00	12.75	10.75	10.88	6.00	5.92	15
EJ12146	12.00	14.00	6.00	12.00	12.75	10.88	12.75	6.00	5.92	17
EJ1486	14.00	8.00	6.00	6.00	14.75	12.75	6.88	7.00	5.92	10
EJ14126	14.00	12.00	6.00	10.00	14.75	12.75	10.88	7.00	5.92	17
EJ14166	14.00	16.00	6.00	14.00	14.75	12.88	14.75	7.00	5.92	21
EJ16106	16.00	10.00	6.00	8.00	16.75	14.75	8.88	8.00	5.92	15
EJ16146	16.00	14.00	6.00	12.00	16.75	14.75	12.88	8.00	5.92	21
EJ12108	12.00	10.00	8.00	8.00	12.75	10.75	8.88	6.00	7.92	15
EJ14128	14.00	12.00	8.00	10.00	14.75	12.75	10.88	7.00	7.92	18
EJ16148	16.00	14.00	8.00	12.00	16.75	14.75	12.88	8.00	7.92	22
EJ161410	16.00	14.00	10.00	12.00	16.75	14.75	12.88	8.00	9.92	23

Technical references and CAD downloads available at www.hammondmfg.com

All dimensions in inches unless specified otherwise

Quality Products. Service Excellence.

1414 Series Enclosures - NEMA 12, 13

Clamped, Lift Off Cover

Industrial Enclosures



**Inner
Panel
Included**



Junction Boxes

Application

- Designed for use as instrument enclosures, electric, hydraulic or pneumatic control housings, electrical junction boxes or terminal wiring enclosures.
- Provides a degree of protection from falling dirt, dust, oil and water.

Standards

- UL 508 Type 12 and 13
- CSA Type 12 and 13
- **Complies with**
 - NEMA Type 12 and 13
 - JIC EGP-1-1967 unless marked†
 - IEC 60529, IP54

Construction

- Body formed from 16 gauge or 14 gauge steel. Covers are formed from 14 gauge steel.
- Smooth, continuously welded seams without knockouts, cutouts or holes.
- Welded brackets provide for enclosure mounting.
- Lift off cover is secured with stainless steel clamps and plated steel screws and retained with a plated chain when open.
- Seamless poured-in place gasket.
- Models larger than 4" x 4" include a removable 14 gauge inner panel.
- Internal threaded weld studs are provided for mounting inner panels.
- A bonding stud is provided on the door and a grounding stud is provided on the enclosure.

Finish

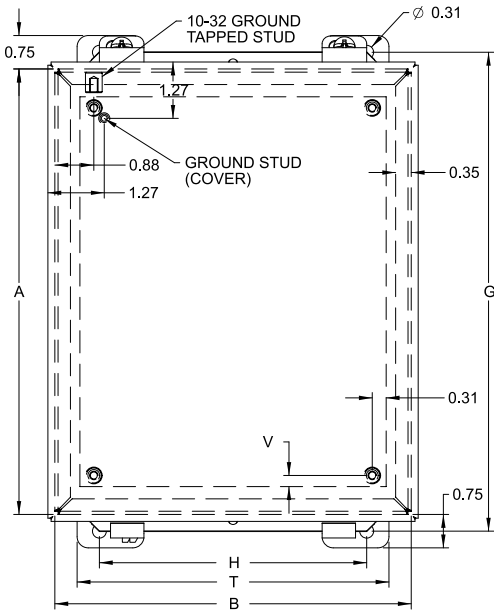
- Cover and enclosure are phosphatized and finished in ANSI 61 gray recoatable powder coating.
- Removable inner panel is finished in white powder coating.

Accessories

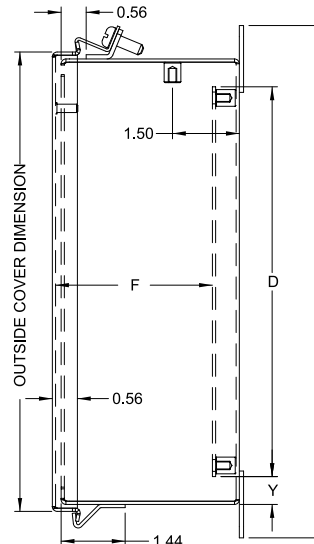
- Additional inner panels...see page **436**
- Breather kits...see page **400-401**
- Door clamping hardware
...see page **429**
- Filter fans...see page **371-384**
- Heaters...see page **393-396**
- Louvered ventilating plates
...see page **402**
- Terminal kit assemblies
...see page **441**
- Thermostats...see page **397**
- Swing panel...see page **440**

1414 Series Enclosures - NEMA 12, 13

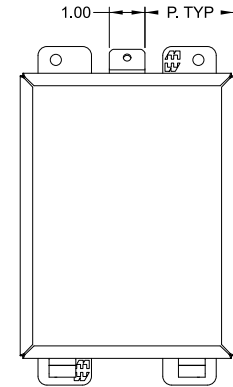
Clamped, Lift Off Cover



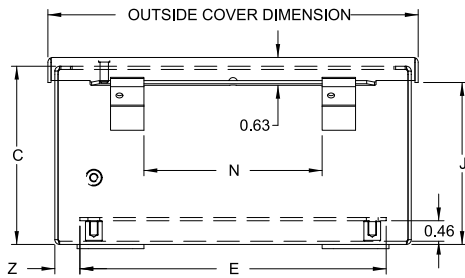
Front View



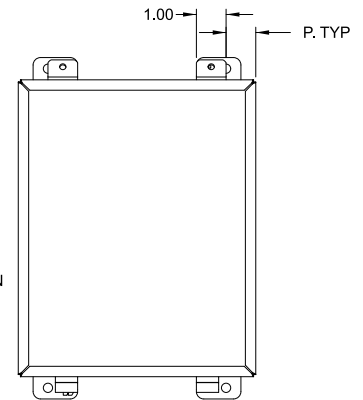
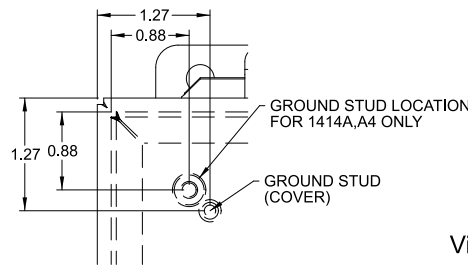
Side View



View showing clamp location when one clamp is used



Bottom View



View showing clamp location when two clamps are used (where B=8 or more)

Industrial Enclosures

Junction Boxes

Part No.	Dimensions			Panel Size		Centers					Cover					Ship Wt. Lbs.			
	A	B	C	D	E	F	G	H	J	L	N	Dimensions	P	T	V		Y	Z	
1414A ¹	4.0	4.0	3.0	—	—	—	4.75	2.00	2.64	5.50	1.31	4.31	4.31	1.50	3.00	—	—	—	2
1414C ¹	6.0	4.0	3.0	4.88	2.88	2.51	6.75	2.00	2.64	7.50	1.31	6.31	4.31	1.50	3.00	0.31	0.56	0.56	3
1414G	8.0	6.0	3.5	6.75	4.88	3.01	8.75	4.00	3.14	9.50	2.88	8.31	6.31	2.50	5.00	0.25	0.63	0.56	7
1414A4 ¹	4.0	4.0	4.0	—	—	—	4.75	2.00	3.64	5.50	1.31	4.31	4.31	1.50	3.00	—	—	—	3
1414C4 ¹	6.0	4.0	4.0	4.88	2.88	3.51	6.75	2.00	3.64	7.50	1.31	6.31	4.31	1.50	3.00	0.31	0.56	0.56	4
1414E	6.0	6.0	4.0	4.88	4.88	3.51	6.75	4.00	3.64	7.50	2.88	6.31	6.31	2.50	5.00	0.31	0.56	0.56	5
1414I	10.0	8.0	4.0	8.75	6.88	3.51	10.75	6.00	3.64	11.50	4.00	10.31	8.31	1.00	7.00	0.25	0.63	0.56	10
1414K	12.0	10.0	5.0	10.75	8.88	4.51	12.75	8.00	4.64	13.50	6.00	12.31	10.31	1.00	9.00	0.25	0.63	0.56	13
1414M6	14.0	12.0	6.0	12.75	10.88	5.51	14.75	10.00	5.64	15.50	8.00	14.31	12.31	1.00	11.00	0.25	0.63	0.56	19
1414O6	16.0	14.0	6.0	14.75	12.88	5.51	16.75	12.00	5.64	17.50	10.00	16.31	14.31	1.00	13.00	0.25	0.63	0.56	23
1414M8	14.0	12.0	8.0	12.75	10.88	7.51	14.75	10.00	7.64	15.50	8.00	14.31	12.31	1.00	11.00	0.25	0.63	0.56	20
1414O10	16.0	14.0	10.0	14.75	12.88	9.51	16.75	12.00	9.64	17.50	10.00	16.31	14.31	1.00	13.00	0.25	0.63	0.56	25

¹ Does not meet JIC requirements

1414 N4 Series Enclosures - NEMA 4, 12, 13

Clamped, Lift Off Cover

Industrial Enclosures



**Inner
Panel
Included**



Junction Boxes

Application

- Designed for use as instrument enclosures, electric, hydraulic or pneumatic control housings, electrical junction boxes or terminal wiring enclosures.
- Provides protection where equipment may be hosed down or otherwise be very wet, or in outdoor applications for full weather protection.

Standards

- UL 508 Type 3R, 4, 12 and 13
- CSA Type 3R, 4, 12 and 13
- **Complies with**
 - NEMA Type 3R, 4, and 12
 - JIC EGP-1-1967
 - IEC 60529, IP66

Construction

- Body formed from 16 or 14 gauge steel. Covers are formed from 14 gauge steel.
- Smooth, continuously welded seams without knockouts, cutouts or holes.
- Welded brackets provide for enclosure mounting.
- Lift off cover is secured with stainless steel clamps and screws.
- Seamless poured-in place gasket.
- All models larger than 4" x 4" include a removable 14 gauge inner panel
- Internal threaded weld studs are provided for mounting inner panels.
- A bonding stud is provided on the door and a grounding stud is provided on the enclosure.

Finish

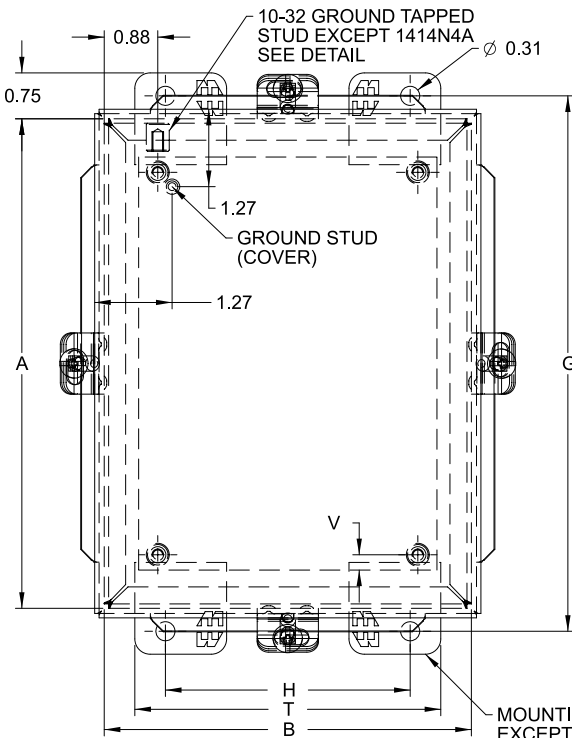
- Cover and enclosure are phosphatized, finished in recoatable smooth ANSI 61 gray powder coating.
- Removable inner panel is finished in white powder coating.

Accessories

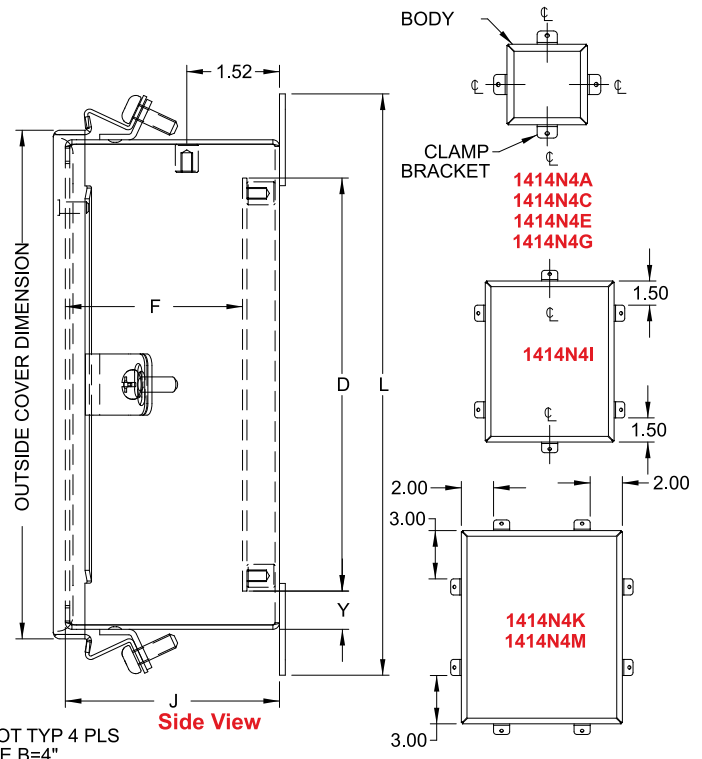
- Additional inner panels...*see page 436*
- Breather kits...*see page 400-401*
- Door clamping hardware
...*see page 429*
- Filter fans...*see page 371-384*
- Heaters...*see page 393-396*
- Louvered ventilating plates
...*see page 402*
- Terminal kit assemblies
...*see page 441*
- Thermostats...*see page 397*
- Swing panel...*see page 440*

1414 N4 Series Enclosures - NEMA 4, 12, 13

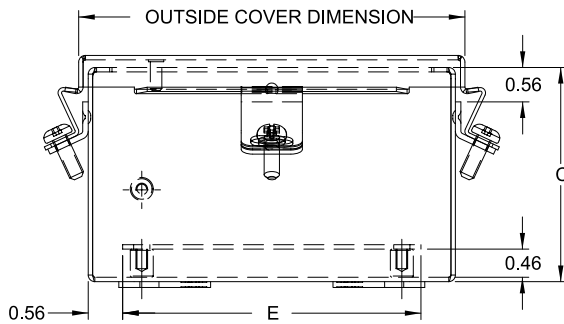
Clamped, Lift Off Cover



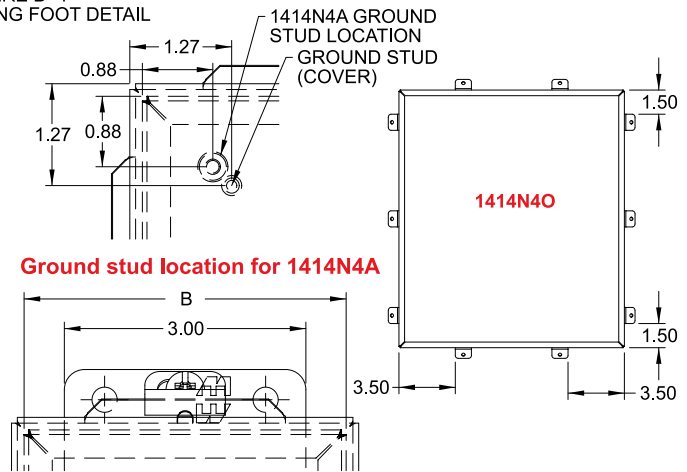
Front View



Side View



Bottom View



Mounting Detail When B= 4

Part No.	Panel Dimensions						Centers			Cover Dimensions				Ship Wt. lbs		
	A	B	C	D	E	F	G	H	J	L	T	V	Y			
1414N4A ¹	4.0	4.0	3.0	—	—	—	4.75	2.00	2.60	5.50	4.31	4.31	3.00	—	—	2
1414N4C	6.0	4.0	3.0	4.88	2.88	2.50	6.75	2.00	2.60	7.50	6.31	4.31	3.00	0.31	0.56	3
1414N4G	8.0	6.0	3.5	6.75	4.88	3.00	8.75	4.00	3.10	9.50	8.31	6.31	5.00	0.25	0.63	6
1414N4E	6.0	6.0	4.0	4.88	4.88	3.50	6.75	4.00	3.60	7.50	6.31	6.31	5.00	0.31	0.56	6
1414N4I	10.0	8.0	4.0	8.75	6.88	3.50	10.75	6.00	3.60	11.50	10.31	8.31	7.00	0.25	0.63	10
1414N4K	12.0	10.0	5.0	10.75	8.88	4.50	12.75	8.00	4.60	13.50	12.31	10.31	9.00	0.25	0.63	15
1414N4M6	14.0	12.0	6.0	12.75	10.88	5.50	14.75	10.00	5.60	15.50	14.31	12.31	11.00	0.25	0.63	20
1414N4O6	16.0	14.0	6.0	14.75	12.88	5.50	16.75	12.00	5.60	17.50	16.31	14.31	13.00	0.25	0.63	26
1414N4M8	14.0	12.0	8.0	12.75	10.88	7.50	14.75	10.00	7.60	15.50	14.31	12.31	11.00	0.25	0.63	22
1414N4O10	16.0	14.0	10.0	14.75	12.88	9.50	16.75	12.00	9.60	17.50	16.31	14.31	13.00	0.25	0.63	30

¹ Panel not included

1414 PH Series Enclosures - NEMA 12, 13

Continuous Hinge, Clamped Cover

Industrial Enclosures

Junction Boxes



**Inner
Panel
Included**



Application

- Designed for use as instrument enclosures, electric, hydraulic or pneumatic control housings, electrical junction boxes or terminal wiring enclosures.
- Provides a degree of protection from falling dirt, dust, oil and water.

Standards

- UL 508 Type 12, 13
- CSA Type 12, 13
- **Complies with**
 - NEMA Type 12 and 13
 - JIC EGP-1-1967 unless marked¹
 - IEC 60529, IP54

Construction

- Body formed from 16 gauge or 14 gauge steel. Covers are formed from 14 gauge steel.
- Smooth, continuously welded seams without knockouts, cutouts or holes.
- Welded brackets provide for enclosure mounting.
- Continuously hinged cover is secured with stainless steel clamps and plated steel screws.
- Seamless poured-in place gasket.
- Models larger than 4" x 4" include a removable 14 gauge inner panel.
- Internal threaded weld studs are provided for mounting inner panels.
- A bonding stud is provided on the door and a grounding stud is provided in the enclosure.

Finish

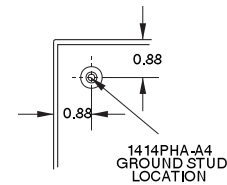
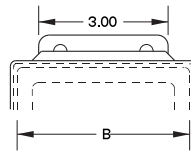
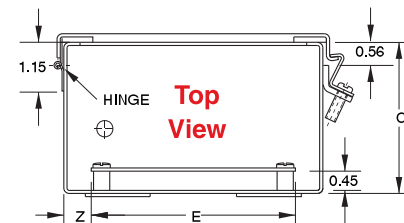
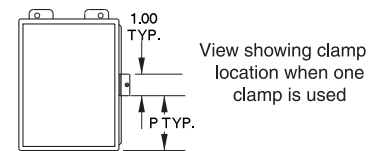
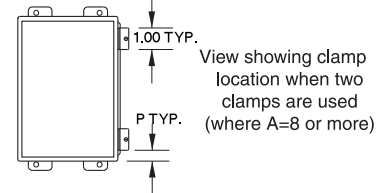
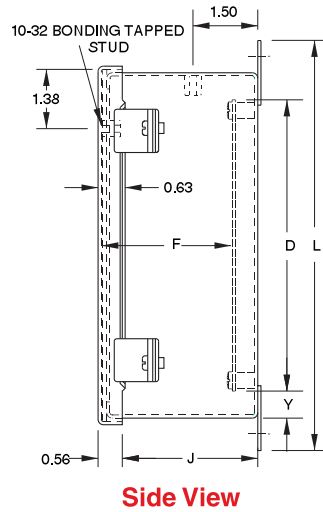
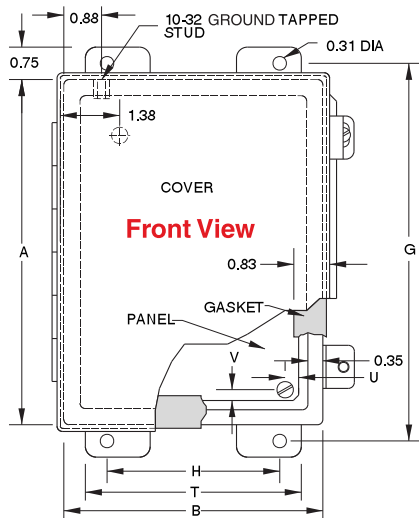
- Cover and enclosure are phosphatized and finished in ANSI 61 gray recoatable powder coating.
- Removable inner panel is finished in white powder coating.

Accessories

- Additional inner panels...*see page 436*
- Breather kits...*see page 400-401*
- Door clamping hardware...*see page 429*
- Filter fans...*see page 371-384*
- Heaters...*see page 393-396*
- Louvered ventilating plates...*see page 402*
- Terminal kit assemblies...*see page 441*
- Thermostats...*see page 397*
- Swing panel...*see page 440*

1414 PH Series Enclosures - NEMA 12, 13

Continuous Hinge, Clamped Cover



Part No.	Part No. Without Inner Panel	Panel Size										Cover Dimensions							Ship wt. w/Pnl	Ship wt. n/Pnl				
		A	B	C	D	E	F	G	H	J	L	P	T	U	V	Y	Z							
—	1414PHA ¹	4	4	3.0	—	—	—	4.75	2	2.64	5.5	4.31	4.31	1.5	3	—	—	—	—	—	—	—	—	2
1414PHC ¹	1414PHCLP ¹	6	4	3.0	4.88	2.88	2.51	6.75	2	2.64	7.5	6.31	4.31	2.5	3	.31	.31	.56	.56	3	3	2	2	
1414PHG	1414PHGLP	8	6	3.5	6.75	4.88	3.01	8.75	4	3.14	9.5	8.31	6.31	1.0	5	.31	.25	.63	.56	6	6	5	5	
1414PHRG	1414PHRGLP	6	8	3.5	4.88	6.75	3.01	6.75	6	3.14	7.5	6.31	8.31	2.5	7	.25	.31	.56	.63	6	6	5	5	
—	1414PHA ¹	4	4	4.0	—	—	—	4.75	2	3.64	5.5	4.31	4.31	1.5	3	—	—	—	—	—	—	—	—	3
1414PHC ¹	1414PHC4LP ¹	6	4	4.0	4.88	2.88	3.51	6.75	2	3.64	7.5	6.31	4.31	2.5	3	.31	.31	.56	.56	4	4	3	3	
1414PHE	1414PHELP	6	6	4.0	4.88	4.88	3.51	6.75	4	3.64	7.5	6.31	6.31	2.5	5	.31	.31	.56	.56	5	4	4	4	
1414PHH4	1414PHH4LP	8	8	4.0	6.75	6.88	3.51	8.75	6	3.64	9.5	8.31	8.31	1.0	7	.31	.25	.63	.56	8	7	7	7	
1414PHI	1414PHILP	10	8	4.0	8.75	6.88	3.51	10.75	6	3.64	11.5	10.31	8.31	1.0	7	.31	.25	.63	.56	10	8	8	8	
1414PHRI	1414PHRILP	8	10	4.0	6.88	8.75	3.51	8.75	8	3.64	9.5	8.31	10.31	1.0	9	.25	.31	.56	.63	10	8	8	8	
1414PHKC4	1414PHKC4LP	12	6	4.0	10.75	4.88	3.51	12.75	4	3.64	13.5	12.31	6.31	1.0	5	.31	.25	.63	.56	10	8	8	8	
1414PHK	1414PHKLP	12	10	5.0	10.75	8.88	4.51	12.75	8	4.64	13.5	12.31	10.31	1.0	9	.31	.25	.63	.56	13	10	10	10	
1414PHRK	1414PHRKLP	10	12	5.0	8.88	10.75	4.51	10.75	10	4.64	11.5	10.31	12.31	1.0	11	.25	.31	.56	.63	13	12	12	12	
1414PHG6	1414PHG6LP	8	6	6.0	6.75	4.88	5.51	8.75	4	5.64	9.5	8.31	6.31	1.0	5	.31	.25	.63	.56	8	7	7	7	
1414PHI6	1414PHI6LP	10	8	6.0	8.75	6.88	5.51	10.75	6	5.64	11.5	10.31	8.31	1.0	7	.31	.25	.63	.56	12	10	10	10	
1414PHJ6	1414PHJ6LP	10	10	6.0	8.75	8.88	5.51	10.75	8	5.64	11.5	10.31	10.31	1.0	9	.31	.25	.63	.56	14	12	12	12	
1414PHL6	1414PHL6LP	12	12	6.0	10.75	10.88	5.51	12.75	10	5.64	13.5	12.31	12.31	1.0	11	.31	.25	.63	.56	17	15	15	15	
1414PHMH6	1414PHMH6LP	14	8	6.0	12.75	6.88	5.51	14.75	6	5.64	15.5	14.31	8.31	1.0	7	.31	.25	.63	.56	12	10	10	10	
1414PHM6	1414PHM6LP	14	12	6.0	12.75	10.88	5.51	14.75	10	5.64	15.5	14.31	12.31	1.0	11	.31	.25	.63	.56	19	17	17	17	
1414PHRM6	1414PHRM6LP	12	14	6.0	10.88	12.75	5.51	12.75	12	5.64	13.5	12.31	14.31	1.0	13	.25	.31	.56	.63	19	17	17	17	
1414PHN6	1414PHN6LP	16	10	6.0	14.75	8.88	5.51	16.75	8	5.64	17.5	16.31	10.31	1.0	9	.31	.25	.63	.56	18	15	15	15	
1414PHO6	1414PHO6LP	16	14	6.0	14.75	12.88	5.51	16.75	12	5.64	17.5	16.31	14.31	1.0	13	.31	.25	.63	.56	23	21	21	21	
1414PHRO6	1414PHRO6LP	14	16	6.0	12.88	14.75	5.51	14.75	14	5.64	15.5	14.31	16.31	1.0	15	.25	.31	.56	.63	23	21	21	21	
1414PHK8	1414PHK8LP	12	10	8.0	10.75	8.88	7.51	12.75	8	7.64	13.5	12.31	10.31	1.0	9	.31	.25	.63	.56	18	15	15	15	
1414PHM8	1414PHM8LP	14	12	8.0	12.75	10.88	7.51	14.75	10	7.64	15.5	14.31	12.31	1.0	11	.31	.25	.63	.56	20	18	18	18	
1414PHO8	1414PHO8LP	16	14	8.0	14.75	12.88	7.51	16.75	12	7.64	17.5	16.31	14.31	1.0	13	.31	.25	.63	.56	25	22	22	22	
1414PHO10	1414PHO10LP	16	14	10.0	14.75	12.88	9.51	16.75	12	9.64	17.5	16.31	14.31	1.0	13	.31	.25	.63	.56	26	23	23	23	

¹ Does not meet JIC requirements

1414 N4 PH Series Enclosures - NEMA 4, 12, 13

Continuous Hinge, Clamped Cover

Industrial Enclosures



**Inner
Panel
Included**



Junction Boxes

Application

- Designed for use as instrument enclosures, electric, hydraulic or pneumatic control housings, electrical junction boxes or terminal wiring enclosures.
- Provides protection where equipment may be hosed down or otherwise be very wet, or in outdoor applications for full weather protection.

Standards

- UL 508 Type 3R, 4, 12 and 13
- CSA Type 3R, 4, 12 and 13
- **Complies with**
 - NEMA Type 3R, 4, 12 and 13
 - JIC EGP-1-1967 unless marked¹
 - IEC 60529, IP66

Construction

- Body formed from 16 or 14 gauge steel. Covers are formed from 14 gauge steel.
- Smooth, continuously welded seams without knockouts, cutouts or holes.
- Welded brackets provide for enclosure mounting.
- Continuous hinged cover is secured with stainless steel clamps and screws.
- Stainless steel continuous hinge on door may be removed by pulling the stainless steel hinge pin.
- Seamless poured-in place gasket.
- All models larger than 4" x 4" include a removable 14 gauge inner panel.
- Internal threaded weld studs are provided for mounting inner panels.
- A bonding stud is provided on the door and a grounding stud is provided in the enclosure.

Finish

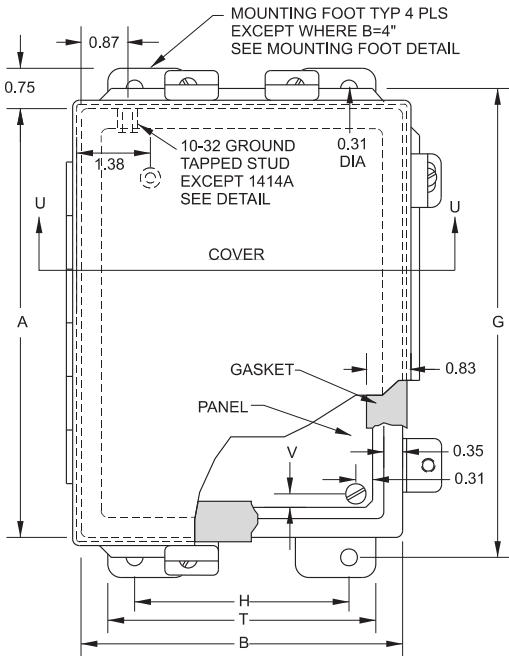
- Cover and enclosure are phosphatized, finished in recoatable smooth ANSI 61 gray powder coating.
- Removable inner panel is finished in white powder coating.

Accessories

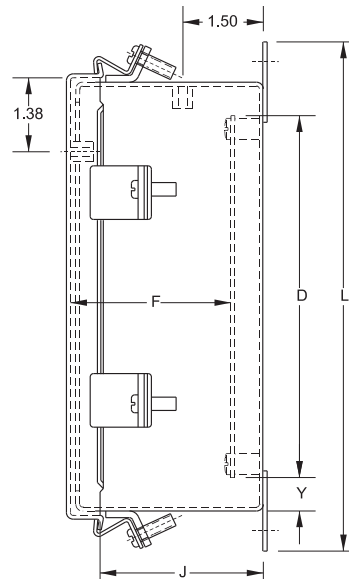
- Additional inner panels...*see page 436*
- Breather kits...*see page 400-401*
- Door clamping hardware
...*see page 429*
- Filter fans...*see page 371-384*
- Heaters...*see page 393-396*
- Louvered ventilating plates
...*see page 402*
- Terminal kit assemblies
...*see page 441*
- Thermostats...*see page 397*
- Swing panel...*see page 440*

1414 N4 PH Series Enclosures - NEMA 4, 12, 13

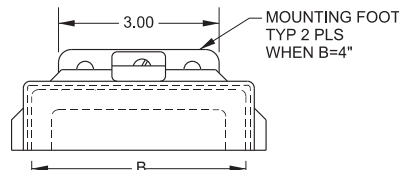
Continuous Hinge, Clamped Cover



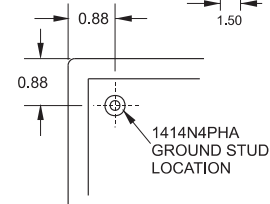
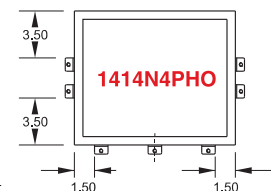
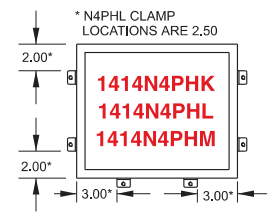
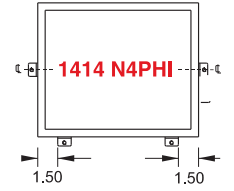
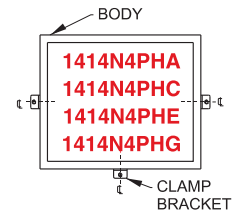
Front View



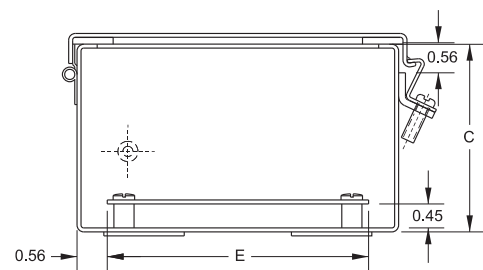
Side View



Mounting Foot Detail When B=4



Ground stud location for 1414N4PHA



Cross Section U-U

Part No.	Part No. without Inner Panel	Panel Dimensions										Cover Dimensions				Ship wt. with Panel	Ship wt. w/o Panel	
		A	B	C	D	E	F	G	H	J	L	T	V	Y				
—	1414N4PHA ¹	4	4	3.0	—	—	—	4.75	2	2.6	5.5	4.31	4.31	3	—	—	—	1
1414N4PHC ¹	1414N4PHCLP ¹	6	4	3.0	4.88	2.88	2.5	6.75	2	2.6	7.5	6.31	4.31	3	.31	.56	3	2
1414N4PHG	1414N4PHGLP	8	6	3.5	6.75	4.88	3.0	8.75	4	3.1	9.5	8.31	6.31	5	.25	.63	6	5
1414N4PHE	1414N4PHELP	6	6	4.0	4.88	4.88	3.5	6.75	4	3.6	7.5	6.31	6.31	5	.31	.56	5	4
1414N4PHI	1414N4PHILP	10	8	4.0	8.75	6.88	3.5	10.75	6	3.6	11.5	10.31	8.31	7	.25	.63	10	9
1414N4PHI6	1414N4PHI6LP	10	8	6.0	8.75	6.88	5.5	10.75	6	5.6	11.5	10.31	8.31	7	.25	.63	12	11
1414N4PHK	1414N4PHKLP	12	10	5.0	10.75	8.88	4.5	12.75	8	4.6	13.5	12.31	10.31	9	.25	.63	15	14
1414N4PHL6	1414N4PHL6LP	12	12	6.0	10.75	10.88	5.5	12.75	10	5.6	13.5	12.31	12.31	11	.25	.63	25	24
1414N4PHM6	1414N4PHM6LP	14	12	6.0	12.75	10.88	5.5	14.75	10	5.6	15.5	14.31	12.31	11	.25	.63	21	20
1414N4PHO6	1414N4PHO6LP	16	14	6.0	14.75	12.88	5.5	16.75	12	5.6	17.5	16.31	14.31	13	.25	.63	26	24
1414N4PHM8	1414N4PHM8LP	14	12	8.0	12.75	10.88	7.5	14.75	10	7.6	15.5	14.31	12.31	11	.25	.63	22	20
1414N4PHO10	1414N4PHO10LP	16	14	10.0	14.75	12.88	9.5	16.75	12	9.6	17.5	16.31	14.31	13	.25	.63	28	26

¹ Does not meet JIC requirements

1414 SC Series Enclosures - NEMA 12, 13

Lift Off, Screw Cover

Industrial Enclosures



**Inner
Panel
Included**



Junction Boxes

Application

- Designed for use as instrument enclosures, electric, hydraulic or pneumatic control housings, electrical junction boxes or terminal wiring enclosures.
- Provides a degree of protection from falling dirt, dust, oil and water.

Standards

- UL 508 Type 12 and 13
- CSA Type 12 and 13
- **Complies with**
 - NEMA Type 12 and 13
 - JIC EGP-1-1967 unless marked¹
 - IEC 60529, IP54

Construction

- Body formed from 16 gauge or 14 gauge steel. Covers are formed from 14 gauge steel.
- Smooth, continuously welded seams without knockouts, cutouts or holes.
- Welded brackets provide for enclosure mounting.
- Cover is secured with captive, plated steel screws, threaded into sealed wells.
- Oil resistant gaskets are permanently secured.
- Models larger than 4" x 4" include a removable 14 gauge inner panel.
- Internal threaded weld studs are provided for mounting inner panels.
- A bonding stud is provided on the door and a grounding stud is provided in the enclosure.

Finish

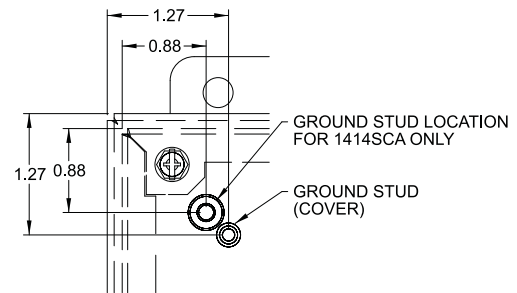
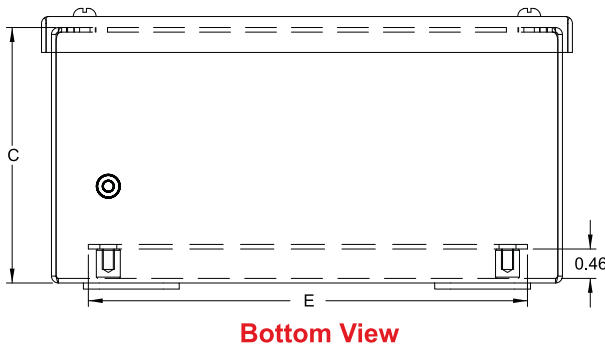
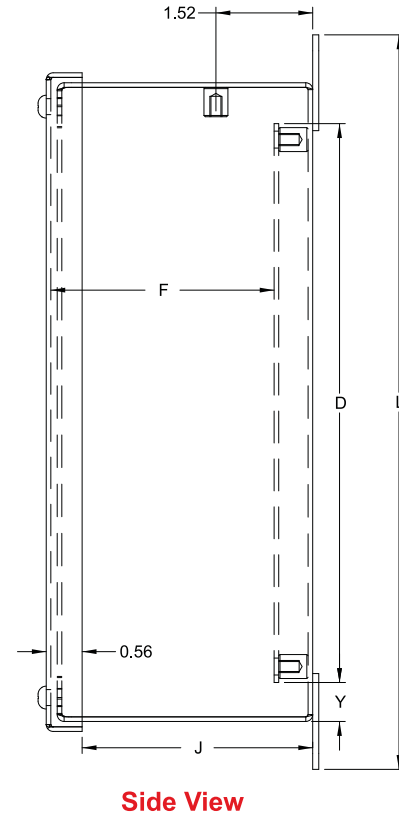
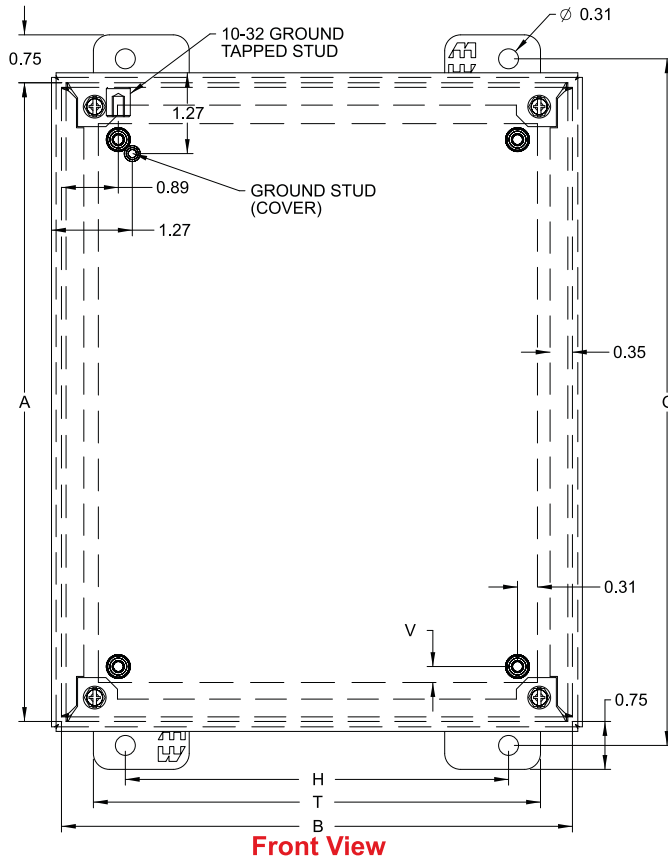
- Cover and enclosure are phosphatized and finished in ANSI 61 gray recoatable powder coating.
- Removable inner panel is finished in white powder coating.

Accessories

- Additional inner panels...see page **436**
- Breather kits...see page **400-401**
- Filter fans...see page **371-384**
- Heaters...see page **393-396**
- Louvered ventilating plates
...see page **402**
- Terminal kit assemblies
...see page **441**
- Thermostats...see page **397**
- Swing panel...see page **440**

1414 SC Series Enclosures - NEMA 12, 13

Lift Off, Screw Cover



Industrial Enclosures

Junction Boxes

Part No.	Panel Size			Centers					Cover Dimensions				Ship Wt. lbs			
	A	B	C	D	E	F	G	H	J	L	T	V		Y		
1414SCA ¹	4	4	3.0	—	—	—	4.75	2	2.64	5.5	3	4.31	4.31	—	—	2
1414SCC ¹	6	4	3.0	4.87	2.87	2.51	6.75	2	2.64	7.5	3	6.31	4.31	0.31	0.56	3
1414SCG	8	6	3.5	6.75	4.87	3.01	8.75	4	3.14	9.5	5	8.31	6.31	0.25	0.63	6
1414SCE	6	6	4.0	4.87	4.87	3.51	6.75	4	3.64	7.5	5	6.31	6.31	0.31	0.56	5
1414SCI	10	8	4.0	8.75	6.87	3.51	10.75	6	3.64	11.5	7	10.31	8.31	0.25	0.63	10
1414SCK	12	10	5.0	10.75	8.87	4.51	12.75	8	4.64	13.5	9	12.31	10.31	0.25	0.63	14
1414SCM6	14	12	6.0	12.75	10.87	5.51	14.75	10	5.64	15.5	11	14.31	12.31	0.25	0.63	19
1414SCO6	16	14	6.0	14.75	12.87	5.51	16.75	12	5.64	17.5	13	16.31	14.31	0.25	0.63	24
1414SCM8	14	12	8.0	12.75	10.87	7.51	14.75	10	7.64	15.5	11	14.31	12.31	0.25	0.63	22
1414SCO10	16	14	10.0	14.75	12.87	9.51	16.75	12	9.64	17.5	13	16.31	14.31	0.25	0.63	29

¹ Does not meet JIC requirements

1436/1438 Series Junction Boxes - NEMA 12, 13

Lift Off, Screw Cover

Industrial Enclosures

Junction Boxes



1436 Standard Depth



1438 Extra Depth



Application

- Designed for use as instrument enclosures, electrical junction boxes or terminal wiring enclosures.
- Provides a degree of protection from falling dirt, dust, oil and water.

Standards

- UL 508 Type 12 and 13
- CSA Type 12 and 13
- **Complies with**
 - NEMA Type 12 and 13
 - IEC 60529, IP54

Construction

- Formed from 14 gauge steel.
- Smooth, continuously welded seams without knockouts, cutouts or holes.
- Welded brackets provide for enclosure mounting.
- Lift off cover is secured with captive, plated steel screws, and supported on internal hinges except as noted on charts.
- Cover screws fasten into threaded, sealed wells.
- Oil resistant gaskets are permanently secured.
- A bonding stud is provided on the door and a grounding stud is provided in the enclosure.

Finish

- Cover and enclosure are phosphatized and finished in ANSI 61 gray recoatable powder coating.

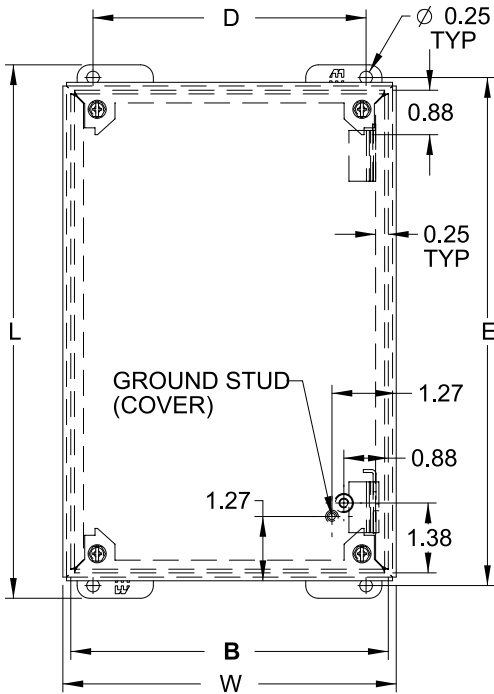
Standard Depth Series (1436)

Part No.	Centers					Overall Dimensions		Ship Wt. lbs
	A	B	C	D	E	L	W	
1436A ¹	3.50	3.25	2.75	2.38	4.00	4.50	3.56	2
1436B ¹	5.75	3.25	2.75	2.38	6.25	6.75	3.56	2
1436C ¹	8.00	3.25	2.75	2.38	8.50	9.00	3.56	3
1436D ¹	10.25	3.25	2.75	2.38	10.75	11.25	3.56	4
1436F	7.25	6.25	3.00	5.38	7.75	8.25	6.56	5
1436H	9.50	6.25	3.00	5.38	10.00	10.50	6.56	5
1436K	9.50	8.50	3.00	7.63	10.00	10.50	8.81	7
1436O	11.75	8.50	3.00	7.63	12.25	12.75	8.81	8
1436S	11.75	10.75	3.00	9.88	12.25	12.75	11.06	9
1436V	14.00	10.75	3.00	9.88	14.50	15.00	11.06	11

¹ Not hinged

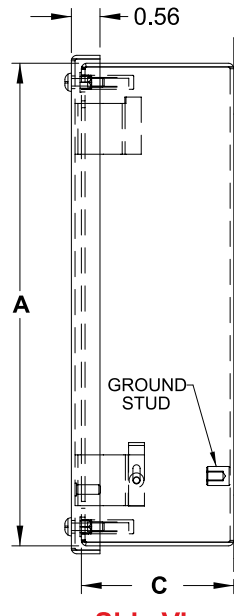
1436/1438 Series Junction Boxes - NEMA 12, 13

Lift Off, Screw Cover

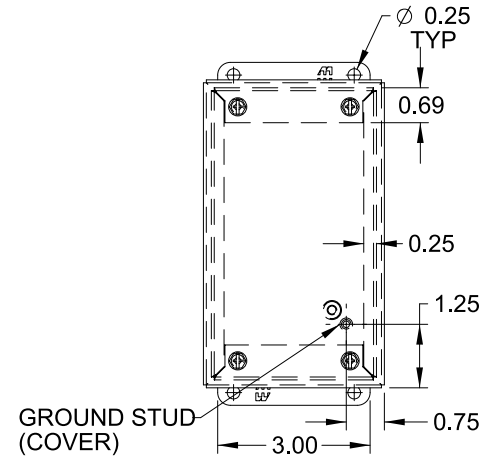


Front View

Body Type 1436F through V
Body Type 1438B through V
(Hinged)

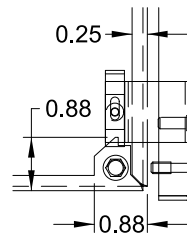


Side View



Front View

Body Type 1436A through D
Body Type 1438A
(Not Hinged)



Hinge Detail

Retractable pin allows door to be mounted on left or right side

Industrial Enclosures

Junction Boxes

Extra Deep Series (1438)

Part No.	Centers					Overall Dimensions		Ship Wt. lbs
	A	B	C	D	E	L	W	
1438A ¹	4.00	4.00	4.75	3.13	4.50	5.00	4.31	3
1438B	6.00	4.00	4.75	3.13	6.50	7.00	4.31	4
1438C	8.00	4.00	4.75	3.13	8.50	9.00	4.31	5
1438D	10.00	4.00	4.75	3.13	10.50	11.00	4.31	5
1438F	7.25	6.25	4.75	5.38	7.75	8.25	6.56	5
1438H	9.50	6.25	4.75	5.38	10.00	10.50	6.56	5
1438K	9.50	8.50	4.75	7.63	10.00	10.50	8.81	7
1438O	11.75	8.50	4.75	7.63	12.25	12.75	8.81	8
1438S	11.75	10.75	4.75	9.88	12.25	12.75	11.06	9
1438V	14.00	10.75	4.75	9.88	14.50	15.00	11.06	11

¹ Not hinged

1418J Series - NEMA 12

Industrial Enclosures



Junction Boxes

Application

- Designed to house electrical, electronic, hydraulic or pneumatic controls and instruments.
- Provides a degree of protection from falling dirt, dust, oil and water.

Standards

- UL 508 Type 12
- **Complies with**
 - NEMA Type 12
 - JIC EGP-1-1967 unless marked¹
 - IEC 60529, IP54

Construction

- Formed from 14 gauge steel.
- Smooth, continuously welded seams without knockouts, cutouts or holes.
- Door and body stiffeners are provided in the larger enclosures for extra rigidity.
- Welded brackets provide for enclosure mounting.
- Continuously hinged cover is secured with plated screws, threaded into sealed wells.
- Oil resistant gaskets are permanently secured.
- A removable 12 gauge inner panel is included.
- Collar studs are provided for mounting inner panels.
- A bonding stud is provided on the door and a grounding stud is provided in the enclosure.
- A literature pocket is provided for the inside of the door.

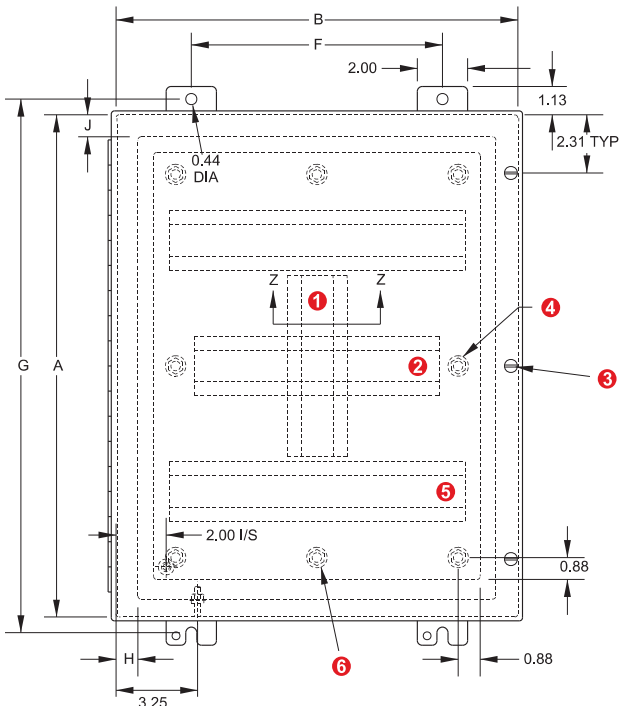
Finish

- Cover and enclosure are phosphatized and finished in ANSI 61 gray recoatable powder coating.
- Removable inner panel is finished in white powder coating.

Accessories

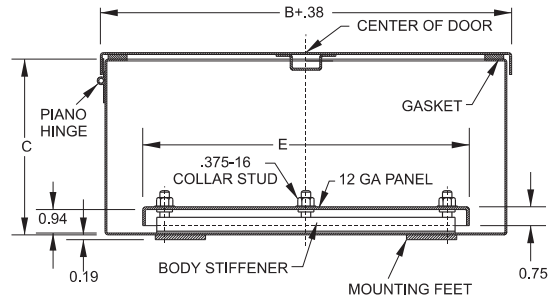
- Additional inner panels...see page **436**
- Breather kits...see page **400-401**
- Filter fans...see page **371-384**
- Heaters...see page **393-396**
- Louvered ventilating plates
...see page **402**
- Terminal kit assemblies
...see page **441**
- Thermostats...see page **397**
- Window kits...see page **449**
- Swing panel...see page **440**

1418J Series - NEMA 12

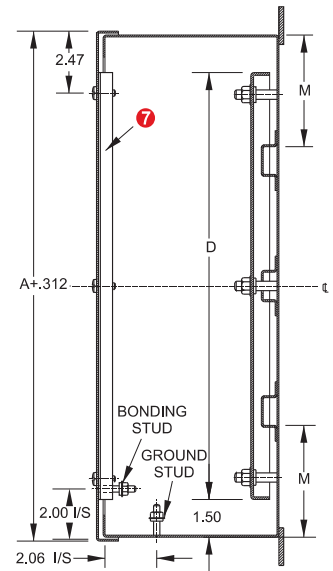


Front View

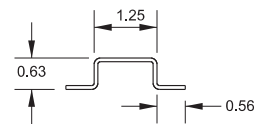
- 1 Vertical body stiffener req'd on M only
- 2 Omit center body stiffener if A is less than 41"
- 3 Omit if A is less than 31"
- 4 Omit 2 center studs if A is less than 31"
- 5 Omit body stiffeners if B is less than 29"
- 6 Omit 2 middle studs if B is less than 31"
- 7 Omit door stiffener if A or B is 24" or less



Top View



Side View



Section Z-Z

Part No.	Panel Dimensions					Centers				Ship Wt. lbs
	A	B	C	D	E	F	G	H	J	
1418JB7	16	12	7	13	9	6	17.25	0.88	0.50	30
1418JC7	20	16	7	17	13	10	21.25	0.88	0.88	38
1418JD7	20	20	7	17	17	14	21.25	0.88	0.50	45
1418JE7	24	20	7	21	17	14	25.25	0.88	0.50	54
1418JJ7	24	24	7	21	21	18	25.25	0.88	0.50	63
1418JF7	30	20	7	27	17	14	31.25	0.88	0.50	70
1418JK7	30	24	7	27	21	18	31.25	0.88	0.50	78
1418JL7	36	24	7	33	21	18	37.25	0.88	0.50	90
1418JC9	20	16	9	17	13	10	21.25	0.88	0.50	42
1418JD9	20	20	9	17	17	14	21.25	0.88	0.50	45
1418JE9	24	20	9	21	17	14	25.25	0.88	0.50	60
1418JJ9	24	24	9	21	21	18	25.25	0.88	0.50	67
1418JK9	30	24	9	27	21	18	31.25	0.88	0.50	85
1418JF9	30	20	9	27	17	14	31.25	0.88	0.50	70
1418JM9	36	30	9	33	27	24	37.25	1.38	1.38	120
1418JL9	36	24	9	33	21	18	37.25	0.88	0.50	100
1418JO9 ¹	42	30	9	39	27	24	43.25	1.38	1.38	137
1418JP9 ¹	42	36	9	39	33	30	43.25	1.38	1.38	165
1418JJ11	24	24	11	21	21	18	25.25	0.88	0.50	73
1418JL11	36	24	11	33	21	18	37.25	0.88	0.50	107
1418JS11 ¹	48	36	11	45	33	30	49.25	1.38	1.38	187
1418JK13	30	24	13	27	21	18	31.25	0.88	0.50	94
1418JM13	36	30	13	33	27	24	37.25	1.38	1.38	131

¹ Does not meet JIC requirements

Eclipse Series - NEMA 4, 12

Single Door Enclosures

Industrial Enclosures

Wallmount Enclosures



Single Door with latching handle



Single Door with quarter turns



Single Door with multi-point latching handle and quarter turns

Panel Sold Separately



Application

- Designed to enclose electrical and/or electronic equipment and protect against harsh, industrial environments for wallmount applications.
- Impressive styling features like hidden hinges, attractive latching systems make the Eclipse a suitable addition to any high-tech equipment installation.
- A wide range of sizes and practical accessories make this product line a complete package.

Standards

- UL 508 Type 3R, 4, and 12
- CSA Type 3R, 4, and 12
- **Complies with**
 - NEMA Type 3R, 4, and 12
 - IEC 60529, IP66

Construction

- Formed 14 or 16 gauge steel.
- Smooth, continuously welded seams ground smooth.
- Door stiffeners are provided where required for increased strength and rigidity - designed to also permit additional mounting options.
- Formed lip on enclosure to exclude flowing liquids and contaminants.
- Door latches feature the added safety of quarter turn slot requiring use of tool for opening.
- Doors may be easily removed for modifications and are interchangeable.
- Seamless poured-in place gasket.
- Collar studs provided for mounting inner panel.
- Includes hardware kit with panel mounting nuts and sealing washers for wall mounting holes.
- Bonding stud provided on door and grounding stud installed in enclosure
- Hinges are constructed from 304 stainless steel.
- Hinge pins are stainless steel.
- Quarter turn latch and multi-point handle (key lockable) are zinc diecast with black epoxy finish.
- Door alignment guide provided on 36" wide enclosures.

Finish

- Cover and enclosure are phosphatized and finished with a recoatable powder inside and out with choice of ANSI 61 smooth Gray (GY) or RAL7035 textured light gray (LG).

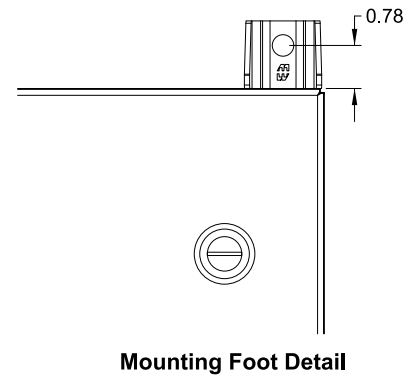
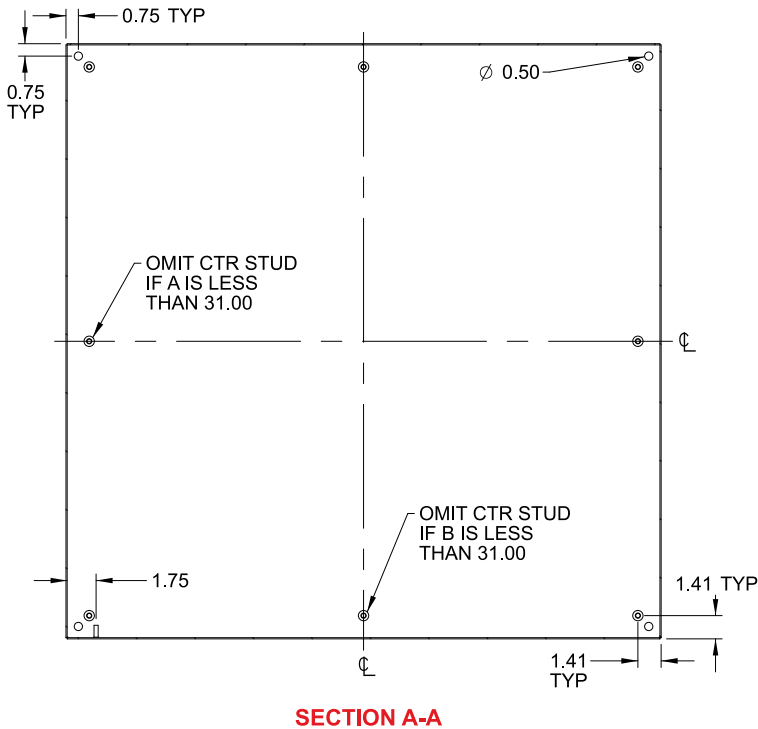
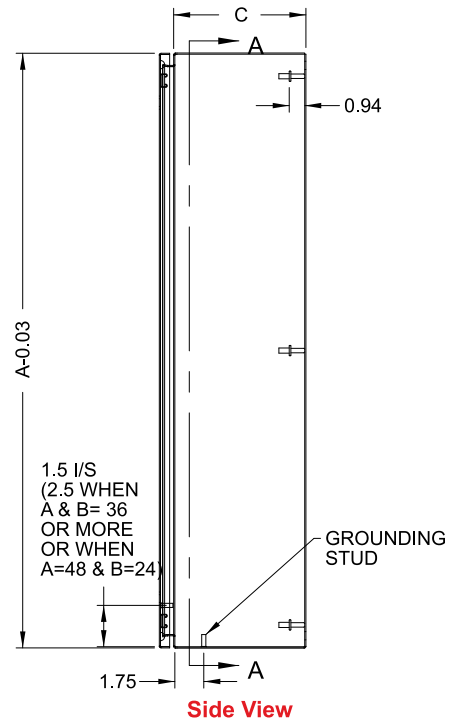
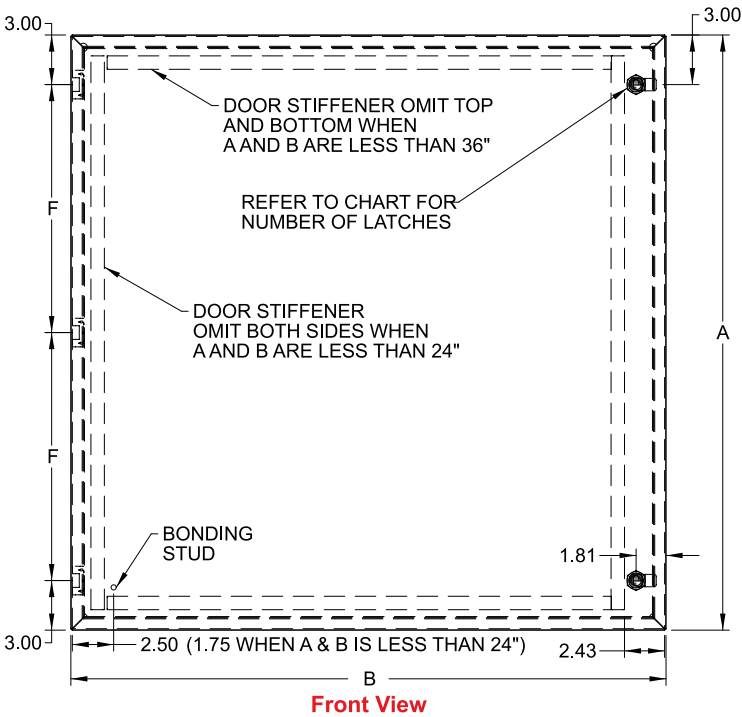
Accessories

- Air conditioners...see page **349-367**
- Blowers...see page **392**
- Breather kits...see page **400-401**
- DIN rails...see page **30**
- DIN rail mounting kit...see page **30**
- Door stop kit...see page **453**
- Drip shield kit...see page **451**
- Filter fans...see page **371-384**
- Gland Plates...see page **446**
- Heaters...see page **393-396**
- Handles...see page **31**
- Inner panel...see page **29**
- Quarter turn inserts and keys ...see page **31**
- Literature pocket...see page **456**
- Mounting foot kit...see page **31**
- Swing frame...see page **30**
- Swing panel...see page **29**
- Rear Hole Plugs...see page **32**
- Replacement hinge pins...see page **29**
- Replacement quarter turn assemblies...see page **31**
- Thermostats...see page **397**
- Touch up paint...see page **455**
- UL/CSA approved hardware kit ...see page **433**
- Padlock Adapter (EPA)...see page **434**

Eclipse Series - NEMA 4, 12
Single Door Enclosures

Industrial Enclosures

Wallmount Enclosures



Refer to part number and dimension chart on next page

Eclipse Series - NEMA 4, 12

Single Door Enclosures

Industrial Enclosures

Wallmount Enclosures

Part No. (ANSI 61 Gray)	Part No. (RAL7035 Light Gray)	Overall Dimensions			Door/ Body Gauge	Latches		Opt. Panel Part No.	Panel Size		# Hinges	F	Ship Wt. Lbs.
		A	B	C		Qty	Type		D	E			
EN4SD12126GY	EN4SD12126LG	12	12	6	16	1	Qtr Turn	EP1212	10.2	10.2	2	6	12
EN4SD12246GY	EN4SD12246LG	12	24	6	16	1	Qtr Turn	EP1224	10.2	22.2	2	18	24
EN4SD16126GY	EN4SD16126LG	16	12	6	16	1	Qtr Turn	EP1612	14.2	10.2	2	10	16
EN4SD16166GY	EN4SD16166LG	16	16	6	16	1	Qtr Turn	EP1616	14.2	14.2	2	10	19
EN4SD16206GY	EN4SD16206LG	16	20	6	16	1	Qtr Turn	EP1620	14.2	18.2	2	10	22
EN4SD20126GY	EN4SD20126LG	20	12	6	16	1	Qtr Turn	EP2012	18.2	10.2	2	14	20
EN4SD20166GY	EN4SD20166LG	20	16	6	16	1	Qtr Turn	EP2016	18.2	14.2	2	14	22
EN4SD20206GY	EN4SD20206LG	20	20	6	16	1	Qtr Turn	EP2020	18.2	18.2	2	14	26
EN4SD20246GY	EN4SD20246LG	20	24	6	16	1	Qtr Turn	EP2412	22.2	10.2	2	14	32
EN4SD24126GY	EN4SD24126LG	24	12	6	16	1	Qtr Turn	EP2412	22.2	10.2	2	18	24
EN4SD24166GY	EN4SD24166LG	24	16	6	16	1	Qtr Turn	EP2416	22.2	14.2	2	18	26
EN4SD24206GY	EN4SD24206LG	24	20	6	16	1	Qtr Turn	EP2420	22.2	18.2	2	18	30
EN4SD24246GY	EN4SD24246LG	24	24	6	14	2	Qtr Turn	EP2424	22.2	22.2	2	18	37
EN4SD30166GY	EN4SD30166LG	30	16	6	14	2	Qtr Turn	EP3016	28.2	14.2	3	12	35
EN4SD30206GY	EN4SD30206LG	30	20	6	14	2	Qtr Turn	EP3020	28.2	18.2	3	12	38
EN4SD30246GY	EN4SD30246LG	30	24	6	14	2	Qtr Turn	EP3024	28.2	22.2	3	12	40
EN4SD36246GY	EN4SD36246LG	36	24	6	14	2	Qtr Turn	EP3624	34.2	22.2	3	15	52
EN4SD36306GY	EN4SD36306LG	36	30	6	14	2	Qtr Turn	EP3630	34.2	28.2	3	15	60
EN4SD12248GY	EN4SD12248LG	12	24	8	16	1	Qtr Turn	EP1224	10.2	22.2	2	6	25
EN4SD16128GY	EN4SD16128LG	16	12	8	16	1	Qtr Turn	EP1612	14.2	10.2	2	10	16
EN4SD16168GY	EN4SD16168LG	16	16	8	16	1	Qtr Turn	EP1616	14.2	14.2	2	10	21
EN4SD16208GY	EN4SD16208LG	16	20	8	16	1	Qtr Turn	EP1620	14.2	18.2	2	10	25
EN4SD20128GY	EN4SD20128LG	20	12	8	16	1	Qtr Turn	EP2012	18.2	10.2	2	14	22
EN4SD20168GY	EN4SD20168LG	20	16	8	16	1	Qtr Turn	EP2016	18.2	14.2	2	14	25
EN4SD20208GY	EN4SD20208LG	20	20	8	16	1	Qtr Turn	EP2020	18.2	18.2	2	14	28
EN4SD20248GY	EN4SD20248LG	20	24	8	16	1	Qtr Turn	EP2024	18.2	22.2	2	14	32
EN4SD24128GY	EN4SD24128LG	24	12	8	16	1	Qtr Turn	EP2412	22.2	10.2	2	18	25
EN4SD24168GY	EN4SD24168LG	24	16	8	16	1	Qtr Turn	EP2416	22.2	14.2	2	18	26
EN4SD24208GY	EN4SD24208LG	24	20	8	16	1	Qtr Turn	EP2420	22.2	18.2	2	18	32
EN4SD24248GY	EN4SD24248LG	24	24	8	14	2	Qtr Turn	EP2424	22.2	22.2	2	18	40
EN4SD24308GY	EN4SD24308LG	24	30	8	14	2	Qtr Turn	EP2430	22.2	28.2	2	18	48
EN4SD30128GY	EN4SD30128LG	30	12	8	14	2	Qtr Turn	EP3012	28.2	10.2	3	12	34
EN4SD30168GY	EN4SD30168LG	30	16	8	14	2	Qtr Turn	EP3016	28.2	14.2	3	12	40
EN4SD30208GY	EN4SD30208LG	30	20	8	14	2	Qtr Turn	EP3020	28.2	18.2	3	12	42
EN4SD30248GY	EN4SD30248LG	30	24	8	14	2	Qtr Turn	EP3024	28.2	22.2	3	12	46
EN4SD30308GY	EN4SD30308LG	30	30	8	14	2	Qtr Turn	EP3030	28.2	28.2	3	12	67
EN4SD30368GY	EN4SD30368LG	30	36	8	14	2	Qtr Turn	EP3036	28.2	34.2	3	12	77
EN4SD36248GY	EN4SD36248LG	36	24	8	14	2	Qtr Turn	EP3624	34.2	22.2	3	15	55
EN4SD36308GY	EN4SD36308LG	36	30	8	14	2	Qtr Turn	EP3630	34.2	28.2	3	15	77
EN4SD36368GY	EN4SD36368LG	36	36	8	14	2	Qtr Turn	EP3636	34.2	34.2	3	15	94
EN4SD42248GY	EN4SD42248LG	42	24	8	14	1	3-point	EP4224	40.2	22.2	4	12	80
EN4SD42308GY	EN4SD42308LG	42	30	8	14	1	3-point	EP4230	40.2	28.2	4	12	95
EN4SD42368GY	EN4SD42368LG	42	36	8	14	1	3-point	EP4236	40.2	34.2	4	12	105
EN4SD48248GY	EN4SD48248LG	48	24	8	14	1	3-point	EP4824	46.2	22.2	4	14	110
EN4SD48308GY	EN4SD48308LG	48	30	8	14	1	3-point	EP4830	46.2	28.2	4	14	115
EN4SD48368GY	EN4SD48368LG	48	36	8	14	1	3-point	EP4836	46.2	34.2	4	14	120
EN4SD60368GY	EN4SD60368LG	60	36	8	14	1	3-point	EP6036	58.2	34.2	4	18	150
EN4SD161210GY	EN4SD161210LG	16	12	10	16	1	Qtr. Turn	EP1612	14.2	10.2	2	10	18
EN4SD161610GY	EN4SD161610LG	16	16	10	16	1	Qtr. Turn	EP1616	14.2	14.2	2	10	23
EN4SD162010GY	EN4SD162010LG	16	20	10	16	1	Qtr. Turn	EP1620	14.2	18.2	2	10	28
EN4SD201610GY	EN4SD201610LG	20	16	10	16	1	Qtr. Turn	EP2016	18.2	14.2	2	14	28
EN4SD202010GY	EN4SD202010LG	20	20	10	16	1	Qtr. Turn	EP2020	18.2	18.2	2	14	31
EN4SD202410GY	EN4SD202410LG	20	24	10	16	1	Qtr. Turn	EP2024	18.2	22.2	2	14	36
EN4SD241210GY	EN4SD241210LG	24	12	10	16	1	Qtr Turn	EP2412	22.2	10.2	2	18	26

Technical references and CAD downloads available at www.hammondmfg.com

All dimensions in inches unless specified otherwise

Eclipse Series - NEMA 4, 12

Single Door Enclosures

Part No. (ANSI 61 Gray)	Part No. (RAL7035 Light Gray)	Overall Dimensions			Door/ Body Gauge	Latches		Opt. Panel Part No.	Panel Size		# Hinges	F	Ship Wt. Lbs.
		A	B	C		Qty	Type		D	E			
EN4SD241610GY	EN4SD241610LG	24	16	10	16	1	Qtr. Turn	EP2416	22.2	14.2	2	18	30
EN4SD242010GY	EN4SD242010LG	24	20	10	16	1	Qtr. Turn	EP2420	22.2	18.2	2	18	36
EN4SD242410GY	EN4SD242410LG	24	24	10	14	2	Qtr. Turn	EP2424	22.2	22.2	2	18	45
EN4SD243010GY	EN4SD243010LG	24	30	10	14	2	Qtr. Turn	EP2430	22.2	28.2	2	18	53
EN4SD302010GY	EN4SD302010LG	30	20	10	14	2	Qtr. Turn	EP3020	28.2	18.2	3	12	47
EN4SD302410GY	EN4SD302410LG	30	24	10	14	2	Qtr. Turn	EP3024	28.2	22.2	3	12	53
EN4SD303010GY	EN4SD303010LG	30	30	10	14	2	Qtr. Turn	EP3030	28.2	28.2	3	12	75
EN4SD362410GY	EN4SD362410LG	36	24	10	14	2	Qtr. Turn	EP3624	34.2	22.2	3	15	70
EN4SD363010GY	EN4SD363010LG	36	30	10	14	2	Qtr. Turn	EP3630	34.2	28.2	3	15	84
EN4SD363610GY	EN4SD363610LG	36	36	10	14	2	Qtr. Turn	EP3636	34.2	34.2	3	15	100
EN4SD423010GY	EN4SD423010LG	42	30	10	14	1	3-point	EP4230	40.2	28.2	4	12	107
EN4SD423610GY	EN4SD423610LG	42	36	10	14	1	3-point	EP4236	40.2	34.2	4	12	117
EN4SD482410GY	EN4SD482410LG	48	24	10	14	1	3-point	EP4824	46.2	22.2	4	14	95
EN4SD483010GY	EN4SD483010LG	48	30	10	14	1	3-point	EP4830	46.2	28.2	4	14	120
EN4SD483610GY	EN4SD483610LG	48	36	10	14	1	3-point	EP4836	46.2	34.2	4	14	125
EN4SD603610GY	EN4SD603610LG	60	36	10	14	1	3-point	EP6036	58.2	34.2	4	18	150
EN4SD201612GY	EN4SD201612LG	20	16	12	16	1	Qtr Turn	EP2016	18.2	14.2	2	14	32
EN4SD202012GY	EN4SD202012LG	20	20	12	16	1	Qtr Turn	EP2020	18.2	18.2	2	14	34
EN4SD242012GY	EN4SD242012LG	24	20	12	16	1	Qtr Turn	EP2420	22.2	18.2	2	18	38
EN4SD242412GY	EN4SD242412LG	24	24	12	14	2	Qtr Turn	EP2424	22.2	22.2	2	18	47
EN4SD302412GY	EN4SD302412LG	30	24	12	14	2	Qtr Turn	EP3024	28.2	22.2	3	12	57
EN4SD303012GY	EN4SD303012LG	30	30	12	14	2	Qtr Turn	EP3030	28.2	28.2	3	12	80
EN4SD362412GY	EN4SD362412LG	36	24	12	14	2	Qtr Turn	EP3624	34.2	22.2	3	15	62
EN4SD363012GY	EN4SD363012LG	36	30	12	14	2	Qtr Turn	EP3630	34.2	28.2	3	15	91
EN4SD363612GY	EN4SD363612LG	36	36	12	14	2	Qtr Turn	EP3636	34.2	34.2	3	15	104
EN4SD423012GY	EN4SD423012LG	42	30	12	14	1	3-point	EP4230	40.2	28.2	4	12	111
EN4SD423612GY	EN4SD423612LG	42	36	12	14	1	3-point	EP4236	40.2	34.2	4	12	121
EN4SD482412GY	EN4SD482412LG	48	24	12	14	1	3-point	EP4824	46.2	22.2	4	14	98
EN4SD483612GY	EN4SD483612LG	48	36	12	14	1	3-point	EP4836	46.2	34.2	4	14	148
EN4SD603612GY	EN4SD603612LG	60	36	12	14	1	3-point	EP6036	58.2	34.2	4	18	165
EN4SD723012GY	EN4SD723012LG	72	30	12	14	2	Qtr Turn, 5-point	EP7230	70.2	28.2	5	16.5	190
EN4SD723612GY	EN4SD723612LG	72	36	12	14	2	Qtr Turn, 5-point	EP7236	70.2	34.2	5	16.5	195
EN4SD242016GY	EN4SD242016LG	24	20	16	16	1	Qtr Turn	EP2420	22.2	18.2	2	18	52
EN4SD242416GY	EN4SD242416LG	24	24	16	14	2	Qtr Turn	EP2424	22.2	22.2	2	18	66
EN4SD302416GY	EN4SD302416LG	30	24	16	14	2	Qtr Turn	EP3024	28.2	22.2	3	12	85
EN4SD363016GY	EN4SD363016LG	36	30	16	14	2	Qtr Turn	EP3630	34.2	28.2	3	15	102
EN4SD423616GY	EN4SD423616LG	42	36	16	14	1	3-point	EP4236	40.2	34.2	4	12	140
EN4SD483616GY	EN4SD483616LG	48	36	16	14	1	3-point	EP4836	46.2	34.2	4	14	148
EN4SD603616GY	EN4SD603616LG	60	36	16	14	1	3-point	EP6036	58.2	34.2	4	18	200
EN4SD723016GY	EN4SD723016LG	72	30	16	14	2	Qtr Turn, 5-point	EP7230	70.2	28.2	5	16.5	215
EN4SD723616GY	EN4SD723616LG	72	36	16	14	2	Qtr Turn, 5-point	EP7236	70.2	34.2	5	16.5	217
EN4SD242420GY	EN4SD242420LG	24	24	20	14	2	Qtr Turn	EP2424	22.2	22.2	2	18	70
EN4SD302420GY	EN4SD302420LG	30	24	20	14	2	Qtr Turn	EP3024	28.2	22.2	3	12	82
EN4SD363020GY	EN4SD363020LG	36	30	20	14	2	Qtr Turn	EP3630	34.2	28.2	3	15	117
EN4SD483620GY	EN4SD483620LG	48	36	20	14	1	3-point	EP4836	46.2	34.2	4	14	165
EN4SD603620GY	EN4SD603620LG	60	36	20	14	1	3-point	EP6036	58.2	34.2	4	18	210
EN4SD723020GY	EN4SD723020LG	72	30	20	14	2	Qtr Turn, 5-point	EP7230	70.2	28.2	5	16.5	217
EN4SD302424GY	EN4SD302424LG	30	24	24	14	2	Qtr Turn	EP3024	28.2	22.2	3	12	115
EN4SD723024GY	EN4SD723024LG	72	30	24	14	2	Qtr Turn, 5-point	EP7230	70.2	28.2	5	16.5	220

Technical references and CAD downloads available at www.hammondmfg.com

All dimensions in inches unless specified otherwise

Quality Products. Service Excellence.

Eclipse Series - NEMA 4, 12

Single Window Door Enclosures

Industrial Enclosures

Wallmount Enclosures



**Panel
Sold
Separately**



Application

- Designed to enclose electrical and/or electronic equipment in wallmount applications where viewing of component operation is necessary while maintaining protection ratings.
- Impressive styling features like hidden hinges, attractive latching systems make the Eclipse a suitable addition to any high-tech equipment installation.
- A wide range of sizes and practical accessories make this product line a complete package.

Standards

- UL 508 Type 3R, 4 and 12
- CSA Type 3R, 4 and 12
- **Complies with**
 - NEMA 3R, 4 and 12
 - IEC 60529, IP66

Construction

- Formed 14 or 16 gauge steel.
- Full view UV resistant polycarbonate window allow maximum viewing area of inner panel.
- Smooth, continuously welded seams ground smooth.
- Door stiffeners are provided where required for increased strength and rigidity - designed to also permit additional mounting options.
- Formed lip on enclosure to exclude flowing liquids and contaminants.
- Door latches feature the added safety of quarter turn slot requiring use of tool for opening.
- Doors may be easily removed for modifications and are interchangeable.
- Seamless poured-in place gasket.
- Collar studs provided for mounting inner panel.
- Includes hardware kit with panel mounting nuts and sealing washers for wall mounting holes.
- Bonding stud provided on door and grounding stud installed in enclosure.
- Hinges are constructed from 304 stainless steel.
- Hinge pins are stainless steel.
- Quarter turn latches are zinc diecast with black epoxy finish.

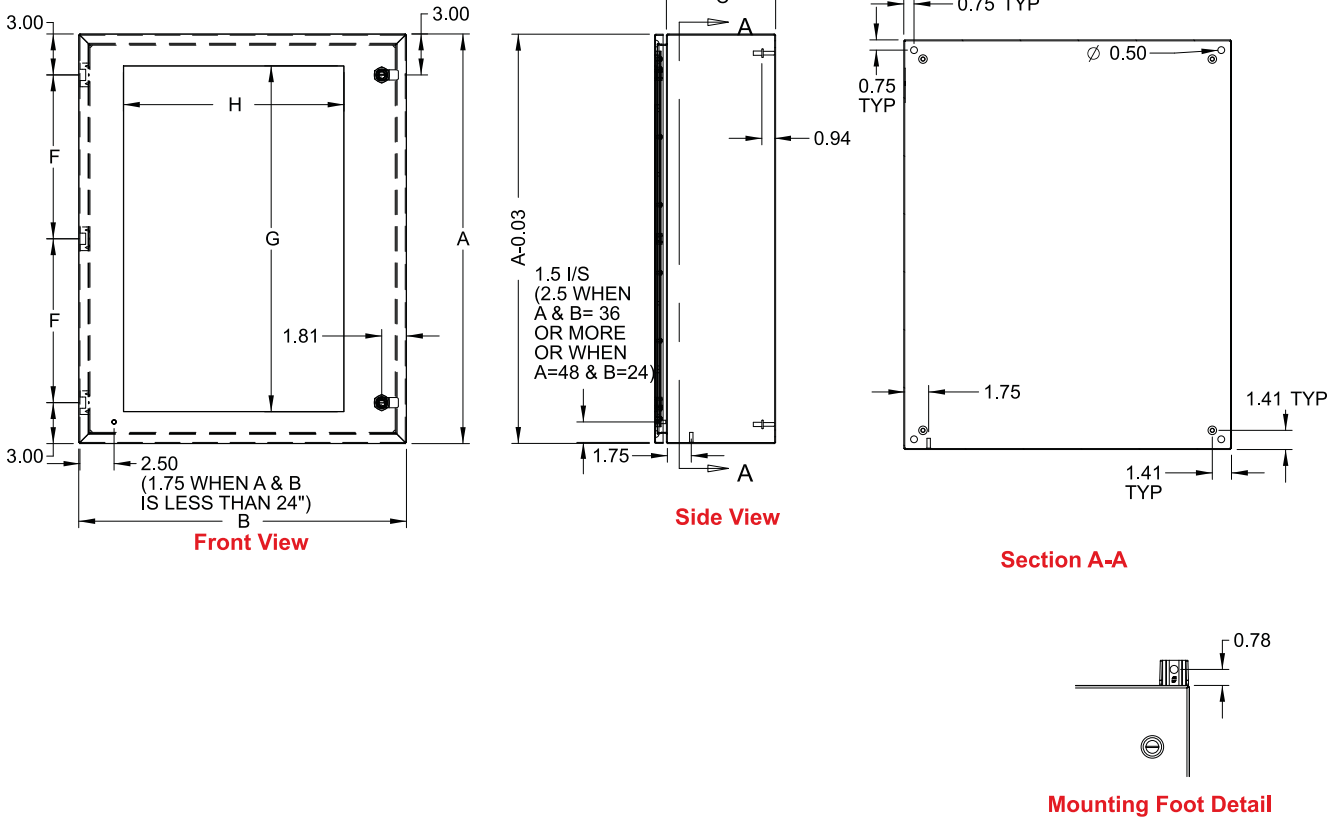
Finish

- Cover and enclosure are phosphatized and finished with a recoatable powder inside and out with choice of ANSI 61 smooth Gray (GY) or RAL7035 textured light gray (LG).

Accessories

- Air conditioners...see page **349-367**
- Blowers...see page **392**
- Breather kits...see page **400-401**
- DIN rails...see page **30**
- DIN rail mounting kit...see page **30**
- Door stop kit...see page **453**
- Drip shield kit...see page **451**
- Filter fans...see page **371-384**
- Gland Plates...see page **446**
- Heaters...see page **393-396**
- Handles...see page **31**
- Inner panel...see page **29**
- Quarter turn inserts and keys ...see page **31**
- Literature pocket...see page **456**
- Mounting foot kit...see page **31**
- Swing frame...see page **30**
- Swing panel...see page **29**
- Rear Hole Plugs...see page **32**
- Replacement hinge pins...see page **29**
- Replacement quarter turn assemblies...see page **31**
- Thermostats...see page **397**
- Touch up paint...see page **455**
- UL/CSA approved hardware kit ...see page **433**
- Padlock Adapter (EPA)...see page **434**

Eclipse Series - NEMA 4, 12 Single Window Door Enclosures



Part No. (ANSI 61 Gray)	Part No. (RAL7035 Light Gray)	Overall Dimensions			Door/ Body Gauge	Latch ¹ Qty	Hinge Qty	F	Viewing Area			Optional Panel Part No.	Inner Panel Dimensions			Ship Wt. lbs
		A	B	C					G	H	D		E			
EN4SD16126WGY	EN4SD16126WLG	16	12	6	16	1	2	10	11.33	6.71	EP1612	14.2	10.2	16		
EN4SD20166WGY	EN4SD20166WLG	20	16	6	16	1	2	14	15.33	10.71	EP2016	18.2	14.2	22		
EN4SD20206WGY	EN4SD20206WLG	20	20	6	16	1	2	14	15.33	14.71	EP2020	18.2	18.2	26		
EN4SD24206WGY	EN4SD24206WLG	24	20	6	16	1	2	18	19.33	14.71	EP2420	22.2	18.2	30		
EN4SD24246WGY	EN4SD24246WLG	24	24	6	14	2	2	18	19.33	16.15	EP2424	22.2	22.2	37		
EN4SD16128WGY	EN4SD16128WLG	16	12	8	16	1	2	10	11.33	6.71	EP1612	14.2	10.2	16		
EN4SD20168WGY	EN4SD20168WLG	20	16	8	16	1	2	14	15.33	10.71	EP2016	18.2	14.2	25		
EN4SD20208WGY	EN4SD20208WLG	20	20	8	16	1	2	14	15.33	14.71	EP2020	18.2	18.2	28		
EN4SD24208WGY	EN4SD24208WLG	24	20	8	16	1	2	18	19.33	14.71	EP2420	22.2	18.2	32		
EN4SD24248WGY	EN4SD24248WLG	24	24	8	14	2	2	18	19.33	16.15	EP2424	22.2	22.2	40		
EN4SD30248WGY	EN4SD30248WLG	30	24	8	14	2	3	12	25.33	16.15	EP3024	28.2	22.2	46		
EN4SD202012WGY	EN4SD202012WLG	20	20	12	16	1	2	18	15.33	14.71	EP2020	18.2	18.2	34		
EN4SD242012WGY	EN4SD242012WLG	24	20	12	16	1	2	18	19.33	14.71	EP2420	22.2	18.2	38		
EN4SD242412WGY	EN4SD242412WLG	24	24	12	14	2	2	18	19.33	16.15	EP2424	22.2	22.2	47		
EN4SD302412WGY	EN4SD302412WLG	30	24	12	14	2	3	12	25.33	16.15	EP3024	28.2	22.2	57		
EN4SD242416WGY	EN4SD242416WLG	24	24	16	14	2	2	18	19.33	16.15	EP2424	22.2	22.2	66		
EN4SD242420WGY	EN4SD242420WLG	24	24	20	14	2	2	18	19.33	16.15	EP2424	22.2	22.2	70		
EN4SD302420WGY	EN4SD302420WLG	30	24	20	14	2	3	12	25.33	16.15	EP3024	28.2	22.2	82		

¹ All Window Door latch types are quarter turns.

Eclipse Sloped Top Series, NEMA 4, 12 Single Door Enclosures

Industrial Enclosures
Wallmount Enclosures



**Panel
Sold
Separately**



Application

- Designed to enclose electrical and/or electronic equipment and protect against harsh, industrial environments for wallmount applications.
- Sloped top prevents water from resting on top as well as providing potential for controls mounting.
- Impressive styling features like hidden hinges and attractive latching systems make the Eclipse a suitable addition to any high-tech equipment installation.
- A wide range of sizes and practical accessories make this product line a complete package.

Standards

- UL 508 Type 3R, 4, 12 and 13
- CSA Type 3R, 4, 12 and 13
- **Complies with**
 - NEMA 3R, 4, 12 and 13
 - IEC 60529, IP66

Construction

- Formed 14 or 16 gauge steel.
- Continuously welded seams ground smooth.
- Door stiffeners are provided where required for increased strength and rigidity - designed to also permit additional mounting options.
- Formed lip on enclosure to exclude flowing liquids and contaminants.
- Door latches feature the added safety of quarter turn slot requiring use of tool for opening.
- Doors may be easily removed for modifications and are interchangeable.
- Seamless poured-in place gasket.
- Collar studs provided for mounting inner panel.
- Includes hardware kit with panel mounting nuts and sealing washers for wall mounting holes.
- Bonding stud provided on door and grounding stud installed in enclosure.
- Hinges are finished in mild steel.
- Stainless steel hinge pins and quarter turns.

Finish

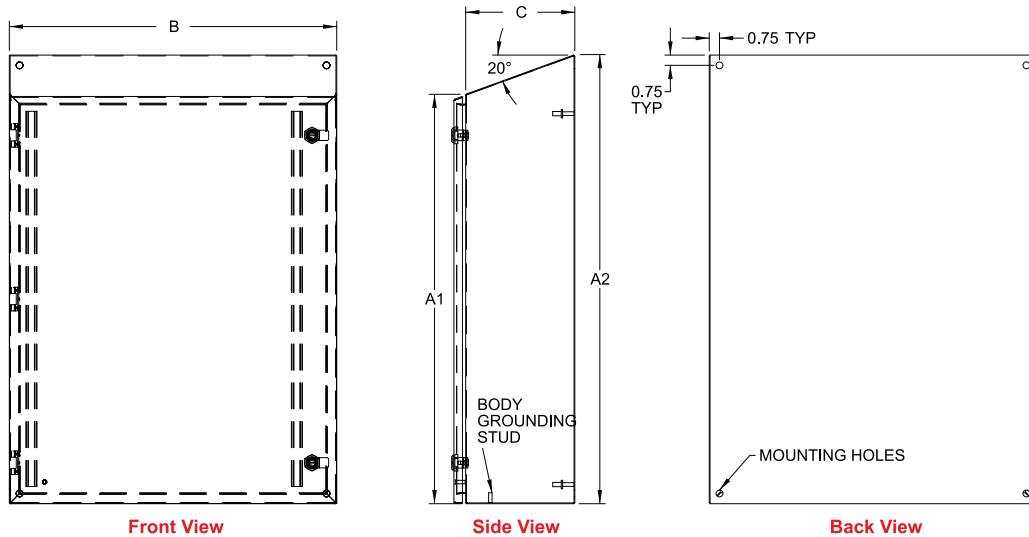
- Cover and enclosure are finished in recoatable RAL 7035 light gray textured powder coating.

Accessories

- Air conditioners...see page **349-367**
- Blowers...see page **392**
- Breather kits...see page **400-401**
- DIN rails...see page **30**
- DIN rail mounting kit...see page **30**
- Door stop kit...see page **453**
- Filter fans...see page **371-384**
- Gland Plates...see page **446**
- Heaters...see page **393-396**
- Handles...see page **31**
- Inner panel...see page **29**
- Quarter turn inserts and keys ...see page **31**
- Literature pocket...see page **456**
- Mounting foot kit...see page **31**
- Swing frame...see page **30**
- Swing panel...see page **29**
- Rear Hole Plugs...see page **32**
- Replacement hinge pins...see page **29**
- Replacement quarter turn assemblies...see page **31**
- Thermostats...see page **397**
- Touch up paint...see page **455**
- UL/CSA approved hardware kit ...see page **433**
- Padlock Adapter (EPA)...see page **434**

Eclipse Sloped Top Series, NEMA 4, 12

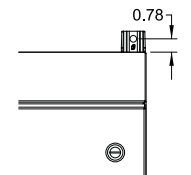
Single Door Enclosures



Front View

Side View

Back View



Mounting Foot Detail

Part Number	Dimensions [in] Enclosure Size				Gauge		Panel Cat. Number	Latch Qty	Latch Style	Hinge Qty
	A1	A2	B	C	Door	Body				
ST12126LG	12	14.2	12	6	16	16	EP1212	1	Qtr Turn	2
ST16126LG	16	18.2	12	6	16	16	EP1612	1	Qtr Turn	2
ST20166LG	20	22.2	16	6	16	16	EP2016	1	Qtr Turn	2
ST20206LG	20	22.2	20	6	16	16	EP2020	1	Qtr Turn	2
ST16168LG	16	18.9	16	8	16	16	EP1616	1	Qtr Turn	2
ST20168LG	20	22.9	16	8	16	16	EP2016	1	Qtr Turn	2
ST20208LG	20	22.9	20	8	16	16	EP2020	1	Qtr Turn	2
ST24208LG	24	26.9	20	8	16	16	EP2420	1	Qtr Turn	2
ST24248LG	24	26.9	24	8	14	16	EP2424	2	Qtr Turn	2
ST30248LG	30	32.9	24	8	14	16	EP3024	2	Qtr Turn	3
ST30308LG	30	32.9	30	8	14	14	EP3030	2	Qtr Turn	3
ST36308LG	36	38.9	30	8	14	14	EP3630	2	Qtr Turn	3
ST242410LG	24	27.6	24	10	14	16	EP2424	2	Qtr Turn	2
ST302410LG	30	33.6	24	10	14	16	EP3024	2	Qtr Turn	3
ST363010LG	36	39.6	30	10	14	14	EP3630	2	Qtr Turn	3
ST483610LG	48	51.6	36	10	14	14	EP4836	1	3-point	4
ST242412LG	24	28.4	24	12	14	16	EP2424	2	Qtr Turn	2
ST302412LG	30	34.4	24	12	14	16	EP3024	2	Qtr Turn	3
ST363012LG	36	40.3	30	12	14	14	EP3630	2	Qtr Turn	3
ST363612LG	36	40.3	36	12	14	14	EP3636	2	Qtr Turn	3
ST483612LG	48	52.3	36	12	14	14	EP4836	1	3-point	4
ST603612LG	60	64.3	36	12	14	14	EP6036	1	3-point	4
ST363016LG	36	41.8	30	16	14	14	EP3630	2	Qtr Turn	3
ST483616LG	48	53.7	36	16	14	14	EP4836	1	3-point	4
ST302420LG	30	37.3	24	20	14	14	EP3024	2	Qtr Turn	3

Technical references and CAD downloads available at www.hammondmfg.com

All dimensions in inches unless specified otherwise

Quality Products. Service Excellence.

Eclipse Series - NEMA 12

Two Door Enclosures

Industrial Enclosures

Wallmount Enclosures



**Panel
Sold
Separately**



Application

- Designed to enclose electrical and/or electronic equipment and protect against harsh, industrial environments for wallmount applications.
- Impressive styling features like hidden hinges, attractive latching systems make the Eclipse a suitable addition to any high-tech equipment installation.
- A wide range of sizes and practical accessories make this product line a complete package.

Standards

- UL 508 Type 12, 3R unless marked¹
- CSA Type 12, 3R
- **Complies with**
 - NEMA 12, 3R
 - IEC 60529, IP54

Construction

- Formed 14 gauge steel.
- Smooth, continuously welded seams ground smooth.
- Door stiffeners are provided for increased strength and rigidity also designed to permit additional mounting options.
- Formed lip on enclosure to exclude flowing liquids and contaminants.
- Doors may be easily removed for modifications and are interchangeable.
- Oil resistant gaskets are permanently secured.
- Collar studs provided for mounting inner panel.
- Includes hardware kit with panel mounting nuts and sealing washers for wall mounting holes.
- Bonding stud provided on door and grounding stud installed in enclosure.
- Doors are secured with a three point key lockable handle.
- Hinges are constructed from 304 stainless steel.
- Key lockable handle is zinc diecast with black epoxy finish.
- Hinge pins are stainless steel.
- Door alignment guides provided on all doors.

Finish

- Cover and enclosure are phosphatized and finished with a recoatable powder inside and out with choice of ANSI 61 smooth Gray (GY) or RAL7035 textured light gray (LG).

Accessories

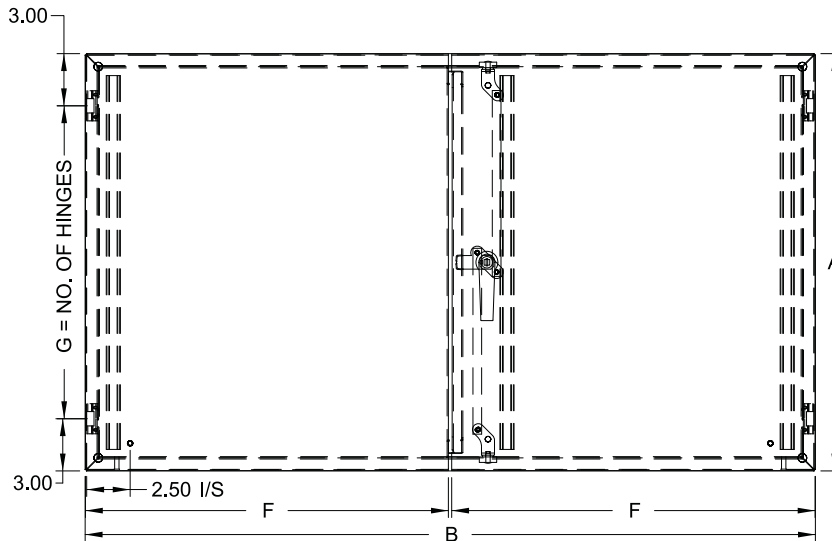
- Air conditioners...see page **349-367**
- Blowers...see page **392**
- Breather kits...see page **400-401**
- DIN rails...see page **30**
- DIN rail mounting kit...see page **30**
- Door stop kit...see page **453**
- Drip shield kit...see page **451**
- Filter fans...see page **371-384**
- Gland Plates...see page **446**
- Heaters...see page **393-396**
- Handles...see page **31**
- Inner panel...see page **29**
- Literature pocket...see page **456**
- Rear Hole Plugs...see page **32**
- Replacement hinge pins...see page **29**
- Thermostats...see page **397**
- Touch up paint...see page **455**
- UL/CSA approved hardware kit...see page **433**
- Window kits...see page **449**

Eclipse Series - NEMA 12

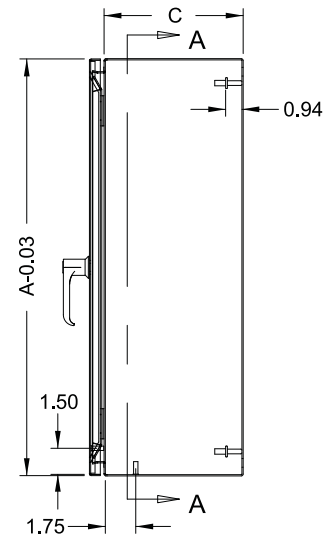
Two Door Enclosures

Industrial Enclosures

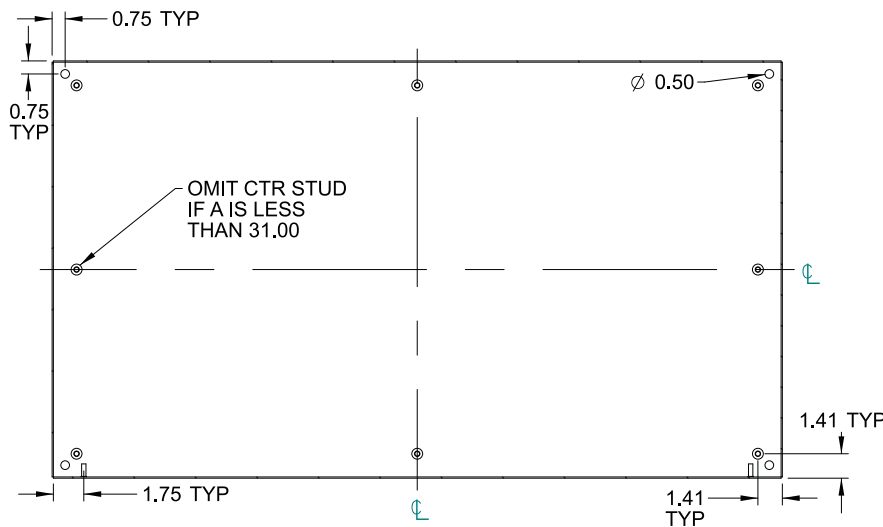
Wallmount Enclosures



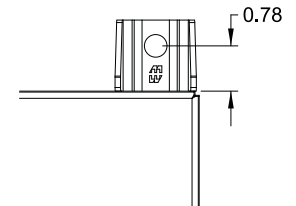
Front View



Side View



Section A-A



Mounting Foot Detail

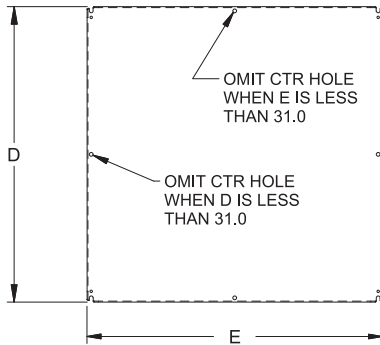
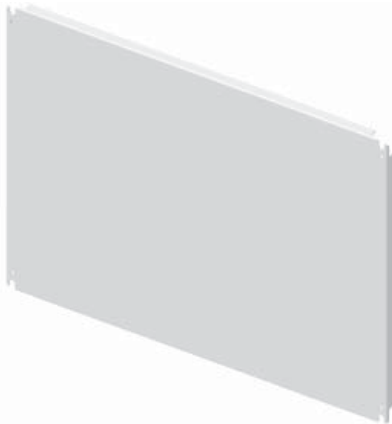
Part No. (ANSI 61 Gray)	Part No. (RAL7035 Light Gray)	Overall Dimensions				# of Hinges	Optional Panel Part No.	Panel Size		Ship Wt. Lbs
		A	B	C	F	G		D	E	
EN4TD24428GY	EN4TD24428LG	24	42	8	20.88	2	EP2442	22.2	40.2	80
EN4TD24488GY	EN4TD24488LG	24	48	8	23.88	2	EP2448	22.2	46.2	95
EN4TD30488GY	EN4TD30488LG	30	48	8	23.88	3	EP3048	28.2	46.2	105
EN4TD244210GY	EN4TD244210LG	24	42	10	20.88	2	EP2442	22.2	40.2	85
EN4TD304210GY	EN4TD304210LG	30	42	10	20.88	3	EP3042	28.2	40.2	117
EN4TD304810GY	EN4TD304810LG	30	48	10	23.88	3	EP3048	28.2	46.2	112
EN4TD306010GY	EN4TD306010LG	30	60	10	29.88	3	EP3060	28.2	58.2	145
EN4TD306012GY	EN4TD306012LG	30	60	12	29.88	3	EP3060	28.2	58.2	152
EN4TD364212GY	EN4TD364212LG	36	42	12	20.88	3	EP3642	34.2	42.2	121
EN4TD364812GY	EN4TD364812LG	36	48	12	23.88	3	EP3648	34.2	46.2	135
EN4TD366012GY	EN4TD366012LG	36	60	12	29.88	3	EP3660	34.2	58.2	165
EN4TD484812GY ¹	EN4TD484812LG ¹	48	48	12	23.88	4	EP4848	46.2	46.2	165

¹ Approved to CSA/CSAus Type 12, 3R only

Eclipse Series - NEMA 4, 12

Accessories

Industrial Enclosures
Wallmount Enclosures



Eclipse Inner Panel

- Larger than standard NEMA panel used in same sized enclosure.
- 12 gauge steel construction (see chart, below).
- Larger sizes have 2 or 4 formed flanges for added strength.

Mild Steel Part No.	Galvanized Part No.	Size		Gauge
		D	E	
EP1212	EPG1212	10.2	10.2	12
EP1224	EPG1224	10.2	22.2	12
EP1612	EPG1612	14.2	10.2	12
EP1616	EPG1616	14.2	14.2	12
EP1620	EPG1620	14.2	18.2	12
EP2012	EPG2012	18.2	10.2	12
EP2016	EPG2016	18.2	14.2	12
EP2020	EPG2020	18.2	18.2	12
EP2024	EPG2024	18.2	22.2	12
EP2412	EPG2412	22.2	10.2	12
EP2416	EPG2416	22.2	14.2	12
EP2420	EPG2420	22.2	18.2	12
EP2424	EPG2424	22.2	22.2	12
EP2430	EPG2430	22.2	28.2	12
EP2442	EPG2442	22.2	40.2	12
EP2448	EPG2448	22.2	46.2	12
EP3012	EPG3012	28.2	10.2	12
EP3016	EPG3016	28.2	14.2	12
EP3020	EPG3020	28.2	18.2	12
EP3024	EPG3024	28.2	22.2	12
EP3030	EPG3030	28.2	28.2	12

Mild Steel Part No.	Galvanized Part No.	Size		Gauge
		D	E	
EP3036	EPG3036	28.2	34.2	12
EP3042	EPG3042	28.2	40.2	12
EP3048	EPG3048	28.2	46.2	12
EP3060	EPG3060	28.2	58.2	12
EP3624	EPG3624	34.2	22.2	12
EP3630	EPG3630	34.2	28.2	12
EP3636	EPG3636	34.2	34.2	12
EP3642	EPG3642	34.2	40.2	12
EP3648	EPG3648	34.2	46.2	12
EP3660	EPG3660	34.2	58.2	12
EP4224	EPG4224	40.2	22.2	12
EP4230	EPG4230	40.2	28.2	12
EP4236	EPG4236	40.2	34.2	12
EP4824	EPG4824	46.2	22.2	12
EP4830	EPG4830	46.2	28.2	12
EP4836	EPG4836	46.2	34.2	12
EP4848	EPG4848	46.2	46.2	12
EP6036	EPG6036	58.2	34.2	12
EP7230	EPG7230	70.2	28.2	12
EP7236	EPG7236	70.2	34.2	12

Eclipse Swing Panel

- Hinged panel allows access to internally mounted equipment.
- 12 gauge steel construction.
- Slotted quarter turn latches provide closure.
- Adding optional locking quarter turn latches (Part Number EQTRL...see page 31) convert this to a dead front panel.
- Complete with 4-6" depth adjustment channels.
- Hardware kit maintains UL, CSA and NEMA ratings when field installed.
- Finished in white.



Part No.	Fits Enclosure Size (A x B)
ESP1212	12 x 12
ESP1612	16 x 12
ESP1616	16 x 16
ESP1620	16 x 20
ESP2016	20 x 16
ESP2020	20 x 20
ESP2024	20 x 24

Part No.	Fits Enclosure Size (A x B)
ESP2416	24 x 16
ESP2420	24 x 20
ESP2424	24 x 24
ESP3020	30 x 20
ESP3024	30 x 24
ESP3030	30 x 30
ESP3624	36 x 24

Part No.	Fits Enclosure Size (A x B)
ESP3630	36 x 30
ESP3636	36 x 36
ESP4236	42 X 36
ESP4824	48 X 24
ESP4836	48 X 36
ESP6036	60 X 36

Eclipse Replacement Hinge Pins

- These are supplied with enclosure but offered here as replacements should originals be misplaced.
- Packaged in quantities of 5.



Part No.	Material
EPINSS	Stainless steel hinge pin

Eclipse Series - NEMA 4, 12 Accessories

Industrial Enclosures
Wallmount Enclosures



Eclipse Swing Frame

- Provides 19" rack mounting with full EIA spacing (punched holes).
- Hinges allow easy equipment access.
- Slotted quarter turn latches provide closure.
- Adding optional locking quarter turn latches (EQTRL...see page 31) provides added security.
- Complete with 4-6" depth adjustment channels.

- Order package of 25 clip nuts separately (Part No. 1421N25...see page 430).
- Hardware kit maintains UL, CSA and NEMA ratings when field installed.
- Finished in black.

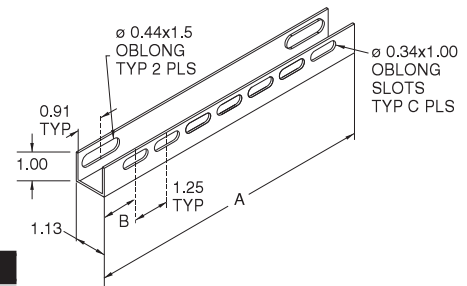


Part No.	Fits Enclosure Size (A x B)	Rack Spacing	
		Width	Height (Units)
ESF2424	24 x 24	19	11
ESF3024	30 x 24	19	14
ESF3624	36 x 24	19	17



DIN Rail Mounting Kit

- Field installable.
- Mounts directly to panel collar studs (panel not required).
- Accepts optional DIN rails, see below.
- DIN rails available separately.
- Zinc plated.

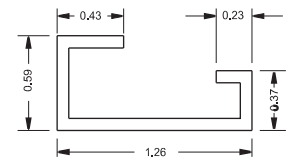


Part No.	A	B	C
2DMK12	10	1.25	7
2DMK16	14	0.75	11
2DMK20	18	0.88	14
2DMK24	22	1.00	17
2DMK30	28	0.88	22

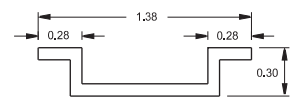


DIN Rails

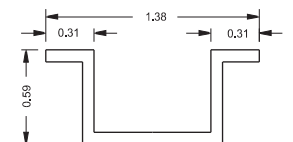
- Field installable.
- Includes a set of 3 plated rails.
- Available in 3 industry standard profiles - DIN 1, DIN 3, and CENELEC.
- DIN rail mounting kit required for installation (see above).
- Rails have a 0.28 x 1.25 oblong slot on each end.
- Zinc plated.



Asymmetric DIN 1 Pro



Symmetric DIN 3 Pro



CENELEC Pro

Asymmetric Din 1 Profile Part No.	Symmetric Din 3 Profile Part No.	Cenelec Profile Part No.	Length
2D1K12	2D2K12	2DCK12	9.25
2D1K16	2D2K16	2DCK16	13.25
2D1K20	2D2K20	2DCK20	17.25
2D1K24	2D2K24	2DCK24	21.25
2D1K30	2D2K30	2DCK30	27.25

For sizing, refer to master selection table...see page 20

Technical references and CAD downloads available at www.hammondmfg.com

All dimensions in inches unless specified otherwise

Quality Products. Service Excellence.

Eclipse Series- NEMA 4, 12

Accessories

Industrial Enclosures


Quarter Turn Inserts and Keys

- Field installable inserts replace standard quarter turn slot.
- Available in 7mm square and triangle formats, as well as slotted.
- Square and triangle inserts provide extra security since standard screw drivers cannot open.
- Keys sold separately from inserts.
- Maintains NEMA, UL and CSA 12, 4 and 4X ratings.

Part No.	Description
2SQI7	7mm square insert, black
2SQK7	7mm square key, fits 2SQI7
2TRI7	7mm triangle insert, black
2TRK7	7mm triangle key, fits 2TRI7
2SLI	Slotted insert, black



Replacement Quarter Turn Assemblies

- Field installable.
- Interchangeable with standard quarter turn latches.
- Maintains NEMA, UL and CSA ratings as noted.

Part No.	Description	Material	NEMA Rating
EQTRL ¹	Locking Qtr Turn	Zinc Die/Chrome	n/a (internal use only)
2QTR	Slotted Qtr Turn	Zinc Die/Black	12, 4
2SSQTR	Slotted Qtr Turn	Stainless steel	12, 4, 4X
2WKL	Wing knob lock	Zinc Die/Black	12, 4
2QPL	Padlockable quarter turn latch	Zinc Die/Black	12, 4

¹ For use with Swing Frame/Panel. ...see page 29. All others for use with enclosures.



Handles

- Field installable.
- Interchangeable with standard quarter turn latches.
- Maintain NEMA, UL and CSA ratings as noted.

Part No.	Description	Material	NEMA Rating
EHTL	Locking T Handle	Zinc Die/Black	12, 4
EHL	Locking L Handle	Zinc Die/Black	12, 4
EHLPL	Padlockable L Handle	Zinc Plated	12
EHLPLSS	Padlockable L Handle	316 Stainless Steel	12, 4, 4X
EHLNLSS	Non Locking L Handle	316 Stainless Steel	12, 4, 4X
EHLSS	Locking L Handle	316 Stainless Steel	12, 4, 4X



Eclipse Mounting Foot Kit

- Maintains UL, CSA and NEMA ratings.
- Field installable.
- New triangular flanges prevent the foot from rotating
- Foot can still be mounted sideways as well as top/bottom
- Available in mild, 304SS and 316SS
- Packaged in quantities of four

Part No.	Material
EZPMFHD	Clear Zinc Plated, mild steel
ESSMFHD	Type 304 Stainless
ES16MFHD	Type 316 Stainless

Technical references and CAD downloads available at www.hammondmfg.com

All dimensions in inches unless specified otherwise

Eclipse Series- NEMA 4, 12

Accessories



Eclipse Rear Mounting Hole Plugs

- Used to plug rear mounting holes for Eclipse series
- Snap in plug designed for rear .50" mounting hole
- Packaged in quantities of 40

Part No. **EN4PLUG40**

1418 Series Single Door Enclosures - NEMA 12, 13

Continuous Hinge, Clamped Cover



Application

- Designed to house electrical, electronic, hydraulic or pneumatic controls and instruments.
- Provides a degree of protection from falling dirt, dust, oil and water.

Standards

- UL 508 Type 12 and 13
- CSA Type 12 and 13
- Complies with
 - NEMA Type 12 and 13
 - JIC EGP-1-1967 unless marked¹
 - IEC 60529, IP54

Construction

- Formed 14 gauge steel bodies and doors.
- Smooth, continuously welded seams without knockouts, cutouts or holes.
- Door and body stiffeners are provided in the larger enclosures for extra rigidity.
- Welded brackets provide for enclosure mounting.
- Formed lip on door and enclosure exclude flowing liquids and contaminants.
- Continuously hinged door may be removed by pulling the hinge pin.
- Door is secured with easily operated stainless steel clamps.
- Provision for padlocking.
- Oil resistant gaskets are permanently secured.
- A removable 12 gauge inner panel is included.
- Collar studs are provided for mounting inner panels.
- A bonding stud is provided on the door and a grounding stud is provided in the enclosure.
- A literature pocket is provided for the inside of the door.

Finish

- Cover and enclosure are finished in recoatable smooth ANSI 61 gray powder coating on the outside, with white powder coating on the inside.
- Removable inner panel is finished in white powder coating.

Accessories

- Additional inner panels...see page **436**
- Air conditioners...see page **349-367**
- Blowers...see page **392**
- Breather kits...see page **400-401**
- Door clamping hardware
...see page **429**
- Door stop kit...see page **453**
- Drip shield kits...see page **451**
- Enclosure stabilizers...see page **456**
- Filter fans...see page **371-384**
- Floor stand kits...see page **453**
- Gland Plates...see page **446**
- Heaters...see page **393-396**
- Lock kit...see page **431**
- Louvered ventilating plates
...see page **402**
- Quick release clamp...see page **429**
- Swing Panels...see page **440**
- Terminal kit assemblies
...see page **441**
- Thermostats...see page **397**
- Window kits...see page **449**

Part No.	Panel Size			Centers			Ship Wt. lbs	
	A	B	C	D	E	F		G
1418A6 ²	12	24	6	9	21	18.0	13.25	34
1418B6 ²	16	12	6	13	9	9.5	17.25	26
1418G6 ²	16	16	6	13	13	10.0	17.25	32
1418CR6 ²	16	20	6	13	17	14.0	17.25	38
1418CA6 ²	20	12	6	17	9	9.5	21.25	32
1418C6 ²	20	16	6	17	13	10.0	21.25	38
1418D6 ²	20	20	6	17	17	14.0	21.25	48
1418ER6	20	24	6	17	21	18.0	21.25	54
1418AR6 ²	24	12	6	21	9	9.5	25.25	36
1418H6	24	16	6	21	13	10.0	25.25	46
1418E6	24	20	6	21	17	14.0	25.25	54
1418J6	24	24	6	21	21	18.0	25.25	62
1418FG6	30	16	6	27	13	10.0	31.25	56
1418F6	30	20	6	27	17	14.0	31.25	66
1418K6	30	24	6	27	21	18.0	31.25	76
1418L6	36	24	6	33	21	18.0	37.25	91
1418M6	36	30	6	33	27	24.0	37.25	114
1418A8 ²	12	24	8	9	21	18.0	13.25	38
1418B8 ²	16	12	8	13	9	9.5	17.25	28
1418G8 ²	16	16	8	13	13	10.0	17.25	34
1418CR8 ²	16	20	8	13	17	14.0	17.25	43
1418CA8 ²	20	12	8	17	9	9.5	21.25	35
1418C8 ²	20	16	8	17	13	10.0	21.25	40
1418D8 ²	20	20	8	17	17	14.0	21.25	48

¹Does not meet JIC requirements

²Flat Panel not meet JIC

Part No.	Panel Size			Centers			Ship Wt. lbs	
	A	B	C	D	E	F		G
1418ER8	20	24	8	17	21	18.0	21.25	61
1418AR8	24	12	8	21	9	9.5	25.25	40
1418H8	24	16	8	21	13	10.0	25.25	50
1418E8	24	20	8	21	17	14.0	25.25	58
1418J8	24	24	8	21	21	18.0	25.25	68
1418KR8	24	30	8	21	27	24.0	25.25	82
1418KA8	30	12	8	27	9	9.5	31.25	50
1418KG8	30	16	8	27	13	10.0	31.25	60
1418F8	30	20	8	27	17	14.0	31.25	70
1418K8	30	24	8	27	21	18.0	31.25	82
1418KK8	30	30	8	27	27	24.0	31.25	102
1418MR8	30	36	8	27	33	30.0	31.25	124
1418L8	36	24	8	33	21	18.0	37.25	96
1418M8	36	30	8	33	27	24.0	37.25	120
1418LL8 ¹	36	36	8	33	33	30.0	37.25	142
1418N8	42	24	8	39	21	18.0	43.25	110
1418O8 ¹	42	30	8	39	27	24.0	43.25	132
1418P8 ¹	42	36	8	39	33	30.0	43.25	182
1418Q8	48	24	8	45	21	18.0	49.25	122
1418R8 ¹	48	30	8	45	27	24.0	49.25	173
1418S8 ¹	48	36	8	45	33	30.0	49.25	201
1418T8 ¹	60	36	8	57	33	30.0	61.25	246
1418B10 ²	16	12	10	13	9	9.5	17.25	30
1418C10 ²	20	16	10	17	13	10.0	21.25	44

¹Does not meet JIC requirements

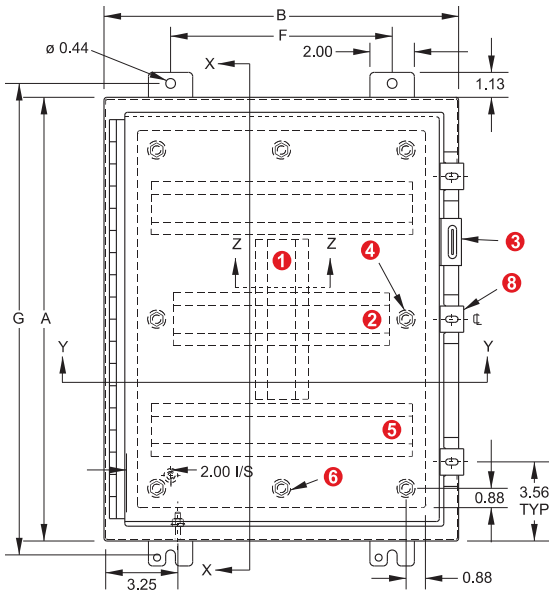
²Flat Panel not meet JIC

 Technical references and CAD downloads available at www.hammondmfg.com

All dimensions in inches unless specified otherwise

1418 Series Single Door Enclosures - NEMA 12, 13

Continuous Hinge, Clamped Cover



Front View

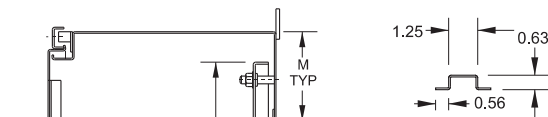
Inner Panel Included



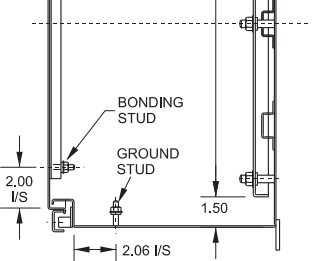
Part No.	Panel Size			Centers		Ship Wt. lbs		
	A	B	C	D	E			
1418D10 ²	20	20	10	17	17	14.0	21.25	52
1418AR10 ²	24	12	10	21	9	9.5	25.25	42
1418E10	24	20	10	21	17	14.0	25.25	64
1418J10	24	24	10	21	21	18.0	25.25	73
1418F10	30	20	10	27	17	14.0	31.25	76
1418K10	30	24	10	27	21	18.0	31.25	86
1418L10	36	24	10	33	21	18.0	37.25	105
1418M10	36	30	10	33	27	24.0	37.25	124
1418O10 ¹	42	30	10	39	27	24.0	43.25	140
1418P10 ¹	42	36	10	39	33	30.0	43.25	192
1418R10 ¹	48	30	10	45	27	24.0	49.25	162
1418S10 ¹	48	36	10	45	33	30.0	49.25	208
1418T10 ¹	60	36	10	57	33	30.0	61.25	258
1418C12 ²	20	16	12	17	13	10.0	21.25	48
1418E12	24	20	12	21	17	14.0	25.25	68
1418J12	24	24	12	21	21	18.0	25.25	76
1418K12	30	24	12	27	21	18.0	31.25	90
1418KK12	30	30	12	27	27	24.0	31.25	114
1418L12	36	24	12	33	21	18.0	37.25	108
1418M12	36	30	12	33	27	24.0	37.25	132
1418LL12 ¹	36	36	12	33	33	30.0	37.25	156
1418O12 ¹	42	30	12	39	27	24.0	43.25	150
1418P12 ¹	42	36	12	39	33	30.0	43.25	198
1418S12 ¹	48	36	12	45	33	30.0	49.25	222
1418T12 ¹	60	36	12	57	33	30.0	61.25	264
1418U12 ¹	72	30	12	69	27	24.0	73.25	272
1418V12	72	36	12	69	33	30.0	73.25	312
1418E16	24	20	16	21	17	14.0	25.25	74
1418J16	24	24	16	21	21	18.0	25.25	86
1418K16	30	24	16	27	21	18.0	31.25	102
1418M16	36	30	16	33	27	24.0	37.25	140
1418P16 ¹	42	36	16	39	33	30.0	43.25	214
1418S16 ¹	48	36	16	45	33	30.0	49.25	238
1418T16 ¹	60	36	16	57	33	30.0	61.25	290
1418U16 ¹	72	30	16	69	27	24.0	73.25	290
1418K20	30	24	20	27	21	18.0	31.25	112
1418M20	36	30	20	33	27	24.0	37.25	152
1418S20 ¹	48	36	20	45	33	30.0	49.25	256
1418T20 ¹	60	36	20	57	33	30.0	61.25	300
1418U20 ¹	72	30	20	69	27	24.0	73.25	308
1418K24	30	24	24	27	21	18.0	31.25	142
1418U24 ¹	72	30	24	69	27	24.0	73.25	332

¹Does not meet JIC requirements

²Flat Panel not meet JIC

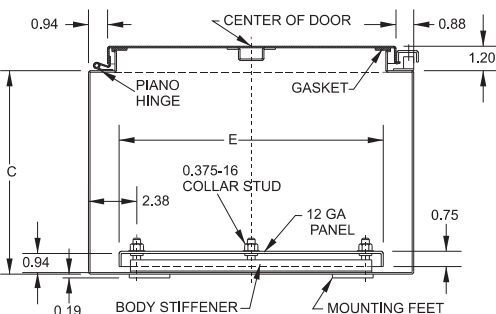


Section Z-Z



Side View

When A=	M=
30	7.00
36	9.00
42	9.88
48	11.38
60	14.38
72	17.38



Bottom View

- 1 Vertical stiffener required on KK, M, MR and LL only.
- 2 Omit center body stiffener if A is less than 41".
- 3 Padlocking hasp and staple.
- 4 Omit 2 middle studs if A is less than 31".
- 5 Omit body stiffeners if A or B is less than 29".
- 6 Omit 2 middle studs if B is less than 31".
- 7 Omit door stiffener if A or B is less than 31" except if Ax B is 42"x30", 48"x30" or 72"x30".
- 8 Omit if A is less than 48".

1418 N4 Series Single Door Enclosures - NEMA 4

Continuous Hinge, Clamped Cover

Industrial Enclosures

Wallmount Enclosures



Application

- Designed for use as instrument enclosures, electric, hydraulic or pneumatic control housings, electrical junction boxes or terminal wiring enclosures.
- Provides protection where equipment may be hosed down or otherwise be very wet, or in outdoor applications for full weather protection.

Standards

- UL 508 Type 3R, 12, 4
- CSA Type 3R, 12, 4
- **Complies with**
 - NEMA Type 3R, 4, 12 and 13
 - JIC EGP-1-1967 unless marked¹
 - IEC 60529, IP66

Construction

- Formed 14 gauge steel bodies and doors.
- Smooth, continuously welded seams without knockouts, cutouts or holes.
- Door and body stiffeners are provided in the larger enclosures for extra rigidity.
- Welded brackets provide for enclosure mounting.
- Formed lip on door and enclosure exclude flowing liquids and contaminants.
- Stainless steel continuous hinge on door may be removed by pulling the stainless steel hinge pin.
- Door is secured with easily operated stainless steel clamps.
- Provision for padlocking.
- Seamless poured-in place gasket.
- A removable 12 gauge inner panel is included.
- Collar studs are provided for mounting inner panels.
- A bonding stud is provided on the door and a grounding stud is provided in the enclosure.
- A literature pocket is provided for the inside of the door.

Finish

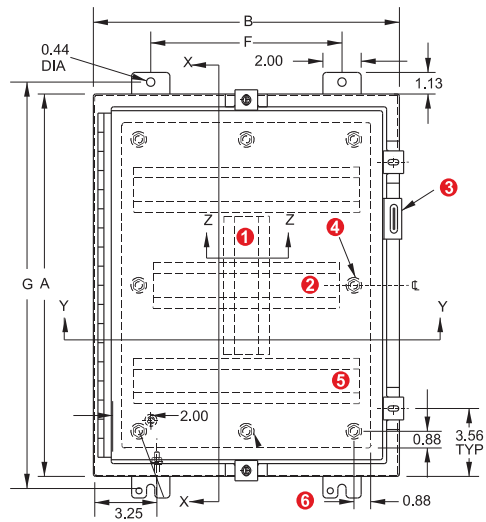
- Cover and enclosure are finished in recoatable smooth ANSI 61 gray powder coating.
- Removable inner panel is finished in white powder coating.

Accessories

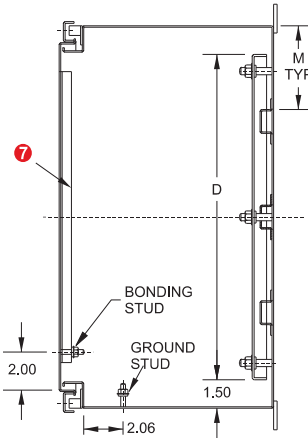
- Additional inner panels...see page **436**
- Air conditioners...see page **349-367**
- Blowers...see page **392**
- Breather kits...see page **400-401**
- Door clamping hardware
...see page **429**
- Door stop kit...see page **453**
- Drip shield kits...see page **451**
- Enclosure stabilizers...see page **456**
- Filter fans...see page **371-384**
- Floor stand kits...see page **453**
- Gland Plates...see page **446**
- Heaters...see page **393-396**
- Lock kit...see page **431**
- Louvered ventilating plates
...see page **402**
- Quick release clamp...see page **429**
- Swing Panels...see page **440**
- Terminal kit assemblies
...see page **441**
- Thermostats...see page **397**
- Window kits...see page **449**

1418 N4 Series Single Door Enclosures - NEMA 4

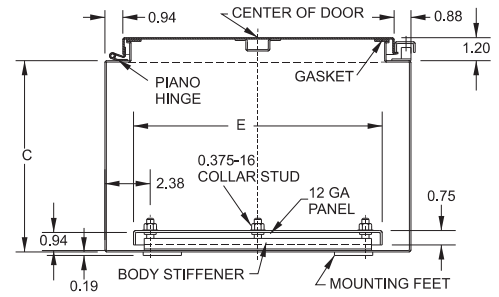
Continuous Hinge, Clamped Cover



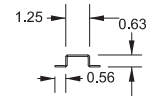
Front View



Side View



Section Y-Y



Section Z-Z

- 1 Vertical stiffener required on KK and M only.
- 2 Omit center body stiffener if A is less than 41".
- 3 Padlocking hasp and staple.
- 4 Omit 2 middle studs if A is less than 31".
- 5 Omit body stiffeners if A or B is less than 29 .
- 6 Omit 2 middle studs if B is less than 31".
- 7 Omit door stiffener if A or B is less than 31" except if Ax B is 42"x30" or 48"x30".

When A=	M=
30	7.00
36	9.00
42	9.88
48	11.38
60	14.38

Literature pocket supplied loose.
Number of door clamps varies to enclosure size.

Part No.	A	B	C	Panel Size D	E	Mtg. Centers F	G	Ship Wt. lbs.
1418N4B6 ²	16	12	6	13	9	9.5	17.25	27
1418N4G6 ²	16	16	6	13	13	10.0	17.25	34
1418N4CR6 ²	16	20	6	13	17	14.0	17.25	41
1418N4C6 ²	20	16	6	17	13	10.0	21.25	40
1418N4D6 ²	20	20	6	17	17	14.0	21.25	40
1418N4AR6	24	12	6	21	9	9.5	25.25	41
1418N4H6	24	16	6	21	13	10.0	25.25	42
1418N4E6	24	20	6	21	17	14.0	25.25	56
1418N4J6	24	24	6	21	21	18.0	25.25	65
1418N4F6	30	20	6	27	17	14.0	31.25	70
1418N4K6	30	24	6	27	21	18.0	31.25	80
1418N4L6	36	24	6	33	21	18.0	37.25	91
1418N4B8 ²	16	12	8	13	9	9.5	17.25	29
1418N4C8 ²	20	16	8	17	13	10.0	21.25	44
1418N4D8 ²	20	20	8	17	17	14.0	21.25	51
1418N4ER8	20	24	8	17	21	18.0	21.25	55
1418N4E8	24	20	8	21	17	14.0	25.25	60
1418N4J8	24	24	8	21	21	18.0	25.25	70
1418N4KR8	24	30	8	21	27	24.0	25.25	74
1418N4F8	30	20	8	27	17	14.0	31.25	79
1418N4K8	30	24	8	27	21	18.0	31.25	88
1418N4KK8	30	30	8	27	27	24.0	31.25	106
1418N4L8	36	24	8	33	21	18.0	37.25	101

¹ Does not meet JIC requirements

² Flat Panel

Part No.	A	B	C	Panel Size D	E	Mtg. Centers F	G	Ship Wt. lbs.
1418N4M8	36	30	8	33	27	24	37.25	121
1418N4O8 ¹	42	30	8	39	27	24	43.25	132
1418N4P8 ¹	42	36	8	39	33	30	43.25	177
1418N4S8 ¹	48	36	8	45	33	30	49.25	207
1418N4T8 ¹	60	36	8	57	33	30	61.25	245
1418N4C10 ²	20	16	10	17	13	10	21.25	47
1418N4E10	24	20	10	21	17	14	25.25	66
1418N4K10	30	24	10	27	21	18	31.25	91
1418N4M10	36	30	10	33	27	24	37.25	125
1418N4R10 ¹	48	30	10	45	27	24	49.25	175
1418N4S10 ¹	48	36	10	45	33	30	49.25	183
1418N4T10 ¹	60	36	10	57	33	30	61.25	252
1418N4E12	24	20	12	21	17	14	25.25	71
1418N4K12	30	24	12	27	21	18	31.25	95
1418N4L12	36	24	12	33	21	18	37.25	106
1418N4M12	36	30	12	33	27	24	37.25	136
1418N4P12 ¹	42	36	12	39	33	30	43.25	202
1418N4S12 ¹	48	36	12	45	33	30	49.25	225
1418N4K16	30	24	16	27	21	18	31.25	100
1418N4M16	36	30	16	33	27	24	37.25	149
1418N4S16 ¹	48	36	16	45	33	30	49.25	290
1418N4T16 ¹	60	36	16	57	33	30	61.25	232

¹ Does not meet JIC requirements

² Flat Panel

Technical references and CAD downloads available at www.hammondmfg.com

All dimensions in inches unless specified otherwise

Quality Products. Service Excellence.

1422 Series Two Door Wallmount Enclosures - NEMA 12

Continuous Hinge

Industrial Enclosures Wallmount Enclosures



**Inner
Panel
Included**



Application

- Designed to house electrical, electronic, hydraulic or pneumatic controls and instruments.
- Provides a degree of protection from falling dirt, dust, oil and water.

Standards

- UL 508 Type 12
- CSA Type 12
- **Complies with**
 - NEMA Type 12
 - IEC 60529, IP54

Construction

- Enclosures are formed 12 or 14 gauge steel, as noted.
- Smooth, continuously welded seams without knockouts, cutouts or holes.
- Body stiffeners are provided in enclosures 30" high or more for extra rigidity.
- Welded brackets provide for enclosure mounting.
- Gasketed overlapping doors eliminate the need for a center post.
- Continuously hinged doors may be removed by pulling the hinge pin.
- Doors are secured with a three point latch and operated with a key locking automotive type handle.
- Latch rods are equipped with rollers for easier door closing.
- Oil resistant gaskets are permanently secured.
- A removable 10 gauge inner panel is included in enclosures as noted.
- Smaller sizes include a 12 gauge inner panel.
- Collar studs are provided for mounting inner panels.
- A grounding stud is provided in the enclosure and a bonding stud is provided on the door.
- A literature pocket is provided for the inside of the door.

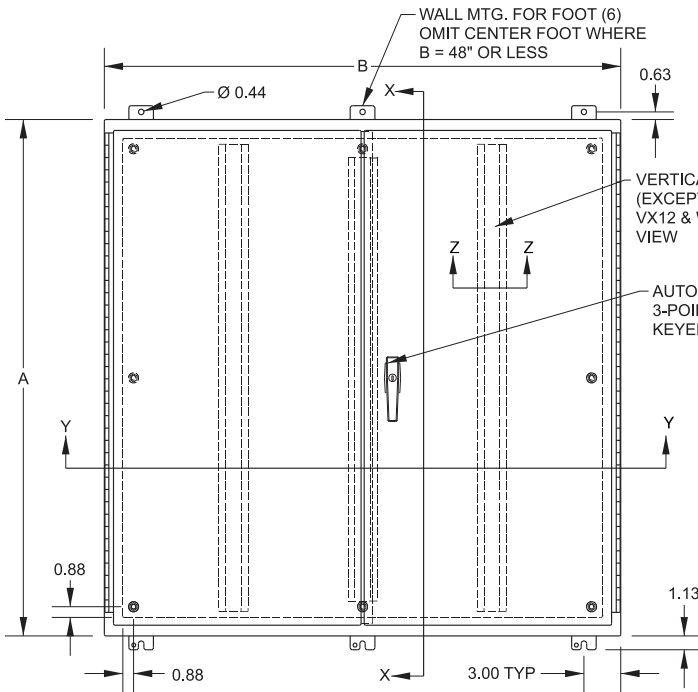
Finish

- Cover and enclosure are phosphatized and finished in recoatable smooth ANSI 61 gray powder coating on the outside, with white powder coating on the inside.
- Removable inner panel is finished in white powder coating.

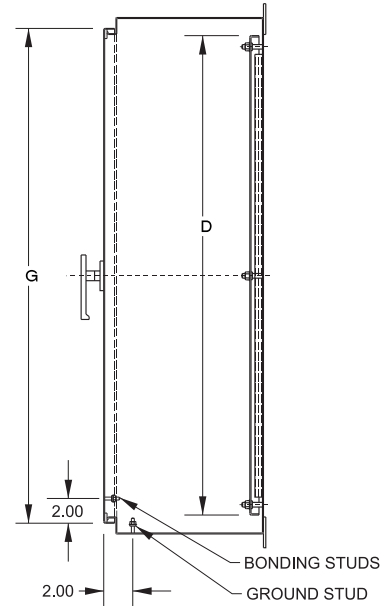
Accessories

- Air conditioners...see page **349-367**
- Blowers...see page **392**
- Breather kits...see page **400-401**
- Door stop kit...see page **453**
- Drip shield kits...see page **451**
- Enclosure stabilizers...see page **456**
- Filter fans...see page **371-384**
- Floor stand kits...see page **453**
- Gland Plates...see page **446**
- Heaters...see page **393-396**
- Light kit...see page **452**
- Louvered ventilating plates
...see page **402**
- Thermostats...see page **397**
- Window kits...see page **449**

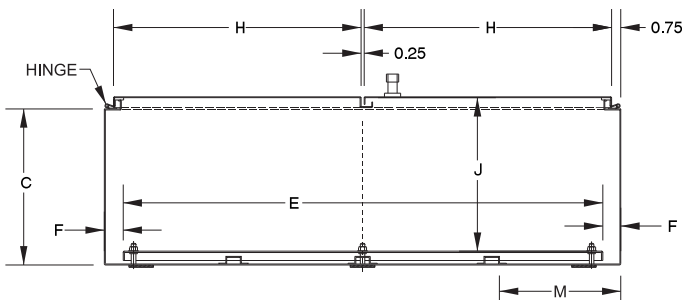
1422 Series Two Door Wallmount Enclosures - NEMA 12 Continuous Hinge



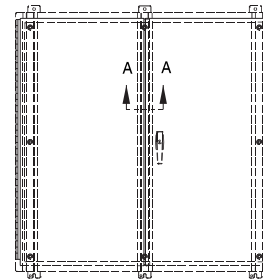
Front View



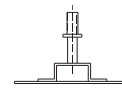
Side View



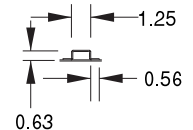
Section Y-Y



Stiffener Layout
1422UX12 & 1422WW12



Section A-A
1422VX12 & 1422WW12



Section Z-Z
(Except 1422VX12 &
1422WW12)

Part No.	Body			Body Gauge	Panel Gauge	Panel Size		F	G	H	J	Ship Wt. lbs.
	A	B	C			D	E					
1422P8	24.00	42.00	8.00	14	12	21	39	1.5	22.25	20.13	7.96	79
1422PW8	24.00	48.00	8.00	14	12	21	45	1.5	22.25	23.13	7.96	92
1422P10	24.00	42.00	10.00	14	12	21	39	1.5	22.25	20.13	9.96	101
1422R10	30.00	42.00	10.00	14	12	27	39	1.5	28.25	20.13	9.96	112
1422RW10	30.00	48.00	10.00	14	12	27	45	1.5	28.25	23.13	9.96	115
1422RX10	30.00	60.00	10.00	14	12	27	57	1.5	28.25	29.13	9.96	142
1422UV12	36.00	42.00	12.00	14	12	33	39	1.5	34.25	20.13	11.96	134
1422UW12	36.00	48.00	12.00	14	12	33	45	1.5	34.25	23.13	11.96	230
1422UX12	36.00	60.00	12.00	14	12	33	57	1.5	34.25	29.13	11.96	181
1422VV12	42.00	42.00	12.00	14	12	39	39	1.5	40.25	20.13	11.96	152
1422VW12	42.00	48.00	12.00	14	12	39	45	1.5	40.25	23.13	11.96	161
1422VX12	42.13	60.06	12.69	12	10	38	56	2.0	40.25	29.13	11.96	202
1422WW12	48.13	48.06	12.69	12	10	44	44	2.0	46.25	23.13	11.96	350

When B=	M=
42	9.88
48	11.38
60	14.38

1422 Series Two Door Floormount Enclosures - NEMA 12

Continuous Hinge

Industrial Enclosures

Floormount Enclosures



With Feet



Without Feet



Application

- Designed to house electrical, electronic, hydraulic or pneumatic controls and instruments.
- Provides a degree of protection from falling dirt, dust, oil and water.

Standards

- UL 508 Type 12
- CSA Type 12
- **Complies with**
 - NEMA Type 12
 - IEC 60529, IP54

Construction

- Enclosures 54" high or less are formed 14 gauge steel.
- Enclosures 60" high are formed 12 gauge steel.
- Enclosures 72" high are formed 12 gauge steel with a 10 gauge steel back.
- Smooth, continuously welded seams without knockouts, cutouts or holes.
- Body stiffeners are provided in enclosures for extra rigidity.
- Heavy duty lifting eyebolts are provided with reinforced support angles.
- 12" floor stands are welded to the enclosure. (w/ feet Part No.)

Construction... Cont'd

- Welded brackets provide for enclosure mounting (w/o feet Part No.)
- Gasketed overlapping doors eliminate the need for a center post.
- Continuously hinged doors may be removed by pulling the hinge pin.
- Doors are secured with a three point latch and operated with a key locking automotive type handle.
- Latch rods are equipped with rollers for easier door closing.
- Oil resistant gaskets are permanently secured.
- A removable 10 gauge inner panel is included in enclosures 60" and larger. Smaller sizes include a 12 gauge inner panel.
- Provision for light kit mounting.
- Panel supports are provided in enclosures 60" and larger for easy panel installation.
- Collar studs are provided for mounting inner panels.
- A grounding stud is provided in the enclosure for each door and a bonding stud is provided on the door.
- A literature pocket is provided for the inside of the door.

Finish

- Cover and enclosure are phosphatized and finished in recoatable smooth ANSI 61 gray powder coating on the outside, with white powder coating on the inside.
- Removable inner panel is finished in white powder coating.

Accessories

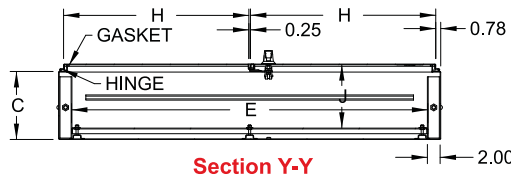
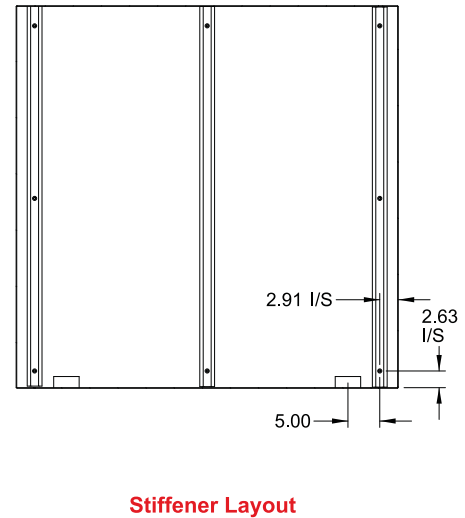
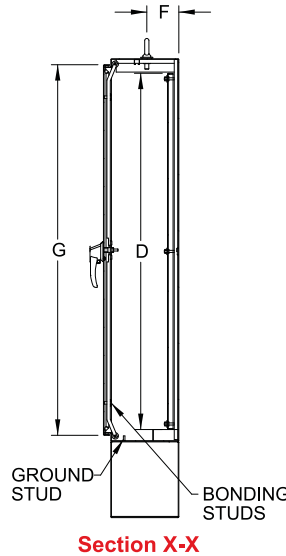
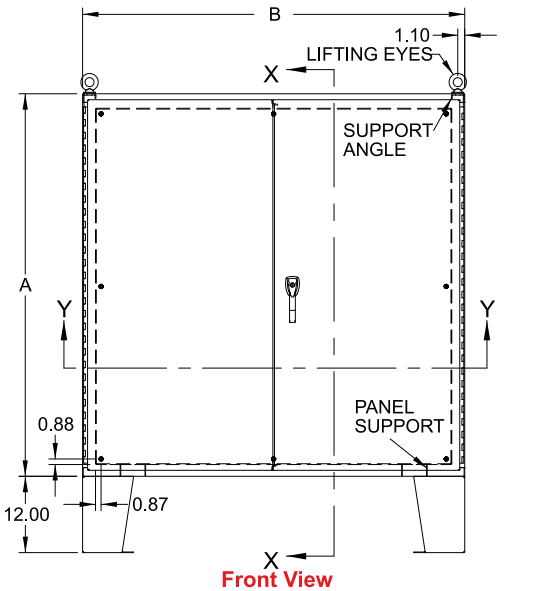
- Air conditioners...see page **349-367**
- Blowers...see page **392**
- Breather kits...see page **400-401**
- Door stop kit...see page **453**
- Drip shield kits...see page **451**
- Enclosure stabilizers...see page **456**
- Filter fans...see page **371-384**
- Floor stand kits...see page **453**
- Gland Plates...see page **446**
- Heaters...see page **393-396**
- Inner Panels...see page **437**
- Light kit...see page **452**
- Louvered ventilating plates...see page **402**
- Thermostats...see page **397**
- Window kits...see page **449**

Technical references and CAD downloads available at www.hammondmfg.com

All dimensions in inches unless specified otherwise

1422 Series Two Door Floormount Enclosures - NEMA 12

Continuous Hinge



With Feet Part No.	Without Feet Part No.	A	B	C	Body Gauge	Panel Gauge	Panel Size		D	E	F	G	H	J	Ship Wt. lbs.
1422A8F	1422A8	54.13	42.06	8.69	14	12	50	38	4.03	52.25	20.13	8.96	275		
1422B8F	1422B8	60.13	48.06	8.69	12	10	56	44	4.03	58.25	23.13	7.96	450		
1422B10F	1422B10	60.13	48.06	10.69	12	10	56	44	5.03	58.25	23.13	9.96	475		
1422D10F	1422D10	60.13	60.06	10.69	12	10	56	56	5.03	58.25	29.13	9.96	550		
1422E10F	1422E10	72.13	60.06	10.69	12	10	68	56	5.03	70.25	29.13	9.96	625		
1422F10F	1422F10	72.13	72.06	10.69	12	10	68	68	5.03	70.25	35.13	9.96	740		
1422B12F	1422B12	60.13	48.06	12.69	12	10	56	44	5.03	58.25	23.13	11.96	491		
1422D12F	1422D12	60.13	60.06	12.69	12	10	56	56	5.03	58.25	29.13	11.96	567		
1422E12F	1422E12	72.13	60.06	12.69	12	10	68	56	5.03	70.25	29.13	11.96	645		
1422F12F	1422F12	72.13	72.06	12.69	12	10	68	68	5.03	70.25	35.13	11.96	750		
1422B16F	1422B16	60.13	48.06	16.69	12	10	56	44	8.03	58.25	23.13	15.96	520		
1422D16F	1422D16	60.13	60.06	16.69	12	10	56	56	8.03	58.25	29.13	15.96	540		
1422E16F	1422E16	72.13	60.06	16.69	12	10	68	56	8.03	70.25	29.13	15.96	740		
1422F16F	1422F16	72.13	72.06	16.69	12	10	68	68	8.03	70.25	35.13	15.96	795		
1422B20F	1422B20	60.13	48.06	20.69	12	10	56	44	10.03	58.25	23.13	19.96	506		
1422E20F	1422E20	72.13	60.06	20.69	12	10	68	56	10.03	70.25	29.13	19.96	750		
1422F20F	1422F20	72.13	72.06	20.69	12	10	68	68	10.03	70.25	35.13	19.96	885		
1422B24F	1422B24	60.13	48.06	24.69	12	10	56	44	12.03	58.25	23.13	23.96	550		
1422D24F	1422D24	60.13	60.06	24.69	12	10	56	56	12.03	58.25	29.13	23.96	660		
1422E24F	1422E24	72.13	60.06	24.69	12	10	68	56	12.03	70.25	29.13	23.96	810		
1422F24F	1422F24	72.13	72.06	24.69	12	10	68	68	12.03	70.25	35.13	23.96	945		

Technical references and CAD downloads available at www.hammondmfg.com

All dimensions in inches unless specified otherwise

Quality Products. Service Excellence.

1422 Series Two Door Floormount Enclosures - NEMA 4

Continuous Hinge, Clamped Doors

Industrial Enclosures

Floormount Enclosures



Application

- Designed to house electrical, electronic, hydraulic or pneumatic controls and instruments.
- Provides protection where equipment may be hosed down or otherwise be very wet, or in outdoor applications for full weather protection.

Standards

- UL 508 Type 3R, 4 and 12
- CSA Type 3R, 4 and 12
- **Complies with**
 - NEMA Type 3R, 4 12 and 13
 - JIC EGP-1-1967
 - IEC 60529, IP66

Construction

- Formed 12 gauge steel.
- Smooth, continuously welded seams without knockouts, cutouts or holes.
- Body stiffeners are provided in the larger enclosures for extra rigidity.
- Heavy duty lifting eyebolts are provided with reinforcing support angles.
- Center post is removable for easy installation of the inner panel.
- Formed lip on door and top of enclosure opening exclude flowing liquids and contaminants.
- Continuously hinged doors may be removed by pulling the stainless steel hinge pin.
- Doors are secured with heavy duty stainless steel clamps.
- Provision for padlocking.
- 12" floor stands are welded to the enclosure.
- Seamless poured-in place gasket.
- Provision for light kit mounting.
- A removable 10 gauge inner panel is included.
- Panel supports are provided for easy panel installation.
- Collar studs are provided for mounting inner panels.
- A bonding stud is provided on the door and a grounding stud is provided in the enclosure for each door.
- A literature pocket is provided for the inside of the door.

Finish

- Cover and enclosure are finished in recoatable smooth ANSI 61 gray powder coating.
- Removable white inner panel is finished in white powder coating.

Accessories

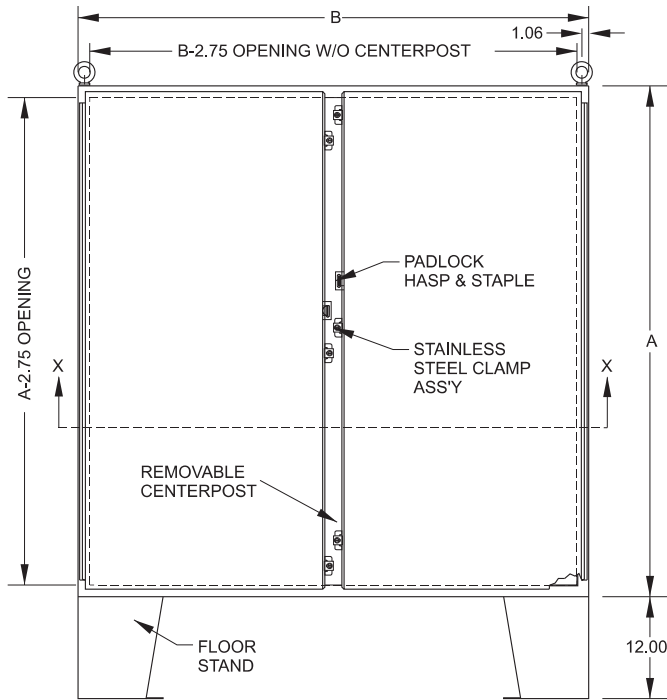
- Air conditioners...see page **349-367**
- Blowers...see page **392**
- Breather kits...see page **400-401**
- Door stop kit...see page **453**
- Drip shield kits...see page **451**
- Enclosure stabilizers...see page **456**
- Filter fans...see page **371-384**
- Floor stand kits...see page **453**
- Gland Plates...see page **446**
- Heaters...see page **393-396**
- Inner Panels...see page **437**
- Light kit...see page **452**
- Louvered ventilating plates
...see page **402**
- Thermostats...see page **397**
- Window kits...see page **449**

1422 Series Two Door Floormount Enclosures - NEMA 4

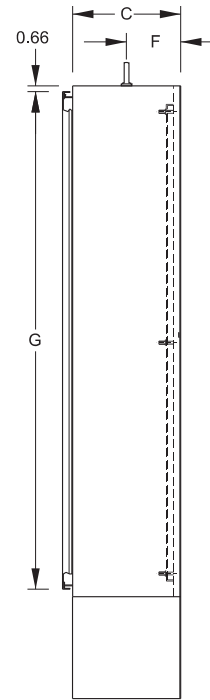
Continuous Hinge, Clamped Doors

Industrial Enclosures

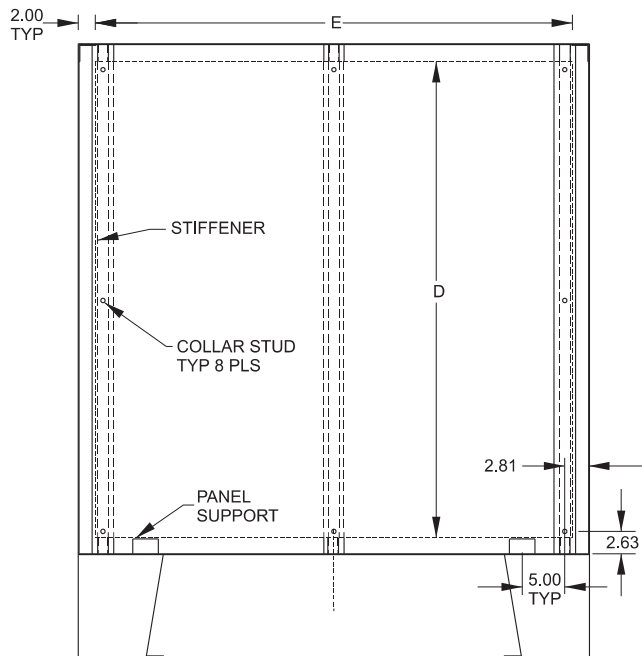
Floormount Enclosures



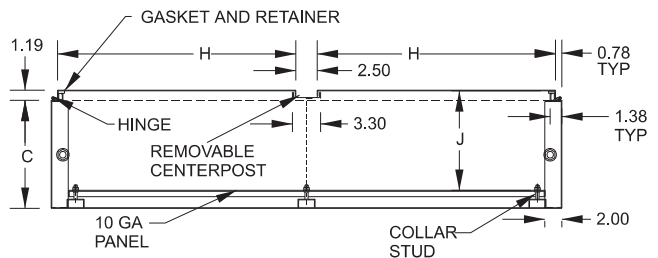
Front View



Side View



View with Doors Open



Section X-X

Part No.	A	B	C	Body Gauge	Panel Gauge	Panel Size		F	G	H	J	Ship Wt. lbs.
1422N4B10F	60.13	48.06	10.69	12	10	56	44	5.3	58.59	22	9.87	475
1422N4D12F	60.13	60.06	12.69	12	10	56	56	6.3	58.59	28	11.87	567
1422N4E12F	72.13	60.06	12.69	12	10	68	56	6.3	70.59	28	11.87	645
1422N4F12F	72.13	72.06	12.69	12	10	68	68	6.3	70.59	34	11.87	750
1422N4F24F	72.13	72.06	24.69	12	10	68	68	12.3	70.59	34	23.87	945

Technical references and CAD downloads available at www.hammondmfg.com

All dimensions in inches unless specified otherwise

Quality Products. Service Excellence.

1422 Series Two Door Floormount Enclosures - NEMA 4

Continuous Hinge, Quarter Turn Latches

Industrial Enclosures

Floormount Enclosures



Application

- Designed to house electrical, electronic, hydraulic or pneumatic controls and instruments.
- Provides protection where equipment may be hosed down or otherwise be very wet, or in outdoor applications for full weather protection.

Standards

- UL 508 Type 3R, 4 and 12
- CSA Type 3R, 4 and 12
- **Complies with**
 - NEMA Type 3R, 4 12 and 13
 - JIC EGP-1-1967
 - IEC 60529, IP66

Construction

- Formed 12 gauge steel.
- Smooth, continuously welded seams without knockouts, cutouts or holes.
- Body stiffeners are provided in the larger enclosures for extra rigidity.
- Heavy duty lifting eyebolts are provided with reinforcing support angles.
- Center post is removable for easy installation of the inner panel.
- Formed lip on door and top of enclosure opening exclude flowing liquids and contaminants.
- Continuously hinged doors may be removed by pulling the stainless steel hinge pin.
- Doors are secured with quarter turn latches.
- Provision for padlocking.
- 12" floor stands are welded to the enclosure.
- Seamless poured-in place gasket.
- Provision for light kit mounting.
- A removable 10 gauge inner panel is included.
- Panel supports are provided for easy panel installation.
- Collar studs are provided for mounting inner panels.
- A bonding stud is provided on the door and a grounding stud is provided in the enclosure for each door.
- A literature pocket is provided for the inside of the door.

Finish

- Cover and enclosure are finished in recoatable smooth ANSI 61 gray powder coating.
- Removable white inner panel is finished in white powder coating.

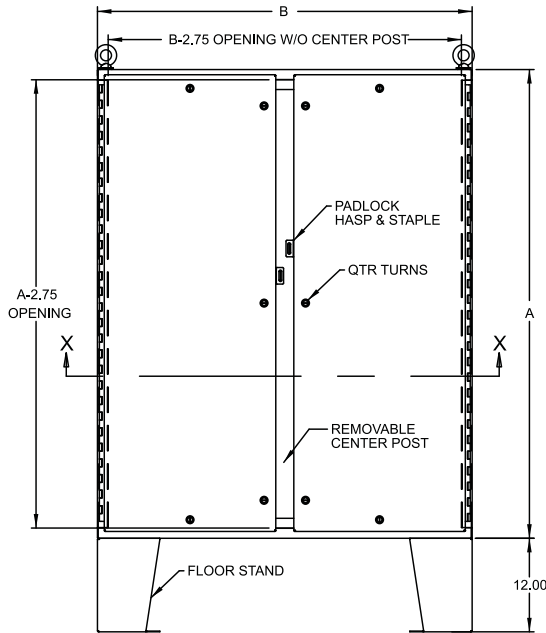
Accessories

- Air conditioners...see page **349-367**
- Blowers...see page **392**
- Breather kits...see page **400-401**
- Door stop kit...see page **453**
- Drip shield kits...see page **451**
- Enclosure stabilizers...see page **456**
- Filter fans...see page **371-384**
- Floor stand kits...see page **453**
- Gland Plates...see page **446**
- Heaters...see page **393-396**
- Inner Panels...see page **437**
- Light kit...see page **452**
- Louvered ventilating plates
...see page **402**
- Thermostats...see page **397**
- Window kits...see page **449**

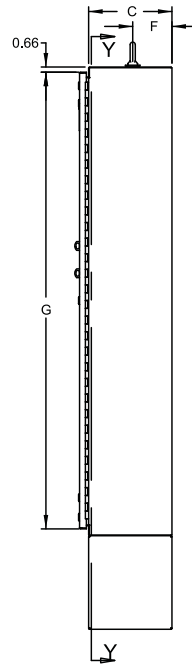


1422 Series Two Door Floormount Enclosures - NEMA 4

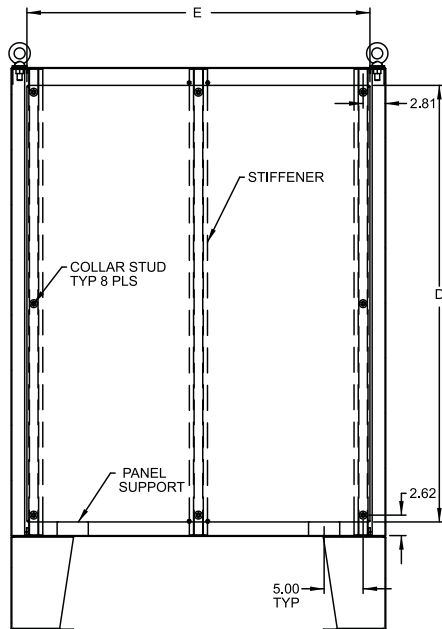
Continuous Hinge, Quarter Turn Latches



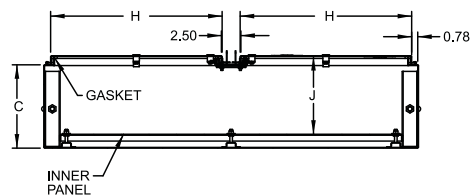
Front View



Side View



Section Y-Y



Section X-X

Part No.	A	B	C	Body Gauge	Panel Gauge	Panel Size		F	G	H	J	Ship Wt. lbs.
1422N4B10FQT	60.13	48.06	10.69	12	10	56	44	5.3	58.59	22	9.87	475
1422N4D12FQT	60.13	60.06	12.69	12	10	56	56	6.3	58.59	28	11.87	567
1422N4E12FQT	72.13	60.06	12.69	12	10	68	56	6.3	70.59	28	11.87	645
1422N4F12FQT	72.13	72.06	12.69	12	10	68	68	6.3	70.59	34	11.87	750
1422N4F24FQT	72.13	72.06	24.69	12	10	68	68	12.3	70.59	34	23.87	945

Technical references and CAD downloads available at www.hammondmfg.com

All dimensions in inches unless specified otherwise

Quality Products. Service Excellence.

HN4 Series Two Door Floormount Enclosures - NEMA 4

Continuous Hinge, 3pt Handle

Industrial Enclosures

Floormount Enclosures



**Inner
Panel
Included**



Application

- Designed to house electrical, electronic, hydraulic or pneumatic controls and instruments.
- Provides protection where equipment may be hosed down or otherwise be very wet, or in outdoor applications for full weather protection.

Standards

- UL 508 Type 3R, 4 and 12
- CSA Type 3R, 4 and 12
- **Complies with**
 - NEMA Type 3R, 4 12 and 13
 - IEC 60529, IP66

Construction

- Formed 12 gauge steel.
- Smooth, continuously welded seams without knockouts, cutouts or holes.
- Lifting eyes provide for easy enclosure handling.
- Doors are supported with heavy gauge continuous hinges.
- 3-pt padlocking door handle.
- Seamless poured-in place gasket.
- Provision for light kit mounting.
- A grounding stud is provided in the enclosure and a bonding stud is provided on the door.
- Center post is removable for easy installation of the inner panel.
- 12" floor stands are welded to the enclosure.
- Body stiffeners are provided in the larger enclosures for extra rigidity.
- Formed lip on door and top of enclosure opening exclude flowing liquids and contaminants.
- A removable 10 gauge inner panel is included.
- Panel supports are provided for easy panel installation.
- Collar studs are provided for mounting inner panels.
- A literature pocket is provided for the inside of the door.

Finish

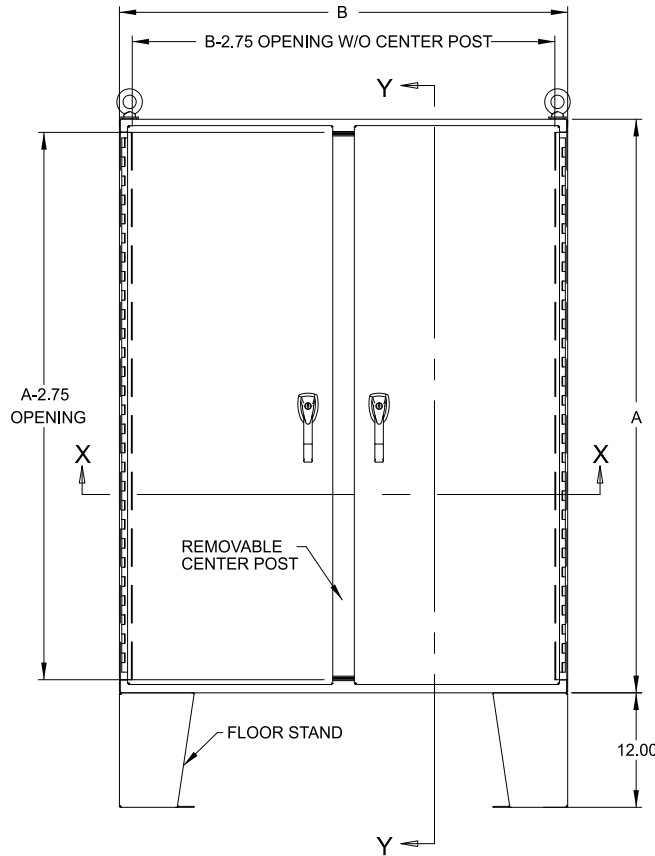
- Cover and enclosure are finished in recoatable smooth ANSI 61 gray powder coating.
- Removable white inner panel is finished in white powder coating.

Accessories

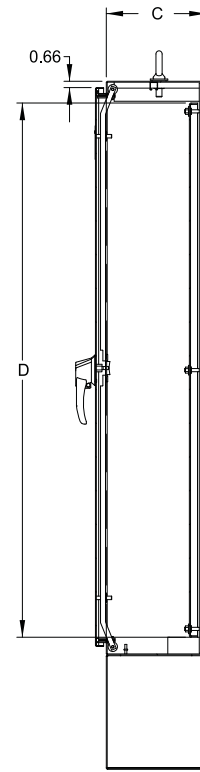
- Air conditioners...see page **349-367**
- Blowers...see page **392**
- Breather kits...see page **400-401**
- Door stop kit...see page **453**
- Drip shield kits...see page **451**
- Enclosure stabilizers...see page **456**
- Filter fans...see page **371-384**
- Floor stand kits...see page **453**
- Gland Plates...see page **446**
- Heaters...see page **393-396**
- Inner Panels...see page **437**
- Light kit...see page **452**
- Louvered ventilating plates
...see page **402**
- Thermostats...see page **397**
- Window kits...see page **449**

HN4 Series Two Door Floormount Enclosures - NEMA 4

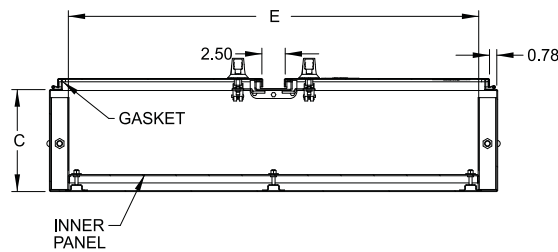
Continuous Hinge, 3pt Handle



Front View



Section Y-Y



Section X-X

Part No.	Overall Dimensions			Inner Panel (Included)	
	A	B	C	D	E
HN4FM604810	60.13	48.06	10.69	56	44
HN4FM606012	60.13	60.06	12.69	56	56
HN4FM726012	72.13	60.06	12.69	68	56
HN4FM727212	72.13	72.06	12.69	68	68
HN4FM727224	72.13	72.06	24.69	68	68

Technical references and CAD downloads available at www.hammondmfg.com

All dimensions in inches unless specified otherwise

Quality Products. Service Excellence.

1418 Series Single Door Freestanding Enclosures - NEMA 12

Single or Dual Access

Industrial Enclosures

Freestanding Enclosures



**Panel
Sold
Separately**



Application

- Designed to house electrical, electronic, hydraulic or pneumatic controls with provision for panel mounting or rack mounting of equipment.
- Provides a degree of protection from falling dirt, dust, oil and water.
- Available with front access only or both front and rear access.
- A variety of inner panels, rack mounting rails and swing out frames are available to provide flexibility in mounting arrangements.

Standards

- UL 508 Type 12
- CSA Type 12
- **Complies with**
 - NEMA Type 12
 - IEC 60529, IP54

Construction

- Formed 12 gauge steel.
- Smooth, continuously welded seams without knockouts, cutouts or holes.
- Lifting eyes provide for easy enclosure handling.
- Doors are supported with heavy gauge continuous hinges.
- Doors are secured with a three point latch and operated with a key locking automotive type handle.
- Latch rods are equipped with rollers for easier door closing.
- Oil resistant gaskets are permanently secured.
- Provision for light kit mounting.
- Mounting channels are welded on the inside of the enclosure for mounting of optional inner panels or rack equipment rails.
- A grounding stud is provided in the enclosure and a bonding stud is provided on the door.
- A literature pocket is provided for the inside of the door (Two pockets are provided for dual access units).

Finish

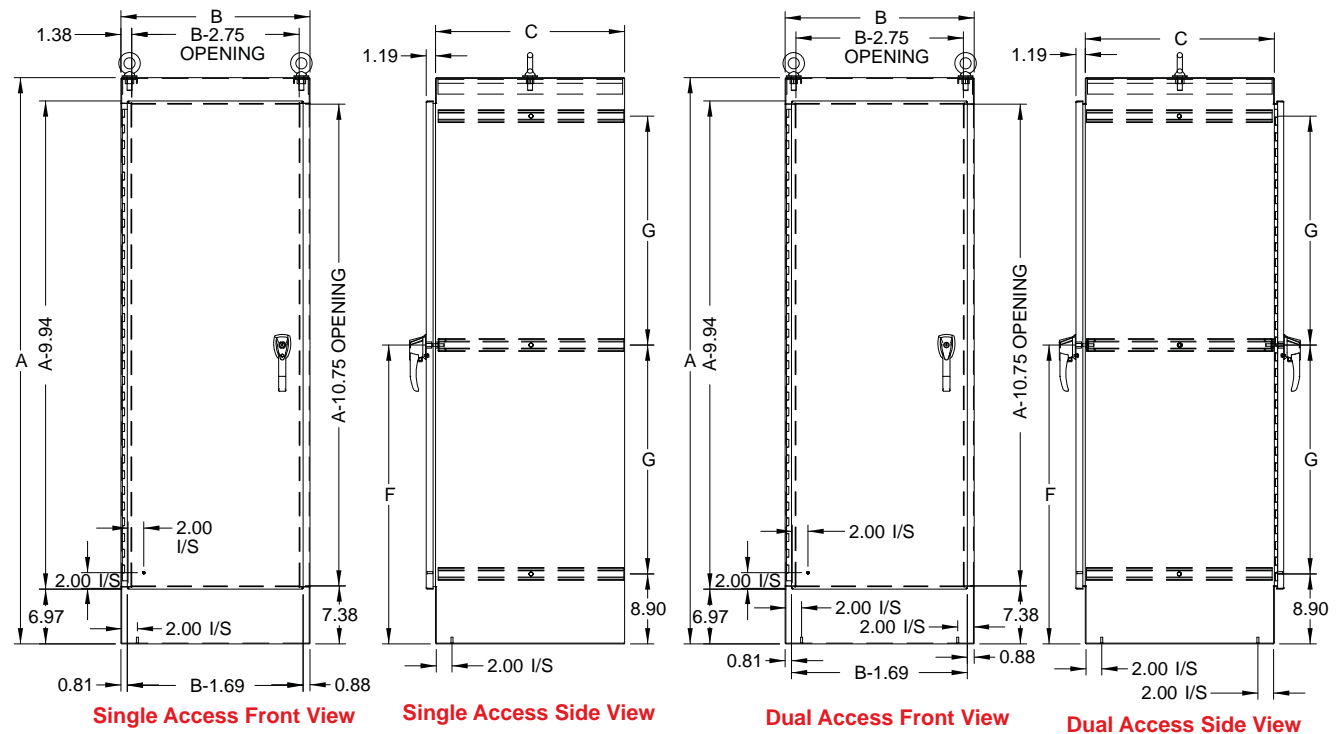
- Cover and enclosure are finished in recoatable smooth ANSI 61 gray powder coating on the outside, with white powder coating on the inside.
- Optional inner panels, rails, frames and supports are available in white powder coating.

Accessories

- Air conditioners...see page **349-367**
- Blowers...see page **392**
- Breather kits...see page **400-401**
- Door stop kit...see page **453**
- Drip shield kits...see page **451**
- Filter fans...see page **371-384**
- Floor stand kits...see page **453**
- Gland Plates...see page **446**
- Heaters...see page **393-396**
- Inner Panels...see page **57**
- Light kit...see page **452**
- Louvered ventilating plates...see page **402**
- Swing frame...see page **58**
- Thermostats...see page **397**
- Window kits...see page **449**

1418 Series Single Door Freestanding Enclosures - NEMA 12

Single or Dual Access



Note: 4 eyebolts are provided for 30.06" and 36.06" deep enclosures (both dual and single access)

Single Access

Part No.	A	B	C	F	G	Opt'l Full Panel ¹	Ship Wt. lbs.
1418TW18	60.06	24.06	18.06	32.03	23.13	60TWF	210
1418W18	72.06	24.06	18.06	38.03	29.13	72WFW	246
1418X18	72.06	30.06	18.06	38.03	29.13	72XFW	285
1418Y18	72.06	36.06	18.06	38.03	29.13	72YFW	325
1418YW20	90.06	24.06	20.06	47.03	38.13	90YFW	313
1418YY20	90.06	36.06	20.06	47.03	38.13	90YFW	406
1418TY24	60.06	36.06	24.06	32.03	23.13	60TYFW	325
1418W24	72.06	24.06	24.06	38.03	29.13	72WFW	300
1418X24	72.06	30.06	24.06	38.03	29.13	72XFW	335
1418Y24	72.06	36.06	24.06	38.03	29.13	72YFW	370
1418YY24	90.06	36.06	24.06	47.03	38.13	90YFW	440
1418W30	72.06	24.06	30.06	38.03	29.13	72WFW	355
1418Y30	72.06	36.06	30.06	38.03	29.13	72YFW	420
1418W36	72.06	24.06	36.06	38.03	29.13	72WFW	400
1418Y36	72.06	36.06	36.06	38.03	29.13	72YFW	465
1418YY36	90.06	36.06	36.06	47.03	38.13	90YFW	525

¹ Refers to Optional Full Height/Full Width Panels. Depth Panels & Half Height Width panels are also available...see page 57.

Dual Access

Part No.	A	B	C	F	G	Opt'l Full Panel ¹	Ship Wt. lbs.
1418WD24	72.06	24.06	24.06	38.03	29.13	72WFW	325
1418XD24	72.06	30.06	24.06	38.03	29.13	72XFW	424
1418YD24	72.06	36.06	24.06	38.03	29.13	72YFW	474
1418YYD24	90.06	36.06	24.06	47.03	38.13	90YFW	540
1418WD30	72.06	24.06	30.06	38.03	29.13	72WFW	375
1418WD36	72.06	24.06	36.06	38.03	29.13	72WFW	425
1418YD36	72.06	36.06	36.06	38.03	29.13	72YFW	495
1418YYD36	90.06	36.06	36.06	47.03	38.13	90YFW	555

¹ Refers to Optional Full Height/Full Width Panels. Depth Panels & Half Height Width panels are also available...see page 57.

Maximum Useable Depth

Single Access only
From inside surface of front door to front face of Full Width Panel
Inner Panel in Full Back Position

Enclosure Depth (In.)	Maximum Usable Depth
18.06	17.80
20.06	19.80
24.06	23.80
30.06	29.80
36.06	35.80

1418 N4 Series Freestanding Enclosures - NEMA 4

Single Door

Industrial Enclosures

Freestanding Enclosures



**Panel
Sold
Separately**



Application

- Designed to house electrical, electronic, hydraulic or pneumatic controls with provision for panel mounting or rack mounting of equipment.
- Provides protection where equipment may be hosed down or otherwise be very wet, or in specific applications where corrosion is a serious problem.
- A variety of inner panels, rack mounting rails and swing out frames are available to provide flexibility in mounting arrangements.

Standards

- UL 508 Type 3R, 4 and 12
- CSA Type 3R, 4 and 12
- **Complies with**
 - NEMA Type 3R, 4, 12 and 13
 - IEC 60529, IP66

Construction

- Formed 12 gauge steel.
- Smooth, continuously welded seams without knockouts, cutouts or holes.
- Lifting eyes provide for easy enclosure handling.
- Doors are supported with heavy gauge continuous hinges.
- Doors are secured with heavy duty stainless steel clamps.
- Seamless poured-in place gasket.
- Provision for light kit mounting.
- Mounting channels are welded on the inside of the enclosure for mounting of optional inner panels or rack equipment rails.
- A grounding stud is provided in the enclosure and a bonding stud is provided on the door.

Finish

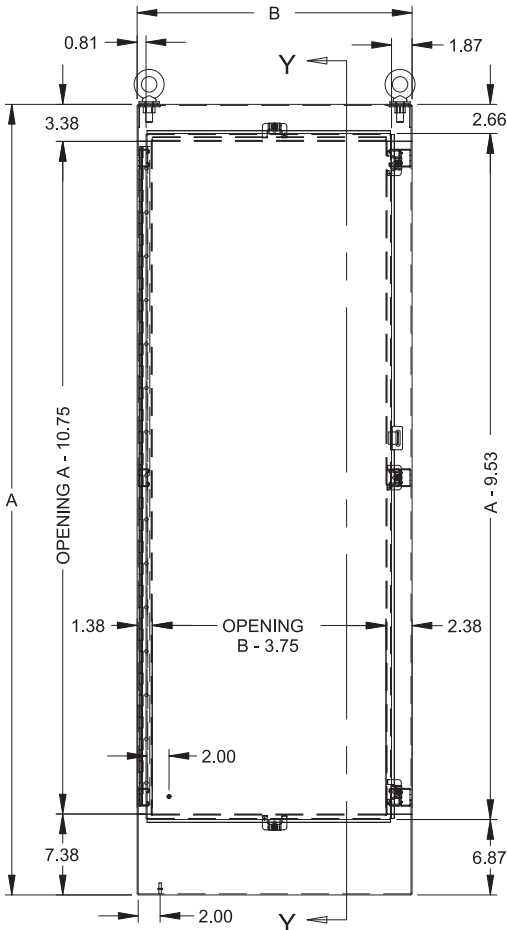
- Cover and enclosure are finished in recoatable smooth ANSI 61 gray powder coating.
- Optional inner panels are available in white powder coating, or unpainted galvanized steel.

Accessories

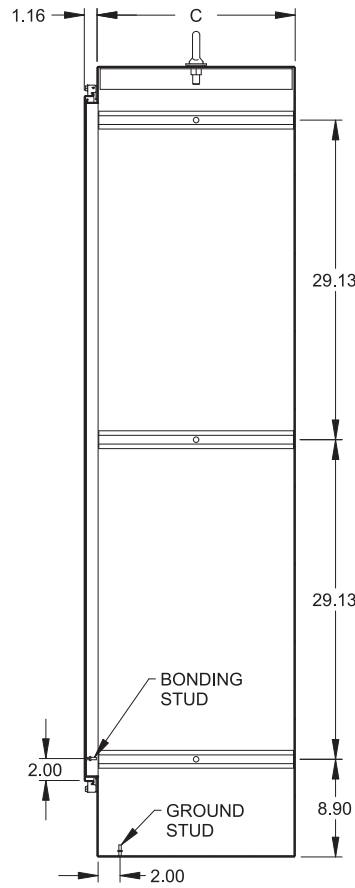
- Air conditioners...see page **349-367**
- Blowers...see page **392**
- Breather kits...see page **400-401**
- Door stop kit...see page **453**
- Drip shield kits...see page **451**
- Filter fans...see page **371-384**
- Gland Plates...see page **446**
- Heaters...see page **393-396**
- Inner Panels...see page **57**
- Light kit...see page **452**
- Panel rails...see page **58**
- Swing frame...see page **58**
- Thermostats...see page **397**
- Window kits...see page **449**

1418 N4 Series Freestanding Enclosures - NEMA 4

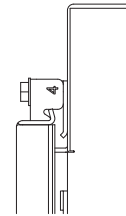
Single Door



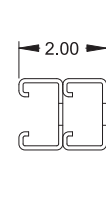
Front View



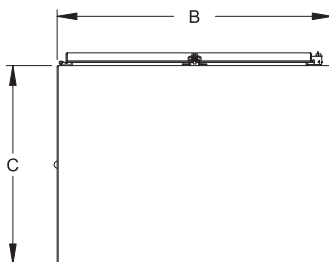
Section Y-Y



Top Lip Detail



Strut Detail - Right Side



Bottom View

Part No.	A	B	C	Optional Full Panel ¹	Ship Wt. lbs.
1418N4W18	72.06	25.06	18.06	72WFW	290
1418N4X24	72.06	31.06	24.06	72XFW	250
1418N4Y24	72.06	37.06	24.06	72YFW	390

¹ Refers to Optional Full Height/Full Width Panels. Depth Panels & Half Height Width panels are also available.

1418 N4 Series Freestanding Enclosures - NEMA 4

Single Door with Quarter Turn Latches

Industrial Enclosures



**Panel
Sold
Separately**



Freestanding Enclosures

Application

- Designed to house electrical, electronic, hydraulic or pneumatic controls with provision for panel mounting or rack mounting of equipment.
- Provides protection where equipment may be hosed down or otherwise be very wet, or in specific applications where corrosion is a serious problem.
- A variety of inner panels, rack mounting rails and swing out frames are available to provide flexibility in mounting arrangements.

Standards

- UL 508 Type 3R, 4 and 12
- CSA Type 3R, 4 and 12
- **Complies with**
 - NEMA Type 3R, 4, 12 and 13
 - IEC 60529, IP66

Construction

- Formed 12 gauge steel.
- Smooth, continuously welded seams without knockouts, cutouts or holes.
- Lifting eyes provide for easy enclosure handling.
- Doors are supported with heavy gauge continuous hinges.
- Doors are secured quarter turn latches.
- Seamless poured-in place gasket.
- Provision for light kit mounting.
- Mounting channels are welded on the inside of the enclosure for mounting of optional inner panels or rack equipment rails.
- A grounding stud is provided in the enclosure and a bonding stud is provided on the door.

Finish

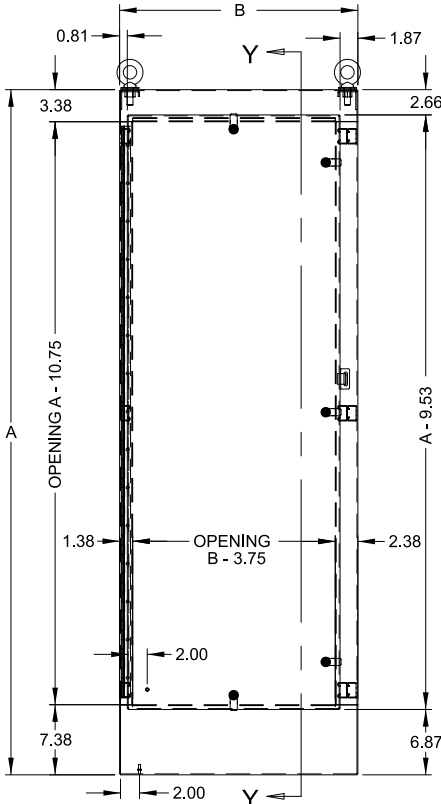
- Cover and enclosure are finished in recoatable smooth ANSI 61 gray powder coating.
- Optional inner panels are available in white powder coating, or unpainted galvanized steel.

Accessories

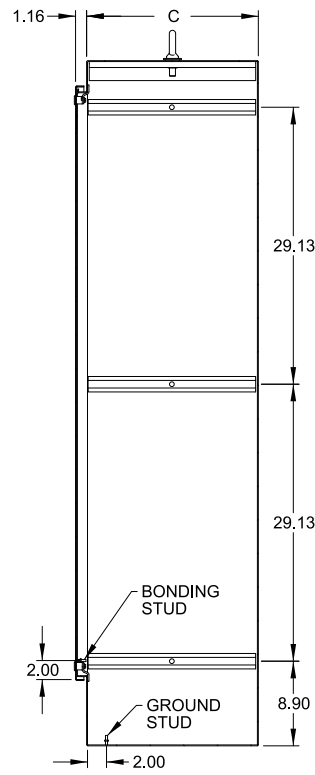
- Air conditioners...*see page 349-367*
- Blowers...*see page 392*
- Breather kits...*see page 400-401*
- Door stop kit...*see page 453*
- Drip shield kits...*see page 451*
- Filter fans...*see page 371-384*
- Gland Plates...*see page 446*
- Heaters...*see page 393-396*
- Inner Panels...*see page 57*
- Light kit...*see page 452*
- Panel rails...*see page 58*
- Swing frame...*see page 58*
- Thermostats...*see page 397*
- Window kits...*see page 449*

1418 N4 Series Freestanding Enclosures - NEMA 4

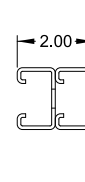
Single Door with Quarter Turn Latches



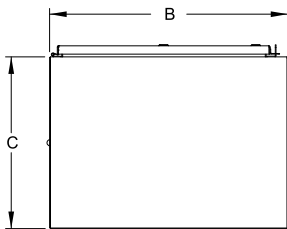
Front View



Section Y-Y



Strut Detail - Right Side



Bottom View

Part No.	A	B	C	Optional Full Panel ¹	Ship Wt. lbs.
1418N4W18QT	72.06	25.06	18.06	72WFW	290
1418N4X24QT	72.06	31.06	24.06	72XFW	250
1418N4Y24QT	72.06	37.06	24.06	72YFW	390

¹ Refers to Optional Full Height/Full Width Panels. Depth Panels & Half Height Width panels are also available.

HN4 Series Freestanding Enclosures - NEMA 4

Single Door w/ 3pt Handle

Industrial Enclosures

Freestanding Enclosures



**Panel
Sold
Separately**



Application

- Designed to house electrical, electronic, hydraulic or pneumatic controls with provision for panel mounting or rack mounting of equipment.
- Provides protection where equipment may be hosed down or otherwise be very wet, or in specific applications where corrosion is a serious problem.
- A variety of inner panels, rack mounting rails and swing out frames are available to provide flexibility in mounting arrangements.

Standards

- UL 508 Type 3R, 4 and 12
- CSA Type 3R, 4 and 12
- **Complies with**
 - NEMA Type 3R, 4, 12 and 13
 - IEC 60529, IP66

Construction

- Formed 12 gauge steel.
- Smooth, continuously welded seams without knockouts, cutouts or holes.
- Lifting eyes provide for easy enclosure handling.
- Doors are supported with heavy gauge continuous hinges.
- New 3-pt padlocking door handle.
- Seamless poured-in place gasket.
- Provision for light kit mounting.
- A grounding stud is provided in the enclosure and a bonding stud is provided on the door.
- Mounting channels are welded on the inside of the enclosure for mounting of optional inner panels or rack equipment rails.

Finish

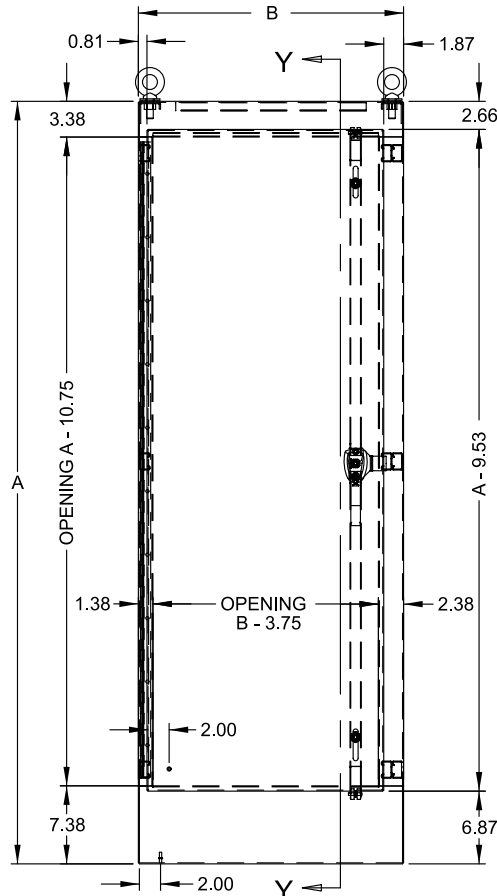
- Cover and enclosure are finished in recoatable smooth ANSI 61 gray powder coating.
- Optional inner panels are available in white powder coating, or unpainted galvanized steel.

Accessories

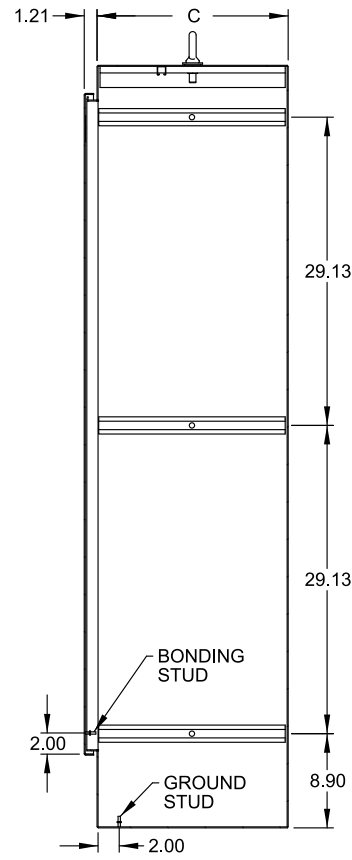
- Air conditioners...see page **349-367**
- Blowers...see page **392**
- Breather kits...see page **400-401**
- Door stop kit...see page **453**
- Drip shield kits...see page **451**
- Filter fans...see page **371-384**
- Gland Plates...see page **446**
- Heaters...see page **393-396**
- Inner Panels...see page **57**
- Light kit...see page **452**
- Panel rails...see page **58**
- Swing frame...see page **58**
- Thermostats...see page **397**
- Window kits...see page **449**

HN4 Series Freestanding Enclosures - NEMA 4

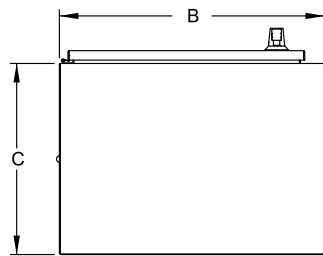
Single Door w/ 3pt Handle



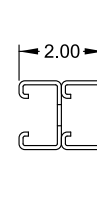
Front View



Section Y-Y



Bottom View



Strut Detail - Right Side

Part No.	A	B	C	Optional Full Panel ¹
HN4FS722518	72.06	25.06	18.06	72WFW
HN4FS723124	72.06	31.06	24.06	72XFW
HN4FS723724	72.06	37.06	24.06	72YFW

¹ Refers to Optional Full Height/Full Width Panels. Depth Panels & Half Height Width panels are also available.

Industrial Enclosures Freestanding Enclosures

1418 Series Two Door Freestanding Enclosures - NEMA 12

Single or Dual Access

Industrial Enclosures
Freestanding Enclosures



**Panel
Sold
Separately**



Application

- Designed to house electrical, electronic, hydraulic or pneumatic controls with provision for panel mounting or rack mounting of equipment.
- Provides a degree of protection from falling dirt, dust, oil and water.
- Available with front access only or both front and rear access.
- A variety of inner panels, rack mounting angles and swing frames are available to provide flexibility in equipment mounting.

Standards

- UL 508 Type 12
- CSA Type 12
- **Complies with**
 - NEMA Type 12
 - IEC 60529, IP54

Construction

- Formed 12 gauge steel (10 gauge on back of single access enclosures).
- Smooth, continuously welded seams without knockouts, cutouts or holes.
- Stiffeners on the rear of the enclosure provide rigidity. (Single access)
- Lifting eyes provide for easy enclosure handling.
- Doors are supported with heavy gauge continuous hinges.
- Doors are secured with a three point latch and operated with a key locking automotive type handle.
- Latch rods are equipped with rollers for easier door closing.
- Oil resistant gaskets are permanently secured.
- Provision for light kit mounting.
- Mounting channels are welded on the inside of the enclosure for mounting of optional inner panels or rack equipment rails.
- A bonding stud is provided on the door and a grounding stud is provided in the enclosure for each door.
- A literature pocket is provided for the inside of the door (Two pockets are provided for dual access units).

Finish

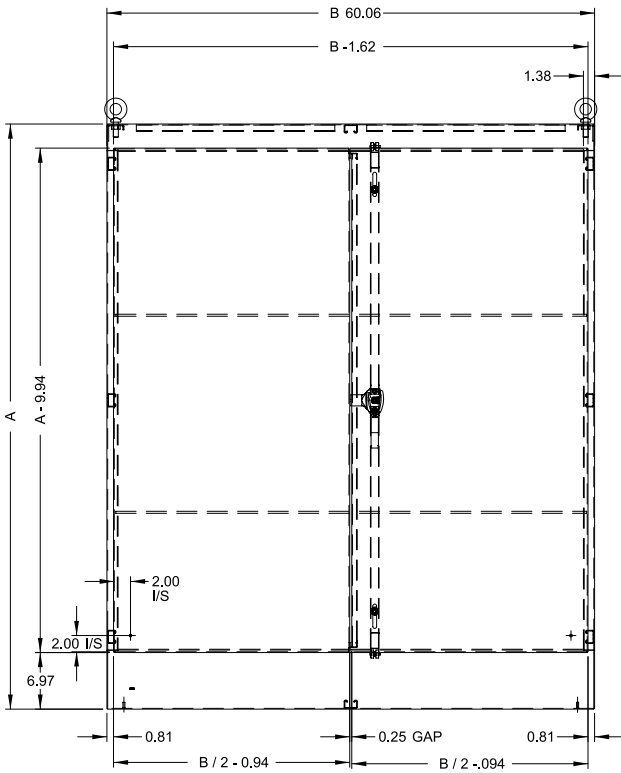
- Cover and enclosure are finished in recoatable smooth ANSI 61 gray powder coating on the outside, with white powder coating on the inside.
- Optional inner panels, rails, frames and supports are available in white powder coating.

Accessories

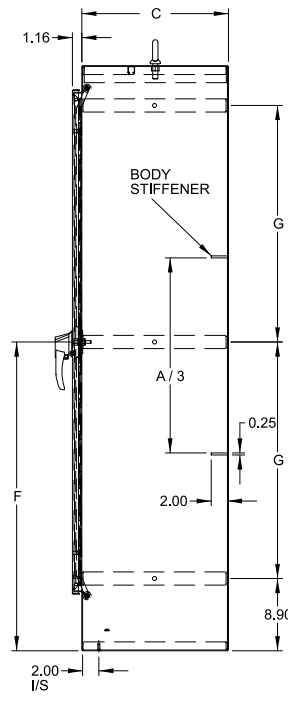
- Air conditioners...*see page 349-367*
- Blowers...*see page 392*
- Breather kits...*see page 400-401*
- Center panel support...*see page 57*
- Door stop kit...*see page 453*
- Drip shield kits...*see page 451*
- Enclosure stabilizers...*see page 456*
- Filter fans...*see page 371-384*
- Floor stand kits...*see page 453*
- Gland Plates...*see page 446*
- Heaters...*see page 393-396*
- Inner Panels...*see page 57*
- Light kit...*see page 452*
- Louvered ventilating plates
...*see page 402*
- Thermostats...*see page 397*
- Window kits...*see page 449*

1418 Series Two Door Freestanding Enclosures - NEMA 12

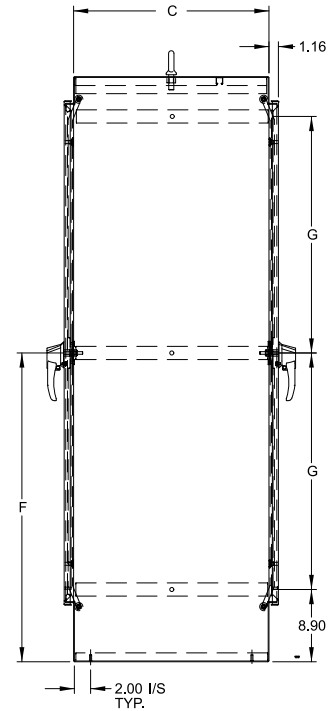
Single or Dual Access



Single or Dual Access - Front View



Single Access - Side View



Dual Access - Side View

Note: 4 eyebolts are provided for 36.06" deep enclosures (both dual and single access)

Single Access

Part No.	A	B	C	F	G	Optional Full Panel ¹	Ship Wt. lbs.
1418AW18	60.06	48.06	18.06	32.03	23.13	60AWFW	550
1418ZW18	72.06	48.06	18.06	38.03	29.13	72ZWFW	575
1418ZX18	72.06	60.06	18.06	38.03	29.13	72ZXFW	625
1418ZY18	72.06	72.06	18.06	38.03	29.13	72ZYFW	700
1418BW20	90.06	48.06	20.06	47.03	38.13	90BWFW	650
1418BY20	90.06	72.06	20.06	47.03	38.13	90BYFW	900
1418BY24	90.06	72.06	24.06	47.03	38.13	90BYFW	950
1418ZW24	72.06	48.06	24.06	38.03	29.13	72ZWFW	600
1418ZX24	72.06	60.06	24.06	38.03	29.13	72ZXFW	650
1418ZY24	72.06	72.06	24.06	38.03	29.13	72ZYFW	740
1418ZX36	72.06	60.06	36.06	38.03	29.13	72ZXFW	850
1418BY36	90.06	72.06	36.06	47.03	38.13	90BYFW	1100

¹ Refers to Optional Full Height/Full Width Panels. Depth Panels & Half Height Width panels are also available...see page 57.

Dual Access

Part No.	A	B	C	F	G	Optional Full Panel ¹	Ship Wt. lbs.
1418ZWD24	72.06	48.06	24.06	38.03	29.13	72ZWFW	625
1418ZXD24	72.06	60.06	24.06	38.03	29.13	72ZXFW	650
1418ZYD24	72.06	72.06	24.06	38.03	29.13	72ZYFW	725
1418BYD24	90.06	72.06	24.06	47.03	38.13	90BYFW	1000
1418ZXD36	72.06	60.06	36.06	38.03	29.13	72ZXFW	900

¹ Refers to Optional Full Height/Full Width Panels. Depth Panels & Half Height Width panels are also available...see page 57.

1418 Series Freestanding Enclosures - NEMA 4, 12

Accessories

Industrial Enclosures Freestanding Enclosures

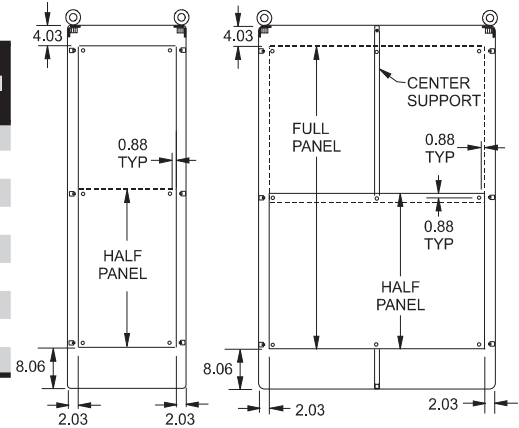
Inner Panels

- Formed from 10 gauge or 12 gauge steel.
- All double door width panels are 10 gauge steel.
- Width panels are available in full or half height.
- Depth panels are available in full height only.
- Depth and width panels are provided with all mounting hardware and center support where required.
- Half panel can be mounted in the top or bottom half of the enclosure.
- Finished in white.

Depth Panels

Part No.	Encl. Height	Encl.		
		Min Depth	Panel W	Panel H
60FD14	60	18	14	48
72FD9	72	18	9	60
72FD14	72	18	14	60
72FD20	72	24	20	60
72FD26	72	36	26	60
90FD9	90	18	9	78
90FD14	90	18	14	78
90FD20	90	24	20	78
90FD26	90	36	26	78

Side Mounted Panels for Single and Double Door Enclosures



Front View Single Door

Front View Double Door



Single Door Width Panels

Steel Part No.	Galv. Steel Part No.	Description	Enclosure	Panel Size
60TFFW	60TFFWG	Full Panel	60 x 24	48.00 x 20
60TFFH	60TFFHWG	Half Panel		24.87 x 20
72TFFW	72TFFWG	Full Panel	72 x 24	60.00 x 20
72TFFH	72TFFHWG	Half Panel		30.87 x 20
90TFFW	90TFFWG	Full Panel	90 x 24	78.00 x 20
90TFFH	90TFFHWG	Half Panel		39.87 x 20
72XFHW	72XFHWG	Full Panel	72 x 30	60.00 x 26
72XHHW	72XHHWG	Half Panel		30.87 x 26
60TYFW	60TYFWG	Full Panel	60 x 36	48.00 x 32
60TYFH	60TYFHWG	Half Panel		24.87 x 32
72YFW	72YFWG	Full Panel	72 x 36	60.00 x 32
72YFH	72YFHWG	Half Panel		30.87 x 32
90YFW	90YFWG	Full Panel	90 x 36	78.00 x 32
90YFH	90YFHWG	Half Panel		39.87 x 32

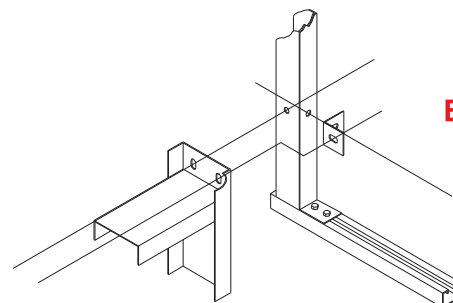
Double Door Width Panels

Steel Part No.	Galv. Steel Part No.	Description	Enclosure	Panel Size
60AFFF	60AFFWG	Full Panel	60 x 48	48.00 x 44
60AFFFH	60AFFFHWG	Half Panel		24.88 x 44
72AFFF	72AFFWG	Full Panel	72 x 48	60.00 x 44
72AFFFH	72AFFFHWG	Half Panel		30.88 x 44
72XFFW	72XFFWG	Full Panel	72 x 60	60.00 x 56
72XFFH	72XFFHWG	Half Panel		30.88 x 56
72ZYFW	72ZYFWG	Full Panel	72 x 72	60.00 x 68
72ZYFH	72ZYFHWG	Half Panel		30.88 x 68
90BFFF	90BFFWG	Full Panel	90 x 48	78.00 x 44
90BFFFH	90BFFFHWG	Half Panel		39.88 x 44
90BYFW	90BYFWG	Full Panel	90 x 72	78.00 x 68
90BYFH	90BYFHWG	Half Panel		39.88 x 68

1418 CS Series Center Panel Supports

- Adapts panels, swing frames, and panel rails from single door enclosures so they can be used on double door enclosures.
- Suitable for single or dual access double door enclosures.
- Center panel support mounts into front to back mounting channels (top and bottom) found in two door enclosures.
- Allows a combination of two 20" panels in a 48" wide enclosure, two 26" panels in a 60" wide enclosure, or two 32" panels in a 72" wide enclosure.
- Width is adjustable from 1.91" to 2.34".
- Support may be positioned at any depth within the enclosure.
- Finished in white.

Part No.	Enclosure Ht.
1418ACS	60
1418ZCS	72
1418BCS	90



Bottom View

Technical references and CAD downloads available at www.hammondmfg.com

All dimensions in inches unless specified otherwise

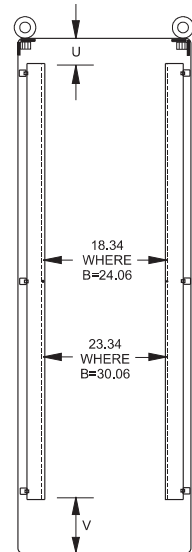
1418 Series Freestanding Enclosures - NEMA 4, 12

Accessories

Panel Rails

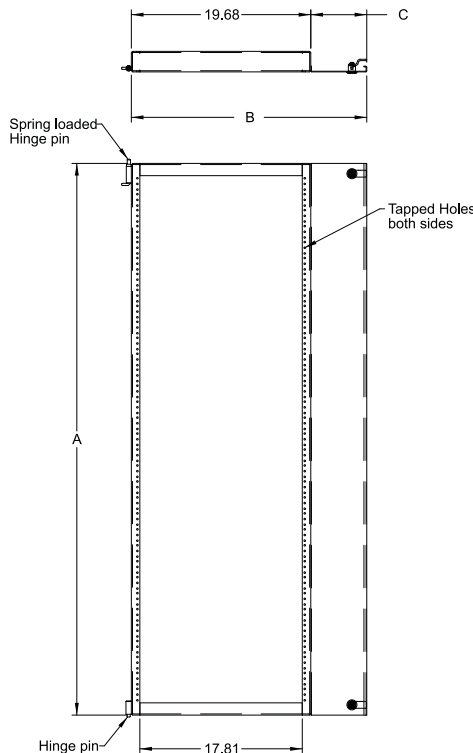
- Provides 19" or 24" mounting capability.
- Sold in **pairs**.
- Formed from 10 gauge steel.
- Drilled and tapped 10-32 to EIA spacing of 0.5" - 0.63" - 0.63" - 0.5".
- Finished in white.

Part No.	Panel Description	Enclosure Width	Panel Height	U	V
1418TFHP	Full Height	60 x 24	19	49.00	3.78 7.78
1418THHP	Half Height			26.25	3.59 7.59
1418WFHP	Full Height	72 x 24	19	61.25	3.66 7.66
1418WHHP	Half Height			31.50	3.97 7.67
1418XFHP	Full Height	72 x 30	24	61.25	3.66 7.66
1418XHHP	Half Height			31.50	3.97 7.67
1418YFHP	Full Height	90 x 24	19	78.75	3.91 7.91
1418YHHP	Half Height			40.25	4.09 8.09



Swing Out Frames For 19" Rack Mounting

- Formed from 10 gauge steel, frames are drilled and tapped to EIA requirements for mounting standard 19" rack accessories.
- Designed for installation in 72" and 90" high enclosures. The swing frame pivots on 0.5" pins within the enclosure for easy access to the rear of rack mounted equipment.
- The frame positions at any depth within the enclosure and is fastened in the closed position with quarter turn fasteners.
- Swing frames may be mounted in 30" and 36" wide enclosures, or in 60" and 72" wide enclosures with an optional center panel support...see page 57.
- One or two frames may be mounted in 30" and 36" wide enclosures with dual access, and 1,2,3 or 4 frames may be mounted in 60" and 72" wide dual access enclosures.
- Finished in black.



Part No.	A	B	C	D	E	Enclosure Height	Width Single Door	Width Double Door	Center Support
1418SFYY	87.86	33.72	4.28	78.5	75.31	90	36	72	1418 BCS
1418SFY	69.86	33.72	4.28	60.5	57.81	72	36	72	1418 ZCS
1418SFX	69.86	27.72	4.28	60.5	57.81	72	30	60	1418 ZCS

Note: When using a swing out frame on a double door enclosure, a Center Panel Support must also be used and ordered separately...see previous page.

1422 MD Series Multiple Door Enclosures - NEMA 12

Continuous Hinge, Padlockable Doors

Industrial Enclosures

Freestanding Enclosures



**Inner
Panel
Included**



Application

- Designed to house electrical, electronic, hydraulic or pneumatic controls and instruments.
- Provides a degree of protection from falling dirt, dust, oil and water.

Standards

- UL 508 Type 12
- CSA Type 12
- **Complies with**
 - NEMA Type 12
 - JIC EGP-1-1967
 - IEC 60529, IP54

Construction

- Formed 10 gauge steel.
- Smooth, continuously welded seams without knockouts, cutouts or holes.
- Heavy duty body stiffeners are provided for extra rigidity.
- Reinforced eyebolts are provided for easy enclosure lifting.
- Double door openings have gasketed overlapping doors, eliminating the need for a center post.
- Continuously hinged doors may be removed by pulling the hinge pin.
- Doors are secured with a three point latch and operated with a vault type padlocking handle.

Construction...cont'd

- Latch rods are equipped with rollers for easier door closing.
- Oil resistant gaskets are permanently secured.
- Removable 10 gauge inner panels are included in the enclosures.
- 3 door units have 2 panels (34" x 78" and 70" x 78").
- 4 door units have 2 panels (70" x 78" each).
- 5 door units have 3 panels (one 34" x 78" and two 70" x 78").
- Slave doors have mechanical interlock and cannot be opened unless the master door is open.
- Panel supports are provided in enclosures for easy panel installation.
- Collar studs are provided for mounting inner panels.
- A grounding stud is provided in the enclosure for each door and a bonding stud is provided on the door.
- A literature pocket is provided for the inside of the door.

Finish

- Cover and enclosure are finished in recoatable smooth ANSI 61 gray powder coating on the outside, with white powder coating on the inside.
- Removable inner panels are finished in white powder coating.

Accessories

- Air conditioners...see page **349-367**
- Blowers...see page **392**
- Breather kits...see page **400-401**
- Door stop kit...see page **453**
- Filter fans...see page **371-384**
- Gland Plates...see page **446**
- Heaters...see page **393-396**
- Light kit...see page **452**
- Louvered ventilating plates
...see page **402**
- Thermostats...see page **397**
- Window kits...see page **449**

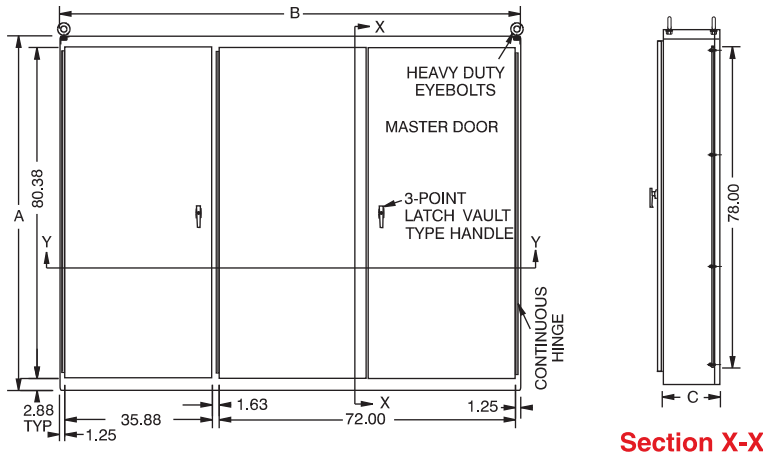
Part No.	A	B	C	Ship Wt. lbs.
1422MD3	86.12	112.00	14.12	1850
1422MD320	86.12	112.00	20.12	1946
1422MD4	86.12	149.12	14.12	2270
1422MD420	86.12	149.12	20.12	2383
1422MD5	86.12	187.00	14.12	2900
1422MD520	86.12	187.00	20.11	3030

Technical references and CAD downloads available at www.hammondmfg.com

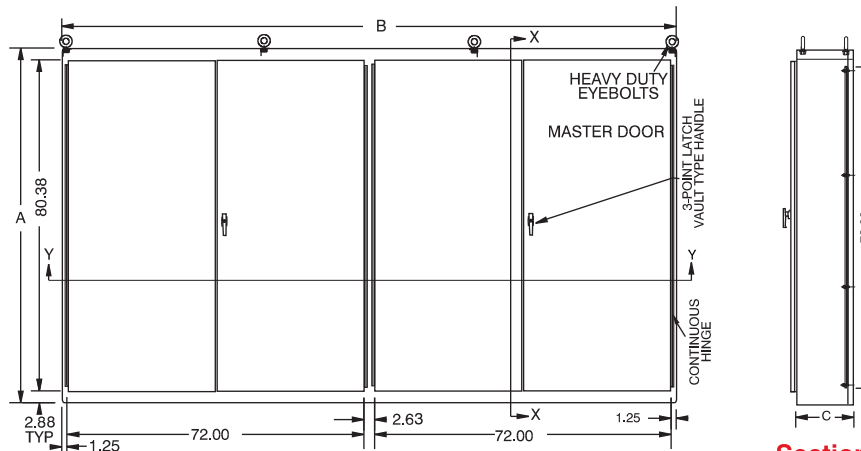
All dimensions in inches unless specified otherwise

1422 MD Series Multiple Door Enclosures - NEMA 12

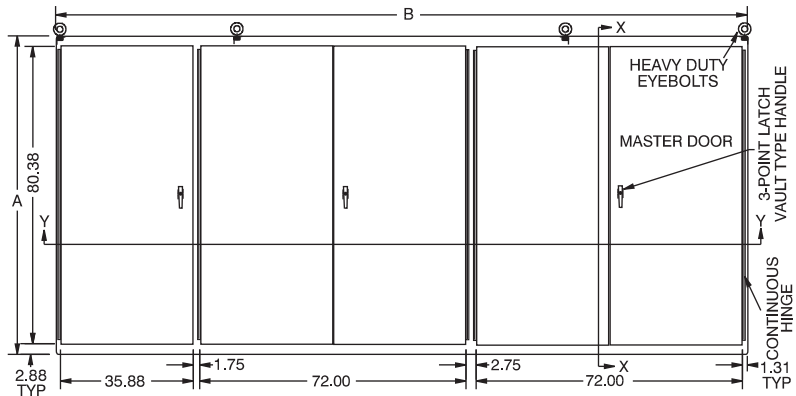
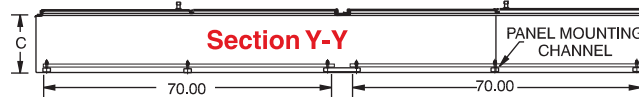
Continuous Hinge, Padlockable Doors



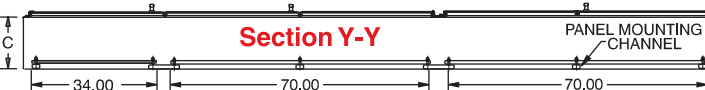
Section X-X



Section X-X



Section X-X



Technical references and CAD downloads available at www.hammondmfg.com

All dimensions in inches unless specified otherwise


Quality Products. Service Excellence.








Corrosion Resistant Enclosures

Corrosion Resistant

	1414 N4 AL Aluminum Series Enclosures Lift-Off Cover NEMA 4 63		1418 Series Stainless Steel Enclosures Single Door, Continuous Hinge, Clamped Cover NEMA 4X 91
	1590Z Diecast Aluminum Enclosures Watertight, Thick Wall NEMA 4X..... 65		HN4 Series Stainless Steel Two Door Continuous Hinge, 3pt Handle NEMA 4X..... 93
	R100 Diecast Aluminum Enclosures NEMA 4X..... 67		1422 Series Stainless Steel Floor Mount Two Door Enclosures Continuous Hinge, Clamped NEMA 4X..... 95
	1418 Series Aluminum Enclosures Single Door, Continuous Hinge, Clamped Cover NEMA 4 69		1422 Series Stainless Steel Floor Mount Two Door Enclosures Continuous Hinge, Quarter Turn NEMA 4X..... 97
	Eclipse Junior Series Stainless Steel Enclosures Single Door NEMA 4X..... 71		HN4 Series Stainless Steel Floor Mount Two Door Enclosures Continuous Hinge, 3-Point Handle NEMA 4X..... 99
	1414 N4PHSS Series Stainless Steel Enclosures Continuous Hinge, Clamped Cover NEMA 4X..... 73		1418 Series Stainless Steel Freestanding Enclosures Single Door, Clamped NEMA 4X..... 101
	1414 N4SS Stainless Steel Enclosures Lift-Off, Clamped Cover NEMA 4X..... 75		1418 Series Stainless Steel Freestanding Enclosures Single Door, Quarter Turn NEMA 4X..... 103
	Eclipse Series Stainless Steel Enclosures Single Door NEMA 4X..... 77		HN4 Series Stainless Steel Freestanding Enclosures Single Door, 3-Point Handle NEMA 4X..... 105
	Eclipse Series, Stainless Steel Enclosures Single Window Door NEMA 4X..... 81		
	Eclipse Series, Painted Stainless Steel Single Door Enclosures with 3-Point Handle NEMA 4X..... 83		
	Eclipse Sloped Top Series Stainless Steel Enclosures NEMA 4X..... 85		
	Eclipse Series Accessories 87-90		1418 Series Accessories 107-108

Corrosion Resistant Enclosures

	1554 Series Polycarbonate Enclosure - NEMA 4X..... 109
	1554F Series Polycarbonate Enclosure - NEMA 4X..... 111
	R130 Series Polyester Modular Enclosures - NEMA 4X..... 113
	1590ZGRP Series Polyester Modular Enclosures NEMA 4X..... 115
	PJ Series Polyester Modular Enclosures - Lift-Off and Hinged Screw Cover NEMA 4X..... 117
	PJ Series Polyester Modular Enclosures - Snap & Twist Latch Hinged Cover NEMA 4X..... 119
	PJ Series Polyester Modular Enclosures - Lift-Off, Hinged, Snap Latch, Twist Latch, Window Cover NEMA 4X..... 121
	PJ Series Polyester Modular Enclosures - Raised Lift-Off, Hinged Cover, Solid & Window Door NEMA 4X..... 123
	PJ Series Polyester Modular Enclosures - Raised Lid Snap Latch, Hinged Cover, Solid & Window Door NEMA 4X..... 125
	PJ Series Polyester Modular Enclosures - Raised Lid Twist Latch, Hinged Cover, Solid & Window Door NEMA 4X..... 127

	PJU Series Polyester Modular Enclosures - Snap Latch, Hinged Cover, Solid and Window Door NEMA 4X..... 129
	PJU Series Polyester Modular Enclosures - Twist Latch, Hinged Cover, Solid and Window Door NEMA 4X..... 131
	PJU Series Polyester Modular Enclosures - Lift-Off, Solid and Window Door NEMA 4X..... 133
	PJU Series Polyester Modular Enclosures - Hinged Screw Cover, Solid and Window Door NEMA 4X..... 135
	PJU Series Polyester Modular Enclosures - Enclosure with Viewing Window NEMA 4X..... 137
	PJ Accessories 138
	PJW Series Polyester Modular Enclosures - Continuous Hinge Wallmount NEMA 4X..... 139
	PJFS Series Polyester Modular Enclosures - Continuous Hinge Freestanding NEMA 4X..... 141
	PHW Series Polyester Modular Enclosures - Heavy Duty Wallmount Enclosures NEMA 4X..... 143

1414 N4 AL Aluminum Series - NEMA 4

Lift-Off Cover



**Inner
Panel
Included**



Corrosion Resistant Junction Boxes

Application

- Designed for use as instrument enclosures, electric, hydraulic or pneumatic control housings, electrical junction boxes or terminal wiring enclosures.
- Provides protection where equipment may be hosed down or otherwise be very wet, or in specific applications where corrosion is a problem.

Standards

- UL 508 Type 4 and 12
- CSA Type 4 and 12
- **Complies with**
 - NEMA Type 4, 12, and 13
 - IEC 60529, IP66

Construction

- Formed from 0.08" Type 5052 H-32 aluminum.
- Sizes smaller than 6" x 6" are formed from 0.06" aluminum.
- Smooth, continuously welded seams without knockouts, cutouts or holes.
- Welded brackets provide for enclosure mounting.
- Cover is secured with easily operated aluminum clamps.
- Seamless poured-in place gasket.
- All models larger than 4" x 4" include a removable 14 gauge inner panel.
- Tapped studs are provided for mounting inner panels.
- A bonding stud is provided on the door and a grounding stud is provided in the enclosure.

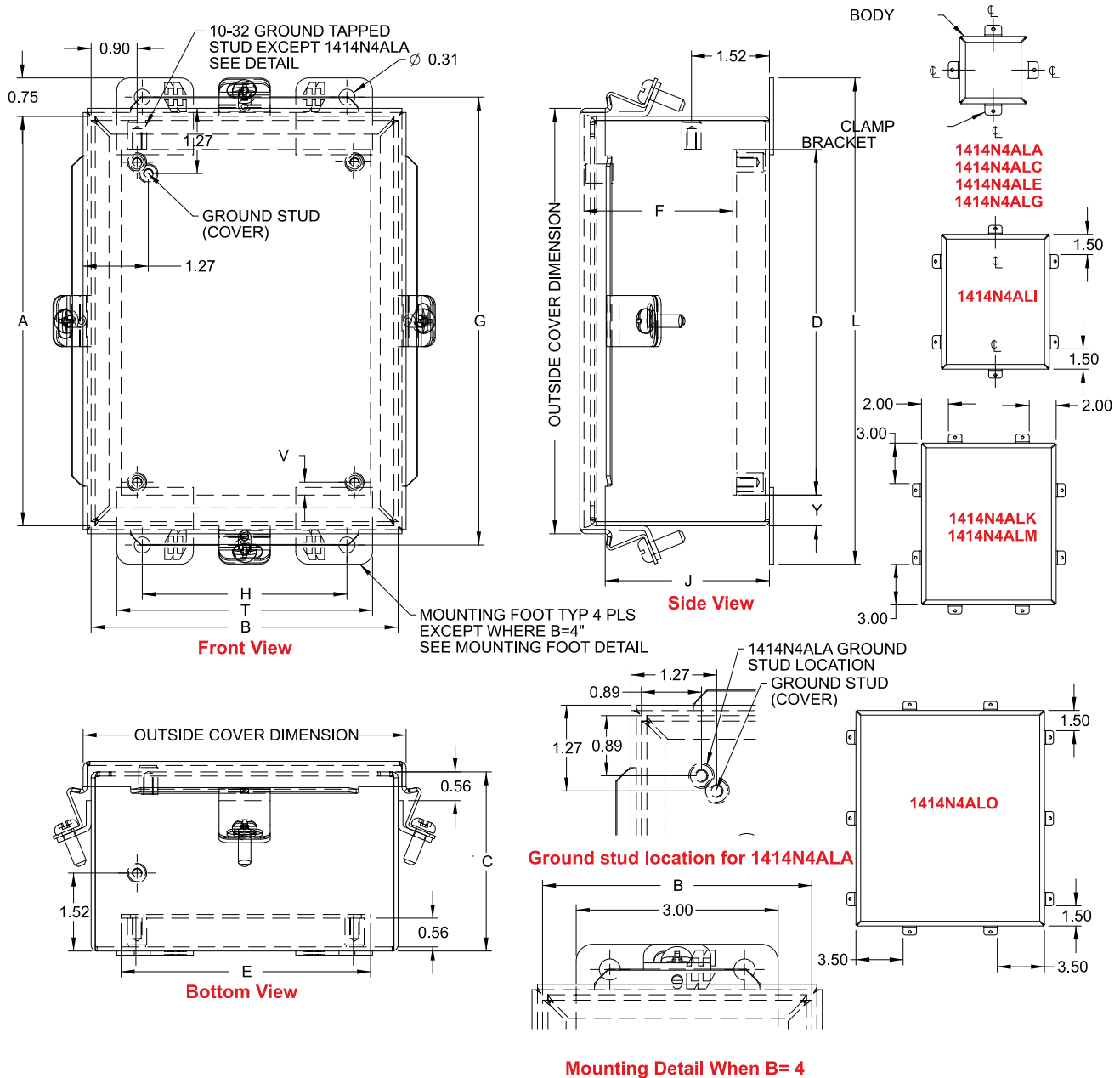
Finish

- Cover and enclosure are natural unfinished aluminum.
- Removable inner panel is finished in white powder coating.

Accessories

- Additional inner panels
...see page **436**
- Breather kits...see page **400-401**
- Door clamping hardware
...see page **429**
- Heaters...see page **393-396**
- Terminal kit assemblies
...see page **441**
- Thermostats...see page **397**
- Window kits...see page **449**

1414 N4 AL Aluminum Series - NEMA 4 Lift-Off Cover



Corrosion Resistant Junction Boxes

Part No.	Panel Dimensions					Centers					Cover Dimensions					Ship Wt. lbs.
	A	B	C	D	E	F	G	H	J	L	T	V	Y			
1414N4ALA	4	4	3.0	—	—	—	4.75	2	2.6	5.5	4.31	4.31	3	—	—	1
1414N4ALC	6	4	3.0	4.88	2.88	2.5	6.75	2	2.6	7.5	6.31	4.31	3	.31	.56	2
1414N4ALE	6	6	4.0	4.88	4.88	3.5	6.75	4	3.6	7.5	6.31	6.31	5	.31	.56	3
1414N4ALG	8	6	3.5	6.75	4.88	3.0	8.75	4	3.1	9.5	8.31	6.31	5	.25	.63	3
1414N4ALI	10	8	4.0	8.75	6.88	3.5	10.75	6	3.6	11.5	10.31	8.31	7	.25	.63	5
1414N4ALK	12	10	5.0	10.75	8.88	4.5	12.75	8	4.6	13.5	12.31	10.31	9	.25	.63	8
1414N4ALM6	14	12	6.0	12.75	10.88	5.5	14.75	10	5.6	15.5	14.31	12.31	11	.25	.63	10
1414N4ALO6	16	14	6.0	14.75	12.88	5.5	16.75	12	5.6	17.5	16.31	14.31	13	.25	.63	13
1414N4ALM8	14	12	8.0	12.75	10.88	7.5	14.75	10	7.6	15.5	14.31	12.31	11	.25	.63	11
1414N4ALO10	16	14	10.0	14.75	12.88	9.5	16.75	12	9.6	17.5	16.31	14.31	13	.25	.63	15

Technical references and CAD downloads available at www.hammondmfg.com

All dimensions in inches unless specified otherwise

Quality Products. Service Excellence.

1590Z Diecast Aluminum Enclosures - NEMA 4X

Watertight, Thick Wall



Corrosion Resistant Junction Boxes

Application

- Designed for use as electronic instrument enclosures, electrical junction boxes or terminal wiring enclosures.

Standards

- UL, cUL 508 Type 4, 4X
- **Complies with**
 - NEMA 4, 4X
 - IEC60529 IP66

Construction

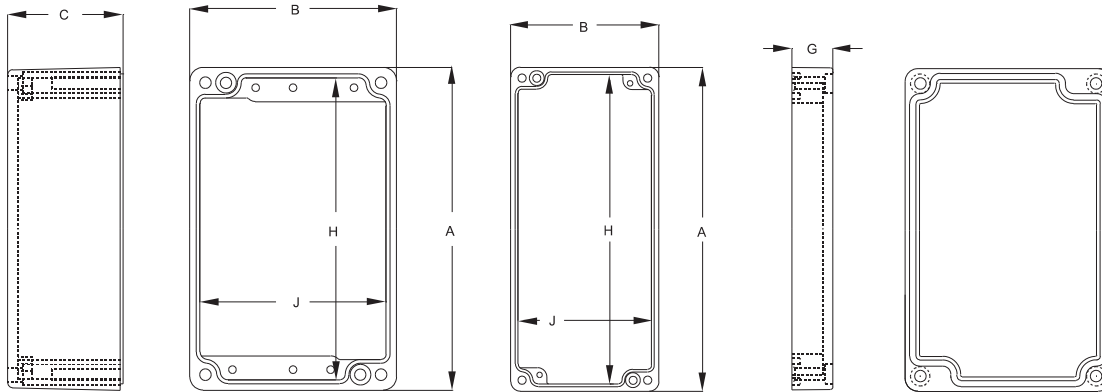
- Rugged diecast aluminum alloy BS1490, LM6.
- Two piece "tongue & groove" construction with a silicone rubber provides protection against dust accumulation and water.
- Ideal for repetitive opening and closing.
- Four recessed stainless steel machine screws secure lid into tapped holes. Screws are self capturing using either individual neoprene "O" rings (outside the lid gasket seal) or using screw capturing lid.
- Copper ground screws and washers included.
- Easy wall mounting with "through box, blind hole" construction.
- Models 1590Z100, 1590Z120, 1590Z164, 1590Z166, 1590Z140, 1590Z235, 1590Z150 and 1590Z160 include mounting shelves and 6 drilled and tapped holes for mounting or grounding.
- Models 1590Z110, 1590Z130 and 1590Z135 include 2 drilled and tapped holes for mounting or grounding.
- Models 1590Z135 and 1590Z160 also include a drilled and tapped grounding hole in the lid.

Finish

- Painted versions are finished in RAL 7001 gray or black powder coating inside and out.
- Unpainted versions are a natural unfinished aluminum.

1590Z Diecast Aluminum Enclosures - NEMA 4X

Watertight, Thick Wall



Side View

**Body
Inside View
with mounting shelf**

**Body
Inside View
without mounting shelf**

**Lid
Side
View**

**Lid
Inside View**

Unpainted Part No.	Black Part No.	Gray Part No.	Units	A	B	C	G	H	J	Lid Grounding Screw	Shelf
1590Z060	1590Z060BK	1590Z060GY	inch mm	1.98 50	1.77 45	0.95 24	0.24 6	1.77 45	1.57 40	Yes	No
1590Z061	1590Z061BK	1590Z061GY	inch mm	2.51 64	2.29 58	1.03 26	0.39 10	2.21 56	1.97 50	No	No
1590Z062	1590Z062BK	1590Z062GY	inch mm	3.86 98	2.52 64	1.03 26	0.39 10	3.5 90	2.2 56	No	No
1590Z063	1590Z063BK	1590Z063GY	inch mm	5.89 150	2.51 64	1.02 26	0.39 10	5.56 141	2.18 55	No	No
1590Z100	1590Z100BK	1590Z100GY	inch mm	2.94 75	3.14 80	1.57 40	0.47 12	2.64 67	2.84 72	No	Yes
1590Z110	1590Z110BK	1590Z110GY	inch mm	2.94 75	3.14 80	1.57 40	0.47 12	2.64 67	2.84 72	No	No
1590Z119	1590Z119BK	1590Z119GY	inch mm	4.8 122	4.72 120	2.36 60	0.81 20	4.45 113	4.36 111	Yes	Yes
1590Z120	1590Z120BK	1590Z120GY	inch mm	4.92 125	3.15 82	1.72 43	0.62 15	4.61 117	2.84 72	No	Yes
1590Z130	1590Z130BK	1590Z130GY	inch mm	6.89 175	3.15 80	1.61 40	0.47 12	6.56 167	2.84 72	No	No
1590Z135	1590Z135BK	1590Z135GY	inch mm	6.89 175	3.15 80	1.61 40	0.79 20	6.56 167	2.84 72	Yes	No
1590Z140	1590Z140BK	1590Z140GY	inch mm	9.85 250	3.13 80	1.57 40	0.59 15	9.48 240	2.66 67	No	Yes
1590Z160	1590Z160BK	1590Z160GY	inch mm	6.3 160	6.3 160	2.76 70	0.79 20	5.98 152	5.98 152	Yes	Yes
1590Z150	1590Z150BK	1590Z150GY	inch mm	8.7 220	4.76 120	2.39 60	0.79 20	8.31 211	4.37 111	No	Yes
1590Z162	1590Z162BK	1590Z162GY	inch mm	10.24 260	6.25 159	2.75 70	0.79 20	9.83 249	5.94 151	Yes	Yes
1590Z164	1590Z164BK	1590Z164GY	inch mm	14.23 361	4.72 120	2.38 60	0.78 20	13.75 350	4.07 103	Yes	Yes
1590Z166	1590Z166BK	1590Z166GY	inch mm	14.17 360	6.30 160	2.76 70	0.78 20	13.75 350	5.77 146	No	Yes
1590Z231	1590Z231BK	1590Z231GY	inch mm	7.88 200	8.71 221	3.63 92	0.8 20	7.62 194	8.45 215	Yes	Yes
1590Z235	1590Z235	1590Z235GY	inch mm	13.07 332	9.13 232	3.54 90	0.78 20	12.65 321	8.50 215	No	Yes

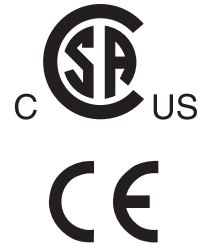
Inches are for reference only. Use metric for precise measurements.

Technical references and CAD downloads available at www.hammondmfg.com

All dimensions in inches unless specified otherwise

Corrosion Resistant Junction Boxes

R100 Diecast Aluminum Enclosures - NEMA 4X



Corrosion Resistant Junction Boxes

Standards

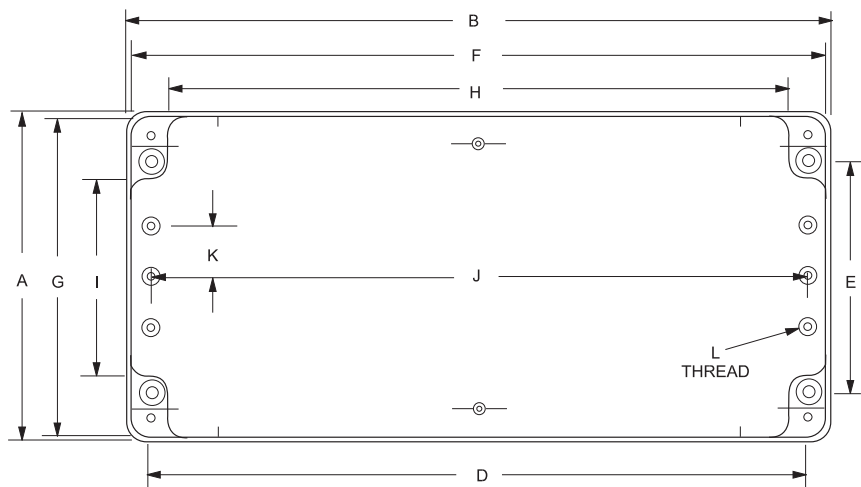
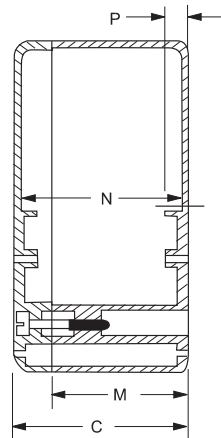
- CSA-US Type 4
- **Complies with**
 - NEMA 4
 - IEC 60529, IP66

Construction

- Aluminum diecast G Al Si 12 / DIN 1725, Leg 230
- Captive stainless steel lid screws are standard.
- Neoprene oil and petrol resistant gasket standard.
- Temperature range -30°C to +100°C (-22°F to +212°F).
- Single-channel Fastening System. Trouble-free turning 90° to 90° with square enclosures by synchronous arrangement of channels.

Finish

- Textured polyester powder coat, beige RAL 7032.



R100 Diecast Aluminum Enclosures - NEMA 4X

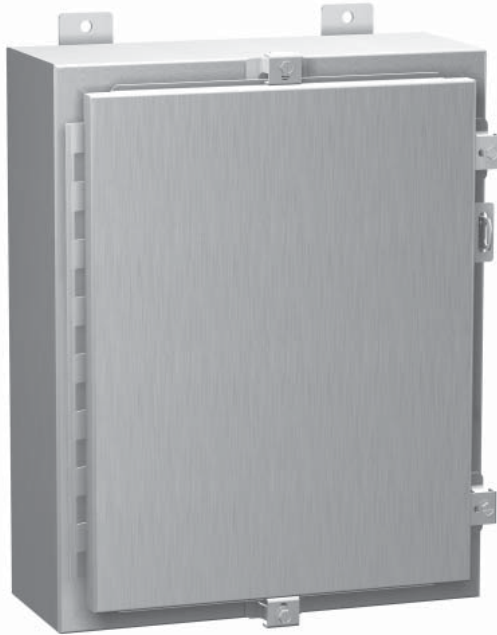
Part No.	Series	Units	Width		Length		Height		A	B	C	D	E	F	G	H	I	J	K	L	M	N	P
			A	B	C	D	E	F															
R100-060-000	AS-060	inch	2.56	1.97	1.57	1.50	2.09	1.67	2.26	1.28	1.48	1.34	0.96	M4	1.10	1.38	0.35						
		mm	65	50	40	38	53	43	58	33	38	34	25		28	35	9						
R100-062-000	AS-062	inch	2.56	2.56	1.57	2.09	2.09	2.26	2.26	1.48	1.48	1.93	0.55	M4	1.10	1.34	0.35						
		mm	65	65	40	53	53	58	58	38	38	49	14		28	34	9						
R100-064-000	AS-064	inch	2.56	3.94	1.57	3.46	2.09	3.64	2.26	2.85	1.48	3.31	0.55	M4	1.10	1.34	0.35						
		mm	65	100	40	88	53	93	58	73	38	84	14		28	34	9						
R100-066-000	AS-066	inch	2.56	5.91	1.57	5.43	2.09	5.61	2.26	4.82	1.48	5.28	0.55	M4	1.10	1.34	0.35						
		mm	65	150	40	138	53	143	58	123	38	134	14		28	34	9						
R100-080-000	AS-080	inch	3.15	3.15	2.36	2.64	2.64	2.78	2.78	1.93	1.93	2.28	0.77	M4	1.57	2.13	0.39						
		mm	80	80	60	67	67	71	71	49	49	58	20		40	54	10						
R100-082-000	AS-082	inch	3.15	4.72	2.36	4.21	2.64	4.35	2.78	3.54	1.93	3.86	0.77	M4	1.57	2.13	0.39						
		mm	80	120	60	107	67	111	71	90	49	98	20		40	54	10						
R100-084-000	AS-084	inch	3.15	6.30	2.36	5.79	2.64	5.93	2.78	5.43	1.93	5.43	0.77	M4	1.57	2.13	0.39						
		mm	80	160	60	147	67	151	71	138	49	138	20		40	54	10						
R100-100-000	AS-100	inch	3.94	3.94	3.15	3.43	3.43	3.54	3.54	2.74	2.74	3.07	1.16	M4	2.09	2.91	0.39						
		mm	100	100	80	87	87	90	90	70	70	78	30		53	74	10						
R100-102-000	AS-102	inch	3.94	5.91	3.15	5.39	3.43	5.51	3.54	4.70	2.74	5.04	1.16	M4	2.09	2.91	0.39						
		mm	100	150	80	137	87	140	90	120	70	128	30		53	74	10						
R100-104-000	AS-104	inch	3.94	7.87	3.15	7.36	3.43	7.48	3.54	6.67	2.74	7.01	1.16	M4	2.09	2.91	0.39						
		mm	100	200	80	187	87	190	90	170	70	178	30		53	74	10						
R100-120-000	AS-120	inch	4.72	4.72	3.94	4.02	4.02	4.29	4.29	3.15	3.15	3.62	1.26	M6	2.64	3.62	0.51						
		mm	120	120	100	102	102	109	109	80	80	92	32		67	92	13						
R100-122-000	AS-122	inch	4.72	7.09	3.94	6.38	4.02	6.65	4.29	5.51	3.15	5.98	1.26	M6	2.64	3.62	0.51						
		mm	120	180	100	162	102	169	109	140	80	152	32		67	92	13						
R100-124-000	AS-124	inch	4.72	9.45	3.94	8.74	4.02	9.02	4.29	7.87	3.15	8.35	1.26	M6	2.64	3.62	0.51						
		mm	120	240	100	222	102	229	109	200	80	212	32		67	92	13						
R100-160-000	AS-160	inch	6.30	6.30	3.94	5.59	5.59	5.87	5.87	4.74	4.76	5.20	2.05	M6	2.64	3.62	0.51						
		mm	160	160	100	142	142	149	149	121	121	132	52		67	92	13						
R100-162-000	AS-162	inch	6.30	9.45	3.94	8.74	5.59	9.02	5.87	7.87	4.72	8.39	2.05	M6	2.64	3.62	0.51						
		mm	160	240	100	222	142	229	149	200	120	213	52		67	92	13						
R100-164-000	AS-164	inch	6.30	12.60	3.94	11.89	5.59	12.17	5.87	11.02	4.72	11.50	2.05	M6	2.64	3.62	0.51						
		mm	160	320	100	302	142	309	149	280	120	292	52		67	92	13						
R100-166-000	AS-166	inch	6.30	18.90	3.94	18.19	5.59	18.43	5.83	17.28	4.69	17.80	2.05	M6	2.64	3.58	0.51						
		mm	160	480	100	462	142	468	148	439	119	452	52		67	91	13						
R100-200-000	AS-200	inch	7.87	7.87	4.72	7.09	7.09	7.40	7.40	6.08	6.10	6.61	2.64	M6	3.15	4.41	0.51						
		mm	200	200	120	180	180	188	188	155	155	168	67		80	112	13						
R100-202-000	AS-202	inch	7.87	11.81	4.72	11.02	7.09	11.34	7.40	10.02	6.10	10.55	2.64	M6	3.15	4.41	0.51						
		mm	200	300	120	280	180	288	188	255	155	268	67		80	112	13						
R100-204-000	AS-204	inch	7.87	15.75	4.72	14.96	7.09	15.28	7.40	13.96	6.10	14.49	2.64	M6	3.15	4.37	0.51						
		mm	200	400	120	380	180	388	188	355	155	368	67		80	111	13						
R100-240-000	AS-240	inch	9.45	9.45	4.72	8.66	8.66	8.98	8.98	7.66	7.68	8.19	3.43	M6	3.15	4.41	0.51						
		mm	240	240	120	220	220	228	228	195	195	208	87		80	112	13						
R100-242-000	AS-242	inch	9.45	14.17	4.72	13.39	8.66	13.70	8.98	12.38	7.68	12.91	3.43	M6	3.15	4.37	0.51						
		mm	240	360	120	340	220	348	228	315	195	328	87		80	111	13						
R100-244-000	AS-244	inch	9.45	18.90	4.72	18.11	8.66	18.43	8.98	17.11	7.68	17.64	3.43	M6	3.15	4.37	0.51						
		mm	240	480	120	460	220	468	228	435	195	448	87		80	111	13						
R100-320-000	AS-320	inch	12.60	12.60	4.72	11.81	11.81	12.13	12.13	10.81	10.83	11.34	5.00	M6	3.15	4.37	0.51						
		mm	320	320	120	300	300	308	308	275	275	288	127		80	111	13						
R100-322-000	AS-322	inch	12.60	18.90	4.72	18.11	11.81	18.43	12.13	17.11	10.83	17.64	5.00	M6	3.15	4.37	0.51						
		mm	320	480	120	460	300	468	308	435	275	448	127		80	111	13						
R100-324-000	AS-324	inch	12.60	25.20	4.72	24.41	11.81	24.72	12.13	23.41	10.83	23.94	5.00	M6	3.15	4.37	0.51						
		mm	320	640	120	620	300	628	308	595	275	608	127		80	111	13						

Inches are for reference only. Use metric for precise measurements.

Corrosion Resistant Junction Boxes

1418 Series Single Door Aluminum Enclosures - NEMA 4

Continuous Hinge, Clamped Cover



**Inner
Panel
Included**



Corrosion Resistant

Wallmount Enclosures

Application

- Designed for use as instrument enclosures, electric, hydraulic or pneumatic control housings, electrical junction boxes or terminal wiring enclosures.
- Provides protection where equipment may be hosed down or otherwise be very wet, or in specific applications where corrosion may be a problem.

Standards

- UL 508 Type 4 and 12 as marked¹
- CSA Type 4 and 12
- **Complies with**
 - NEMA Type 4, 12 and 13
 - JIC EGP-1-1967
 - IEC 60529, IP66

Construction

- Formed from 0.10" Type 5052 H-32 aluminum.
- Smooth, continuously welded seams without knockouts, cutouts or holes.
- Door and body stiffeners are provided in the larger enclosures for extra rigidity.
- Welded brackets provide for enclosure mounting.
- Formed lip on door and enclosure excludes flowing liquids and contaminants.
- Aluminum continuous hinge on door may be removed by pulling the aluminum hinge pin.
- Door is secured with easily operated aluminum clamps.
- Provision for padlocking.
- Seamless poured-in place gasket.
- A removable 12 gauge inner panel is included.
- Collar studs are provided for mounting inner panels.
- A bonding stud is provided on the door and a grounding stud is provided in the enclosure.
- A literature pocket is provided for the inside of the door.

Finish

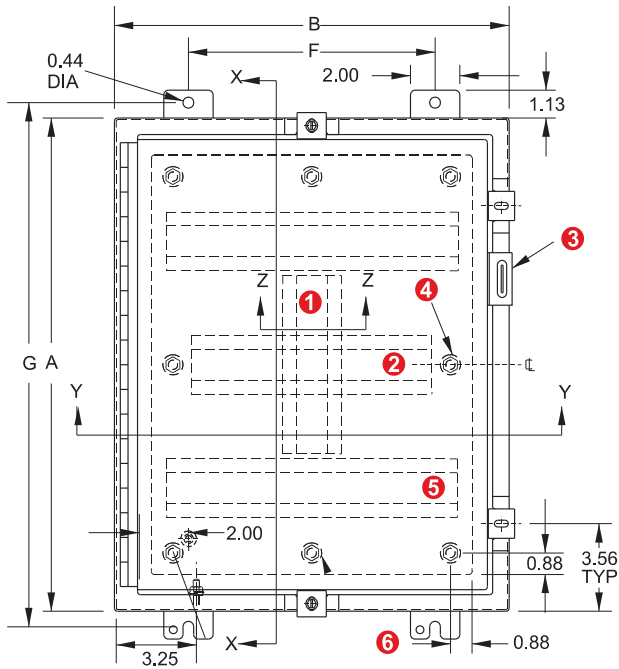
- Cover and enclosure are natural unfinished aluminum.
- Removable inner panel is finished in white powder coating.

Accessories

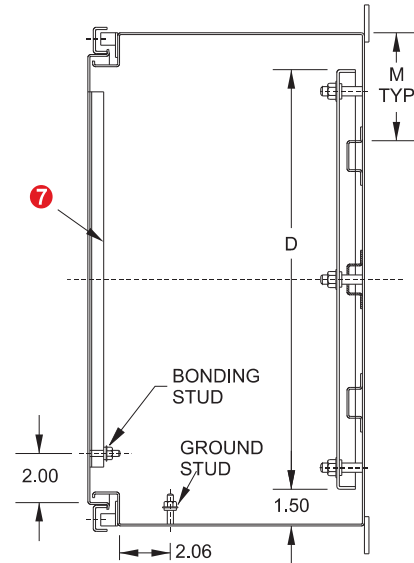
- Additional inner panels...see page **436**
- Breather kits...see page **400-401**
- Door stop kits...see page **453**
- Heaters...see page **393-396**
- Lock kit...see page **431**
- Terminal kit assemblies
...see page **441**
- Thermostats...see page **397**
- Window kits...see page **449**

1418 Series Single Door Aluminum Enclosures - NEMA 4

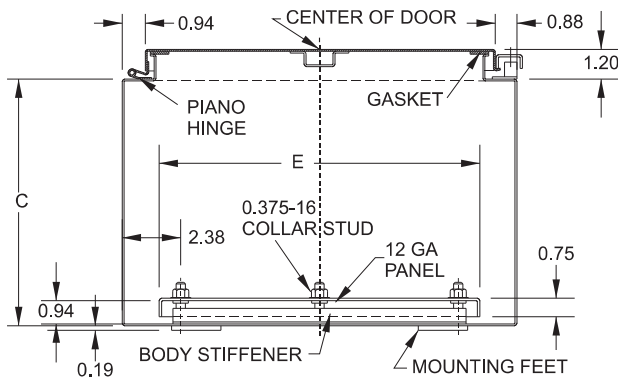
Continuous Hinge, Clamped Cover



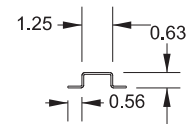
Front View



Side View



Section Y-Y



Section Z-Z

- ① Vertical stiffener required on KK and M only.
- ② Omit center body stiffener if A is less than 41".
- ③ Padlocking hasp and staple.
- ④ Omit 2 middle studs if A is less than 31".
- ⑤ Omit body stiffeners if A or B is less than 29".
- ⑥ Omit 2 middle studs if B is less than 31".
- ⑦ Omit door stiffener if A or B is less than 31".

Part No.	A	B	C	Panel Size D	Panel Size E	Mtg. Centers F	Mtg. Centers G	Ship Wt. lbs.
1418N4ALB6 ^{1,2}	16	12	6	13	9	9.5	17.25	14
1418N4ALC6 ^{1,2}	20	16	6	17	13	10.0	21.25	16
1418N4ALE6 ¹	24	20	6	21	17	14.0	25.25	21
1418N4ALJ8 ¹	24	24	8	21	21	18.0	25.25	26
1418N4ALK8 ¹	30	24	8	27	21	18.0	31.25	39
1418N4ALM8	36	30	8	33	27	24.0	37.25	42
1418N4ALS8	48	36	8	45	33	28.0	49.25	56
1418N4ALC10 ^{1,2}	20	16	10	17	13	10.0	21.25	19
1418N4ALE10 ¹	24	20	10	21	17	14.0	25.25	24
1418N4ALK12 ¹	30	24	12	27	21	18.0	31.25	36
1418N4ALM12	36	30	12	33	27	24.0	37.25	47
1418N4ALT12	60	36	12	57	33	30.0	61.25	83

When A=	M=
30	7.00
36	9.00
42	9.88
48	11.38
60	14.38

¹ Meets UL standards

² Flat panel

Technical references and CAD downloads available at www.hammondmfg.com

All dimensions in inches unless specified otherwise

Quality Products. Service Excellence.

Eclipse Junior Series Stainless Steel Enclosures - NEMA 4X

Single Door Enclosures

Corrosion Resistant Junction Boxes



Application

- Designed for use as instrument enclosures, electric, hydraulic or pneumatic control housings, electrical junction boxes or terminal wiring enclosures.
- Provides protection where equipment may be hosed down or otherwise be very wet, or in specific applications where corrosion may be a problem.
- For high temperature applications, a gasket retainer may be required, please refer to factory.

Standards

- UL 508 Type 3R, 4, 4X, 12, and 13
- CSA Type 3R, 4, 4X, 12, and 13
- **Complies with**
 - NEMA Type 3R, 4, 4X, 12 and 13
 - JIC EGP-1-1967
 - IEC 60529, IP66

Construction

- Body and cover are formed from 16 gauge 304 or 316 stainless steel
- Smooth, continuously welded seams without knockouts, cutouts, or holes.
- Formed lip on enclosure to exclude flowing liquids and contaminants.
- 14 gauge welded brackets provide for enclosure mounting.
- Continuously hinged cover has stainless steel hinges and provides 180° opening
- Door latches feature the added safety of quarter turn slot requiring use of tool for opening.
- Quarter turn latches formed from 316 stainless steel
- Seamless poured-in place gasket.
- Models larger than 4"x4" include a removable 14 gauge galvanized inner panel.
- Tapped studs are provided for mounting inner panels.
- A bonding stud is provided on the door and a grounding stud is provided on the enclosure.
- Grounding and panel mounting hardware provided.

Finish

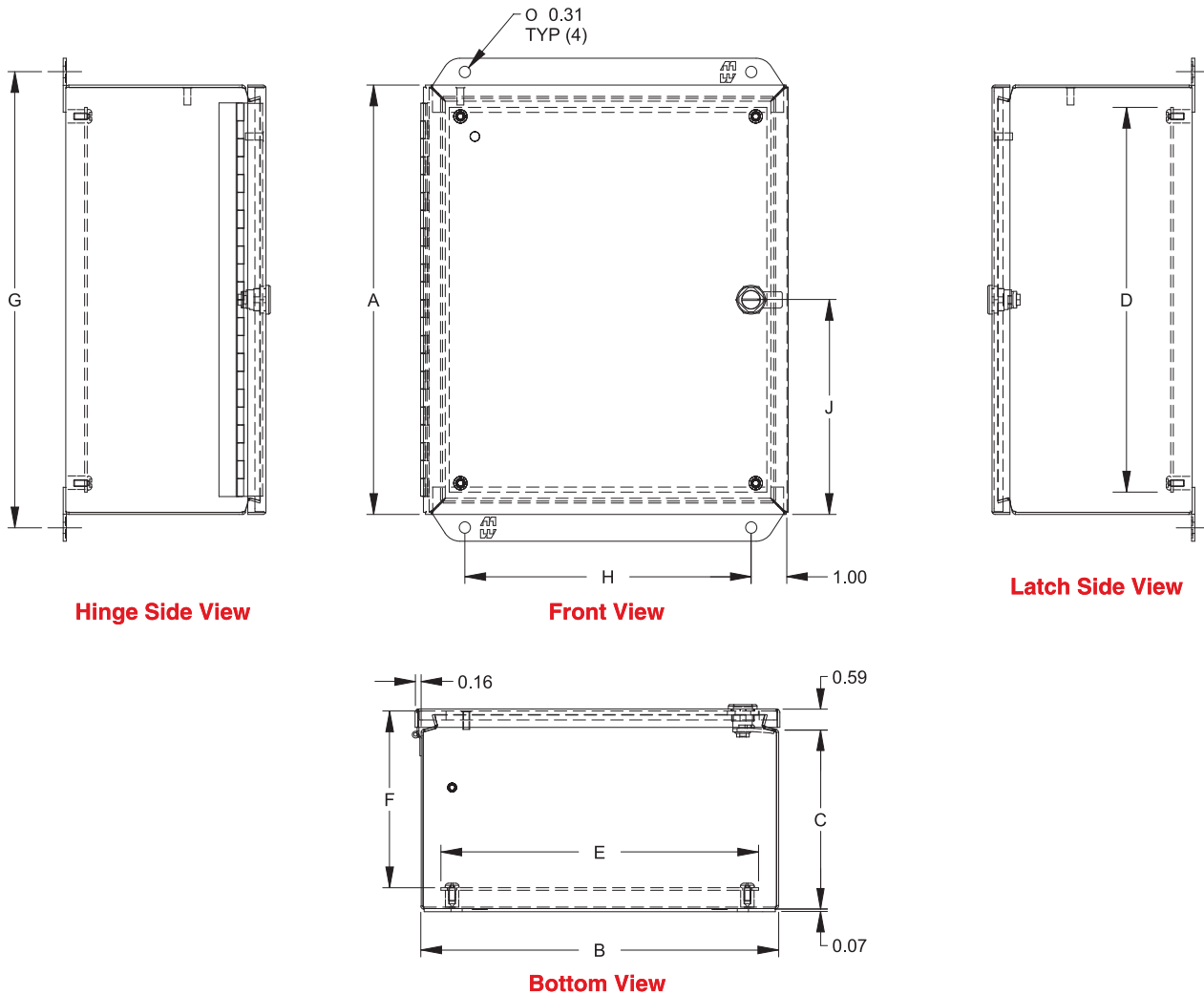
- Cover and enclosure are natural stainless steel with a smooth brushed finish.
- Removable inner panel is unpainted galvanized steel.

Accessories

- Additional inner panels...see page **436**
- Breather kits...see page **400-401**
- Filter fans...see page **371-384**
- Heaters...see page **393-396**
- Louvered ventilating plates
...see page **402**
- Terminal kit assemblies
...see page **441**
- Thermostats...see page **397**
- Window kits...see page **449**
- Padlock Adaptor (EJPA)
...see page **435**

Eclipse Junior Series Stainless Steel Enclosures - NEMA 4X

Single Door Enclosures



Corrosion Resistant Junction Boxes

304 S.S. Part Number	316 S.S. Part Number	Overall Dimensions			Panel Size		F	G	H	J	Ship Wt. lbs.
		A	B	C	D	E					
EJ644SS	EJ644S16	6.00	4.00	4.00	4.88	2.88	3.92	6.75	2.00	3.00	3
EJ664SS	EJ664S16	6.00	6.00	4.00	4.88	4.88	3.92	6.75	4.00	3.00	4
EJ863SS	EJ863S16	8.00	6.00	3.5	6.75	4.88	3.42	8.75	4.00	4.00	5
EJ1084SS	EJ1084S16	10.00	8.00	4.00	8.75	6.88	3.92	10.75	6.00	5.00	8
EJ12105SS	EJ12105S16	12.00	10.00	5.00	10.75	8.88	4.92	12.75	8.00	6.00	12
EJ12126SS	EJ12126S16	12.00	12.00	6.00	10.75	10.88	5.92	12.75	10.00	6.00	15
EJ14126SS	EJ14126S16	14.00	12.00	6.00	12.75	10.88	5.92	14.75	10.00	7.00	17
EJ14128SS	EJ14128S16	14.00	12.00	8.00	12.75	10.88	7.92	14.75	10.00	7.00	18
EJ16146SS	EJ16146S16	16.00	14.00	6.00	14.75	12.88	5.92	16.75	12.00	8.00	21
EJ161410SS	EJ161410S16	16.00	14.00	10.00	14.75	12.88	9.92	16.75	12.00	8.00	23

Technical references and CAD downloads available at www.hammondmfg.com

All dimensions in inches unless specified otherwise

Quality Products. Service Excellence.

1414 N4 PHSS Series Stainless Steel Enclosures - NEMA 4X

Continuous Hinge, Clamped Cover



Corrosion Resistant Junction Boxes

Application

- Designed for use as instrument enclosures, electric, hydraulic or pneumatic control housings, electrical junction boxes or terminal wiring enclosures.
- Provides protection where equipment may be hosed down or otherwise be very wet, or in specific applications where corrosion may be a problem.

Standards

- UL 508 Type 3R, 4, 4X, 12 and 13
- CSA Type 3R, 4, 4X, 12 and 13
- **Complies with**
 - NEMA Type 3R, 4, 4X, 12 and 13
 - JIC EGP-1-1967
 - IEC 60529, IP66

Construction

- Formed from 14 gauge 304 or 316 stainless steel.
- Smooth, continuously welded seams.
- Welded brackets provide for enclosure mounting.
- Continuous stainless steel hinged cover is secured with stainless steel clamps and screws.
- Seamless poured-in place gasket.
- All models include a removable 14 gauge inner panel.
- Tapped studs are provided for mounting inner panels.
- A bonding stud is provided on the door and a grounding stud is provided in the enclosure.

Finish

- Cover and enclosure are natural stainless steel with a smooth brushed finish.
- Removable inner panel is finished in white powder coating.

Accessories

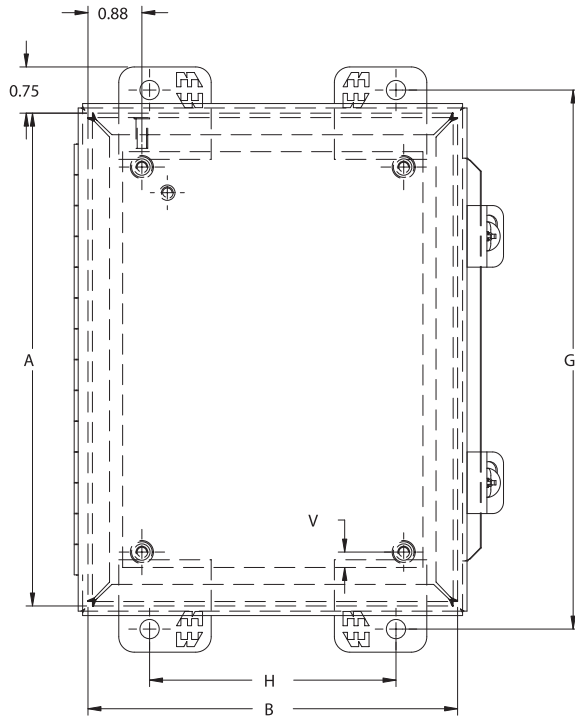
- Additional inner panels...see page **436**
- Breather kits...see page **400-401**
- Door clamping hardware
...see page **429**
- Filter fans...see page **371-384**
- Heaters...see page **393-396**
- Louvered ventilating plates
...see page **402**
- Terminal kit assemblies
...see page **441**
- Thermostats...see page **397**
- Window kits...see page **449**

1414 N4 PHSS Series Stainless Steel Enclosures - NEMA 4X

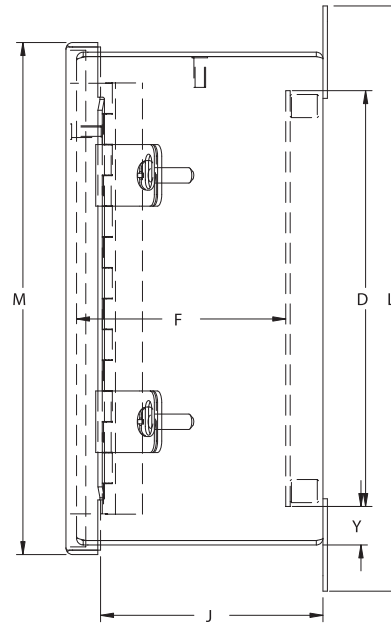
Continuous Hinge, Clamped Cover



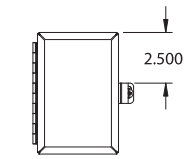
Corrosion Resistant Junction Boxes



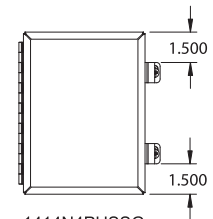
Front View



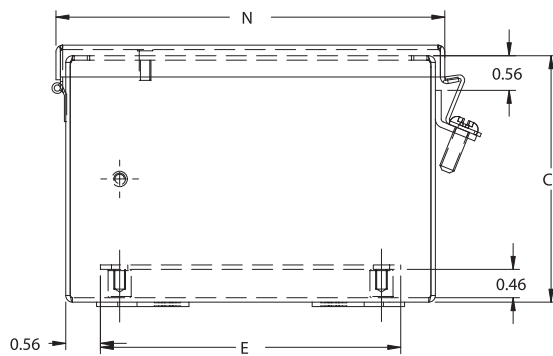
Side View



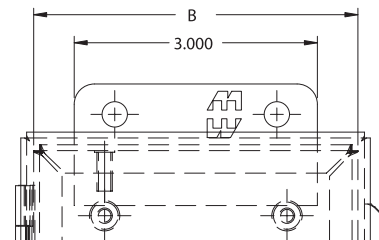
1414N4PHSSC4
1414N4PHSSE



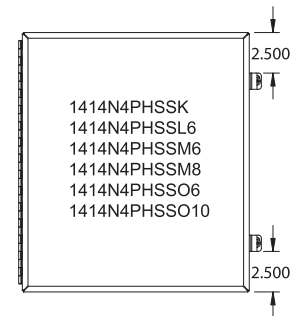
1414N4PHSSG
1414N4PHSSG4
1414N4PHSSI



Bottom View



Mounting Detail When B= 4



1414N4PHSSK
1414N4PHSSL6
1414N4PHSSM6
1414N4PHSSM8
1414N4PHSSO6
1414N4PHSSO10

304 S.S. Part Number	316 S.S. Part Number	Dimensions			Panel Size			Mounting Centers				Cover Dimensions				Ship Wt. Lbs.
		A	B	C	D	E	F	G	H	J	L	M	N	V	Y	
1414N4PHSSC4	1414N4PHS16C4	6.0	4.0	4.0	4.88	2.88	3.5	6.75	2.0	3.6	7.5	6.31	4.31	0.31	0.56	5
1414N4PHSSE	1414N4PHS16E	6.0	6.0	4.0	4.88	4.88	3.5	6.75	4.0	3.6	7.5	6.31	6.31	0.31	0.56	6
1414N4PHSSG	1414N4PHS16G	8.0	6.0	3.5	6.75	4.88	3.0	8.75	4.0	3.1	9.5	8.31	6.31	0.25	0.63	6
1414N4PHSSG4	-	8.0	6.0	4.0	6.75	4.88	3.5	8.75	4.0	3.6	9.5	8.31	6.31	0.25	0.63	8
1414N4PHSSI	1414N4PHS16I	10.0	8.0	4.0	8.75	6.88	3.5	10.75	6.0	3.6	11.5	10.31	8.31	0.25	0.63	10
1414N4PHSSK	1414N4PHS16K	12.0	10.0	5.0	10.75	8.88	4.5	12.75	8.0	4.6	13.5	12.31	10.31	0.25	0.63	15
1414N4PHSSK6	1414N4PHS16K6	12.0	10.0	6.0	10.75	8.88	4.5	12.75	8.0	4.6	13.5	12.31	10.31	0.25	0.63	16
1414N4PHSSL6	1414N4PHS16L6	12.0	12.0	6.0	10.75	10.88	5.5	12.75	10.0	5.6	13.5	12.31	12.31	0.25	0.63	20
1414N4PHSSM6	1414N4PHS16M6	14.0	12.0	6.0	12.75	10.88	5.5	14.75	10.0	5.6	15.5	14.31	12.31	0.25	0.63	21
1414N4PHSSO6	1414N4PHS16O6	16.0	14.0	6.0	14.75	12.88	5.5	16.75	12.0	5.6	17.5	16.31	14.31	0.25	0.63	26
1414N4PHSSM8	-	14.0	12.0	8.0	12.75	10.88	7.5	14.75	10.0	7.6	15.5	14.31	12.31	0.25	0.63	22
1414N4PHSSO10	-	16.0	14.0	10.0	14.75	12.88	9.5	16.75	12.0	9.6	17.5	16.31	14.31	0.25	0.63	28

1414 N4 SS Stainless Steel Enclosures - NEMA 4X

Lift-Off, Clamped Cover



**Inner
Panel
Included**



Corrosion Resistant Junction Boxes

Application

- Designed for use as instrument enclosures, electric, hydraulic or pneumatic control housings, electrical junction boxes or terminal wiring enclosures.
- Provides protection where equipment may be hosed down or otherwise be very wet, or in specific applications where corrosion may be a problem.

Standards

- UL 508 Type 3R, 4, 4X, 12 and 13.
- CSA Type 3R, 4, 4X, 12 and 13.
- **Complies with**
 - NEMA Type 3R, 4, 4X, 12 and 13.
 - JIC EGP-1-1967
 - IEC 60529, IP66

Construction

- Formed from 14 gauge 304 stainless steel.
- Smooth, continuously welded seams.
- Welded brackets provide for enclosure mounting.
- Lift-Off cover is secured with stainless steel clamps and screws.
- Seamless poured-in place gasket.
- All models larger than 4" x 4" include a removable 14 gauge inner panel.
- Tapped studs are provided for mounting inner panels.
- A bonding stud is provided on the door and a grounding stud is provided in the enclosure.

Finish

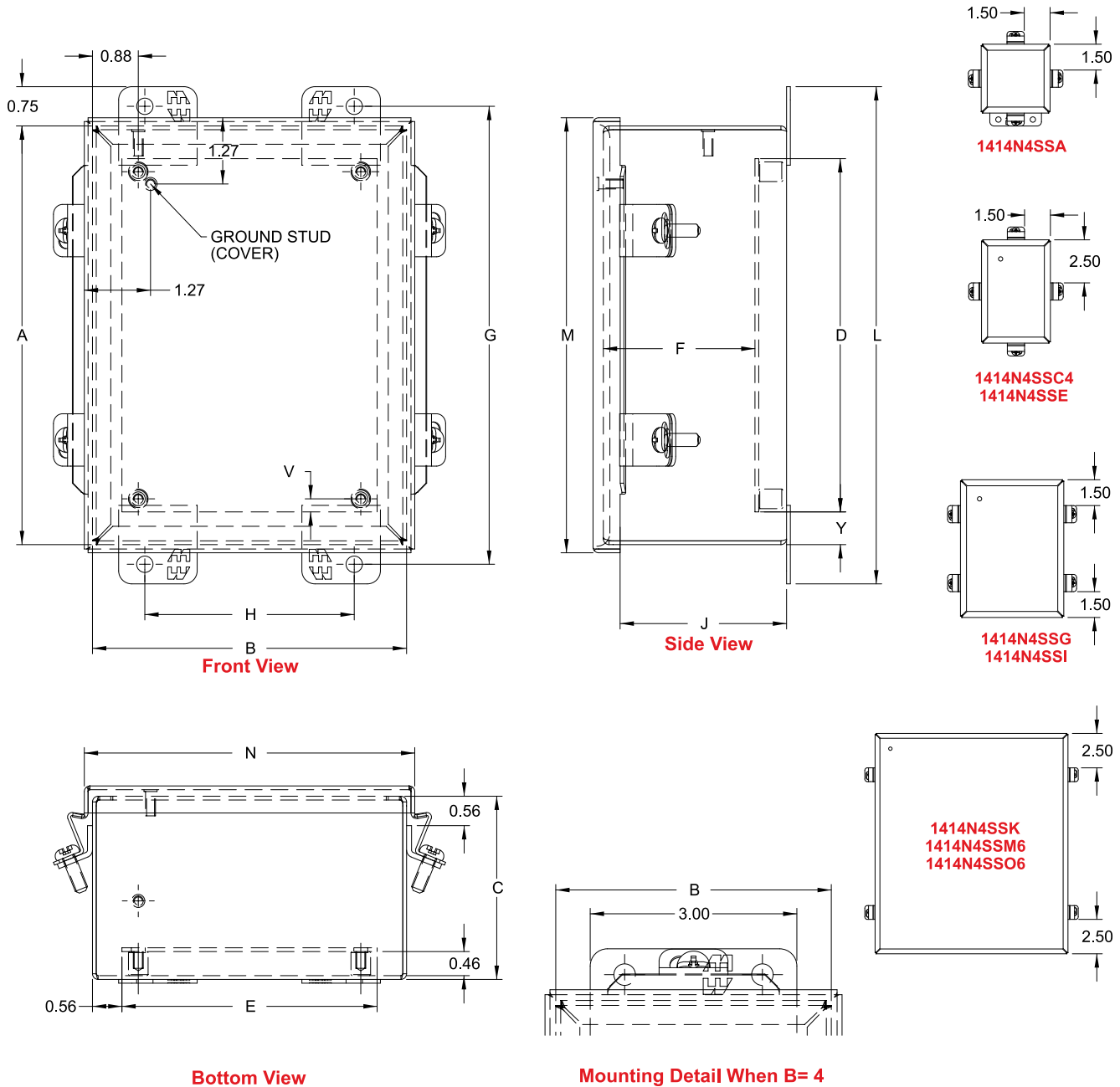
- Cover and enclosure are natural stainless steel with a smooth brushed finish.
- Removable inner panel is finished in white powder coating.

Accessories

- Additional inner panels...see page **436**
- Breather kits...see page **400-401**
- Door clamping hardware
...see page **429**
- Filter fans...see page **371-384**
- Heaters...see page **393-396**
- Louvered ventilating plates
...see page **402**
- Terminal kit assemblies
...see page **441**
- Thermostats...see page **397**
- Window kits...see page **449**

1414 N4 SS Stainless Steel Enclosures - NEMA 4X

Lift-Off, Clamped Cover



Corrosion Resistant

Junction Boxes

Part Number	Dimensions			Panel Size			Mounting Centers			Cover Dim.				Shit Wt. Lbs	
	A	B	C	D	E	F	G	H	J	L	M	N	V		Y
1414N4SSA	4.00	4.00	3.00	-	-	-	4.75	2.00	2.60	5.50	4.31	4.31	-	-	2
1414N4SSC4	6.00	4.00	4.00	4.88	2.88	3.50	6.75	2.00	3.60	7.50	6.31	4.31	0.31	0.56	3
1414N4SSE	6.00	6.00	4.00	4.88	4.88	3.50	6.75	4.00	3.60	7.50	6.31	6.31	0.31	0.56	6
1414N4SSG	8.00	6.00	3.50	6.75	4.88	3.00	8.75	4.00	3.60	9.50	8.31	6.31	0.25	0.63	6
1414N4SSI	10.00	8.00	4.00	8.75	6.88	3.50	10.75	6.00	3.60	11.50	10.31	8.31	0.25	0.63	10
1414N4SSK	12.00	10.00	5.00	10.75	8.88	4.50	12.75	8.00	4.60	13.50	12.31	10.31	0.25	0.63	15
1414N4SSM6	14.00	12.00	6.00	12.75	10.88	5.50	14.75	10.00	5.60	15.50	14.31	12.31	0.25	0.63	20
1414N4SSO6	16.00	14.00	6.00	14.75	12.88	5.50	16.75	12.00	5.60	17.50	16.31	14.31	0.25	0.63	26

Technical references and CAD downloads available at www.hammondmfg.com

All dimensions in inches unless specified otherwise

Quality Products. Service Excellence.

Eclipse Series, Stainless Steel - NEMA 4X Single Door Enclosures



Single Door with quarter turns

Panel
Sold
Separately



Corrosion Resistant

Wallmount Enclosures

Application

- Designed to enclose electrical and/or electronic equipment and protect against harsh, industrial environments for wallmount applications.
- Impressive styling features like hidden hinges and attractive latching systems make the Eclipse a suitable addition to any high-tech equipment installation.
- A wide range of sizes and practical accessories make this product line a complete package.

Standards

- UL 508 Type 3R, 4, 4X and 12
- CSA Type 3R, 4, 4X and 12
- **Complies with**
 - NEMA 3R, 4, 4X, 12 and 13
 - IEC 60529, IP 66

Construction

- Formed 14 or 16 gauge 304 or 316 stainless steel.
- Continuously welded seams ground smooth.
- Door stiffeners are provided where required for increased strength and rigidity - designed to also permit additional mounting options.
- Formed lip on enclosure to exclude flowing liquids and contaminants.
- Door latches feature the added safety of quarter turn slot requiring use of tool for opening.
- Doors may be easily removed for modifications and are interchangeable.
- Seamless poured-in place gasket.
- Collar studs provided for mounting inner panel.
- Includes hardware kit with panel mounting nuts and sealing washers for wall mounting holes.
- Bonding stud provided on door and grounding stud installed in enclosure.
- 3 point latching handle (where applicable) is zinc diecast with black epoxy finish.
- Stainless steel hinge pins and quarter turns.
- Door alignment guide provided on 36" wide enclosures.

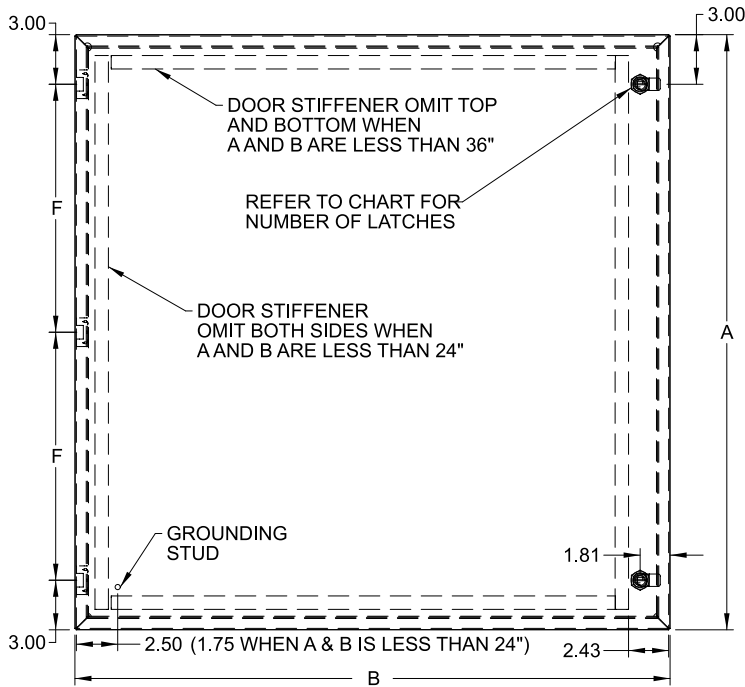
Finish

- Cover and enclosure are natural stainless steel with a smooth brushed finish.

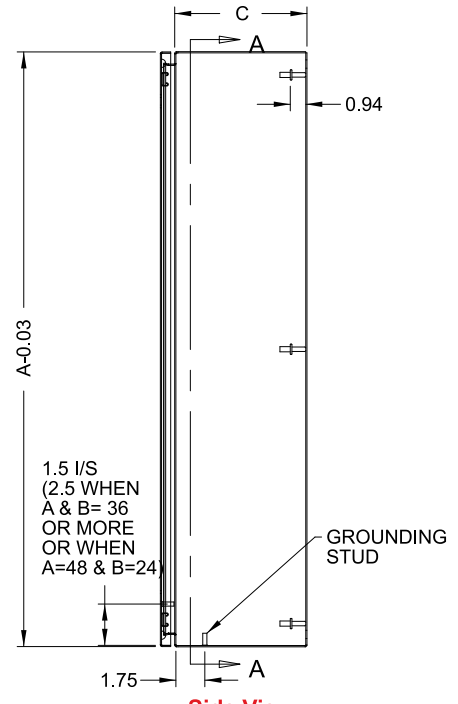
Accessories

- Air conditioners...see page **349-367**
- Blowers...see page **392**
- Breather kits...see page **400-401**
- DIN rails...see page **89**
- DIN rail mounting kit...see page **88**
- Door stop kit...see page **453**
- Door support guide...see page **451**
- Drip shield kits...see page **451**
- Filter fans...see page **371-384**
- Heaters...see page **393-396**
- Handles...see page **90**
- Inner panel...see page **87**
- Quarter turn inserts and keys ...see page **89**
- Literature pocket...see page **456**
- Mounting foot kit...see page **90**
- Swing frame...see page **88**
- Swing panel...see page **87**
- Replacement hinge pins...see page **88**
- Replacement quarter turn assemblies...see page **89**
- Thermostats...see page **397**
- UL/CSA approved hardware kit ...see page **433**
- Padlock Adaptor (EPA)...see page **90**

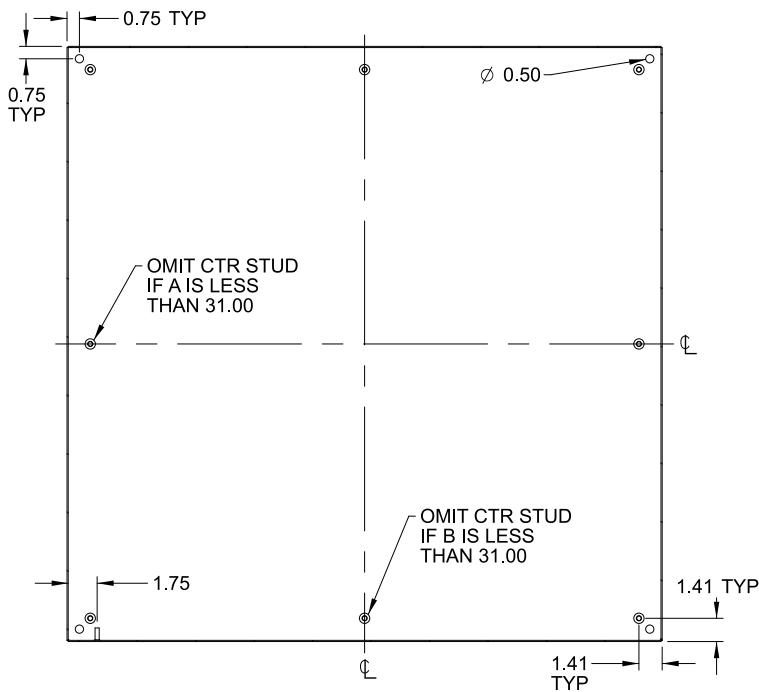
Eclipse Series, Stainless Steel - NEMA 4X Single Door Enclosures



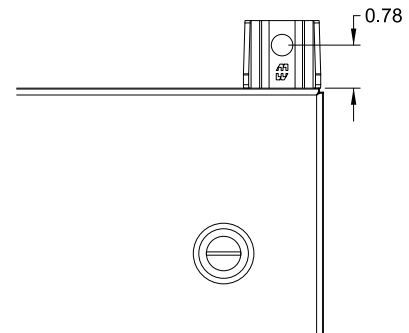
Front View



Side View



SECTION A-A



Mounting Foot Detail

Corrosion Resistant Wallmount Enclosures

Eclipse Series, Stainless Steel - NEMA 4X

Single Door Enclosures

**Corrosion Resistant
Wallmount Enclosures**

304 S.S. Part Number	316 S.S. Part Number	Overall Dimensions			Door/ Body Gauge	Latches Qty	Type	Opt. Panel Part No.	Panel Size		No. of Hinges	F	Ship Wt. Lbs.
		A	B	C					D	E			
EN4SD12126SS	EN4SD12126S16	12.00	12.00	6.00	16	1	Qtr Turn	EP1212	10.20	10.20	2	6	12
EN4SD16126SS	EN4SD16126S16	16.00	12.00	6.00	16	1	Qtr Turn	EP1612	14.20	10.20	2	10	16
EN4SD16166SS	EN4SD16166S16	16.00	16.00	6.00	16	1	Qtr Turn	EP1616	14.20	14.20	2	10	19
EN4SD16206SS	-	16.00	20.00	6.00	16	1	Qtr Turn	EP1620	14.20	18.20	2	10	22
EN4SD20166SS	EN4SD20166S16	20.00	16.00	6.00	16	1	Qtr Turn	EP2016	18.20	14.20	2	14	22
EN4SD20206SS	-	20.00	20.00	6.00	16	1	Qtr Turn	EP2020	18.20	18.20	2	14	26
EN4SD24206SS	EN4SD20206S16	24.00	20.00	6.00	16	1	Qtr Turn	EP2420	22.20	18.20	2	18	30
EN4SD16128SS	EN4SD16128S16	16.00	12.00	8.00	16	1	Qtr Turn	EP1612	14.20	10.20	2	10	16
EN4SD16168SS	EN4SD16168S16	16.00	16.00	8.00	16	1	Qtr Turn	EP1616	14.20	14.20	2	10	21
EN4SD16208SS	EN4SD16208S16	16.00	20.00	8.00	16	1	Qtr Turn	EP1620	14.20	18.20	2	10	25
EN4SD20168SS	EN4SD20168S16	20.00	16.00	8.00	16	1	Qtr Turn	EP2016	18.20	14.20	2	14	25
EN4SD20208SS	EN4SD20208S16	20.00	20.00	8.00	16	1	Qtr Turn	EP2020	18.20	18.20	2	14	28
EN4SD20248SS	-	20.00	24.00	8.00	16	1	Qtr Turn	EP2024	18.20	22.20	2	14	32
EN4SD24168SS	EN4SD24168S16	24.00	16.00	8.00	16	1	Qtr Turn	EP2416	22.20	14.20	2	18	26
EN4SD24208SS	EN4SD24208S16	24.00	20.00	8.00	16	1	Qtr Turn	EP2420	22.20	18.20	2	18	32
EN4SD24248SS	EN4SD24248S16	24.00	24.00	8.00	14	2	Qtr Turn	EP2424	22.20	22.20	2	18	40
EN4SD24308SS	-	24.00	30.00	8.00	14	2	Qtr Turn	EP2430	22.20	28.20	2	18	48
EN4SD30208SS	-	30.00	20.00	8.00	14	2	Qtr Turn	EP3020	28.20	18.20	3	12	42
EN4SD30248SS	EN4SD30248S16	30.00	24.00	8.00	14	2	Qtr Turn	EP3024	28.20	22.20	3	12	46
EN4SD30308SS	EN4SD30308S16	30.00	30.00	8.00	14	2	Qtr Turn	EP3030	28.20	28.20	3	12	67
EN4SD36248SS	EN4SD36248S16	36.00	24.00	8.00	14	2	Qtr Turn	EP3624	34.20	22.20	3	15	55
EN4SD36308SS	EN4SD36308S16	36.00	30.00	8.00	14	2	Qtr Turn	EP3630	34.20	28.20	3	15	77
EN4SD42368SSR	-	42.00	36.00	8.00	14	5	Qtr Turn	EP4236	40.20	34.20	4	12	106
EN4SD48368SSR	-	48.00	36.00	8.00	14	5	Qtr Turn	EP4836	46.20	34.20	4	14	124
EN4SD161210SS	EN4SD161210S16	16.00	12.00	10.00	16	1	Qtr Turn	EP1612	14.20	10.20	2	10	18
EN4SD161610SS	EN4SD161610S16	16.00	16.00	10.00	16	1	Qtr Turn	EP1616	14.20	14.20	2	10	23
EN4SD162010SS	EN4SD162010S16	16.00	20.00	10.00	16	1	Qtr Turn	EP1620	14.20	18.20	2	10	28
EN4SD201610SS	EN4SD201610S16	20.00	16.00	10.00	16	1	Qtr Turn	EP2016	18.20	14.20	2	14	28
EN4SD202010SS	EN4SD202010S16	20.00	20.00	10.00	16	1	Qtr Turn	EP2020	18.20	18.20	2	14	31
EN4SD202410SS	EN4SD202410S16	20.00	24.00	10.00	16	1	Qtr Turn	EP2024	18.20	22.20	2	14	38
EN4SD241610SS	EN4SD241610S16	24.00	16.00	10.00	16	1	Qtr Turn	EP2416	22.20	14.20	2	18	30
EN4SD242010SS	EN4SD242010S16	24.00	20.00	10.00	16	1	Qtr Turn	EP2420	22.20	18.20	2	18	38
EN4SD242410SS	EN4SD242410S16	24.00	24.00	10.00	14	2	Qtr Turn	EP2424	22.20	22.20	2	18	45
EN4SD243010SS	EN4SD243010S16	24.00	30.00	10.00	14	2	Qtr Turn	EP2430	22.20	28.20	2	18	53
EN4SD302010SS	EN4SD302010S16	30.00	20.00	10.00	14	2	Qtr Turn	EP3020	28.20	18.20	3	12	47
EN4SD302410SS	EN4SD302410S16	30.00	24.00	10.00	14	2	Qtr Turn	EP3024	28.20	22.20	3	12	53
EN4SD303010SS	EN4SD303010S16	30.00	30.00	10.00	14	2	Qtr Turn	EP3030	28.20	28.20	3	12	75
EN4SD362410SS	EN4SD362410S16	36.00	24.00	10.00	14	2	Qtr Turn	EP3624	34.20	22.20	3	15	62
EN4SD363010SS	EN4SD363010S16	36.00	30.00	10.00	14	2	Qtr Turn	EP3630	34.20	28.20	3	15	83
EN4SD423010SSR	-	42.00	30.00	10.00	14	5	Qtr Turn	EP4230	40.20	28.20	4	12	110
EN4SD482410SS	EN4SD482410S16	48.00	24.00	10.00	14	1	3-point	EP4824	46.20	26.20	4	14	95
EN4SD202012SS	EN4SD202012S16	20.00	20.00	12.00	16	1	Qtr Turn	EP2020	18.20	18.20	2	14	34
EN4SD242412SS	EN4SD242412S16	24.00	24.00	12.00	14	2	Qtr Turn	EP2424	22.20	22.20	2	18	47
EN4SD302412SS	EN4SD302412S16	30.00	24.00	12.00	14	2	Qtr Turn	EP3024	28.20	22.20	3	12	57
EN4SD362412SS	EN4SD362412S16	36.00	24.00	12.00	14	2	Qtr Turn	EP3624	34.20	22.20	3	15	62
EN4SD363012SS	EN4SD363012S16	36.00	30.00	12.00	14	2	Qtr Turn	EP3630	34.20	28.20	3	15	95
EN4SD363612SS	EN4SD363612S16	36.00	36.00	12.00	14	2	Qtr Turn	EP3636	34.20	34.20	3	15	104
EN4SD423612SSR	-	42.00	36.00	12.00	14	5	Qtr Turn	EP4236	40.20	34.20	4	12	121
EN4SD483612SSR	-	48.00	36.00	12.00	14	5	Qtr Turn	EP4836	46.20	34.20	4	14	148
EN4SD603612SSR	-	60.00	36.00	12.00	14	5	Qtr Turn	EP6036	58.20	34.20	4	18	162
EN4SD302416SS	-	30.00	24.00	16.00	14	2	Qtr Turn	EP3024	28.20	22.20	3	12	60
EN4SD363016SS	-	36.00	30.00	16.00	14	2	Qtr Turn	EP3630	34.20	28.20	3	15	89
EN4SD483616SSR	EN4SD483616S16R	48.00	36.00	16.00	14	6	Qtr Turn	EP4836	46.20	34.20	4	14	135

 Technical references and CAD downloads available at www.hammondmfg.com

All dimensions in inches unless specified otherwise

Eclipse Series, Stainless Steel - NEMA 4X Single Window Door Enclosures



Panel
Sold
Separately



Corrosion Resistant Wallmount Enclosures

Application

- Designed to enclose electrical and/or electronic equipment in wallmount applications where viewing of component operation is necessary while maintaining protection ratings.
- Impressive styling features like hidden hinges and attractive latching systems make the Eclipse a suitable addition to any high-tech equipment installation.
- A wide range of sizes and practical accessories make this product line a complete package.

Standards

- UL 508 Type 3R, 4, 4X and 12
- CSA Type 3R, 4, 4X and 12
- **Complies with**
 - NEMA Type 3R, 4, 4X, 12 and 13
 - IEC 60529, IP66

Construction

- Formed 14 or 16 gauge 304 stainless steel.
- Full view UV resistant polycarbonate window allows maximum viewing area of inner panel.
- Continuously welded seams ground smooth.
- Door stiffeners are provided where required for increased strength and rigidity - designed to also permit additional mounting options.
- Formed lip on enclosure to exclude flowing liquids and contaminants.
- Door latches feature the added safety of quarter turn slot requiring use of tool for opening.
- Doors may be easily removed for modifications and are interchangeable.
- Seamless poured-in place gasket.
- Collar studs provided for mounting inner panel.
- Includes hardware kit with panel mounting nuts and sealing washers for wall mounting holes.
- Bonding stud provided on door and grounding stud installed in enclosure.
- Hinges are constructed from 304 stainless steel.
- Stainless steel hinge pins and quarter turns.

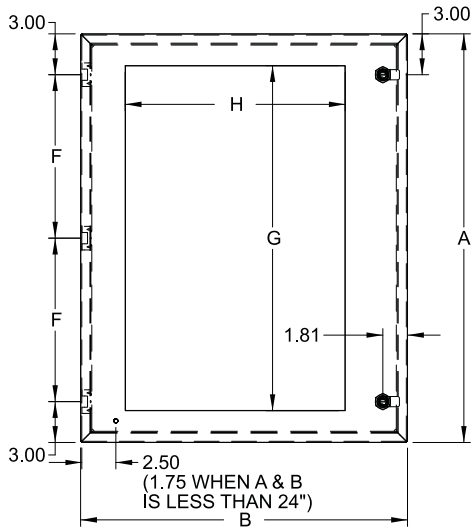
Finish

- Cover and enclosure are natural stainless steel with a smooth brushed finish.

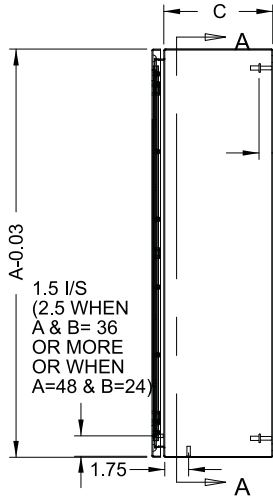
Accessories

- Air conditioners...see page **349-367**
- Blowers...see page **392**
- Breather kits...see page **400-401**
- DIN rails...see page **89**
- DIN rail mounting kit...see page **88**
- Door stop kit...see page **453**
- Door support guide...see page **451**
- Drip shield kits...see page **451**
- Filter fans...see page **371-384**
- Heaters...see page **393-396**
- Handles...see page **90**
- Inner panel...see page **87**
- Quarter turn inserts and keys...see page **89**
- Literature pocket...see page **456**
- Mounting foot kit...see page **90**
- Swing frame...see page **88**
- Swing panel...see page **87**
- Replacement hinge pins...see page **88**
- Replacement quarter turn assemblies...see page **89**
- Thermostats...see page **397**
- UL/CSA approved hardware kit...see page **433**
- Padlock Adaptor (EPA)...see page **90**

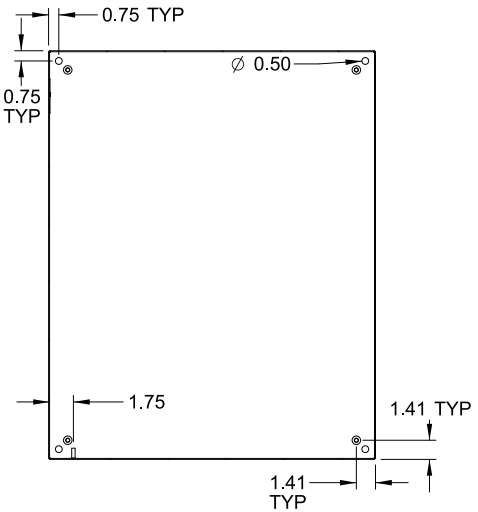
Eclipse Series, Stainless Steel - NEMA 4X Single Window Door Enclosures



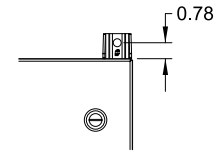
Front View



Side View



SECTION A-A



Mounting Foot Detail

Corrosion Resistant

Wallmount Enclosures

Part No.	Overall Dimensions			Door/ Body Gauge	Latch ¹ Qty	Hinge Qty	Viewing Area			Optional Panel Part No.	Inner Panel Dimensions		Ship Wt. Lbs.
	A	B	C				F	G	H		D	E	
EN4SD12126WSS	12	12	6	16	1	2	10	7.33	6.71	EP1212	10.2	10.2	14
EN4SD16126WSS	16	12	6	16	1	2	10	11.33	6.71	EP1612	14.2	10.2	16
EN4SD20166WSS	20	16	6	16	1	2	14	15.33	10.71	EP2016	18.2	14.2	22
EN4SD20206WSS	20	20	6	16	1	2	14	15.33	14.71	EP2020	18.2	18.2	26
EN4SD20168WSS	20	16	8	16	1	2	14	15.33	10.71	EP2016	18.2	14.2	25
EN4SD20208WSS	20	20	8	16	1	2	14	15.33	14.71	EP2020	18.2	18.2	28
EN4SD24208WSS	24	20	8	16	1	2	18	19.33	14.71	EP2420	22.2	18.2	32
EN4SD24248WSS	24	24	8	14	2	2	18	19.33	16.15	EP2424	22.2	22.2	40
EN4SD30248WSS	30	24	8	14	2	3	12	25.33	16.15	EP3024	28.2	22.2	46
EN4SD161210WSS	16	12	10	16	1	2	10	11.33	6.71	EP1612	14.2	10.2	16
EN4SD201610WSS	20	16	10	16	1	2	14	15.33	10.71	EP2016	18.2	14.2	25
EN4SD202010WSS	20	20	10	16	1	2	14	15.33	14.71	EP2020	18.2	18.2	28
EN4SD242010WSS	24	20	10	16	1	2	18	19.33	14.71	EP2420	22.2	18.2	32
EN4SD242410WSS	24	24	10	14	2	2	18	19.33	16.15	EP2424	22.2	22.2	40
EN4SD302410WSS	30	24	10	14	2	3	12	25.33	16.15	EP3024	28.2	22.2	46
EN4SD202012WSS	20	20	12	16	1	2	18	15.33	14.71	EP2020	18.2	18.2	34
EN4SD302412WSS	30	24	12	14	2	3	12	25.33	16.15	EP3024	28.2	22.2	57

¹ All Window Door latch types are quarter turns.

Eclipse Series, Painted Stainless Steel - NEMA 4X

Single Door Enclosures with 3-Point Handle



Panel
Sold
Separately



Corrosion Resistant

Wallmount Enclosures

Application

- Designed to enclose electrical and/or electronic equipment and protect against harsh, industrial environments for wallmount applications.
- Impressive styling features like hidden hinges and attractive latching systems make the Eclipse a suitable addition to any high-tech equipment installation.
- A wide range of sizes and practical accessories make this product line a complete package.

Standards

- UL 508 Type 3R, 4, 4X and 12
- CSA Type 3R, 4, 4X and 12
- **Complies with**
 - NEMA 3R, 4, 4X, 12 and 13
 - IEC 60529, IP 66

Construction

- Formed 14 gauge 304 stainless steel.
- Continuously welded seams ground smooth.
- Door stiffeners are provided where required for increased strength and rigidity - designed to also permit additional mounting options.
- Formed lip on enclosure to exclude flowing liquids and contaminants.
- Doors are secured with a 3 point Handle in 316 stainless with pad lockable feature.
- Doors may be easily removed for modifications and are interchangeable.
- Seamless poured-in place gasket.
- Collar studs provided for mounting inner panel.
- Includes hardware kit with panel mounting nuts and sealing washers for wall mounting holes.
- Bonding stud provided on door and grounding stud installed in enclosure.
- Stainless steel hinge pins and hinges.

Finish

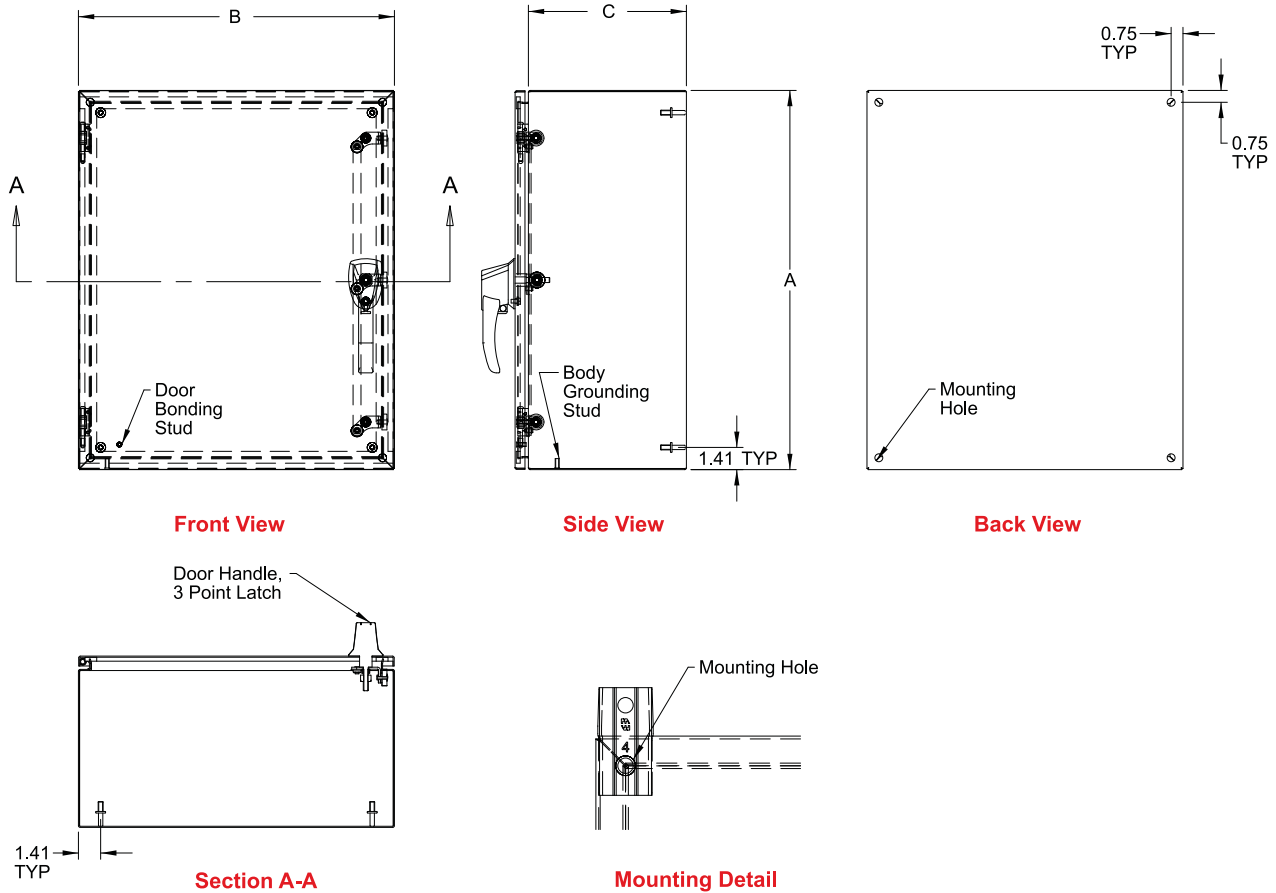
- Cover and enclosure are finished in recoatable smooth RAL 9003 White powder coating inside and out.

Accessories

- Air conditioners...see page **349-367**
- Blowers...see page **392**
- Breather kits...see page **400-401**
- DIN rails...see page **89**
- DIN rail mounting kit...see page **88**
- Door stop kit...see page **453**
- Door support guide...see page **451**
- Drip shield kits...see page **451**
- Filter fans...see page **371-384**
- Heaters...see page **393-396**
- Handles...see page **90**
- Inner panel...see page **87**
- Literature pocket...see page **456**
- Mounting foot kit...see page **90**
- Swing frame...see page **88**
- Swing panel...see page **87**
- Replacement hinge pins
...see page **88**
- Thermostats...see page **397**
- UL/CSA approved hardware kit
...see page **433**

Eclipse Series, Painted Stainless Steel - NEMA 4X

Single Door Enclosures with 3-Point Handle


Corrosion Resistant
Wallmount Enclosures

Part No.	Overall Dimensions			Door/Body Gauge	Opt. Panel Part No.	Panel Size		No. of Hinges	Ship Wt. Lbs.
	A	B	C			D	E		
EN4SD24248SSWH	24.00	24.00	8.00	14	EP2424	22.20	22.20	2	32
EN4SD30248SSWH	30.00	24.00	8.00	14	EP3024	28.20	22.20	3	46
EN4SD242010SSWH	24.00	20.00	10.00	14	EP2420	22.20	18.20	2	38
EN4SD242412SSWH	24.00	24.00	12.00	14	EP2424	22.20	22.20	2	47
EN4SD363012SSWH	36.00	30.00	12.00	14	EP3630	34.20	28.20	3	99
EN4SD363612SSWH	36.00	36.00	12.00	14	EP3636	34.20	34.20	3	104
EN4SD423612SSWH	42.00	36.00	12.00	14	EP4236	40.20	34.20	4	109
EN4SD483612SSWH	48.00	36.00	12.00	14	EP4836	46.20	34.20	4	124
EN4SD483616SSWH	48.00	36.00	16.00	14	EP4836	46.20	34.20	4	135
EN4SD603612SSWH	60.00	36.00	12.00	14	EP6036	58.20	34.20	4	155

Eclipse Sloped Top Series, Stainless Steel - NEMA 4X

Sloped Top Enclosures



Panel
Sold
Separately



Corrosion Resistant

Wallmount Enclosures

Application

- Designed to enclose electrical and/or electronic equipment and protect against harsh, industrial environments for wallmount applications.
- Sloped top prevents water from resting on top as well as providing potential for controls mounting
- Impressive styling features like hidden hinges and attractive latching systems make the Eclipse a suitable addition to any high-tech equipment installation.
- A wide range of sizes and practical accessories make this product line a complete package.

Standards

- UL 508 Type 3R, 4, 4X and 12
- CSA Type 3R, 4, 4X and 12
- **Complies with**
 - NEMA 3R, 4, 4X, 12 and 13
 - IEC 60529, IP 66

Construction

- Formed 14 gauge 304 stainless steel.
- Continuously welded seams ground smooth.
- Door stiffeners are provided where required for increased strength and rigidity - designed to also permit additional mounting options.
- Formed lip on enclosure to exclude flowing liquids and contaminants.
- Door latches feature the added safety of quarter turn slot requiring use of tool for opening.
- Doors may be easily removed for modifications and are interchangeable.
- Seamless poured-in place gasket.
- Collar studs provided for mounting inner panel.
- Includes hardware kit with panel mounting nuts and sealing washers for wall mounting holes.
- Bonding stud provided on door and grounding stud installed in enclosure.
- Hinges are 304 stainless.
- Stainless steel hinge pins and quarter turns.
- Door alignment guide provided on 36" wide enclosures.

Finish

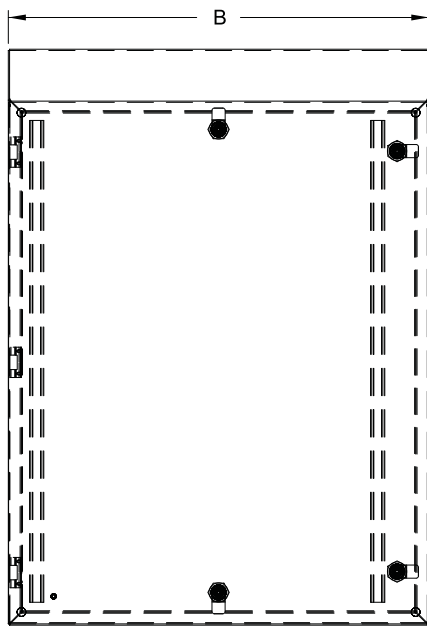
- Cover and enclosure are natural stainless steel with a smooth brushed finish.

Accessories

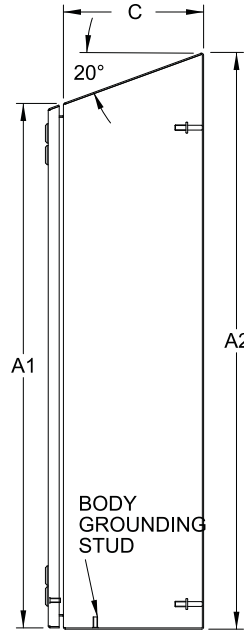
- Air conditioners...see page **349-367**
- Blowers...see page **392**
- Breather kits...see page **400-401**
- DIN rails...see page **89**
- DIN rail mounting kit...see page **88**
- Door stop kit...see page **453**
- Door support guide...see page **451**
- Filter fans...see page **371-384**
- Heaters...see page **393-396**
- Handles...see page **90**
- Inner panel...see page **87**
- Quarter turn inserts and keys ...see page **89**
- Literature pocket...see page **456**
- Mounting foot kit...see page **90**
- Swing frame...see page **88**
- Swing panel...see page **87**
- Replacement hinge pins...see page **88**
- Replacement quarter turn assemblies...see page **89**
- Thermostats...see page **397**
- UL/CSA approved hardware kit ...see page **433**
- Padlock Adaptor (EPA)...see page **90**

Eclipse Sloped Top Series, Stainless Steel - NEMA 4X

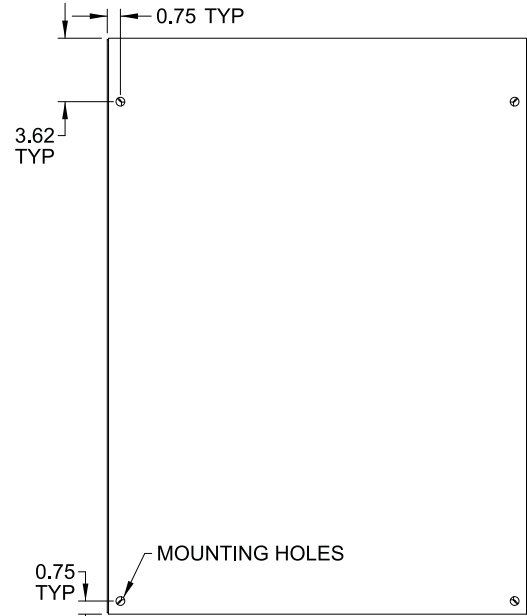
Sloped Top Enclosures



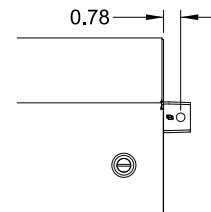
Front View



Side View



Back View



Mounting Foot Detail

Part Number	Dimensions [in]					Door/Body Gauge	Optional Panel Cat. Number	Latch Qty	Hinge Qty
	A1	A2	B	C	F				
ST161208SS	16	18.9	12	8	10	14	EP1612	2	2
ST161608SS	16	18.9	16	8	10	14	EP1616	2	2
ST201608SS	20	22.9	16	8	14	14	EP2016	2	2
ST201612SS	20	24.3	16	12	14	14	EP2016	2	2
ST202008SS	20	22.9	20	8	14	14	EP2020	2	2
ST202012SS	20	24.3	20	12	14	14	EP2020	2	2
ST242008SS	24	26.9	20	8	18	14	EP2420	2	2
ST242408SS	24	26.9	24	8	18	14	EP2424	4	2
ST242412SS	24	28.3	24	12	18	14	EP2424	4	2
ST302408SS	30	32.9	24	8	12	14	EP3024	4	3
ST302412SS	30	34.3	24	12	12	14	EP3024	4	3
ST303008SS	30	32.9	30	8	12	14	EP3030	4	3
ST363008SS	36	38.9	30	8	15	14	EP3630	5	3
ST363012SS	36	40.3	30	12	15	14	EP3630	5	3
ST363016SS	36	41.8	30	16	15	14	EP3630	5	3
ST363612SS	36	40.3	36	12	15	14	EP3636	5	3
ST483616SS	48	53.8	36	16	14	14	EP4836	5	4
ST603616SS*	60	65.8	36	16	18	14	EP6036	5	4

* Back is 10 gauge stainless steel

Technical references and CAD downloads available at www.hammondmfg.com

All dimensions in inches unless specified otherwise

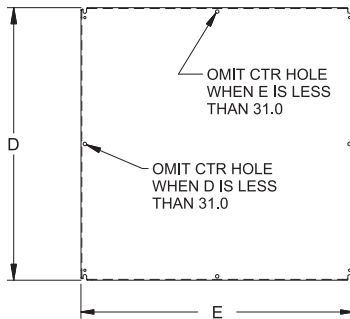
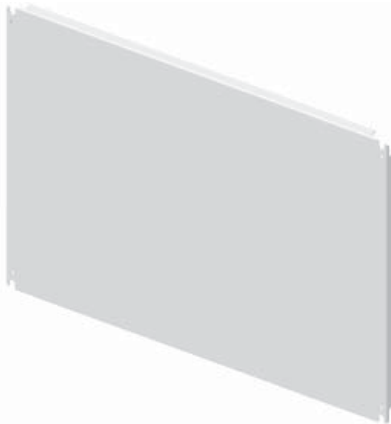
Quality Products. Service Excellence.

Eclipse Series - NEMA 4X

Accessories

Corrosion Resistant

Wallmount Enclosures



Eclipse Inner Panel

- Larger than standard NEMA panel used in same sized enclosure.
- Larger sizes have 2 or 4 formed flanges for added strength.
- Slotted corner design for easier mounting.
- Finished in white or unpainted galvanized.

Mild Steel Part No.	Galvanized Part No.	Size		
		D	E	Gauge
EP1212	EPG1212	10.2	10.2	12
EP1224	EPG1224	10.2	22.2	12
EP1612	EPG1612	14.2	10.2	12
EP1616	EPG1616	14.2	14.2	12
EP1620	EPG1620	14.2	18.2	12
EP2012	EPG2012	18.2	10.2	12
EP2016	EPG2016	18.2	14.2	12
EP2020	EPG2020	18.2	18.2	12
EP2024	EPG2024	18.2	22.2	12
EP2412	EPG2412	22.2	10.2	12
EP2416	EPG2416	22.2	14.2	12
EP2420	EPG2420	22.2	18.2	12
EP2424	EPG2424	22.2	22.2	12
EP2430	EPG2430	22.2	28.2	12
EP2442	EPG2442	22.2	40.2	12
EP2448	EPG2448	22.2	46.2	12
EP3012	EPG3012	28.2	10.2	12
EP3016	EPG3016	28.2	14.2	12
EP3020	EPG3020	28.2	18.2	12
EP3024	EPG3024	28.2	22.2	12

Mild Steel Part No.	Galvanized Part No.	Size		
		D	E	Gauge
EP3030	EPG3030	28.2	28.2	12
EP3036	EPG3036	28.2	34.2	12
EP3042	EPG3042	28.2	40.2	12
EP3048	EPG3048	28.2	46.2	12
EP3060	EPG3060	28.2	58.2	12
EP3624	EPG3624	34.2	22.2	12
EP3630	EPG3630	34.2	28.2	12
EP3636	EPG3636	34.2	34.2	12
EP3642	EPG3642	34.2	40.2	12
EP3648	EPG3648	34.2	46.2	12
EP3660	EPG3660	34.2	58.2	12
EP4224	EPG4224	40.2	22.2	12
EP4230	EPG4230	40.2	28.2	12
EP4236	EPG4236	40.2	34.2	12
EP4824	EPG4824	46.2	22.2	12
EP4830	EPG4830	46.2	28.2	12
EP4836	EPG4836	46.2	34.2	12
EP6036	EPG6036	58.2	34.2	12
EP7230	EPG7230	70.2	28.2	12
EP7236	EPG7236	70.2	34.2	12

Eclipse Swing Panel

- Hinged panel allows access to internally mounted equipment.
- 12 gauge steel construction.
- Slotted quarter turn latches provide closure.
- Adding optional locking quarter turn latches (Part Number EQTRL...see page 89) convert this to a dead front panel.
- Complete with 4-6" depth adjustment channels.
- Hardware kit maintains UL, CSA and NEMA ratings when field installed.
- Finished in white.



Part No.	Fits Enclosure Size (A x B)
ESP1212	12 x 12
ESP1612	16 x 12
ESP1616	16 x 16
ESP2016	20 x 16
ESP2416	24 x 16
ESP1620	16 x 20
ESP2020	20 x 20

Part No.	Fits Enclosure Size (A x B)
ESP2420	24 x 20
ESP3020	30 x 20
ESP2024	20 x 24
ESP2424	24 x 24
ESP3024	30 x 24
ESP3624	36 x 24
ESP3030	30 x 30

Part No.	Fits Enclosure Size (A x B)
ESP3630	36 x 30
ESP3636	36 x 36
ESP4236	42 X 36
ESP4824	48 X 24
ESP4836	48 X 36
ESP6036	60 X 36

Eclipse Series - NEMA 4X Accessories



Eclipse Replacement Hinge Pins

- These are supplied with enclosure but offered here as replacements should originals be misplaced.
- Packaged in quantities of 5.

Part No.	Material
EPINSS	Stainless steel hinge pin



Eclipse Swing Frame

- Provides 19" rack mounting with full EIA spacing (punched holes).
- Hinges allow easy equipment access.
- Slotted quarter turn latches provide closure.
- Adding optional locking quarter turn latches (**EQTRL...** see page 89) provides added security.
- Complete with 4-6" depth adjustment channels.

- Order package of 25 clip nuts separately (Part No. **1421N25**).
- Hardware kit maintains UL, CSA and NEMA ratings when field installed.
- Finished in black.



Part No.	Fits Enclosure		Rack Spacing	
	Size (A x B)	Width	Height (Units)	
ESF2424	24 x 24	19	11	
ESF3024	30 x 24	19	14	
ESF3624	36 x 24	19	17	

Corrosion Resistant

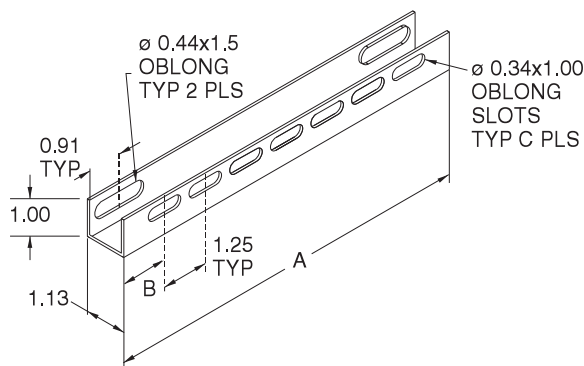
Wallmount Enclosures



DIN Rail Mounting Kit

- Field installable.
- Mounts directly to panel collar studs (panel not required).
- Accepts optional DIN rails, see below.
- DIN rails available separately.
- Zinc plated, yellow dichromate.

Part No.	A	B	C
2DMK12	10	1.25	7
2DMK16	14	0.75	11
2DMK20	18	0.88	14
2DMK24	22	1.00	17
2DMK30	28	0.88	22



Technical references and CAD downloads available at www.hammondmfg.com

All dimensions in inches unless specified otherwise

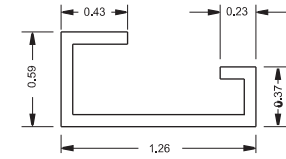
Quality Products. Service Excellence.

Eclipse Series - NEMA 4X Accessories

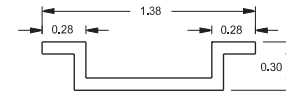


DIN Rails

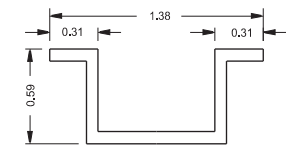
- Field installable.
- Includes a set of 3 plated rails.
- Available in 3 industry standard profiles - DIN 1, DIN 3, and CENELEC.
- DIN rail mounting kit required for installation (see above).
- Rails have a 0.28 x 1.25 oblong slot on each end.
- Zinc plated.



Asymmetric DIN 1 Pro



Symmetric DIN 3 Pro



CENELEC Pro

Asymmetric Din 1 Profile Part No.	Symmetric Din 3 Profile Part No.	Cenelec Profile Part No.	Length
2D1K12	2D2K12	2DCK12	9.25
2D1K16	2D2K16	2DCK16	13.25
2D1K20	2D2K20	2DCK20	17.25
2D1K24	2D2K24	2DCK24	21.25
2D1K30	2D2K30	2DCK30	27.25

Corrosion Resistant

Wallmount Enclosures



Quarter Turn Inserts and Keys

- Field installable inserts replace standard quarter turn slot.
- Available in 7mm square and triangle formats, as well as slotted.
- Square and triangle inserts provide extra security since standard screw drivers cannot open.
- Keys sold separately from inserts.
- Maintains NEMA, UL and CSA 12, 4 and 4X ratings.

Part No.	Description
2SQI7	7mm square insert, black
2SQK7	7mm square key, fits 2SQI7
2TRI7	7mm triangle insert, black
2TRK7	7mm triangle key, fits 2TRI7
2SLI	Slotted insert, black



Replacement Quarter Turn Assemblies

- Field installable.
- Interchangeable with standard quarter turn latches.
- Maintains NEMA, UL and CSA ratings as noted.

Part No.	Description	Material	NEMA Rating
EQTRL ¹	Locking Qtr Turn	Zinc Die/Chrome	n/a (internal use only)
2QTR	Slotted Qtr Turn	Zinc Die/Black	12, 4
2SSQTR	Slotted Qtr Turn	Stainless steel	12, 4, 4X
2WKL	Wing knob lock	Zinc Die/Black	12, 4
2QPL	Padlockable quarter turn latch	Zinc Die/Black	12, 4

¹ For use with Swing Frame/Panel. ...see page 78. All others for use with enclosures.

Eclipse Series - NEMA 4X Accessories



Handles

- Field installable.
- Interchangeable with standard quarter turn latches.
- Maintain NEMA, UL and CSA ratings as noted.

Part No.	Description	Material	NEMA Rating
EHTL	Locking T Handle	Zinc Die/Black	12, 4
EHLL	Locking L Handle	Zinc Die/Black	12, 4
EHLPL	Padlockable L Handle	Zinc Plated	12
EHLPLSS	Padlockable L Handle	316 Stainless Steel	12, 4, 4X
EHLNLSS	Non Locking L Handle	316 Stainless Steel	12, 4, 4X
EHLSS	Locking L Handle	316 Stainless Steel	12, 4, 4X



Eclipse Mounting Foot Kit

- Maintains UL, CSA and NEMA ratings.
- Field installable.
- New triangular flanges prevent the foot from rotating
- Foot can still be mounted sideways as well as top/bottom
- Available in mild, 304SS and 316SS
- Packaged in quantities of four

Part No.	Material
EZPMFHD	Clear Zinc Plated, mild steel
ESSMFHD	Type 304 Stainless
ES16MFHD	Type 316 Stainless



Eclipse Padlock Adaptor

- For use with EN4SD Series Enclosures.
- Padlock adaptor fits directly over the slotted quarter turn preventing access.
- 2mm thick 14 gauge stainless steel.
- Stainless steel mounting hardware provided
- Once installed, the bolts cannot be removed without the door open.
- Easy installed in the field.
- Padlock not included.
- Maintains UL/CSA Type 4, 4X rating.

Part No.	EPA



Eclipse Rear Mounting Hole Plugs

- Used to plug rear mounting holes for Eclipse series
- Snap in plug designed for rear .50" mounting hole
- Packaged in quantities of 40

Part No.	EN4PLUG40

1418 Series Stainless Steel Enclosures - NEMA 4X

Single Door, Continuous Hinge, Clamped Cover



**Inner
Panel
Included**



Finish

- Cover and enclosure are natural stainless steel with a smooth brushed finish.
- Removable inner panel is finished in white powder coating.

Accessories

- Additional inner panels...see page **436**
- Air conditioners...see page **349-367**
- Blowers...see page **392**
- Breather kits...see page **400-401**
- Door clamping hardware
...see page **429**
- Door stop kits...see page **453**
- Door support guide...see page **451**
- Drip shield kits...see page **451**
- Enclosure stabilizers...see page **456**
- Filter fans...see page **371-384**
- Floor stand kits...see page **453**
- Heaters...see page **393-396**
- Lock kit...see page **431**
- Louvered ventilating plates
...see page **402**
- Quick release clamp...see page **429**
- Terminal kit assemblies
...see page **441**
- Thermostats...see page **397**
- Window kits...see page **449**

Application

- Designed for use as instrument enclosures, electric, hydraulic or pneumatic control housings, electrical junction boxes or terminal wiring enclosures.
- Provides protection where equipment may be hosed down or otherwise be very wet, or in specific applications where corrosion is a serious problem.

- Door is secured with easily operated stainless steel clamps.
- Provision for padlocking.
- Seamless poured-in place gasket.
- A removable 12 gauge inner panel is included.
- Collar studs are provided for mounting inner panels.
- A bonding stud is provided on the door and a grounding stud is provided in the enclosure.
- A literature pocket is provided for the inside of the door.

Standards

- UL 508 Type 3R, 4, 4X, and 12
- CSA Type 3R, 4, 4X, and 12
- **Complies with**
 - NEMA Type 3R, 4, 4X, 12 and 13
 - JIC EGP-1-1967 unless marked¹
 - IEC 60529, IP66

Construction

- Formed 14 gauge 304 or 316 stainless steel bodies and doors.
- Smooth, continuously welded seams without knockouts, cutouts or holes.
- Door and body stiffeners are provided in the larger enclosures for extra rigidity.
- Welded brackets provide for enclosure mounting.
- Formed lip on door and enclosure excludes flowing liquids and contaminants.
- Stainless steel continuous hinge on door may be removed by pulling the stainless steel hinge pin.

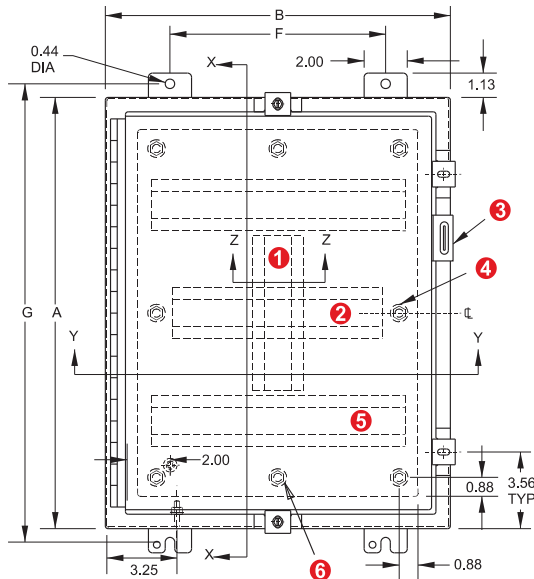
304 S.S. Part Number	316 S.S. Part Number	A	B	C	Panel Size		Mtg. Centers		Ship Wt. lbs.
					D	E	F	G	
1418N4SSB6 ²	1418N4S16B6 ²	16	12	6	13	9	9.5	17.25	28
1418N4SSG6 ²	1418N4S16G6 ²	16	16	6	13	13	10.0	17.25	30
1418N4SSCR6 ²	1418N4S16CR6 ²	16	20	6	13	17	14.0	17.25	38
1418N4SSC6 ²	1418N4S16C6 ²	20	16	6	17	13	10.0	21.25	38
1418N4SSD6 ²	1418N4S16D6 ²	20	20	6	17	17	14.0	21.25	40
1418N4SSE6	1418N4S16E6	24	20	6	21	17	14.0	25.25	61
1418N4SSJ6	1418N4S16J6	24	24	6	21	21	18.0	25.25	65
1418N4SSB8	1418N4S16B8	16	12	8	13	9	9.5	17.25	32
1418N4SSC8 ²	1418N4S16C8 ²	20	16	8	17	13	10.0	21.25	38
1418N4SSD8 ²	1418N4S16D8 ²	20	20	8	17	17	14.0	21.25	52
1418N4SSER8	1418N4S16ER8	20	24	8	17	21	18.0	21.25	61
1418N4SSH8	1418N4S16H8	24	16	8	21	13	10.0	25.25	61
1418N4SSE8	1418N4S16E8	24	20	8	21	17	14.0	25.25	61
1418N4SSJ8	1418N4S16J8	24	24	8	21	21	18.0	25.25	75
1418N4SSKR8	1418N4S16KR8	24	30	8	21	27	24.0	25.25	89
1418N4SSF8	1418N4S16F8	30	20	8	27	17	14.0	31.25	72
1418N4SSK8	1418N4S16K8	30	24	8	27	21	18.0	31.25	89
1418N4SSKK8	1418N4S16KK8	30	30	8	27	27	24.0	31.25	100
1418N4SSL8	1418N4S16L8	36	24	8	33	21	18.0	37.25	100
1418N4SSM8	1418N4S16M8	36	30	8	33	27	24	37.25	121

Technical references and CAD downloads available at www.hammondmfg.com

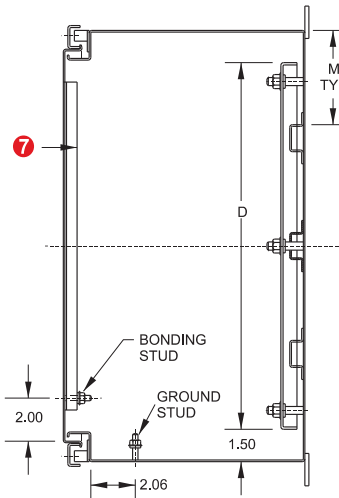
All dimensions in inches unless specified otherwise

1418 Series Stainless Steel Enclosures - NEMA 4X

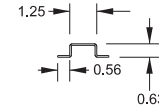
Single Door, Continuous Hinge, Clamped Cover



Front View

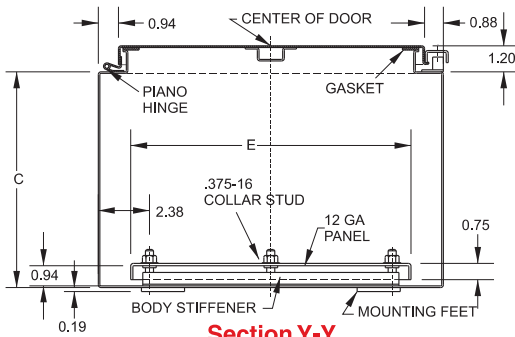


Side View



Section Z-Z

When A=	M=
30	7.00
36	9.00
42	9.88
48	11.38
60	14.38
72	17.38



Section Y-Y

- 1 Vertical stiffener required on KK, LL & M only.
- 2 Omit center body stiffener if A is less than 41".
- 3 Padlocking hasp and staple.
- 4 Omit 2 middle studs if A is less than 31".
- 5 Omit body stiffeners if A or B is less than 29".
- 6 Omit 2 middle studs if B is less than 31".
- 7 Omit door stiffener if A or B is less than 31" except if AxB is 42"x30".

Literature pocket supplied loose.
Number of door clamps varies to enclosure size.

304 S.S. Part Number	316 S.S. Part Number	A	B	C	Panel Size D	E	Mtg. Centers F	G	Ship Wt. lbs.
1418N4SSP8 ¹	1418N4S16P8 ¹	42	36	8	39	33	30	43.25	177
1418N4SSS8 ¹	1418N4S16S8 ¹	48	36	8	45	33	30	49.25	207
1418N4SSC10	1418N4S16C10	20	16	10	17	13	10	21.25	47
1418N4SSE10	1418N4S16E10	24	20	10	21	17	14	25.25	66
1418N4SSK10	1418N4S16K10	30	24	10	27	21	18	31.25	120
1418N4SSL10	1418N4S16L10	36	24	10	33	21	18	37.25	108
1418N4SSM10	1418N4S16M10	36	30	10	33	27	24	37.25	125
1418N4SSO10 ¹	1418N4S16O10 ¹	42	30	10	39	27	24	43.25	175
1418N4SSS10 ¹	1418N4S16S10 ¹	48	36	10	45	33	30	49.25	215
1418N4SSJ12	1418N4S16J12	24	24	12	21	21	18	25.25	71
1418N4SSK12	1418N4S16K12	30	24	12	27	21	18	31.25	95
1418N4SSM12	1418N4S16M12	36	30	12	33	27	24	37.25	136
1418N4SSLL12 ¹	1418N4S16LL12 ¹	36	36	12	33	33	30	37.25	202
1418N4SSS12 ¹	1418N4S16S12 ¹	48	36	12	45	33	30	49.25	225
1418N4SST12 ¹	1418N4S16T12 ¹	60	36	12	57	33	30	61.25	270
1418N4SSK16	1418N4S16K16	30	24	16	27	21	18	31.25	100
1418N4SSM16	1418N4S16M16	36	30	16	33	27	24	37.25	149
1418N4SSS16 ¹	1418N4S16S16 ¹	48	36	16	45	33	30	49.25	290
1418N4SST16 ¹	1418N4S16T16 ¹	60	36	16	57	33	30	61.25	280

¹ Does not meet JIC requirements ² Flat panel

Corrosion Resistant Wallmount Enclosures

HN4 Series Stainless Steel Two Door - NEMA 4X

Continuous Hinge, 3pt Handle



Inner
Panel
Included



Corrosion Resistant

Wallmount Enclosures

Application

- Designed to house electrical, electronic, hydraulic or pneumatic controls and instruments.
- Provides protection where equipment may be hosed down or otherwise be very wet, or in specific applications where corrosion is a serious problem.

Standards

- UL 508 Type 3R, 4X, and 12
- CSA Type 3R, 4X, and 12
- **Complies with**
 - NEMA Type 3R, 4X, 12 and 13
 - IEC 60529, IP66

Construction

- Formed 12 gauge 304 or 316 stainless steel.
- Smooth, continuously welded seams without knockouts, cutouts or holes.
- Doors are supported with heavy gauge continuous hinges.
- 3-pt padlocking door handle.
- Seamless poured-in place gasket.
- A grounding stud is provided in the enclosure and a bonding stud is provided on the door.
- Center post is removable for easy installation of the inner panel.

Finish

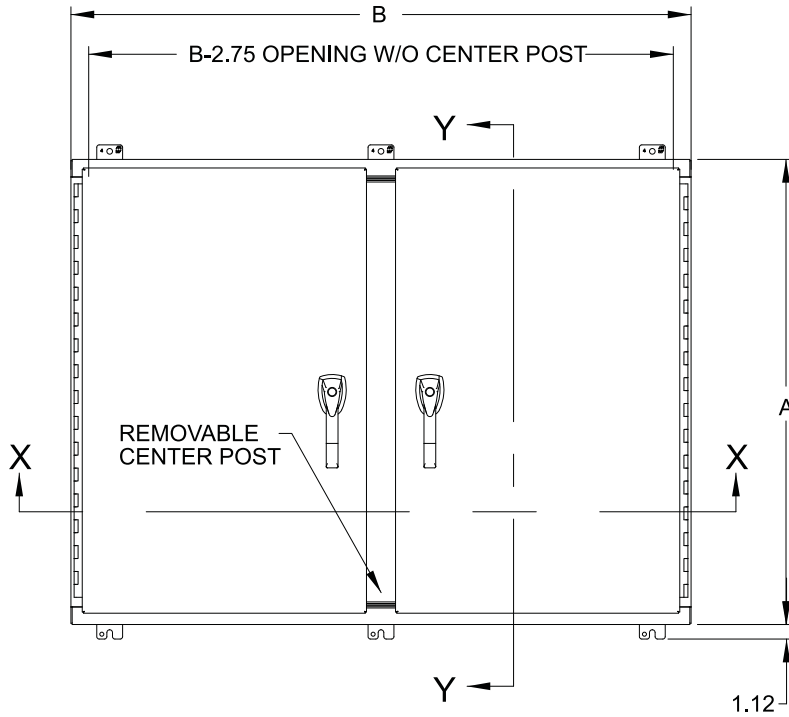
- Cover and enclosure are natural stainless steel with a smooth brushed finish.
- Removable inner panel is finished in white powder coating.

Accessories

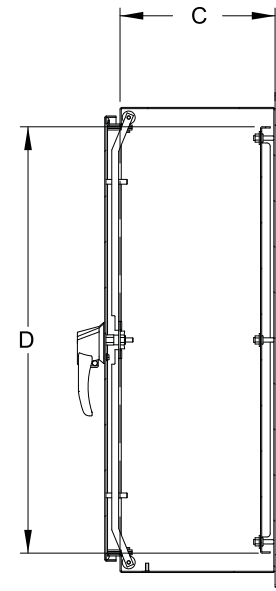
- Breather kits...see page **400-401**
- Door clamping hardware
...see page **429**
- Door stop kits...see page **453**
- Drip shield kits...see page **451**
- Door support guide...see page **451**
- Louvered ventilating plates
...see page **402**
- Thermostats...see page **397**
- Window kits...see page **449**

HN4 Series Stainless Steel Two Door - NEMA 4X

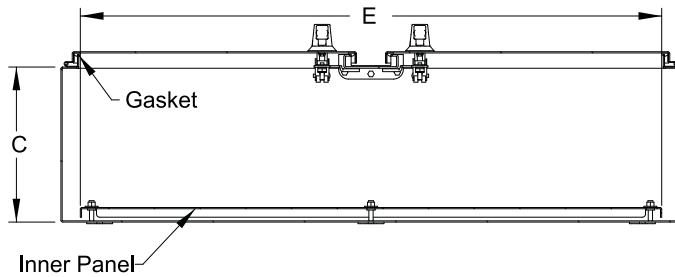
Continuous Hinge, 3pt Handle



Front View



Section Y-Y



Section X-X

304 S.S. Part Number	316 S.S. Part Number	A	B	C	Panel Size	
		D	E			
HN4WM24428SS	HN4WM24428S16	24	42	8	21	39
HN4WM24488SS	HN4WM24488S16	24	48	8	21	45
HN4WM304210SS	HN4WM304210S16	30	42	10	27	39
HN4WM304810SS	HN4WM304810S16	30	48	10	27	45
HN4WM306010SS	HN4WM306010S16	30	60	10	27	57
HN4WM364212SS	HN4WM364212S16	36	42	10	33	39
HN4WM364812SS	HN4WM364812S16	36	48	12	33	45
HN4WM366012SS	HN4WM366012S16	36	60	12	33	57
HN4WM424212SS	HN4WM424212S16	42	42	12	39	39
HN4WM424812SS	HN4WM424812S16	42	48	12	39	45
HN4WM426012SS	HN4WM426012S16	42	60	12	38	56
HN4WM484812SS	HN4WM484812S16	48	48	12	44	44

Technical references and CAD downloads available at www.hammondmfg.com

All dimensions in inches unless specified otherwise

Quality Products. Service Excellence.

1422 Series Stainless Steel Two Door Floor Mount - NEMA 4X

Continuous Hinge



Corrosion Resistant Floormount Enclosures

Application

- Designed to house electrical, electronic, hydraulic or pneumatic controls and instruments.
- Provides protection where equipment may be hosed down or otherwise be very wet, or in specific applications where corrosion is a serious problem.

Standards

- UL 508 Type 3R, 4, 4X, and 12
- CSA Type 3R, 4, 4X, and 12
- **Complies with**
 - NEMA Type 3R, 4, 4X, 12 and 13
 - JIC EGP-1-1967
 - IEC 60529, IP66

Construction

- Formed 12 gauge 304 or 316 stainless steel.
- Smooth, continuously welded seams without knockouts, cutouts or holes.
- Body stiffeners are provided in the larger enclosures for extra rigidity.
- Heavy duty stainless steel lifting eyebolts are provided with reinforcing support angles.
- Center post is removable for easy installation of the inner panel.
- Formed lip on door and top of enclosure opening exclude flowing liquids and contaminants.
- Continuously hinged doors may be removed by pulling the stainless steel hinge pin.
- Doors are secured with heavy duty stainless steel clamps.
- Provision for padlocking.
- 12" floor stands are welded to the enclosure.
- Seamless poured-in place gasket.
- Panel supports are provided for easy panel installation.
- Collar studs are provided for mounting inner panels.
- A bonding stud is provided on the door and a grounding stud is provided in the enclosure for each door.
- A literature pocket is provided.

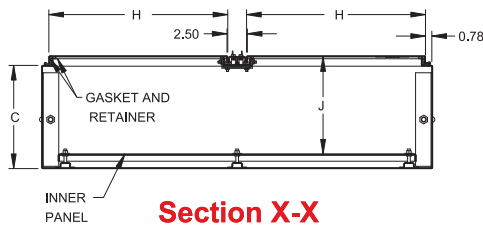
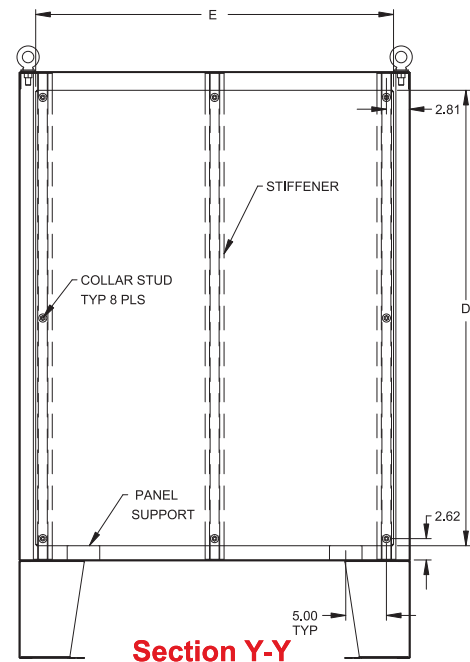
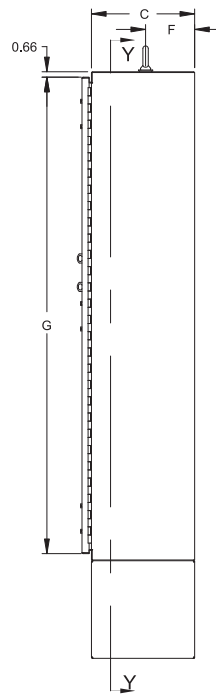
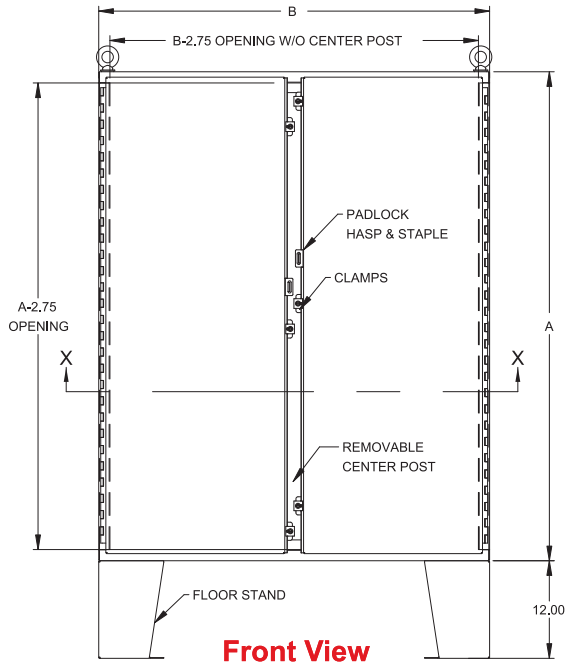
Finish

- Cover and enclosure are natural stainless steel with a smooth brushed finish.
- Removable inner panel is finished in white powder coating.

Accessories

- Breather kits...see page **400-401**
- Door clamping hardware
...see page **429**
- Door stop kits...see page **453**
- Door support guide...see page **451**
- Drip shield kits...see page **451**
- Louvered ventilating plates
...see page **402**
- Quick release clamp...see page **429**
- Thermostats...see page **397**
- Window kits...see page **449**

1422 Series Stainless Steel Two Door Floor Mount - NEMA 4X Continuous Hinge



Corrosion Resistant **Floormount Enclosures**

304 S.S. Part Number	316 S.S. Part Number	A	B	C	Body Gauge	Panel Gauge	Panel Size		D	F	G	H	J	Ship Wt. lbs.
1422N4SSB12F	1422N4S16B12F	60.13	48.06	12.69	12	10	56	E	44	6.3	58.59	22	11.87	491
1422N4SSD12F	1422N4S16D12F	60.13	60.06	12.69	12	10	56	56	56	6.3	58.59	28	11.87	567
1422N4SSE12F	1422N4S16E12F	72.13	60.06	12.69	12	10	68	56	56	6.3	70.59	28	11.87	645
1422N4SSF12F	1422N4S16F12F	72.13	72.06	12.69	12	10	68	68	68	6.3	70.59	34	11.87	750
1422N4SSF24F	1422N4S16F24F	72.13	72.06	24.69	12	10	68	68	68	12.3	70.59	34	23.87	945

Technical references and CAD downloads available at www.hammondmfg.com

All dimensions in inches unless specified otherwise

Quality Products. Service Excellence.

1422 Series Stainless Steel Two Door Floor Mount - NEMA 4X

Quarter Turn Latches

Corrosion Resistant Floormount Enclosures



Application

- Designed to house electrical, electronic, hydraulic or pneumatic controls and instruments.
- Provides protection where equipment may be hosed down or otherwise be very wet, or in specific applications where corrosion is a serious problem.

Standards

- UL 508 Type 3R, 4, 4X, and 12
- CSA Type 3R, 4, 4X, and 12
- **Complies with**
 - NEMA Type 3R, 4, 4X, 12 and 13
 - JIC EGP-1-1967
 - IEC 60529, IP66

Construction

- Formed 12 gauge 304 or 316 stainless steel.
- Smooth, continuously welded seams without knockouts, cutouts or holes.
- Body stiffeners are provided in the larger enclosures for extra rigidity.
- Heavy duty stainless steel lifting eyebolts are provided with reinforcing support angles.
- Center post is removable for easy installation of the inner panel.
- Formed lip on door and top of enclosure opening exclude flowing liquids and contaminants.
- Continuously hinged doors may be removed by pulling the stainless steel hinge pin.
- Doors are secured with quarter turn latches.
- Provision for padlocking.
- 12" floor stands are welded to the enclosure.
- Seamless poured-in place gasket.
- Panel supports are provided for easy panel installation.
- Collar studs are provided for mounting inner panels.
- A bonding stud is provided on the door and a grounding stud is provided in the enclosure for each door.
- A literature pocket is provided.

Finish

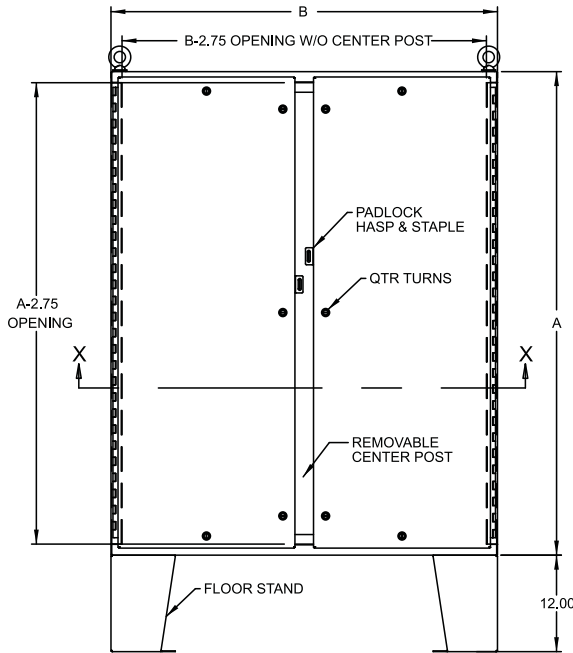
- Cover and enclosure are natural stainless steel with a smooth brushed finish.
- Removable inner panel is finished in white powder coating.

Accessories

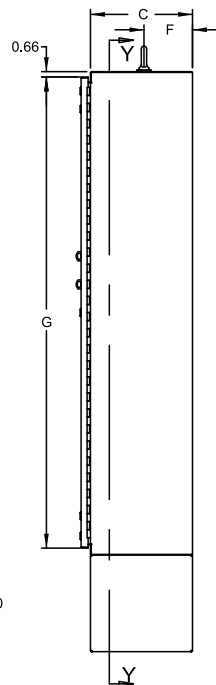
- Breather kits...see page **400-401**
- Door clamping hardware
...see page **429**
- Door stop kits...see page **453**
- Door support guide...see page **451**
- Drip shield kits...see page **451**
- Louvered ventilating plates
...see page **402**
- Quick release clamp...see page **429**
- Thermostats...see page **397**
- Window kits...see page **449**

1422 Series Stainless Steel Two Door Floor Mount - NEMA 4X

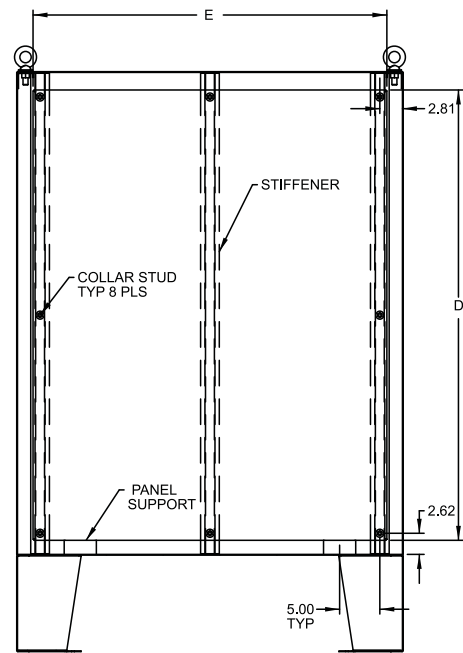
Quarter Turn Latches



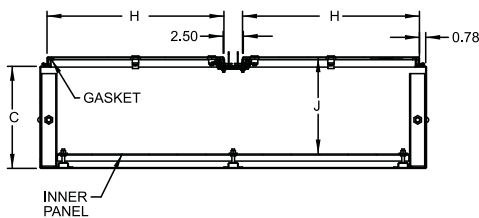
Front View



Side View



Section Y-Y



Section X-X

Corrosion Resistant

Floormount Enclosures

304 S.S. Part Number	316 S.S. Part Number	A	B	C	Body Gauge	Panel Gauge	Panel Size		D	E	F	G	H	J	Ship Wt. lbs.
1422N4SSB12FQT	1422N4S16B12FQT	60.13	48.06	12.69	12	10	56	44	6.3	58.59	22	11.87	491		
1422N4SSD12FQT	1422N4S16D12FQT	60.13	60.06	12.69	12	10	56	56	6.3	58.59	28	11.87	567		
1422N4SSE12FQT	1422N4S16E12FQT	72.13	60.06	12.69	12	10	68	56	6.3	70.59	28	11.87	645		
1422N4SSF12FQT	1422N4S16F12FQT	72.13	72.06	12.69	12	10	68	68	6.3	70.59	34	11.87	750		
1422N4SSF24FQT	1422N4S16F24FQT	72.13	72.06	24.69	12	10	68	68	12.3	70.59	34	23.87	945		

Technical references and CAD downloads available at www.hammondmfg.com

All dimensions in inches unless specified otherwise

Quality Products. Service Excellence.

HN4 Series Stainless Steel Two Door Floor Mount - NEMA 4X

Continuous Hinge, 3pt Handle



**Inner
Panel
Included**



Corrosion Resistant

Floormount Enclosures

Application

- Designed to house electrical, electronic, hydraulic or pneumatic controls and instruments.
- Provides protection where equipment may be hosed down or otherwise be very wet, or in specific applications where corrosion is a serious problem.

Standards

- UL 508 Type 3R, 4X, and 12
- CSA Type 3R, 4X, and 12
- **Complies with**
 - NEMA Type 3R, 4X, 12 and 13
 - IEC 60529, IP66

Construction

- Formed 12 gauge 304 or 316 stainless steel.
- Smooth, continuously welded seams without knockouts, cutouts or holes.
- Heavy duty stainless steel lifting eyebolts are provided with reinforcing support angles.
- Doors are supported with heavy gauge continuous hinges.
- New 3-pt padlocking door handle.
- Seamless poured-in place gasket.
- A grounding stud is provided in the enclosure and a bonding stud is provided on the door.
- Center post is removable for easy installation of the inner panel.
- 12" floor stands are welded to the enclosure.

Finish

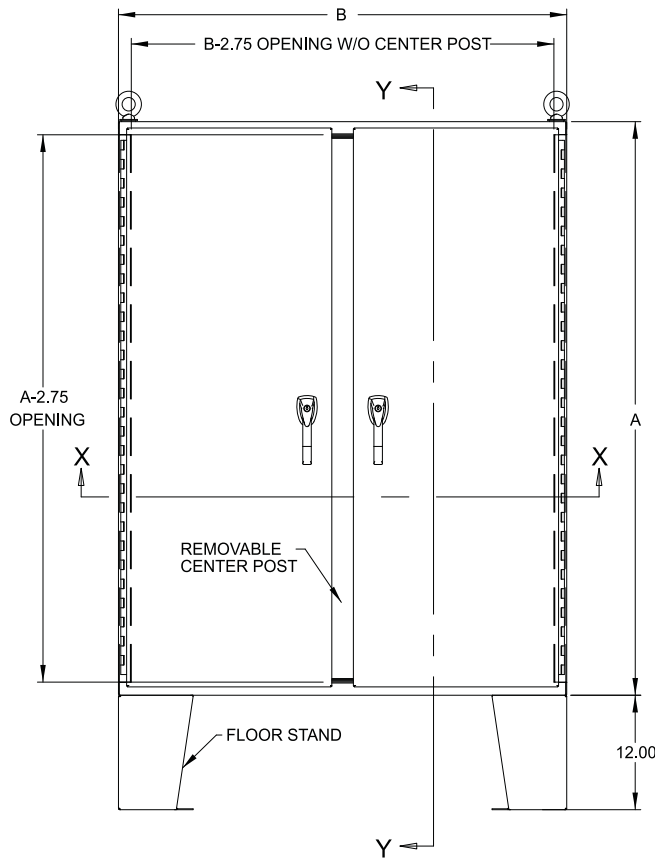
- Cover and enclosure are natural stainless steel with a smooth brushed finish.
- Removable inner panel is finished in white powder coating.

Accessories

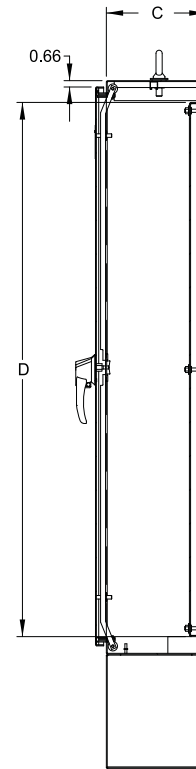
- Breather kits...see page **400-401**
- Door clamping hardware
...see page **429**
- Door stop kits...see page **453**
- Door support guide...see page **451**
- Drip shield kits...see page **451**
- Louvered ventilating plates
...see page **402**
- Thermostats...see page **397**
- Window kits...see page **449**

HN4 Series Stainless Steel Two Door Floor Mount - NEMA 4X

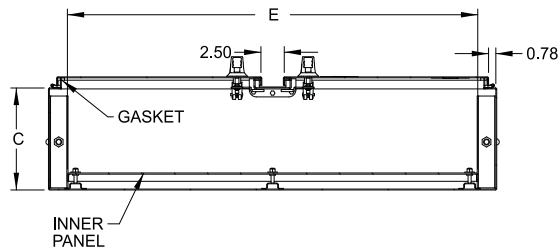
Continuous Hinge, 3pt Handle



Front View



Section Y-Y



Section X-X

Corrosion Resistant
Floormount Enclosures

304 S.S. Part Number	316 S.S. Part Number	Overall Dimensions			Inner Panel (Included)	
		A	B	C	D	E
HN4FM604812SS	HN4FM604812S16	60.13	48.06	12.69	56.00	44.00
HN4FM604818SS	HN4FM604818S16	60.13	48.06	18.69	56.00	44.00
HN4FM606012SS	HN4FM606012S16	60.13	60.06	12.69	56.00	56.00
HN4FM726012SS	HN4FM726012S16	72.13	60.06	12.69	68.00	56.00
HN4FM727212SS	HN4FM727212S16	72.13	72.06	12.69	68.00	68.00
HN4FM727224SS	HN4FM727224S16	72.13	72.06	24.69	68.00	68.00

Technical references and CAD downloads available at www.hammondmfg.com

All dimensions in inches unless specified otherwise

Quality Products. Service Excellence.

1418 Series Stainless Steel Freestanding Enclosures - NEMA 4X

Single Door



Panel
Sold
Separately



Corrosion Resistant Freestanding Enclosures

Application

- Designed to house electrical, electronic, hydraulic or pneumatic controls with provision for panel mounting or rack mounting of equipment.
- Provides protection where equipment may be hosed down or otherwise be very wet, or in specific applications where corrosion is a serious problem.
- A variety of inner panels, rack mounting rails and swing out frames are available to provide flexibility in mounting arrangements.

Standards

- UL 508 Type 3R, 4, 4X and 12
- CSA Type 3R, 4, 4X and 12
- **Complies with**
 - NEMA Type 3R, 4, 4X, 12 and 13
 - IEC 60529, IP66

Construction

- Formed 12 gauge 304 or 316 stainless steel.
- Smooth, continuously welded seams without knockouts, cutouts or holes.
- Heavy duty stainless steel lifting eyebolts are provided with reinforcing support angles.
- Doors are supported with heavy gauge continuous hinges.
- Doors are secured with heavy duty stainless steel clamps and padlocking hasp.
- Seamless poured-in place gasket.
- Mounting channels are welded on the inside of the enclosure for mounting of optional inner panels or rack equipment rails.
- A grounding stud is provided in the enclosure and a bonding stud is provided on the door.

Finish

- Cover and enclosure are natural stainless steel with a smooth brushed finish.
- Optional inner panels are finished in white powder paint.

Accessories

- Air conditioners...see page **349-367**
- Breather kits...see page **400-401**
- Door stop kits...see page **453**
- Door support guide...see page **451**
- Drip shield kits...see page **451**
- Filter fans...see page **371-384**
- Heaters...see page **393-396**
- Inner panels...see page **107**
- Light kit...see page **452**
- Panel rails...see page **107**
- Swing frames...see page **108**
- Thermostats...see page **397**
- Window kits...see page **449**

1418 Series Stainless Steel Freestanding Enclosures - NEMA 4X

Single Door, Quarter Turn Latches



Panel
Sold
Separately



Corrosion Resistant Freestanding Enclosures

Application

- Designed to house electrical, electronic, hydraulic or pneumatic controls with provision for panel mounting or rack mounting of equipment.
- Provides protection where equipment may be hosed down or otherwise be very wet, or in specific applications where corrosion is a serious problem.
- A variety of inner panels, rack mounting rails and swing out frames are available to provide flexibility in mounting arrangements.

Standards

- UL 508 Type 3R, 4, 4X and 12
- CSA Type 3R, 4, 4X and 12
- **Complies with**
 - NEMA Type 3R, 4, 4X, 12 and 13
 - IEC 60529, IP66

Construction

- Formed 12 gauge 304 or 316 stainless steel.
- Smooth, continuously welded seams without knockouts, cutouts or holes.
- Heavy duty stainless steel lifting eyebolts are provided with reinforcing support angles.
- Doors are supported with heavy gauge continuous hinges.
- Doors are secured with quarter turn latches and padlocking hasp.
- Seamless poured-in place gasket.
- Mounting channels are welded on the inside of the enclosure for mounting of optional inner panels or rack equipment rails.
- A grounding stud is provided in the enclosure and a bonding stud is provided on the door.

Finish

- Cover and enclosure are natural stainless steel with a smooth brushed finish.
- Optional inner panels are finished in white powder paint.

Accessories

- Air conditioners...see page **349-367**
- Breather kits...see page **400-401**
- Door stop kits...see page **453**
- Door support guide...see page **451**
- Drip shield kits...see page **451**
- Filter fans...see page **371-384**
- Heaters...see page **393-396**
- Inner panels...see page **107**
- Light kit...see page **452**
- Panel rails...see page **107**
- Swing frames...see page **108**
- Thermostats...see page **397**
- Window kits...see page **449**

HN4 Series Stainless Steel Freestanding Enclosures - NEMA 4X

Single Door, 3pt Handle



Panel
Sold
Separately



Corrosion Resistant Freestanding Enclosures

Application

- Designed to house electrical, electronic, hydraulic or pneumatic controls with provision for panel mounting or rack mounting of equipment.
- Provides protection where equipment may be hosed down or otherwise be very wet, or in specific applications where corrosion is a serious problem.
- A variety of inner panels, rack mounting rails and swing out frames are available to provide flexibility in mounting arrangements.

Standards

- UL 508 Type 3R, 4, 4X and 12
- CSA Type 3R, 4, 4X and 12
- **Complies with**
 - NEMA Type 3R, 4, 4X, 12 and 13
 - IEC 60529, IP66

Construction

- Formed 12 gauge steel 304 stainless steel.
- Smooth, continuously welded seams without knockouts, cutouts or holes.
- Heavy duty stainless steel lifting eyebolts are provided with reinforcing support angles.
- Doors are supported with heavy gauge continuous hinges.
- New 3-pt padlocking door handle.
- Seamless poured-in place gasket.
- A grounding stud is provided in the enclosure and a bonding stud is provided on the door.
- Mounting channels are welded on the inside of the enclosure for mounting of optional inner panels or rack equipment rails.

Finish

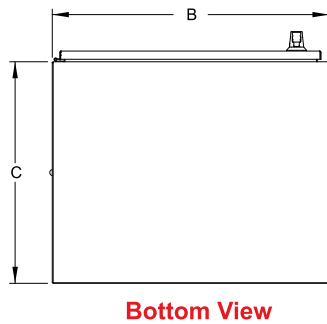
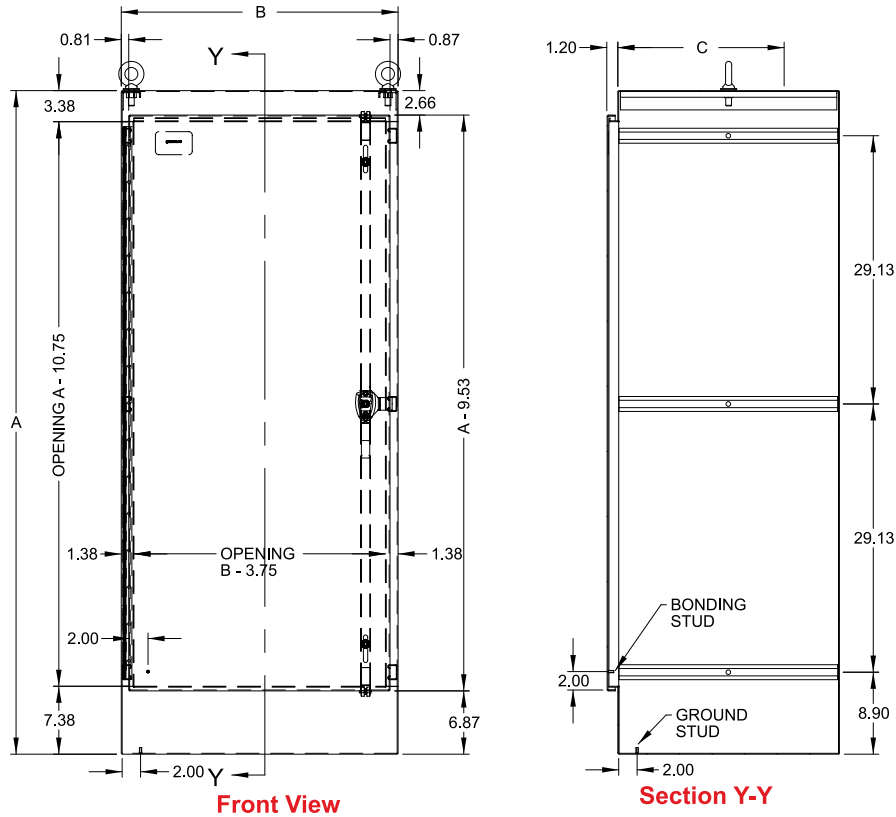
- Cover and enclosure are natural stainless steel with a smooth brushed finish.
- Optional inner panels are finished in white powder paint.

Accessories

- Air conditioners...see page **349-367**
- Breather kits...see page **400-401**
- Door stop kits...see page **453**
- Door support guide...see page **451**
- Drip shield kits...see page **451**
- Filter fans...see page **371-384**
- Heaters...see page **393-396**
- Inner panels...see page **107**
- Light kit...see page **452**
- Panel rails...see page **107**
- Swing frames...see page **108**
- Thermostats...see page **397**
- Window kits...see page **449**

HN4 Series Stainless Steel Freestanding Enclosures - NEMA 4X

Single Door, 3pt Handle



Part No.	A	B	C	Optional Full Panel
HN4FS602418SS	60.06	24.06	18.06	60TWW
HN4FS722418SS	72.06	24.06	18.06	72WW
HN4FS723018SS	72.06	30.06	18.06	72XFW
HN4FS723618SS	72.06	36.06	18.06	72YFW
HN4FS902420SS	90.06	24.06	20.06	90YWW
HN4FS903620SS	90.06	36.06	20.06	90YFW
HN4FS603624SS	60.06	36.06	24.06	60TYFW
HN4FS722424SS	72.06	24.06	24.06	72WW
HN4FS723024SS	72.06	30.06	24.06	72XFW
HN4FS723624SS	72.06	36.06	24.06	72YFW
HN4FS903624SS	90.06	36.06	24.06	90YFW
HN4FS723630SS	72.06	36.06	30.06	72YFW
HN4FS723636SS	72.06	36.06	36.06	72YFW
HN4FS903636SS	90.06	36.06	36.06	90YFW

Technical references and CAD downloads available at www.hammondmfg.com

All dimensions in inches unless specified otherwise

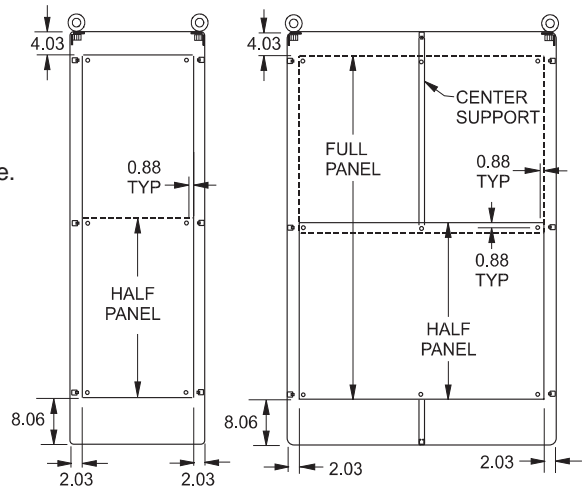
Quality Products. Service Excellence.

1418 Series Freestanding Enclosures - NEMA 4, 4X

Accessories

Inner Panels

- Formed from 10 gauge or 12 gauge steel.
- Width panels are available in full or half height.
- Depth panels are available in full height only.
- Depth and width panels are provided with all mounting hardware.
- Half panel can be mounted in the top or bottom half of the enclosure.
- Finished in white.



Front View
Single Door

Front View
Double Door

Single Door Width Panels

Part No.	Description	Enclosure	Panel Size
60TWF	Full Panel	60 x 24	48.00 x 20
60TWH	Half Panel		24.87 x 20
72TWF	Full Panel	72 x 24	60.00 x 20
72TWH	Half Panel		30.87 x 20
90TWF	Full Panel	90 x 24	78.00 x 20
90TWH	Half Panel		39.87 x 20
72XFW	Full Panel	72 x 30	60.00 x 26
72XHW	Half Panel		30.87 x 26
60TYF	Full Panel	60 x 36	48.00 x 32
60TYH	Half Panel		24.87 x 32
72YFW	Full Panel	72 x 36	60.00 x 32
72YHW	Half Panel		30.87 x 32
90YFW	Full Panel	90 x 36	78.00 x 32
90YHW	Half Panel		39.87 x 32

Double Door Width Panels

Part No.	Description	Enclosure	Panel Size
60AWF	Full Panel	60 x 48	48.00 x 44
60AWH	Half Panel		24.88 x 44
72ZWF	Full Panel	72 x 48	60.00 x 44
72ZWH	Half Panel		30.88 x 44
72ZXF	Full Panel	72 x 60	60.00 x 56
72ZXH	Half Panel		30.88 x 56
72ZYF	Full Panel	72 x 72	60.00 x 68
72ZYH	Half Panel		30.88 x 68
90BWF	Full Panel	90 x 48	78.00 x 44
90BWH	Half Panel		39.88 x 44
90BYF	Full Panel	90 x 72	78.00 x 68
90BYH	Half Panel		39.88 x 68

Depth Panels

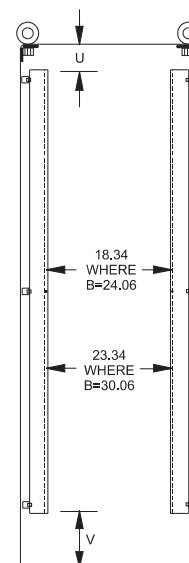
Part No.	Encl.			
	Height	Min Depth	Panel W	Panel H
60FD14	60	18	14	48
72FD9	72	18	9	60
72FD14	72	18	14	60
72FD20	72	24	20	60
72FD26	72	36	26	60
90FD9	90	18	9	78
90FD14	90	18	14	78
90FD20	90	24	20	78
90FD26	90	36	26	78

Side Mounted Panels for Single and Double Door Enclosures

Panel Rails

- Provides 19" or 24" mounting capability.
- Sold in **pairs**.
- Formed from 10 gauge steel.
- Drilled and tapped 10-32 to EIA spacing of 0.5" - 0.63" - 0.63" - 0.5".
- Finished in white.

Part No.	Panel Description	Enclosure	Panel Width	Panel Height	U	V
1418WFHP	Full Height	72 x 24	19	61.25	3.66	7.66
1418WHHP	Half Height			31.50	3.97	7.67
1418XFHP	Full Height	72 x 30	24	61.25	3.66	7.66
1418XHHP	Half Height			31.50	3.97	7.67



Technical references and CAD downloads available at www.hammondmfg.com

All dimensions in inches unless specified otherwise

1418 Series Freestanding Enclosures - NEMA 4, 4X

Accessories

Swing Out Frames For 19" Rack Mounting

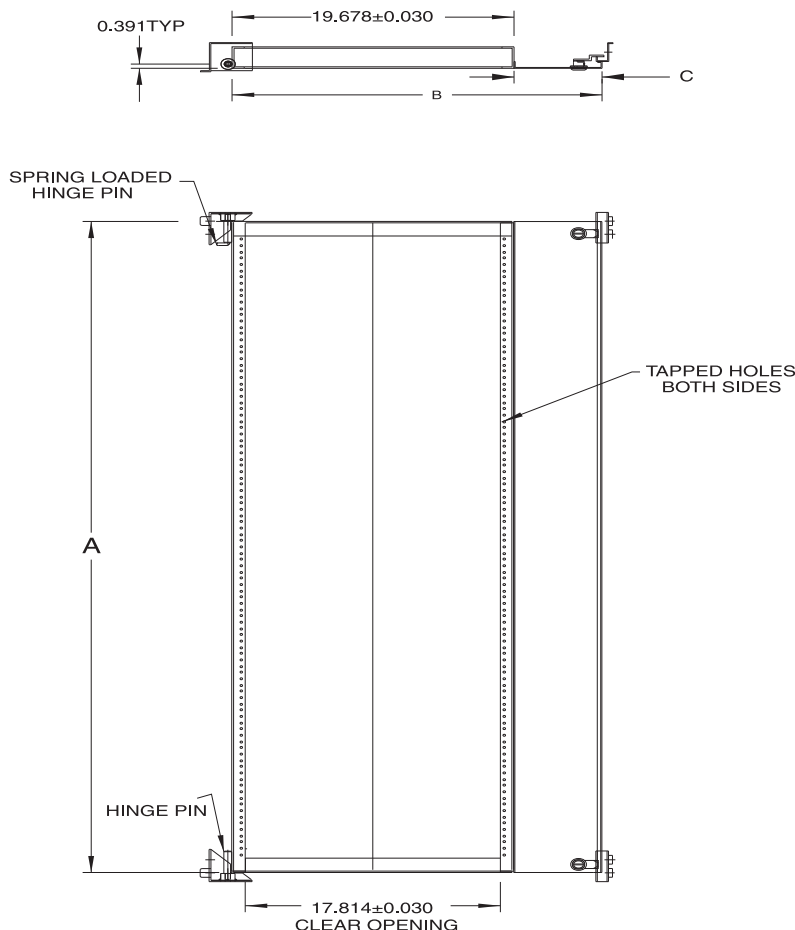
Formed from 10 gauge steel, frames are drilled and tapped to EIA requirements for mounting standard 19" rack accessories.

- The swing frame pivots on 0.5" pins within the enclosure for easy access to the rear of rack mounted equipment.
- The frame positions at any depth within the enclosure and is fastened in the closed position with quarter turn fasteners.
- Swing frames may be mounted in 30" and 36" wide enclosures.
- Finished in black.



Part No.	A	B	C	D	E	Enclosure Height	Width Single Door	Width Double Door	Center Support
1418SFYY	87.86	33.72	4.28	78.5	75.31	90	36	72	1418 BCS
1418SFY	69.86	33.72	4.28	60.5	57.81	72	36	72	1418 ZCS
1418SFX	69.86	27.72	4.28	60.5	57.81	72	30	60	1418 ZCS

Note: When using a swing out frame on a double door enclosure, a Center Panel Support must also be used and ordered separately...see previous page.



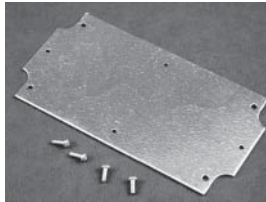
Technical references and CAD downloads available at www.hammondmfg.com

All dimensions in inches unless specified otherwise

Quality Products. Service Excellence.

Polycarbonate Enclosure - NEMA 4X

1554 Series



Optional Inner Panel



Feet Kit (Part No. 1554FT)



Corrosion Resistant

Junction Boxes

Application

- Designed for harsh industrial environments or outdoor application controls, security or wireless.

Standards

- UL/cUL 508 Type 4, 4X, 12 and 13
- **Complies with**
 - NEMA 4, 4X, 12 and 13
 - IEC 60529 IP66
 - UL94 VO

Construction

- Electronic instrument enclosures, designed for mounting printed circuit boards or DIN rail mounted components.
- The polycarbonate material carries a UL flammability rating of UL94 VO and is suitable for outdoor use.
- Lid and mounting holes are located outside of the gasket seal.
- Lid is secured with self capturing M4 stainless steel machine screws (included), threaded into integral stainless steel bushings (for repetitive assembly & disassembly).
- Heavy duty 16 gauge galvanized steel panels available (see chart)
- All stainless steel hardware to avoid corrosion caused by dissimilar metals.
- Gasket is pre-formed using high temperature U.L. listed - silicone rubber gasket material.
- Gasketed lid with two piece "tongue & groove" construction provides protection against access of oil, dust and water.
- Internal DIN rail mounting tabs molded in all except the 1554CGY & 1554C2GY
- Threaded (M3) integral brass inserts & standoffs designed for M3.5 or #6 self tapping screws for P.C. board or inner panel mounting in all but the smallest size (1554BGY & 1554B2GY)
- Vertical P.C. card guides (for 1.5 mm thick P.C. boards) are molded in all but the smallest size (1554BGY & 1554B2GY)

Finish

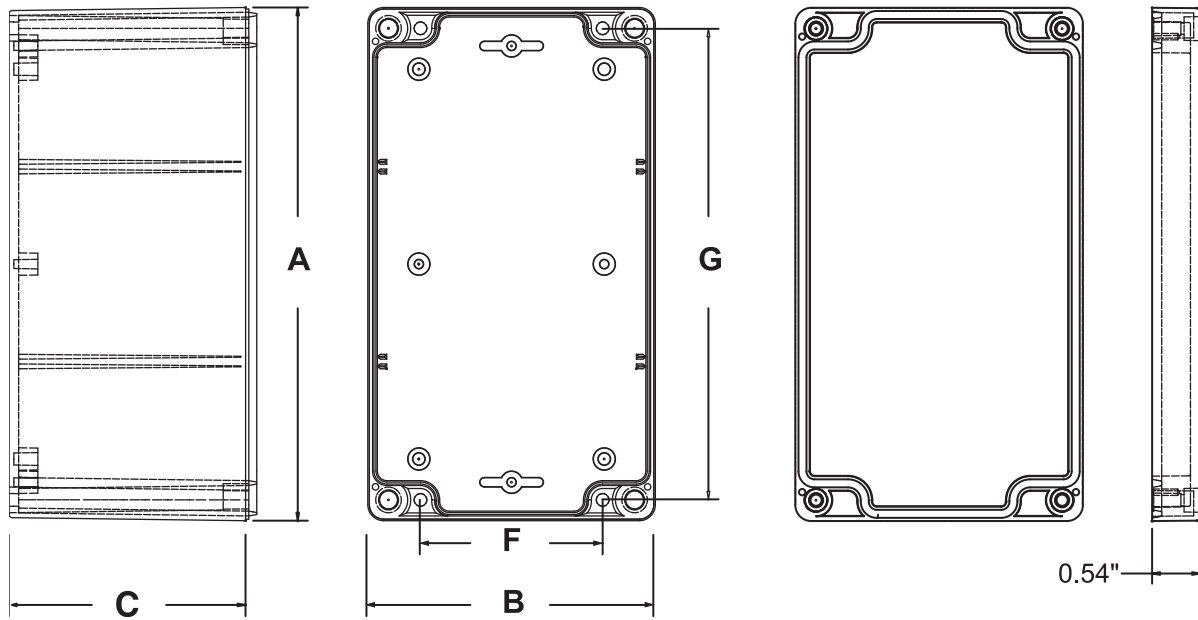
- Color is light gray (RAL 7035)

Optional Inner Panel

- Heavy duty panels for mounting components.
- Galvanized 16 ga. steel.
- Includes mounting hardware.

Polycarbonate Enclosure - NEMA 4X

1554 Series


Body View
Lid View

Solid Cover Part No.	Clear Cover Part No.	Smoked Cover Part No.	Units	Dimensions						Optional Inner Panel Part No.	Dimensions	
				A	B	C	F	G	Length		Width	
1554B2GY	1554B2GYCL	1554B2GYSL	inch	2.6	2.6	0.98	2.05	1.26	1554BPL	2.2	2.2	
			mm	65	65	25	52	32		56	59	
1554E2GY	1554E2GYCL	1554E2GYSL	inch	3.5	3.5	1.77	2.24	2.24	1554EPL	3.1	3.1	
			mm	90	90	45	57	57		79	79	
1554C2GY	1554C2GYCL	1554C2GYSL	inch	4.7	2.6	0.98	2.05	3.43	1554CPL	4.4	2.1	
			mm	120	65	25	52	87		112	53	
1554D2GY	1554D2GYCL	1554D2GYSL	inch	4.7	2.6	1.77	2.05	3.43	1554CPL	4.4	2.1	
			mm	120	65	45	52	87		112	53	
1554F2GY	1554F2GYCL	1554F2GYSL	inch	4.7	3.5	1.77	2.68	4.21	1554FPL	4.3	3.1	
			mm	120	90	45	68	107		109	79	
1554G2GY	1554G2GYCL	1554G2GYSL	inch	4.7	3.5	2.56	4.21	4.21	1554FPL	4.3	3.1	
			mm	120	90	65	107	107		109	79	
1554N2GY	1554N2GYCL	1554N2GYSL	inch	4.7	4.7	1.77	3.43	4.21	1554NPL	4.25	4.2	
			mm	120	120	45	87	107		108	107	
1554P2GY	1554P2GYCL	1554P2GYSL	inch	4.7	4.7	2.56	3.43	4.21	1554NPL	4.25	4.2	
			mm	120	120	65	87	107		108	107	
1554J2GY	1554J2GYCL	1554J2GYSL	inch	6.3	3.5	1.77	2.24	5.79	1554JPL	5.8	3	
			mm	160	90	45	57	147		147	76	
1554K2GY	1554K2GYCL	1554K2GYSL	inch	6.3	3.5	2.95	2.24	5.79	1554JPL	5.8	3	
			mm	160	90	75	57	147		147	76	
1554R2GY	1554R2GYCL	1554R2GYSL	inch	6.3	6.3	1.77	5.00	5.79	1554RPL	5.94	5.8	
			mm	160	160	45	127	147		151	147	
1554S2GY	1554S2GYCL	1554S2GYSL	inch	6.3	6.3	2.95	5.00	5.79	1554RPL	5.94	5.8	
			mm	160	160	75	127	147		151	147	
1554H2GY	1554H2GYCL	1554H2GYSL	inch	7.1	4.7	1.77	3.43	6.58	1554HPL	6.6	4.2	
			mm	180	120	45	87	167		168	107	
1554T2GY	1554T2GYCL	1554T2GYSL	inch	7.1	4.7	2.95	3.43	6.58	1554HPL	6.6	4.2	
			mm	180	120	75	87	167		168	107	
1554U2GY	1554U2GYCL	1554U2GYSL	inch	7.9	4.7	2.95	3.43	7.37	1554UPL	7.6	4.2	
			mm	200	120	75	87	187		193	107	
1554V2GY	1554V2GYCL	1554V2GYSL	inch	9.5	6.3	2.95	5.00	8.93	1554VPL	9.1	5.7	
			mm	240	160	75	127	227		231	145	

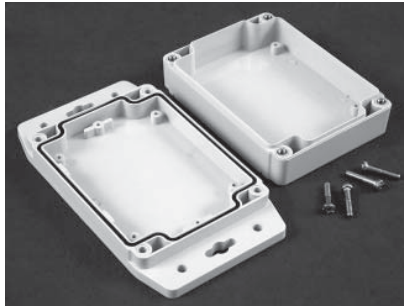
 Technical references and CAD downloads available at www.hammondmfg.com

All dimensions in inches unless specified otherwise

Quality Products. Service Excellence.

Polycarbonate Enclosure - NEMA 4X

1555F Series



Corrosion Resistant

Junction Boxes

Application

- Designed for harsh industrial environments or outdoor application controls, security or wireless.

Standards

- UL/cUL 508 Type 4, 4X, 12 and 13
- **Complies with**
 - NEMA 4, 4X, 12 and 13
 - IEC 60529 IP66
 - UL94 VO

Construction

- Electronic instrument enclosures, designed for mounting printed circuit boards or DIN rail mounted components.
- The polycarbonate material carries a UL flammability rating of UL94 VO and is suitable for outdoor use.
- Lid and mounting holes are located outside of the gasket seal.
- Lid is secured with self capturing M4 stainless steel machine screws (included), threaded into integral stainless steel bushings (for repetitive assembly & disassembly).
- Heavy duty 16 gauge galvanized steel panels available (see chart)
- All stainless steel hardware to avoid corrosion caused by dissimilar metals.
- Gasket is pre-formed using high temperature U.L. listed - silicone rubber gasket material.
- Gasketed lid with two piece "tongue & groove" construction provides protection against access of oil, dust and water.
- Internal DIN rail mounting tabs molded in all except the 1555C2F22GY & 1555C2F42GY
- Threaded (M3) integral brass inserts & standoffs designed for 1/4" or #6 self tapping screws for P.C. board or inner panel mounting in all but the smallest size.

Finish

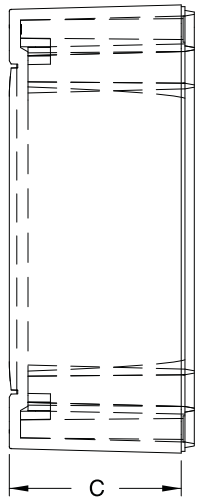
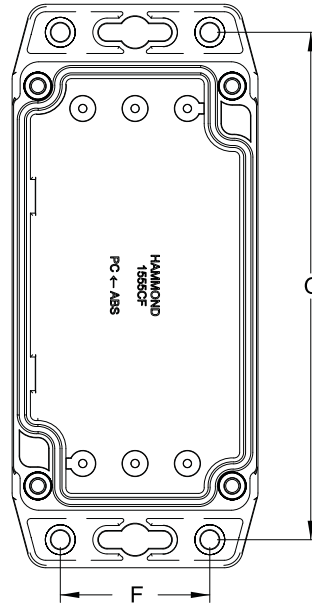
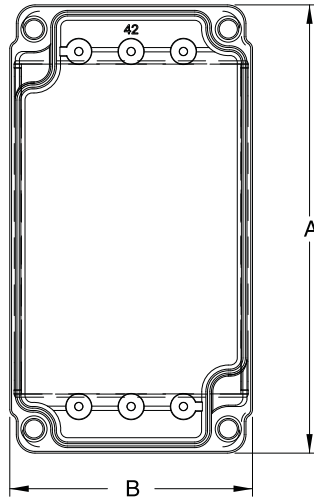
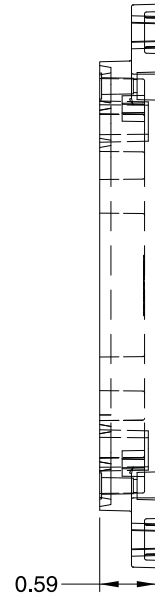
- Color is light gray (RAL 7035)

Optional Inner Panel

- Heavy duty panels for mounting components.
- Galvanized 16 ga. steel.
- Includes mounting hardware.

Polycarbonate Enclosure - NEMA 4X

1555F Series


Body View

Flanged View


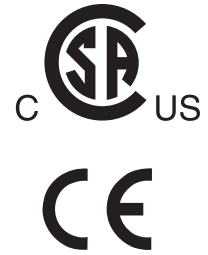
Corrosion Resistant

Junction Boxes

Solid Cover Part No.	Units	Dimensions					Optional Inner Panel Part No.	Dimensions	
		A	B	C	F	G		Length	Width
1555C2F22GY	inch	4.72	2.59	1.06	1.57	5.35	1555CFPL	4.25	2.07
	mm	120	65	27	40	135		108	52
1555C2F42GY	inch	4.72	2.59	1.85	1.57	5.35	1555CFPL	4.25	2.07
	mm	120	65	47	40	135		108	52
1555F2F17GY	inch	4.72	3.57	0.87	1.99	5.54	1555FFPL	4.25	2.99
	mm	120	91	22	50	140		108	76
1555F2F42GY	inch	4.72	3.57	1.85	1.99	5.54	1555FFPL	4.25	2.99
	mm	120	91	47	50	140		108	76
1555N2F17GY	inch	4.72	4.72	0.87	2.75	5.54	1555NFPL	4.25	4.25
	mm	120	120	22	70	140		108	108
1555N2F42GY	inch	4.72	4.72	1.85	2.75	5.54	1555NFPL	4.25	4.25
	mm	120	120	47	70	140		108	108
1555J2F17GY	inch	6.29	3.57	0.87	1.99	7.12	1555JFPL	5.82	2.99
	mm	160	91	22	50	180		148	76
1555J2F42GY	inch	6.29	3.57	1.85	1.99	7.12	1555JFPL	5.82	2.99
	mm	160	91	47	50	180		148	76
1555H2F17GY	inch	7.12	4.72	0.87	2.75	7.87	1555HFPL	6.61	4.25
	mm	180	120	22	70	200		168	108
1555H2F42GY	inch	7.12	4.72	1.85	2.75	7.87	1555HFPL	6.61	4.25
	mm	180	120	47	70	200		168	108

Polyester Modular Enclosures - NEMA 4X

R130 Series Enclosures


Corrosion Resistant
Junction Boxes

Application

- Designed for use as instrument enclosures, electrical junction boxes or terminal wiring enclosures.
- Provide outstanding protection against dust, oil and pressurized water.
- Impervious to atmospheric and marine corrosion.

Standards

- CSA Type 4, 4X
- **Complies with**
 - NEMA 1, 2, 3, 3R, 4, 4X, 5, 12, 13
 - IEC 60529, IP66
- VO Flammability Rating

Construction

- Two piece molded fiberglass reinforced polyester construction.
- Captive polyfibre cover screws are provided with a standard slot head.
- Cover screws fasten into pre-threaded holes.
- The threaded cover screw holes also provide single channel access to rear mounting positions.
- Recessed neoprene gasket with tongue and groove construction is oil and petroleum resistant.
- Threaded stainless steel inserts provide for internal mounting.
- Spring loaded stainless steel hinge pins are standard, allowing for quick lid removal.

Finish

- Light beige RAL 7032

Accessories

- External mounting feet...*see next page*
- Inner panels...*see next page*
- Cross rails...*see next page*
- Bonded acrylic glass windows are available on special request.

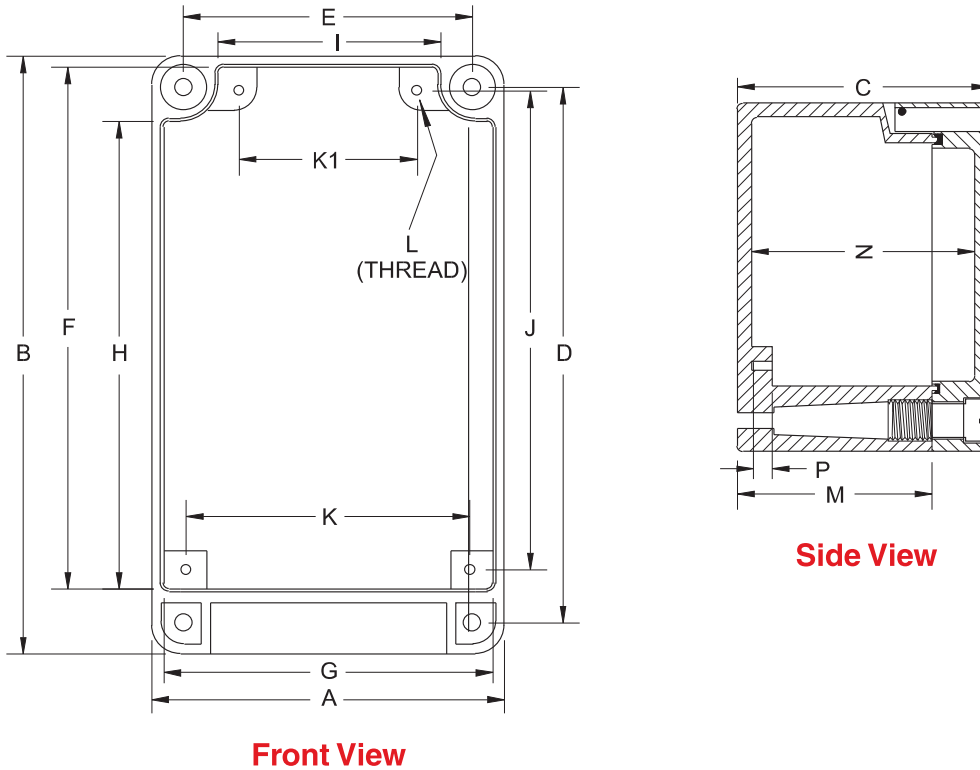
Part No.	Series	Units	Width		Length		Height											
			A	B	C	D	E	F	G	H	I	J	K	K1	L	M	N	P
R130-120-000	PD-120	inch	4.72	5.51	3.94	4.65	3.86	4.33	4.25	3.62	2.81	3.82	3.74	2.28	2.76	3.62	0.28	
		mm	120	140	100	118	98	110	108	92	71.5	97	95	58	M6	70	92	7
R130-122-000	PD-122	inch	4.72	7.87	3.94	7.01	3.86	6.69	4.25	5.98	2.81	6.18	3.74	2.28	2.76	3.62	0.28	
		mm	120	200	100	178	98	170	108	152	71.5	157	95	58	M6	70	92	7
R130-124-000	PD-124	inch	4.72	10.24	3.94	9.37	3.86	9.06	4.25	8.35	2.81	8.54	3.74	2.28	2.76	3.62	0.28	
		mm	120	260	100	238	98	230	108	212	71.5	217	95	58	M6	70	92	7
R130-160-000	PD-160	inch	6.30	7.09	3.94	6.22	5.43	5.91	5.83	5.20	4.39	5.39	5.31	3.86	2.76	3.62	0.28	
		mm	160	180	100	158	138	150	148	132	111.5	137	135	98	M6	70	92	7
R130-162-000	PD-162	inch	6.30	10.24	3.94	9.37	5.43	9.06	5.83	8.35	4.39	8.54	5.31	3.86	2.76	3.62	0.28	
		mm	160	260	100	238	138	230	148	212	111.5	217	135	98	M6	70	92	7
R130-164-000	PD-164	inch	6.30	13.39	3.94	12.52	5.43	12.20	5.83	11.50	4.39	11.69	5.31	3.86	2.76	3.62	0.28	
		mm	160	340	100	318	138	310	148	292	111.5	297	135	98	M6	70	92	7
R130-200-000	PD-200	inch	7.87	8.66	4.72	7.80	7.01	7.46	7.38	6.73	5.94	6.97	6.89	5.43	3.54	4.41	0.28	
		mm	200	220	120	198	178	189.5	187.5	171	151	177	175	138	M6	90	112	7
R130-202-000	PD-202	inch	7.87	12.60	4.72	11.73	7.01	11.40	7.38	10.67	5.94	10.91	6.89	5.43	3.54	4.41	0.28	
		mm	200	320	120	298	178	289.5	187.5	271	151	277	175	138	M6	90	112	7

 Technical references and CAD downloads available at www.hammondmfg.com

All dimensions in inches unless specified otherwise

Polyester Modular Enclosures - NEMA 4X

R130 Series Enclosures



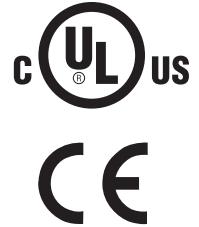
Corrosion Resistant Junction Boxes

Accessories

Part No.	External Feet (Set of 4) Stainless Steel	Inner Panel (1.5 mm) Steel, Zinc Plated	Cross Rail (Pair) (Low Bottom Part)
R130-120-000	R501-000-001	R530-120-000	R531-120-000
R130-122-000	R501-000-001	R530-122-000	R531-120-000
R130-124-000	R501-000-001	R530-124-000	R531-120-000
R130-160-000	R501-000-001	R530-160-000	R531-160-000
R130-162-000	R501-000-001	R530-162-000	R531-160-000
R130-164-000	R501-000-001	R530-164-000	R531-160-000
R130-200-000	R501-000-001	R530-200-000	R531-200-000
R130-202-000	R501-000-001	R530-202-000	R531-200-000

Polyester Enclosure - NEMA 4X

1590ZGRP Series



Corrosion Resistant Junction Boxes

Application

- Designed for use as instrument enclosures, electrical junction boxes or terminal wiring enclosures.
- Provide outstanding protection against dust, oil and pressurized water.
- Impervious to atmospheric and marine corrosion.
- Ideal in applications with high temperatures or highly corrosive environments.

Standard

- UL/cUL 508 Type 1, 2, 3, 4, 4X, 12 & 13

Complies with

- NEMA 1, 2, 3, 4, 4X, 12, 13
- IEC 60529, IP66

Construction

- Two piece molded fiberglass reinforced polyester construction.
- Captive stainless steel cover screws are provided with a standard slot head.
- Cover screws fasten into pre-threaded holes.
- The threaded cover screw holes also provide single channel access to rear mounting positions.
- Recessed neoprene gasket with tongue and groove construction is oil and petroleum resistant.
- Threaded stainless steel inserts provide for internal mounting.

Finish

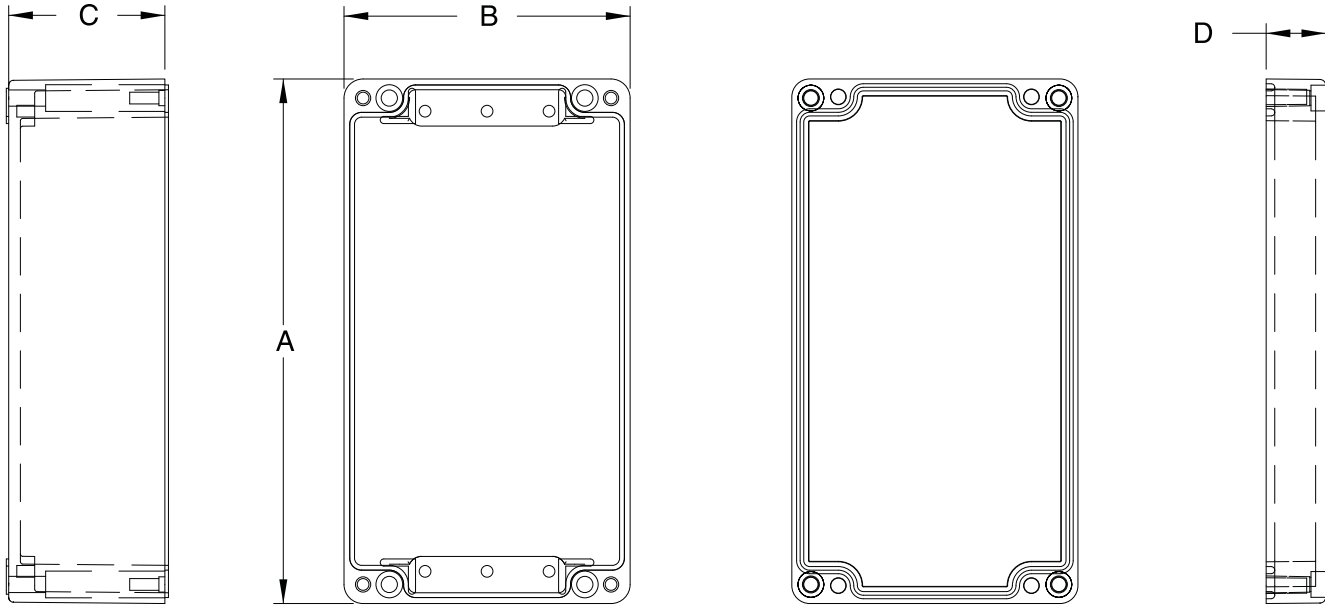
- Grey RAL 7000

Accessories

- Galvanized Steel Inner panels...see next page

Polyester Enclosure - NEMA 4X

1590ZGRP Series



Body View

Lid View

Corrosion Resistant

Junction Boxes

Part Number	Units	Dimensions				Optional Inner Panel Part Number
		A	B	C	D	
1590ZGRP081	inch	3.15	2.95	1.57	0.59	1590ZGRP081PL
	mm	80	75	40	15	
1590ZGRP082	inch	4.33	2.95	1.57	0.59	1590ZGRP082PL
	mm	110	75	40	15	
1590ZGRP083	inch	6.30	2.95	1.57	0.59	1590ZGRP083PL
	mm	160	75	40	15	
1590ZGRP121	inch	4.80	4.72	2.56	0.98	1590ZGRP121PL
	mm	122	120	65	25	
1590ZGRP123	inch	8.66	4.72	2.76	0.79	1590ZGRP123PL
	mm	220	120	70	20	
1590ZGRP131	inch	7.48	2.95	1.57	0.59	1590ZGRP131PL
	mm	190	75	40	15	
1590ZGRP161	inch	6.30	6.30	2.76	0.79	1590ZGRP161PL
	mm	160	160	70	20	
1590ZGRP162	inch	10.24	6.30	2.76	0.79	1590ZGRP162PL
	mm	260	160	70	20	
1590ZGRP233	inch	9.84	7.87	3.74	0.98	1590ZGRP233PL
	mm	250	200	95	25	
1590ZGRP234	inch	10.04	9.84	3.74	0.98	1590ZGRP234PL
	mm	255	250	95	25	
1590ZGRP235	inch	10.04	9.84	3.74	2.56	1590ZGRP234PL
	mm	255	250	95	65	
1590ZGRP243	inch	15.75	9.84	3.74	0.98	1590ZGRP243PL
	mm	400	250	95	25	
1590ZGRP263	inch	23.62	9.84	3.74	0.98	1590ZGRP263PL
	mm	600	250	95	25	

Polyester Modular Enclosures - NEMA 4X

PJ Series - Lift-Off and Hinged Screw Cover



Panel
Sold
Separately



Corrosion Resistant Junction Boxes

Application

- Designed for use as instrument enclosures, electric, hydraulic or pneumatic control housings, electrical junction boxes or terminal wiring enclosures.
- Provides outstanding insulation and protection where equipment may be hosed down or be very wet.
- Ideal in applications with high temperatures or highly corrosive environments.

Standards

- UL 508 Type 1, 2, 3, 4, 4X, 12 and 13
- UL 508 Type 6P (see table)
- CSA Type 1, 2, 3, 4, 4X, 12 and 13
- CSA Type 6P (see table)
- **Complies with**
 - NEMA Type 1, 2, 3, 4, 4X, 12 and 13
 - IEC 60529, IP66

Construction

- Molded fiberglass polyester enclosure with matching cover is easily punched, cut, or drilled.
- Enhanced UV inhibitors protect against outdoor weathering.
- Standard JIC sizes under 18" x 16".
- 10-32 threaded brass inserts are provided for optional inner panel or terminal kit mounting. Mounting hardware included.
- Cover is fastened with captive stainless steel screws in threaded brass inserts.
- Captive oil resistant gasket provides a positive seal.
- Threaded brass inserts are provided for mounting feet to the rear of the enclosure.
- Stainless steel mounting brackets and hardware are provided for mounting feet to the rear of the enclosure.
- Operating temperatures between 130°C and -40°C (266°F to -40°F).
- Impact index of 6.78J (5 ft/lb).
- For corrosion resistance information, please refer to table in the Technical Information section.

Finish

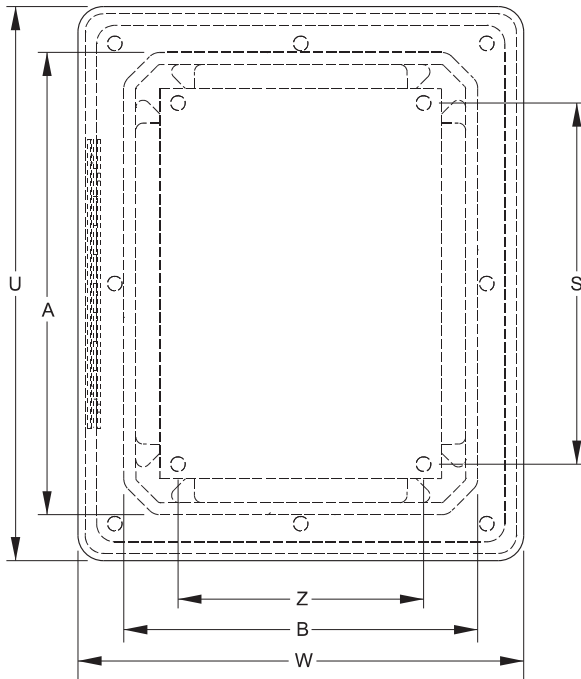
- Fiberglass polyester material has a gray finish.
- Optional inner panels are available in white powder coated finished steel, unfinished aluminum, or Fiberglass.

Accessories

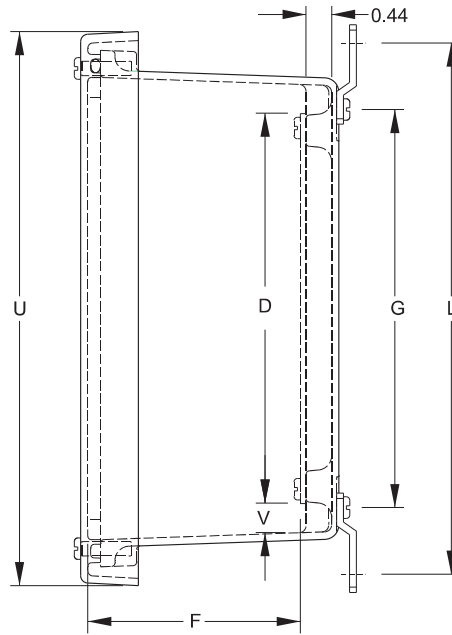
- Painted steel inner panels
...see page **138**
- PJ/ PJU swing panel...see page **138**
- Unfinished aluminum inner panels...see page **138**
- Fiberglass inner panels
...see page **138**
- Terminal kit assemblies
...see page **441**

Polyester Modular Enclosures - NEMA 4X

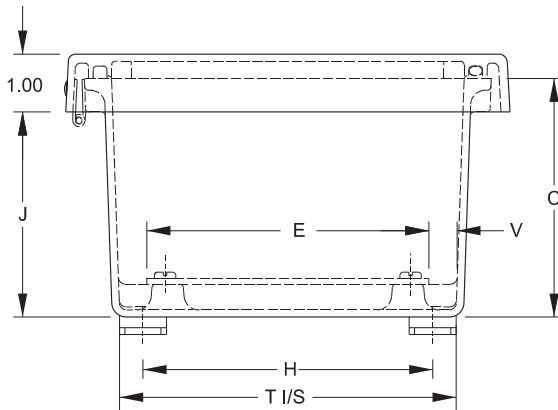
PJ Series - Lift-Off and Hinged Screw Cover



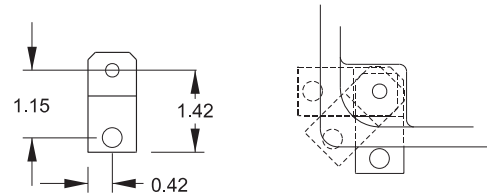
Front View
Hinged Screw Cover



Side View



End View



Optional Mounting Feet Locations

Thermal Index
130°C to -40°C (266°F to -40°F)

Impact Index
6.78J (5 ft/lb)

Corrosion Resistant Junction Boxes

Lift-Off Cover Part No.	Hinged Cover Part No.	Enclosure Dimensions			Panel Dimensions			Centers					Cover Dimensions		Opt Steel Panel Part No. ¹	Ship Wt. Lbs.			
		A	B	C	D	E	F	G	H	J	S	Z	L	T			V	U	W
PJ664 ²	PJ664H	6.10	6.10	4.13	4.88	4.88	3.76	5.01	5.01	3.52	4.25	4.25	7.32	5.83	0.49	7.69	7.69	14R0505	4
PJ864 ²	PJ864H	8.00	6.12	4.13	6.75	4.88	3.68	6.89	5.01	3.47	6.25	4.25	9.19	5.85	0.50	9.59	7.71	14R0705	4
PJ1084 ²	PJ1084H	10.13	8.26	4.13	8.75	6.88	3.68	8.89	7.01	3.47	8.25	6.25	11.19	7.85	0.50	11.77	9.90	14R0907	6
PJ1086 ²	PJ1086H	10.13	8.26	6.13	8.75	6.88	5.68	8.89	7.01	5.47	8.25	6.25	11.19	7.85	0.50	11.77	9.90	14R0907	6
PJ12106 ²	PJ12106H	12.13	10.26	6.13	10.75	8.88	5.68	10.89	9.01	5.47	10.25	8.25	13.19	9.85	0.50	13.77	11.90	14R1109	8
PJ14126 ²	PJ14126H	14.13	12.26	6.13	12.75	10.88	5.68	12.89	11.01	5.47	12.25	10.25	15.19	11.85	0.50	15.73	13.85	14R1311	11
PJ16148	PJ16148H	16.27	14.40	8.13	14.75	12.88	7.68	14.89	13.01	7.47	14.25	12.25	17.19	13.71	0.50	17.87	15.99	14R1513	12
PJ18168	PJ18168H	18.40	16.40	8.13	16.88	14.88	7.68	16.97	14.97	7.47	16.25	14.25	19.28	15.72	0.50	20.00	18.00	P1868	17
PJ20168	PJ20168H	20.00	16.00	8.13	18.44	14.44	7.68	18.54	14.54	7.47	17.81	13.81	20.84	15.31	0.52	21.59	17.59	P2068	19

¹For aluminum and fiberglass panels...see page 138.

²Type 6P

Polyester Modular Enclosures - NEMA 4X

PJ Series - Snap & Twist Latch Hinged Cover



Twist Latch Detail



Snap Latch Detail

**Panel
Sold
Separately**



Corrosion Resistant Junction Boxes

Application

- Designed for use as instrument enclosures, electric, hydraulic or pneumatic control housings, electrical junction boxes or terminal wiring enclosures.
- Provides outstanding insulation and protection where equipment may be hosed down or be very wet.
- Ideal in applications with high temperatures or highly corrosive environments.

Standards

- UL 508 Type 1, 2, 3, 4, 4X, 12, & 13
- CSA Type 1, 2, 3, 4, 4X, 12, & 13
- **Complies with**
 - NEMA Type 1, 2, 3, 4, 4X, 12, & 13
 - IEC 60529, IP66

Construction

- Molded fiberglass polyester enclosure with matching cover is easily punched, cut, or drilled.
- Enhanced UV inhibitors protect against outdoor weathering.

Snap Latch

Part No.	Overall Dimensions			Panel Dimensions					Centers					Cover Dimensions			Opt. Steel Panel Part No.	Ship Weight (lbs)
	A	B	C	D	E	F	G	H	J	S	Z	L	T	V	U	W		
PJ664L	6.10	6.10	4.18	4.88	4.88	3.76	5.01	5.01	3.52	4.25	4.25	7.32	5.83	0.49	7.69	7.69	14R0505	4
PJ864L	8.00	6.12	4.13	6.75	4.88	3.68	6.89	5.01	3.47	6.25	4.25	9.19	5.85	0.50	9.59	7.71	14R0705	4
PJ1084L	10.13	8.26	4.13	8.75	6.88	3.68	8.89	7.01	3.47	8.25	6.25	11.19	7.85	0.50	11.77	9.90	14R0907	6
PJ1086L	10.13	8.26	6.13	8.75	6.88	5.68	8.89	7.01	5.47	8.25	6.25	11.19	7.85	0.50	11.77	9.90	14R0907	6
PJ12106L	12.13	10.26	6.13	10.75	8.88	5.68	10.89	9.01	5.47	10.25	8.25	13.19	9.85	0.50	13.77	11.90	14R1109	8
PJ14126L	14.13	12.26	6.13	12.75	10.88	5.68	12.89	11.01	5.47	12.25	10.25	15.19	11.85	0.50	15.73	13.85	14R1311	11
PJ16148L	16.27	14.40	8.13	14.75	12.88	7.68	14.89	13.01	7.47	14.25	12.25	17.19	13.71	0.50	17.87	15.99	14R1513	12
PJ18168L	18.40	16.40	8.13	16.88	14.88	7.68	16.97	14.97	7.47	16.25	14.25	19.28	15.72	0.50	20.00	18.00	P1868	17
PJ20168L	20.00	16.00	8.13	18.44	14.44	7.68	18.54	14.54	7.47	17.81	13.81	20.84	15.31	0.52	21.59	17.59	P2068	19

For aluminum and fiberglass panels...see page 129.

Construction...Cont'd

- 10-32 threaded brass inserts are provided for optional inner panel or terminal kit mounting. Mounting hardware is included.
- Stainless steel butterfly type "twist latch" door fasteners.
- Stainless steel draw type "snap latch" door fasteners.
- Door fasteners include a provision for padlocking.
- Twist latch enclosures are available with bonded polycarbonate viewing windows.
- Door is supported with a continuous stainless steel hinge.
- Captive oil resistant gasket provides a positive seal.
- Threaded brass inserts are provided for mounting feet to the rear of the enclosure.
- Stainless steel mounting brackets and hardware are provided for mounting to the rear of the enclosure.
- Operating temperatures between 130°C and -40°C (266°F to -40°F).
- Impact index of 6.78J (5 ft/lb). For corrosion resistance information, please refer to table in the Technical Information section.

Finish

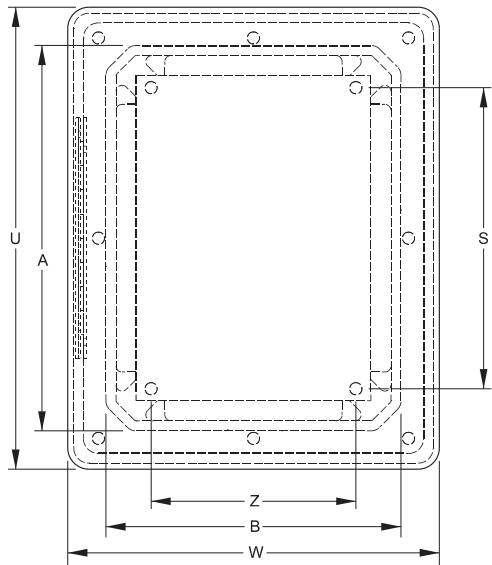
- Fiberglass polyester material has a gray finish.
- Optional inner panels are available in white powder coated finished steel, unfinished aluminum, or Fiberglass.

Accessories

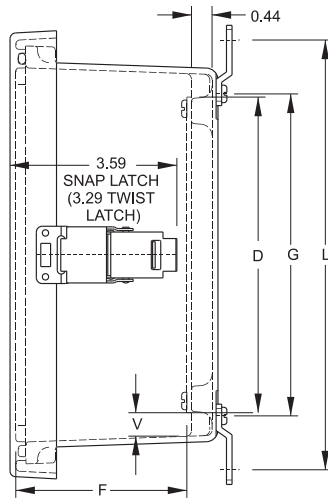
- Painted steel inner panels
...see page 138
- PJ/ PJU swing panel...see page 138
- Unfinished aluminum inner panels...see page 138
- Fiberglass inner panels
...see page 138
- Terminal kit assemblies
...see page 441

Polyester Modular Enclosures - NEMA 4X

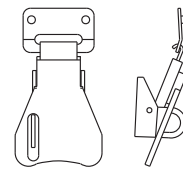
PJ Series - Snap & Twist Latch Hinged Cover



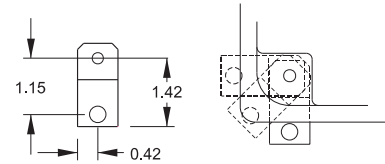
Front View



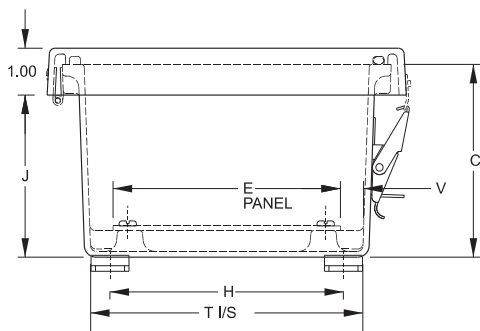
Side View



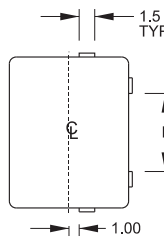
Details of Twist Latch



Optional Mounting Feet Locations



End View



Latch Locations

For use on
18 x 16 x 8 D = 5.25
20 x 16 x 8 D = 9.25

For use on
6 x 6 x 4 8 x 6 x 4
10 x 8 x 6
10 x 8 x 4

For use on
12 x 10 x 6 D = 6.75
14 x 12 x 6 D = 7.25
16 x 14 x 8 D = 7.25

Thermal Index

130°C to -40°C (266°F to -40°F)

Impact Index

6.78J (5 ft/lb)

Corrosion Resistant Junction Boxes

Twist Latch

Part No.	Overall Dimensions			Panel Dimensions			Centers						Cover Dimensions			Opt. Steel Panel Part No.	Shipping Weight (lbs)	
	A	B	C	D	E	F	G	H	J	S	Z	L	T	V	U			W
PJ664T	6.10	6.10	4.18	4.88	4.88	3.76	5.01	5.01	3.52	4.25	4.25	7.32	5.83	0.49	7.69	7.69	14R0505	4
PJ864T	8.00	6.12	4.13	6.75	4.88	3.68	6.89	5.01	3.47	6.25	4.25	9.19	5.85	0.50	9.59	7.71	14R0705	4
PJ1084T	10.13	8.26	4.13	8.75	6.88	3.68	8.89	7.01	3.47	8.25	6.25	11.19	7.85	0.50	11.77	9.90	14R0907	6
PJ1086T	10.13	8.26	6.13	8.75	6.88	5.68	8.89	7.01	5.47	8.25	6.25	11.19	7.85	0.50	11.77	9.90	14R0907	6
PJ12106T	12.13	10.26	6.13	10.75	8.88	5.68	10.89	9.01	5.47	10.25	8.25	13.19	9.85	0.50	13.77	11.90	14R1109	8
PJ14126T	14.13	12.26	6.13	12.75	10.88	5.68	12.89	11.01	5.47	12.25	10.25	15.19	11.85	0.50	15.73	13.85	14R1311	11
PJ16148T	16.27	14.40	8.13	14.75	12.88	7.68	14.89	13.01	7.47	14.25	12.25	17.19	13.71	0.50	17.87	15.99	14R1513	12
PJ18168T	18.40	16.40	8.13	16.88	14.88	7.68	16.97	14.97	7.47	16.25	14.25	19.28	15.72	0.50	20.00	18.00	P1868	17
PJ20168T	20.00	16.00	8.13	18.44	14.44	7.68	18.54	14.54	7.47	17.81	13.81	20.84	15.31	0.52	21.59	17.59	P2068	19

For aluminum and fiberglass panels...see page 138.

Technical references and CAD downloads available at www.hammondmfg.com

All dimensions in inches unless specified otherwise

Quality Products. Service Excellence.

Polyester Modular Enclosures - NEMA 4X

PJ Series - Lift-Off, Hinged, Snap Latch, Twist Latch, Solid and Window Door



Twist Latch Detail



Snap Latch Detail

**Panel
Sold
Separately**



Corrosion Resistant

Junction Boxes

Application

- Designed for use as instrument enclosures, electric, hydraulic or pneumatic control housings, electrical junction boxes or terminal wiring enclosures.
- Provides outstanding insulation and protection where equipment may be hosed down or be very wet.
- Ideal in applications with high temperatures or highly corrosive environments.

Standards

- UL 508 Type 1, 2, 3, 4, 4X, 12 and 13
- CSA Type 1, 2, 3, 4, 4X, 12 and 13
- Complies with
 - NEMA Type 1, 2, 3, 4, 4X, 12, & 13
 - IEC 60529, IP66

Construction

- Molded fiberglass polyester enclosure with matching cover is easily punched, cut, or drilled.
- Enhanced UV inhibitors protect against outdoor weathering.
- Standard JIC sizes under 18"x16".
- Threaded brass inserts are provided for optional inner panel or terminal kit mounting. Mounting hardware is included.
- Stainless steel draw type "snap latch" door fasteners.
- Door fasteners include a provision for padlocking.
- Enclosures are available with bonded polycarbonate viewing windows.
- Door is supported with a continuous stainless steel hinge.
- Captive oil resistant gasket provides a positive seal.
- Threaded brass inserts are provided for mounting feet to the rear of the enclosure.
- Stainless steel mounting brackets and hardware are provided for mounting to the rear of the enclosure.
- Operating temperatures between 130°C and -40°C (266°F to -40°F).

Construction...Cont'd

- Impact index of 6.78J (5 ft/lb).
- For corrosion resistance information, please refer to table in the Technical Information section.

Finish

- Fiberglass polyester material has a gray finish.
- Optional inner panels are available in white powder coated finished steel or unfinished aluminum, or Fiberglass.

Accessories

- Painted steel inner panels
...see page **138**
- PJ/ PJU swing panel...see page **138**
- Unfinished aluminum inner panels...see page **138**
- Fiberglass inner panels
...see page **138**
- Terminal kit assemblies
...see page **441**

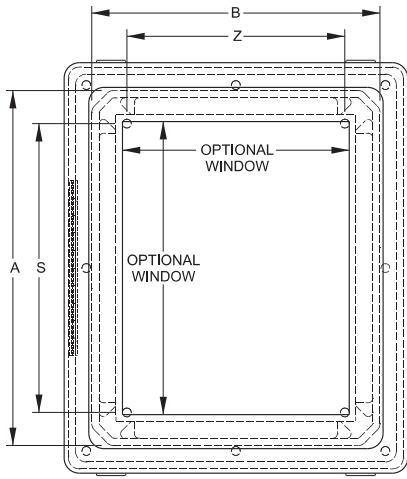
Window Lift-Off Part No.	Window Hinged Part No.	Overall Dimensions			Panel Size				Center			
		A	B	C	D	E	F	G	H	J	S	Z
PJ664W	PJ664HW	6.10	6.10	4.18	4.88	4.88	5.26	5.01	5.01	3.52	4.25	4.25
PJ864W	PJ864HW	8.00	6.12	4.13	6.75	4.88	5.21	6.89	5.01	3.47	6.25	4.25
PJ1084W	PJ1084HW	10.13	8.26	4.13	8.75	6.88	3.68	8.89	7.01	3.47	8.25	6.25
PJ1086W	PJ1086HW	10.13	8.26	6.13	8.75	6.88	7.21	8.89	7.01	5.47	8.25	6.25
PJ12106W	PJ12106HW	12.13	10.26	6.13	10.75	8.88	7.21	10.89	9.01	5.47	10.25	8.25
PJ14126W	PJ14126HW	14.13	12.26	6.13	12.75	10.88	7.21	12.89	11.01	5.47	12.25	10.25
PJ16148W	PJ16148HW	16.27	14.40	8.13	14.75	12.88	9.21	14.89	13.01	7.47	14.25	12.25
PJ18168W	PJ18168HW	18.40	16.40	8.13	16.88	14.88	9.21	16.97	14.97	7.47	16.25	14.25
PJ20168W	PJ20168HW	20.00	16.00	8.13	18.44	14.44	9.21	18.54	14.54	7.47	17.81	13.81

Technical references and CAD downloads available at www.hammondmfg.com

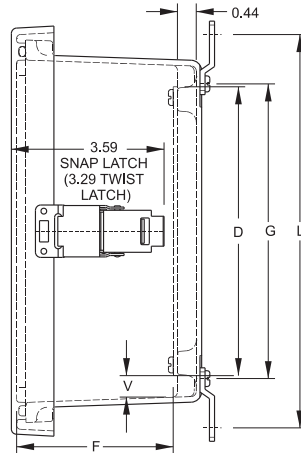
All dimensions in inches unless specified otherwise

Polyester Modular Enclosures - NEMA 4X

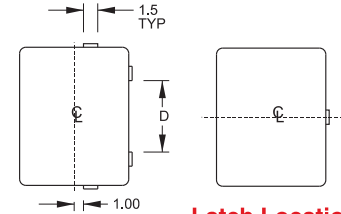
PJ Series - Lift-Off, Hinged, Snap Latch, Twist Latch, Solid and Window Door



Front View



Side View



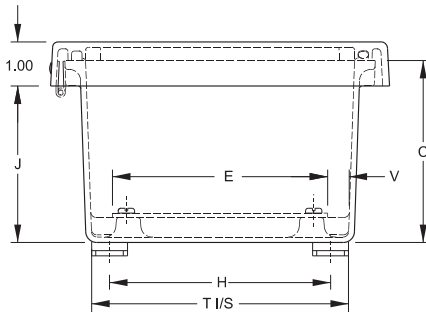
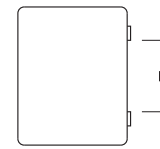
Latch Locations

For use on
 18 x 16 x 8 D = 5.25
 20 x 16 x 8 D = 9.25

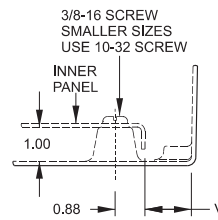
For use on
 6 x 6 x 4 8 x 6 x 4
 10 x 8 x 6
 10 x 8 x 4

Thermal Index
 130°C to -40°C (266°F to -40°F)

Impact Index
 6.78J (5 ft/lb)

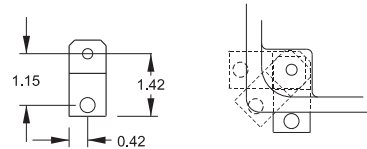


End View



Detail A

For use on
 12 x 10 x 6 D = 6.75
 14 x 12 x 6 D = 7.25
 16 x 14 x 8 D = 7.25



Optional Mounting Feet Locations

Corrosion Resistant Junction Boxes

Window Snap Latch Part No.	Window Twist Latch Part No.	Cover Dimensions								Optional Panel Part No.	Window Dim. HxW	Shipping Weight (lbs)
		L	T	K	M	U	W	R	V			
PJ664LW	PJ664TW	7.32	5.83	6.08	6.08	7.69	7.69	0.44	0.49	14R0505	4.25x4.25	4
PJ864LW	PJ864TW	9.19	5.85	6.11	7.98	9.59	7.71	0.44	0.50	14R0705	4.25x6.25	4
PJ1084LW	PJ1084TW	11.19	7.85	8.44	10.32	11.77	9.90	0.44	0.50	14R0907	8.37x6.5	6
PJ1086LW	PJ1086TW	11.19	7.85	8.44	10.32	11.77	9.90	0.44	0.50	14R0907	8.37x6.5	6
PJ12106LW	PJ12106TW	13.19	9.85	10.45	12.32	13.77	11.90	0.44	0.50	14R1109	10.37x8.5	8
PJ14126LW	PJ14126TW	15.19	11.85	12.45	14.32	15.73	13.85	0.44	0.50	14R1311	12.37x10.5	11
PJ16148LW	PJ16148TW	17.19	13.71	13.86	15.73	17.87	15.99	0.44	0.50	14R1513	13.00x11.00	12
PJ18168LW	PJ18168TW	19.28	15.72	15.86	17.86	20.00	18.00	0.44	0.50	P1868	14.00x12.00	17
PJ20168LW	PJ20168TW	20.84	15.31	15.43	19.43	21.59	17.59	0.44	0.52	P2068	15.00x11.00	19

For aluminum and fiberglass panels...see page 138.

Technical references and CAD downloads available at www.hammondmfg.com

All dimensions in inches unless specified otherwise

Quality Products. Service Excellence.

Polyester Modular Enclosures - NEMA 4X

PJ Series - Raised Lid Lift-Off, Hinged Cover, Solid and Window Door



Window Door

Panel
Sold
Separately



Corrosion Resistant

Junction Boxes

Application

- Designed for use as instrument enclosures, electric, hydraulic or pneumatic control housings, electrical junction boxes or terminal wiring enclosures.
- Provides outstanding insulation and protection where equipment may be hosed down or be very wet.
- Ideal in applications with high temperatures or highly corrosive environments.

Standards

- UL 508 Type 1, 2, 3, 4, 4X, 12 and 13
- UL 508 Type 6P (see table)
- CSA Type 1, 2, 3, 4, 4X, 12 and 13
- CSA Type 6P (see table)
- Complies with
 - NEMA Type 1, 2, 3, 4, 4X, 12 and 13
 - IEC 60529, IP66

Construction

- Molded fiberglass polyester enclosure with matching cover is easily punched, cut, or drilled.
- Enhanced UV inhibitors protect against outdoor weathering.
- Standard JIC sizes under 18" x 16".
- Threaded brass inserts are provided for optional inner panel or terminal kit mounting. Mounting hardware is included.
- Cover fastened with captive stainless steel screws in threaded brass inserts.
- Door fasteners include a provision for padlocking.
- Enclosures are available with bonded polycarbonate viewing windows.
- Door is supported with a continuous stainless steel hinge.
- Captive oil resistant gasket provides a positive seal.
- Threaded brass inserts are provided for mounting feet to the rear of the enclosure.
- Stainless steel mounting brackets and hardware are provided for mounting to the rear of the enclosure.
- Operating temperatures between 130°C and -40°C (266°F to -40°F).
- Impact index of 6.78J (5 ft/lb).

Construction...Cont'd

- For corrosion resistance information, please refer to table in the Technical Information section.

Finish

- Fiberglass polyester material has a gray finish.
- Optional inner panels are available in white powder coated finished steel or unfinished aluminum, or Fiberglass.

Accessories

- Painted steel inner panels
...see page **138**
- PJ/ PJU swing panel...see page **138**
- Unfinished aluminum inner panels...see page **138**
- Fiberglass inner panels
...see page **138**
- Terminal kit assemblies
...see page **441**

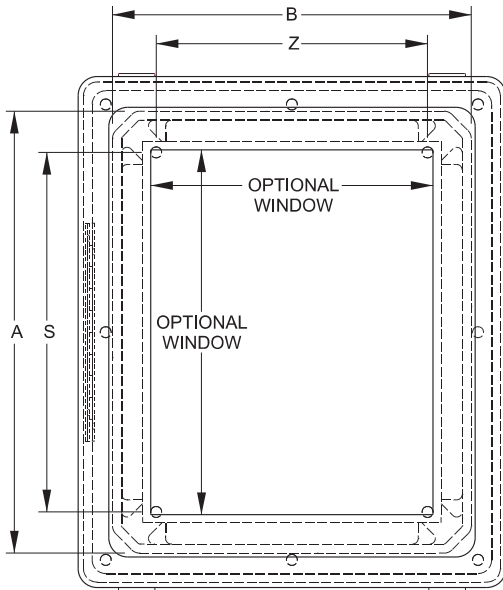
Raised Lift-Off Solid Cover Part No.	Raised Window Cover Lift-Off Part No.	Overall Dimensions			Panel Size						Center	
		A	B	C	D	E	F	G	H	J	S	Z
PJ664R ²	PJ664RW ²	6.10	6.10	4.18	4.88	4.88	5.26	5.01	5.01	3.52	4.25	4.25
PJ864R ²	PJ864RW ²	8.00	6.12	4.13	6.75	4.88	5.21	6.89	5.01	3.47	6.25	4.25
PJ1084R ²	PJ1084RW ²	10.13	8.26	4.13	8.75	6.88	3.68	8.89	7.01	3.47	8.25	6.25
PJ1086R ²	PJ1086RW ²	10.13	8.26	6.13	8.75	6.88	7.21	8.89	7.01	5.47	8.25	6.25
PJ12106R ²	PJ12106RW ²	12.13	10.26	6.13	10.75	8.88	7.21	10.89	9.01	5.47	10.25	8.25
PJ14126R ²	PJ14126RW ²	14.13	12.26	6.13	12.75	10.88	7.21	12.89	11.01	5.47	12.25	10.25
PJ16148R	PJ16148RW	16.27	14.40	8.13	14.75	12.88	9.21	14.89	13.01	7.47	14.25	12.25
PJ18168R	PJ18168RW	18.40	16.40	8.13	16.88	14.88	9.21	16.97	14.97	7.47	16.25	14.25
PJ20168R	PJ20168RW	20.00	16.00	8.13	18.44	14.44	9.21	18.54	14.54	7.47	17.81	13.81

Technical references and CAD downloads available at www.hammondmfg.com

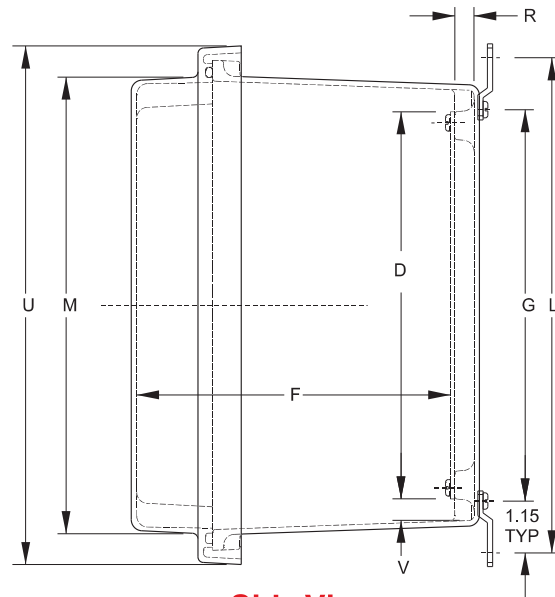
All dimensions in inches unless specified otherwise

Polyester Modular Enclosures - NEMA 4X

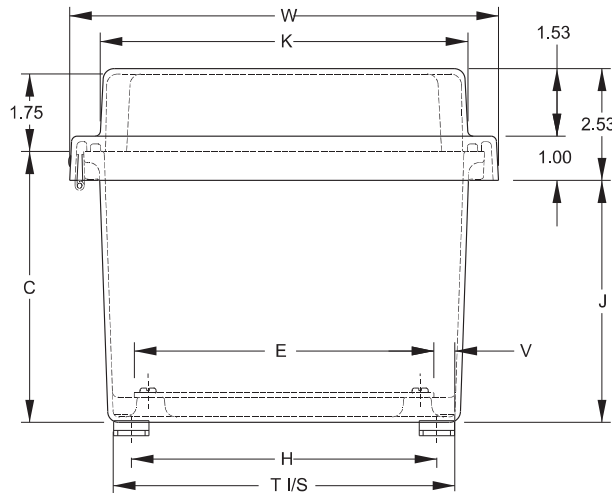
PJ Series - Raised Lid Lift-Off, Hinged Cover, Solid and Window Door



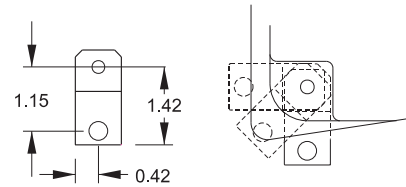
Front View



Side View



End View



Optional Mounting Feet Locations

Thermal Index

130°C to -40°C (266°F to -40°F)

Impact Index

6.78J (5 ft/lb)

Corrosion Resistant Junction Boxes

Raised Hinged Solid Cover Part No.	Raised Window Hinged Cover Part No.	Cover Dimensions								Optional Panel Part No.	Optional Window Dim. HxW	Shipping Weight (lbs)
		L	T	K	M	U	W	R	V			
PJ664RH	PJ664RHW	7.32	5.83	6.08	6.08	7.69	7.69	0.44	0.49	14R0505	4.25x4.25	4
PJ864RH	PJ864RHW	9.19	5.85	6.11	7.98	9.59	7.71	0.44	0.50	14R0705	4.25x6.25	4
PJ1084RH	PJ1084RHW	11.19	7.85	8.44	10.32	11.77	9.90	0.44	0.50	14R0907	8.37x6.5	6
PJ1086RH	PJ1086RHW	11.19	7.85	8.44	10.32	11.77	9.90	0.44	0.50	14R0907	8.37x6.5	6
PJ12106RH	PJ12106RHW	13.19	9.85	10.45	12.32	13.77	11.90	0.44	0.50	14R1109	10.37x8.5	8
PJ14126RH	PJ14126RHW	15.19	11.85	12.45	14.32	15.73	13.85	0.44	0.50	14R1311	12.37x10.5	11
PJ16148RH	PJ16148RHW	17.19	13.71	13.86	15.73	17.87	15.99	0.44	0.50	14R1513	13.00x11.00	12
PJ18168RH	PJ18168RHW	19.28	15.72	15.86	17.86	20.00	18.00	0.44	0.50	P1868	14.00x12.00	17
PJ20168RH	PJ20168RHW	20.84	15.31	15.43	19.43	21.59	17.59	0.44	0.52	P2068	15.00x11.00	19

For aluminum and fiberglass panels...see page 138.

² Type 6P

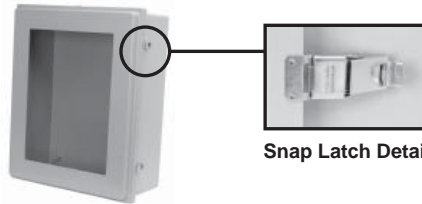
Technical references and CAD downloads available at www.hammondmfg.com

All dimensions in inches unless specified otherwise

Quality Products. Service Excellence.

Polyester Modular Enclosures - NEMA 4X

PJ Series - Raised Lid Snap Latch Hinged Cover, Solid and Window Door



Snap Latch Detail

Panel
Sold
Separately



Window Door

Application

- Designed for use as instrument enclosures, electric, hydraulic or pneumatic control housings, electrical junction boxes or terminal wiring enclosures.
- Provides outstanding insulation and protection where equipment may be hosed down or be very wet.
- Ideal in applications with high temperatures or highly corrosive environments.

Standards

- UL 508 Type 1, 2, 3, 4, 4X, 12 and 13
- CSA Type 1, 2, 3, 4, 4X, 12 and 13
- Complies with
 - NEMA Type 1, 2, 3, 4, 4X, 12, & 13
 - IEC 60529, IP66

Construction

- Molded fiberglass polyester enclosure with matching cover is easily punched, cut, or drilled.
- Enhanced UV inhibitors protect against outdoor weathering.
- Standard JIC sizes under 18"x16".
- Threaded brass inserts are provided for optional inner panel or terminal kit mounting. Mounting hardware is included.
- Stainless steel draw type "snap latch" door fasteners.
- Door fasteners include a provision for padlocking.
- Enclosures are available with bonded polycarbonate viewing windows.
- Door is supported with a continuous stainless steel hinge.
- Captive oil resistant gasket provides a positive seal.
- Threaded brass inserts are provided for mounting feet to the rear of the enclosure.
- Stainless steel mounting brackets and hardware are provided for mounting to the rear of the enclosure.

- Operating temperatures between 130°C and -40°C (266°F to -40°F).
- Impact index of 6.78J (5 ft/lb).
- For corrosion resistance information, please refer to table in the Technical Information section.

Finish

- Fiberglass polyester material has a gray finish.
- Optional inner panels are available in white powder coated finished steel or unfinished aluminum, or fiberglass.

Accessories

- Painted steel inner panels
...see page **138**
- PJ/ PJU swing panel...see page **138**
- Unfinished aluminum inner panels...see page **138**
- Fiberglass inner panels
...see page **138**
- Terminal kit assemblies
...see page **441**

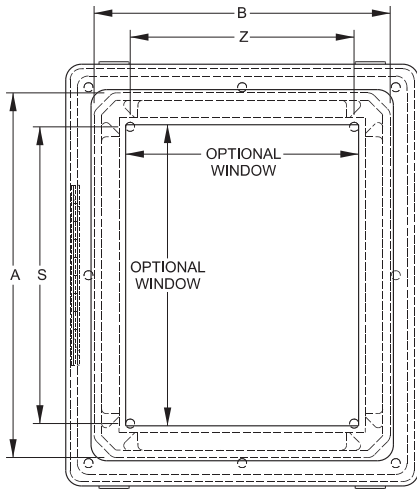
Corrosion Resistant Junction Boxes

Solid Cover Part No.	Window Cover Part No.	Overall Dimensions			Panel Size				Center		
		A	B	C	D	E	G	H	J	S	Z
PJ664RL	PJ664RLW	6.10	6.10	4.18	4.88	4.88	5.01	5.01	3.52	4.25	4.25
PJ864RL	PJ864RLW	8.00	6.12	4.13	6.75	4.88	6.89	5.01	3.47	6.25	4.25
PJ1084RL	PJ1084RLW	10.13	8.26	4.13	8.75	6.88	8.89	7.01	3.47	8.25	6.25
PJ1086RL	PJ1086RLW	10.13	8.26	6.13	8.75	6.88	8.89	7.01	5.47	8.25	6.25
PJ12106RL	PJ12106RLW	12.13	10.26	6.13	10.75	8.88	10.89	9.01	5.47	10.25	8.25
PJ14126RL	PJ14126RLW	14.13	12.26	6.13	12.75	10.88	12.89	11.01	5.47	12.25	10.25
PJ16148RL	PJ16148RLW	16.27	14.40	8.13	14.75	12.88	14.89	13.01	7.47	14.25	12.25
PJ18168RL	PJ18168RLW	18.40	16.40	8.13	16.88	14.88	16.97	14.97	7.47	16.25	14.25
PJ20168RL	PJ20168RLW	20.00	16.00	8.13	18.44	14.44	18.54	14.54	7.47	17.81	13.81
PJ24208RL	PJ24208RLW	24.00	20.00	8.13	21.00	17.00	22.75	18.75	7.47	19.25	15.25
PJ24248RL ¹	PJ24248RLW ¹	24.00	24.00	8.13	21.00	21.00	22.75	22.75	7.47	19.25	19.25
PJ30248RL ¹	PJ30248RLW ¹	30.00	24.00	8.13	27.00	21.00	28.75	22.75	7.47	25.25	19.25
PJ242010RL ¹	PJ242010RLW ¹	24.00	20.00	10.13	21.00	17.00	22.75	18.75	9.47	19.25	15.25
PJ242410RL ¹	PJ242410RLW ¹	24.00	24.00	10.13	21.00	21.00	22.75	22.75	9.47	19.25	19.25
PJ302410RL ¹	PJ302410RLW ¹	30.00	24.00	10.13	27.00	21.00	28.75	22.75	9.47	25.25	19.25

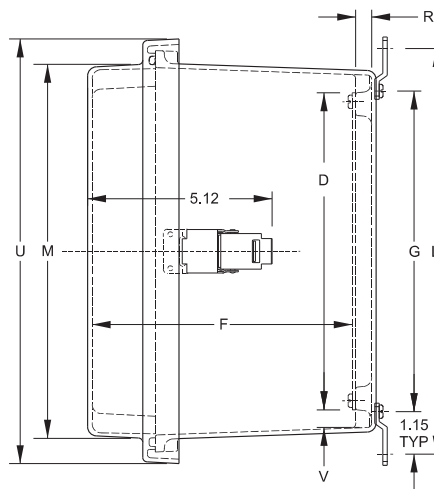
¹ Uses larger mounting foot. See drawing above.

Polyester Modular Enclosures - NEMA 4X

PJ Series - Raised Lid Snap Latch Hinged Cover, Solid and Window Door

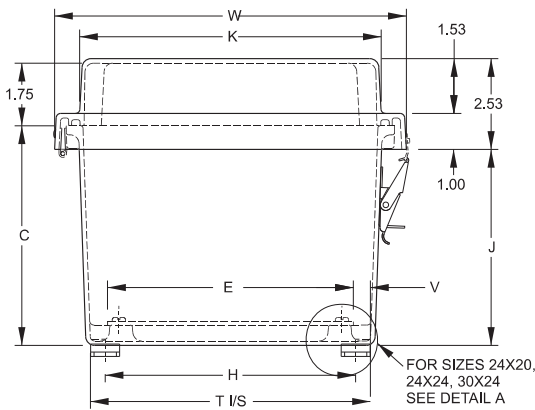
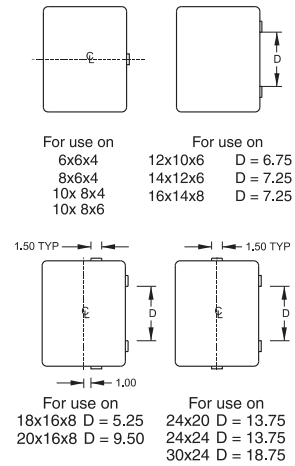


Front View

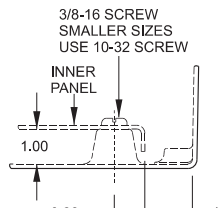


Side View

Latch Locations



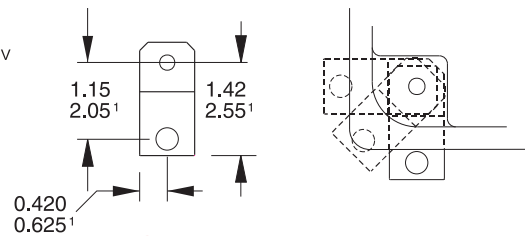
End View



Detail A

Thermal Index
130°C to -40°C (266°F to -40°F)

Impact Index
6.78J (5 ft/lb)



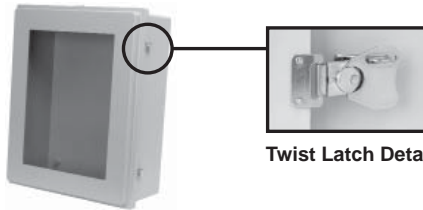
Optional Mounting Feet Locations

Solid Cover Part No.	Window Cover Part No.	L	T	Cover Dimensions		U	W	R	V	Optional Panel Part No.	Optional Window Dim. HxW
				K	M						
PJ664RL	PJ664RLW	7.32	5.83	6.08	6.08	7.69	7.69	0.44	0.49	14R0505	4.25x4.25
PJ864RL	PJ864RLW	9.19	5.85	6.11	7.98	9.59	7.71	0.44	0.50	14R0705	6.25x4.25
PJ1084RL	PJ1084RLW	11.19	7.85	8.44	10.32	11.77	9.90	0.44	0.50	14R0907	8.37x6.5
PJ1086RL	PJ1086RLW	11.19	7.85	8.44	10.32	11.77	9.	0.44	0.50	14R0907	8.37x6.5
PJ12106RL	PJ12106RLW	13.19	9.85	10.45	12.32	13.77	11.90	0.44	0.50	14R1109	10.37x8.5
PJ14126RL	PJ14126RLW	15.19	11.85	12.45	14.32	15.73	13.85	0.44	0.50	14R1311	12.37x10.5
PJ16148RL	PJ16148RLW	17.19	13.71	13.86	15.73	17.87	15.99	0.44	0.50	14R1513	13.00x11.00
PJ18168RL	PJ18168RLW	19.28	15.72	15.86	17.86	20.00	18.00	0.44	0.50	P1868	14.00x12.00
PJ20168RL	PJ20168RLW	20.84	15.31	15.43	19.43	21.59	17.59	0.44	0.52	P2068	15.00x11.00
PJ24208RL	PJ24208RLW	25.06	19.73	20.16	24.16	25.59	21.59	1.00	1.38	18P2117	16.00x12.00
PJ24248RL ¹	PJ24248RLW ¹	25.06	23.73	24.16	24.16	25.59	25.59	1.00	1.38	18P2121	16.00x16.00
PJ30248RL ¹	PJ30248RLW ¹	31.06	23.73	24.16	30.16	31.59	25.59	1.00	1.38	18P2721	23.00x17.00
PJ242010RL ¹	PJ242010RLW ¹	25.06	19.70	20.16	24.16	25.59	21.59	1.00	1.36	18P2117	16.00x12.00
PJ242410RL ¹	PJ242410RLW ¹	25.06	23.70	24.16	24.16	25.59	25.59	1.00	1.36	18P2121	16.00x16.00
PJ302410RL ¹	PJ302410RLW ¹	31.06	23.70	24.16	30.16	31.59	25.59	1.00	1.36	18P2721	23.00x17.00

¹ Uses larger mounting foot. See drawing above.

Polyester Modular Enclosures - NEMA 4X

PJ Series - Raised Lid Twist Latch Hinged Cover, Solid and Window Door



Window Door

Twist Latch Detail

**Panel
Sold
Separately**



Corrosion Resistant Junction Boxes

Application

- Designed for use as instrument enclosures, electric, hydraulic or pneumatic control housings, electrical junction boxes or terminal wiring enclosures.
- Provides outstanding insulation and protection where equipment may be hosed down or be very wet.
- Ideal in applications with high temperatures or highly corrosive environments.

Standards

- UL 508 Type 1, 2, 3, 4, 4X, 12 and 13
- CSA Type 1, 2, 3, 4, 4X, 12 and 13
- Complies with
 - NEMA Type 1, 2, 3, 4, 4X, 12, & 13
 - IEC 60529, IP66

Construction

- Molded fiberglass polyester enclosure with matching cover is easily punched, cut, or drilled.
- Enhanced UV inhibitors protect against outdoor weathering.
- Threaded brass inserts are provided for optional inner panel or terminal kit mounting. Mounting hardware is included.
- Stainless steel draw type "twist latch" door fasteners.
- Door fasteners include a provision for padlocking.
- Enclosures are available with bonded polycarbonate viewing windows.
- Door is supported with a continuous stainless steel hinge.
- Captive oil resistant gasket provides a positive seal.
- Threaded brass inserts are provided for mounting feet to the rear of the enclosure.
- Stainless steel mounting brackets and hardware are provided for mounting to the rear of the enclosure.

- Operating temperatures between 130°C and -40°C (266°F to -40°F).
- Impact index of 6.78J (5 ft/lb).
- For corrosion resistance information, please refer to table in the Technical Information section.

Finish

- Fiberglass polyester material has a gray finish.
- Optional inner panels are available in white powder coated finished steel or unfinished aluminum, or fiberglass.

Accessories

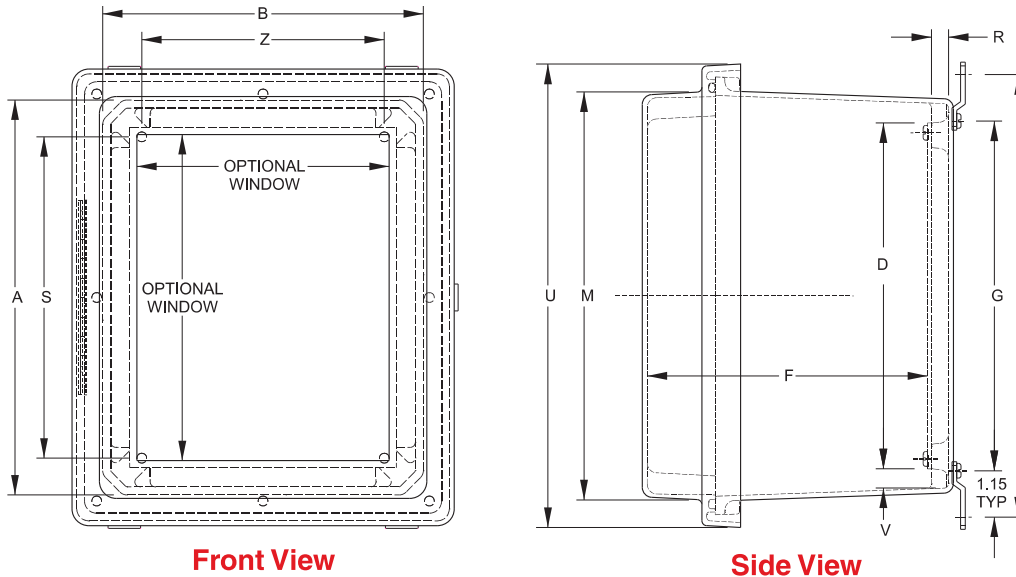
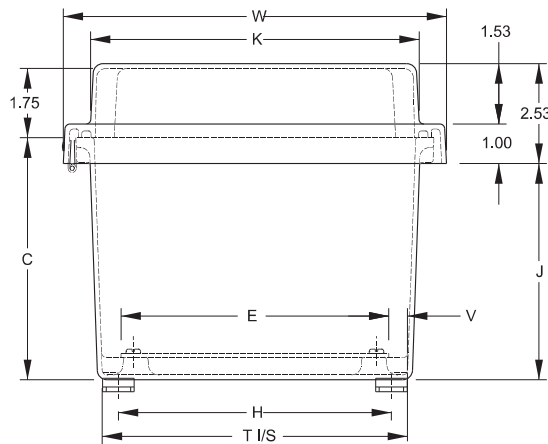
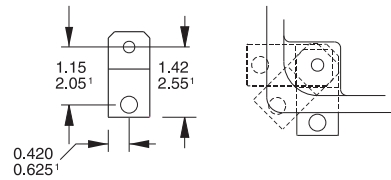
- Painted steel inner panels
...see page **138**
- PJ/ PJU swing panel...see page **138**
- Unfinished aluminum inner panels...see page **138**
- Fiberglass inner panels
...see page **138**
- Terminal kit assemblies
...see page **441**

Solid Cover Part No.	Window Cover Part No.	Overall Dimensions			Panel Size						Center	
		A	B	C	D	E	F	G	H	J	S	Z
PJ664RT	PJ664RTW	6.10	6.10	4.18	4.88	4.88	5.26	5.01	5.01	3.52	4.25	4.25
PJ864RT	PJ864RTW	8.00	6.12	4.13	6.75	4.88	5.21	6.89	5.01	3.47	6.25	4.25
PJ1084RT	PJ1084RTW	10.13	8.26	4.13	8.75	6.88	5.21	8.89	7.01	3.47	8.25	6.25
PJ1086RT	PJ1086RTW	10.13	8.26	6.13	8.75	6.88	7.21	8.89	7.01	5.47	8.25	6.25
PJ12106RT	PJ12106RTW	12.13	10.26	6.13	10.75	8.88	7.21	10.89	9.01	5.47	10.25	8.25
PJ14126RT	PJ14126RTW	14.13	12.26	6.13	12.75	10.88	7.21	12.89	11.01	5.47	12.25	10.25
PJ16148RT	PJ16148RTW	16.27	14.40	8.13	14.75	12.88	9.21	14.89	13.01	7.47	14.25	12.25
PJ18168RT	PJ18168RTW	18.40	16.40	8.13	16.88	14.88	9.21	16.97	14.97	7.47	16.25	14.25
PJ20168RT	PJ20168RTW	20.00	16.00	8.13	18.44	14.44	9.21	18.54	14.54	7.47	17.81	13.81
PJ24208RT ¹	PJ24208RTW ¹	24.00	20.00	8.13	21.00	17.00	8.65	22.75	18.75	7.47	19.25	15.25
PJ24248RT ¹	PJ24248RTW ¹	24.00	24.00	8.13	21.00	21.00	8.65	22.75	22.75	7.47	19.25	19.25
PJ30248RT ¹	PJ30248RTW ¹	30.00	24.00	8.13	27.00	21.00	8.65	28.75	22.75	7.47	25.25	19.25
PJ242010RT ¹	PJ242010RTW ¹	24.00	20.00	10.13	21.00	17.00	10.65	22.75	18.75	9.47	19.25	15.25
PJ242410RT ¹	PJ242410RTW ¹	24.00	24.00	10.13	21.00	21.00	10.65	22.75	22.75	9.47	19.25	19.25
PJ302410RT ¹	PJ302410RTW ¹	30.00	24.00	10.13	27.00	21.00	10.65	28.75	22.75	9.47	25.25	19.25

¹ Uses larger mounting foot. See drawing above.

Polyester Modular Enclosures - NEMA 4X

PJ Series - Raised Lid Twist Latch Hinged Cover, Solid and Window Door


Front View
Side View

End View

Optional Mounting Feet Locations
Thermal Index

130°C to -40°C (266°F to -40°F)

Impact Index

6.78J (5 ft/lb)

Corrosion Resistant Junction Boxes

Solid Cover Part No.	Window Cover Part No.	Cover Dimensions								Optional Panel Part No.	Optional Window Dim. HxW
		L	T	K	M	U	W	R	V		
PJ664RT	PJ664RTW	7.32	5.83	6.08	6.08	7.69	7.69	0.44	0.49	14R0505	4.25x4.25
PJ864RT	PJ864RTW	9.19	5.85	6.11	7.98	9.59	7.71	0.44	0.50	14R0705	6.25x4.25
PJ1084RT	PJ1084RTW	11.19	7.85	8.44	10.32	11.77	9.90	0.44	0.50	14R0907	8.37x6.5
PJ1086RT	PJ1086RTW	11.19	7.85	8.44	10.32	11.77	9.90	0.44	0.50	14R0907	8.37x6.5
PJ12106RT	PJ12106RTW	13.19	9.85	10.45	12.32	13.77	11.90	0.44	0.50	14R1109	10.37x8.5
PJ14126RT	PJ14126RTW	15.19	11.85	12.45	14.32	15.73	13.85	0.44	0.50	14R1311	12.37x10.5
PJ16148RT	PJ16148RTW	17.19	13.71	13.86	15.73	17.87	15.99	0.44	0.50	14R1513	13.00x11.00
PJ18168RT	PJ18168RTW	19.28	15.72	15.86	17.86	20.00	18.00	0.44	0.50	P1868	14.00x12.00
PJ20168RT	PJ20168RTW	20.84	15.31	15.43	19.43	21.59	17.59	0.44	0.52	P2068	15.00x11.00
PJ24208RT	PJ24208RTW	25.06	19.73	20.16	24.16	25.59	21.59	1.00	1.38	18P2117	16.00x12.00
PJ24248RT ¹	PJ24248RTW ¹	25.06	23.73	24.16	24.16	25.59	25.59	1.00	1.38	18P2121	16.00x16.00
PJ30248RT ¹	PJ30248RTW ¹	31.06	23.73	24.16	30.16	31.59	25.59	1.00	1.38	18P2721	23.00x17.00
PJ242010RT ¹	PJ242010RTW ¹	25.06	19.70	20.16	24.16	25.59	21.59	1.00	1.36	18P2117	16.00x12.00
PJ242410RT ¹	PJ242410RTW ¹	25.06	23.70	24.16	24.16	25.59	25.59	1.00	1.36	18P2121	16.00x16.00
PJ302410RT ¹	PJ302410RTW ¹	31.06	23.70	24.16	30.16	31.59	25.59	1.00	1.36	18P2721	23.00x17.00

¹ Uses larger mounting foot. See drawing above.

Polyester Modular Enclosures - NEMA 4X

PJU Series - Snap Latch, Hinged Cover, Solid and Window Door



Clear Cover

**Panel
Sold
Separately**



Corrosion Resistant

Wallmount Enclosures

Application

- Designed for use as instrument enclosures, electric, hydraulic or pneumatic control housings, electrical junction boxes or terminal wiring enclosures.
- Provides outstanding insulation and protection where equipment may be hosed down or be very wet.
- Ideal in applications with high temperatures or highly corrosive environments.

Standards

- UL 508 Type 1, 2, 3, 4, 4X, 12 and 13
- CSA Type 1, 2, 3, 4, 4X, 12 and 13
- Complies with
 - NEMA Type 1, 2, 3, 4, 4X, 12 and 13
 - IEC 60529, IP66

Construction

- Molded fiberglass polyester enclosure with matching cover is easily punched, cut, or drilled.
- Enhanced UV inhibitors protect against outdoor weathering.
- Standard JIC sizes under 18" x 16".
- Threaded brass inserts are provided for optional inner panel or terminal kit mounting. Mounting hardware is included.
- Stainless steel draw type "snap latch" door fasteners.
- Door fasteners include a provision for padlocking.
- Enclosure available with clear Polycarbonate cover to 16" x 14".
- Molded hinge with stainless steel pin.
- Captive oil resistant gasket provides a positive seal.
- Available with Polycarbonate flange or foot mount brackets for multi-directional mounting.
- Operating temperatures between 130°C and -40°C (266°F to -40°F).
- Impact index of 6.78J (5 ft/lb).
- For corrosion resistance information, please refer to table in the Technical Information section.

Finish

- Fiberglass polyester material has a gray finish.
- Optional inner panels are available in white powder coated finished steel or unfinished aluminum, or Fiberglass.

Accessories

- Painted steel inner panels
...see page **138**
- PJ/ PJU swing panel...see page **138**
- Unfinished aluminum inner panels...see page **138**
- Fiberglass inner panels
...see page **138**
- Terminal kit assemblies
...see page **441**

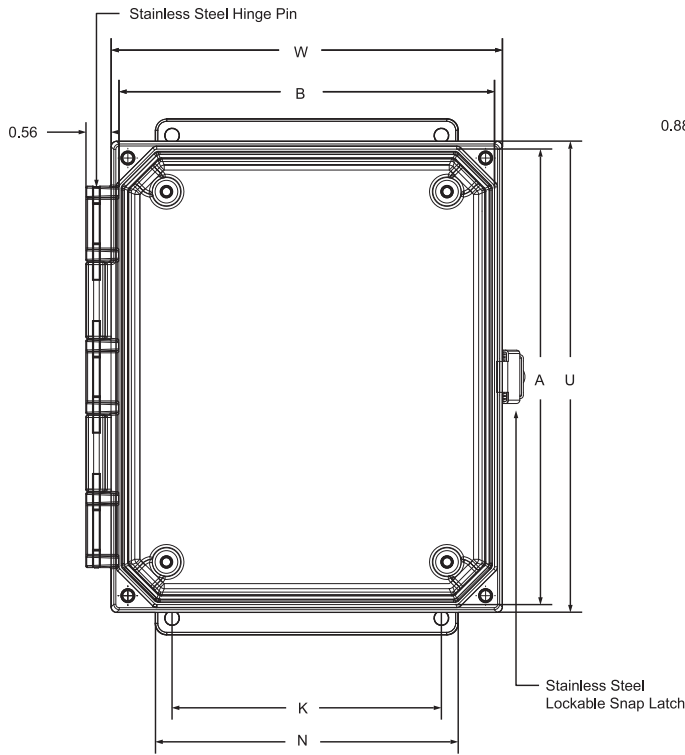
Hinged Snap Latch Flange Part No.	Hinged Snap Latch Feet Part No.	Overall Dimensions			Panel Size			Panel Centers		Flange Mounting Centers		
		A	B	C	D	E	F	S	Z	L	K	M
PJU664LF	PJU664L	6.05	6.27	4.13	4.88	4.88	4.11	4.25	4.25	6.88 / 6.75	4.05	7.62
PJU864LF	PJU864L	8.05	6.27	4.13	6.75	4.88	4.11	6.25	4.25	8.88 / 8.75	4.00	9.62
PJU1084LF	PJU1084L	10.05	8.27	4.13	8.75	6.88	4.11	10.25	6.25	10.75	6.00	11.50
PJU12106LF	PJU12106L	12.05	10.27	6.13	10.75	8.88	6.11	10.25	8.25	12.75	8.00	13.50
PJU14126LF	PJU14126L	14.05	12.27	6.13	12.75	10.88	6.11	12.25	10.25	14.75 / 14.62	10.00	15.37
PJU16148LF	PJU16148L	16.05	14.27	8.13	14.75	12.88	8.11	14.25	12.25	16.75	12.00	17.50
PJU181610LF	PJU181610L	18.30	16.52	10.13	16.88	14.88	10.11	16.25	14.25	18.88 / 18.76	12.00	20.12
PJU201610LF	PJU201610L	20.50	16.27	10.13	18.44	14.44	10.11	17.81	13.81	21.25	10.00	21.50

Technical references and CAD downloads available at www.hammondmfg.com

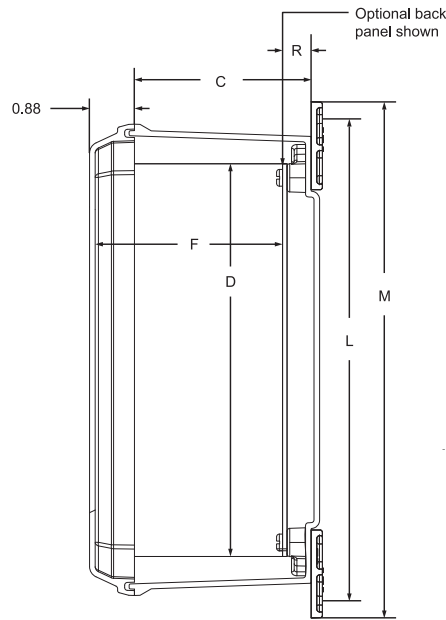
All dimensions in inches unless specified otherwise

Polyester Modular Enclosures - NEMA 4X

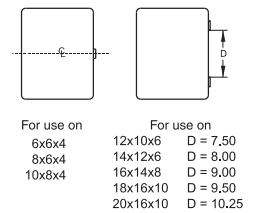
PJU Series - Snap Latch, Hinged Cover, Solid and Window Door



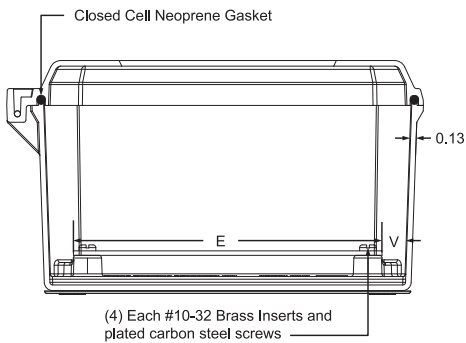
Front View



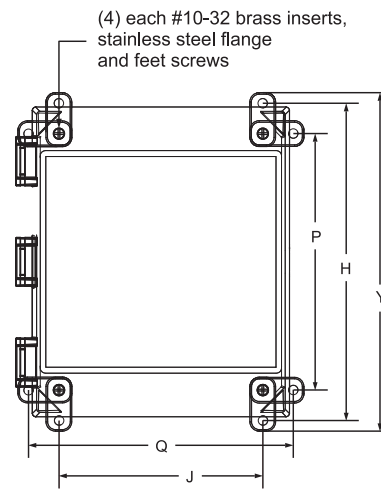
Side View



Latch Locations



End View



Rear View

Hinged Snap Latch Clear Cover Flange Part No.	Hinged Snap Latch Clear Cover Feet Part No.	N	H	J	P	Q	U	W	Y	R	V	Optional Panel Part No.	Shipping Weight (lbs)
PJU664CCLF	PJU664CCL	4.80	6.75	4.91	4.69	6.97	6.50	6.72	7.47	0.70	0.52	14R0505	4
PJU864CCLF	PJU864CCL	4.75	8.75	4.91	6.69	6.97	8.50	6.72	9.46	0.70	0.62	14R0705	4
PJU1084CCLF	PJU1084CCL	6.75	10.75	6.91	8.69	8.97	10.50	8.72	11.47	0.70	0.53	14R0907	6
PJU12106CCLF	PJU12106CCL	8.75	12.70	8.82	10.64	10.88	12.50	10.72	13.47	0.68	0.44	14R1109	6
PJU14126CCLF	PJU14126CCL	10.75	14.70	10.82	12.64	12.88	14.50	12.72	15.37	0.70	0.46	14R1311	8
PJU16148CCLF	PJU16148CCL	12.75	16.91	11.47	13.50	14.88	16.50	14.72	17.50	0.70	0.40	14R1513	11
N/A	N/A	12.75	19.16	13.72	15.75	17.13	18.75	16.97	19.89	0.70	0.45	P1868	12
N/A	N/A	12.75	20.53	13.16	17.13	16.56	20.50	16.72	21.28	0.70	0.50	P2068	17

For aluminum and fiberglass panels...see page 138.

Technical references and CAD downloads available at www.hammondmfg.com

All dimensions in inches unless specified otherwise

Quality Products. Service Excellence.

Corrosion Resistant

Wallmount Enclosures

Polyester Modular Enclosures - NEMA 4X

PJU Series - Twist Latch, Hinged Cover, Solid and Window Door



Clear Cover

Panel
Sold
Separately



Corrosion Resistant

Wallmount Enclosures

Application

- Designed for use as instrument enclosures, electric, hydraulic or pneumatic control housings, electrical junction boxes or terminal wiring enclosures.
- Provides outstanding insulation and protection where equipment may be hosed down or be very wet.
- Ideal in applications with high temperatures or highly corrosive environments.

Standards

- UL 508 Type 1, 2, 3, 4, 4X, 12 and 13
- CSA Type 1, 2, 3, 4, 4X, 12 and 13
- Complies with
 - NEMA Type 1, 2, 3, 4, 4X, 12 and 13
 - IEC 60529, IP66

Construction

- Molded fiberglass polyester enclosure with matching cover is easily punched, cut, or drilled.
- Enhanced UV inhibitors protect against outdoor weathering.
- Standard JIC sizes under 18" x 16".
- Threaded brass inserts are provided for optional inner panel or terminal kit mounting. Mounting hardware is included.
- Stainless steel butterfly type "twist latch" door fasteners.
- Door fasteners include a provision for padlocking.
- Enclosure available with clear Polycarbonate cover to 16" x 14".
- Molded hinge with stainless steel pin.
- Captive oil resistant gasket provides a positive seal.
- Available with Polycarbonate flange or foot mount brackets for multi-directional mounting.
- Operating temperatures between 130°C and -40°C (266°F to -40°F).
- Impact index of 6.78J (5 ft/lb).
- For corrosion resistance information, please refer to table in the Technical Information section.

Finish

- Fiberglass polyester material has a gray finish.
- Optional inner panels are available in white powder coated finished steel or unfinished aluminum, or Fiberglass.

Accessories

- Painted steel inner panels
...see page **138**
- PJ/ PJU swing panel...see page **138**
- Unfinished aluminum inner panels...see page **138**
- Fiberglass inner panels
...see page **138**
- Terminal kit assemblies
...see page **441**

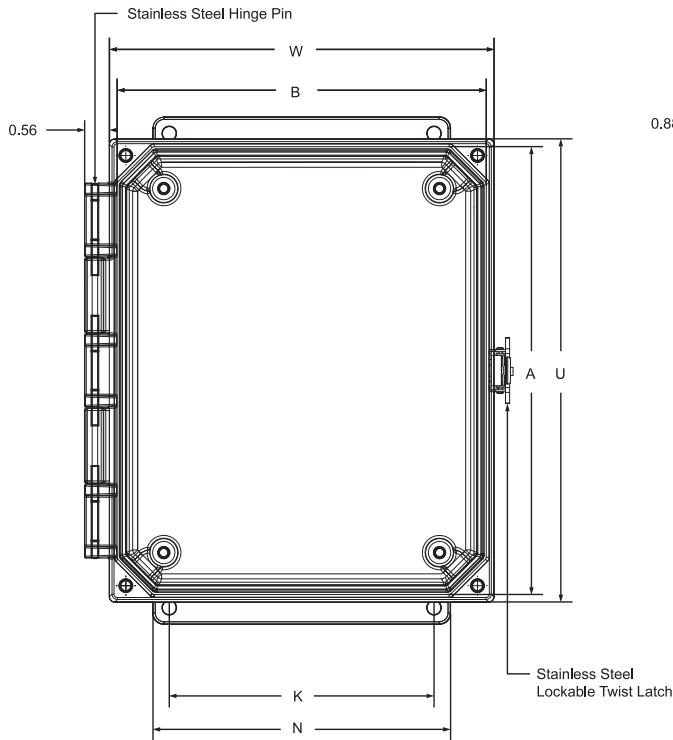
Hinged Twist Latch Flange Part No.	Hinged Twist Latch Feet Part No.	Overall Dimensions			Panel Size			Panel Centers		Flange Mounting Centers		
		A	B	C	D	E	F	S	Z	L	K	M
PJU664TF	PJU664T	6.05	6.27	4.13	4.88	4.88	4.11	4.25	4.25	6.88 / 6.75	4.05	7.62
PJU864TF	PJU864T	8.05	6.27	4.13	6.75	4.88	4.11	6.25	4.25	8.88 / 8.75	4.00	9.62
PJU1084TF	PJU1084T	10.05	8.27	4.13	8.75	6.88	4.11	10.25	6.25	10.75	6.00	11.50
PJU12106TF	PJU12106T	12.05	10.27	6.13	10.75	8.88	6.11	10.25	8.25	12.75	8.00	13.50
PJU14126TF	PJU14126T	14.05	12.27	6.13	12.75	10.88	6.11	12.25	10.25	14.75 / 14.62	10.00	15.37
PJU16148TF	PJU16148T	16.05	14.27	8.13	14.75	12.88	8.11	14.25	12.25	16.75	12.00	17.50
PJU181610TF	PJU181610T	18.30	16.52	10.13	16.88	14.88	10.11	16.25	14.25	18.88 / 18.76	12.00	20.12
PJU201610TF	PJU201610T	20.50	16.27	10.13	18.44	14.44	10.11	17.81	13.81	21.25	10.00	21.50

Technical references and CAD downloads available at www.hammondmfg.com

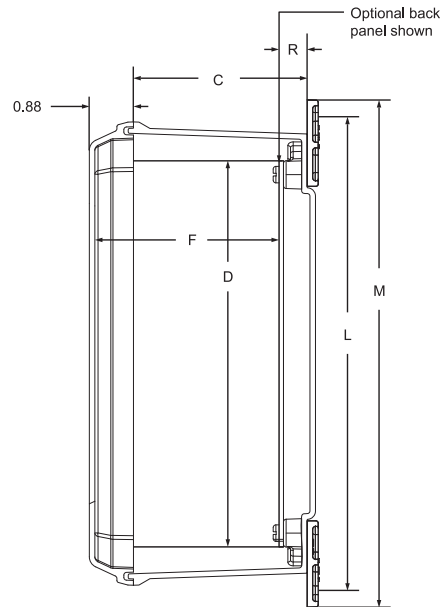
All dimensions in inches unless specified otherwise

Polyester Modular Enclosures - NEMA 4X

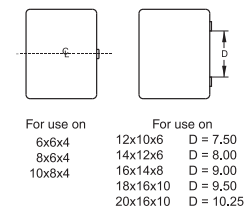
PJU Series - Twist Latch, Hinged Cover, Solid and Window Door



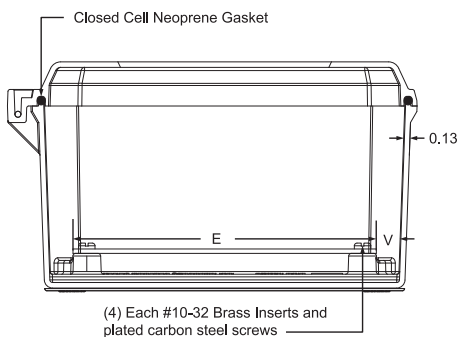
Front View



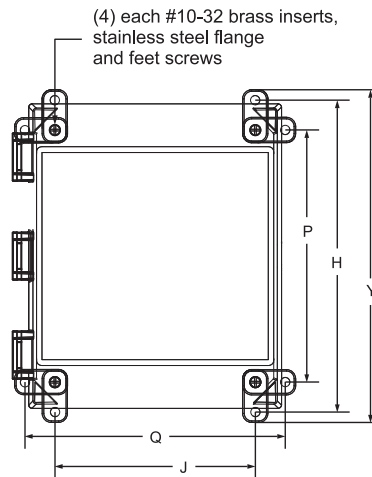
Side View



Latch Locations



End View



Rear View

Hinged Twist Latch Clear Cover Flange Part No.	Hinged Twist Latch Clear Cover Feet Part No.	N	H	J	P	Q	U	W	Y	R	V	Optional Panel Part No.	Shipping Weight (lbs)
PJU664CCTF	PJU664CCT	4.80	6.75	4.91	4.69	6.97	6.50	6.72	7.47	0.70	0.52	14R0505	4
PJU864CCTF	PJU864CCT	4.75	8.75	4.91	6.69	6.97	8.50	6.72	9.46	0.70	0.62	14R0705	4
PJU1084CCTF	PJU1084CCT	6.75	10.75	6.91	8.69	8.97	10.50	8.72	11.47	0.70	0.53	14R0907	6
PJU12106CCTF	PJU12106CCT	8.75	12.70	8.82	10.64	10.88	12.50	10.72	13.47	0.68	0.44	14R1109	6
PJU14126CCTF	PJU14126CCT	10.75	14.70	10.82	12.64	12.88	14.50	12.72	15.37	0.70	0.46	14R1311	8
PJU16148CCTF	PJU16148CCT	12.75	16.91	11.47	13.50	14.88	16.50	14.72	17.50	0.70	0.40	14R1513	11
N/A	N/A	12.75	19.16	13.72	15.75	17.13	18.75	16.97	19.89	0.70	0.45	P1868	12
N/A	N/A	12.75	20.53	13.16	17.13	16.56	20.50	16.72	21.28	0.70	0.50	P2068	17

For aluminum and fiberglass panels...see page 138.

Technical references and CAD downloads available at www.hammondmfg.com

All dimensions in inches unless specified otherwise

Quality Products. Service Excellence.

Polyester Modular Enclosures - NEMA 4X

PJU Series - Lift-Off, Solid and Window Door



Clear Cover

Panel
Sold
Separately



Corrosion Resistant

Wallmount Enclosures

Application

- Designed for use as instrument enclosures, electric, hydraulic or pneumatic control housings, electrical junction boxes or terminal wiring enclosures.
- Provides outstanding insulation and protection where equipment may be hosed down or be very wet.
- Ideal in applications with high temperatures or highly corrosive environments.

Standards

- UL 508 Type 1, 2, 3, 4, 4X, 12 and 13
- UL 508 Type 3P (see table)
- CSA Type 1, 2, 3, 4, 4X, 12 and 13
- CSA Type 6P (see table)
- Complies with
 - NEMA Type 1, 2, 3, 4, 4X, 12 and 13
 - IEC 60529, IP66

Construction

- Molded fiberglass polyester enclosure with matching cover is easily punched, cut, or drilled.
- Enhanced UV inhibitors protect against outdoor weathering.
- Standard JIC sizes under 18" x 16".
- Threaded brass inserts are provided for optional inner panel or terminal kit mounting. Mounting hardware is included.
- Cover fastened with captive stainless steel screws in threaded brass inserts.
- Enclosure available with clear Polycarbonate cover to 16" x 14".
- Captive oil resistant gasket provides a positive seal.
- Available with Polycarbonate flange or foot mount brackets for multi-directional mounting.
- Operating temperatures between 130°C and -40°C (266°F to -40°F).
- Impact index of 6.78J (5 ft/lb).
- For corrosion resistance information, please refer to table in the Technical Information section.

Finish

- Fiberglass polyester material has a gray finish.
- Optional inner panels are available in white powder coated finished steel or unfinished aluminum, or Fiberglass.

Accessories

- Painted steel inner panels
...see page **138**
- PJ/ PJU swing panel...see page **138**
- Unfinished aluminum inner panels...see page **138**
- Fiberglass inner panels
...see page **138**
- Terminal kit assemblies
...see page **441**

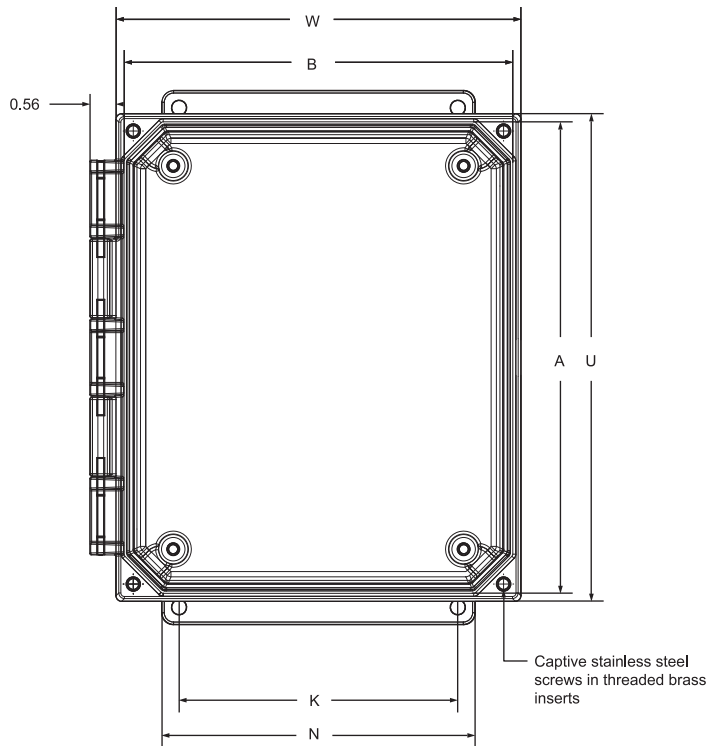
Lift-Off Cover Flange Part No.	Lift-Off Cover Feet Part No.	Overall Dimensions			Panel Size			Panel Centers		Flange Mounting Centers		
		A	B	C	D	E	F	S	Z	L	K	M
PJU664F ²	PJU664 ²	6.05	6.27	4.13	4.88	4.88	4.11	4.25	4.25	6.88 / 6.75	4.05	7.62
PJU864F ²	PJU864 ²	8.05	6.27	4.13	6.75	4.88	4.11	6.25	4.25	8.88 / 8.75	4.00	9.62
PJU1084F ²	PJU1084 ²	10.05	8.27	4.13	8.75	6.88	4.11	10.25	6.25	10.75	6.00	11.50
PJU12106F ²	PJU12106 ²	12.05	10.27	6.13	10.75	8.88	6.11	10.25	8.25	12.75	8.00	13.50
PJU14126F ²	PJU14126 ²	14.05	12.27	6.13	12.75	10.88	6.11	12.25	10.25	14.75 / 14.62	10.00	15.37
PJU16148F	PJU16148	16.05	14.27	8.13	14.75	12.88	8.11	14.25	12.25	16.75	12.00	17.50
PJU181610F	PJU181610	18.30	16.52	10.13	16.88	14.88	10.11	16.25	14.25	18.88 / 18.76	12.00	20.12
PJU201610F	PJU201610	20.50	16.27	10.13	18.44	14.44	10.11	17.81	13.81	21.25	10.00	21.50

Technical references and CAD downloads available at www.hammondmfg.com

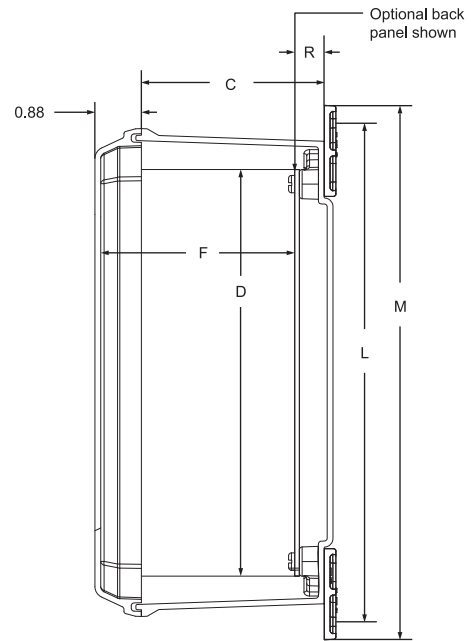
All dimensions in inches unless specified otherwise

Polyester Modular Enclosures - NEMA 4X

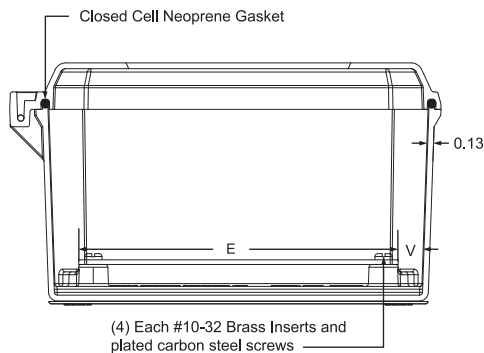
PJU Series - Lift-Off, Solid and Window Door



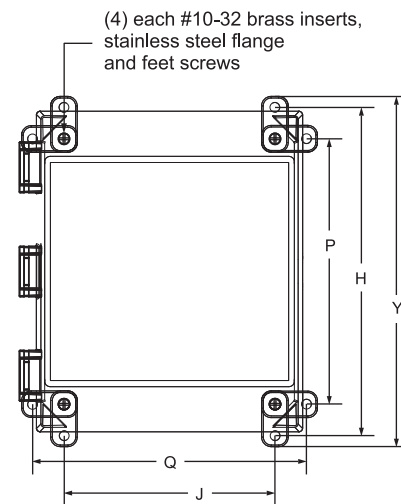
Front View



Side View



End View



Rear View

Corrosion Resistant

Wallmount Enclosures

Lift-Off Clear Cover Flange Part No.	Lift-Off Clear Cover Feet Part No.	N	H	J	P	Q	U	W	Y	R	V	Optional Panel Part No.	Shipping Weight (lbs)
PJU664CCF ²	PJU664CC ²	4.80	6.75	4.91	4.69	6.97	6.50	6.72	7.47	0.70	0.52	14R0505	4
PJU864CCF ²	PJU864CC ²	4.75	8.75	4.91	6.69	6.97	8.50	6.72	9.46	0.70	0.62	14R0705	4
PJU1084CCF ²	PJU1084CC ²	6.75	10.75	6.91	8.69	8.97	10.50	8.72	11.47	0.70	0.53	14R0907	6
PJU12106CCF ²	PJU12106CC ²	8.75	12.70	8.82	10.64	10.88	12.50	10.72	13.47	0.68	0.44	14R1109	6
PJU14126CCF ²	PJU14126CC ²	10.75	14.70	10.82	12.64	12.88	14.50	12.72	15.37	0.70	0.46	14R1311	8
PJU16148CCF	PJU16148CC	12.75	16.91	11.47	13.50	14.88	16.50	14.72	17.50	0.70	0.40	14R1513	11
N/A	N/A	12.75	19.16	13.72	15.75	17.13	18.75	16.97	19.89	0.70	0.45	P1868	12
N/A	N/A	12.75	20.53	13.16	17.13	16.56	20.50	16.72	21.28	0.70	0.50	P2068	17

For aluminum and fiberglass panels...see page 138.

² Type 6P

Technical references and CAD downloads available at www.hammondmfg.com

All dimensions in inches unless specified otherwise

Quality Products. Service Excellence.

Polyester Modular Enclosures - NEMA 4X

PJU Series - Hinged Screw Cover, Solid and Window Door



Clear Cover

**Panel
Sold
Separately**



Corrosion Resistant

Wallmount Enclosures

Application

- Designed for use as instrument enclosures, electric, hydraulic or pneumatic control housings, electrical junction boxes or terminal wiring enclosures.
- Provides outstanding insulation and protection where equipment may be hosed down or be very wet.
- Ideal in applications with high temperatures or highly corrosive environments.

Standards

- UL 508 Type 1, 2, 3, 4, 4X, 12 and 13
- CSA Type 1, 2, 3, 4, 4X, 12 and 13
- Complies with
 - NEMA Type 1, 2, 3, 4, 4X, 12 and 13
- IEC 60529, IP66

Construction

- Molded fiberglass polyester enclosure with matching cover is easily punched, cut, or drilled.
- Enhanced UV inhibitors protect against outdoor weathering.
- Standard JIC sizes under 18" x 16".
- Threaded brass inserts are provided for optional inner panel or terminal kit mounting. Mounting hardware is included.
- Cover fastened with captive stainless steel screws in threaded brass inserts.
- Enclosure available with clear Polycarbonate cover to 16" x 20".
- Molded hinge with stainless steel pin.
- Captive oil resistant gasket provides a positive seal.
- Available with Polycarbonate flange or foot mount brackets for multi-directional mounting.
- Operating temperatures between 130°C and -40°C (266°F to -40°F).
- Impact index of 6.78J (5 ft/lb).
- For corrosion resistance information, please refer to table in the Technical Information section.

Finish

- Fiberglass polyester material has a gray finish.
- Optional inner panels are available in white powder coated finished steel or unfinished aluminum, or Fiberglass.

Accessories

- Painted steel inner panels
...see page **138**
- PJ/ PJU swing panel...see page **138**
- Unfinished aluminum inner panels...see page **138**
- Fiberglass inner panels
...see page **138**
- Terminal kit assemblies
...see page **441**

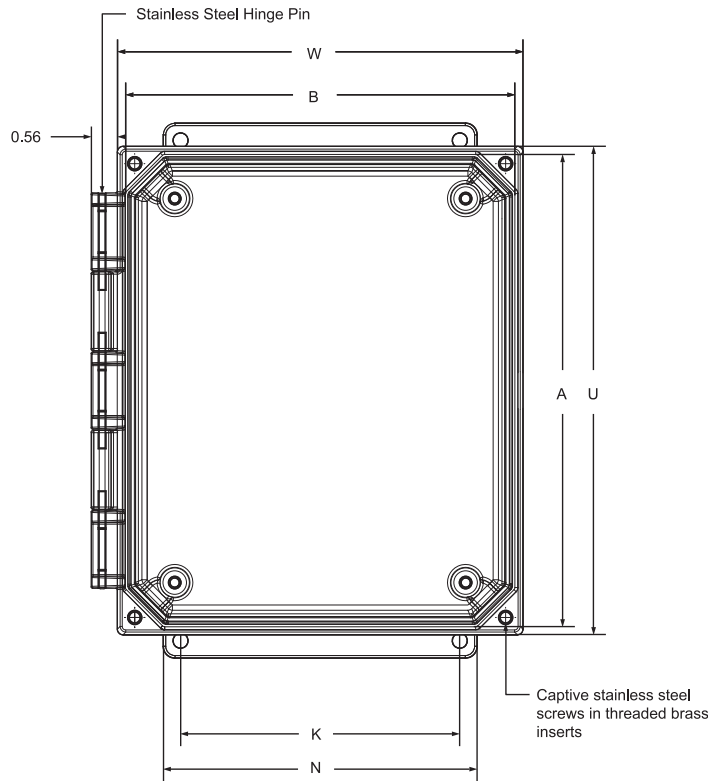
Hinged Screw Cover Flange Part No.	Hinged Screw Cover Feet Part No.	Overall Dimensions			Panel Size			Panel Centers		Flange Mounting Centers		
		A	B	C	D	E	F	S	Z	L	K	M
PJU664HF	PJU664H	6.05	6.27	4.13	4.88	4.88	4.11	4.25	4.25	6.88 / 6.75	4.05	7.62
PJU864HF	PJU864H	8.05	6.27	4.13	6.75	4.88	4.11	6.25	4.25	8.88 / 8.75	4.00	9.62
PJU1084HF	PJU1084H	10.05	8.27	4.13	8.75	6.88	4.11	10.25	6.25	10.75	6.00	11.50
PJU12106HF	PJU12106H	12.05	10.27	6.13	10.75	8.88	6.11	10.25	8.25	12.75	8.00	13.50
PJU14126HF	PJU14126H	14.05	12.27	6.13	12.75	10.88	6.11	12.25	10.25	14.75 / 14.62	10.00	15.37
PJU16148HF	PJU16148H	16.05	14.27	8.13	14.75	12.88	8.11	14.25	12.25	16.75	12.00	17.50
PJU181610HF	PJU181610H	18.30	16.52	10.13	16.88	14.88	10.11	16.25	14.25	18.88 / 18.76	12.00	20.12
PJU201610HF	PJU201610H	20.50	16.27	10.13	18.44	14.44	10.11	17.81	13.81	21.25	10.00	21.50

Technical references and CAD downloads available at www.hammondmfg.com

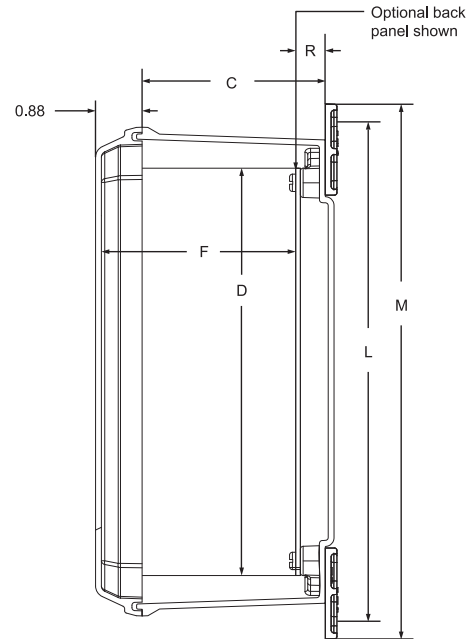
All dimensions in inches unless specified otherwise

Polyester Modular Enclosures - NEMA 4X

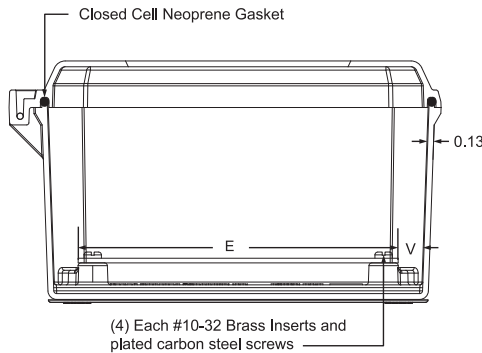
PJU Series - Hinged Screw Cover, Solid and Window Door



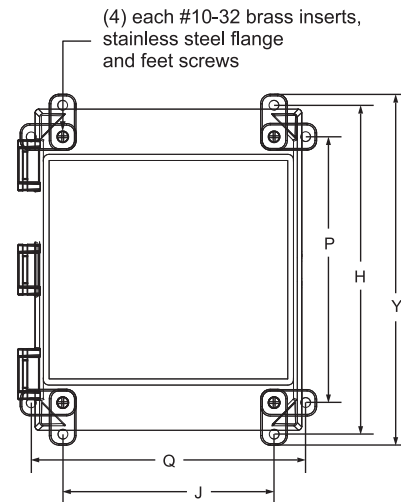
Front View



Side View



End View



Rear View

Hinged Screw Clear Cover Flange Part No.	Hinged Screw Clear Cover Feet Part No.	N	H	J	P	Q	U	W	Y	R	V	Optional Panel Part No.	Shipping Weight (lbs)
PJU664CCHF	PJU664CCH	4.80	6.75	4.91	4.69	6.97	6.50	6.72	7.47	0.70	0.52	14R0505	4
PJU864CCHF	PJU864CCH	4.75	8.75	4.91	6.69	6.97	8.50	6.72	9.46	0.70	0.62	14R0705	4
PJU1084CCHF	PJU1084CCH	6.75	10.75	6.91	8.69	8.97	10.50	8.72	11.47	0.70	0.53	14R0907	6
PJU12106CCHF	PJU12106CCH	8.75	12.70	8.82	10.64	10.88	12.50	10.72	13.47	0.68	0.44	14R1109	6
PJU14126CCHF	PJU14126CCH	10.75	14.70	10.82	12.64	12.88	14.50	12.72	15.37	0.70	0.46	14R1311	8
PJU16148CCHF	PJU16148CCH	12.75	16.91	11.47	13.50	14.88	16.50	14.72	17.50	0.70	0.40	14R1513	11
N/A	N/A	12.75	19.16	13.72	15.75	17.13	18.75	16.97	19.89	0.70	0.45	P1868	12
N/A	N/A	12.75	20.53	13.16	17.13	16.56	20.50	16.72	21.28	0.70	0.50	P2068	17

For aluminum and fiberglass panels...see page 138.

Technical references and CAD downloads available at www.hammondmfg.com

All dimensions in inches unless specified otherwise

Quality Products. Service Excellence.

Polyester Modular Enclosures - NEMA 4X

PJU Series - Enclosure with Viewing

Application

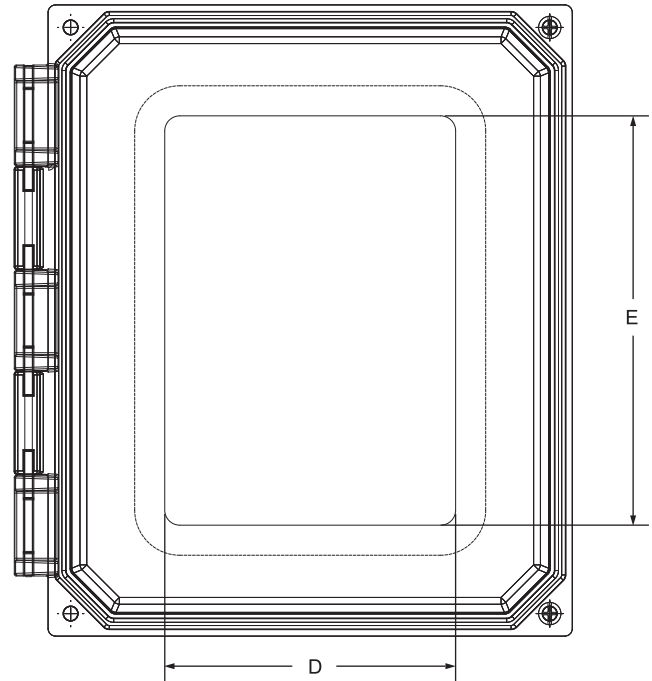
- Designed for use as instrument enclosures, electric, hydraulic or pneumatic control housings, electrical junction boxes or terminal wiring enclosures.
- Provides outstanding insulation and protection where equipment may be hosed down or be very wet.
- Ideal in applications with high temperatures or highly corrosive environments.

Panel Sold Separately



Standards

- UL 508 Type 1, 2, 3, 4, 4X, 12 and 13
- CSA Type 1, 2, 3, 4, 4X, 12 and 13
- Complies with
 - NEMA Type 1, 2, 3, 4, 4X, 12 and 13
 - IEC 60529, IP66



- High UV resistant Polycarbonate Viewing Window
- Factory installed
- Maintains Nema 4X ratings

Corrosion Resistant

Wallmount Enclosures

Part No.	Overall Dimensions			Viewing Window	
	Height	Width	Depth	D	E
PJU664*	6.05	6.27	4.13	3.50	3.50
PJU864*	8.05	6.27	4.13	4.00	5.25
PJU1084*	10.05	8.27	4.13	4.25	6.25
PJU12106*	12.05	10.27	6.13	6.50	8.38
PJU14126*	14.05	12.27	6.13	8.50	10.38
PJU16148*	16.05	14.27	8.13	10.50	12.38
PJU181610*	18.30	16.52	10.13	11.00	13.00
PJU201610*	20.50	16.27	10.13	12.00	14.00

* see chart below for full part number & latch including mounting feet

Lift-Off Viewing Window Flange	Lift-Off Viewing Window Feet	Hinged Screw Cover Viewing Window Flange	Hinged Screw Cover Viewing Window Feet	Hinged Snap Latch Viewing Window Flange	Hinged Snap Latch Viewing Window Feet	Hinged Twist Latch Viewing Window Flange	Hinged Twist Latch Viewing Window Feet
PJU664WF	PJU664W	PJU664HWF	PJU664HW	PJU664LWF	PJU664LW	PJU664TWF	PJU664TW
PJU864WF	PJU864W	PJU864HWF	PJU864HW	PJU864LWF	PJU864LW	PJU864TWF	PJU864TW
PJU1084WF	PJU1084W	PJU1084HWF	PJU1084HW	PJU1084LWF	PJU1084LW	PJU1084TWF	PJU1084TW
PJU12106WF	PJU12106W	PJU12106HWF	PJU12106HW	PJU12106LWF	PJU12106LW	PJU12106TWF	PJU12106TW
PJU14126WF	PJU14126W	PJU14126HWF	PJU14126HW	PJU14126LWF	PJU14126LW	PJU14126TWF	PJU14126TW
PJU16148WF	PJU16148W	PJU16148HWF	PJU16148HW	PJU16148LWF	PJU16148LW	PJU16148TWF	PJU16148TW
PJU181610WF	PJU181610W	PJU181610HWF	PJU181610HW	PJU181610LWF	PJU181610LW	PJU181610TWF	PJU181610TW
PJU201610WF	PJU201610W	PJU201610HWF	PJU201610HW	PJU201610LWF	PJU201610LW	PJU201610TWF	PJU201610TW

Technical references and CAD downloads available at www.hammondmfg.com

All dimensions in inches unless specified otherwise

Polyester Modular Enclosures - NEMA 4X

PJ Accessories

PJ Series Inner Panel

- 14 gauge steel panels are finished in white baked powder coating.
- Aluminum panels are 0.080" (2.03 mm) type 5052 H-32 aluminum, unpainted. A2420 and larger panels are 0.125".
- Fiberglass inner panels are Finished in white
- Hardware to mount inner panel is included with PJ Series Enclosures.

Steel Part No.	Aluminum Part No.	Fiberglass Part No.	Fiberglass Thickness	Panel		For Use With PJ Series	
				Length	Width	A	B
14R0505	14A0505	14F0505	0.125	4.88	4.88	6.10	6.10
14R0705	14A0705	14F0705	0.125	6.75	4.88	8.00	6.13
14R0907	14A0907	14F0907	0.125	8.75	6.88	10.14	8.26
14R1109	14A1109	14F1109	0.125	10.75	8.88	12.14	10.26
14R1311	14A1311	14F1311	0.187	12.75	10.88	14.13	12.25
14R1513	14A1513	14F1513	0.187	14.75	12.88	16.28	14.40
P1868	A1868	F1868	0.187	16.88	14.88	18.40	16.40
P2068	A2068	F2068	0.250	18.44	14.44	20.00	16.00
18P2117	A2420	F2420	0.250	21.00	17.00	24.00	20.00
18P2121	A2424	F2424	0.250	21.00	21.00	24.00	24.00
18P2721	A3024	F3024	0.250	27.00	21.00	30.00	24.00

Moulded Polycarbonate Flange For PJU Series (sold in Pairs)



Part No.	PJU Flange Fits
PJFPUWM6	6x6, 8x6
PJFPUWM108	10x8
PJFPUWM1210	12x10
PJFPUWM1412	14x12
PJFPUWM1614	16x14
PJFPUWM1816	18x16
PJFPUWM2016	20x16

Moulded Polycarbonate Feet For PJU Series (sold in sets of 4)



Part No.	PJU Feet Fits
PJW4NUFS	6x6 through 14x12
PJW4NULFS	16x14 through 20x16

Stainless Mounting Feet For PJ Series (sold in sets of 4)



Part No.	304 SS PJ Feet Fits
PJW4NFS	6x6 through 20x16
PJW4NLS	24x20 through 30x24

PJ/PJU Series Swing Panel



Use with PJ Series Raised Lid Enclosures

Part No.	Panel Dimensions	
	Height	Width
PJSP108	9.50	7.50
PJSP1210	11.50	9.50
PJSP1412	13.50	11.50
PJSP1614	15.13	13.00
PJSP1816	17.25	15.38
PJSP2016	18.88	14.94
PJSP2420	23.25	19.38
PJSP2424	23.38	23.25
PJSP3024	29.25	23.38

Use with PJU Series Enclosures

Part No.	Panel Dimensions	
	Height	Width
PJSPU108	9.64	7.87
PJSPU1210	11.64	9.86
PJSPU1412	13.64	11.86
PJSPU1614	15.64	13.86
PJSPU1816	17.90	15.99
PJSPU2016	19.65	15.55

- Hinged aluminum panel.
- Mounts at front of enclosure body.
- Field installed with no drilling required.

Technical references and CAD downloads available at www.hammondmfg.com

All dimensions in inches unless specified otherwise

Quality Products. Service Excellence.

Polyester Enclosures - NEMA 4X

PJW Series - Continuous Hinge Wallmount



Panel
Sold
Separately



Corrosion Resistant Wallmount Enclosures

Application

- Designed for use as instrument enclosures, electric, hydraulic or pneumatic control housings, electrical junction boxes or terminal wiring enclosures.
- Provides outstanding insulation and protection where equipment may be hosed down or be very wet.
- Ideal in applications with high temperatures or highly corrosive environments.

Standards

- UL/cUL 508 Type 1, 2, 3, 4, 4X, 12 and 13
- CSA Type 1, 2, 3, 4, 4X, 12 and 13
- **Complies with**
 - NEMA Type 1, 2, 3, 4, 4X, 12 and 13
 - IEC 60529, IP66

Construction

- Molded fiberglass polyester enclosure with matching cover is easily punched, cut, or drilled.
- Enhanced UV inhibitors protect against outdoor weathering.
- 3/8 collar studs are provided for optional inner panel mounting, hardware included.
- Stainless steel butterfly type "twist latch" door fasteners with padlock provision.
- Captive oil resistant gasket provides a positive seal.
- Integrated mounting flange.
- Operating temperatures between 130°C and -40°C (266°F to -40°F).
- Impact index of 6.78J (5 ft/lb).
- For corrosion resistance information, please refer to table in the Technical Information section.

Finish

- Fiberglass polyester material has a gray finish.
- Optional inner panels are available in white powder coated finished steel.

Accessories

- Painted steel inner panels
...see next page
- Terminal kit assemblies
...see page 441

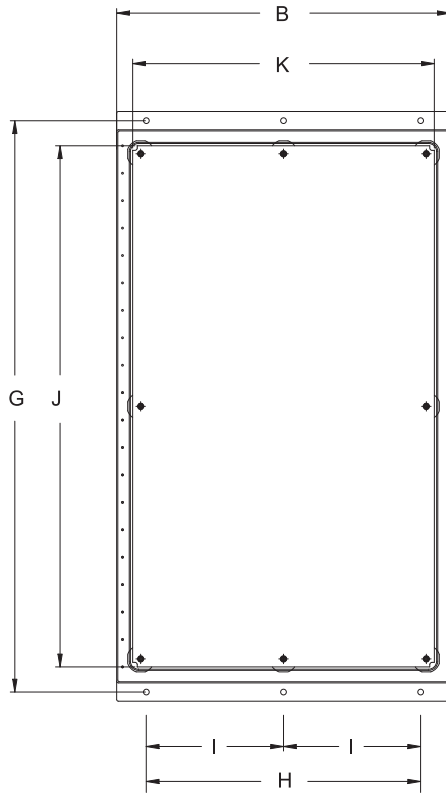
Part No.	Dimensions						Mounting Centers					
	A	B	C	D	E	F	G	H	I	J	K	
PJW363010L	36.25	30.25	10.13	40.50	30.50	12.00	38.50	24.00	12.00	33.88	27.88	
PJW363014L	36.25	30.25	14.13	40.50	30.50	16.00	38.50	24.00	12.00	33.88	27.88	
PJW363610L	36.25	36.25	10.13	40.50	36.50	12.00	38.50	30.00	15.00	33.88	33.88	
PJW363614L	36.25	36.25	14.13	40.50	36.50	16.00	38.50	30.00	15.00	33.88	33.88	
PJW483610L	48.25	36.25	10.13	52.50	36.50	12.00	50.50	30.00	15.00	45.38	33.88	
PJW483614L	48.25	36.25	14.13	52.50	36.50	16.00	50.50	30.00	15.00	45.38	33.88	
PJW603610L	60.25	36.25	10.13	64.50	36.50	12.00	62.50	30.00	15.00	57.38	33.88	
PJW603614L	60.25	36.25	14.13	64.50	36.50	16.00	62.50	30.00	15.00	57.38	33.88	

Technical references and CAD downloads available at www.hammondmfg.com

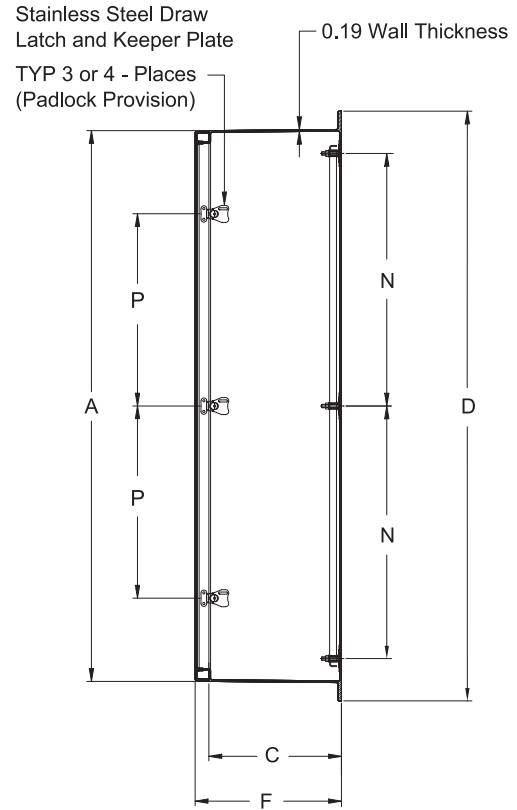
All dimensions in inches unless specified otherwise

Polyester Enclosures - NEMA 4X

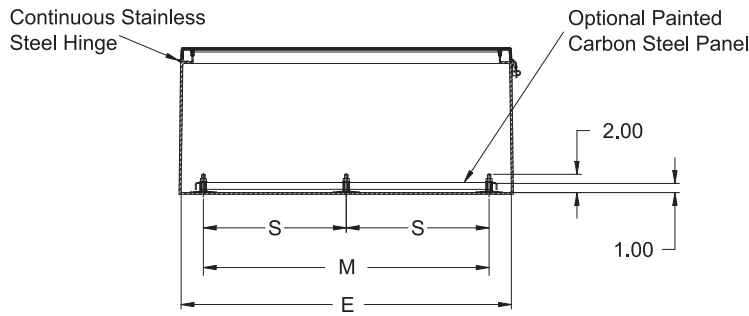
PJW Series - Continuous Hinge Wallmount



Front View



Side View



End View

Stainless Steel Draw Latch and Keeper Plate
TYP 3 or 4 - Places (Padlock Provision)

0.19 Wall Thickness

Corrosion Resistant

Wallmount Enclosures

Part No.	M	N	S	P	# of Latches	# of Panel Mount Studs	Panel Size Height	Panel Size Width	Optional Panel Part No.	Ship Weight (lbs)
PJW363010L	25.25	15.63	12.63	12.13	3	6	33	27	18P3327	59
PJW363014L	25.25	15.63	12.63	12.13	3	6	33	27	18P3327	64
PJW363610L	31.25	15.63	15.63	12.13	3	8	33	33	18P3333	72
PJW363614L	31.25	15.63	15.63	12.13	3	8	33	33	18P3333	77
PJW483610L	31.25	21.63	15.63	18.13	3	8	45	33	18P4533	83
PJW483614L	31.25	21.63	15.63	18.13	3	8	45	33	18P4533	91
PJW603610L	31.25	27.63	15.63	16.00	4	8	57	33	18P5733	101
PJW603614L	31.25	27.63	15.63	16.00	4	8	57	33	18P5733	122

Technical references and CAD downloads available at www.hammondmfg.com

All dimensions in inches unless specified otherwise

Quality Products. Service Excellence.

Polyester Enclosures - NEMA 4X

PJFS Series - Continuous Hinge Freestanding



**Panel
Sold
Separately**



Corrosion Resistant Freestanding Enclosures

Application

- Designed for use as instrument enclosures, electric, hydraulic or pneumatic control housings, electrical junction boxes or terminal wiring enclosures.
- Provides outstanding insulation and protection where equipment may be hosed down or be very wet.
- Ideal in applications with high temperatures or highly corrosive environments.

Standards

- UL/cUL 508 Type 1, 2, 3, 4, 4X, 12 and 13
- CSA Type 1, 2, 3, 4, 4X, 12 and 13
- **Complies with**
 - NEMA Type 1, 2, 3, 4, 4X, 12 and 13
 - IEC 60529, IP66

Construction

- Fiberglass polyester enclosure with matching door is easily punched, cut, or drilled.
- Enhanced UV inhibitors protect against outdoor weathering.
- Collar Studs are provided for optional inner panel.
- Mounting hardware included.
- Heavy duty continuous 304 SS Hinge.
- Flexible self-gripping gasket compresses over flange for tight seal.
- 3-point SS handle with pad lock provision.
- Molded in drip shield
- Fiberglass mounting strut side walls on double door unit.
- Operating temperatures between 130°C and -40°C (266°F to -40°F).
- Impact index of 6.78J (5 ft/lb).
- For corrosion resistance information, please refer to table in the Technical Information section.

Finish

- Fiberglass polyester material has a gray finish.
- Optional inner panels are available in white powder coated finished steel.

Single Door

Part Number	Height	Width	Depth	Ship Wt (lbs)
PJFS722525	72.0	25.0	24.5	215

Double Door

Part Number	Height	Width	Depth	Ship Wt (lbs)
PJFS724925DD	72.0	48.0	24.5	430

Inner Panel - Painted Steel - Qty 1 Required

Part Number	Height	Width	Finish
18P5721	57.0	21.0	White

Inner Panel - Painted Steel - Qty 2 Required

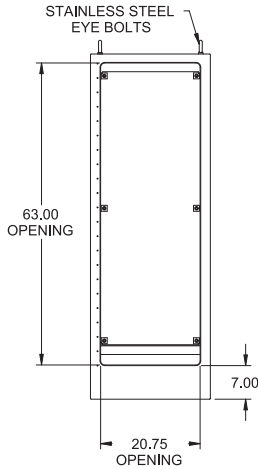
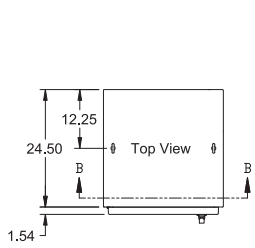
Part Number	Height	Width	Finish
18P5721	57.0	21.0	White

Technical references and CAD downloads available at www.hammondmfg.com

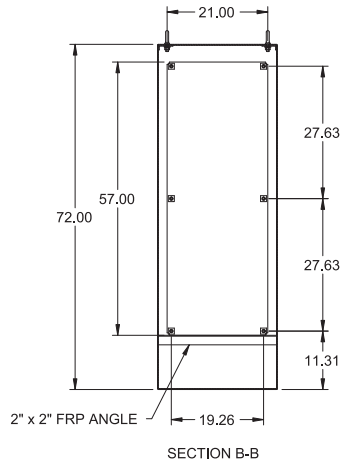
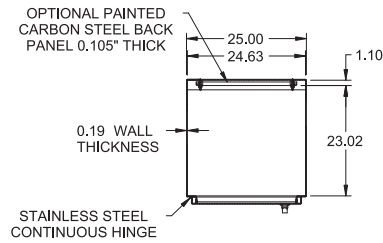
All dimensions in inches unless specified otherwise

Polyester Enclosures - NEMA 4X

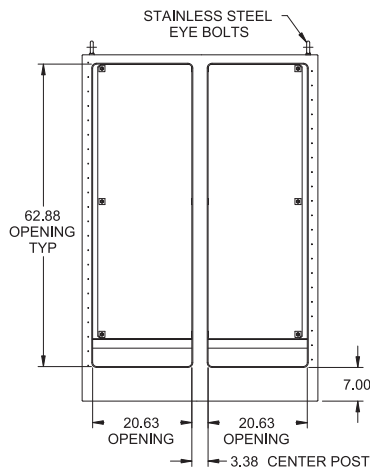
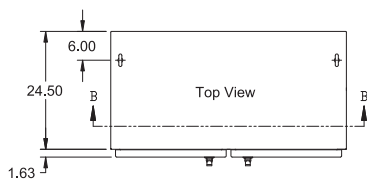
PJFS Series - Continuous Hinge Freestanding



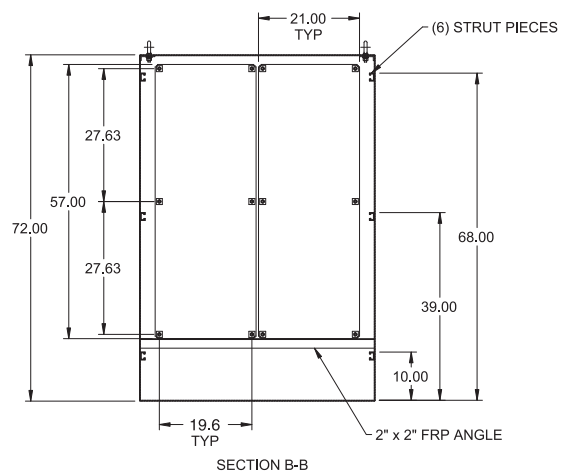
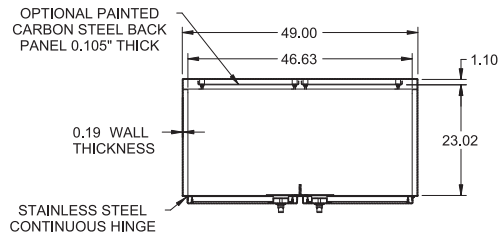
**Front View
(with Single Door Open)**



Internal View



**Front View
(with Double Doors Open)**



Internal View

Technical references and CAD downloads available at www.hammondmfg.com

All dimensions in inches unless specified otherwise

Quality Products. Service Excellence.

Polyester Modular Enclosures - NEMA 4X

PHW Series - Heavy Duty Wallmount Enclosures



Panel
Sold
Separately



Corrosion Resistant

Wallmount Enclosures

Application

- These enclosures are specially designed to accommodate electrical, electronic, instrumentation and mechanical controls indoors and outdoors.
- For use where corrosion resistant watertight enclosures are needed to provide protection against windblown dust and rain, splashing and hose directed water.

Standards

- UL 508 1, 3, 3R, 4, 4X, 12
- CSA 1, 3, 3R, 4, 4X, 12
- **Complies with**
 - NEMA 1, 3, 3R, 4, 4X, 12
 - IEC 60529, IP 66

Construction

- Compression molded, fiberglass reinforced polyester.
- Memory retaining, continuous door gasket standard.
- Molded in panel mounting inserts (except where noted).
- Integral mounting feet.
- Stainless steel hardware.
- Padlocking provision.
- Stainless steel butterfly type "twist latch" door fasteners.
- Door is supported with a continuous hinge.
- For corrosion resistance information, please refer to table in the Technical Information section.

Finish

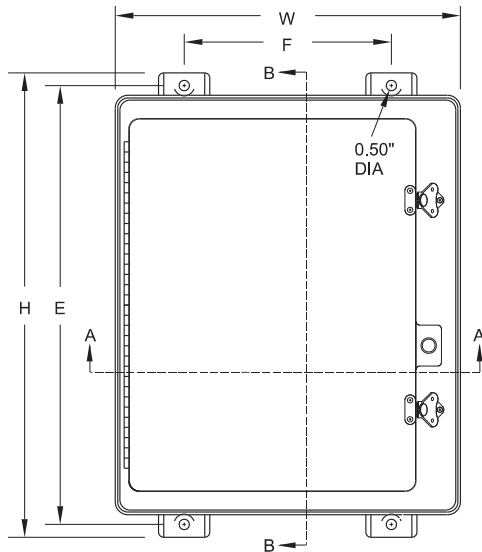
- Fiberglass reinforced material is finished in light gray.

Accessories

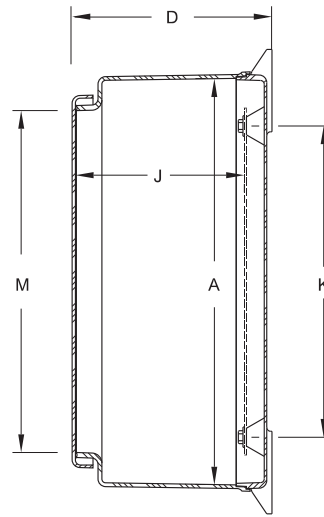
- Inner Panels

Polyester Modular Enclosures - NEMA 4X

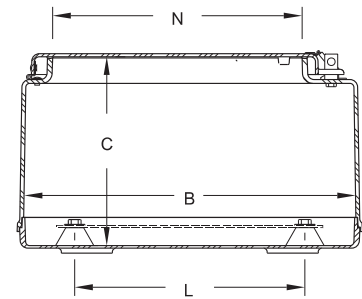
PHW Series - Heavy Duty Wallmount Enclosures



Front View



Section B-B



Section A-A

Part No.	Overall Dimensions			Inside Dimensions			Mtg. Centers			Enclosure Opening		Optional Panel Part No.	Ship Wt. lbs		
	H	W	D	A	B	C	E	F	J	K	L			M	N
PHW20166	inch 22.75 mm 578	16.87 429	7.77 197	19.70 500	16.04 407	7.24 184	21.50 546	10.12 257	6.26 159	15.25 387	11.25 286	16.75 425	12.19 310	18P1713	17
PHW20168	inch 22.75 mm 578	16.87 429	9.77 248	19.70 500	16.04 407	9.24 235	21.50 546	10.12 257	8.26 210	15.25 387	11.25 286	16.75 425	12.19 310	18P1713	22
PHW201610	inch 22.75 mm 578	16.87 429	11.77 299	19.70 500	16.04 407	11.24 286	21.50 546	10.12 257	10.26 261	15.25 387	11.25 286	16.75 425	12.19 310	18P1713	23
PHW201612	inch 22.75 mm 578	16.87 429	13.77 350	19.70 500	16.04 407	13.24 336	21.50 546	10.12 257	12.26 312	15.25 387	11.25 286	16.75 425	12.19 310	18P1713	24
PHW241210	inch 26.95 mm 685	13.72 348	11.99 304	24.00 610	12.87 327	11.33 288	25.75 654	6.25 159	10.33 262	19.25 489	7.25 184	21.00 533	8.37 213	18P2109	25
PHW24208	inch 27.00 mm 686	21.24 539	9.90 252	24.05 611	20.39 518	9.25 235	25.75 654	14.00 356	8.25 209	19.25 489	15.25 387	21.25 540	16.00 406	18P2117	32
PHW242410	inch 27.00 mm 686	25.25 641	11.90 302	24.05 611	24.39 619	11.25 286	25.75 654	17.87 454	10.25 260	19.25 489	19.25 489	21.25 540	20.00 508	18P2121	42
PHW30208	inch 32.86 mm 835	20.99 533	9.89 251	29.90 760	20.14 511	9.23 234	31.75 806	14.25 362	8.23 209	25.25 641	15.25 387	27.00 686	16.50 419	18P2717	36
PHW302010	inch 32.86 mm 835	20.99 533	11.89 302	29.90 760	20.14 511	11.23 285	31.75 806	14.25 362	10.23 260	25.25 641	15.25 387	27.00 686	16.50 419	18P2717	39
PHW30247	inch 33.41 mm 849	26.32 668	8.81 224	30.46 774	25.47 647	8.12 206	32.25 819	18.50 470	7.12 181	25.25 641	19.25 489	27.38 695	21.25 540	18P2721	45
PHW302410	inch 33.41 mm 849	26.32 668	11.95 304	30.46 774	25.47 647	11.27 286	32.25 819	18.50 470	10.27 261	25.25 641	19.25 489	27.38 695	21.25 540	18P2721	50
PHW302412	inch 33.41 mm 849	26.32 668	13.79 350	30.46 774	25.47 647	13.10 333	32.25 819	18.50 470	12.1 307	25.25 641	19.25 489	27.38 695	21.25 540	18P2721	54
PHW363010	inch 39.31 mm 999	32.50 826	12.05 306	36.31 922	31.69 805	11.36 289	38.13 968	23.88 606	10.36 263	31.25 794	25.25 641	33.25 845	27.25 692	18P3327	78
PHW363012	inch 39.31 mm 999	32.50 826	14.05 357	36.31 922	31.69 805	13.36 339	38.13 968	23.88 606	12.36 314	31.25 794	25.25 641	33.25 845	27.25 692	18P3327	81
PHW483616	inch 51.29 mm 1303	36.62 930	17.93 456	48.33 1228	36.22 920	17.25 438	50.12 1273	29.25 743	16.25 413	43.25 1099	31.25 794	45.25 1149	32.00 813	18P4533	108
PHW603616	inch 63.50 mm 1613	36.50 927	18.12 460	60.13 1527	36.13 918	17.44 443	62.25 1581	28.50 724	16.44 418	53.06 1348	31 787	55.75 1416	32.00 813	18P5733	155

Inches are for reference only. Use metric for precise measurements.

Technical references and CAD downloads available at www.hammondmfg.com

All dimensions in inches unless specified otherwise

Quality Products. Service Excellence.

Disconnect

Disconnect Enclosures

Disconnect



1447S Single Door Disconnect Enclosures -
NEMA 12, 13 **147**



EN4DSC Disconnect Enclosures -
NEMA 4 **151**



1447SN4 Single Door Disconnect Enclosures -
NEMA 4 **153**



EN4DSC 304 Stainless Steel
Disconnect Enclosures -
NEMA 4, 4X **155**



1447SN4SS 304 Stainless Steel
Disconnect Enclosures -
NEMA 4, 4X **157**



2UD Two Door Wallmount
Disconnect Enclosures -
NEMA 12 **161**



2UDF Two Door Floormount
Disconnect Enclosures -
NEMA 12 **163**



2UDCP Two Door Floormount
Disconnect Enclosures -
NEMA 12 **165**



UHD Heavy Duty Disconnect Enclosures -
NEMA 12 **169-175**



UHDM Modular Disconnect Enclosures -
NEMA 12 **177-182**

Modular Enclosures



Modular Freestanding Enclosures -
HFMD/HFMDT Series Disconnect Enclosure
NEMA 12 **189**

1447S Single Door Disconnect Enclosures - NEMA 12, 13

ABB Controls, Allen Bradley, Cutler Hammer, General Electric, Siemens I-T-E Max-Flex™, Square D

Disconnect



Cutout Detail



Wallmount Enclosures

Application

Designed to house the following safety disconnect equipment:

- **ABB Controls** flange-mounted variable depth operating mechanism for disconnect switches and circuit breakers. Also cable version for circuit breakers.
- **Allen Bradley** 1494V variable depth flange mounted disconnect switches and circuit breaker operators. Will not accept Allen Bradley 1494F disconnect switches, 1494D circuit breaker operators.
- **C-H Westinghouse** C361 flange mounted variable depth operating mechanism with disconnect switches and C371 flange mounted variable depth operating mechanisms for circuit breakers. Also Flex-Shaft™ handle mechanisms for circuit breakers.
- **General Electric** Type STDA flange handles and variable depth operating mechanism for disconnect switches and circuit breakers. Also SpectraFlex™ cable operators for circuit breakers.
- **Siemens I-T-E Max-Flex™** flange mounted variable depth handles for disconnect switches and circuit breakers.
- **Square D** class 9422 disconnect switches with flange mounted variable depth operating mechanisms or cable mechanisms and Class 9422 flange-mounted variable depth operating mechanisms or cable mechanisms for circuit breakers. Will not accept Square D Class 9422 bracket-mounted disconnect devices, 9422TG1 or TG2 devices.

Standards

- UL 508 Type 12, 13
- CSA Type 12, 13
- **Complies with**
 - NEMA Type 12 and 13
 - JIC EGP-1-1967
 - IEC 60529, IP54
- Appropriate components are required to maintain these standards.

Construction

- Formed 14-gauge steel.
- Continuously welded seams.
- Larger sizes include door and body stiffeners.
- Welded brackets provide for enclosure mounting.
- Formed lip on door and enclosure exclude flowing liquids and contaminants.
- Cutouts and holes are provided to suit the handle, operating mechanism and door closing mechanism.
- Continuously hinged doors may be removed by pulling the hinge pin.
- Latch pivots and cover interlock brackets are welded to the door.
- Cover latch bars for door handles are provided.
- Collar studs are provided for mounting inner panels.
- A removable 12 gauge inner panel is included.
- Oil resistant gaskets are permanently secured and mechanically retained.
- A bonding stud is provided on the door and a grounding stud is provided in the enclosure.
- A literature pocket is provided.

Note:

- Disconnects, operating mechanisms and door hardware are not provided with the enclosure, and must be ordered separately from the manufacturer.
- Enclosures with an "A" dimension under 40" require 2 point door closing hardware.
- Enclosures with an "A" dimension 40" or more require 3 point door closing hardware.

Finish

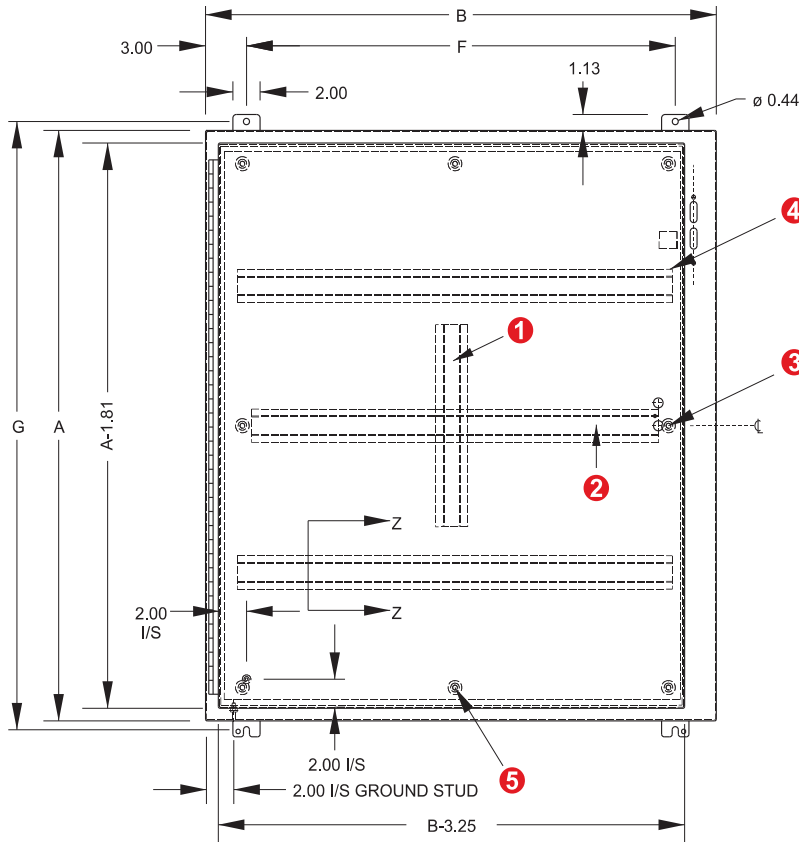
- Door and enclosure are phosphatized and finished in ANSI 61 gray recoatable powder coating on the outside.
- Enclosure interior is finished in white powder coating.
- Inner panel is finished in white powder coating.

Accessories

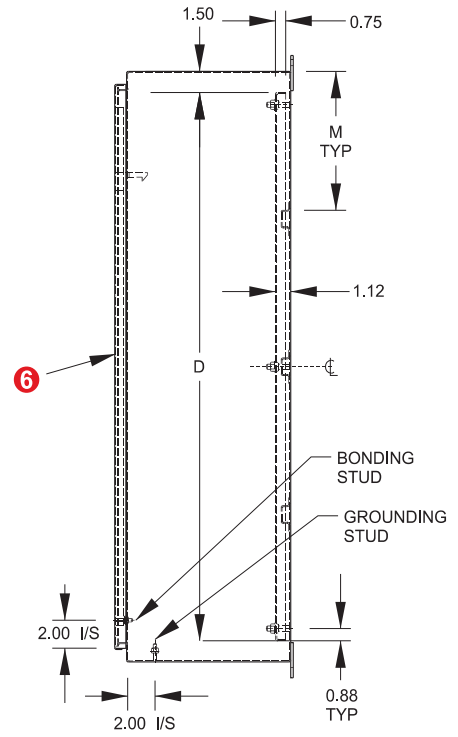
- Additional inner panels
...see page **436**
- Air conditioners...see page **349-367**
- Blowers...see page **392**
- Breather kits...see page **400-401**
- Doorstop kits...see page **453**
- Drip shield kits...see page **451**
- Enclosure stabilizers...see page **456**
- Filter fans...see page **371-384**
- Floor stand kits...see page **393-396**
- Heaters...see page **397**
- Thermostats...see page **397**
- Window kits...see page **449**

1447S Single Door Disconnect Enclosures - NEMA 12, 13

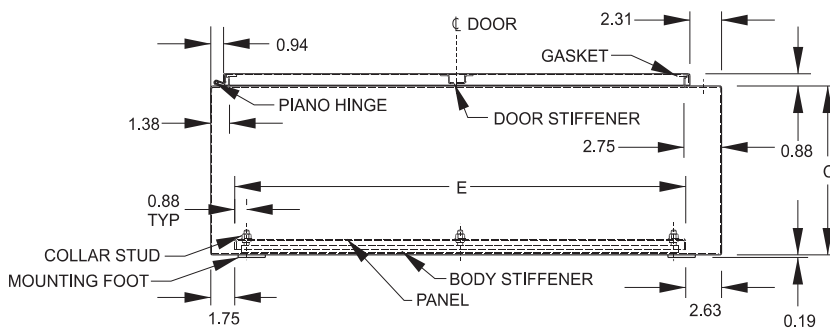
ABB Controls, Allen Bradley, Cutler Hammer, General Electric, Siemens I-T-E Max-Flex™, Square D



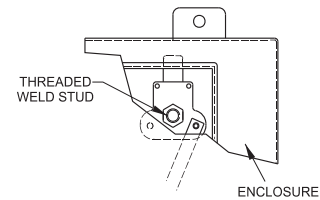
Front View



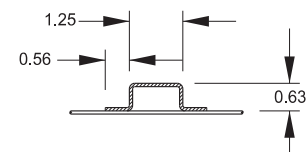
Side View



Top View



Closing Mechanism
Catches top of enclosure only



Section Z-Z

When A=	M=
36	9.00
42	9.88
48	11.38
60	14.38

- 1 Vertical body stiffener req'd on 1447SG only.
- 2 Omit center body stiffener if A is less than 41".
- 3 Omit 2 middle studs if A is less than 31".
- 4 Omit body stiffeners if B is 28" or less.
- 5 Omit 2 middle studs if B is less than 32".
- 6 Omit door stiffener if B is 32" or less except if AxB is 42"x31.38".

1447S Single Door Disconnect Enclosures - NEMA 12, 13

ABB Controls, Allen Bradley, Cutler Hammer, General Electric, Siemens I-T-E Max-Flex™, Square D

Disconnect
Wallmount Enclosures

Part No.	Panel Size					Mounting Center		Ship Wt. lbs	Center Stiffener ²
	A	B	C	D	E	F	G		
1447SA8	20	21.38	8	17	17	15.38	21.25	51	N
1447SB8	24	21.38	8	21	17	15.38	25.25	60	N
1447SC8	24	25.38	8	21	21	19.38	25.25	71	N
1447SD8	30	21.38	8	27	17	15.38	31.25	74	N
1447SE8	30	25.38	8	27	21	19.38	31.25	87	N
1447SF8	36	25.38	8	33	21	19.38	37.25	98	N
1447SG8	36	31.38	8	33	27	25.38	37.25	121	N
1447SH8	42	31.38	8	39	27	25.38	43.25	135	I
1447SJ8	42	37.38	8	39	33	31.38	43.25	154	I
1447SK8	48	37.38	8	45	33	31.38	49.25	172	I
1447SL8	60	37.38	8	57	33	31.38	61.25	248	I
1447SA10	20	21.38	10	17	17	15.38	21.25	52	N
1447SB10	24	21.38	10	21	17	15.38	25.25	63	N
1447SC10	24	25.38	10	21	21	19.38	25.25	71	N
1447SD10	30	21.38	10	27	17	15.38	31.25	80	N
1447SE10	30	25.38	10	27	21	19.38	31.25	90	N
1447SF10	36	25.38	10	33	21	19.38	37.25	100	N
1447SG10	36	31.38	10	33	27	25.38	37.25	126	N
1447SH10	42	31.38	10	39	27	25.38	43.25	143	I
1447SJ10	42	37.38	10	39	33	31.38	43.25	193	I
1447SK10	48	37.38	10	45	33	31.38	49.25	180	I
1447SL10	60	37.38	10	57	33	31.38	61.25	255	I
1447SE12	30	25.38	12	27	21	19.38	31.25	100	N
1447SG12	36	31.38	12	33	27	25.38	37.25	130	N
1447SH12	42	31.38	12	39	27	25.38	43.25	150	I
1447SJ12	42	37.38	12	39	33	31.38	43.25	200	I
1447SK12	48	37.38	12	45	33	31.38	49.25	220	I
1447SL12	60	37.38	12	57	33	31.38	61.25	265	I
1447S46L12	60	37.38	12	57	34.5	31.38	61.25	265	I
1447SG16	36	31.38	16	33	27	25.38	37.25	150	N
1447SK16	48	37.38	16	45	33	31.38	49.25	200	I
1447SL16	60	37.38	16	57	33	31.38	61.25	265	I

² Center stiffener; N = Not Included I = Included

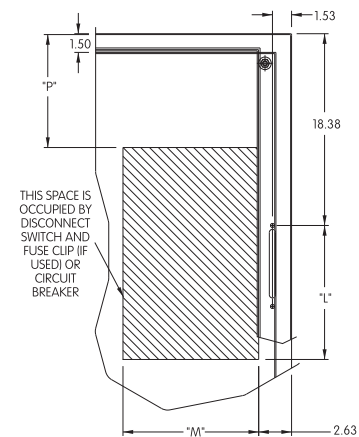
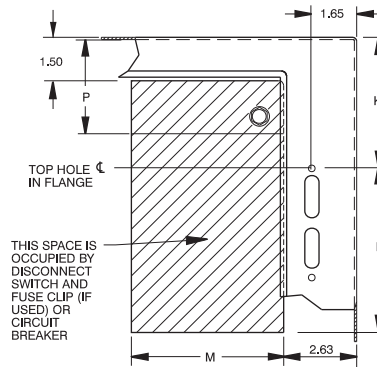
Space Occupied by Disconnect

Note: "K" = 4.75 when "C" = 8.00
 "K" = 7.09 when "C" = 10.00
 "K" = 11.62 when "C" = 12.00
 "K" = 11.62 when "C" = 16.00
 "K" = 18.38 for 1447S46L12
 "P" = Wiring Space

Disconnects will occupy space on panel shown by dimensions "K", "L" and "M".

Wiring space "P" is available when disconnect is installed in the enclosure.

*The disconnect information and space occupied tables based on data supplied by disconnect manufacturer's bulletins. Hammond Manufacturing not responsible for dimensional accuracy.



1447S46L12 only
1494V-H2 and ITE PHOHN
Operating Handle

1447S Single Door Disconnect Enclosures - NEMA 12, 13

Selection Guide

Disconnect
Walmount Enclosures

Hammond Series		1447S
ABB Controls	Disconnect Switch	Flange operated switch (fusible or non-fusible)
		Shaft: 8-12" dp enclosures, use DSFHS-12; 16" dp enclosures, use DSFHS-17 Handle: DSFHN-HS12
	Circuit Breaker	Door Hardware: 2 pt. Latching, use KDH2R; 3 pt. Latching, use KDH3R and FH-3RL Circuit breaker: ABB
		Operating Mechanism: see ABB chart Shaft: 8-12" dp enclosures, use K7FHD-S12; 16" dp enclosures, use K7FHD-S17 Handle: K7FHD-HS12 Door Hardware: 2 pt. Latching, use FH-DHK; 3 pt. Latching, use FH-DHK and FH-3RL
Allen Bradley	1494V Flange Disconnect Switch	Disconnect switch and operating mechanism: Bulletin 1494V Handle: Bulletin 1494V-H1 (except for Hammond part # 1447S46L12, use 1494V-H2) Connecting rod: 8-10" dp enclosures, use 1494V-RA1; 12-16" dp enclosures, use 1494V-RA2 (except for Hammond part # 1447S46L12, use 1494V-RB2 (2)) Trailer fuse block kit (if required): Bulletin 1494V Fuse kit (if required) Line and load connectors (if required) Door Hardware: 2 pt. Latching, use 1494V-L1; 3 pt. Latching, use 1494V-L2
		1494V Flange Circuit Breaker
	Type C361 Disconnect Switch	Disconnect switch and operating mechanism Handle: C361-H1 or H3 Door Hardware: 2 pt. Latching, use C361KJ4 or KJ6; 3 pt. Latching, use C361KJ4 or KJ6, and C361KR
		Type C371 Circuit Breaker
Cutler Hammer	C-H Westinghouse Circuit Breaker w/FlexShaft	Circuit breaker Complete Flex-Shaft handle mechanism Door Hardware: 2 pt. Latching, use C361KJ4 or KJ6; 3 pt. Latching, use C361KJ4 or KJ6, and C361KR
	General Electric	Type STDA Flange Disconnect Switch
Type STDA Flange Circuit Breaker		Circuit breaker Handle: STDA1 or STDA2 Variable depth operating mechanism Door Hardware: 2 pt. Latching, use TDV-1; 3 pt. Latching, use TDV-1 and TDV-3
Circuit Breaker w/SpectraFlex		Circuit breaker Flange Mt. Handle: 150-600 amp, use STDA1; SK1200, use STDA3 Breaker mounted mechanism. Operating cable Door Hardware: 2 pt. Latching, use TDV-1; 3 pt. Latching, use TDV-1 and TDV-3
I-T-E Siemens	Max-Flex Flange Disconnect Switch	Disconnect switch: MCS Fuse Kit (if required) Handle: Flange mount FHOHS Switch operator mechanism Operating cable (standard 36.0") Door Hardware: 2 pt. Latching, use DKR2; 3 pt. Latching, use DKR3
		Max-Flex Flange Circuit Breaker
	Class 9422 Disconnect Switch	Disconnect switch and operating mechanism 9422 Handle: Type A-1 Door Hardware: 2 pt. Latching, use 9423-M4 or M9; 3 pt. Latching, use 9423-M4 or M9, and 9423-M3
		Class 9422 Circuit Breaker
Square D	Class 9422 "T" Disconnect Switch w/ cable mechanism	Disconnect switch and operating mechanism 9422, Type T Handle: Type A-1 Cable mechanism: Class 9422 CFT_O - 3, 5, or 10 foot Door Hardware: 2 pt. Latching, use 9423-M4; 3 pt. Latching, use 9423-M4 or M9, and 9423-M3
	Circuit Breaker w/cable mechanism	Circuit breaker: Square D Handle: Type A-1 Door Hardware: 2 pt. Latching, use 9423-M4; 3 pt. Latching, use 9423-M4 or M9, and 9423-M3

 Technical references and CAD downloads available at www.hammondmfg.com

All dimensions in inches unless specified otherwise

Quality Products. Service Excellence.

EN4DSC Disconnect Enclosures - NEMA 4

ABB Controls, Allen Bradley, Cutler Hammer, General Electric, Siemens I-T-E Max-Flex™, Square D

Disconnect



Cutout Detail



Application

Designed to house the following safety disconnect equipment:

- **ABB Controls** flange mounted variable depth operating mechanisms for disconnect switches and circuit breakers. Cable version for circuit breakers also available.
- **Allen Bradley** 1494V variable depth flange mounted disconnect switches and circuit breaker operators NEMA 4 rated. Will not accept Allen Bradley 1494F disconnect switches, 1494D circuit breaker operators or 1494V-R1, -R2, or -W2 operating handles).
- **Cutler Hammer** C361 variable depth flange mounted disconnect switches and C371 circuit breaker operators. Also Flex-Shaft™ handle mechanisms for circuit breakers. Use Cutler Hammer NEMA 4X rated operating handles to maintain NEMA 4X integrity.
- **Siemens I-T-E Max-Flex™** flange mounted variable depth handles for disconnect switch and circuit breakers. Use handle for NEMA 4 rating.
- **General Electric** Type STDA flange handles and variable depth operating mechanisms for disconnect switches and circuit breakers. Also SpectraFlex™ cable operators for circuit breakers.
- **Square D** Class 9422 disconnect switches with flange mounted variable depth operating mechanisms or cable mechanisms and Class 9422 flange mounted variable depth operating mechanism or cable mechanisms for circuit breakers. SN4SS enclosures will not accept Square D Class 9422 bracket-mounted disconnect devices, 9422TG1 or TG2 devices.

Standards

- UL 508 Type 3R, 4
- CSA Type 3R, 4
- **Complies with**
 - NEMA Type 3R, 4, 12 and 13
 - JIC EGP-1-1967
 - IEC 60529, IP66
- Appropriate components are required to maintain these standards.

Construction

- Formed 14 or 16 gauge steel.
- Continuously welded seams.
- Larger sizes include door stiffeners.
- Formed lip on door and enclosure exclude flowing liquids and contaminants.
- Cutouts and holes are provided to suit the flange handle operating mechanism.
- Doors may be easily removed for modifications and are interchangeable.
- Door is secured with easily operated 2 or 3-point handle.
- Cover interlock bracket is welded to the door.
- Collar studs are provided for mounting inner panels.
- Removable inner panel is sold separately.
- Seamless poured-in place gasket.
- A bonding stud is provided on the door and a grounding stud is provided in the enclosure.
- Includes hardware kit with panel mounting nuts and sealing washers for wall mounting holes.

Note:

- Disconnects and operating mechanisms are not provided with the enclosure, and must be ordered separately from the manufacturer.

Finish

- Door and enclosure are finished in recoatable smooth ANSI 61 grey powder coating.

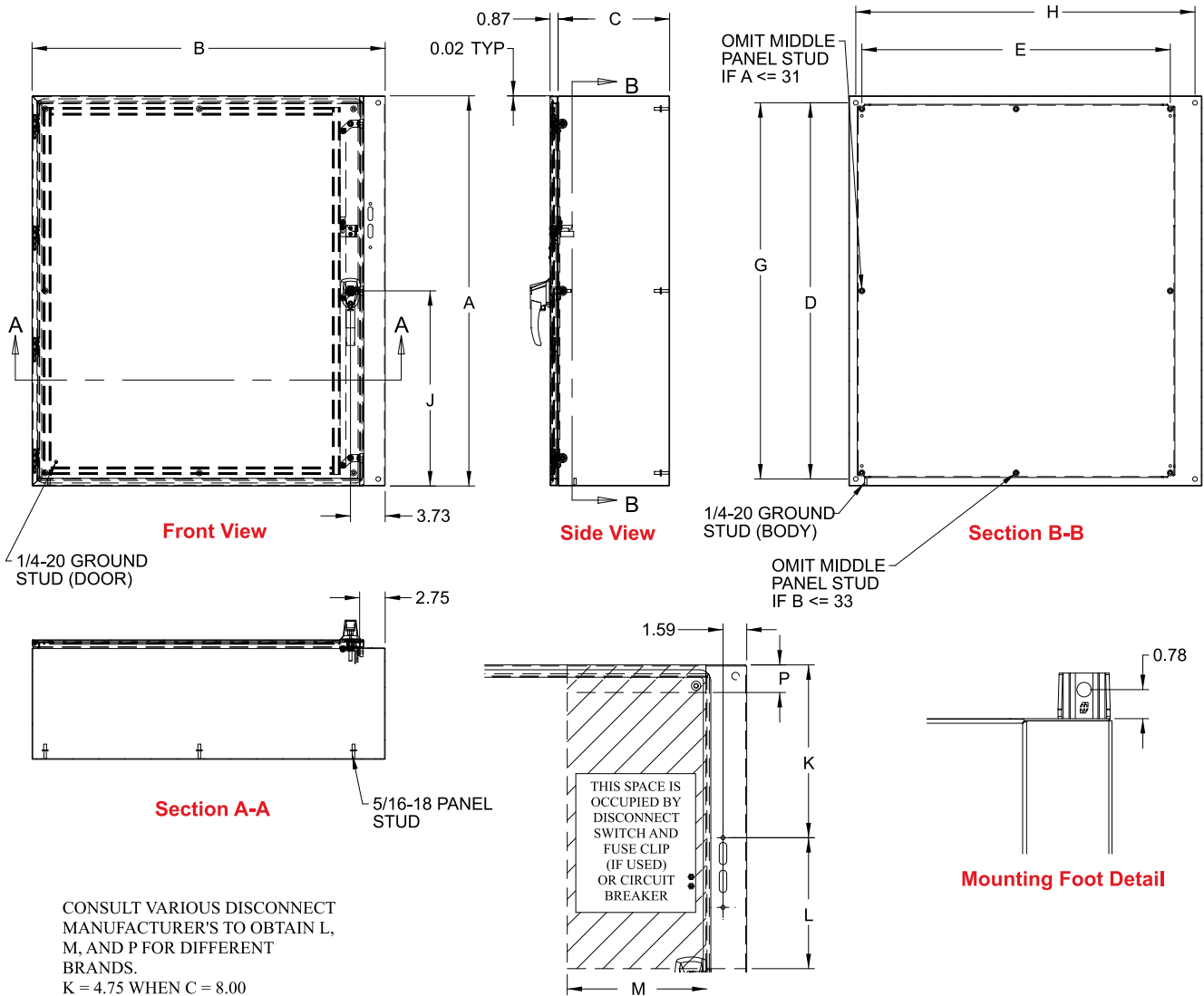
Accessories

- Additional inner panels...see page **437**
- Air conditioners...see page **349-367**
- Blowers...see page **392**
- Breather kits...see page **400-401**
- Doorstop kits...see page **453**
- Filter fans...see page **371-384**
- Heaters...see page **393-396**
- Mounting foot kit...see page **31**
- Thermostats...see page **397**
- Window kits...see page **449**

Wallmount Enclosures

EN4DSC Disconnect Enclosures - NEMA 4

ABB Controls, Allen Bradley, Cutler Hammer, General Electric, Siemens I-T-E Max-Flex™, Square D



CONSULT VARIOUS DISCONNECT MANUFACTURER'S TO OBTAIN L, M, AND P FOR DIFFERENT BRANDS.

K = 4.75 WHEN C = 8.00

K = 11.62 WHEN C = 12.00

P = WIRING BEND SPACE WHEN DISCONNECT IS INSTALLED IN ENCLOSURE

ORDER PANELS SEPERATELY
ALL PANELS ARE 12 GA.

Part No.	Enclosure Size A x B x C	Door Gauge	Body Gauge	Optional Panel Part No.	Panel Size D x E	Mounting G x H	Latches Qty	Latches Style	# Panel Studs	J
EN4DSC20228GY	20.00 x 22.00 x 8.00	14	16	EP2020	18.17 x 18.17	18.50 x 20.50	1	2-pt	4	5.00
EN4DSC24228GY	24.00 x 22.00 x 8.00	14	16	EP2420	22.17 x 18.17	22.50 x 20.50	1	2-pt	4	6.00
EN4DSC24268GY	24.00 x 26.00 x 8.00	14	16	EP2424	22.17 x 22.17	22.50 x 24.50	1	2-pt	4	6.00
EN4DSC30268GY	30.00 x 26.00 x 8.00	14	16	EP3024	28.17 x 22.17	28.50 x 24.50	1	2-pt	4	6.00
EN4DSC36268GY	36.00 x 26.00 x 8.00	14	16	EP3624	34.17 x 22.17	34.50 x 24.50	1	2-pt	6	6.00
EN4DSC36328GY	36.00 x 32.00 x 8.00	14	14	EP3630	34.17 x 28.17	34.50 x 30.50	1	2-pt	6	6.00
EN4DSC423212GY	42.00 x 32.00 x 12.00	14	14	EP4230	40.17 x 28.17	40.50 x 30.50	1	3-pt	6	21.00
EN4DSC423812GY	42.00 x 38.00 x 12.00	14	14	EP4236	40.17 x 34.17	40.50 x 36.50	1	3-pt	8	21.00
EN4DSC483812GY	48.00 x 38.00 x 12.00	14	14	EP4836	46.17 x 34.17	46.50 x 36.50	1	3-pt	8	24.00
EN4DSC603812GY	60.00 x 38.00 x 12.00	14	14	EP6036	58.17 x 34.17	58.50 x 36.50	1	3-pt	8	30.00

Technical references and CAD downloads available at www.hammondmfg.com

All dimensions in inches unless specified otherwise

Quality Products. Service Excellence.

1447SN4 Single Door Disconnect Enclosures - NEMA 4

ABB Controls, Allen Bradley, Cutler Hammer, General Electric, Siemens I-T-E Max-Flex™, Square D

Disconnect



Cutout Detail



Application

Designed to house the following safety disconnect equipment:

- **ABB Controls** flange-mounted variable depth operating mechanism for disconnect switches and circuit breakers. Cable version for circuit breakers also available.
- **Allen Bradley** 1494V variable depth flange mounted disconnect switches and circuit breaker operators NEMA 4 rated. Will not accept Allen Bradley 1494F disconnect switches, 1494D circuit breaker operators or 1494V-R1, -R2, or -W2 operating handles.
- **C-H Westinghouse** C361 variable depth flange mounted disconnect switches and C371 circuit breaker operators, and also Flex-Shaft™ handle mechanism for circuit breakers. Use Cutler Hammer NEMA 4 rated operating handles to maintain NEMA 4 integrity.
- **General Electric** Type STDA flange handles and variable depth operating mechanism for disconnect switches and circuit breakers. Also Spectra-Flex™ cable operators for circuit breakers.
- **Siemens I-T-E Max-Flex™** flange mounted variable depth handles for disconnect switches and circuit breakers. Use handle for NEMA 4.
- **Square D** class 9422 disconnect switches with flange-mounted variable depth operating mechanisms or cable mechanisms and Class 9422 flange-mounted variable depth operating mechanisms or cable mechanisms for circuit breakers. SN4 enclosures will not accept Square D Class 9422 bracket-mounted disconnect devices, 9422TG1 or TG2 devices.

Standards

- UL 508 Type 3R, 4
- CSA Type 3R, 4
- **Complies with**
 - NEMA Type 3R, 4, 12
 - JIC EGP-1-1967
 - IEC 60529, IP66
- Appropriate components are required to maintain these standards.

Construction

- Formed 14-gauge steel.
- Continuously welded seams.
- Larger sizes include door and body stiffeners.
- Welded brackets provide for enclosure mounting.
- Formed lip on door and enclosure exclude flowing liquids and contaminants.
- Cutouts and holes are provided to suit the flange handle operating mechanism.
- Continuously hinged doors may be removed by pulling the stainless steel hinge pin.
- Door is secured with easily operated stainless steel clamps.
- Cover interlock bracket is welded to the door.
- Collar studs are provided for mounting inner panels.
- A removable 12 gauge inner panel is included.
- Seamless poured-in place gasket.
- A bonding stud is provided on the door and a grounding stud is provided in the enclosure.
- A literature pocket is provided for the inside of the door.

Note:

- Disconnects and operating mechanisms are not provided with the enclosure, and must be ordered separately from the manufacturer.

Finish

- Door and enclosure are phosphatized and finished in ANSI 61 gray powder coating.
- Inner panel is finished in white powder coating.

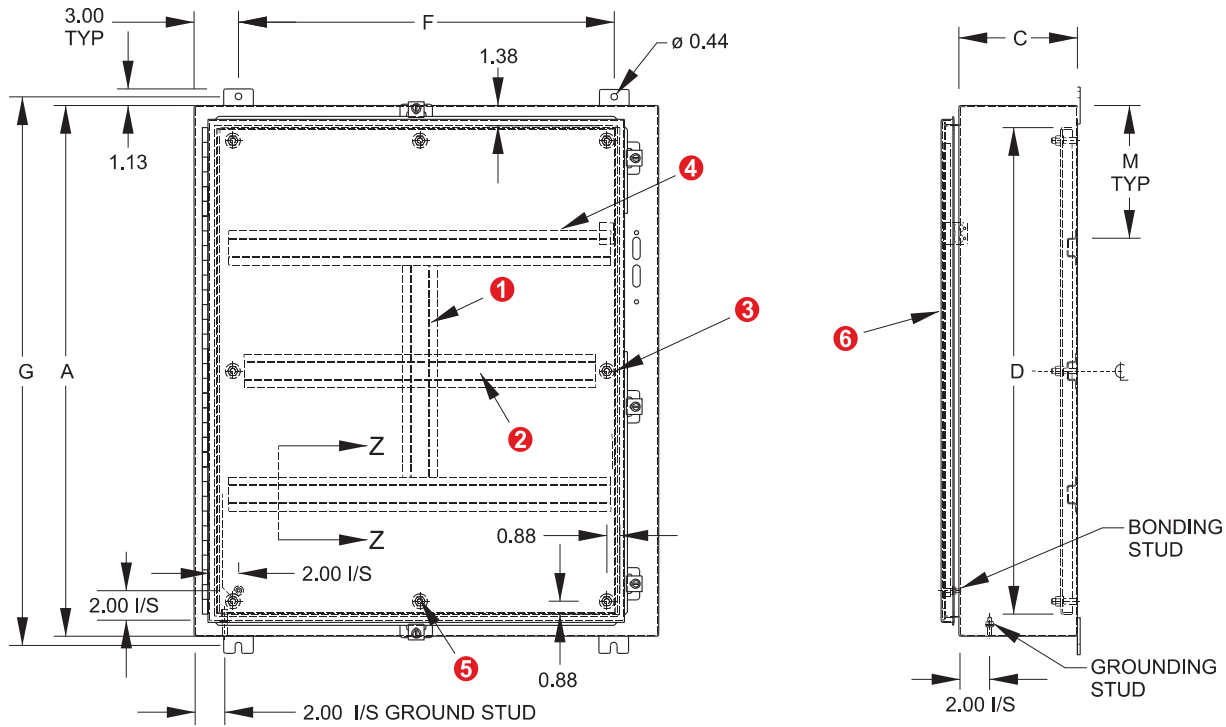
Accessories

- Additional inner panels...see page **436**
- Air conditioners...see page **349-367**
- Blowers...see page **392**
- Breather kits...see page **400-401**
- Doorstop kits...see page **453**
- Filter fans...see page **371-384**
- Heaters...see page **393-396**
- Thermostats...see page **397**
- Window kits...see page **449**

Wallmount Enclosures

1447SN4 Single Door Disconnect Enclosures - NEMA 4

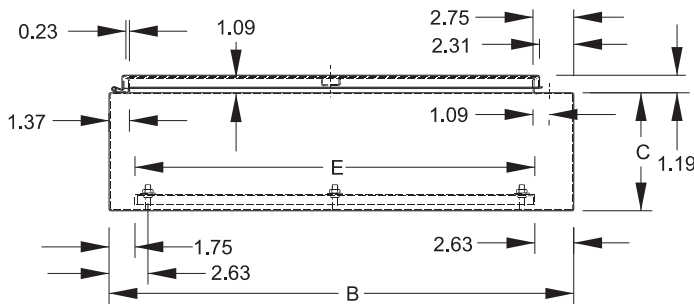
ABB Controls, Allen Bradley, Cutler Hammer, General Electric, Siemens I-T-E Max-Flex™, Square D



Front View

Formed View

Section Z-Z



Top View

- 1 Vertical body stiffener req'd on 1447SN4G8 only.
- 2 Omit center body stiffener if A is less than 41".
- 3 Omit 2 middle studs if A is less than 31".
- 4 Omit body stiffeners if B is 28" or less
- 5 Omit 2 middle studs if B is less than 32".
- 6 Omit door stiffener if B is 32" or less except if AxB is 42"x31.38".

When A=	M=
36	9.00
42	9.88
48	11.38
60	14.38

Note: Number of door clamps varies to enclosure size.

Part No.	Panel Size					Mounting Centers		Ship Wt. lbs.
	A	B	C	D	E	F	G	
1447SN4B8	24	21.38	8	21	17	15.38	25.25	60
1447SN4C8	24	25.38	8	21	21	19.38	25.25	73
1447SN4E8	30	25.38	8	27	21	19.38	31.25	90
1447SN4F8	36	25.38	8	33	21	19.38	37.25	100
1447SN4G8	36	31.38	8	33	27	25.38	37.25	123
1447SN4H12	42	31.38	12	39	27	25.38	43.25	152
1447SN4J12	42	37.38	12	39	33	31.38	43.25	200
1447SN4K12	48	37.38	12	45	33	31.38	49.25	220
1447SN4L12	60	37.38	12	57	33	31.38	61.25	265

Technical references and CAD downloads available at www.hammondmfg.com

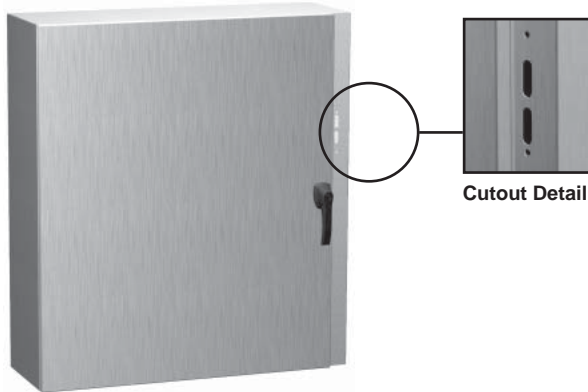
All dimensions in inches unless specified otherwise

Quality Products. Service Excellence.

EN4DSC 304 Stainless Steel Disconnect Enclosures - NEMA 4, 4X

ABB Controls, Allen Bradley, Cutler Hammer, General Electric, Siemens I-T-E Max-Flex™, Square D

Disconnect



Application

Designed to house the following safety disconnect equipment:

- **ABB Controls** flange mounted variable depth operating mechanisms for disconnect switches and circuit breakers. Cable version for circuit breakers also available.
- **Allen Bradley** 1494V variable depth flange mounted disconnect switches and circuit breaker operators NEMA 4 rated. Will not accept Allen Bradley 1494F disconnect switches, 1494D circuit breaker operators or 1494V-R1, -R2, or -W2 operating handles).
- **Cutler Hammer** C361 variable depth flange mounted disconnect switches and C371 circuit breaker operators. Also Flex-Shaft™ handle mechanisms for circuit breakers. Use Cutler Hammer NEMA 4X rated operating handles to maintain NEMA 4X integrity.
- **Siemens I-T-E Max-Flex™** flange mounted variable depth handles for disconnect switch and circuit breakers. Use handle for NEMA 4 rating.
- **General Electric** Type STDA flange handles and variable depth operating mechanisms for disconnect switches and circuit breakers. Also Spectra-Flex™ cable operators for circuit breakers.
- **Square D** Class 9422 disconnect switches with flange mounted variable depth operating mechanisms or cable mechanisms and Class 9422 flange mounted variable depth operating mechanism or cable mechanisms for circuit breakers. SN4SS enclosures will not accept Square D Class 9422 bracket-mounted disconnect devices, 9422TG1 or TG2 devices.

Standards

- UL 508 Type 3R, 4 and 4X
- CSA Type 3R, 4 and 4X
- **Complies with**
 - NEMA Type 3R, 4, 4X, 12 and 13
 - JIC EGP-1-1967
 - IEC 60529, IP66
- Appropriate components are required to maintain these standards.

Construction

- Formed 14 or 16 gauge type 304 stainless steel.
- Continuously welded seams.
- Larger sizes include door stiffeners.
- Formed lip on door and enclosure exclude flowing liquids and contaminants.
- Cutouts and holes are provided to suit the flange handle operating mechanism.
- Doors may be easily removed for modifications and are interchangeable.
- Door is secured with easily operated 2 or 3 point padlockable handle.
- Cover interlock bracket is welded to the door.
- Collar studs are provided for mounting inner panels.
- Removable inner panel is sold separately.
- Seamless poured-in place gasket.
- A bonding stud is provided on the door and a grounding stud is provided in the enclosure.
- Includes hardware kit with panel mounting nuts and sealing washers for wall mounting holes.

Note:

- Disconnects and operating mechanisms are not provided with the enclosure, and must be ordered separately from the manufacturer.

Finish

- Door and enclosure are natural, brushed stainless steel.

Accessories

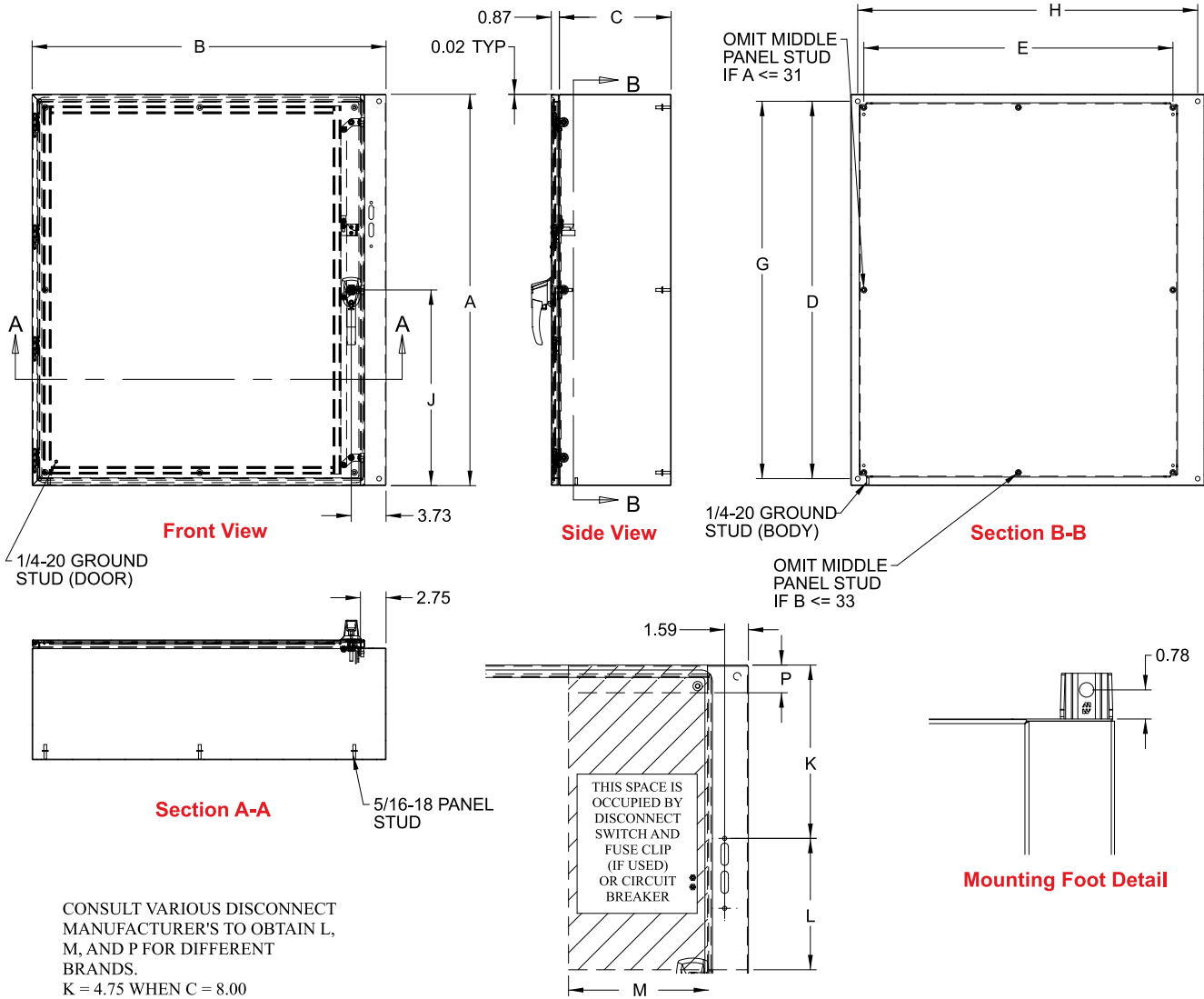
- Additional inner panels...see page **437**
- Air conditioners...see page **349-367**
- Blowers...see page **392**
- Breather kits...see page **400-401**
- Doorstop kits...see page **453**
- Filter fans...see page **371-384**
- Heaters...see page **393-396**
- Mounting foot kit...see page **31**
- Thermostats...see page **397**
- Window kits...see page **449**

Wallmount Enclosures



EN4DSC 304 Stainless Steel Disconnect Enclosures - NEMA 4, 4X

ABB Controls, Allen Bradley, Cutler Hammer, General Electric, Siemens I-T-E Max-Flex™, Square D



CONSULT VARIOUS DISCONNECT MANUFACTURER'S TO OBTAIN L, M, AND P FOR DIFFERENT BRANDS.
 K = 4.75 WHEN C = 8.00
 K = 11.62 WHEN C = 12.00
 P = WIRING BEND SPACE WHEN DISCONNECT IS INSTALLED IN ENCLOSURE

ORDER PANELS SEPERATELY
 ALL PANELS ARE 12 GA.

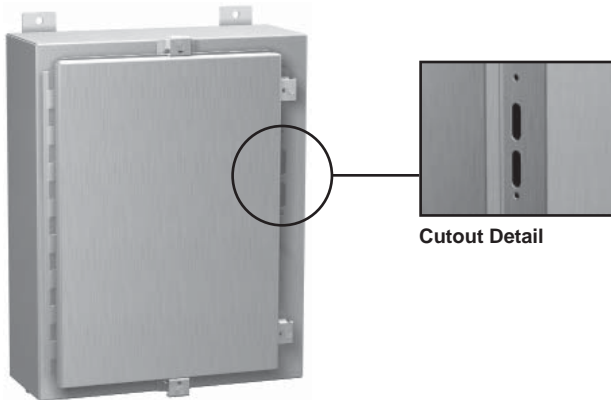
Part No.	Enclosure Size A x B x C	Door Gauge	Body Gauge	Optional Panel Part No.	Panel Size D x E	Mounting G x H	Latches qty style	# Panel Studs	J
EN4DSC20228SS	20.00 x 22.00 x 8.00	14	16	EP2020	18.17 x 18.17	18.50 x 20.50	1 2-pt	4	5.00
EN4DSC24228SS	24.00 x 22.00 x 8.00	14	16	EP2420	22.17 x 18.17	22.50 x 20.50	1 2-pt	4	6.00
EN4DSC24268SS	24.00 x 26.00 x 8.00	14	16	EP2424	22.17 x 22.17	22.50 x 24.50	1 2-pt	4	6.00
EN4DSC30268SS	30.00 x 26.00 x 8.00	14	16	EP3024	28.17 x 22.17	28.50 x 24.50	1 2-pt	4	6.00
EN4DSC36268SS	36.00 x 26.00 x 8.00	14	16	EP3624	34.17 x 22.17	34.50 x 24.50	1 2-pt	6	6.00
EN4DSC36328SS	36.00 x 32.00 x 8.00	14	14	EP3630	34.17 x 28.17	34.50 x 30.50	1 2-pt	6	6.00
EN4DSC423212SS	42.00 x 32.00 x 12.00	14	14	EP4230	40.17 x 28.17	40.50 x 30.50	1 3-pt	6	21.00
EN4DSC423812SS	42.00 x 38.00 x 12.00	14	14	EP4236	40.17 x 34.17	40.50 x 36.50	1 3-pt	8	21.00
EN4DSC483812SS	48.00 x 38.00 x 12.00	14	14	EP4836	46.17 x 34.17	46.50 x 36.50	1 3-pt	8	24.00
EN4DSC603812SS	60.00 x 38.00 x 12.00	14	14	EP6036	58.17 x 34.17	58.50 x 36.50	1 3-pt	8	30.00

Technical references and CAD downloads available at www.hammondmfg.com All dimensions in inches unless specified otherwise

1447SN4SS 304 Stainless Steel Disconnect Enclosures - NEMA 4, 4X

ABB Controls, Allen Bradley, Cutler Hammer, General Electric, Siemens I-T-E Max-Flex™, Square D

Disconnect



Cutout Detail



Wallmount Enclosures

Application

Designed to house the following safety disconnect equipment:

- **ABB Controls** flange mounted variable depth operating mechanisms for disconnect switches and circuit breakers. Cable version for circuit breakers also available.
- **Allen Bradley** 1494V variable depth flange mounted disconnect switches and circuit breaker operators NEMA 4 rated. Will not accept Allen Bradley 1494F disconnect switches, 1494D circuit breaker operators or 1494V-R1, -R2, or -W2 operating handles).
- **Cutler Hammer** C361 variable depth flange mounted disconnect switches and C371 circuit breaker operators. Also Flex-Shaft™ handle mechanisms for circuit breakers. Use Cutler Hammer NEMA 4X rated operating handles to maintain NEMA 4X integrity.
- **Siemens I-T-E Max-Flex™** flange mounted variable depth handles for disconnect switch and circuit breakers. Use handle for NEMA 4 rating.
- **General Electric** Type STDA flange handles and variable depth operating mechanisms for disconnect switches and circuit breakers. Also SpectraFlex™ cable operators for circuit breakers.
- **Square D** Class 9422 disconnect switches with flange mounted variable depth operating mechanisms or cable mechanisms and Class 9422 flange mounted variable depth operating mechanism or cable mechanisms for circuit breakers. SN4SS enclosures will not accept Square D Class 9422 bracket-mounted disconnect devices, 9422TG1 or TG2 devices.

Standards

- UL 508 Type 3R, 4 and 4X
- CSA Type 3R, 4 and 4X
- **Complies with**
 - NEMA Type 3R, 4, 4X, 12 and 13
 - JIC EGP-1-1967
 - IEC 60529, IP66
- Appropriate components are required to maintain these standards.

Construction

- Formed 14 gauge type 304 stainless steel.
- Continuously welded seams.
- Larger sizes include door and body stiffeners.
- Formed lip on door and enclosure exclude flowing liquids and contaminants.
- Cutouts and holes are provided to suit the flange handle operating mechanism.
- Continuously hinged doors may be removed by pulling the stainless steel hinge pin.
- Door is secured with easily operated stainless steel clamps.
- Cover interlock bracket is welded to the door.
- Collar studs are provided for mounting inner panels.
- A removable 12 gauge inner panel is included.
- Seamless poured-in place gasket.
- A bonding stud is provided on the door and a grounding stud is provided in the enclosure.
- A literature pocket is provided for the inside of the door.

Note:

- Disconnects and operating mechanisms are not provided with the enclosure, and must be ordered separately from the manufacturer.

Finish

- Door and enclosure are natural, brushed stainless steel.
- Inner panel is finished in white powder coating.

Accessories

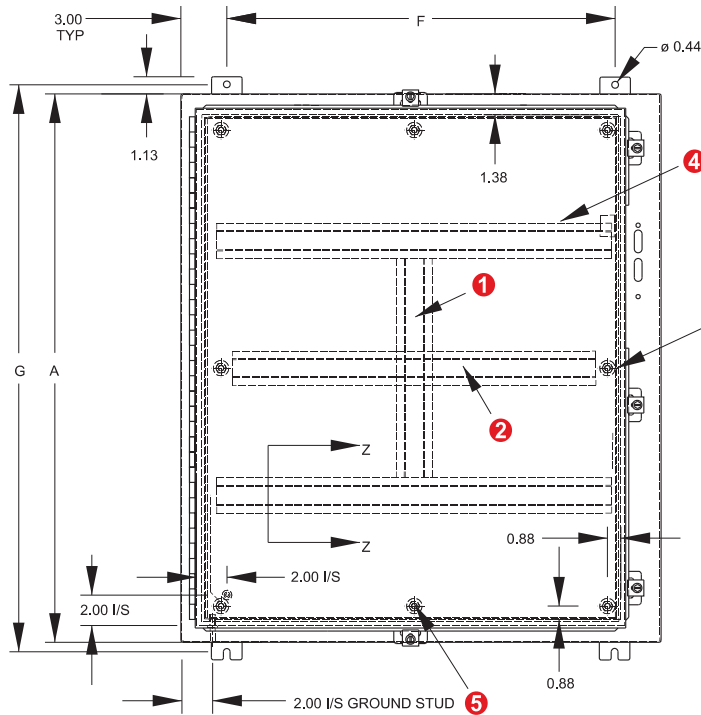
- Additional inner panels...see page **436**
- Air conditioners...see page **349-367**
- Blowers...see page **392**
- Breather kits...see page **400-401**
- Doorstop kits...see page **453**
- Filter fans...see page **371-384**
- Heaters...see page **393-396**
- Thermostats...see page **397**
- Window kits...see page **449**

1447SN4SS 304 Stainless Steel Disconnect Enclosures - NEMA 4, 4X

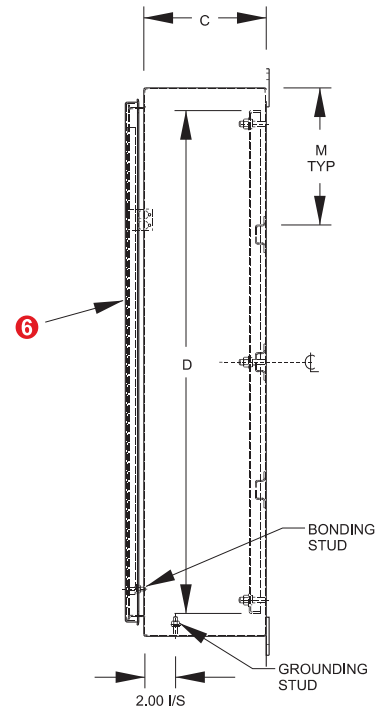
ABB Controls, Allen Bradley, Cutler Hammer, General Electric, Siemens I-T-E Max-Flex™, Square D

Disconnect

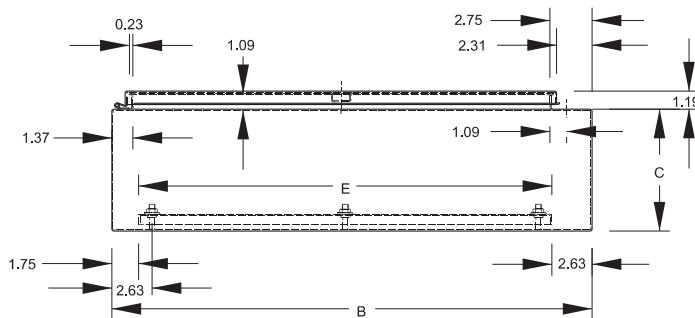
Wallmount Enclosures



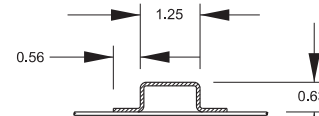
Front View



Cross Section



Top View



Section Z-Z

When A=	M=
36	9.00
42	9.88
48	11.38
60	14.38

- 1 Vertical body stiffener req'd on 1447SN4SSG8 only.
- 2 Omit center body stiffener if A is less than 41".
- 3 Omit 2 middle studs if A is less than 31".
- 4 Omit body stiffeners if B is 28" or less
- 5 Omit 2 middle studs if B is less than 32".
- 6 Omit door stiffener if B is 32" or less except if AxB is 42"x31.38".

Note: Number of door clamps varies to enclosure size.

Part No.	Panel Size					Mounting Centers		Ship Wt. lbs.
	A	B	C	D	E	F	G	
1447SN4SSB8	24	21.38	8	21	17	15.38	25.25	60
1447SN4SSC8	24	25.38	8	21	21	19.38	25.25	73
1447SN4SSE8	30	25.38	8	27	21	19.38	31.25	90
1447SN4SSF8	36	25.38	8	33	21	19.38	37.25	100
1447SN4SSG8	36	31.38	8	33	27	25.38	37.25	123
1447SN4SSH12	42	31.38	12	39	27	25.38	43.25	152
1447SN4SSJ12	42	37.38	12	39	33	31.38	43.25	200
1447SN4SSK12	48	37.38	12	45	33	31.38	49.25	220
1447SN4SSL12	60	37.38	12	57	33	31.38	61.25	265

Technical references and CAD downloads available at www.hammondmfg.com

All dimensions in inches unless specified otherwise

Quality Products. Service Excellence.

Single Door Disconnect Enclosures - NEMA 4, 4X

Selection Guide

Disconnect
Wallmount Enclosures

Hammond Series		1447SN4 & 1447SN4SS	EN4DCS all versions	
ABB Controls	Disconnect Switch	Flange operated switch (fusible or non-fusible)		
		Shaft: 8-12" dp enclosures, use DSFHS-12; 16" dp enclosures, use DSFHS-17		
		Handle: DSFHN-HS4	Handle: n/a	
	Circuit Breaker	Door Hardware: n/a		
		Circuit breaker: ABB		
		Operating Mechanism: see ABB chart		
Shaft: 8-12" dp enclosures, use K7FHD-S12; 16" dp enclosures, use K7FHD-S17				
		Handle: K7FHD-HS4	Handle: n/a	
		Door Hardware: n/a		
Allen Bradley	1494V Flange Disconnect Switch	Disconnect switch and operating mechanism: Bulletin 1494V		
		Handle: Bulletin 1494V-W1		
		Connecting rod: 8-10" dp enclosures, use 1494V-RA1; 12-16" dp enclosures, use 1494V-RA2 (except for Hammond part # 1447S46L12, use 1494V-RB2 (2))		
		Trailer fuse block kit (if required): Bulletin 1494V		
		Fuse kit (if required)		
		Line and load connectors (if required)		
	1494V Flange Circuit Breaker	Door Hardware: n/a		
		Circuit breaker: C-H Westinghouse		
		Operating mechanism: Bulletin 1494V		
		Handle: Bulletin 1494V-W11	Handle: n/a	
		Connecting rod: 8-10" dp enclosures, use 1494V-RA1; 12-16" dp enclosures, use 1494V-RA2		
		Door Hardware: n/a		
Cutler Hammer	Type C361 Disconnect Switch	Disconnect switch and operating mechanism		
		Handle: C361-H2 or H4		
		Door Hardware: n/a		
	Type C371 Circuit Breaker	Circuit breaker: C-H Westinghouse		
		Operating mechanism		
		Handle: 150 amp, use C371H2 or H4; 250-600 amp, use C371H6 or H8	Handle: n/a	
C-H Westinghouse Circuit Breaker w/FlexShaft	Door Hardware: n/a			
	Circuit breaker			
	Complete Flex-Shaft handle mechanism			
		Door Hardware: n/a		
General Electric	Type STDA Flange Disconnect Switch	Disconnect switch Type QMR or QMW		
		Handle: STDA1X		
		Fuse kit (if required)		
		Variable depth operating mechanism		
	Type STDA Flange Circuit Breaker	Door Hardware: n/a		
		Circuit breaker		
		Handle: STDA1X		
		Variable depth operating mechanism		
	Circuit Breaker w/ SpectraFlex	Door Hardware: n/a		
		Circuit breaker		
Flange Mt. Handle: 150-600 amp, use STDA1X; SK1200, use STDA3X		Handle: n/a		
Breaker mounted mechanism.				
		Operating cable		
		Door Hardware: n/a		
I-T-E Siemens	Max-Flex Flange Disconnect Switch	Disconnect switch: MCS		
		Fuse Kit (if required)		
		Handle: Flange mount FHOHS4		
		Switch operator mechanism		
	Max-Flex Flange Circuit Breaker	Operating cable (standard 36.0")		
		Door Hardware: n/a		
		Circuit breaker		
		Pressure wire connectors		
		Handle: Flange mount FHOH4	Handle: n/a	
		Circuit breaker operator mechanism		
		Operating cable: standard 36"		
		Door Hardware: n/a		
Square D	Class 9422 Disconnect Switch	Disconnect switch and operating mechanism 9422		
		Handle: 1447SN4 use A-1 or A-2; 1447SN4SS use A-2		
		Door Hardware: n/a		
	Class 9422 Circuit Breaker	Circuit breaker		
		Operating mechanism: Class 9422		
		Handle: 1447SN4 use A-1 or A-2; 1447SN4SS use A-2	Handle: n/a	
			Door Hardware: n/a	
	Class 9422 "T" Disconnect Switch w/ cable mechanism	Disconnect switch and operating mechanism 9422, Type T		
Handle: 1447SN4 use A-1 or A-2; 1447SN4SS use A-2				
Cable mechanism: Class 9422 CFT O - 3, 5, or 10 foot				
Circuit Breaker w/cable mechanism	Door Hardware: n/a			
	Circuit breaker: Square D			
	Handle: 1447SN4 use A-1 or A-2; 1447SN4SS use A-2	Handle: n/a		
		Door Hardware: n/a		

 Technical references and CAD downloads available at www.hammondmfg.com

All dimensions in inches unless specified otherwise

Disconnect

Wallmount Enclosures

2UD Two Door Wallmount Disconnect Enclosures - NEMA 12

ABB Controls, Allen Bradley, Cutler Hammer, General Electric, Siemens I-T-E Max-Flex™, Square D

Disconnect



Wallmount Enclosures

Application

Designed to accept the following disconnect switches and circuit breakers:

- **ABB Controls** flange mounted variable depth operating mechanisms for disconnect switches and circuit breakers.
- **Allen Bradley** 1494F flange mounted disconnect switches and 1494D flange mounted operators for circuit breakers. Allen Bradley 1494V variable depth flange mounted disconnect switches and circuit breaker mechanisms.
- **C-H Westinghouse** Type C361 disconnect switches and operator mechanisms, and type C371 circuit breakers and circuit breaker operating mechanisms. Flex Shaft™ handle operators for circuit breakers.
- **General Electric** Type STDA flange handles and variable depth operating mechanisms for disconnect switches and circuit breakers. Also Spectra-Flex™ cable operators for circuit breakers.
- **Siemens I-T-E Max-Flex™** flange mounted variable depth operating handles for disconnect switches and circuit breakers.
- **Square D** disconnect switches and circuit breakers used with Class 9422 flange mounted variable depth operating mechanisms or cable mechanisms. These enclosures will not receive Class 9422 bracket mounted disconnect devices, Class 9422TG1, or TG2 devices.

Operator Adaptor Kits

- All universal series enclosures require one adaptor kit (ordered separately) to adapt the type of disconnect and mechanism to be used.
- Each brand and type requires a different adaptor kit.
- Each kit contains an adaptor plate and master door interlocking mechanism.
- Fully detailed, illustrated instructions are included.

Standards

- UL 508 Type 12
- CSA Type 12
- **Complies with**
 - NEMA Type 12 and 13
 - JIC EGP-1-1967 and EMP-1-1967
 - IEC 60529, IP54
- Appropriate components are required to maintain these standards.

Construction

- Formed from 10 gauge steel with smooth, continuously welded seams.
- Body stiffeners are included in the larger enclosures for extra rigidity.
- Heavy duty lifting eyes are anchored into reinforced top corners.
- Flange trough collar (FTC) around door opening excludes liquids and contaminants.
- Removable doors are secured with heavy duty lift-off hinges.
- Formed 10 gauge steel inner panels are provided on collar studs.
- Panel supports are provided.
- Center post is removable, providing easy panel installation.
- Heavy duty three point latching mechanism with heavy duty roller ends is provided for ease of door closing.
- Oil resistant gaskets are permanently secured and mechanically retained.
- The right hand door is the master door.
- Master door handle complete with screw defeater and padlock hasp.
- Slave door handle complete with padlock hasp.

- A mechanical interlock activated by the master door prevents the auxiliary door from being opened first.
- The universal flange cutout provides mounting for disconnect operators by use of the appropriate operator adaptor kit.
- A provision for mounting fluorescent lighting is provided.
- A bonding stud is provided in the door and a grounding stud is provided in the enclosure for each door.
- A literature pocket is provided for the inside of the door.

Note:

- Disconnect switches, circuit breakers and operators are not provided with the enclosure, and must be ordered separately from the manufacturer.

Finish

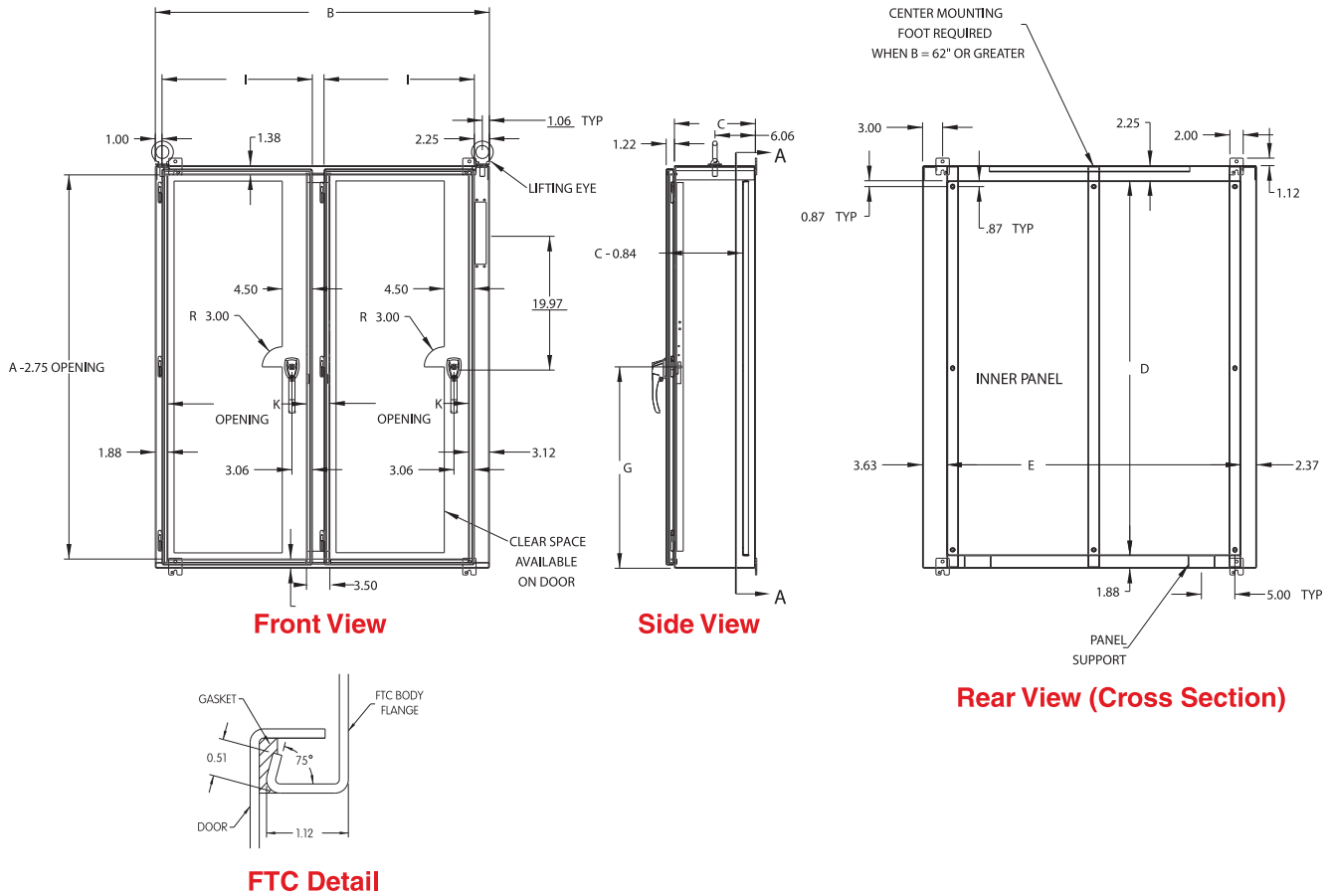
- Door and enclosure are phosphatized and finished in ANSI 61 gray recoatable powder coating on the outside.
- Enclosure interior is finished in white powder coating.
- Inner panel is finished in white powder coating.

Accessories

- Additional inner panels...see page **437**
- Air conditioners...see page **349-367**
- Blank adaptor plates...see page **182**
- Operator adaptor kits...see page **182**
- Blowers...see page **392**
- Breather kits...see page **400-401**
- Doorstop kits...see page **453**
- Filter fans...see page **371-384**
- Floor stand kits...see page **453**
- Heaters...see page **393-396**
- Light kits...see page **452**
- Thermostats...see page **397**
- Window kits...see page **449**

2UD Two Door Wallmount Disconnect Enclosures - NEMA 12

ABB Controls, Allen Bradley, Cutler Hammer, General Electric, Siemens I-T-E Max-Flex™, Square D


Disconnect
Wallmount Enclosures

Part No.	A	B	C	D	E	G	H	I	K	Ship Wt lbs.
2UD605012FTC	60.13	50.00	12.13	56	44	30.06	59.13	22.5	20.75	554
2UD606212FTC	60.13	62.00	12.13	56	56	30.06	59.13	28.5	26.75	683
2UD726212FTC	72.13	62.00	12.13	68	56	36.06	71.13	28.5	26.75	803
2UD727412FTC	72.13	74.00	12.13	68	68	36.06	71.13	34.5	32.75	937

2UDF Two Door Floormount Disconnect Enclosures - NEMA 12

ABB Controls, Allen Bradley, Cutler Hammer, General Electric, Siemens I-T-E Max-Flex™, Square D

Disconnect



Floormount Enclosures

Application

Designed to accept the following disconnect switches and circuit breakers:

- **ABB Controls** flange mounted variable depth operating mechanisms for disconnect switches and circuit breakers.
- **Allen Bradley** 1494F flange mounted disconnect switches and 1494D flange mounted operators for circuit breakers. Allen Bradley 1494V variable depth flange mounted disconnect switches and circuit breaker mechanisms.
- **C-H Westinghouse** Type C361 disconnect switches and operator mechanisms, and type C371 circuit breakers and circuit breaker operating mechanisms. Flex Shaft™ handle operators for circuit breakers.
- **General Electric** Type STDA flange handles and variable depth operating mechanisms for disconnect switches and circuit breakers. Also Spectra-Flex™ cable operators for circuit breakers.
- **Siemens I-T-E Max-Flex™** flange mounted variable depth operating handles for disconnect switches and circuit breakers.
- **Square D** disconnect switches and circuit breakers used with Class 9422 flange mounted variable depth operating mechanisms or cable mechanisms. These enclosures will not receive Class 9422 bracket mounted disconnect devices, Class 9422TG1, or TG2 devices.

Operator Adaptor Kits

- All universal series enclosures require one adaptor kit (ordered separately) to adapt the type of disconnect and mechanism to be used.
- Each brand and type requires a different adaptor kit.
- Each kit contains an adaptor plate and master door interlocking mechanism.
- Fully detailed, illustrated instructions are included.

Standards

- UL 508 Type 12
- CSA Type 12
- **Complies with**
 - NEMA Type 12
 - JIC EGP-1-1967 and EMP-1-1967
 - IEC 60529, IP54
- Appropriate components are required to maintain these standards.

Construction

- Formed from 10 gauge steel with smooth, continuously welded seams.
- Body stiffeners are included in the larger enclosures for extra rigidity.
- Flange trough collar (FTC) around door opening excludes liquids and contaminants.
- 15" floor stands are welded to the enclosure.
- Removable doors are secured with heavy duty lift-off hinges.
- Formed 10 gauge steel inner panels are provided on collar studs.
- Panel supports are provided.
- Center post is removable, providing easy panel installation.
- Heavy duty three point latching mechanism with heavy duty roller ends is provided for ease of door closing.
- Oil resistant gaskets are permanently secured and mechanically retained.
- The right hand door is the master door.
- Master door handle complete with screw defeater and padlock hasp.

- Slave door handle complete with padlock hasp.
- A mechanical interlock activated by the master door prevents the auxiliary door from being opened first.
- The universal flange cutout provides mounting for disconnect operators by use of the appropriate operator adaptor kit.
- A provision for mounting fluorescent lighting is provided.
- A bonding stud is provided in the door and a grounding stud is provided in the enclosure for each door.
- A literature pocket is provided.

Note:

- Disconnect switches, circuit breakers and operators are not provided with the enclosure, and must be ordered separately from the manufacturer.

Finish

- Door and enclosure are phosphatized and finished in ANSI 61 gray recoatable powder coating on the outside.
- Enclosure interior is finished in white powder coating.
- Inner panel is finished in white powder coating.

Accessories

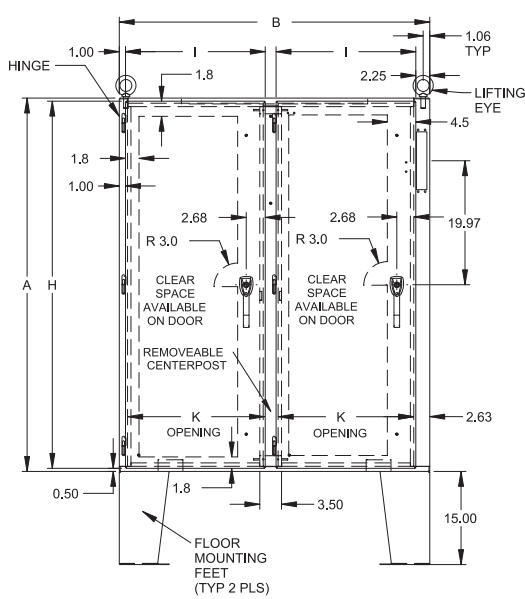
- Additional inner panels...see page **437**
- Air conditioners...see page **349-367**
- Blank adaptor plates...see page **182**
- Operator adaptor kits...see page **182**
- Blowers...see page **392**
- Breather kits...see page **400-401**
- Doorstop kits...see page **453**
- Filter fans...see page **371-384**
- Floor stand kits...see page **453**
- Heaters...see page **393-396**
- Light kits...see page **452**
- Thermostats...see page **397**
- Window kits...see page **449**

Technical references and CAD downloads available at www.hammondmfg.com

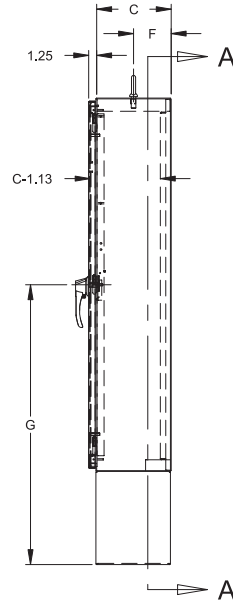
All dimensions in inches unless specified otherwise

2UDF Two Door Floormount Disconnect Enclosures - NEMA 12

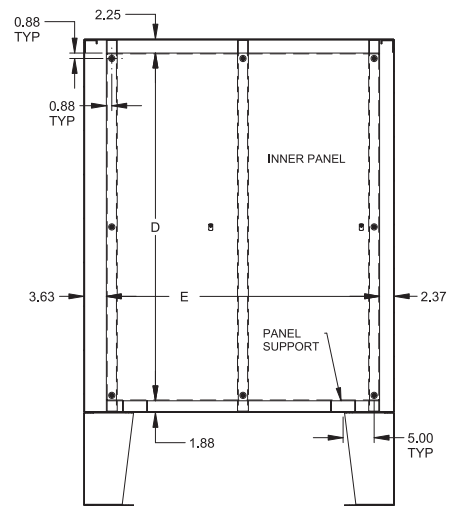
ABB Controls, Allen Bradley, Cutler Hammer, General Electric, Siemens I-T-E Max-Flex™, Square D



Front View



Side View

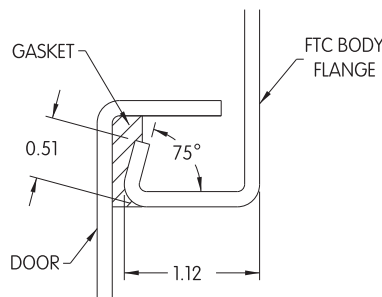


Section A-A

Disconnect

Floormount Enclosures

Part No.	A	B	C	D	E	F	G	H	I	K	Ship Wt lbs.
2UD605012FFTC	60.13	50.00	12.13	56	44	6.06	45.06	59.13	22.5	20.75	554
2UD605018FFTC	60.13	50.00	18.13	56	44	6.06	45.06	59.13	22.5	20.75	683
2UD606212FFTC	60.13	62.00	12.13	56	56	6.06	51.06	59.13	28.5	26.75	801
2UD606218FFTC	60.13	62.00	18.13	56	56	6.06	51.06	59.13	28.5	26.75	935
2UD726212FFTC	72.13	62.00	12.13	68	56	9.06	45.06	71.13	28.5	26.75	617
2UD726218FFTC	72.13	62.00	18.13	68	56	9.06	45.06	71.13	28.5	26.75	752
2UD727412FFTC	72.13	74.00	12.13	68	68	9.06	51.06	71.13	34.5	32.75	877
2UD727418FFTC	72.13	74.00	18.13	68	68	9.06	51.06	71.13	34.5	32.75	1017
2UD727424FFTC	72.13	74.00	24.13	68	68	12.06	51.06	71.13	34.5	32.75	1098



FTC Detail

2UDCP Two Door Floormount Disconnect Enclosures - NEMA 12

ABB Controls, Allen Bradley, Cutler Hammer, General Electric, Siemens I-T-E Max-Flex™, Square D

Disconnect



Floormount Enclosures

Application

Designed to accept the following disconnect switches and circuit breakers:

- **ABB Controls** flange mounted variable depth operating mechanisms for disconnect switches and circuit breakers.
- **Allen Bradley** 1494F flange mounted disconnect switches and 1494D flange mounted operators for circuit breakers. Allen Bradley 1494V variable depth flange mounted disconnect switches and circuit breaker mechanisms.
- **C-H Westinghouse** Type C361 disconnect switches and operator mechanisms, and type C371 circuit breakers and circuit breaker operating mechanisms. Flex Shaft™ handle operators for circuit breakers.
- **General Electric** Type STDA flange handles and variable depth operating mechanisms for disconnect switches and circuit breakers. Also Spectra-Flex™ cable operators for circuit breakers.
- **Siemens I-T-E Max-Flex™** flange mounted variable depth operating handles for disconnect switches and circuit breakers.
- **Square D** disconnect switches and circuit breakers used with Class 9422 flange mounted variable depth operating mechanisms or cable mechanisms. These enclosures will not receive Class 9422 bracket mounted disconnect devices, Class 9422TG1, or TG2 devices.

Standards

- UL 508 Type 12
- CSA Type 12
- **Complies with**
 - NEMA Type 12
 - JIC EGP-1-1967 and EMP-1-1967
 - IEC 60529, IP54
- Appropriate components are required to maintain these standards.

Construction

- Formed from 10 gauge steel with smooth, continuously welded seams.
- Body stiffeners are included in the larger enclosures for extra rigidity.
- 15" floor stands are welded to the enclosure.
- Flange trough Collar (FTC) around door opening excludes liquids and contaminants.
- Heavy duty lifting eyes are anchored into reinforced top corners.
- Removable doors are secured with heavy duty lift-off hinges.
- Formed 10 gauge steel inner panels are provided on collar studs.
- Panel supports are provided.
- Center post is removable, providing easy panel installation.
- Heavy duty three point latching mechanism with heavy duty roller ends is provided for ease of door closing.
- Oil resistant gaskets are permanently secured.
- The left door is the master door.
- Master door handle complete with screw defeater and padlock hasp.
- Slave door handle complete with padlock hasp.
- A mechanical interlock activated by the master door prevents the auxiliary door from being opened first.

- The universal flange cutout provides mounting for disconnect operators by use of the appropriate operator adaptor kit.
- A provision for mounting fluorescent lighting is provided.
- A bonding stud is provided in the door and a grounding stud is provided in the enclosure for each door.
- A literature pocket is provided.

Note:

- Disconnect switches, circuit breakers and operators are not provided with the enclosure, and must be ordered separately from the manufacturer.

Finish

- Door and enclosure are phosphatized and finished in ANSI 61 gray recoatable powder coating on the outside.
- Enclosure interior is finished in white powder coating.
- Inner panel is finished in white powder coating.

Accessories

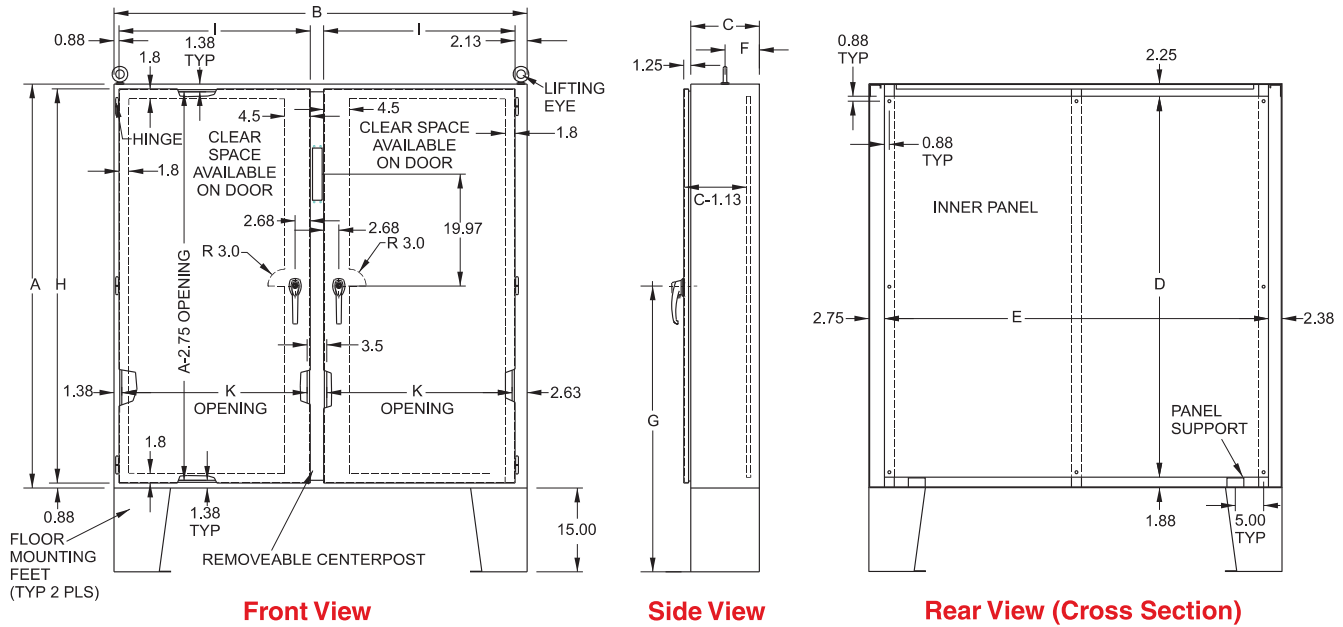
- Additional inner panels...see page **437**
- Air conditioners...see page **349-367**
- Blank adaptor plates...see page **182**
- Operator adaptor kits...see page **182**
- Blowers...see page **392**
- Breather kits...see page **400-401**
- Doorstop kits...see page **453**
- Filter fans...see page **371-384**
- Floor stand kits...see page **453**
- Heaters...see page **393-396**
- Light kits...see page **452**
- Thermostats...see page **397**
- Window kits...see page **449**

Technical references and CAD downloads available at www.hammondmfg.com

All dimensions in inches unless specified otherwise

2UDCP Two Door Floormount Disconnect Enclosures - NEMA 12

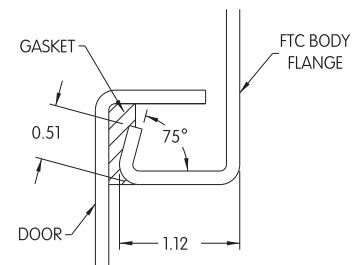
ABB Controls, Allen Bradley, Cutler Hammer, General Electric, Siemens I-T-E Max-Flex™, Square D



Disconnect

Floormount Enclosures

Part No.	Panel Size										Ship Wt lbs.
	A	B	C	D	E	F	G	H	I	K	
2UDCP604912FFTC	60.13	48.88	12.13	56	44	6.06	45.06	59.13	22.5	20.81	547
2UDCP606112FFTC	60.13	60.88	12.13	56	56	6.06	45.06	59.13	28.5	26.81	576
2UDCP726112FFTC	72.13	60.88	12.13	68	56	6.06	51.06	71.13	28.5	26.81	796
2UDCP727312FFTC	72.13	72.88	12.13	68	68	6.06	51.06	71.13	34.5	32.81	929
2UDCP727318FFTC	72.13	72.88	18.13	68	68	9.06	51.06	71.13	34.5	32.81	1009



FTC Detail

2UD, 2UDF & 2UDCP Two Door Disconnect Enclosures - NEMA 12

ABB Controls, Allen Bradley, Cutler Hammer, General Electric, Siemens I-T-E Max-Flex™, Square D

Disconnect

Floormount Enclosures

Disconnect Ordering Information

ABB Controls

Disconnect switch:

- Flange operated switch (fusible or non-fusible)
- Shaft:
 - 12.13" deep enclosures use DSFHS-12
 - 18.13" deep enclosures use DSFHS-17
 - 24.13" deep enclosures, platform must be used with shaft (not included)
- Handle: DSFHN-HS12

Circuit breaker:

- Circuit breaker: ABB
- Operating mechanism
- Shaft:
 - 12.13" deep enclosures use K7FHD-S12
 - 18.13" deep enclosures use K7FHD-S17
 - 24.13" deep enclosures, platform must be used with shaft (not included)
- Handle mechanism: K7FHD-HS12

Allen Bradley

Bulletin 1494F flange mounted disconnect switch:

- Disconnect switch
- Fuse block adaptor (if required)
- Line and load connectors (if required)

1494D flange mounted circuit breaker operating mechanism, order:

- Circuit breaker: C-H Westinghouse
- Operating mechanism
- Slide mechanism

Bulletin 1494V flange mounted disconnect switch, order:

- Disconnect switch
- Operating handle
- Connecting rod (long)
- Trailer fuse block kit (if required)
- Fuse kit (if required)
- Line and load connectors (if required)

Bulletin 1494V flange mounted circuit breaker operating mechanism, order:

- Circuit breaker: C-H Westinghouse
- Operating mechanism
- Operating handle
- Connecting rod (long)
- When Allen Bradley 1494V devices are installed in 72" high enclosures with the operating handle mounted on the center post, an optional Allen Bradley channel support kit is recommended.

C-H Westinghouse

File C361 disconnect switch:

- Disconnect switch with an operating mechanism
- Operating handle: C361H1 or C361H3
- In 24.13" deep enclosures, platform must be used with shaft (not included)

File C371 circuit breaker operating mechanism with a C-H Westinghouse circuit breaker:

- Circuit breaker
- Operating mechanism
- Long operating rod (if required)
- Operating handle
 - 150A - C371H1 or C371H3
 - 250 through 600A - C371H5 or C371H7

Flex-Shaft™ handle mechanism:

- Circuit breaker
- Complete Flex-Shaft™ handle mechanism

General Electric

Disconnect switch:

- Disconnect switch: Type QMR or QMW
- Fuse clip kit or no-fuse kit
- Flange handle: STDA1 or STDA2
- Variable depth operating mechanism
- Extended length drive rod (if required)

Circuit breaker:

- Circuit breaker
- Flange handle: STDA1 or STDA2
- Variable depth operating mechanism
- Extended length drive rod (if required)
- An optional General Electric Flange Stiffener Kit (TDSR) is recommended when General Electric Type TDA devices are installed in 72.13" high enclosures with operating handle mounted on centerpost. Use with TDOM1, TDOM2, TDOM3, S100M1A, and S100M3 operating mechanisms.

Circuit breaker with Spectra-Flex™ cable operator:

- Circuit breaker
- Flange mounted handle mechanism
- 150 to 600A - STDA1
- SK1200 - STDA3
- Breaker mounted mechanism
- Operating cable

I-T-E Siemens

Disconnect switch:

- Basic switch (right-hand)
- Fuse kit or no-fuse kit
- Flange mounted handle: FHOHS
- Switch operator
- Operating cable:
 - FHOECO36 cable for 12.13" deep
 - FHOECO48 for 18.13" and 24.13" deep enclosures

Circuit breaker:

- Circuit breaker
- Pressure wire connectors
- Flange mounted handle
 - 100 to 600 - FHOH
 - 800 to 2000 - FHOHN
- Circuit breaker operator mechanism
- Operating cable:
 - 36" cable for 12.13" or 18.13" deep
 - 48" for 24.13" deep enclosures
- These items are available as a complete mechanism with a 36" operating cable only. Order items separately when using a 48" operating cable.

Square D

Disconnect switch:

- Disconnect switch with operating mechanism
- Universal handle mechanism: Type A-1
- Long operating rod (if required)

Circuit breaker:

- Circuit breaker
- Operating mechanism
- Universal handle mechanism: Type A-1
- Long operating rod (if required)

Class 9422 Type T disconnect switch with a cable mechanism:

- Disconnect switch with operating mechanism: Class 9422, Type T
- Handle mechanism: Class 9422, type A-1
- Cable mechanism: Class 9422 CFT_O, 3, 5, or 10 foot

Circuit breaker with a cable mechanism:

- Circuit breaker: Square D
- Handle mechanism: Class 9422, type A-1
- Cable mechanism: Class 9422 CFT_O, 3, 5, or 10 foot
- An optional Square D Channel flange Support Kit (9422-C1) is recommended when some Square D devices are installed in 72.13" high enclosures with operating handle mounted on centerpost.

Disconnect

Floormount Enclosures

UHD Heavy Duty Disconnect Enclosures - NEMA 12

ABB Controls, Allen Bradley, Cutler Hammer, General Electric, Siemens I-T-E Max-Flex™, Square D

Disconnect

Freestanding Enclosures



3UHD Shown



Application

- Designed to accept the following disconnect switches and circuit breakers:
- **ABB Controls** flange mounted variable depth operating mechanisms for disconnect switches and circuit breakers.
- **Allen Bradley** 1494F flange mounted disconnect switches and 1494D flange mounted operators for circuit breakers. Allen Bradley 1494V variable depth flange mounted disconnect switches and circuit breaker mechanisms.
- **C-H Westinghouse** type C361 disconnect switches and operator mechanism. Cutler Hammer Type C371 circuit breaker operating mechanisms. Flex-Shaft™ handle operators for circuit breakers.
- **General Electric** type STDA flange handles and variable depth operating mechanisms for disconnect switches and circuit breakers. Also Spectra-Flex™ cable operators for circuit breakers.
- **Siemens I-T-E Max-Flex™** flange mounted variable depth operating handles for disconnect switches and circuit breakers.
- **Square D** disconnect switches and circuit breakers used with Class 9422 flange mounted variable depth operating mechanisms or cable mechanisms. These enclosures will not receive Class 9422 bracket mounted disconnect devices or class 9422TG1 or TG2 devices.

Standards

- UL 508 Type 12
- CSA Type 12
- **Complies with**
 - NEMA Type 12
 - JIC EGP-1-1967 and EMP-1-1967
 - IEC 60529, IP54
 - Appropriate components are required to maintain these standards.

Construction

- Formed from 10 gauge steel with smooth, continuously welded seams.
- Body stiffeners are provided in the larger enclosures for extra rigidity.
- Flange trough collar (FTC) around door opening excludes liquids and contaminants.
- Heavy duty lifting eyes are anchored into reinforced top corners.
- Removable doors are secured with heavy duty lift off hinges.
- Formed 10 gauge steel inner panels are provided on collar studs.
- Panel supports are provided.
- Center post is removable, providing easy panel installation.
- Heavy duty three point latching mechanism with heavy duty roller ends is provided for ease of door closing.
- Oil resistant gaskets are permanently secured.
- The right-hand door on all enclosures is the master door.
- Master door handle complete with screw defeater and padlock hasp.
- Slave door handle complete with padlock hasp.

- A mechanical interlock activated by the master door prevents the auxiliary door from being opened first.
- The universal flange cutout provides mounting for disconnect operators by use of the appropriate operator adaptor kit.
- A provision for mounting fluorescent lighting is provided.
- A bonding stud is provided in the door and a grounding stud is provided in the enclosure for each door.
- A literature pocket is provided for the inside of the door.

Note:

- Disconnect switches, circuit breakers and operators are not provided with the enclosure, and must be ordered separately from the manufacturer.

Finish

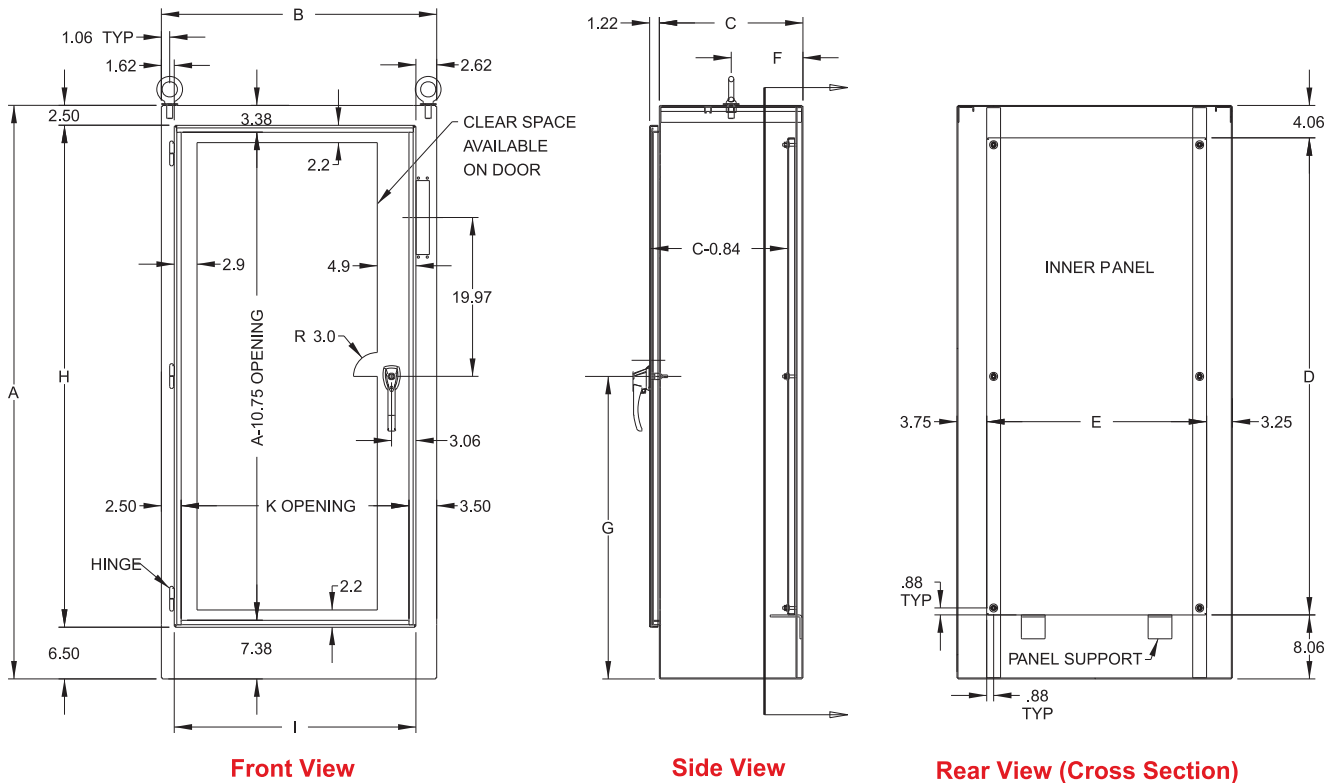
- Door and enclosure are phosphatized and finished in ANSI 61 gray recoatable powder coating on the outside.
- Interior - white powder coating.
- Inner panel is finished in white powder coating.

1UHD Heavy Duty Disconnect Enclosures - NEMA 12

ABB Controls, Allen Bradley, Cutler Hammer, General Electric, Siemens I-T-E Max-Flex™, Square D

Disconnect

Freestanding Enclosures



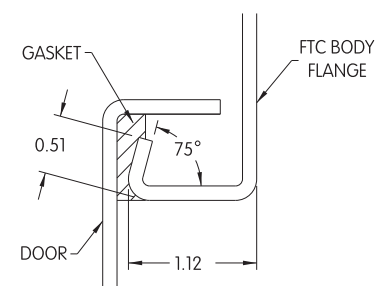
Front View

Side View

Rear View (Cross Section)

Accessories

- Additional inner panels...contact factory
- Air conditioners...see page 349-367
- Blank adaptor plates...see page 182
- Operator adaptor kits...see page 182
- Blowers...see page 392
- Breather kits...see page 400-401
- Doorstop kits...see page 453
- Enclosure stabilizers...see page 456
- Filter fans...see page 371-384
- Floor stand kits...see page 453
- Heaters...see page 393-396
- Light kits...see page 452
- Thermostats...see page 397



Part No.	Overall Dimensions			Panel Size			G	H	I	K	Ship Wt. lbs
	A	B	C	D	E	F					
1UHD722918FTC	72.13	28.75	18.13	60.00	21.75	9.06	38.06	63.13	24.50	22.75	433.00
1UHD723518FTC	72.13	34.75	18.13	60.00	27.75	9.06	38.06	63.13	30.50	28.75	499.00
1UHD724118FTC	72.13	40.75	18.13	60.00	33.75	9.06	38.06	63.13	36.50	34.75	565.00
1UHD844118FTC	84.13	40.75	18.13	72.00	33.75	9.06	44.06	75.13	36.50	34.75	650.00
1UHD844124FTC	84.13	40.75	24.13	72.00	33.75	12.06	44.06	75.13	36.50	34.75	720.00
1UHD904118FTC	90.13	40.75	18.13	78.00	33.75	9.06	47.06	81.13	36.50	34.75	670.00
1UHD904120FTC	90.13	40.75	20.13	78.00	33.75	10.06	47.06	81.13	36.50	34.75	718.00
1UHD904124FTC	90.13	40.75	24.13	78.00	33.75	12.06	47.06	81.13	36.50	34.75	766.00

Technical references and CAD downloads available at www.hammondmfg.com

All dimensions in inches unless specified otherwise

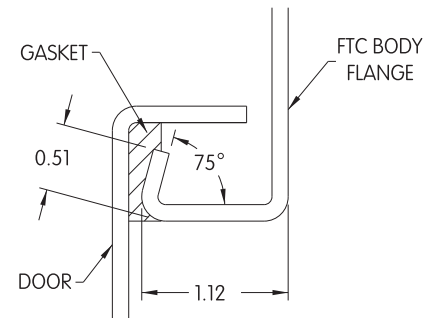
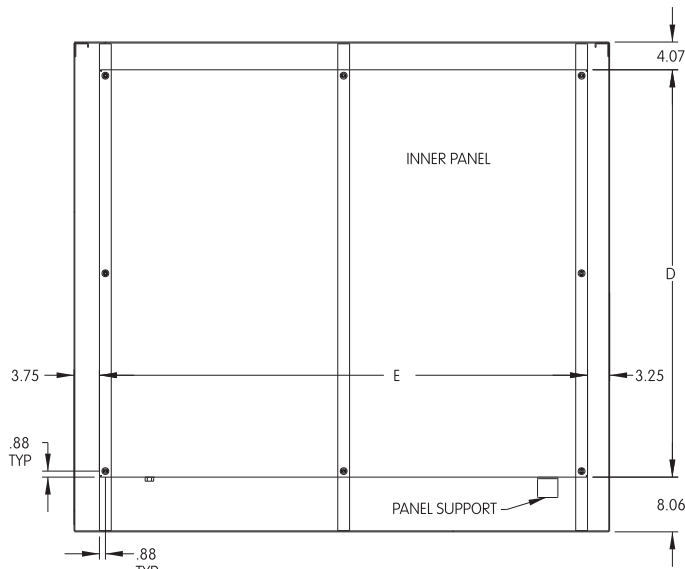
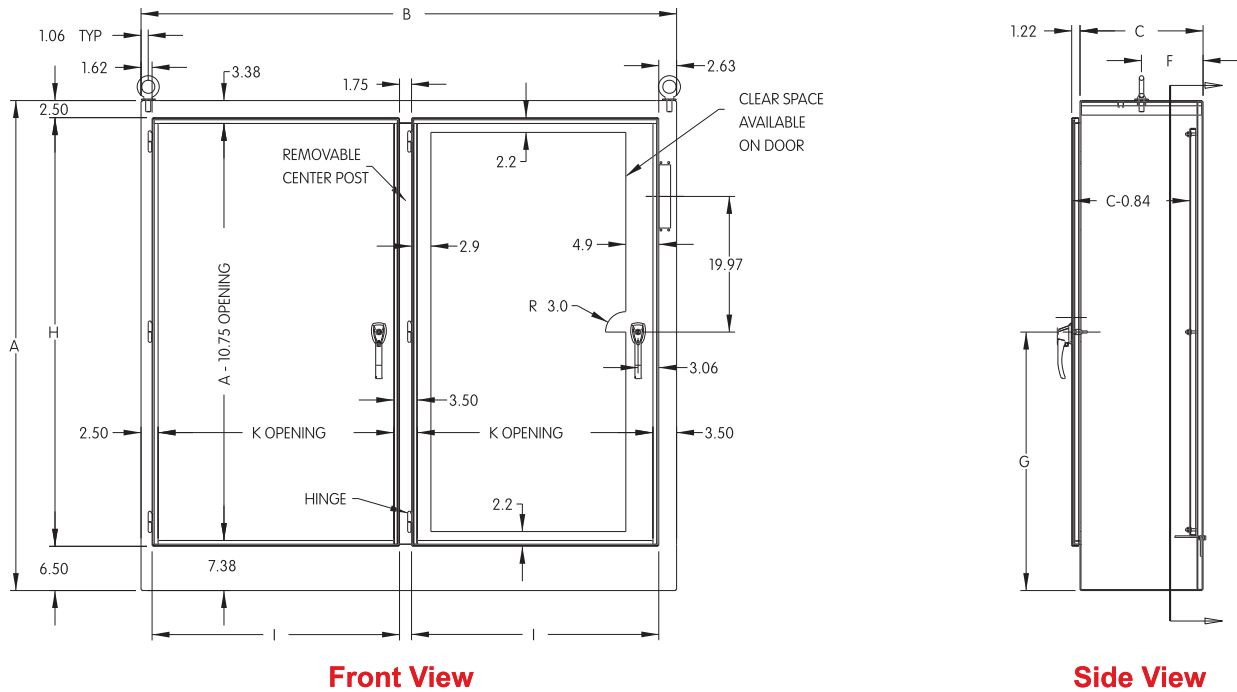
Quality Products. Service Excellence.

2UHD Two Door Heavy Duty Disconnect Enclosures - NEMA 12

ABB Controls, Allen Bradley, Cutler Hammer, General Electric, Siemens I-T-E Max-Flex™, Square D

Disconnect

Freestanding Enclosures



Rear View (Cross Section)

Part No.	Overall Dimensions			Panel Size			G	H	I	K	Ship Wt. lbs
	A	B	C	D	E	F					
2UHD725518FTC	72.13	55	18.13	60	48	9.06	38.06	63.13	24.5	22.75	751
2UHD726718FTC	72.13	67	18.13	60	60	9.06	38.06	63.13	30.5	28.75	903
2UHD727918FTC	72.13	79	18.13	60	72	9.06	38.06	63.13	36.5	34.75	1036
2UHD727924FTC	72.13	79	24.13	60	72	12.06	38.06	63.13	36.5	34.75	1199
2UHD847918FTC	84.13	79	18.13	72	72	9.06	44.06	75.13	36.5	34.75	1121
2UHD847924FTC	84.13	79	24.13	72	72	12.06	44.06	75.13	36.5	34.75	1280
2UHD907918FTC	90.13	79	18.13	78	72	9.06	47.06	81.13	36.5	34.75	1237
2UHD907920FTC	90.13	79	20.13	78	72	10.06	47.06	81.13	36.5	34.75	1297
2UHD907924FTC	90.13	79	24.13	78	72	12.06	47.06	81.13	36.5	34.75	1356

Technical references and CAD downloads available at www.hammondmfg.com

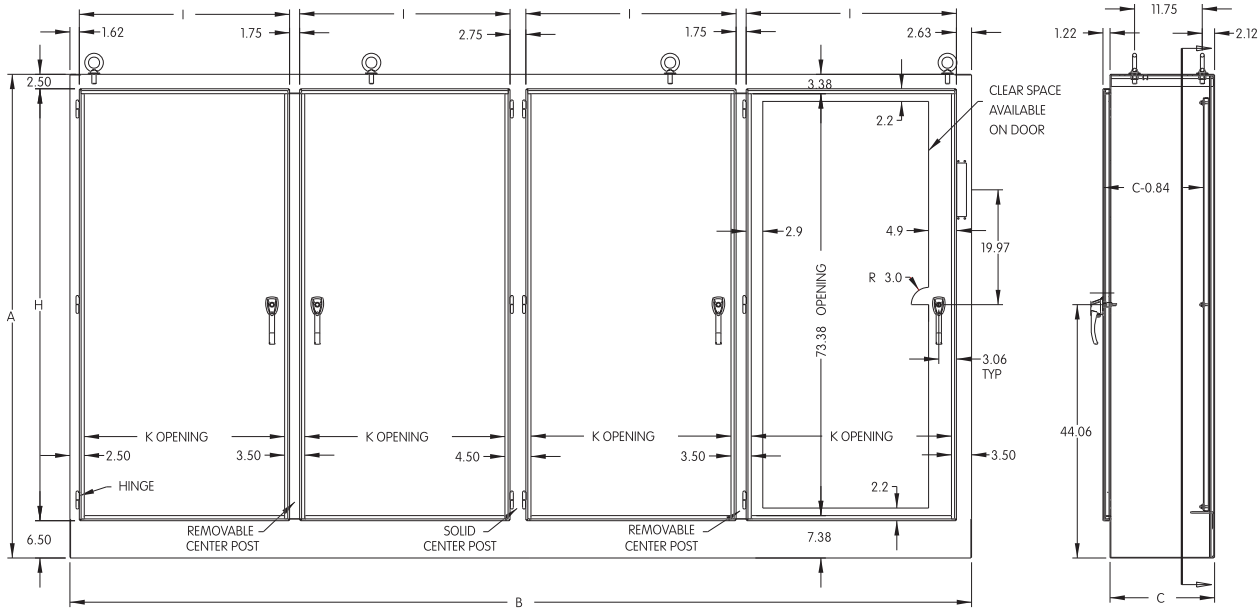
All dimensions in inches unless specified otherwise

4UHD Four Door Heavy Duty Disconnect Enclosures - NEMA 12

ABB Controls, Allen Bradley, Cutler Hammer, General Electric, Siemens I-T-E Max-Flex™, Square D

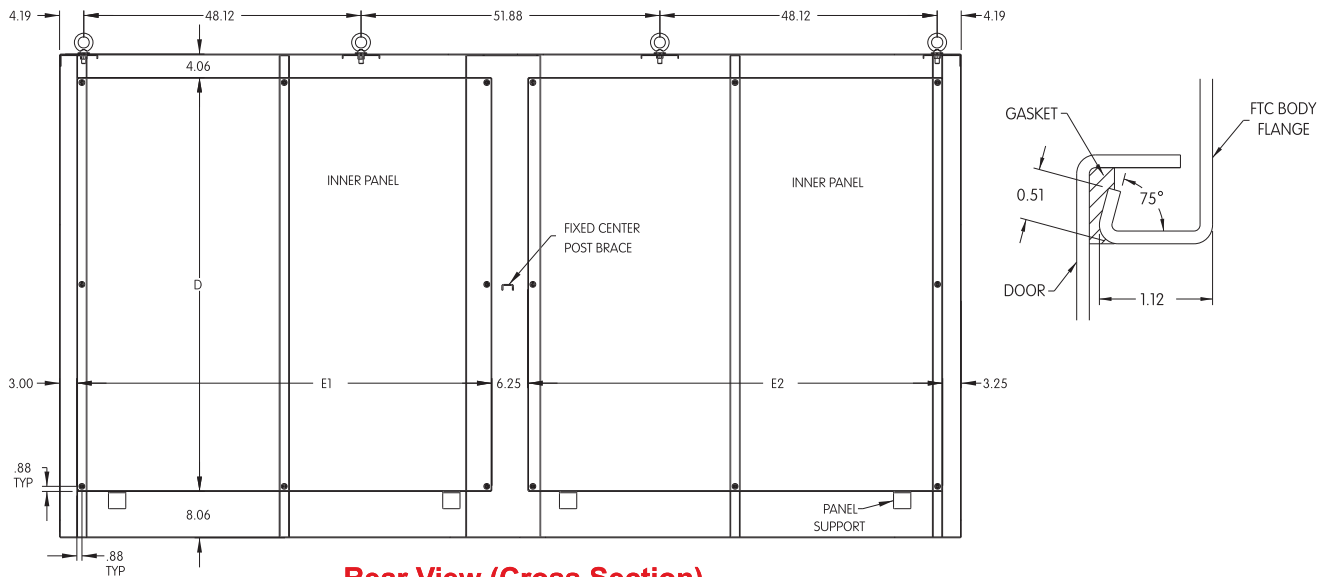
Disconnect

Freestanding Enclosures



Front View

Side View



Rear View (Cross Section)

Part No.	Overall Dimensions			Panel Size						Ship Wt. lbs
	A	B	C	D	E ¹	E ²	H	I	K	
4UHD8415718FTC	84.13	156.5	18.13	72	72	72	75.13	36.5	34.75	2271
4UHD9015718FTC	90.13	156.5	18.13	78	72	72	81.13	36.5	34.75	2361

Technical references and CAD downloads available at www.hammondmfg.com

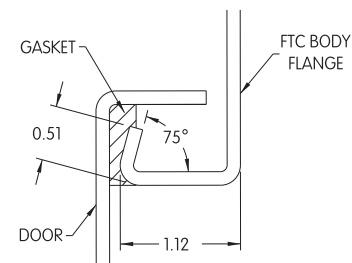
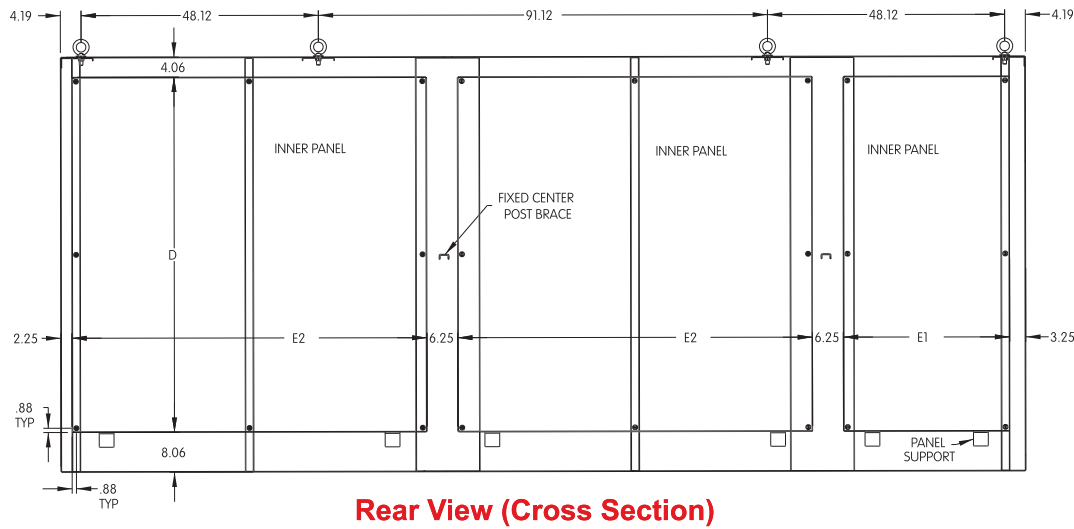
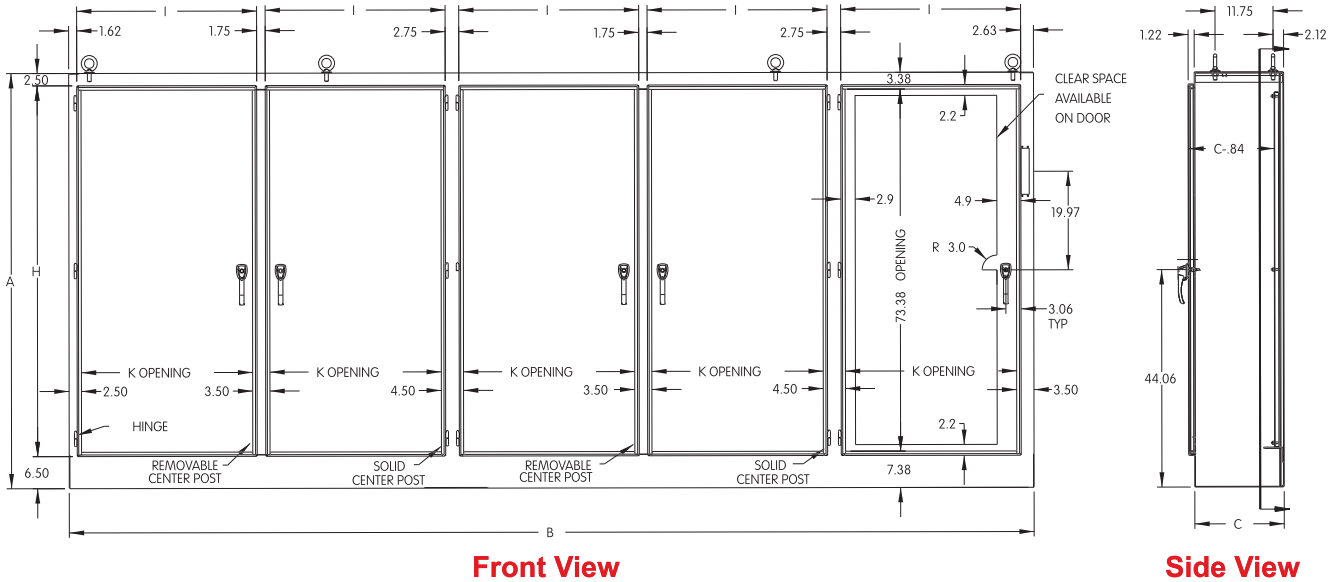
All dimensions in inches unless specified otherwise

5UHD Five Door Heavy Duty Disconnect Enclosures - NEMA 12

ABB Controls, Allen Bradley, Cutler Hammer, General Electric, Siemens I-T-E Max-Flex™, Square D

Disconnect

Freestanding Enclosures



Part No.	Overall Dimensions				Panel Size			H	I	K	Ship Wt. lbs
	A	B	C	D	E ¹	E ²					
5UHD8419518FTC	84.13	195.75	18.13	72	33.75	72	75.13	36.5	34.75	2820	
5UHD9019518FTC	90.13	195.75	18.13	78	33.75	72	81.13	36.5	34.75	2910	

Technical references and CAD downloads available at www.hammondmfg.com

All dimensions in inches unless specified otherwise

Quality Products. Service Excellence.

UHD Heavy Duty Disconnect Enclosures - NEMA 12

ABB Controls, Allen Bradley, Cutler Hammer, General Electric, Siemens I-T-E Max-Flex™, Square D

Disconnect

Freestanding Enclosures

Disconnect Ordering Information

ABB Controls

Disconnect switch:

- Flange operated switch (fusible or non-fusible)
- Shaft:
 - 18.13" deep enclosures use DSFHS-17
 - 20.13" deep enclosures use DSFHS-22
 - 24.13" deep enclosures, platform must be used with shaft (not included)
- Hhandle: DSFHN-HS12

Circuit breaker:

- Circuit breaker: ABB
- Operating mechanism
- Shaft
 - 18.13" deep enclosures use K7FHD-S17
 - 20.13" deep enclosures use K7FHD-S22
 - 24.13" deep enclosures, platform must be used with shaft (not included)
- Handle mechanism: K7FHD-HS12

Allen Bradley

Bulletin 1494F flange mounted disconnect switch:

- Disconnect switch
- Fuse block adaptor (if required)
- Line and load connectors (if required)

1494D flange mounted circuit breaker operating mechanism:

- Circuit breaker: C-H Westinghouse
- Flange mounted operating mechanism
- Slide mechanism

Bulletin 1494V flange mounted disconnect switch:

- Disconnect switch
- Operating handle
- Connecting rod/rods (long)
- Trailer fuse block kit (if required)
- Fuse clip kit (if required)
- Line and load connectors (if required)

Bulletin 1494V flange mounted circuit breaker operating mechanism:

- Circuit breaker: C-H Westinghouse
- Operating mechanism
- Operating handle
- Connecting rod (long)

C-H Westinghouse

Type C361 disconnect switch, order:

- Disconnect switch with an operating mechanism
- Operating handle: C361H1 or C361H3
- In 24.13" deep enclosures, platform must be used with shaft (not included)

Type C371 circuit breaker operating mechanism with a C-H Westinghouse circuit breaker:

- Circuit breaker
- Operating mechanism
- Long operating rod (if required)
- Operating handle:
 - 150A - C371H1 or C371H3;
 - 250 through 1200A - C371H5 or C371H7

Flex-Shaft™ handle mechanism:

- Circuit breaker
- Complete Flex-Shaft™ handle mechanism

General Electric

Disconnect switch:

- Disconnect switch: Type QMR or QMW
- Fuse clip kit or no-fuse kit
- Flange handle: STDA1 or STDA2
- Variable depth operating mechanism
- Extended length drive rod (if required)

Circuit breaker:

- Circuit breaker
- Flange handle: STDA1 or STDA2
- Variable depth operating mechanism
- Extended length drive rod (if required)

Circuit breaker with a Spectra-Flex™ cable operator:

- Circuit breaker
- Blange mounted handle mechanism:
 - 150 to 600 amps - STDA1
 - SK1200 - STDA3
- Breaker mounted mechanism
- Operating cable

I-T-E Siemens

Disconnect switch:

- Basic switch (right-hand)
- Fuse or no-fuse kit
- Flange mounted handle: FHOHS
- Switch operator
- Operating cable: FHOEC048

Circuit breaker:

- Circuit breaker
- Pressure wire connectors
- Flange mounted handle:
 - 100 to 600 - FHOH
 - 800 to 2000 - FHOHN
- Circuit breaker operator mechanism
- Operating cable:
 - 18.13" deep or 24.13" deep enclosures accept 36" or 48" cables;
 - 24.13" deep enclosures require a 48" cable
- These items are available from I-T-E as a complete mechanism with a 36" operating cable only Order items separately when using a 48" cable

Square D

Disconnect switch:

- Disconnect switch with operating mechanism
- Universal handle mechanism: Type A-1
- Long operating rod (if required)

Circuit breaker:

- Circuit breaker
- Operating mechanism
- Universal handle mechanism: Type A-1
- Long operating rod (if required)

When using a Class 9422 Type T disconnect switch with a cable mechanism, order:

- Disconnect switch with operating mechanism: Class 9422, Type T
- Handle mechanism: Class 9422, Type A-1
- Cable mechanism: Class 9422 CFT_O, 3, 5, or 10 foot

Circuit breaker with a cable mechanism:

- Circuit breaker: Square D
- Handle mechanism: Class 9422, type A-1
- Cable mechanism: Class 9422 CFT_O, 3, 5, or 10 foot

Disconnect

Freestanding Enclosures

UHDM Modular Disconnect Enclosures - NEMA 12

ABB Controls, Allen Bradley, Cutler Hammer, General Electric, Siemens I-T-E Max-Flex™, Square D

Disconnect



Freestanding Enclosures

Application

Designed to bolt together in any number of units for maximum flexibility and ease of transportation. The UHDM system consists of a Master enclosure to house the flange mounted disconnect switch and interlocking Slave enclosures which may be added or removed as required. Master enclosure units will accept the following disconnect switches and circuit breakers:

- **ABB Controls** flange mounted variable depth operating mechanism for disconnect switches and circuit breakers.
- **Allen Bradley** 1494F flange mounted disconnect switches and 1494D flange mounted operators for circuit breakers. Allen Bradley 1494V variable depth flange operated disconnect switches and circuit breaker mechanisms.
- **C-H Westinghouse** Type C361 disconnect switches and operator mechanism. Cutler Hammer Type C371 circuit breaker operating mechanisms. Flex Shaft™ handle operators for circuit breakers.
- **General Electric** Type STDA flange handles and variable depth operating mechanisms for disconnect switches and circuit breakers. Also Spectra-Flex™ cable operators for circuit breakers.
- **I-T-E Max-Flex™** flange mounted variable depth operating handles for disconnect switches and circuit breakers.
- **Square D** disconnect switches and circuit breakers used with Class 9422 flange mounted variable depth operating mechanisms or cable mechanisms. These enclosures will not receive Class 9422 bracket mounted disconnect devices or Class 9422TG1 or TG2 devices.

Standards

- UL 508 Type 12
- CSA Type 12
- **Complies with**
 - NEMA Type 12
 - JIC EGP-1-1967 and EMP-1-1967
 - IEC 60529, IP54
- Appropriate components are required to maintain these standards.

Construction

- Formed from 10 gauge steel with smooth continuously welded seams.
- Body stiffeners are provided in the larger enclosures for extra rigidity.
- Heavy duty lifting eyes are anchored into reinforced top corners.
- Removable doors are secured with heavy duty lift off hinges.
- Flange trough collar (FTC) around door excludes liquids and contaminants.
- Formed 10 gauge steel inner panels are provided on collar studs.
- Panel supports are provided.
- Center post is removable, providing easy panel installation.
- Heavy duty three point latching door mechanism.
- Side openings are reinforced to provide structural strength, smooth edges and preset gasket compression.
- Oil resistant gaskets on doors and side openings are permanently secured. No gasket kit is provided.
- Master door handle complete with

- screw defeater and padlock hasp.
- Slave door handle complete with padlock hasp.
- A mechanical interlock activated by the master door prevents the auxiliary door from being opened first.
- The universal flange cutout provides mounting for disconnect operators by use of the appropriate operator adaptor kit.
- A bonding stud is provided in the door and a grounding stud is provided in the enclosure for each door.
- A literature pocket is provided.

Note:

- Disconnect switches, circuit breakers and operators are not provided with the enclosure, and must be ordered separately from the manufacturer.

Finish

- Door and enclosure are phosphatized and finished in ANSI 61 gray recoatable powder coating on the outside.
- Interior - white powder coating.
- Inner panel is finished in white powder coating.

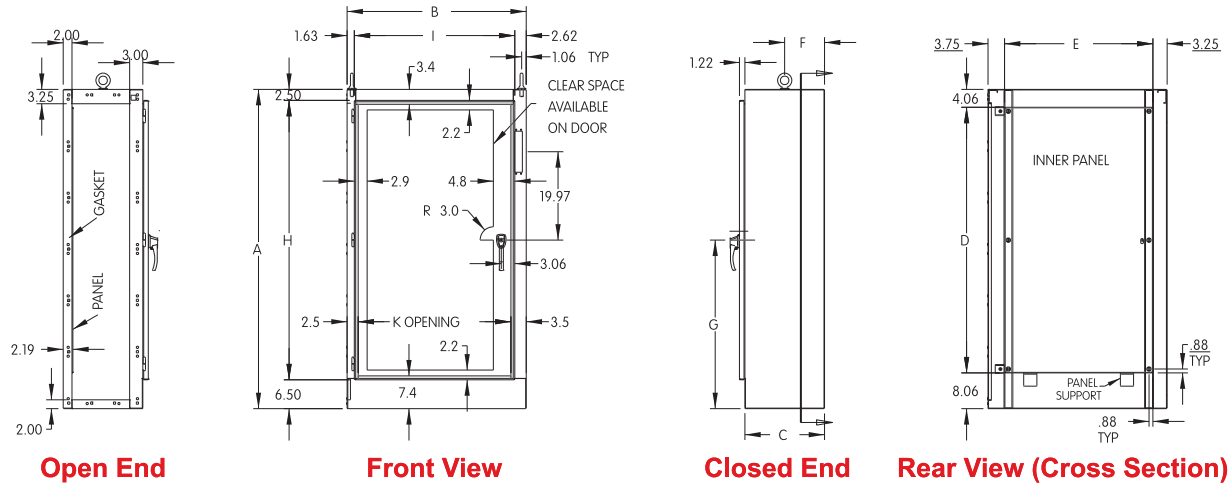
Accessories

- Additional inner panels...*contact factory*
- Air conditioners...*see page 349-367*
- Blank adaptor plates...*see page 182*
- Operator adaptor kits...*see page 182*
- Blowers...*see page 392*
- Breather kits...*see page 400-401*
- Doorstop kits...*see page 453*
- Enclosure stabilizers...*see page 456*
- Filter fans...*see page 371-384*
- Floor stand kits...*see page 453*
- Heaters...*see page 393-396*
- Light kits...*see page 452*
- Thermostats...*see page 397*
- Window kits...*see page 449*

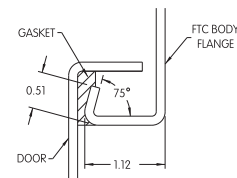
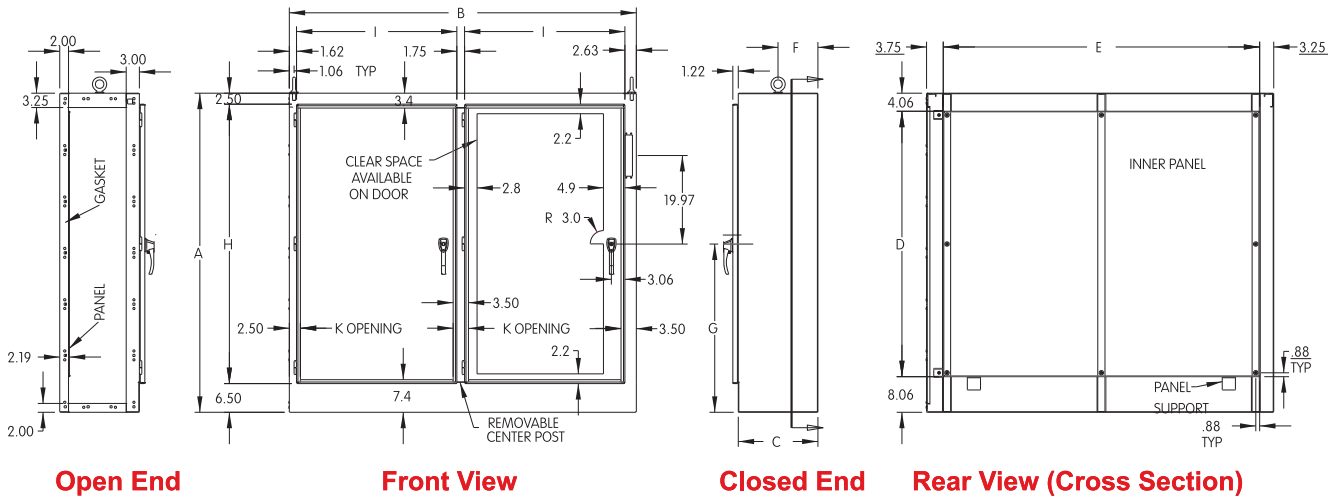
UHDM Modular Disconnect Enclosures - NEMA 12

ABB Controls, Allen Bradley, Cutler Hammer, General Electric, Siemens I-T-E Max-Flex™, Square D

Single Door Master Enclosure (Left side open)



Two Door Master Enclosure (Left side open)



Master Enclosures

Part No.	Overall Dimensions										Ship Wt. lbs.	Description
	A	B	C	D	E	F	G	H	I	K		
UHDM724118MFTC	72.13	40.75	18.13	60	33.75	9.06	38.06	63.13	36.5	34.75	506	Single Door Disconnect
UHDM844118MFTC	84.13	40.75	18.13	72	33.75	9.06	44.06	75.13	36.5	34.75	573	Left side open
UHDM844124MFTC	84.13	40.75	24.13	72	33.75	12.06	44.06	75.13	36.5	34.75	658	
UHDM727918MFTC	72.13	79.00	18.13	60	72.00	9.06	38.06	63.13	36.5	34.75	918	Two Door Disconnect
UHDM847918MFTC	84.13	79.00	18.13	72	72.00	9.06	44.06	75.13	36.5	34.75	1050	Left side open
UHDM847924MFTC	84.13	79.00	24.13	72	72.00	12.06	44.06	75.13	36.5	34.75	1150	

Technical references and CAD downloads available at www.hammondmfg.com

All dimensions in inches unless specified otherwise

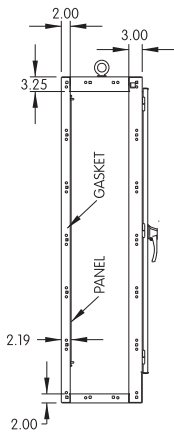
Quality Products. Service Excellence.

UHDM Modular Disconnect Enclosures - NEMA 12

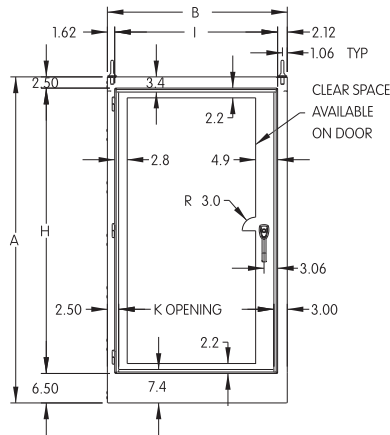
ABB Controls, Allen Bradley, Cutler Hammer, General Electric, Siemens I-T-E Max-Flex™, Square D

Disconnect

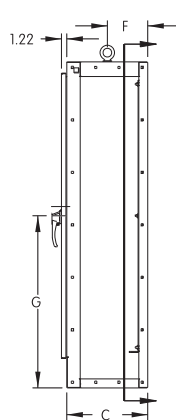
Single Door Slave Enclosure (Both sides open)



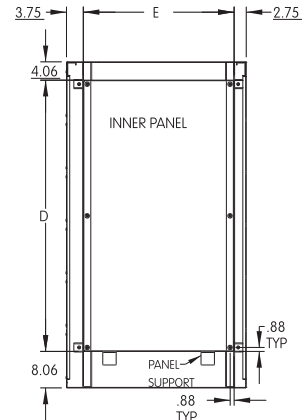
Open End



Front View



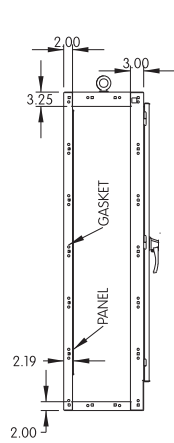
Open End



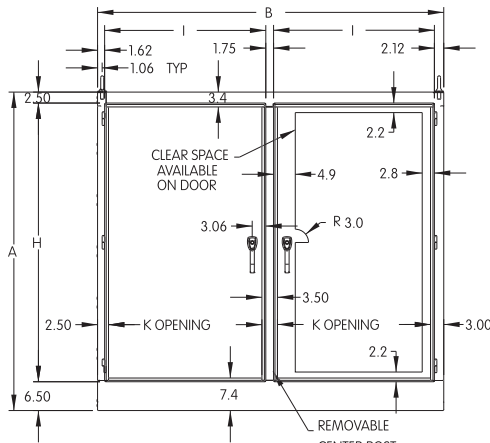
Rear View (Cross Section)

Freestanding Enclosures

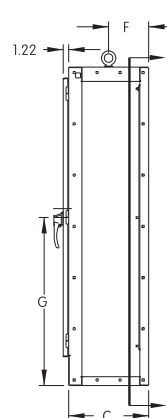
Two Door Slave Enclosure (Both sides open)



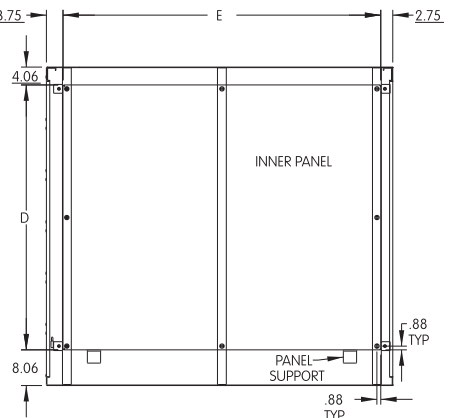
Open End



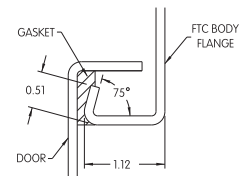
Front View



Open End



Rear View (Cross Section)



Slave Enclosures

Part No.	Overall Dimensions											Ship Wt. lbs.	Description
	A	B	C	D	E	F	G	H	I	K			
UHDM724118SFTC	72.13	40.25	18.13	60	33.75	9.06	38.06	63.13	36.5	34.75	473	Single Door Slave	
UHDM844118SFTC	84.13	40.25	18.13	72	33.75	9.06	44.06	75.13	36.5	34.75	550	Both sides open	
UHDM844124SFTC	84.13	40.25	24.13	72	33.75	12.06	44.06	75.13	36.5	34.75	570		
UHDM727818SFTC	72.13	78.50	18.13	60	72.00	9.06	38.06	63.13	36.5	34.75	888	Two Door Slave	
UHDM847818SFTC	84.13	78.50	18.13	72	72.00	9.06	44.06	75.13	36.5	34.75	1010	Both sides open	
UHDM847824SFTC	84.13	78.50	24.13	72	72.00	12.06	44.06	75.13	36.5	34.75	1060		

Technical references and CAD downloads available at www.hammondmfg.com

All dimensions in inches unless specified otherwise

UHDM Modular Disconnect Enclosures - NEMA 12

ABB Controls, Allen Bradley, Cutler Hammer, General Electric, Siemens I-T-E Max-Flex™, Square D

Disconnect Ordering Information

ABB Controls

Disconnect switch:

- Flange operated switch (fusible or non-fusible)
- Shaft:
 - 18.13" deep enclosures use DSFHS-17
 - 24.13" deep enclosures, platform must be used with shaft (not included)
- Handle: DSFHN-HS12

Circuit breaker:

- Circuit breaker: ABB
- Operating mechanism
- Shaft:
 - 18.13" deep enclosures use K7FHD-S17
 - 24.13" deep enclosures, platform must be used with shaft (not included)
- Handle mechanism: K7FHD-HS12

Allen Bradley

Bulletin 1494F flange mounted

disconnect switch:

- Disconnect switch
- Fuse block adaptor (if required)
- Line and load connectors (if required)

1494D flange mounted circuit breaker operating mechanism:

- Circuit breaker: C-H Westinghouse
- Flange mounted operating mechanism
- Slide mechanism

Bulletin 1494V flange mounted

disconnect switch:

- Disconnect switch
- Operating handle
- Connecting rod/rods (long)
- Trailer fuse block kit (if required)
- Fuse clip kit (if required)
- Line and load connectors (if required)

Bulletin 1494V flange mounted circuit breaker operating mechanism:

- Circuit breaker: C-H Westinghouse
- Operating mechanism
- Operating handle
- Connecting rod (long)

C-H Westinghouse

Type C361 disconnect switch:

- Disconnect switch with an operating mechanism
- Operating handle: C361H1 or C361H3
- In 24.13" deep enclosures, platform must be used with shaft (not included)

Type C371 circuit breaker operating mechanism with a C-H Westinghouse circuit breaker:

- Circuit breaker
- Operating mechanism
- Long operating rod (if required)
- Operating handle:
 - 150 amp - C371H1 or C371H3
 - 250 through 1200 amp - C371H5 or C371H7

Flex-Shaft™ handle mechanism:

- Circuit breaker
- Complete Flex-Shaft™ handle mechanism

General Electric

Disconnect switch:

- Disconnect switch: Type QMR or QMW
- Fuse clip kit or no-fuse kit
- Flange handle: STDA1 or STDA2
- Variable depth operating mechanism
- Extended length drive rod (if required)

Circuit breaker:

- Circuit breaker
- Flange handle: STDA1 or STDA2
- Variable depth operating mechanism
- Extended length drive rod (if required)

Circuit breaker with a Spectra-Flex™ cable operator:

- Circuit breaker
- Flange mounted handle mechanism:
 - 150 to 600 amps - STDA1
 - SK1200 - STDA3
- Breaker mounted mechanism
- Operating cable

I-T-E Siemens

Disconnect switch:

- Basic switch (right-hand)
- Fuse or no-fuse kit
- Flange mounted handle: FHOHS
- Switch operator
- Operating cable: FHOEC048

Circuit breaker:

- Circuit breaker
- Pressure wire connectors
- Flange mounted handle:
 - 100 to 600 - FHOH
 - 800 to 2000 - FHOHN
- Circuit breaker operator mechanism
- Operating cable:
 - 18.13" deep enclosures accept 36" or 48" cables;
 - 24.13" deep enclosures require a 48" cable
- These items are available from Siemens I-T-E as a complete mechanism with a 36" operating cable only Order items separately when using a 48" cable

Square D

Disconnect switch:

- Disconnect switch with operating mechanism
- Universal handle mechanism: Type A-1
- Long operating rod (if required)

Circuit breaker:

- Circuit breaker
- Operating mechanism
- Universal handle mechanism: Type A-1
- Long operating rod (if required)

Class 9422 Type T disconnect switch with a cable mechanism:

- Disconnect switch with operating mechanism: Class 9422, Type T
- Handle mechanism: Class 9422, Type A-1
- Cable mechanism: Class 9422 CFT_O, 3, 5, or 10 foot

Circuit breaker with a cable mechanism:

- Circuit breaker: Square D
- Handle mechanism: Class 9422, type A-1
- Cable mechanism: Class 9422 CFT_O, 3, 5, or 10 foot

UHDM Modular Disconnect Enclosures - NEMA 12

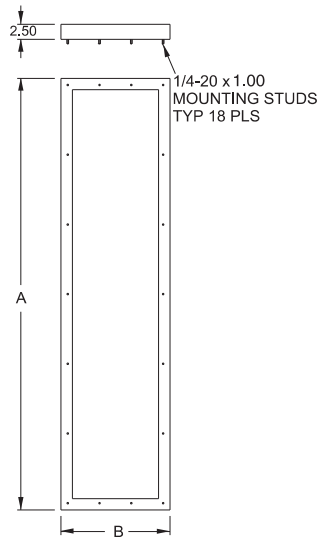
ABB Controls, Allen Bradley, Cutler Hammer, General Electric, Siemens I-T-E Max-Flex™, Square D

Disconnect

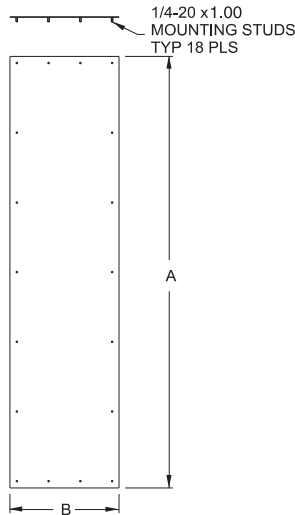
Freestanding Enclosures

Formed End Plates and Flat End Plates

- Formed from 12 gauge steel.
- Used to enclose the open end(s) of one or more modular enclosures.
- Two types are available. No separate gasket kit is required.



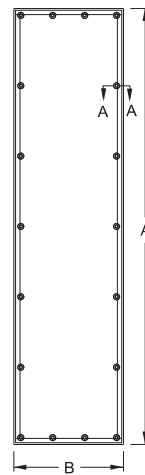
Formed End Plate



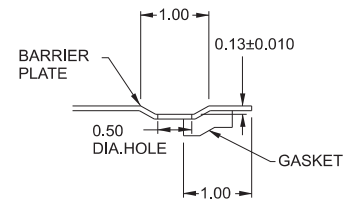
Flat End Plate

Flat Barrier Plate

- Formed from 14 gauge steel.
- May be used to provide a barrier between modular enclosures. They are supplied complete with gasket.



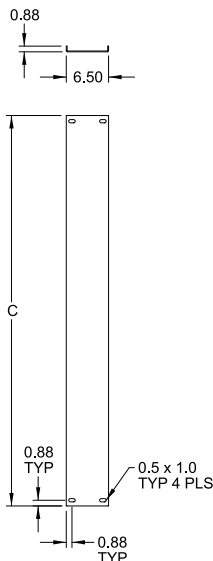
Flat Barrier Plate



Section A-A

Panel Bridge Kit

- Formed from 10 gauge steel.
- May be used to join back panels together between modular enclosures to provide a continuous panel surface.



Panel Bridge Kit

Accessories for Heavy Duty Modular NEMA 12 Enclosures for Flange Mounted Disconnects

Part No.	A	B	C	Description
UHDM7218ECA	71.86	17.87	—	Formed End Plate with
UHDM8418ECA	83.87	17.87	—	Mounting Hardware
UHDM8424ECA	83.87	23.87	—	
UHDM7218EPA	71.87	17.87	—	Flat End Plate with
UHDM8418EPA	83.87	17.87	—	Mounting Hardware
UHDM8424EPA	83.87	23.87	—	
UHDM7218BPA	71.87	17.87	—	Flat Barrier Plate with
UHDM8418BPA	83.87	17.87	—	Mounting Hardware
UHDM8424BPA	83.87	23.87	—	
UHDMFTC72BK	—	—	60	Inner Panel Bridge Kit
UHDMFTC84BK	—	—	72	

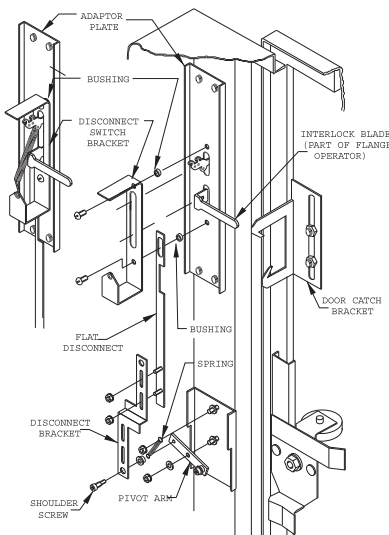
Universal Disconnect Enclosure - Operator Adaptor Kits

ABB Controls, Allen Bradley, Cutler Hammer, General Electric, Siemens I-T-E Max-Flex™, Square D

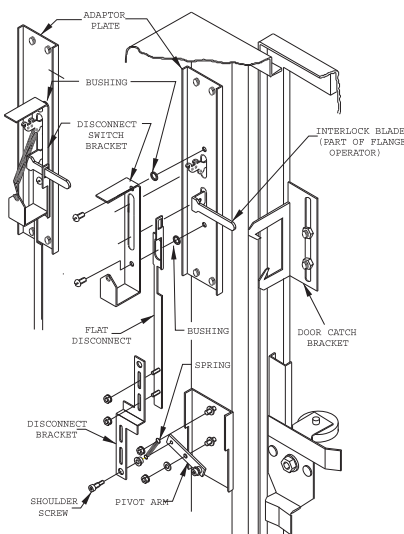
Operator Adaptor Kits

- All Universal series enclosures require one adaptor kit (ordered separately) to adapt the type of disconnect and mechanism to be used.
- Each brand and type requires a different adaptor kit.
- Each kit contains an adaptor plate and master door interlocking mechanism.
- Fully detailed, illustrated instructions included.

Version Shown
Allen Bradley - 1494V H1



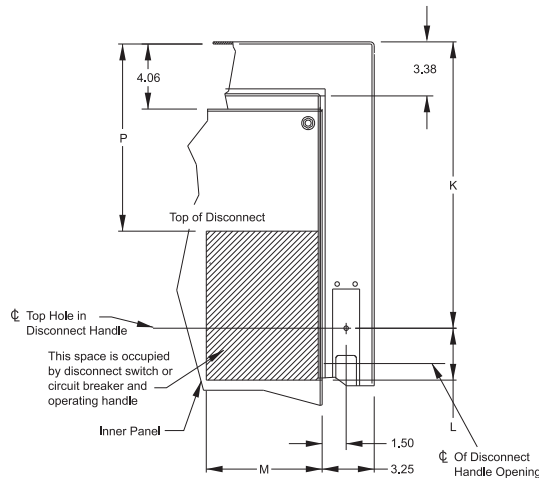
Version Shown
Allen Bradley - 1494V H2



Part No.	Operator Make	Type
AKU	ABB Controls operating handle	
	Disconnect Switch	DSFHN-HS12
	Circuit Breaker	K7FHD-HS12
	Allen Bradley variable depth operating handle	
	Disconnect Switch	1494V H1
	30-200	1494V H2
	400-600	1494V H11
	Cutler Hammer operating handle	
	Disconnect Switch	C361H1 or H3
	Circuit Breaker	
	• 150A	C371H1 or H3
	• 50 to 1200A	C371H5 or H7
	Circuit Breaker C371 Flex-Shaft™ handle mechanism.	
	General Electric operating handle	
	Disconnect Switch	STDA1or STDA2
	Circuit Breaker	STDA1or STDA2
	Circuit Breaker Spectra-Flex™ cable operators	
	• 150 to 600A	STDA1
	• K1200	STDA3
	Siemens I-T-E Max-Flex™ operating handle	
	Disconnect Switch variable depth	FHOHS
	Circuit Breaker	
	• 125 to 600	FHOH
	• 800 to 2000	FHOHN
	Square D class 9422 operating mechanism	
	Disconnect Switch variable depth	9422 type A1
	Circuit Breaker variable depth	9422 type A1
	Disconnect Switch with cable mechanism	9422 type A1
	Circuit Breaker with cable mechanism	9422 type A1
AK1494FD	Allen Bradley	1494F and D
BPAK	Blank Adapter Plate	

Disconnect

Freestanding Enclosures



Space Occupied by Disconnects

Note: Disconnects will occupy space on panel shown by dimensions "K", "L", and "M". Wiring space "P" is available when disconnect is installed in the enclosure. *The disconnect information and space occupied tables based on data supplied by disconnect manufacturer's bulletins. Hammond Manufacturing not responsible for dimensional accuracy.

Modular Freestanding



Modular Freestanding Enclosures

Modular Freestanding



Modular Freestanding Enclosures -
HME Series Single Door Enclosure
NEMA 12 **185**



Modular Freestanding Enclosures -
HMET Series Double Door Enclosure
NEMA 12 **187**



Modular Freestanding Enclosures -
HFMD/HFMDT Series Disconnect Enclosure
NEMA 12 **189**

Modular Freestanding Enclosures -
HME Accessories **191-204**

Modular Freestanding Enclosures - NEMA 12

HME Series Single Door Enclosure

Modular Freestanding



**Inner
Panel
Included**

**Side
Panels
Sold
Separately**

Single Door Enclosures

Application

- The HME product line provides users with a rugged housing for industrial control and operator interface in industrial environments.
- Modular design permits joining of units together for large scale and mixed use applications.
- Frame's 25mm hole pattern provides extensive component and accessory mounting flexibility.
- A broad range of industry standard sizes are offered.

Standards

- UL 508 Type 12
- CSA Type 12
- **Complies with**
 - NEMA Type 12
 - IEC 60529 IP54

Configuration

- Frame
- Removable solid top panel
- Lifting eyebolts (4)
- Removable bottom panel w/gland plates
- Solid front door with door frame
- Removable rear cover panel
- Inner mounting panel

Construction

- Formed 14 gauge steel.
- Fully welded frame with 25mm hole pattern for superior mounting flexibility.
- Seamless foam in place gasket.
- Reinforced eyebolts are provided for easy enclosure lifting.
- Frames can be joined together with an optional joining kit.
- Doors can be easily interchanged, removed and/or reversed.
- Door opening 135°.
- Optional formed 14 gauge steel side panels are sold separately (in pairs).
- Bonding and grounding studs are provided for all doors and panels.

Finish

- Phosphatized and finished in RAL 7035 light gray powder coating.
- Inner panel is unpainted galvanized 12 gauge steel.

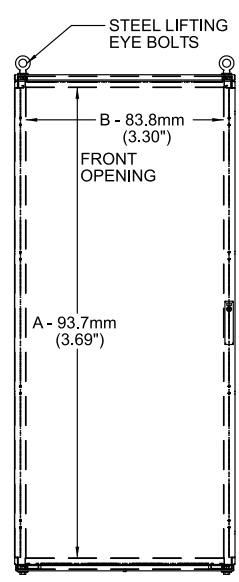
Accessories

- 19" mounting rails...see page **202**
- Casters...see page **194**
- Cooling - ACs...see page **349-367**
- Cooling - fans...see page **371-384**
- Door shelf...see page **200**
- Frame joining kit...see page **192**
- Grid mounting system
...see page **195-196**
- Grid system hardware
...see page **203**
- Ground kits...see page **203**
- Handles and inserts...see page **204**
- Interlock system...see page **202**
- Leveling feet...see page **191**
- Lifting angles...see page **194**
- Light kit and accessories
...see page **452**
- Literature pocket...see page **456**
- Panel - Bridge...see page **200**
- Panel - Barrier...see page **199**
- Swing Panel...see page **200**
- Swing Frame...see page **201**
- Plinth...see page **191**
- Side panels...see page **192**
- Tamper resistant screws
...see page **192**
- Top mount cable module
...see page **194**
- Window door...see page **193**

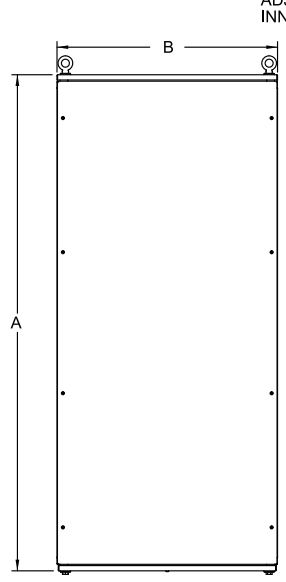
Modular Freestanding Enclosures - NEMA 12

HME Series Single Door Enclosure

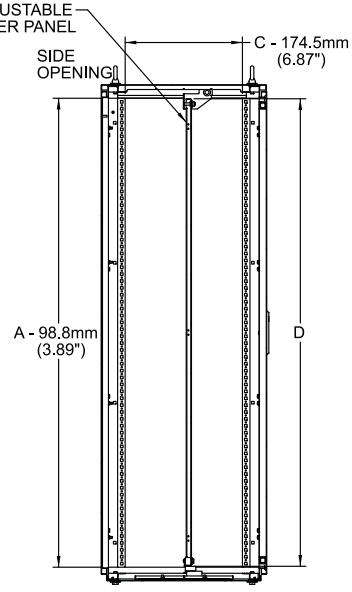
Modular Freestanding



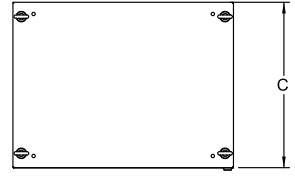
Front View



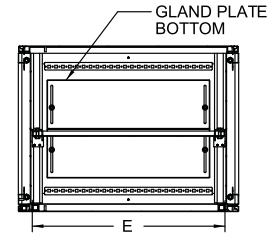
Rear View



**Side View
Cross Section**



Top View



**Bottom View
Cross Section**

Part Number	Overall Dimensions			Panel Dimensions		
	A	B	C	D	E	
HME1465	mm	1400	600	500	1296	499
	inch	55.12	23.62	19.69	51.03	19.65
HME1466	mm	1400	600	600	1296	499
	inch	55.12	23.62	23.62	51.03	19.65
HME1468	mm	1400	600	800	1296	499
	inch	55.12	23.62	31.5	51.03	19.65
HME1485	mm	1400	800	500	1296	699
	inch	55.12	31.5	19.69	51.03	27.52
HME1486	mm	1400	800	600	1296	699
	inch	55.12	31.5	23.62	51.03	27.52
HME1488	mm	1400	800	800	1296	699
	inch	55.12	31.5	31.5	51.03	27.52
HME1665	mm	1600	600	500	1496	499
	inch	62.99	23.62	19.69	58.9	19.65
HME1666	mm	1600	600	600	1496	499
	inch	62.99	23.62	23.62	58.9	19.65
HME1668	mm	1600	600	800	1496	499
	inch	62.99	23.62	31.5	58.9	19.65
HME1685	mm	1600	800	500	1496	699
	inch	62.99	31.5	19.69	58.9	27.52
HME1686	mm	1600	800	600	1496	699
	inch	62.99	31.5	23.62	58.9	27.52
HME1688	mm	1600	800	800	1496	699
	inch	62.99	31.5	31.5	58.9	27.52
HME1864	mm	1800	600	400	1696	499
	inch	70.87	23.62	15.75	66.77	19.65
HME1865	mm	1800	600	500	1696	499
	inch	70.87	23.62	19.69	66.77	19.65
HME1866	mm	1800	600	600	1696	499
	inch	70.87	23.62	23.62	66.77	19.65
HME1868	mm	1800	600	800	1696	499
	inch	70.87	23.62	31.5	66.77	19.65
HME1884	mm	1800	800	400	1696	699
	inch	70.87	31.5	15.75	66.77	27.52
HME1885	mm	1800	800	500	1696	699
	inch	70.87	31.5	19.69	66.77	27.52
HME1886	mm	1800	800	600	1696	699
	inch	70.87	31.5	23.62	66.77	27.52
HME1888	mm	1800	800	800	1696	699
	inch	70.87	31.5	31.5	66.77	27.52
HME18104	mm	1800	1000	400	1696	899
	inch	70.87	39.37	15.75	66.77	35.4
HME18105	mm	1800	1000	500	1696	899
	inch	70.87	39.37	19.69	66.77	35.4

Part Number	Overall Dimensions			Panel Dimensions		
	A	B	C	D	E	
HME18106	mm	1800	1000	600	1696	899
	inch	70.87	39.37	23.62	66.77	35.4
HME18108	mm	1800	1000	800	1696	899
	inch	70.87	39.37	31.5	66.77	35.4
HME2045	mm	2000	400	500	1896	299
	inch	78.74	15.75	19.69	74.65	11.77
HME2064	mm	2000	600	400	1896	499
	inch	78.74	23.62	15.75	74.65	19.65
HME2065	mm	2000	600	500	1896	499
	inch	78.74	23.62	19.69	74.65	19.65
HME2066	mm	2000	600	600	1896	499
	inch	78.74	23.62	23.62	74.65	19.65
HME2068	mm	2000	600	800	1896	499
	inch	78.74	23.62	31.5	74.65	19.65
HME2084	mm	2000	800	400	1896	699
	inch	78.74	31.5	15.75	74.65	27.52
HME2085	mm	2000	800	500	1896	699
	inch	78.74	31.5	19.69	74.65	27.52
HME2086	mm	2000	800	600	1896	699
	inch	78.74	31.5	23.62	74.65	27.52
HME2088	mm	2000	800	800	1896	699
	inch	78.74	31.5	31.5	74.65	27.52
HME20106	mm	2000	1000	600	1896	899
	inch	78.74	39.37	23.62	74.65	35.4
HME20108	mm	2000	1000	800	1896	899
	inch	78.74	39.37	31.5	74.65	35.4
HME2246	mm	2200	400	600	2096	299
	inch	86.62	15.75	23.62	82.52	11.77
HME2265	mm	2200	600	500	2096	499
	inch	86.62	23.62	19.69	82.52	19.65
HME2266	mm	2200	600	600	2096	499
	inch	86.62	23.62	23.62	82.52	19.65
HME2285	mm	2200	800	500	2096	699
	inch	86.62	31.5	19.69	82.52	27.52
HME2286	mm	2200	800	600	2096	699
	inch	86.62	31.5	23.62	82.52	27.52
HME2288	mm	2200	800	800	2096	699
	inch	86.62	31.5	31.5	82.52	27.52
HME22105	mm	2200	1000	500	2096	899
	inch	86.62	39.37	19.69	82.52	35.4
HME22106	mm	2200	1000	600	2096	899
	inch	86.62	39.37	23.62	82.52	35.4

Single Door Enclosures

Technical references and CAD downloads available at www.hammondmfg.com

All dimensions in inches unless specified otherwise

Quality Products. Service Excellence.

Modular Freestanding Enclosures - NEMA 12

HMET Series Double Door Enclosure

Modular Freestanding



**Inner
Panel
Included**

**Side
Panels
Sold
Separately**

Double Door Enclosures

Application

- The HMET 2 door product line provides users with a rugged housing for industrial control and operator interface in industrial environments.
- Modular design permits joining of units together for large scale and mixed use applications.
- Frame's 25mm hole pattern provides extensive component and accessory mounting flexibility.
- A broad range of industry standard sizes are offered.

Standards

- UL 508 Type 12
- CSA Type 12
- **Complies with**
 - NEMA Type 12
 - IEC 60529 IP54

Configuration

- Frame
- Removable solid top panel
- Lifting eyebolts (4)
- Removable bottom panel w/gland plates
- Two overlapping solid front doors with door frames
- Two removable rear cover panels with removable rear center post
- Full width inner mounting panel

Construction

- Formed 14 gauge steel.
- Fully welded frame with 25mm hole pattern for superior mounting flexibility.
- Seamless foam in place gasket.
- Reinforced eyebolts are provided for easy enclosure lifting.
- Frames can be joined together with an optional joining kit.
- Doors can be easily interchanged, removed and/or reversed.
- Door opening 135°.
- Optional formed 14 gauge steel side panels are sold separately (in pairs).
- Bonding and grounding studs are provided for all doors and panels.

Finish

- Phosphatized and finished in RAL 7035 light gray powder coating.
- Inner panel is unpainted galvanized 12 gauge steel.

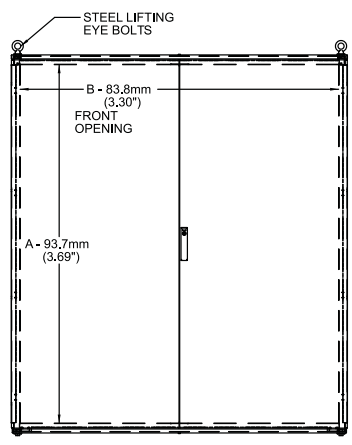
Accessories

- 19" mounting rails...see page [202](#)
- Casters...see page [194](#)
- Cooling - ACs...see page [349-367](#)
- Cooling - fans...see page [371-384](#)
- Door shelf...see page [200](#)
- Frame joining kit...see page [192](#)
- Grid mounting system
...see page [195-196](#)
- Grid system hardware
...see page [203](#)
- Ground kits...see page [203](#)
- Handles and inserts...see page [204](#)
- Interlock system...see page [202](#)
- Leveling feet...see page [191](#)
- Lifting angles...see page [194](#)
- Light kit and accessories
...see page [452](#)
- Literature pocket...see page [456](#)
- Panel - Bridge...see page [200](#)
- Panel - Barrier...see page [199](#)
- Plinth...see page [191](#)
- Side panels...see page [192](#)
- Tamper resistant screws
...see page [192](#)
- Top mount cable module
...see page [194](#)

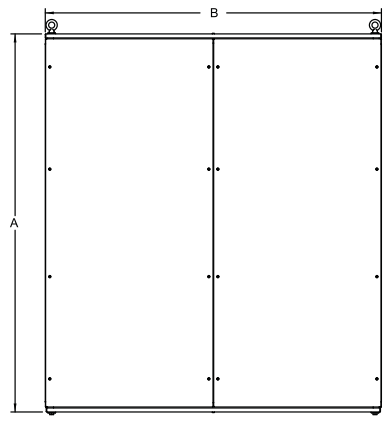
Modular Freestanding Enclosures - NEMA 12

HMET Series Double Door Enclosure

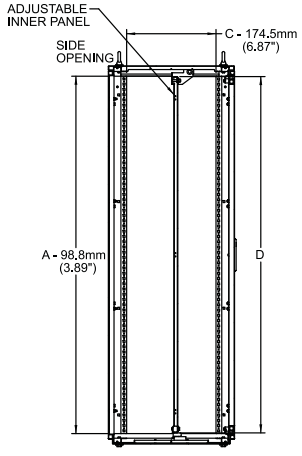
Modular Freestanding



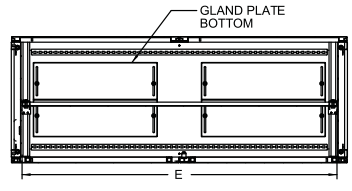
Front View



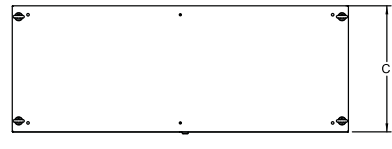
Rear View



Side View Cross Section



Bottom View Cross Section



Top View

Part Number	Overall Dimensions			Panel Dimensions		
	A	B	C	D	E	
HMET14125	mm	1400	1200	500	1296	1099
	inch	55.12	47.25	19.69	51.03	43.27
HMET14126	mm	1400	1200	600	1296	1099
	inch	55.12	47.25	23.62	51.03	43.27
HMET14128	mm	1400	1200	800	1296	1099
	inch	55.12	47.25	31.50	51.03	43.27
HMET16125	mm	1600	1200	500	1496	1099
	inch	62.99	47.25	19.69	58.90	43.27
HMET16126	mm	1600	1200	600	1496	1099
	inch	62.99	47.25	23.62	58.90	43.27
HMET16128	mm	1600	1200	800	1496	1099
	inch	62.99	47.25	31.50	58.90	43.27
HMET1886	mm	1800	800	600	1696	699
	inch	70.87	31.50	23.62	66.77	27.52
HMET1885	mm	1800	800	500	1696	699
	inch	70.87	31.50	19.69	66.77	27.52
HMET18104	mm	1800	1000	400	1696	899
	inch	70.87	39.37	15.75	66.77	35.40
HMET18124	mm	1800	1200	400	1696	1099
	inch	70.87	47.25	15.75	66.77	43.27
HMET18125	mm	1800	1200	500	1696	1099
	inch	70.87	47.25	19.69	66.77	43.27
HMET18126	mm	1800	1200	600	1696	1099
	inch	70.87	47.25	23.62	66.77	43.27
HMET18128	mm	1800	1200	800	1696	1099
	inch	70.87	47.25	31.50	66.77	43.27
HMET18164	mm	1800	1600	400	1696	1499
	inch	70.87	62.99	15.75	66.77	59.02
HMET18165	mm	1800	1600	500	1696	1499
	inch	70.87	62.99	19.69	66.77	59.02
HMET18166	mm	1800	1600	600	1696	1499
	inch	70.87	62.99	23.62	66.77	59.02
HMET18168	mm	1800	1600	800	1696	1499
	inch	70.87	62.99	31.50	66.77	59.02
HMET18184	mm	1800	1800	400	1696	1699
	inch	70.87	70.87	15.75	66.77	66.89

Part Number	Overall Dimensions			Panel Dimensions		
	A	B	C	D	E	
HMET18185	mm	1800	1800	500	1696	1699
	inch	70.87	70.87	19.69	66.77	66.89
HMET18186	mm	1800	1800	600	1696	1699
	inch	70.87	70.87	23.62	66.77	66.89
HMET18188	mm	1800	1800	800	1696	1699
	inch	70.87	70.87	31.50	66.77	66.89
HMET20105	mm	2000	1000	500	1896	899
	inch	78.74	39.37	19.69	74.65	35.40
HMET20106	mm	2000	1000	600	1896	899
	inch	78.74	39.37	23.62	74.65	35.40
HMET20124	mm	2000	1200	400	1896	1099
	inch	78.74	47.25	15.75	74.65	43.27
HMET20125	mm	2000	1200	500	1896	1099
	inch	78.74	47.25	19.69	74.65	43.27
HMET20126	mm	2000	1200	600	1896	1099
	inch	78.74	47.25	23.62	74.65	43.27
HMET20128	mm	2000	1200	800	1896	1099
	inch	78.74	47.25	31.50	74.65	43.27
HMET20165	mm	2000	1600	500	1896	1499
	inch	78.74	62.99	19.69	74.65	59.02
HMET20166	mm	2000	1600	600	1896	1499
	inch	78.74	62.99	23.62	74.65	59.02
HMET20168	mm	2000	1600	800	1896	1499
	inch	78.74	62.99	31.50	74.65	59.02
HMET20185	mm	2000	1800	500	1896	1699
	inch	78.74	70.87	19.69	74.65	66.89
HMET20186	mm	2000	1800	600	1896	1699
	inch	78.74	70.87	23.62	74.65	66.89
HMET20188	mm	2000	1800	800	1896	1699
	inch	78.74	70.87	31.50	74.65	66.89
HMET22106	mm	2200	1000	600	2096	899
	inch	86.62	39.37	23.62	82.52	35.40
HMET22125	mm	2200	1200	500	2096	1099
	inch	86.62	47.25	19.69	82.52	43.27
HMET22126	mm	2200	1200	600	2096	1099
	inch	86.62	47.25	23.62	82.52	43.27

Double Door Enclosures

Technical references and CAD downloads available at www.hammondmfg.com

All dimensions in inches unless specified otherwise

Quality Products. Service Excellence.

Modular Freestanding Enclosures - NEMA 12

HFMD/HFMDT Series Disconnect Enclosure


HFMD - 1DR

HFMDT - 2DR

- **General Electric:** Type STDA flange mounted variable depth flange operators for disconnect switches up to and including 200 amp and circuit breakers up to 600 amp or Spectra Flex™ cable operators for circuit breakers.
- **ITE Siemens Max-Flex:** flange mounted variable depth cable operators for disconnect switches up to 200 amp and circuit breakers up to 600 amp.
- **Square D:** class 9422 variable depth flange mounted operating mechanisms for disconnect switches up to and including 200 amp or cable mechanism for 30, 60 or 100 amp, also circuit breakers with variable depth operators or cable mechanism up to 400 amp.

Standards

- UL 508 Type 12
- CSA Type 12
- **Complies with**
 - NEMA Type 12
 - IEC 60529 IP54
- Appropriate components are required to maintain these standards.

Standard Configuration

- Frame
- Removable solid top panel
- Lifting eyebolts (4)
- Removable bottom panel w/gland plates
- Solid front door(s) with door frame(s).
- Removable rear cover panel(s) – two door version with removable center post
- Inner mounting panel
- Disconnect to door handle activation hardware
- Hinged flange door

Construction

- Formed 14 gauge steel.
- Fully welded frame with 25mm hole pattern for superior mounting flexibility.
- Seamless foam in place gasket.
- Reinforced eyebolts are provided for easy enclosure lifting.
- Frames can be joined together with an optional joining kit.
- Doors can be easily interchanged, removed and/or reversed.
- Door opening 135°.
- Optional formed 14 gauge steel side panels are sold separately (in pairs).
- Bonding and grounding studs are provided for all doors and panels.

Finish

- Phosphatized and finished in RAL 7035 light gray powder coating.
- Inner panel is unpainted galvanized 12 gauge steel.

Accessories

- 19" mounting rails...see page **202**
- Casters...see page **194**
- Cooling - ACs...see page **349-367**
- Cooling - fans...see page **371-384**
- Door shelf...see page **200**
- Frame joining kit...see page **192**
- Grid mounting system
...see page **195**
- Grid system hardware
...see page **203**
- Ground kits...see page **203**
- Handles and inserts...see page **204**
- Interlock system...see page **202**
- Leveling feet...see page **191**
- Lifting angles...see page **194**
- Light kit and accessories
...see page **452**
- Literature pocket...see page **456**
- Panel - Bridge...see page **200**
- Panel - Barrier...see page **199**
- Swing Panel...see page **200**
- Swing Frame...see page **201**
- Plinth...see page **191**
- Side panels...see page **192**
- Tamper resistant screws
...see page **192**
- Top mount cable module
...see page **194**

Application

- The HFMD 1 door and HFMDT 2 door product lines provides users with a rugged housing for flange mount disconnect and circuit breaker requirements.
- Modular design permits joining of units together for large scale and mixed use applications.
- Frame's 25mm hole pattern provides extensive component and accessory mounting flexibility.
- A broad range of industry standard sizes are offered.
- HME/HMET Series enclosures can be used as slave units to HFMD/HFMDT Disconnect Series.
- The flange mount disconnect units accommodate today's most popular disconnect hardware.
- **ABB Controls:** Disconnect Switches up to (and including) 200 amp, also operators for ABB circuit breakers up to 800 amp.
- **Allen Bradley:** 1494V variable depth flange mounted disconnect up to and including 200 amp and operators for C-H Westinghouse circuit breakers up to 400 amp.
- **C-H Westinghouse:** C361 flange mounted disconnect switches up to and including 200 amp and C371 circuit breakers up to 600 amp, also Flex Shaft handle mechanisms for circuit breakers.

 Technical references and CAD downloads available at www.hammondmfg.com

All dimensions in inches unless specified otherwise

Modular Freestanding Enclosures - NEMA 12

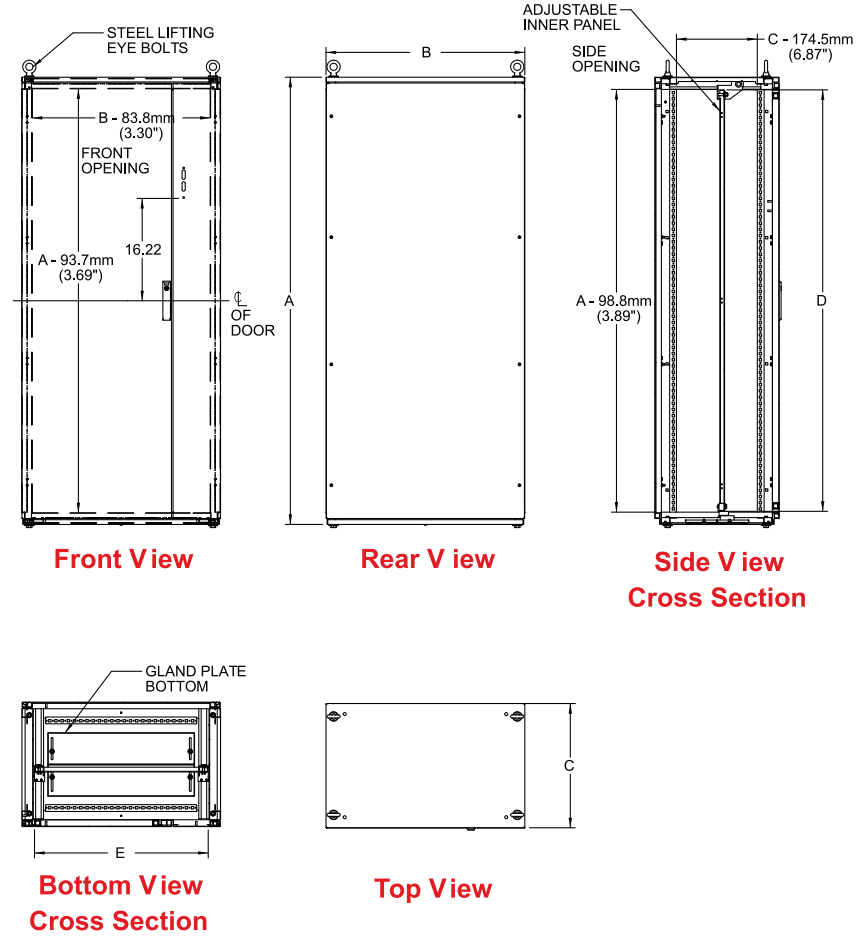
HFMD/HFMDT Series Disconnect Enclosure

Modular Freestanding



Inner Panel Included

Side Panels Sold Separately



Disconnect Enclosures

Single Door

Part Number	Overall Dimensions			Panel Dimensions		
	A	B	C	D	E	
HFMD1485	mm	1400	800	500	1296	699
	inch	55.12	31.5	19.69	51.03	27.52
HFMD14105	mm	1400	1000	500	1296	899
	inch	55.12	39.37	19.69	51.03	35.4
HFMD1685	mm	1600	800	500	1496	699
	inch	62.99	31.5	19.69	58.9	27.52
HFMD1686	mm	1600	800	600	1496	699
	inch	62.99	31.5	23.62	58.9	27.52
HFMD1884	mm	1800	800	400	1696	699
	inch	70.87	31.5	15.75	66.77	27.52
HFMD1885	mm	1800	800	500	1696	699
	inch	70.87	31.5	19.69	66.77	27.52
HFMD18105	mm	1800	1000	500	1696	899
	inch	70.87	39.37	19.69	66.77	35.4
HFMD2085	mm	2000	800	500	1896	699
	inch	78.74	31.5	19.69	74.65	27.52
HFMD2086	mm	2000	800	600	1896	699
	inch	78.74	31.5	23.62	74.65	27.52
HFMD2088	mm	2000	800	800	1896	699
	inch	78.74	31.5	31.5	74.65	27.52
HFMD20105	mm	2000	1000	500	1896	899
	inch	78.74	39.37	19.69	74.65	35.4
HFMD20106	mm	2000	1000	600	1896	899
	inch	78.74	39.37	23.62	74.65	35.4
HFMD2286	mm	2200	800	600	2096	699
	inch	86.62	31.5	23.62	82.52	27.52
HFMD22105	mm	2200	1000	500	2096	899
	inch	86.61	39.37	19.69	82.52	35.39

Double Door

Part Number	Overall Dimensions			Panel Dimensions		
	A	B	C	D	E	
HFMDT18164	mm	1800	1600	400	1696	1499
	inch	70.87	62.99	15.75	66.77	59.02
HFMDT18165	mm	1800	1600	500	1696	1499
	inch	70.87	62.99	19.69	66.77	59.02
HFMDT18184	mm	1800	1800	400	1696	1699
	inch	70.87	70.87	15.75	66.77	66.89
HFMDT18185	mm	1800	1800	500	1696	1699
	inch	70.87	70.87	19.69	66.77	66.89
HFMDT18186	mm	1800	1800	600	1696	1699
	inch	70.87	70.87	23.62	66.77	66.89
HFMDT20165	mm	2000	1600	500	1896	1499
	inch	78.74	62.99	19.69	74.65	59.02
HFMDT20166	mm	2000	1600	600	1996	1499
	inch	78.74	62.99	23.62	78.58	59.02
HFMDT20168	mm	2000	1600	800	1896	1499
	inch	78.74	62.99	31.50	74.65	59.02
HFMDT20185	mm	2000	1800	500	1896	1699
	inch	78.74	70.87	19.69	74.65	66.89

Technical references and CAD downloads available at www.hammondmfg.com

All dimensions in inches unless specified otherwise

Quality Products. Service Excellence.

Modular Freestanding Enclosures - NEMA 12

HME Accessories

Modular Freestanding



Side Panels sold separately

Plinth

- Plinths install under enclosure for additional cable entry space and/or access
- Adds 4" (100mm) or 8" (200mm) to overall enclosure height.
- HPLW contains 4 corner supports along with corresponding front and rear panels.
- HPLD plinth side panels ordered separately to close ends.
- All panels are easily removable for quick access.
- Comes complete with all mounting hardware.
- Compatible with leveling feet or casters
- Finished in black.



Plinth Corners and Front/Back Panels

Part Number	Height (mm)	Use w/ HME Width (mm)
HPLW14	100	400
HPLW16	100	600
HPLW18	100	800
HPLW110	100	1000
HPLW112	100	1200
HPLW116	100	1600
HPLW118	100	1800
HPLW24	200	400
HPLW26	200	600
HPLW28	200	800
HPLW210	200	1000
HPLW212	200	1200
HPLW216	200	1600
HPLW218	200	1800

Plinth Side Panels (pair)

Part Number	Height (mm)	Use w/ HME Depth (mm)
HPLD14	100	400
HPLD15	100	500
HPLD16	100	600
HPLD18	100	800
HPLD24	200	400
HPLD25	200	500
HPLD26	200	600
HPLD28	200	800



HME Accessories



Leveling Feet

- Set of 4 leveling feet.
- 4 leveling feet will support a maximum of 2600 lbs static load
- 1.57" dia base
- Leveling foot adds 1.1" to overall height of cabinet when used with optional plinth. Adds 1.5" when used on cabinet frame base.

Part Number	Description
HLF4	Set of 4 feet

Modular Freestanding Enclosures - NEMA 12

HME Accessories

Modular Freestanding



Side Panels

- Maintains UL/CSA Type 12 approvals.
- Screws fasten into frame. Optional tamper resistant screws available.
- Bond studs provided for grounding.
- Finished in RAL 7035 light gray.
- Sold in quantities of two.

Part Number	For Use with HME	
	Height (mm)	Depth (mm)
HSP145	1400	500
HSP146	1400	600
HSP148	1400	800
HSP165	1600	500
HSP166	1600	600
HSP168	1600	800
HSP184	1800	400
HSP185	1800	500
HSP186	1800	600
HSP188	1800	800
HSP204	2000	400
HSP205	2000	500
HSP206	2000	600
HSP208	2000	800
HSP225	2200	500
HSP226	2200	600
HSP228	2200	800



HME Accessories



Tamper Resistant Screws

- Replacement screws for side and rear panels.
- Provide added safety and security.
- Package consists of 8 security hex screws and 1 security hex key.
- Please see the chart below to determine how many kits to order.

Part No. **ISPTPKIT**

Component	# Screws Req'd	# Kits to Order
Side Panels (Pair)	16	2
Rear Panel (600, 700, 800, 1000 mm)	8	1
Rear Panel (1200, 1600 mm)	16	2



Frame Joining Kit

- Heavy duty bolting kit connects side by side units at 8 points.
- Maintains UL/CSA Type 12 approvals.

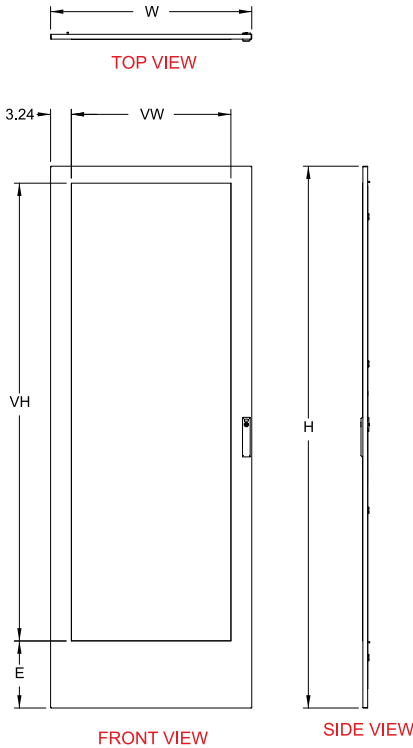
Part Number	Description
HMEJK	Heavy duty frame bolting kit

Modular Freestanding Enclosures - NEMA 12

HME Accessories

Modular Freestanding

HME Accessories



Window Door

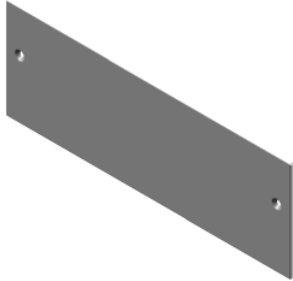
- For use with HME Single Door Series only
- Provides maximum viewing area of enclosure equipment
- Maintains NEMA/UL/CSA Type 12 rating
- UL - 94-VO clear polycarbonate window
- Removable and reversible for left or right hand opening
- Complete with double bit insert latching mechanism
- Door opening 135°
- **Note: check compatibility with HFMD and HFMDT**

Part No.	Viewing Area			For use with Cabinet		
	Height	Width	E	Height	Width	
HMEDW146	mm	1219	434	67	1400	600
	inch	47.98	17.10	2.64	55.12	23.62
HMEDW148	mm	1219	635	67	1400	800
	inch	47.98	24.98	2.64	55.12	31.5
HMEDW166	mm	1419	434	67	1600	600
	inch	55.85	17.10	2.64	62.99	23.62
HMEDW168	mm	1419	635	67	1600	800
	inch	55.85	24.98	2.64	62.99	31.5
HMEDW186	mm	1617	434	67	1800	600
	inch	63.67	17.10	2.64	70.87	23.62
HMEDW188	mm	1617	635	67	1800	800
	inch	63.67	24.98	2.64	70.87	31.5
HMEDW206	mm	1819	434	67	2000	600
	inch	71.6	17.10	2.64	78.74	23.62
HMEDW208	mm	1819	635	67	2000	800
	inch	71.6	24.98	2.64	78.74	31.5
HMEDW226	mm	1819	434	266	2200	600
	inch	71.06	17.10	10.49	86.62	23.62
HMEDW228	mm	1819	635	266	2200	800
	inch	71.06	24.98	10.49	86.62	31.5

Modular Freestanding Enclosures - NEMA 12

HME Accessories

Modular Freestanding


Top Cabling Module

Side Panels


Top Mount Cable Module and Side Panels

- Provides a space for cable organization along top of HME cabinet(s).
- Mounts directly to top of HME cabinet (with top panel removed) with matching WxD dimensions.
- Top Module consists of frame (similar to HME overall frame) with removable front and rear panels.
- Side panels (pair) sold separately. (Note: Standard top panel from HME cabinet fits on matching WxD version of Top Module).
- Finished in RAL7035 light gray.

Part Number	Description	H	W	D
HTCM46	Top Cabling Module	200	400	600
HTCM66	Top Cabling Module	200	600	600
HTCM86	Top Cabling Module	200	800	600
HTCM106	Top Cabling Module	200	1000	600
HTCM126	Top Cabling Module	200	1200	600
HTCM346	Top Cable Module	300	400	600
HTCM366	Top Cable Module	300	600	600
HTCM386	Top Cable Module	300	800	600
HTCM3106	Top Cable Module	300	1000	600
HTCM3126	Top Cable Module	300	1200	600
HTCMS6	Side Panels for 200mm Top Cabling Module	200	n/a	600
HTCMS36	Side Panels for 300 mm top Cable Module	300	n/a	600

HME Accessories



Casters

- Heavy duty casters set of 4 consisting of 2 locking and 2 non locking
- Features ball bearing swivel and hard composition wheels.
- Mfg rating of 1000 lbs set of 4
- Wheels are 4" diameter
- Threads into base

Part No. **1425HME**



Lifting Angles

- Used to replace lifting eyes for ganged enclosures
- Overall height 3.1" with eyelet hole 1.375"
- Kit includes 2 plated angle and hardware
- Weight capacity 2000 lbs per pair

Part No. **HMELA2**

Modular Freestanding Enclosures - NEMA 12

HME Accessories

Modular Freestanding



25mm



75mm

Grid System

- Constructed of 14 gauge steel, galvanized.
- There are 4 styles: (1) 25mm wide Depth Grid Strap, (2) 75mm wide Depth Grid Strap, (3) 75mm wide Vertical Grid Strap and (4) 25mm wide Door Support Rail
- Grid Straps feature pattern of alternating square holes (for cage nut) and round holes (for M5 or #12 screw) at standard 25mm centers. Door Support Rails have round holes only.
- Depth Grid Straps and Door Support Rails have mounting flanges at either end.
- Vertical Grid Straps mount flush (butt end bracket included) to other straps for a smooth continuous mounting surface. (To achieve full height vertical strap, 2 x 75mm Depth Grid Straps required for top and bottom).
- Sold in pairs.

Depth Grid Straps

Part Number	Description	Length (mm)	Fits Full Depth HME (mm)
HGD14	25mm wide with mounting flange	222	400
HGD15	25mm wide with mounting flange	323	500
HGD16	25mm wide with mounting flange	423	600
HGD18	25mm wide with mounting flange	623	800
HGD34	75mm wide with mounting flange	223	400
HGD35	75mm wide with mounting flange	323	500
HGD36	75mm wide with mounting flange	423	600
HGD38	75mm wide with mounting flange	623	800

HME Accessories

Modular Freestanding Enclosures - NEMA 12

HME Accessories

Modular Freestanding



Vertical Grid Straps

Part Number	Description	Length (mm)	Fits Full Height HME (mm)
HGV35	75mm wide with flush mount bracket	350	n/a
HGV55	75mm wide with flush mount bracket	550	n/a
HGV75	75mm wide with flush mount bracket	750	n/a
HGV95	75mm wide with flush mount bracket	950	n/a
HGV115	75mm wide with flush mount bracket	1150	1400*
HGV135	75mm wide with flush mount bracket	1350	1600*
HGV155	75mm wide with flush mount bracket	1550	1800*
HGV175	75mm wide with flush mount bracket	1750	2000*
HGV195	75mm wide with flush mount bracket	1950	2200*

* - Requires 75mm wide Depth Grid Straps mounted in cabinet above and below.



Door Support Rails

Part Number	Description	Length (mm)	Fits HME Door Width (mm)
HGDSR4	25mm wide with mounting flange	248	400
HGDSR5	25mm wide with mounting flange	348	500
HGDSR6	25mm wide with mounting flange	448	600
HGDSR8	25mm wide with mounting flange	648	800
HGDSR9	25mm wide with mounting flange	748	900*
HGDSR10	25mm wide with mounting flange	848	1000

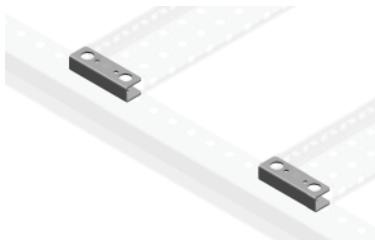
* - 900mm width refers to doors on 1800mm wide cabinet

HME Accessories



Grid Strap Spacer

- Constructed of 14 gauge steel galvanized
- Designed as a spacer for 75mm grid straps when mounted front to back on bottom flanges
- Can be used for terminal straps and grounding bars
- Sold in pairs

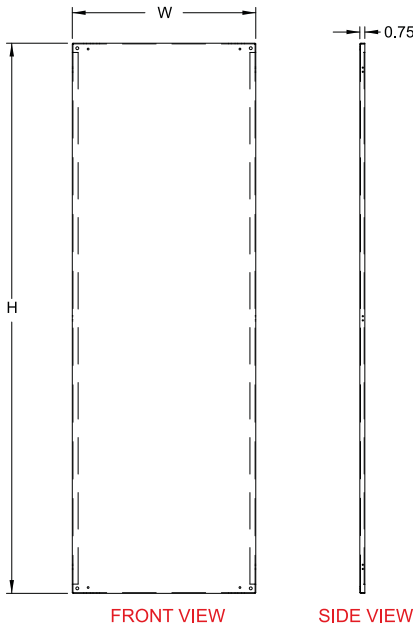


Part Number	Description
HGS3	Grid Spacer 75mm x 17.5mm

Modular Freestanding Enclosures - NEMA 12

HME Accessories

Modular Freestanding

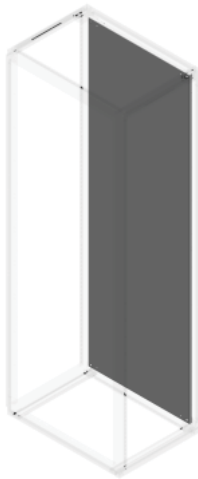


Additional Inner Panels

- Formed 12 gauge galvanized steel unpainted
- Included with standard configuration
- Sold separately as secondary or replacement panel
- Can be used as swing panel (where indicated * - sold separately)
- Inner panel attachment hardware sold separately as required

Part No.		Overall		For use with Cabinet	
		Height	Width	Height	Width
HMEP146 *	mm	1296	499	1400	600
	inch	51.02	19.65	55.12	23.62
HMEP148 *	mm	1296	699	1400	800
	inch	51.02	27.52	55.12	31.50
HMEP1410	mm	1296	899	1400	1000
	inch	51.02	35.39	55.12	39.37
HMEP1412	mm	1296	1099	1400	1200
	inch	51.02	43.27	55.12	47.25
HMEP166 *	mm	1296	499	1600	600
	inch	58.90	19.65	62.99	23.62
HMEP168 *	mm	1496	699	1600	800
	inch	58.90	27.52	62.99	31.50
HMEP1612	mm	1496	1099	1600	1200
	inch	58.90	43.27	62.99	47.25
HMEP186 *	mm	1496	499	1800	600
	inch	66.77	19.65	70.87	23.62
HMEP188 *	mm	1696	699	1800	800
	inch	66.77	27.52	70.87	31.50
HMEP1810	mm	1696	899	1800	1000
	inch	66.77	35.39	70.87	39.37
HMEP1812	mm	1696	1099	1800	1200
	inch	66.77	43.27	70.87	47.25
HMEP1816	mm	1696	1499	1800	1600
	inch	66.77	59.02	70.87	62.99
HMEP1818	mm	1660	1699	1800	1800
	inch	66.77	66.89	70.87	70.87
HMEP204	mm	1660	299	2000	400
	inch	74.65	11.77	78.74	15.75
HMEP206 *	mm	1896	499	2000	600
	inch	74.65	19.65	78.74	23.62
HMEP208 *	mm	1896	699	2000	800
	inch	74.65	27.52	78.74	31.50
HMEP2010	mm	1896	899	2000	1000
	inch	74.65	35.39	78.74	39.37
HMEP2012	mm	1896	1099	2000	1200
	inch	74.65	43.27	78.74	47.25
HMEP2016	mm	1896	1499	2000	1600
	inch	74.65	59.02	78.74	62.99
HMEP2018	mm	1896	1699	2000	1800
	inch	74.65	66.89	78.74	70.87
HMEP224	mm	1896	299	2200	400
	inch	74.65	11.77	86.62	15.75
HMEP226 *	mm	1896	499	2200	600
	inch	82.52	19.65	86.62	23.62
HMEP228 *	mm	2096	699	2200	800
	inch	82.52	27.52	86.62	31.50
HMEP2210	mm	2096	899	2200	1000
	inch	82.52	35.39	86.62	39.37
HMEP2212	mm	2096	1099	2200	1200
	inch	82.52	43.27	86.62	47.25

HME Accessories



Inner panel hardware

- Required to install above inner panels to HME frame



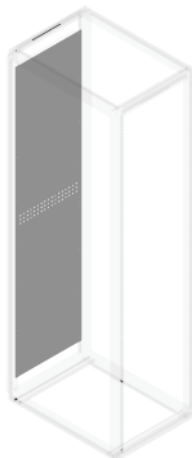
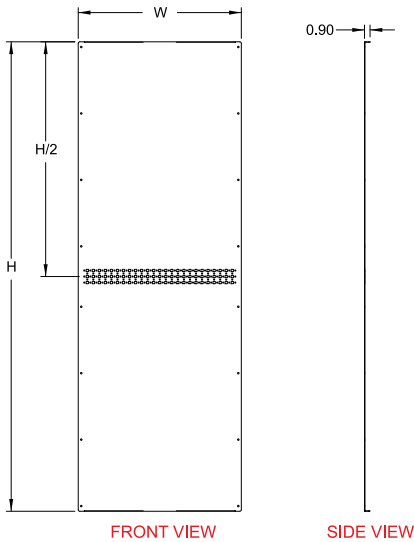
Part Number	Description
HMEIPMTG	Inner panel Mounting hardware

Modular Freestanding Enclosures - NEMA 12

HME Accessories

Side Mounting Inner panels

- Sold individually
- Formed 14 gauge galvanized steel unpainted
- Mounts directly to frame
- Can be used in combination with depth grid straps (top and bottom)
- Allows installation of 19" mounting rails including center support
- Reduced height may allow cable pass through on ganged cabinets

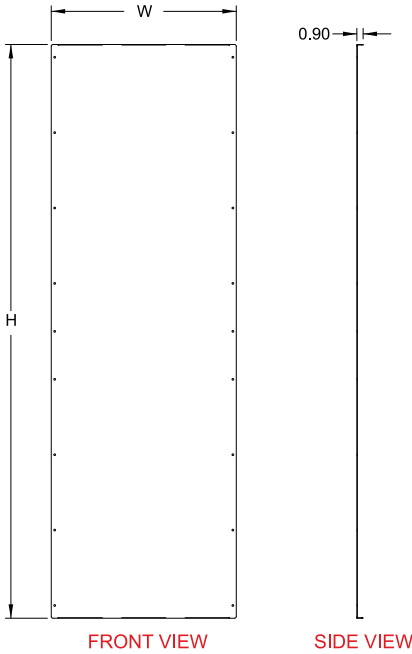


Part No.		Overall		For use with Cabinet	
		Height	Width	Height	Depth
HSIP145	mm	1143	375	1400	500
	inch	45.00	14.76	55.12	19.65
HSIP146	mm	1143	475	1400	600
	inch	45.00	18.70	55.12	23.62
HSIP148	mm	1143	675	1400	800
	inch	45.00	26.57	55.12	31.5
HSIP165	mm	1343	375	1600	500
	inch	52.87	14.76	62.99	19.65
HSIP166	mm	1343	475	1600	600
	inch	52.87	18.7	62.99	23.62
HSIP168	mm	1343	675	1600	800
	inch	52.87	26.57	62.99	31.5
HSIP184	mm	1543	275	1800	400
	inch	60.74	10.82	70.87	15.75
HSIP185	mm	1543	375	1800	500
	inch	60.74	14.76	70.87	19.65
HSIP186	mm	1543	475	1800	600
	inch	60.74	18.70	70.87	23.62
HSIP188	mm	1573	675	1800	800
	inch	60.74	26.57	70.87	31.5
HSIP204	mm	1743	275	2000	400
	inch	68.62	10.82	78.74	15.75
HSIP205	mm	1743	375	2000	500
	inch	68.72	14.76	78.74	19.69
HSIP206	mm	1743	475	2000	600
	inch	68.72	18.70	78.74	23.62
HSIP208	mm	1743	675	2000	800
	inch	68.72	26.57	78.74	31.5
HSIP225	mm	1943	375	2200	500
	inch	76.49	14.76	86.62	19.69
HSIP226	mm	1943	475	2200	600
	inch	76.49	18.70	86.62	23.62
HSIP228	mm	1943	675	2200	800
	inch	76.49	16.57	86.62	31.5

Modular Freestanding Enclosures - NEMA 12

HME Accessories

Modular Freestanding

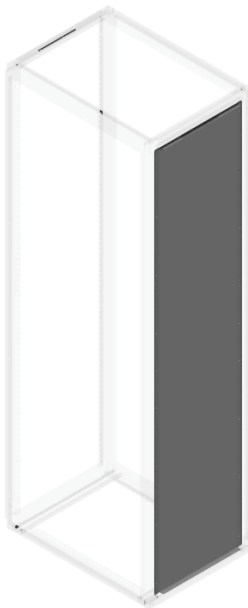


Side Mounting Barrier Panels

- Sold individually
- Formed 14 gauge galvanized steel unpainted
- Mounts directly to frame
- Full height and depth panel creating a full barrier between cells
- No provision for depth grid straps or 19" mounting rails
- Can be used as a mounting surface



Part No.		Overall		For use with Cabinet	
		Height	Width	Height	Depth
HSBP145	mm	1293	375	1400	500
	inch	50.90	14.76	55.12	19.65
HSBP146	mm	1293	475	1400	600
	inch	50.90	18.70	55.12	23.62
HSBP148	mm	1293	675	1400	800
	inch	50.90	26.57	55.12	31.5
HSBP165	mm	1493	375	1600	500
	inch	58.78	14.76	62.99	19.65
HSBP166	mm	1493	475	1600	600
	inch	58.78	18.70	62.99	23.62
HSBP168	mm	1493	675	1600	800
	inch	58.78	26.57	62.99	31.5
HSBP184	mm	1693	275	1800	400
	inch	66.65	10.82	70.87	15.75
HSBP185	mm	1693	375	1800	500
	inch	66.65	14.76	70.87	19.65
HSBP186	mm	1693	475	1800	600
	inch	66.65	18.70	70.87	23.62
HSBP188	mm	1693	675	1800	800
	inch	66.65	26.57	70.87	31.5
HSBP204	mm	1893	275	2000	400
	inch	74.53	10.82	78.74	15.75
HSBP205	mm	1893	375	2000	500
	inch	74.53	14.76	78.74	19.69
HSBP206	mm	1893	475	2000	600
	inch	74.53	18.70	78.74	23.62
HSBP208	mm	1893	675	2000	800
	inch	74.53	26.57	78.74	31.5
HSBP225	mm	2093	375	2200	500
	inch	82.40	14.76	86.62	19.69
HSBP226	mm	2093	475	2200	600
	inch	82.40	18.70	86.62	23.62
HSBP228	mm	2093	675	2200	800
	inch	82.40	26.57	86.62	31.5



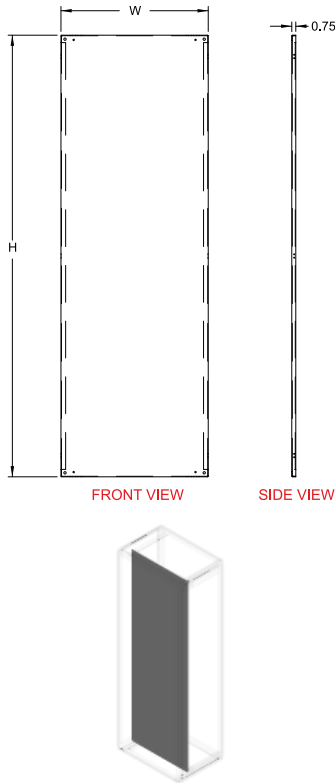
HME Accessories

Modular Freestanding Enclosures - NEMA 12

HME Accessories

Modular Freestanding

HME Accessories



Swing Panel

- Formed 12 gauge galvanized steel unpainted
- Requires Swing Kit sold separately

Part No.		Overall		For use with Cabinet	
		Height	Width	Height	Width
HMEP146	mm	1296	499	1400	600
	inch	51.03	23.62	55.12	23.62
HMEP148	mm	1296	699	1400	800
	inch	51.03	27.52	55.12	31.5
HMEP166	mm	1496	499	1600	600
	inch	58.9	23.62	62.99	23.62
HMEP168	mm	1496	699	1600	800
	inch	58.9	27.52	62.99	31.5
HMEP186	mm	1696	499	1800	600
	inch	66.77	23.62	70.87	23.62
HMEP188	mm	1696	699	1800	800
	inch	66.77	27.52	70.87	31.5
HMEP206	mm	1896	499	2000	600
	inch	74.65	23.62	78.74	23.62
HMEP208	mm	1896	699	2000	800
	inch	74.65	27.52	78.74	31.5
HMEP226	mm	2096	499	2200	600
	inch	82.52	23.62	86.62	23.62
HMEP228	mm	2096	699	2200	800
	inch	82.52	27.52	86.62	31.5



Shown with optional door support rails

Shelf

- Mounts to internal door channel using 1 or 2 door support rails (sold separately) or directly to a door/side panel using supplied hardware.
- Can be easily positioned at various heights.
- Opens to 90° or 75° angle and quickly folds down for compact storage.
- Finished in RAL 7035 light gray.

Part Number	Width	Depth
DMS1615	16	15

Bridge Panel

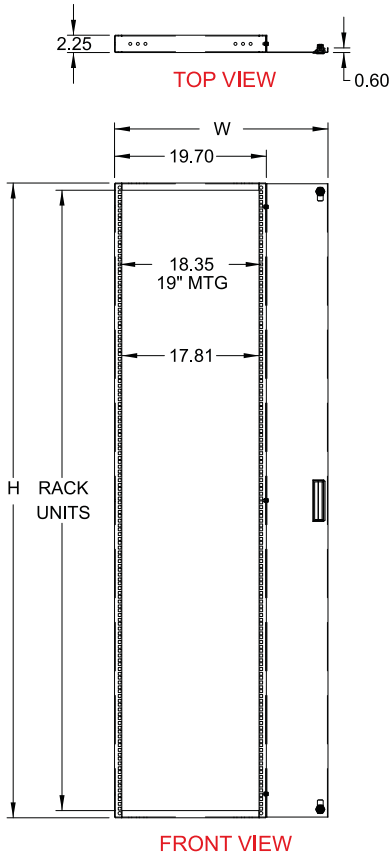
- Mounts between inner panels of joined enclosures.
- Formed 12 gauge galvanized steel unpainted.
- 3.75" wide.



Part Number	For Use with Cabinet Height
HMEPB14	1400
HMEPB16	1600
HMEPB18	1800
HMEPB20	2000
HMEPB22	2200

Modular Freestanding Enclosures - NEMA 12

HME Accessories

Modular Freestanding
HME Accessories


Swing Frame for 19" Mounting

- Frame provides 19" rack mounting centers
- Rails punched for square holed cage nuts
- Finished in RAL7035
- Requires Swing Kit sold separately

Part No.	Overall		Rack Units	For use with Cabinet	
	Height	Width		Height	Width
HMESWF166	mm	1494	32	1600	600
	inch	58.80			
HMESWF168	mm	1494	32	1600	800
	inch	58.80			
HMESWF186	mm	1694	37	1800	600
	inch	66.68			
HMESWF188	mm	1694	37	1800	800
	inch	66.68			
HMESWF206	mm	1894	41	2000	600
	inch	74.55			
HMESWF208	mm	1894	41	2000	800
	inch	74.55			
HMESWF226	mm	2094	45	2200	600
	inch	82.43			
HMESWF228	mm	2094	45	2200	800
	inch	82.43			



Swing Kits

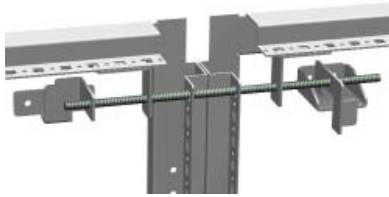
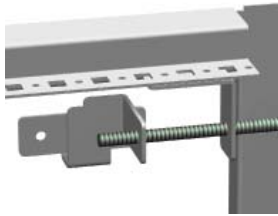
- Used in conjunction with HMEP Swing Panels or HMESWF Swing Frames
- Provides adjustable location for panels and frame front to rear
- Comes complete with all mounting hardware
- Allows for maximum swing of 120° when positioned fully at front of cabinet.
- Finished in RAL7035



Part Number	Description
HMESWK4	Fits 400mm depth frame
HMESWK5	Fits 500mm depth frame
HMESWK6	Fits 600mm depth frame
HMESWK8	Fits 800mm depth frame

Modular Freestanding Enclosures - NEMA 12

HME Accessories


**Master Interlock
(Rod included)**

**Slave Interlock
(Rod sold separately)**

Interlock Kit for HME, HFMD, HMET & HFMTD

- Master Interlock Kit- required for master door in system
- Slave Interlock Kit- required for each slave door to be interlocked with master door
- Rod connector kit- required for connecting to slave kit
- Clear zinc plated
- All kits maintain UL/CSA Type 12 approvals

Part Number	Description
HMIK	Master Interlock Kit
HSIK	Slave Interlock Kit
HSCRD	Rod Connector kit 600-1200 wide

Ordering Guide Common assemblies	Required
Single Door (Master Right or left) to Single door Cabinet	Master Interlock Kit
Single Door (Master right) to Double door Cabinet	Master Interlock Kit
Single Door (Master left) to Double door cabinet	Master Interlock Kit + Rod Connector Kit
Double Door (Master Right or Left) to Double door Cabinet	Master Interlock Kit + Rod Connector Kit
Any Additional cabinets to any of the above configurations	Slave + Rod Connector kit


L Rail

Combination Rail

19" Rails and Width Adapter Kits

- Provides 19" rack mounting centers in 600mm wide cabinets.
- Provides 19" rack mounting centers in 800mm wide cabinets when combined with Width Adapter Kits (Part # **HAK19800**).
- Can mount directly to frame in full front and full back positions or can have full front to back depth adjustment when used with Depth Grid Straps (sold separately).
- Rails are 12 gauge, include mounting hardware and are clear zinc plated (ZPL) finish.
- Square holed rails with full EIA centers.
- Sold in pairs.


HAK19800

Part Number	Style	Mounting Space		Use with H (mm)
		U	Inches	
HPR16SZPL	Panel (L shape)	33	57.75	1600
HPR18SZPL	Panel (L shape)	38	66.50	1800
HPR20SZPL	Panel (L shape)	42	73.50	2000
HPR22SZPL	Panel (L shape)	47	82.25	2200
HCR16SZPL	Combination	33	57.75	1600
HCR18SZPL	Combination	38	66.50	1800
HCR20SZPL	Combination	42	73.50	2000
HCR22SZPL	Combination	47	82.25	2200

Part Number	Description
HAK19800	Adapts 800mm wide cabinets to 19" rack mounting (includes 4 brackets)

Modular Freestanding Enclosures - NEMA 12

HME Accessories

Modular Freestanding



**RCNIT - Cage nut
insertion tool**

Grid Mounting Hardware

- A variety of hardware options are available for the Grid System.
- Square holes accommodate cage nuts listed.
- Round holes accommodate M5 and #12 thread forming screws listed.

Square Hole Hardware

Part Number	Description
RCNIT	Cage nut insertion tool
1421CNA25	25 of 10-32 cage nut
1421CNA100	100 of 10-32 cage nut
1421D	25 of Panhead #10-32 Slot/Phillips x 0.5"
1421CND25	25 of ¼-20 cage nut
1421CND100	100 of ¼-20 cage nut
1421SP142025	25 of Panhead ¼-20 Slot/Phillips x 0.5"
1421CNB25	25 of M6 cage nut
1421CNB100	100 of M6 cage nut
1421CNBF100	100 of M6 front load cage nut
1421HPM625	25 of Hex/Phillips M6 screws x 12mm

Round Hole Hardware

Part Number	Description
1421HPTM525	25 of Hex/Phillips Threadrolling M5 screws x 12mm
1421CT25	25 of Pan/Phillips Threadrolling #12-24 screws x 0.5"

HME Accessories



Ground Wire Kits

- Stranded #10 gauge copper wire with ring terminal .256 dia hole
- Includes mounting nuts both 1/4-20 and 10-32 ground studs
- Ground symbols (2 for each jumper)

Part Number	Description
GRDKIT01	Quantity 2
GRDKIT02	Quantity 6

Ground Bar Kits

- Solid copper 1" x .125" with 10-32 drilled and tapped holes and 1- .312 main ground point
- Mounts directly to grid straps or frame mounting surface



Part Number	Description
GRDBAR600	400mm length for 600 mm wide enclosures
GRDBAR800	600mm length for 800 mm wide enclosures

Modular Freestanding Enclosures - NEMA 12

HME Accessories



Inserts

- Standard door hardware is an escutcheon plate with double bit insert.
- A variety of other inserts (and matching keys) available as alternatives.

Part Number	Type	Description
HMESQI7	Insert	For escutcheon - 7mm square
HMESQI8	Insert	For escutcheon - 8mm square
HMETRI6	Insert	For escutcheon - 6.5mm triangle
HMETRI7	Insert	For escutcheon - 7mm triangle
HMETRI8	Insert	For escutcheon - 8mm triangle
HMEDBPI	Insert	For escutcheon - double bit w/3mm pin
HMESLCPI	Insert	For escutcheon - slot - coin proof
HMENLINS	Insert	For HMEHLKL non-locking insert
2SQK7	Key	For escutcheon - 7mm square
HMESQK8	Key	For escutcheon - 8mm square
HMETRK6	Key	For escutcheon - 6.5mm triangle
2TRK7	Key	For escutcheon - 7mm triangle
HMETRK8	Key	For escutcheon - 8mm triangle
HMEDBPK	Key	For escutcheon - double bit w/3mm pin
PMKEY	Key	For escutcheon - standard double bit



Handles

- Standard escutcheon plate and insert can be replaced with several handle options.
- Die cast Swing Handles (black) open door with a rotating motion, are key-locking and available with padlocking feature.
- Heavy duty die cast Lift Handles (light gray) open door with an ergonomic lift up motion and are offered in key-locking and non-locking versions.

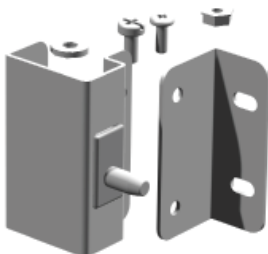
Part Number	Description
HMEHSKL	Diecast swing handle with key locking (black)
HMEHSKLPL	Diecast swing handle with key locking and padlockable (black)
HMEHLKL	Diecast lift handle with key locking (RAL7035 Gray)
HMEHLNL	Diecast lift handle non-locking (RAL7035 Gray)



Light Kit Brackets

- Designed for mounting to HME frame assembly
- Brackets accept either Fluorescent or LED light kits
- Clear coat plated finish

Part Number	Description
FLMTGBRK	Light kit mounting bracket 1.5" x 9" qty 2



Door switch

- Designed for mounting to HME frame assembly
- NO/NC switch rated 10A 115/230 volt





















Part Number	Description
FDS1	Door Switch HME

Operator Interface Enclosure



Operator Interface Enclosures

Operator Interface Enclosure

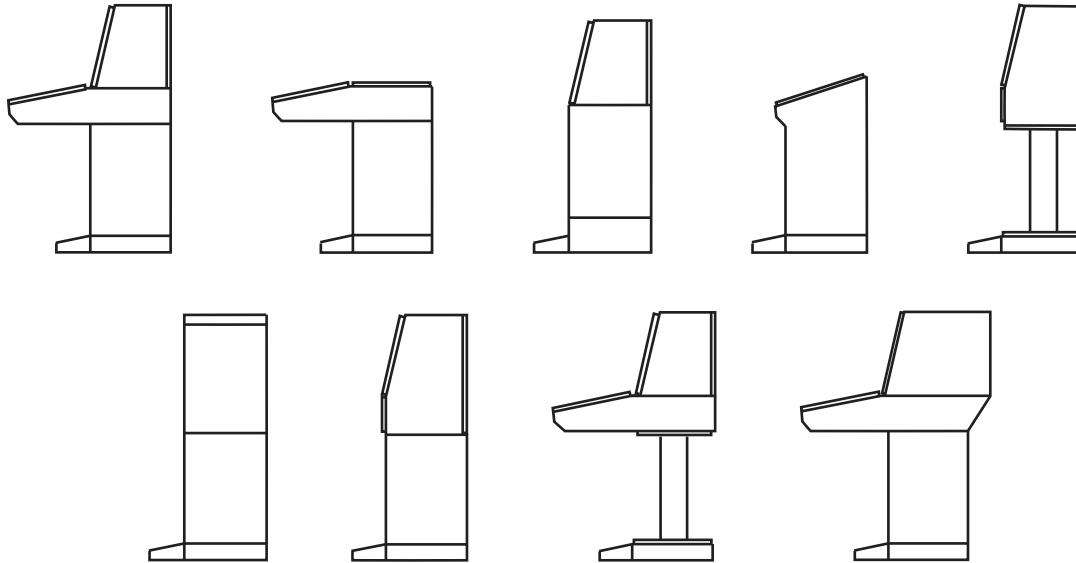
	Series 2000 Modular Console System Base Units - NEMA 12, 4, 4X.....	209		Pushbutton Enclosures - 1435 & 1435M Series NEMA 12, 13.....	253
	Series 2000 Modular Console System Desk Units - NEMA 12, 4, 4X.....	211		Pushbutton Enclosures - 1435 & 1435M Stainless Steel Series NEMA 12, 13.....	255
	Series 2000 Modular Console System Turret Units - NEMA 12, 4, 4X.....	213		Pushbutton Enclosures - 1437 & 1437M Extra Deep Series NEMA 12, 13.....	257
	Series 2000 Modular Console System Consolet - NEMA 12, 4, 4X.....	215		Pushbutton Enclosures - 1437 Extra Deep Stainless Steel Series NEMA 12, 13.....	259
	Series 2000 Modular Console System - Terminal NEMA 12, 4, 4X.....	217		Pushbutton Enclosures - 1489 & 1489M Continuous Hinge Series NEMA 12.....	261
	Series 2000 Modular Console System - Master Selection Table	219		Pushbutton Enclosures - 1490 & 1490M Sloped Front Consolet Series NEMA 12, 13.....	263
	Series 2000 Modular Console System - Components & Accessories	221		Polycarbonate Modular Enclosures 1554 Pushbutton Lift-Off Cover Series NEMA 4, 4X.....	265
	1488 Series Consolets - Hinged Cover Consolets NEMA 12, 13.....	233		Polyester Modular Enclosures PJ Solid Cover & Pushbutton Lift-Off Series NEMA 4, 4X.....	267
	1471 Series Sloped Console Cabinet - NEMA 12.....	235		Polyester Modular Enclosures PJ Pushbutton Lift-Off & Hinged Screw Cover Series NEMA 4X.....	269
	Eclipse Command System - NEMA 12.....	237			
	Tara Plus Suspension System NEMA 12, 13.....	239-244			
	Heavy Duty 50mm & 80mm Suspension System NEMA 12, 13.....	245-250			
	Pushbutton Enclosures - MPB Series 22mm Pushbutton NEMA 12, 13.....	251			

Operator Interface Enclosure

Series 2000 Modular Console System - NEMA 12, 4, 4X Configurations

Series 2000 Modular Console System

The Series 2000 Modular Console System offers designers numerous assembly and configuration choices. This system allows units to be “stacked” in multiple combinations to provide equipment support and display functions exactly where you want them.



How to Configure Your System

To configure your system you'll need to go through the following steps:

STEP 1 - Protection requirements

Type 4 RAL 7035 light gray = "2CL..." part numbers

Type 4X stainless steel = "2CS..." part numbers

STEP 2 - Width requirements (24, 36, 48, 60 inch)

STEP 3 - Basic component requirements:

Bottom - (a) base, (b) dual access base, or (c) pedestal

Top - (a) standard desk and desk cover, (b) deep desk and desk cover, (c) standard turret, (d) deep turret, (e) standard desk/turret combination, (f) deep desk/turret combination, (g) another base and base cover, or (h) data terminal

Stand Alone - Consolelet

STEP 4 - External Accessories (if applicable): plinth, footrest, window doors or depth extension

STEP 5 - Internal Accessories (if applicable): electrical mounting panels, electronic mounting rails, swing frames, etc.

Series 2000 Modular Console System - NEMA 12, 4, 4X Base Units

Operator Interface Enclosure



Single Access



Dual Access



Application

- Flexible design provides panel mount or rack mount capabilities for a variety of applications.
- Generally used in combination with other modular console components (ie. another base, terminal, desk and/or turret).
- Available in either single or dual access format.
- Smooth lines and clean edges provide an attractive, contemporary appearance.

Standards

RAL 7035 Light Gray

- UL 508 Type 3R, 4, 12
- CSA Type 3R, 4, 12, 13
- EIA RS-310-D
- **Complies with**
 - NEMA Type 3R, 4, 12
 - IEC 60529, IP66

Stainless Steel (Type 304)

- UL 508 Type 3R, 4, 4X, 12
- CSA Type 3R, 4, 4X, 12
- EIA RS-310-D
- **Complies with**
 - NEMA Type 3R, 4, 4X, 12
 - IEC 60529, IP66

Construction

- Formed 14 gauge steel bodies with 14 gauge steel door.
- Also offered with formed 14 gauge 304 stainless steel bodies with 14 gauge 304 stainless steel door.
- Smooth, continuously welded seams.

- Body stiffeners are provided where required for increased strength and rigidity.
- Offered in 4 widths 24", 36", 48" and 60".
- Single access version has solid sides and back, solid door on front, open top, and closed bottom with removable access panel.
- Dual access version is same as above except has solid door on both front and back.
- 24" and 36" widths have single door on the front (and back for dual access) whereas 48" and 60" widths have two outside hinged doors on the front (and back for dual access.)
- Doors can be hinged from either side on 24" and 36" units.
- Door profiles provide increased strength and are pre-punched to provide mounting options.
- Formed lip on enclosure excludes flowing liquids and contaminants.
- Slotted quarter turn oil-tight latches secure the door, with optional tamper resistant and locking latches available.
- Stainless steel models utilize stainless steel hardware.
- Oil resistant gaskets are permanently secured.
- Features several internal stud locations for mounting of various accessories.
- A bonding screw is provided on the door and a grounding stud is provided in the enclosure.

Finish

- Available in RAL 7035 light gray textured powder coating and natural stainless steel with a smooth, brushed finish.
- Base Covers are available in the same finishes.

Accessories

- Air conditioners...see page [349-367](#)
- Blowers...see page [389](#)
- Filter fans...see page [371-384](#)
- Fan trays...see page [391](#)
- Heaters...see page [393-396](#)
- Series 2000 Modular Console Accessories...see page [221-228](#)
- Rack Mount Accessories ...see page [229-232](#)

Technical references and CAD downloads available at www.hammondmfg.com

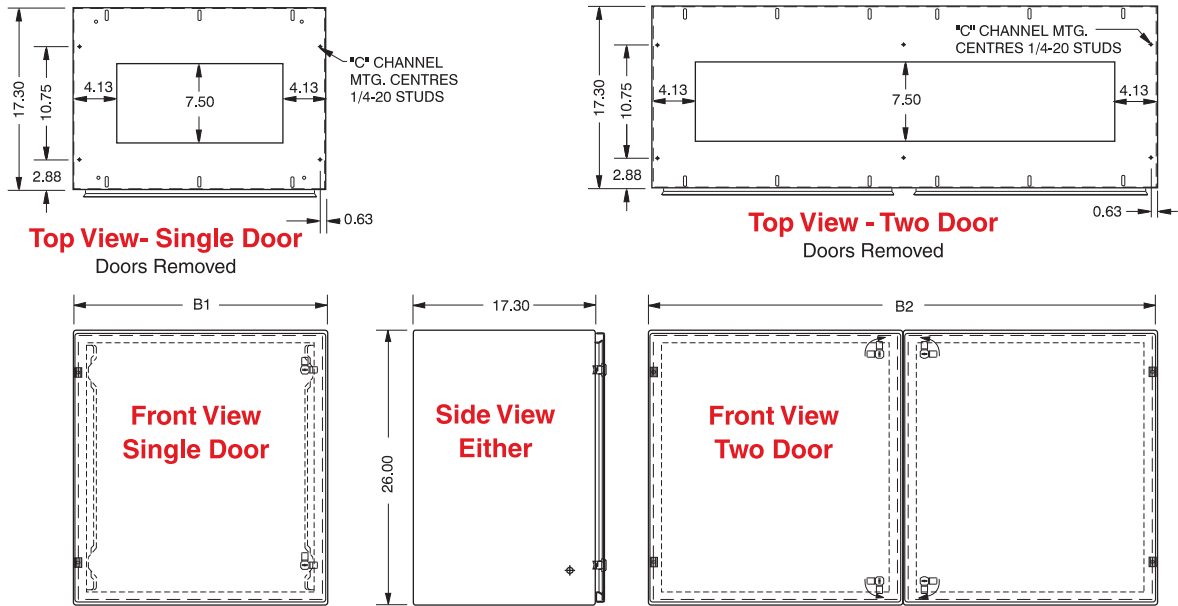
All dimensions in inches unless specified otherwise

Modular Console System

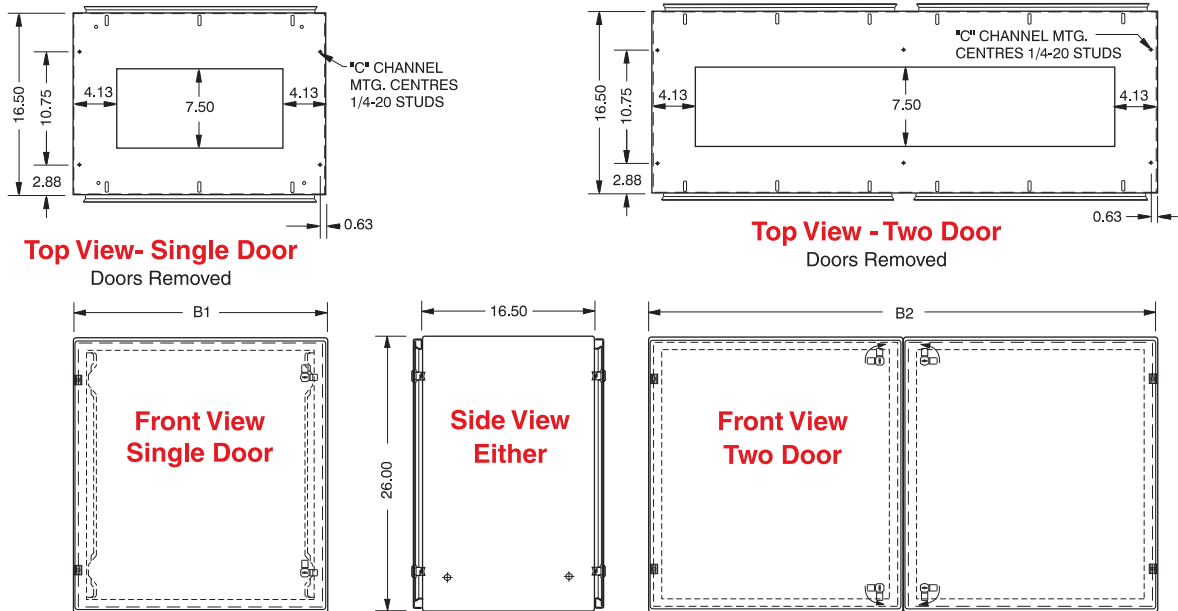
Series 2000 Modular Console System - NEMA 12, 4, 4X Base Units

Operator Interface Enclosure

Single Access



Dual Access


Modular Console System

Single Access

RAL 7035 Light Gray Part No.	Stainless Steel Part No.	B1	B2
2CLB262418	2CSB262418	24	n/a
2CLB263618	2CSB263618	36	n/a
2CLB264818	2CSB264818	n/a	48
2CLB266018	2CSB266018	n/a	60

Dual Access

RAL 7035 Light Gray Part No.	Stainless Steel Part No.	B1	B2
2CLBX262418	2CSBX262418	24	n/a
2CLBX263618	2CSBX263618	36	n/a
2CLBX264818	2CSBX264818	n/a	48
2CLBX266018	2CSBX266018	n/a	60

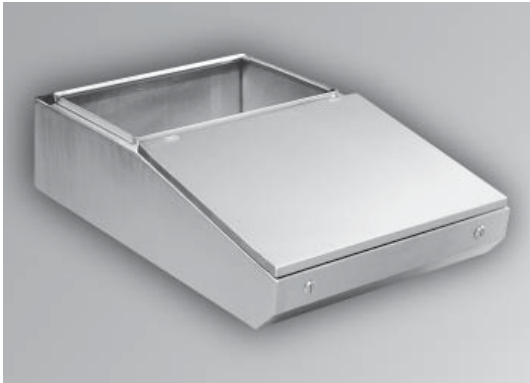
 Technical references and CAD downloads available at www.hammondmfg.com

All dimensions in inches unless specified otherwise

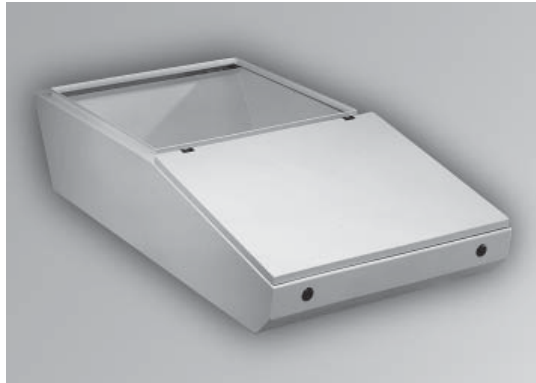
Quality Products. Service Excellence.

Series 2000 Modular Console System - NEMA 12, 4, 4X Desk Units

Operator Interface Enclosure



Standard Desk



Deep Desk



Application

- Generally used in combination with other modular console components (ie. base, pedestal, and/or turret).
- Provides an ideal sloped surface for mounting keyboards, switches, indicator lights, and/or dials.
- Open top permits mounting of a turret (usually for CRT applications) or an optional hinged desk cover (providing a flat, sturdy desk surface).
- Available in either Standard (will support Standard Turret only) or Deep (will support Deep Turret only) format.
- Smooth lines and clean edges provide an attractive, contemporary appearance.

Standards

RAL 7035 Light Gray

- UL 508 Type 3R, 4, 12
- CSA Type 3R, 4, 12, 13
- EIA RS-310-D
- Complies with
 - NEMA Type 3R, 4, 12
 - IEC 60529, IP66

Stainless Steel (Type 304)

- UL 508 Type 3R, 4, 4X, 12
- CSA Type 3R, 4, 4X, 12
- **Complies with**
 - NEMA Type 3R, 4, 4X, 12
 - IEC 60529, IP66

Construction

- Formed 14 gauge steel bodies with 14 gauge steel lid.
- Also offered with formed 14 gauge 304 stainless steel bodies with 14 gauge 304 stainless steel lid.
- Smooth, continuously welded seams without knockouts or holes.
- Body stiffeners are provided where required for increased strength and rigidity.
- Offered in 4 widths 24", 36", 48" and 60".
- Solid sides and back, lid on sloped top area, open on flat top area, bottom is solid under lid area and open under flat top area.
- Deep Desk has a 6.7" deeper top opening than standard desk allowing for support of Deep Turret - see drawings as Deep Desk has different profile (angled back) from Standard Desk (flat back.)
- Lid profiles provide increased strength.
- Formed lip on enclosure excludes flowing liquids and contaminants.
- Slotted quarter turn oil-tight latches secure the lid, with optional tamper resistant and locking latches available.
- Stainless steel models utilize stainless steel hardware.
- Oil resistant gaskets are permanently secured.
- Features several internal stud locations for mounting Desk Inner Panel.
- A bonding screw is provided on the lid and a grounding stud is provided in the enclosure.

Finish

- Available in RAL 7035 light gray textured powder coating and natural stainless steel with a smooth, brushed finish.
- Desk covers available in same finishes.

Accessories

- Desk cover...see page **223**
- Desk inner panel...see page **225**

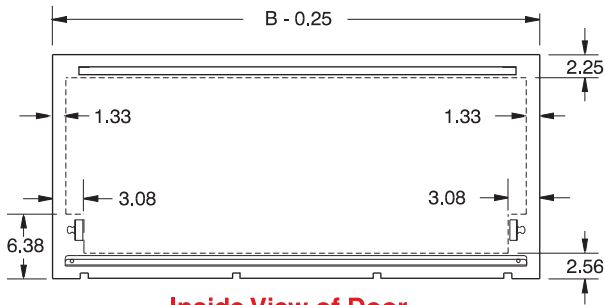
Modular Console System

Series 2000 Modular Console System - NEMA 12, 4, 4X Desk Units

Operator Interface Enclosure

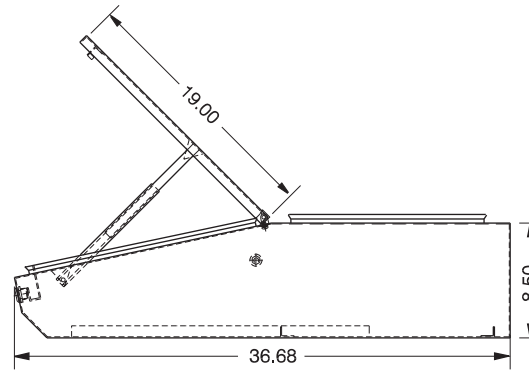
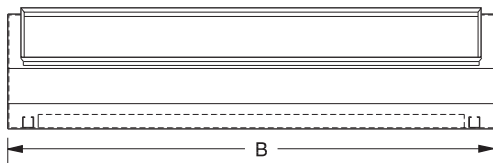
Modular Console System

Standard Desk Unit

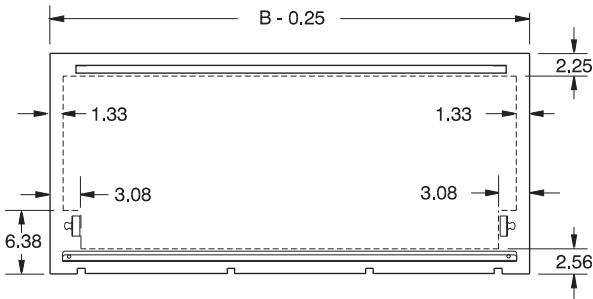


Inside View of Door

Clearance area for mounting hardware on desk unit sloping door

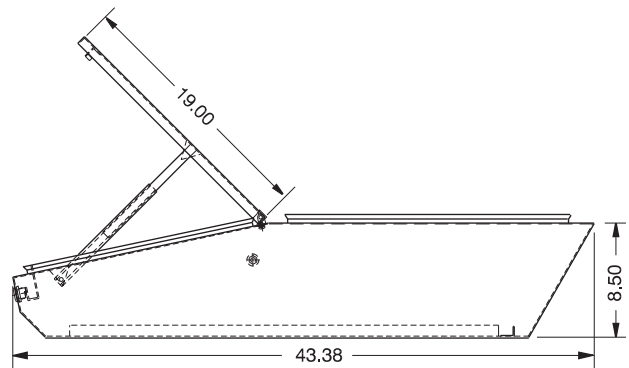


Deep Desk Unit



Inside View of Door

Clearance area for mounting hardware on desk unit sloping door



Standard Desk Unit

RAL 7035 Light Gray Part No.	Stainless Steel Part No.	B
2CLD82436	2CSD82436	24
2CLD83636	2CSD83636	36
2CLD84836	2CSD84836	48
2CLD86036	2CSD86036	60

Deep Desk Unit

RAL 7035 Light Gray Part No.	Stainless Steel Part No.	B
2CLD82443	2CSD82443	24
2CLD83643	2CSD83643	36
2CLD84843	2CSD84843	48
2CLD86043	2CSD86043	60

Technical references and CAD downloads available at www.hammondmfg.com

All dimensions in inches unless specified otherwise

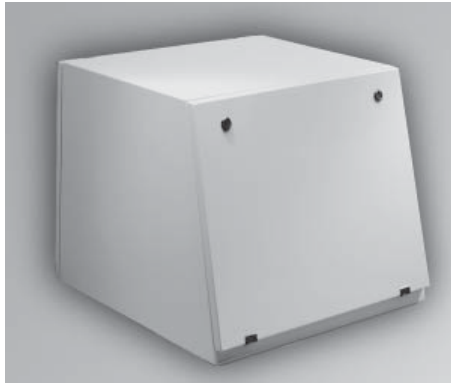
Quality Products. Service Excellence.

Series 2000 Modular Console System - NEMA 12, 4, 4X Turret Units

Operator Interface Enclosure



Standard Turret



Deep Turret



Application

- Ideal as a housing for video screens.
- Flexible design provides panel mount or rack mount capabilities for a variety of applications.
- Generally used in combination with other modular console components (ie. base, pedestal, and/or desk).
- Available in either Standard (supported by Base, Pedestal, or Standard Desk) or Deep (supported by Deep Desk only) format.
- Smooth lines and clean edges provide an attractive, contemporary appearance.

Standards

RAL 7035 Light Gray

- UL 508 Type 3R, 4, 12
- CSA Type 3R, 4, 12, 13
- EIA RS-310-D
- Complies with
 - NEMA Type 3R, 4, 12
 - IEC 60529, IP66

Stainless Steel (Type 304)

- UL 508 Type 3R, 4, 4X and 12
- CSA Type 3R, 4, 4X and 12
- EIA RS-310-D
- Complies with
 - NEMA Type 3R, 4, 4X, 12
 - IEC 60529, IP66

Construction

- Formed 14 gauge steel bodies with 14 gauge steel doors.
- Also offered with formed 14 gauge 304 stainless steel bodies with 14 gauge 304 stainless steel doors.
- Smooth, continuously welded seams without knockouts or holes.
- Body stiffeners are provided where required for increased strength and rigidity.
- Offered in 4 widths 24", 36", 48" and 60".
- Features solid sides and top, solid door on front (opens down) and back (opens up), and open bottom.
- Front door features sliding rod mechanism, which allows a 102° opening when in the lowered position.
- Rear door features manual, 3 position adjustable door stop which provides convenient support while door in open position.
- Formed lip on enclosure excludes flowing liquids and contaminants.
- Slotted quarter turn oil-tight latches secure the door, with optional tamper resistant and locking latches available.
- Stainless steel models utilize stainless steel hardware.
- Oil resistant gaskets are permanently secured and mechanically retained.
- Features several internal stud locations for mounting of various accessories.
- A bonding screw is provided on the door and a grounding stud is provided in the enclosure.

Finish

- Available in RAL 7035 light gray textured powder coating and natural stainless steel with a smooth, brushed finish.
- 24" Front Window Door available in same finishes.

Accessories

- Air conditioners...see page [349-367](#)
- Blowers...see page [389](#)
- Filter fans...see page [371-384](#)
- Fan trays...see page [391](#)
- Heaters...see page [393-396](#)
- Series 2000 Modular Console Accessories...see page [221-228](#)
- Rack Mount Accessories
...see page [229-232](#)

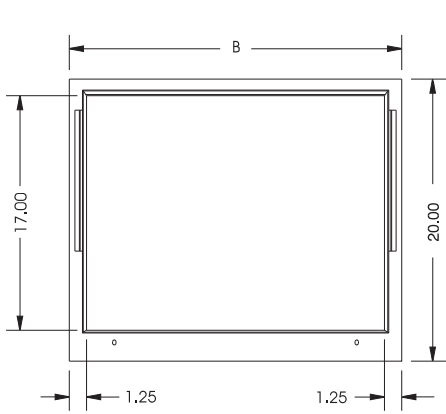
Modular Console System

Series 2000 Modular Console System - NEMA 12, 4, 4X Turret Units

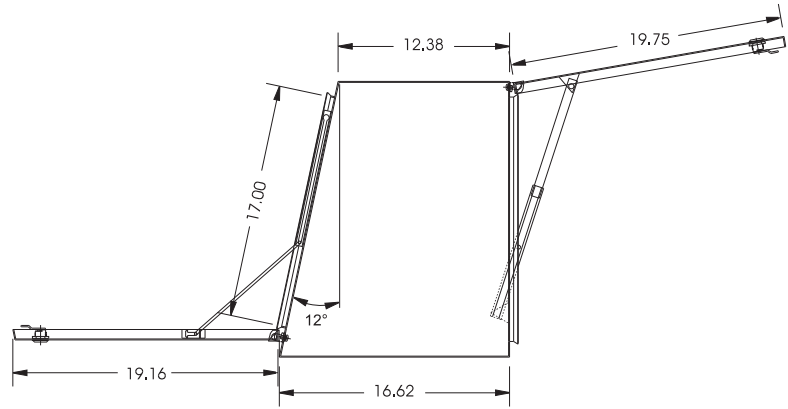
Operator Interface Enclosure

Modular Console System

Standard Turret

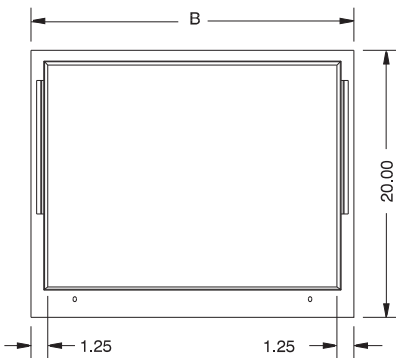


Front View

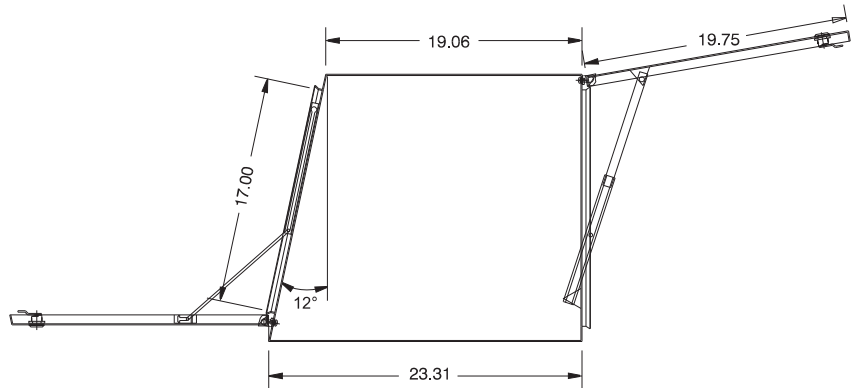


Side View

Deep Turret



Front View



Side View

Standard Turret

RAL 7035 Light Gray Part No.	Stainless Steel Part No.	B
2CLT202436	2CST202436	24
2CLT203636	2CST203636	36
2CLT204836	2CST204836	48
2CLT206036	2CST206036	60

Deep Turret

RAL 7035 Light Gray Part No.	Stainless Steel Part No.	B
2CLT202443	2CST202443	24
2CLT203643	2CST203643	36
2CLT204843	2CST204843	48
2CLT206043	2CST206043	60

Technical references and CAD downloads available at www.hammondmfg.com

All dimensions in inches unless specified otherwise

Quality Products. Service Excellence.

Series 2000 Modular Console System - NEMA 12, 4, 4X Console

Operator Interface Enclosure



Note: Plinth and footrest shown in photo are optional.

Application

- Serves as an economical housing for operator interface applications.
- Provides an ideal sloped surface for mounting keyboards, switches, indicator lights, and/or dials.
- Provides panel mounting capabilities for a variety of applications.
- Generally used as a stand alone enclosure. Possible to put side by side with base on a single plinth (ie. 36" wide console with 24" base with terminal all together on a 60" plinth).
- Optional casters (require plinth) allow for a completely mobile, NEMA rated work station.
- Smooth lines and clean edges provide an attractive, contemporary appearance.

Standards

RAL 7035 Light Gray

- UL 508 Type 3R, 4, 12
- CSA Type 3R, 4, 12, 13
- EIA RS-310-D
- **Complies with**
 - NEMA Type 3R, 4, 12
 - IEC 60529, IP66

Stainless Steel (Type 304)

- UL 508 Type 3R, 4, 4X, 12
- CSA Type 3R, 4, 4X, 12
- **Complies with**
 - NEMA Type 3R, 4, 4X, 12
 - IEC 60529, IP66

Construction

- Formed 14 gauge steel bodies with 14 gauge steel door and lid.
- Also offered with formed 14 gauge 304 stainless steel bodies with 14 gauge 304 stainless steel door and lid.
- Smooth, continuously welded seams without knockouts or holes.
- Body stiffeners are provided where required for increased strength and rigidity.
- Offered in 4 widths 24", 36", 48" and 60".
- Has solid sides and back, solid door on front, 3 point adjustable lid on sloped (20°) top, and closed bottom with removable access panel.
- 24" and 36" widths have single door on the front whereas 48" and 60" widths have two outside hinged doors on the front.
- Doors can be hinged from either side on 24" and 36" units.
- Door profiles provide increased strength and are pre-punched to provide mounting options.
- Formed lip on enclosure excludes flowing liquids and contaminants.

- Slotted quarter turn oil-tight latches secure the door and lid, with optional tamper resistant and locking latches available.
- Stainless steel models utilize stainless steel hardware.
- Oil resistant gaskets are permanently secured and mechanically retained.
- Features internal stud locations for mounting optional inner panel.
- A bonding screw is provided on the door and a grounding stud is provided in the enclosure.

Finish

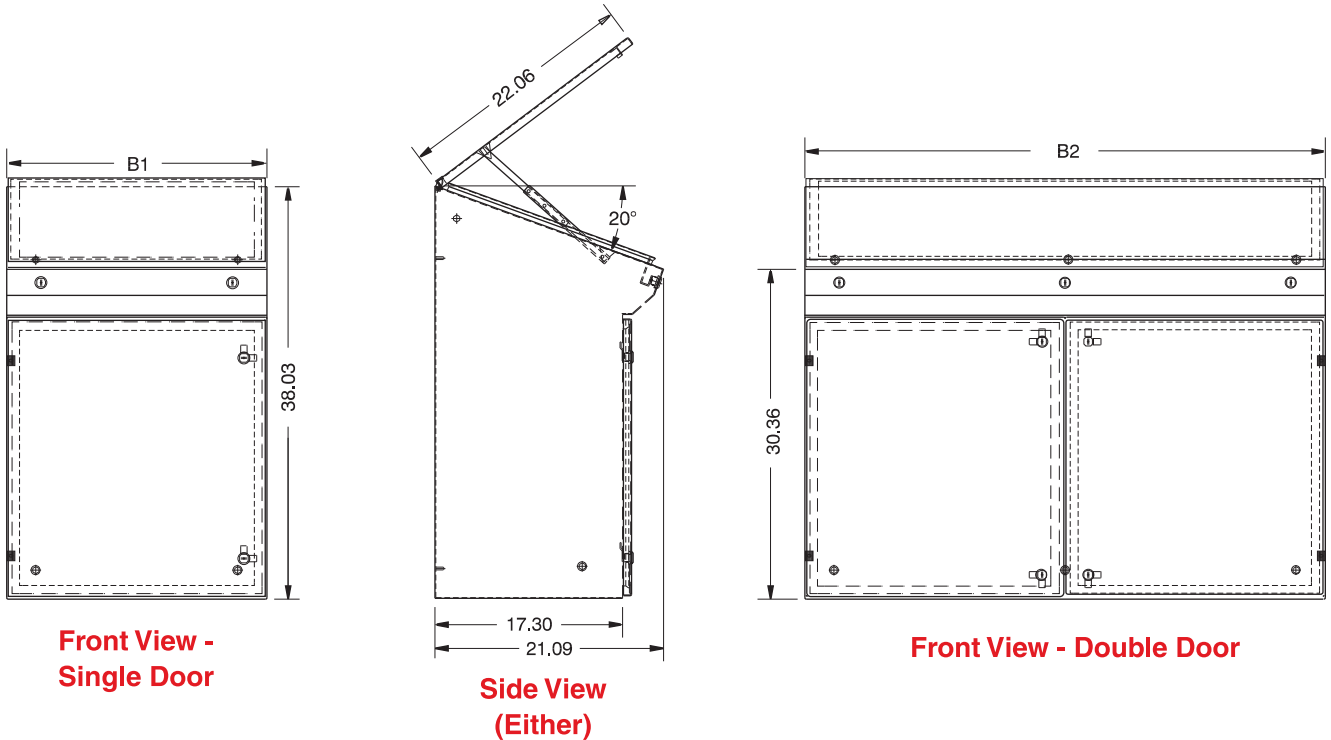
- Available in RAL 7035 light gray textured powder coating and natural stainless steel with a smooth, brushed finish.

Accessories

- Air conditioners...see page [349-367](#)
- Blowers...see page [389](#)
- Filter fans...see page [371-384](#)
- Fan trays...see page [391](#)
- Heaters...see page [393-396](#)
- Series 2000 Modular Console Accessories...see page [221-228](#)

Modular Console System

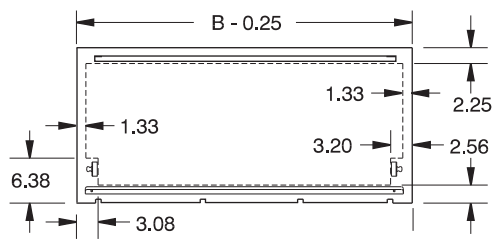
Series 2000 Modular Console System - NEMA 12, 4, 4X Consolelet

Operator Interface Enclosure
Modular Console System


**Front View -
Single Door**

**Side View
(Either)**

Front View - Double Door



**Enlarged Inside View of
Door on Sloped Surface
(Either)**

RAL 7035 Light Gray Part No.	Stainless Steel Part No.	B1	B2
2CLC2024	2CSC2024	24	n/a
2CLC2036	2CSC2036	36	n/a
2CLC2048	2CSC2048	n/a	48
2CLC2060	2CSC2060	n/a	60

Series 2000 Modular Console System - NEMA 12, 4, 4X Terminal

Operator Interface Enclosure



Note: Pedestal, plinth and casters shown in photo are optional.



Note: Base and plinth shown in photo are optional.



Application

- Ideal as a housing for a complete personal computer system including video screen, keyboard and PLC.
- Flexible design provides panel mount or rack mount capabilities for a variety of applications.
- Generally used in combination with other modular console components (ie. base or pedestal). Mounting on base provides extra room for PLC's and/or printer-paper stands.
- Optional casters (require plinth) allow for a completely mobile, NEMA rated work station.
- Smooth lines and clean edges provide an attractive, contemporary appearance.

Standards

RAL 7035 Light Gray

- UL 508 Type 3R, 4, 12
- CSA Type 3R, 4, 12, 13
- EIA RS-310-D
- **Complies with**
 - NEMA Type 3R, 4, 12
 - IEC 60529, IP66

Stainless Steel (Type 304)

- UL 508 Type 3R, 4, 4X, 12
- CSA Type 3R, 4, 4X, 12
- EIA RS-310-D
- **Complies with**
 - NEMA Type 3R, 4, 4X, 12
 - IEC 60529, IP66

Construction

- Formed 14 gauge steel bodies with 14 gauge steel doors.
- Also offered with formed 14 gauge 304 stainless steel bodies with 14 gauge 304 stainless steel doors.
- Smooth, continuously welded seams.
- Body stiffeners are provided where required for increased strength and rigidity.
- Offered in 24" width only.
- Features solid sides and top, 2 solid doors on front (both open downlower, smaller door for keyboard shelf) and back (opens up), and open bottom.
- Lower drop down door provides access to optional slide-out keyboard drawer.
- Front doors feature sliding rod mechanism which allows a 102° opening when in the lowered position.
- Rear door features manual, 3 position adjustable door stop which provides convenient support while door in open position.
- Formed lip on enclosure excludes flowing liquids and contaminants.
- Slotted quarter turn oil-tight latches secure the door, with optional tamper resistant and locking latches available.
- Stainless steel models utilize stainless steel hardware.
- Oil resistant gaskets are permanently secured and mechanically retained.

- Features several internal stud locations for mounting of various accessories.
- A bonding screw is provided on the door and a grounding stud is provided in the enclosure.

Finish

- Available in RAL 7035 light gray textured powder coating and natural stainless steel with a smooth, brushed finish.
- 24" Front Window Door available in same finishes.

Accessories

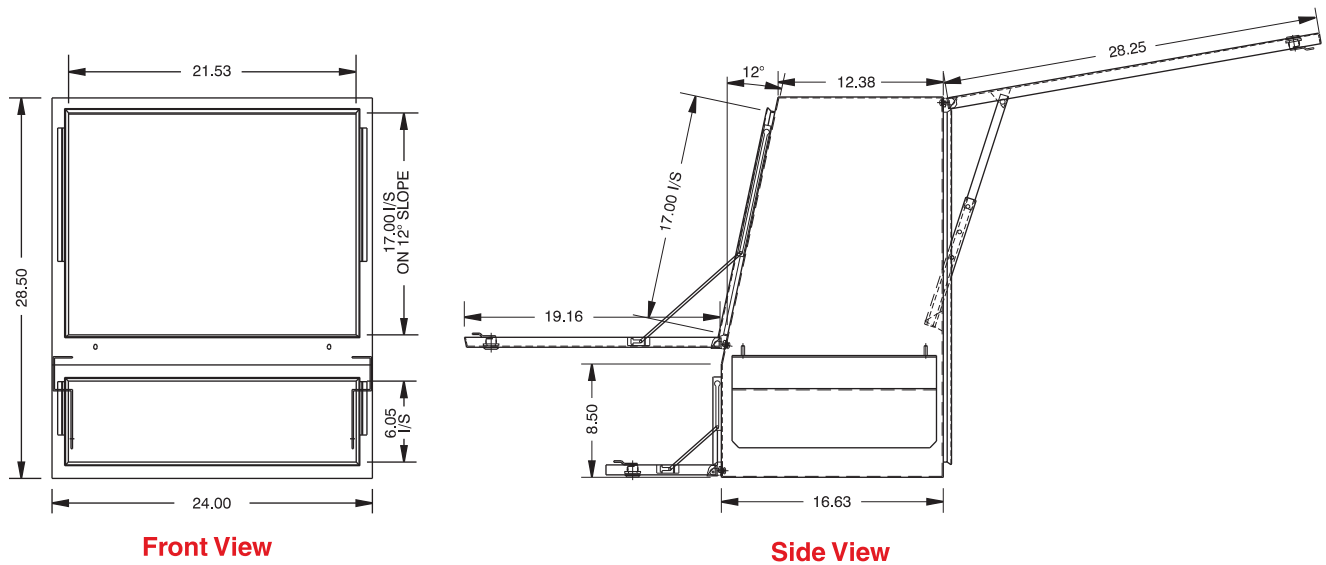
- Air conditioners...see page [349-367](#)
- Blowers...see page [389](#)
- Filter fans...see page [371-384](#)
- Fan trays...see page [391](#)
- Heaters...see page [393-396](#)
- Series 2000 Modular Console Accessories...see page [221-228](#)
- Rack Mount Accessories ...see page [229-232](#)

Modular Console System

Series 2000 Modular Console System - NEMA 12, 4, 4X Terminal

Operator Interface Enclosure

Modular Console System



Note: For added depth, see Data Terminal Extension Ring...see page [222](#)

Part No.	Finish
2CLD24R	Type 4 RAL 7035 Light Gray
2CSD24R	Type 4, 4X Stainless Steel

Terminal Keyboard shelf is optional...see page [225](#)

Series 2000 Modular Console System - NEMA 12, 4, 4X

Master Selection Tables

Operator Interface Enclosure



Master Selection Table - Modular Console System Components

System Width	Single Access Base	Dual Access Base	Standard Desk	Deep Desk
Type 4 RAL 7035 Light Gray				
24"	2CLB262418	2CLBX262418	2CLD82436	2CLD82443
36"	2CLB263618	2CLBX263618	2CLD83636	2CLD83643
48"	2CLB264818	2CLBX264818	2CLD84836	2CLD84843
60"	2CLB266018	2CLBX266018	2CLD86036	2CLD86043
Type 4, 4X Stainless Steel				
24"	2CSB262418	2CSBX262418	2CSD82436	2CSD82443
36"	2CSB263618	2CSBX263618	2CSD83636	2CSD83643
48"	2CSB264818	2CSBX264818	2CSD84836	2CSD84843
60"	2CSB266018	2CSBX266018	2CSD86036	2CSD86043

Modular Console System



Master Selection Table - Data Terminal

System Width	Plinth 4"	Plinth 8"	Footrest	Pedestal	24" Window Door	Terminal Keyboard Shelf
Type 4 RAL 7035 Light Gray						
24"	2CLP42418	2CLP82418	2CLF24	2CLS	2CLTW24	2CWDSR
Type 4, 4X Stainless Steel						
24"	2CSP42418	2CSP82418	2CSF24	2CSS	2CSTW24	2CWDSR

Master Selection Table - Consolet

System Width	Consolet	Plinth 4"	Plinth 8"	Footrest	Consolet Panel
Type 4 RAL 7035 Light Gray					
24"	2CLC2024	2CLP42418	2CLP82418	2CLF24	2CWCP24
36"	2CLC2036	2CLP43618	2CLP83618	2CLF36	2CWCP36
48"	2CLC2048	2CLP44818	2CLP84818	2CLF48	2CWCP48
60"	2CLC2060	2CLP46018	2CLP86018	2CLF60	2CWCP60
Type 4, 4X Stainless Steel					
24"	2CSC2024	2CSP42418	2CSP82418	2CSF24	2CWCP24
36"	2CSC2036	2CSP43618	2CSP83618	2CSF36	2CWCP36
48"	2CSC2048	2CSP44818	2CSP84818	2CSF48	2CWCP48
60"	2CSC2060	2CSP46018	2CSP86018	2CSF60	2CWCP60



Technical references and CAD downloads available at www.hammondmfg.com

All dimensions in inches unless specified otherwise

Series 2000 Modular Console System - NEMA 12, 4, 4X Master Selection Tables

Operator Interface Enclosure

Master Selection Table - Modular Console System Components



System Width	Standard Turret	Deep Turret	Plinth 4"	Plinth 8"	Footrest	Pedestal
Type 4 RAL 7035 Light Gray						
24"	2CLT202436	2CLT202443	2CLP42418	2CLP82418	2CLF24	2CLS
36"	2CLT203636	2CLT203643	2CLP43618	2CLP83618	2CLF36	—
48"	2CLT204836	2CLT204843	2CLP44818	2CLP84818	2CLF48	—
60"	2CLT206036	2CLT206043	2CLP46018	2CLP86018	2CLF60	—
Type 4, 4X Stainless Steel						
24"	2CST202436	2CST202443	2CSP42418	2CSP82418	2CSF24	2CSS
36"	2CST203636	2CST203643	2CSP43618	2CSP83618	2CSF36	—
48"	2CST204836	2CST204843	2CSP44818	2CSP84818	2CSF48	—
60"	2CST206036	2CST206043	2CSP46018	2CSP86018	2CSF60	—

Master Selection Table - Data Terminal



System Width	Data Terminal	Data Terminal Extension Ring	Single Access Base	Dual Access Base	Base Panel
Type 4 RAL 7035 Light Gray					
24"	2CLD24R	2CLD24X	2CLB262418	2CLBX262418	2CWBP24
Type 4, 4X Stainless Steel					
24"	2CSD24R	2CSD24X	2CSB262418	2CSBX262418	2CWBP24

Modular Console System

Series 2000 Modular Console System - NEMA 12, 4, 4X

External Components

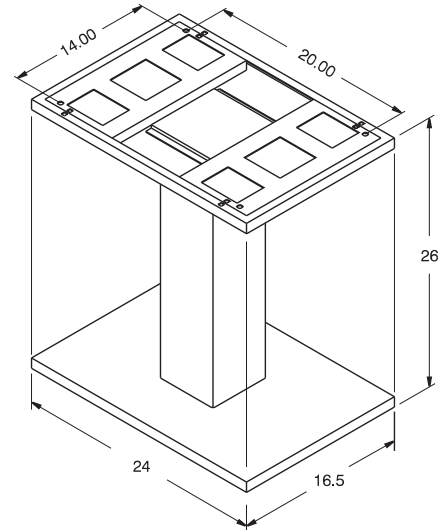
Operator Interface Enclosure



Pedestal

- Maintains NEMA rating of system.
- Formed 14 gauge steel.
- Also offered with formed 14 gauge stainless steel.
- Stiffeners added for solid stability.
- Open top and bottom provides an unobstructed wireway for pull through cabling.
- Can be mounted directly on floor or on a plinth.
- Available in light gray and natural stainless steel.

Part No.	Finish
2CLS	RAL 7035 Light Gray
2CSS	Stainless Steel

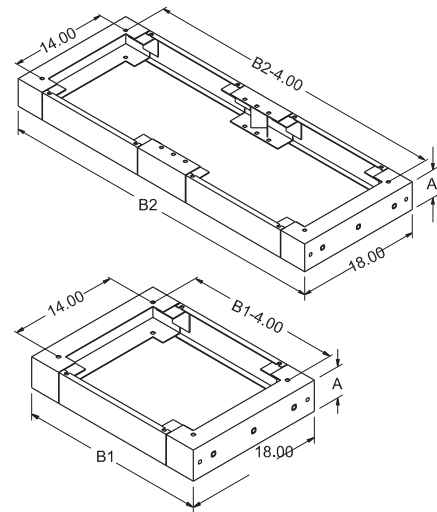


Modular Console System



Modular Plinth

- Features removable front and rear panels for easy access to bottom for cabling or transport by forklift.
- For cable access, features 3 double knockouts on each end. (**NOTE:** not on stainless steel version)
- Available in 4" and 8" heights.
- Available in 24", 36", 48" and 60" widths.
- Maintains NEMA rating of system.
- Formed 14 gauge steel.
- Also offered with formed 14 gauge stainless steel.
- Available in light gray and natural stainless steel.

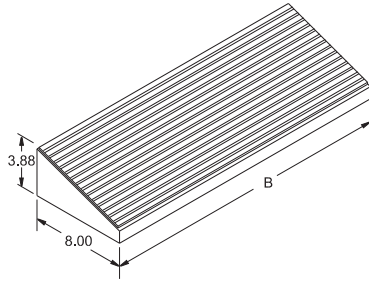
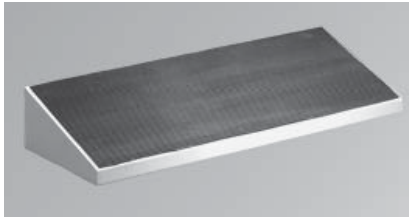


RAL 7035 Light Gray Part No.	Stainless Steel Part No.	A	B1	B2
2CLP42418	2CSP42418	4	24	—
2CLP43618	2CSP43618	4	36	—
2CLP44818	2CSP44818	4	—	48
2CLP46018	2CSP46018	4	—	60
2CLP82418	2CSP82418	8	24	—
2CLP83618	2CSP83618	8	36	—
2CLP84818	2CSP84818	8	—	48
2CLP86018	2CSP86018	8	—	60

Series 2000 Modular Console System - NEMA 12, 4, 4X

External Components

Operator Interface Enclosure



Footrest

- Generally used in combination with plinth.
- Provides a raised foot support to relieve back stress.
- Gives the installation a "finished" appearance.
- Available in 24", 36", 48" and 60" widths.
- Maintains NEMA rating of system.
- Formed 14 gauge steel.
- Also offered with formed 14 gauge stainless steel.
- Rubber tread for added traction on footrest surface.
- Available in light gray and natural stainless steel.

RAL 7035 Light Gray Part No.	Stainless Steel Part No.	B
2CLF24	2CSF24	24
2CLF36	2CSF36	36
2CLF48	2CSF48	48
2CLF60	2CSF60	60

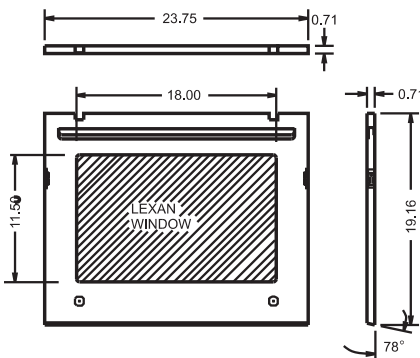


Data Terminal Extension Ring

- Formed 14 gauge steel.
- Adds 6" to Data Terminal Depth.
- Maintains NEMA rating.
- Utilizes door from Data Terminal.
- Fastens flush to back of Data Terminal.
- Available in light gray and natural stainless steel.

Part No.	Finish
2CLD24X	RAL 7035 Light Gray
2CSD24X	Stainless Steel

Modular Console System



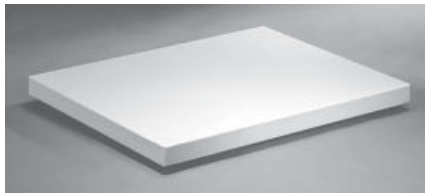
Turret/Terminal Window Door

- Maintains the NEMA rating of the enclosure.
- Constructed of 14 gauge steel and lexan window.
- Easy field installation.
- Fits Standard Turret, Deep Turret, and Data Terminal.
- Offered in 24" width only.
- Available in light gray and natural stainless steel.

Part No.	Finish
2CLTW24	RAL 7035 Light Gray
2CSTW24	Stainless Steel

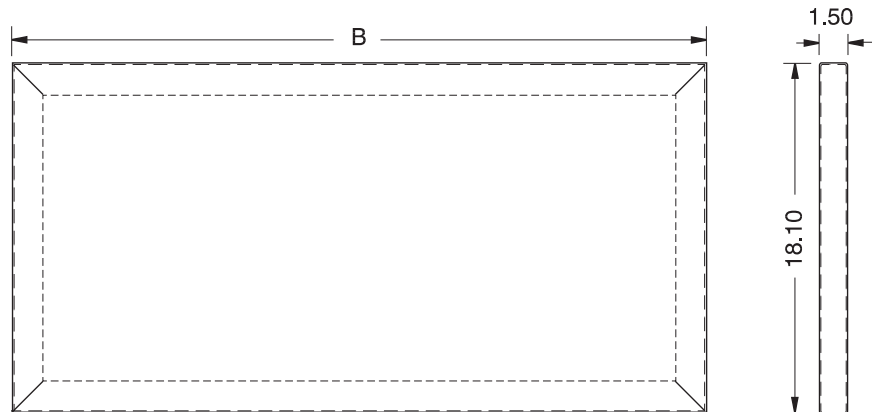
Series 2000 Modular Console System - NEMA 12, 4, 4X

External Components/Internal Accessories

Operator Interface Enclosure


Base Cover

- Should be used to close top opening (of either single or dual access) base when no other components are mounted on the base's top.
- Constructed of 14 gauge steel.
- Available light gray and natural stainless steel.
- Can also be used on the underside of a Standard Desk Unit, Standard Turret and Data Terminal.

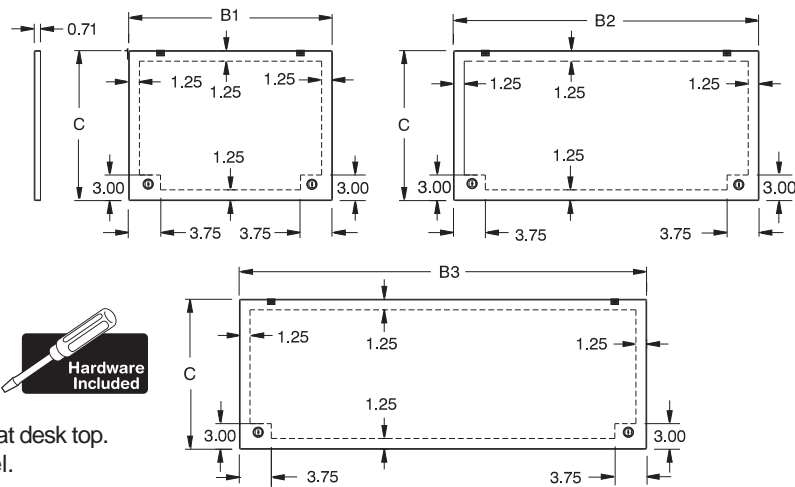


RAL 7035 Light Gray Part No.	Stainless Steel Part No.	B
2CLBC2436	2CSBC2436	24
2CLBC3636	2CSBC3636	36
2CLBC4836	2CSBC4836	48
2CLBC6036	2CSBC6036	60



Desk Cover

- For use when no turret is used on top of desk.
- Provides a hinged, flat, sturdy desk surface.
- Available for either Standard or Deep desks.
- Constructed of 14 gauge steel.
- Features quarter turn latches for easy access into flat desk top.
- Available in light gray and natural stainless steel.



RAL 7035 Light Gray Part No.	Stainless Steel Part No.	B1	B2	B3	C
Standard Depth Desk Cover					
2CLDC2436	2CSDC2436	23.75	—	—	16.38
2CLDC3636	2CSDC3636	—	35.75	—	16.38
2CLDC4836	2CSDC4836	—	—	47.75	16.38
2CLDC6036	2CSDC6036	—	—	59.75	16.38
Deep Depth Desk Cover					
2CLDC2443	2CSDC2443	23.75	—	—	24.03
2CLDC3643	2CSDC3643	—	35.75	—	24.03
2CLDC4843	2CSDC4843	—	—	47.75	24.03
2CLDC6043	2CSDC6043	—	—	59.75	24.03

 Technical references and CAD downloads available at www.hammondmfg.com

All dimensions in inches unless specified otherwise

Modular Console System

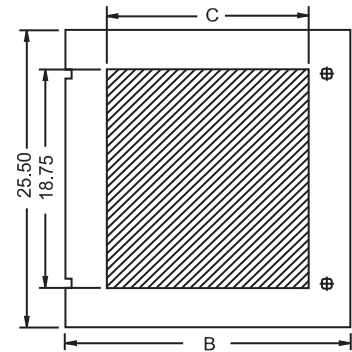
Series 2000 Modular Console System - NEMA 12, 4, 4X

External Components/Internal Accessories

Operator Interface Enclosure


Base Window Door

- Maintains the NEMA rating of the enclosure.
- Constructed of 14 gauge steel and lexan window.
- Easy field installation.
- Available for the 4 base widths.
- On 2 door units, a window can be installed on one side only.
- Available in light gray and natural stainless steel.



RAL 7035 Light Gray Part No.	Stainless Steel Part No.	Fits Base Width	B	C
2CLBW24	2CSBW24	24	23.75	16.75
2CLBW36	2CSBW36	36	35.75	28.75
2CLBW48	2CSBW48	48	23.75	16.75
2CLBW60	2CSBW60	60	29.75	22.75



Base Panel

- 14 gauge steel panels are finished in white.
- Used in both single access and dual access bases.
- Available in 4 widths.
- Mounts into "C" Channel Mounting Kit (not included.)
- Hardware required for mounting into "C" channels is included.

Part No.	Fits Base			
	Width	Height	Width	Depth
2CWBP24	24	22.5	20	0.75
2CWBP36	36	22.5	32	0.75
2CWBP48	48	22.5	44	0.75
2CWBP60	60	22.5	56	0.75



Console Panel

- 12 gauge steel panels.
- Available in 4 widths.
- Mounts onto panel mounting studs in console.
- Finished in white.



Part No.	Fits Console Width	Height	Width	Depth
2CWCP24	24	30.5	20.5	0.75
2CWCP36	36	30.5	32.5	0.75
2CWCP48	48	30.5	44.5	0.75
2CWCP60	60	30.5	56.5	0.75

Modular Console System

Series 2000 Modular Console System - NEMA 12, 4, 4X

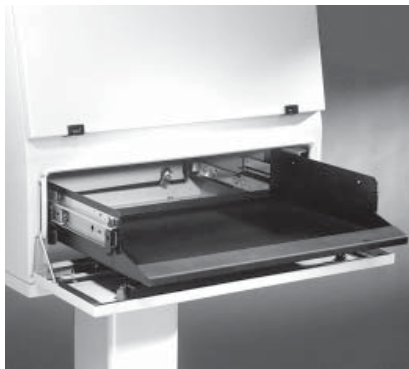
Internal Accessories

Operator Interface Enclosure

Desk Inner Panel

- 12 gauge steel panels.
- Used in both Standard and Deep desks.
- Available in 4 widths.
- Mounts horizontally onto panel mounting channels in bottom of desk.
- Finished in white.

Part No.	Fits Console Width	Height	Width	Depth
2CWDP24	24	0.5	22	16
2CWDP36	36	0.5	34	16
2CWDP48	48	0.5	46	16
2CWDP60	60	0.5	58	16



Terminal Keyboard Shelf

- Designed specifically for use in Data Terminal.
- Sloped wrist rest provides comfort for operator.
- Locks in place when extended.
- 20" width accommodates standard width keyboards.
- Finished in textured black.
- Slides included.

Part No.	Height	Width	Depth
2CWDSR	3.88	20	15.63

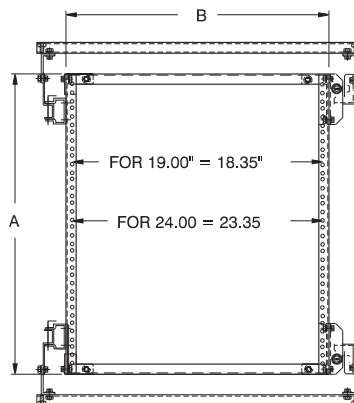


Swing Frame

- Available in 19" and 24" widths.
- Variable depth feature allows front to rear adjustment.
- Installs with either left or right hinging.
- Mounts onto Rail Support Kits (not included)...see next page.
- Clip nuts required for mounting to punched rails...see page 433
- Finished in textured black.



Part No.	Fits Console Unit	Fits Console Size	Panel Width	Panel Height	A	B
2CSFT19	Turrets/Terminal	24,36,48,60	19"	8U	15.75	19.28
2CSFT24	Turrets/Terminal	36,48,60	24"	8U	15.75	24.28
2CSFB19	Bases	24,36,48,60	19"	12U	22.09	19.28
2CSFB24	Bases	36,48,60	24"	12U	22.09	24.28


 Technical references and CAD downloads available at www.hammondmfg.com

All dimensions in inches unless specified otherwise

Modular Console System

Series 2000 Modular Console System - NEMA 12, 4, 4X

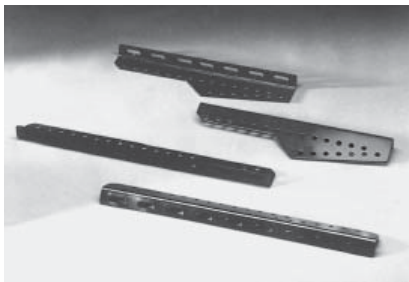
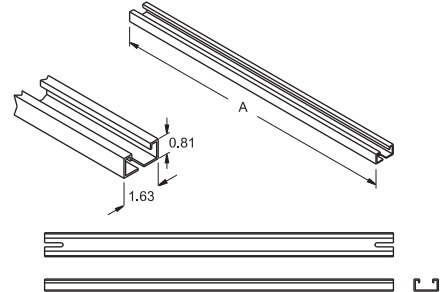
Internal Accessories

Operator Interface Enclosure


“C” Channel Mounting Kit

- For use in Turrets, Data Terminals and Bases.
- Provide adjustable (side to side) mounting support for Base Panels and all Rail Support Kits.
- Available in 4 widths.
- Finished in textured black.

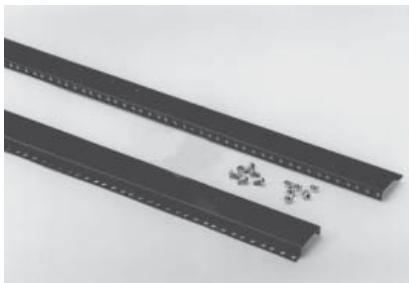
Part No.	Fits Console Width	A
2CMC24	24	23.5
2CMC36	36	33.5
2CMC48	48	47.5
2CMC60	60	59.5



Rail Support Kit

- Separate kits for Standard Turret/Data Terminal, Deep Turret and Bases.
- For use with Swing Frame, CRT Mounting Kit and Combination Rails.
- Mount into "C" channels (not included - see above).
- Finished in textured black.

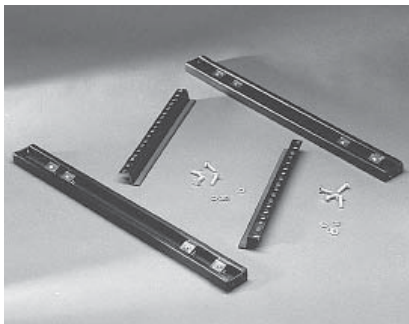
Part No.	Fits Console Unit
2CTRSK36	Turret/Terminal
2CTRSK43	Deep Turret
2CBRSK	Base



Combination Rails

- Provide standard 19"/24" mounting for electronic equipment or other console accessories.
- Features punched universal EIA spacing.
- Mounts onto Rail Support Kits (not included - see above).
- Clip nuts required for mounting to punched rails...see page 433
- Finished in black.

Part No.	Units	Fits Console Unit
2CTRK	9	Turrets/Terminal
2CBRK	13	Base


Modular Console System


CRT Mounting Kit

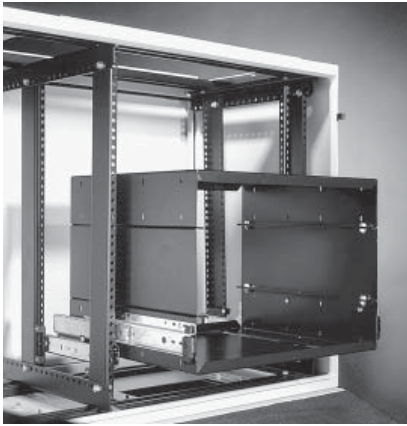
- Adjustable width allows for mounting of most CRT models.
- For use in Turrets or Data Terminal.
- Mounts onto Rail Support Kits (not included - see above).
- Finished in textured black.

Part No.	2CRTK
----------	--------------

Series 2000 Modular Console System - NEMA 12, 4, 4X

Internal Accessories

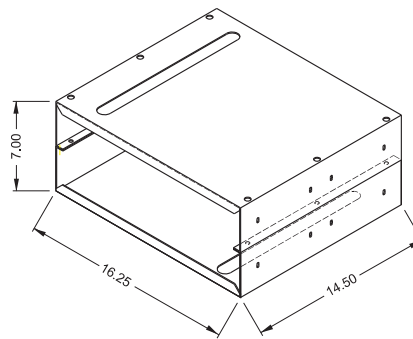
Operator Interface Enclosure



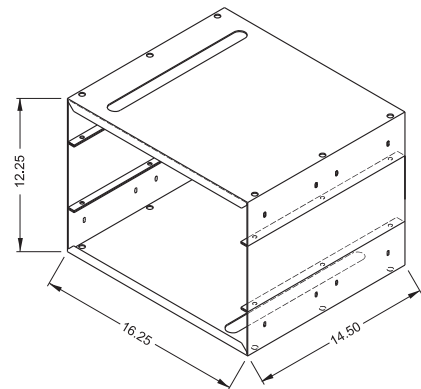
Printer and Paper Stand

- Provides convenient pullout access and support for printers in bases.
- Two versions available for high or low applications.
- Mounts onto Combination Rails (not included)...see page 226.
- Finished in textured black.
- Slides included.

Part No.	Description	Height
2CLPS	Low Printer Stand	7.00
2CHPS	High Printer Stand	12.25



Low Printer Stand



High Printer Stand

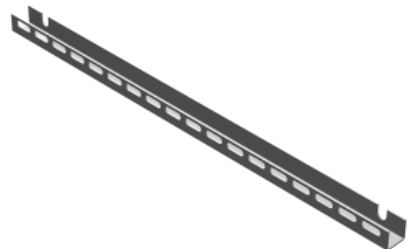
Modular Console System



Gas Filled Door Support

- Provide "lift assist" and door support for rear Turret/Data Terminal doors and Desk lids.
- Replace standard manual door supports.
- Finished in black.
- Sold individually.
- Recommend 1 for 24"/36" and 2 for 48"/60".

Part No.	2CDSTP
----------	---------------



DIN Rail Support Kit

- Provide adjustable mounting support for DIN rails (sold separately.)
- For use in Bases only.
- Mount into "C" channels (not included)



Part No.	2CDMK
----------	--------------

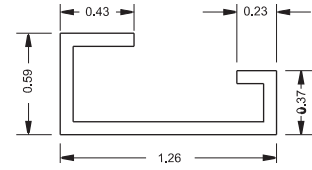
Series 2000 Modular Console System - NEMA 12, 4, 4X

Internal Accessories

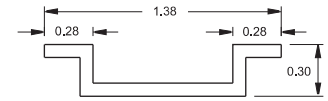
Operator Interface Enclosure


DIN Rails

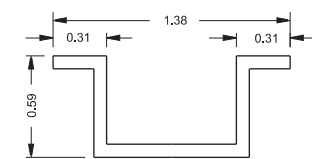
- Field installable.
- Includes a set of 3 plated rails.
- Available in 3 industry standard profiles - DIN 1, DIN 3, and CENELEC.
- DIN Rail Support Kit required...see page 227.
- Rails have a 0.28 x 1.25 oblong slot on each end.



Asymmetric DIN 1 Pro



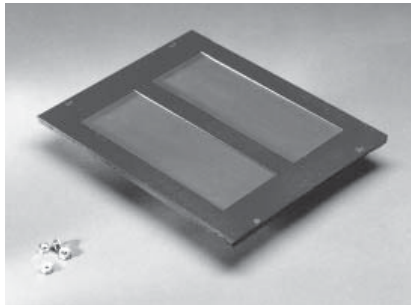
Symmetric DIN 3 Pro



CENELEC Pro

Asymmetric DIN1 Profile Part No.	Symmetric DIN 3 Profile Part No.	Cenelec Profile Part No.	Length
2D1K12	2D2K12	2DCK12	9.25
2D1K16	2D2K16	2DCK16	13.25
2D1K20	2D2K20	2DCK20	17.25
2D1K24	2D2K24	2DCK24	21.25
2D1K30	2D2K30	2DCK30	27.25

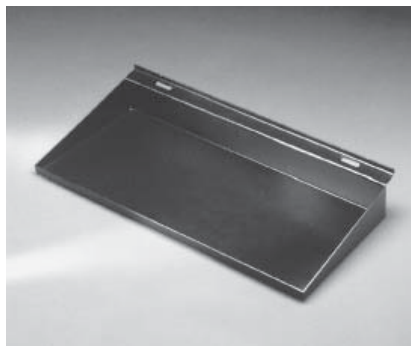
For sizing, refer to master selection table...see page 256.



Micro Cell Cable Entry Kit

- For use in Single or Dual Access Bases.
- Constructed of 14 gauge steel.
- Features 2 cutouts for cable access.
- Underside of cutouts covered with black foam rubber, which when punctured for cable access, still maintains a virtually sealed bottom.
- Finished in textured black.

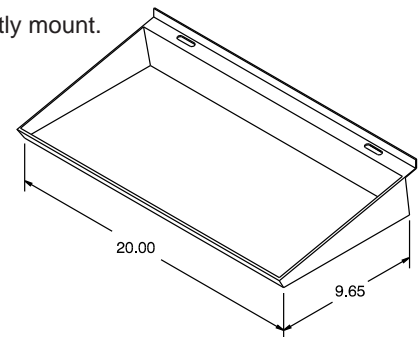
Part No. **2CMBPK**



Mobile Keyboard Support

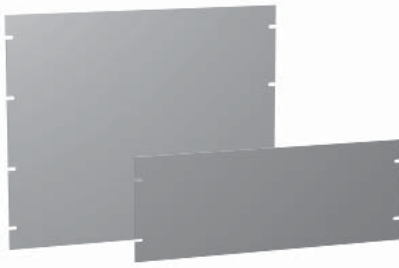
- Installs easily at any location along front of Desks or Consolet.
- Provides auxiliary or temporary keyboard support.
- 20" width accommodates standard width keyboards.
- Finished in textured black.
- Requires two drilled holes to permanently mount.

Part No. **2CMKS24**


Modular Console System

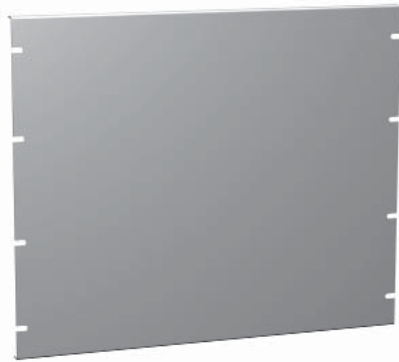
Series 2000 Modular Console System - NEMA 12, 4, 4X

Rack Mount Accessories

Operator Interface Enclosure


Flat Steel or Aluminum Panels

- Economical panels are made from high quality steel or aluminum.
- Mounting hardware not included, please order separately.
- Available in light gray (LG2), black (BK2) or gray (GY2).
- Aluminum panels are also available unfinished (UNF).



Formed Steel Panel

- A 0.50" fold top and bottom adds strength without increasing the panel thickness.
- Mounting hardware not included, please order separately.
- Available in light gray (LG2), black (BK2) or gray (GY2).


Modular Console System

No. of Slots	Panel Height Inches	Units	Flat 14 Gauge Steel (0.075")	Flat 0.125" Aluminum	Formed 16 Gauge Steel (0.060")
4	1.75	1	PBPS19001... ¹	PBPA19001... ²	PBFS19001... ¹
	3.50	2	PBPS19003...	PBPA19003...	PBFS19003...
	5.25	3	PBPS19005...	PBPA19005...	PBFS19005...
	7.00	4	PBPS19007...	PBPA19007...	PBFS19007...
	8.75	5	PBPS19008...	PBPA19008...	PBFS19008...
8	10.50	6	PBPS19010...	PBPA19010...	PBFS19010...
	12.25	7	PBPS19012...	PBPA19012...	PBFS19012...
	14.00	8	PBPS19014...	PBPA19014...	PBFS19014...
	15.75	9	PBPS19015...	PBPA19015...	PBFS19015...
	17.50	10	PBPS19017...	PBPA19017...	PBFS19017...
	19.25	11	PBPS19019...	PBPA19019...	PBFS19019...
	21.00	12	PBPS19021...	PBPA19021...	PBFS19021...
10	22.75	13	PBPS19022...	PBPA19022...	PBFS19022...
	24.50	14	PBPS19024...	PBPA19024...	PBFS19024...
	26.25	15	PBPS19026...	PBPA19026...	PBFS19026...
12	28.00	16	PBPS19028...	PBPA19028...	PBFS19028...
	29.75	17	PBPS19029...	PBPA19029...	PBFS19029...
	31.50	18	PBPS19031...	PBPA19031...	PBFS19031...

¹ Specify color code. Light Gray (LG2), Black (BK2) or Gray (GY2).

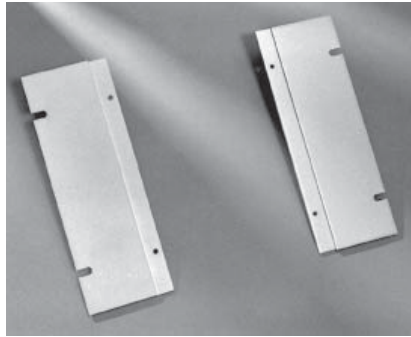
1 unit = 1.75"

² Specify color code. Light Gray (LG2), Black (BK2) Gray (GY2) or Unfinished (UNF). When unfinished, panels are paper covered on one side.

Series 2000 Modular Console System - NEMA 12, 4, 4X

Rack Mount Accessories

Operator Interface Enclosure



Panel Width Adaptors

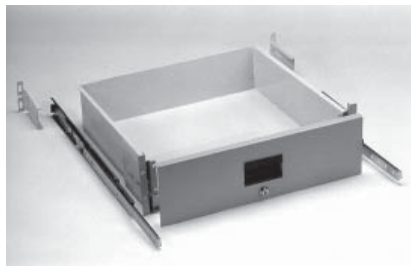
- Used for adapting flat 19" or 23" panels for 24" rack mounting.
- Mounting hardware not included, please order separately.
- 19" sold in pairs, 23" sold individually (only 1 required).
- Available in light gray or black.

Panel Height		For 14 Ga. Steel (0.075")
Inches	Units	19" Widths
1.75	1 ²	PBAS19001... ¹
3.50	2 ²	PBAS19003...
5.25	3 ²	PBAS19005...
7.00	4 ²	PBAS19007...
8.75	5 ²	PBAS19008...
10.50	6	PBAS19010...
12.25	7	PBAS19012...
14.00	8	PBAS19014...



¹Specify color code. Light Gray (LG2) or Black (BK2).

² 23" to 24" adaptors are available in these heights only; substitute "23" for "19" in the part no.



Storage Drawer Kit

- Complete drawer kit with slides and lock.
- Available in 3 depths.
- Rear support brackets included for all depths.
- Available in light Gray or black.



19" Drawer Kit Part Numbers			Panel Height	Units
12" Deep Drawer	16" Deep Drawer	22" Deep Drawer	Inches	
RDRW1900312... ¹	RDRW1900316... ¹	RDRW1900322... ¹	3.50	2
RDRW1900512...	RDRW1900516...	RDRW1900522...	5.25	3
RDRW1900712...	RDRW1900716...	RDRW1900722...	7.00	4
RDRW1900812...	RDRW1900816...	RDRW1900822...	8.75	5

¹Specify 3 digit color code. Light Gray (LG1) or Black (BK1).

1 unit = 1.75"

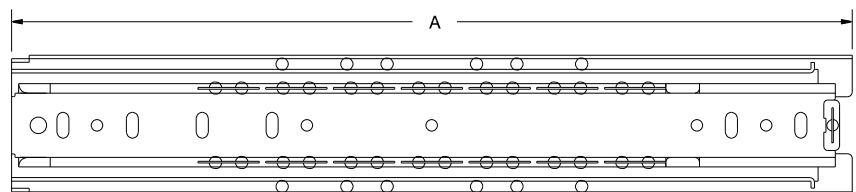
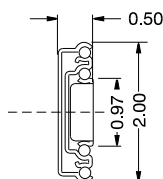
For 24" panel width versions, substitute "19" with "24" in the part number.



Equipment Slides

- Sold in **pairs**.
- Mounts on combination rail front flange (not included).

Part No.	(A) Length	Weight
		Capacity (Pair)
RSLIDE12	12	120 lb
RSLIDE16	16	130 lb
RSLIDE22	22	120 lb



Modular Console System

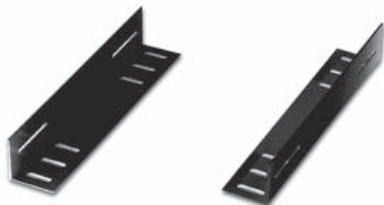
Technical references and CAD downloads available at www.hammondmfg.com

All dimensions in inches unless specified otherwise

Quality Products. Service Excellence.

Series 2000 Modular Console System - NEMA 12, 4, 4X

Rack Mount Accessories

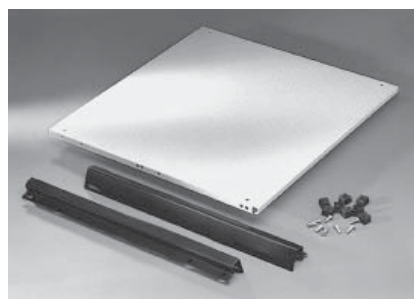
Operator Interface Enclosure


Adjustable Support Angles

- Angles mount on accessory rails with either leg used as support depending on requirements.
- Slots allow up/down or front/back adjustments.
- Made of 14 gauge steel, with dimensions of 1.75" x 1.75".
- Finished in black (BK3).
- Mounting hardware not included, please order separately.



Part No. (Pair)	Length (Inches)
RASA12BK3	9.98
RASA16BK3	14.95
RASA22BK3	20.95



Fixed Chassis/Shelf

- Can be used as a permanently mounted support shelf between accessory rails or as a pull-out chassis.
- Accepts optional slides for pull-out application.
- Material is 18 gauge (shelf) and 14 gauge (brackets).
- Shelf is 16.8" wide x 0.5" high.
- Refer to table at right for depth.
- Finished in white.



Part No.	Panel Width	Shelf Depth (In.)	Bracket Depth (In.)
RASC1912WH2	19	11.9	13.2
RASC1916WH2	19	15.9	14.9
RASC1922WH2	19	21.9	20.9
RASC2412WH2	24	11.9	13.2
RASC2416WH2	24	15.9	14.9
RASC2422WH2	24	21.9	20.9

Modular Console System


Equipment Shelf

- This closed utility shelf has 1.5 diameter cord access holes in each bottom corner. Fabricated from 18 gauge steel on top, bottom and sides.
- Inside dimensions are: 17.2" (wide) x 15.0" (deep).
- Height is 1" less than panel space.
- Finished in white.
- Mounting hardware not included, please order separately.



Part No.	Panel Height	
	Inches	Units
RASE1900815WH2	8.75	5
RASE1901015WH2	10.50	6
RASE1901215WH2	12.25	7

1 unit = 1.75"



Adjustable Support Bar

- This 16 gauge steel support fastens between accessory rails for support across rear of equipment.
- Minor modification required for use with tapped rails.
- Finished in black.



Part No.	Length (Inches)
RASB19BK1	19
RASB24BK1	24

Technical references and CAD downloads available at www.hammondmfg.com

All dimensions in inches unless specified otherwise

Series 2000 Modular Console System - NEMA 12, 4, 4X Rack Mount Accessories

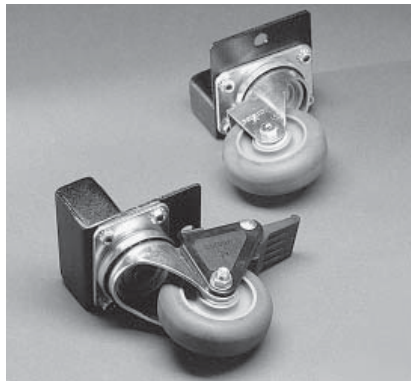
Operator Interface Enclosure



Optional Locks & Latches

- Field installable.
- Interchangeable with standard latches.
- Maintains NEMA Type 4, 4X, 12, 13 rating.

Part No.	Description
2WKL	Wing knob lock, zinc die/black
2SQI7	7mm square insert, black
2SQK7	7mm square key, fits 2SQI7
2TRI7	7mm triangle insert, black
2TRK7	7mm triangle key, fits 2TRI7
2SLI	Slotted insert, black
2QPL	Padlockable quarter turn latch, black



Series 2000 Console Casters

- Locking and non-locking versions.
- Mount directly to plinths.
- Sold in pairs to provide ability to mix locking and non-locking.
- Recommend 4 casters for 24"/36" and 6 casters for 48"/60".
- Weight capacity of 500 lbs. per pair.

Part No.	Type	No. of Casters
2CCSTL	Locking	2
2CCSTN	Non-Locking	2

Modular Console System

1488 Series Consolets - NEMA 12, 13

Hinged Cover Consolets

Operator Interface Enclosure



Application

- Designed for use as electric, hydraulic or pneumatic control and instrument enclosures.
- Ideal for flat or surface mounting/ pedestal to provide the necessary 30° or 60° control slope.
- Provides protection from dirt, dust, oil and water.

Standards

- UL 508 Type 12, 13
- CSA Type 12, 13
- **Complies with**
 - NEMA Type 12, 13
 - IEC 60529, IP54

Construction

- Formed 14 gauge steel.
- Smooth, continuously welded seams.
- Construction provides either 30° or 60° slope on front cover depending on mounting position.
- Continuously hinged cover may be removed by pulling the hinge pin.
- Captive cover screws thread into sealed wells.
- Oil resistant gasket and adhesive.
- A bonding stud is provided on the door and a ground stud is provided on the enclosure.

Finish

- Cover and enclosure are phosphatized and finished in ANSI 61 gray powder coating.

Accessories

- Pedestals...see page 454

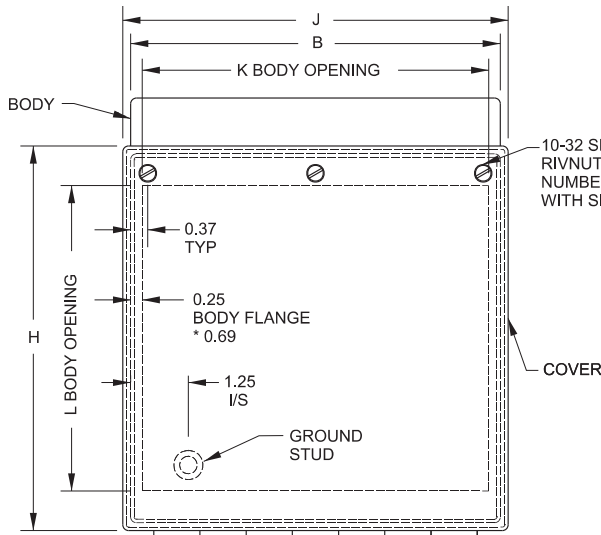
Consolet Enclosures

1488 Series Consolets - NEMA 12, 13

Hinged Cover Consolets

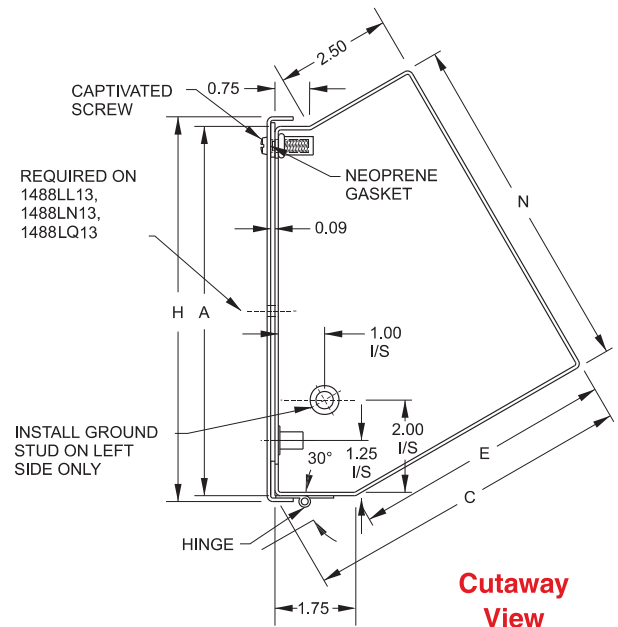
Operator Interface Enclosure

Consolet Enclosures

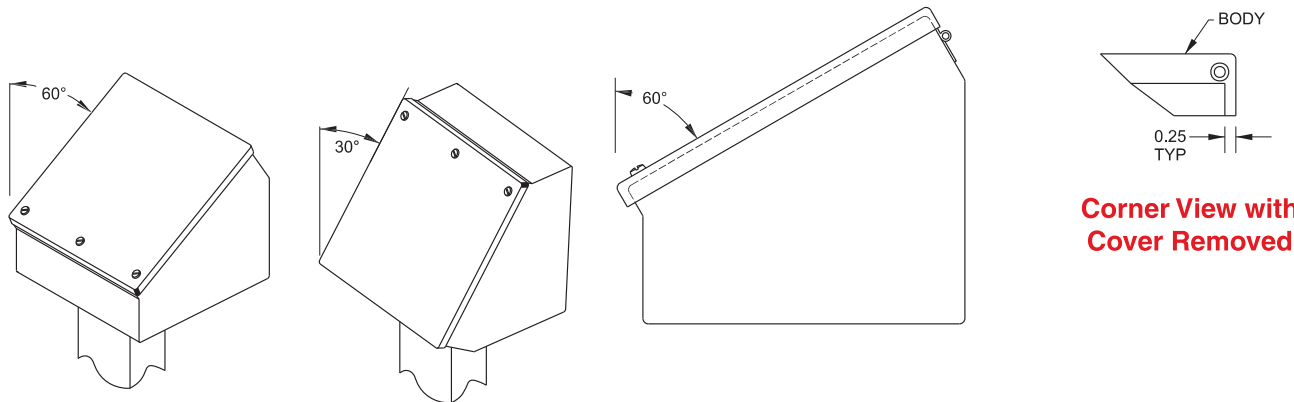


Front View

*Bracketed for 1488LL13, LN13 & LQ13



Cutaway View



Corner View with Cover Removed

Part No.	A	B	C	E	N	L	K	H	J	Ship Wt. lbs.
1488EE7	8	8	7.16	5.64	7.44	6.63	7.50	8.34	8.34	9
1488EH7	8	12	7.16	5.64	7.44	6.63	11.50	8.34	12.34	11
1488EJ7	8	16	7.16	5.64	7.44	6.63	15.50	8.34	16.34	13
1488EL7	8	20	7.16	5.64	7.44	6.63	19.50	8.34	20.34	15
1488HH9	12	12	9.16	7.64	10.90	10.63	11.50	12.34	12.34	16
1488HJ9	12	16	9.16	7.64	10.90	10.63	15.50	12.34	16.34	19
1488HL9	12	20	9.16	7.64	10.90	10.63	19.50	12.34	20.34	24
1488HN9	12	24	9.16	7.64	10.90	10.63	23.50	12.34	24.34	26
1488JJ11	16	16	11.16	9.64	14.37	14.63	15.50	16.34	16.34	26
1488JL11	16	20	11.16	9.64	14.37	14.63	19.50	16.34	20.34	30
1488JN11	16	24	11.16	9.64	14.37	14.63	23.50	16.34	24.34	39
1488JQ11	16	30	11.16	9.64	14.37	14.63	29.50	16.34	30.34	45
1488JS11	16	36	11.16	9.64	14.37	14.63	35.50	16.34	36.34	44
1488LL13	20	20	13.16	11.64	17.83	18.63	18.63	20.34	20.34	37
1488LN13	20	24	13.16	11.64	17.83	18.63	22.63	20.34	24.34	44
1488LQ13	20	30	13.16	11.64	17.83	18.63	28.63	20.34	30.34	47

Technical references and CAD downloads available at www.hammondmfg.com

All dimensions in inches unless specified otherwise

Quality Products. Service Excellence.

1471 Series Console Cabinet - NEMA 12

Sloped Front, Continuous Hinged Cover Console Cabinet

Operator Interface Enclosure



**Inner
Panel
Included**



Console Cabinets

Application

- Designed to house electrical, electronic, hydraulic or pneumatic controls and instruments.
- Heavy-duty construction provides protection from dirt, dust, oil and water.
- Sloping front control panel provides an ideal surface for mounting operator controls or instrumentation.
- Interior mounting provision on removable inner panels located on the rear and sides of the enclosure.

Standards

- UL 508 Type 12
- CSA Type 12
- **Complies with**
 - NEMA Type 12
 - IEC 60529, IP54

Construction

- Formed 14 gauge steel.
- Smooth, continuously welded seams, without knockouts, cutouts or holes.
- Sloped front instrument panel is continuously hinged on the front (bottom) edge and secured with captive panel screws, threaded into sealed wells.
- Continuously hinged door and front instrument panel may be removed by pulling the hinge pin.
- Doors are secured with a three point latch and operated with a key locking automotive type handle.
- Oil resistant gaskets are permanently secured and mechanically retained.
- Includes three removable inner panels formed from 12 gauge steel, mounted to the back and sides of the enclosure interior.
- Collar studs are provided for mounting inner panels.
- A bonding stud is provided on the door and a grounding stud is provided in the enclosure for each door.
- A literature pocket is provided for the inside of the door.

Finish

- Cover and enclosure are phosphatized and finished in ANSI 61 gray powder coating on the outside and on the inside.
- Removable inner panels are finished in white powder coating.

Accessories

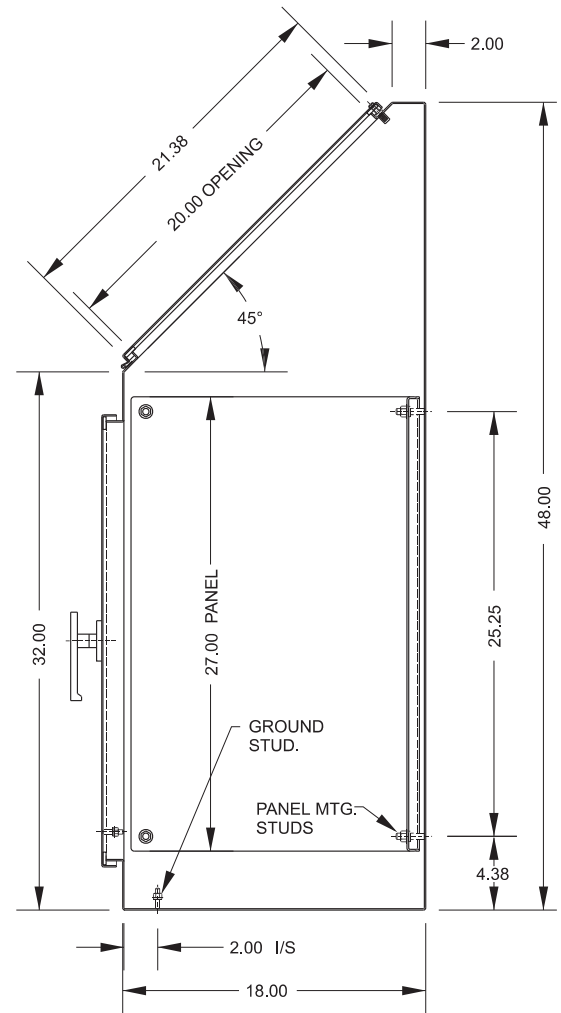
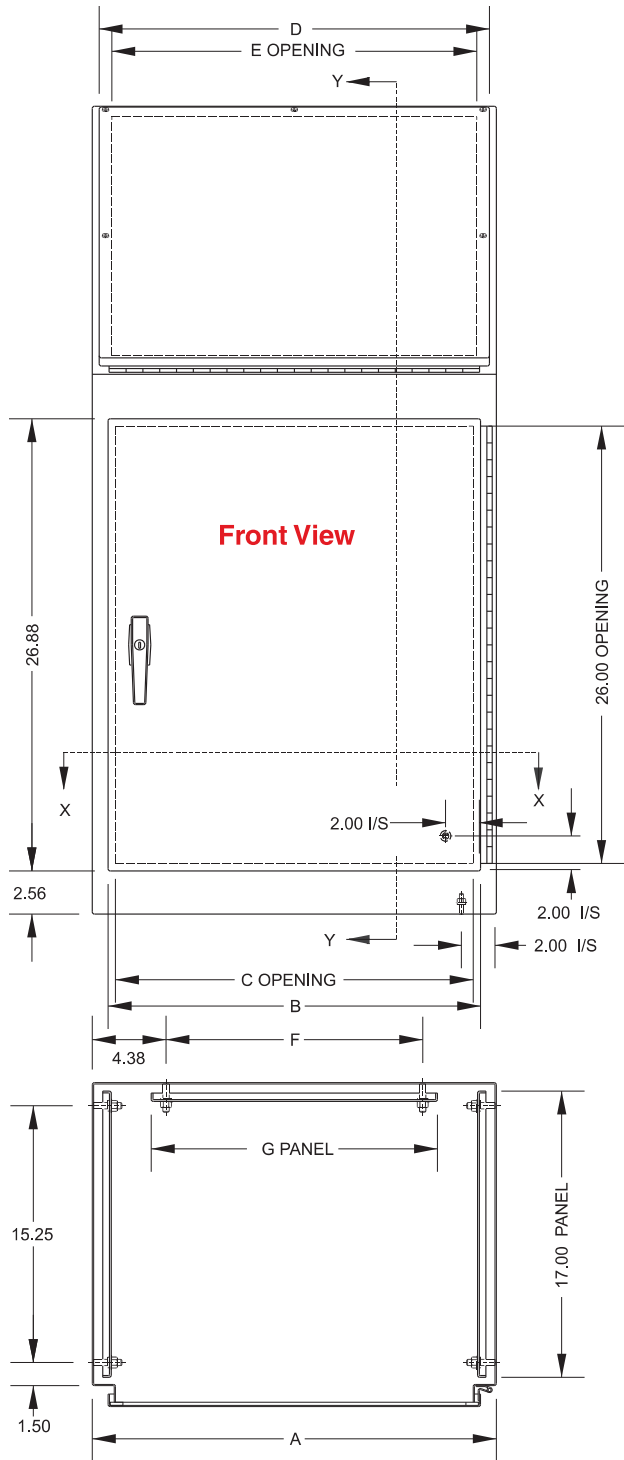
- Air conditioners...see page **349-367**
- Casters...see page **455**
- Door stop kit...see page **453**
- Heaters...see page **393-396**
- Lock kit...see page **431**
- Louvered ventilating plates
...see page **402**
- Window kits...see page **449**

1471 Series Console Cabinet - NEMA 12

Sloped Front, Continuous Hinged Cover Console Cabinet

Operator Interface Enclosure

Console Cabinets



Part No.	A	B	C	D	E	F	G	Ship Wt. lbs.
1471C24	24	22.13	21.25	23.18	21.69	15.25	17	165
1471C36	36	34.13	33.25	35.18	33.68	27.25	29	210

Technical references and CAD downloads available at www.hammondmfg.com

All dimensions in inches unless specified otherwise

Quality Products. Service Excellence.

Eclipse Command System - NEMA 12

Command Enclosure

Operator Interface Enclosure



Note: Shown with optional red handle

Panel
Sold
Separately



Application

- Designed to enclose electronic controls, instruments and components in indoor environments where dirt, dust, oil and water may be present.
- Ideal for use with suspension systems.
- Multiple mounting provisions and full front mounting space provide for ideal operator interface.
- Smooth flush surfaces and attractive finishes compliment high tech equipment.

Standards

- UL 508 type 12
- CSA type 12
- **Complies with**
 - NEMA Type 12 and 13
 - IEC 60529 IP54

Construction

- Formed from 16 gauge steel.
- Smooth, continuously welded seams ground smooth.
- Door stiffeners are designed to also permit additional mounting options.
- Formed lip on enclosure to exclude flowing liquids and contaminants.
- Reversible rear door is secured with slotted quarter turn fasteners.
- Door frames have zinc die-cast corners with extrusion pressed aluminum profiles.
- Door front panels are 3mm aluminum.
- Oil resistant gaskets are permanently secured.
- Bonding stud provided on door and grounding stud installed in enclosure.
- Quarter turn latches formed from mild steel.
- Formed steel hinge with stainless steel hinge pins.
- Fastening is recommended with optional Tara Plus or 50/80 suspension systems
...see page **239-250**
- Optional red handle easily mounts horizontally to bottom of enclosure front frame. Order separately
...see page **238**
- Heavy duty re-inforcing plate included.

Finish

- Finished in RAL 7040 gray powder coating.
- Door panel is natural aluminum.

Accessories

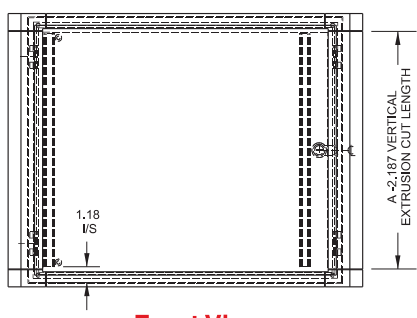
- Tara Plus suspension system
...see page **239-244**
- 50 mm heavy duty suspension system...see page **245-250**
- 80 mm heavy duty suspension system...see page **245-250**
- Inner panels...see next page

Suspension System

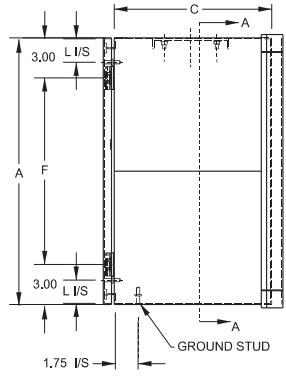
Eclipse Command System - NEMA 12

Command Enclosure

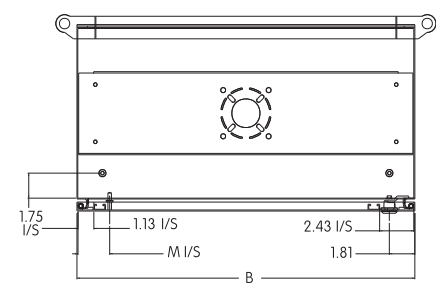
Operator Interface Enclosure



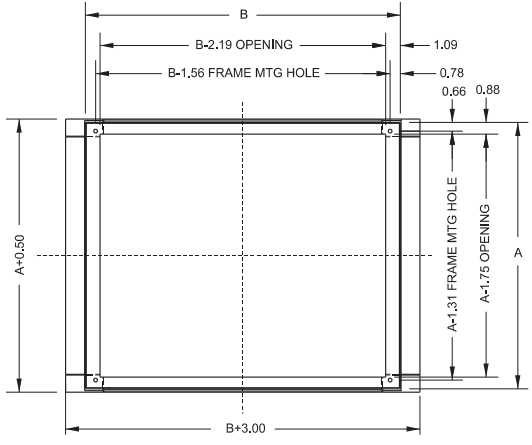
Front View



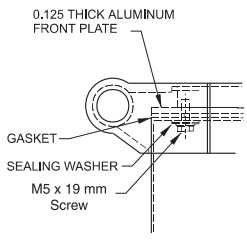
Side View - Hinge Side



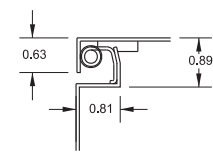
End View Section



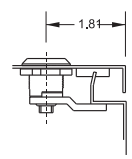
Section A-A



Corner Detail
Typ. 4 Places



Cross Section of 16 Gauge Body and Door

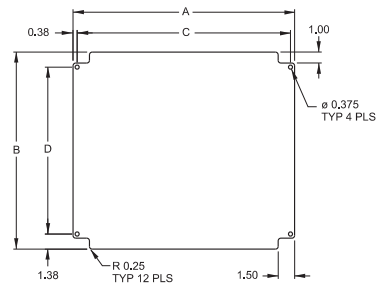


Lock Section

Part No.	Overall Dimensions							Optional Handle Part No.	Optional Panel Part No.	Ship Wt. lbs.
	A	B	C	F	L	M				
ECP12126	12	12	6	6.0	1.50	2.25	ECPH12	ECPP1212	17	
ECP12168	12	16	8	6.0	1.50	2.25	ECPH16	ECPP1216	21	
ECP161610	16	16	10	10.0	1.50	2.25	ECPH16	ECPP1616	29	
ECP162010	16	20	10	10.0	1.50	2.25	ECPH20	ECPP1620	32	
ECP20246	20	24	6	14.0	1.50	2.25	ECPH24	ECPP2024	34	
ECP202412	20	24	12	14.0	1.50	2.25	ECPH24	ECPP2024	43	

Optional Inner Panel

- Panel mounts on the rear door of command enclosures.
- Unfinished aluminum is 0.08" thick.



Part No.	A	B	C	D
ECPP1212	8.25	10.00	7.50	7.25
ECPP1216	12.25	10.00	11.50	7.25
ECPP1616	12.25	14.00	11.50	11.25
ECPP1620	16.25	14.00	15.50	11.25
ECPP2024	20.25	18.00	19.50	15.25

Optional Handle

- Easily mounts horizontally to bottom of enclosure front frame.
- Finished in red.



Part No.	Fits Enclosure
ECPH12	ECP12126
ECPH16	ECP12168, ECP161610
ECPH20	ECP1620
ECPH24	ECP202412, ECP20246

Suspension System

Technical references and CAD downloads available at www.hammondmfg.com

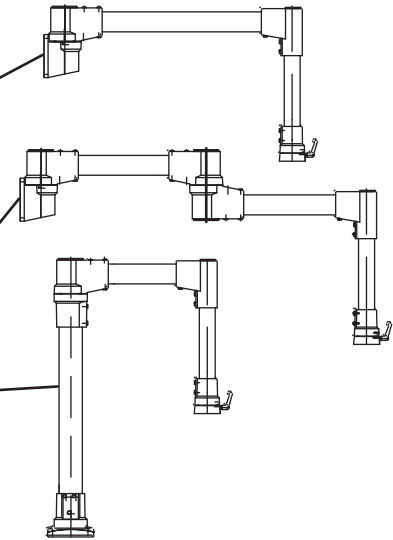
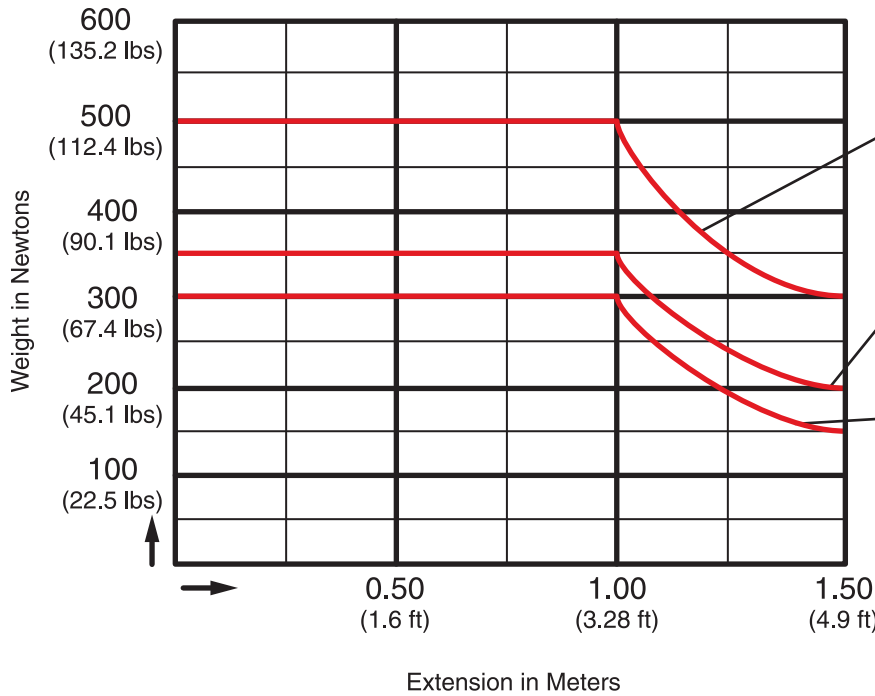
All dimensions in inches unless specified otherwise

Quality Products. Service Excellence.

Suspension Systems - NEMA 12, 13

Tara Plus Suspension System

Operator Interface Enclosure



Measurement Conversions

1 kg = 9.81 N 1 lb = 4.44 N
 e.g. 500 Newtons = 51 kg = 112.4 lbs
 300 Newtons = 30.6 kg = 67.4 lbs
 100 Newtons = 10.2 kg = 22.5 lbs
 1 foot = 0.305 m

Suspension System

Application

- Taraplus enclosure suspension systems are designed for light and medium loads.
- The strength of tube and cast fittings provide a highly flexible robust system.

Construction

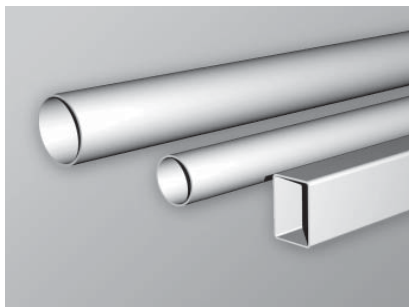
- Enclosure coupling and elbow coupling fittings are die-cast from G AL SI 12 aluminum.
- Suspension tubing is steel.

Finish

- Fittings are finished in RAL 7040 window gray.
- Suspension tubing is RAL 7035 light gray.

Standards

- Complies with
 - IEC 60529 IP54



Suspension Tube

Part No.	Outside mm	Inside mm	Tolerance	Length		Ship Wt. lbs
				Metres	Feet	
Round Tubes						
R144-301-000	48	42	±0.25	1	3.28	10
R144-321-000	70	62	±0.25	1	3.28	25
R144-321-500	70	62	±0.25	1.5	4.92	38
Rectangular Tubes						
R144-311-000	60 x 40	54 x 34	±0.50	1	3.28	13
R144-311-500	60 x 40	54 x 34	±0.50	1.5	4.92	26

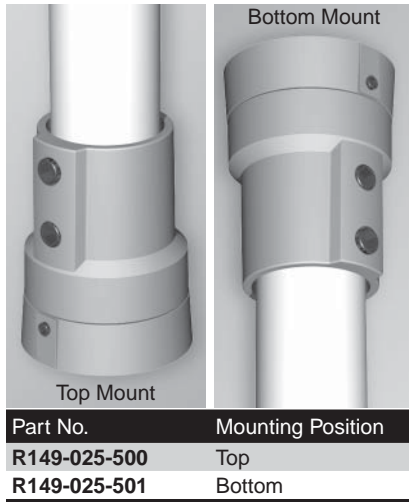
Technical references and CAD downloads available at www.hammondmfg.com

All dimensions in inches unless specified otherwise

Suspension Systems - NEMA 12, 13

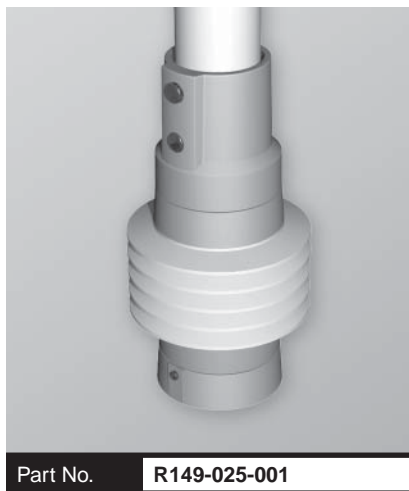
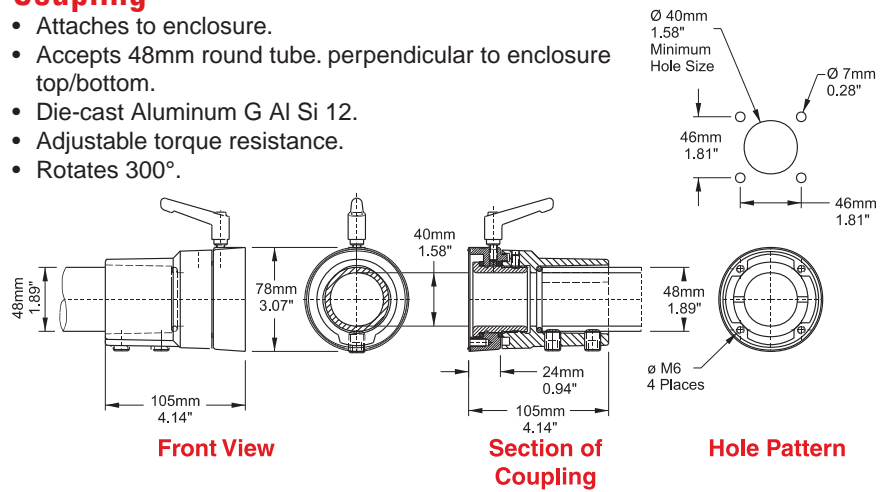
Tara Plus Suspension System

Operator Interface Enclosure



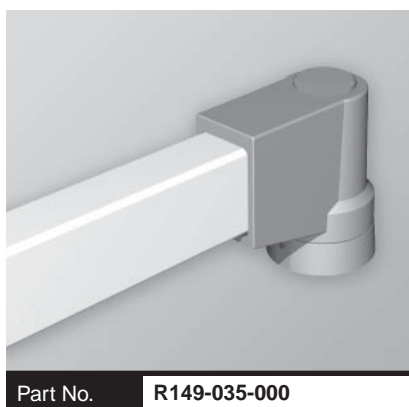
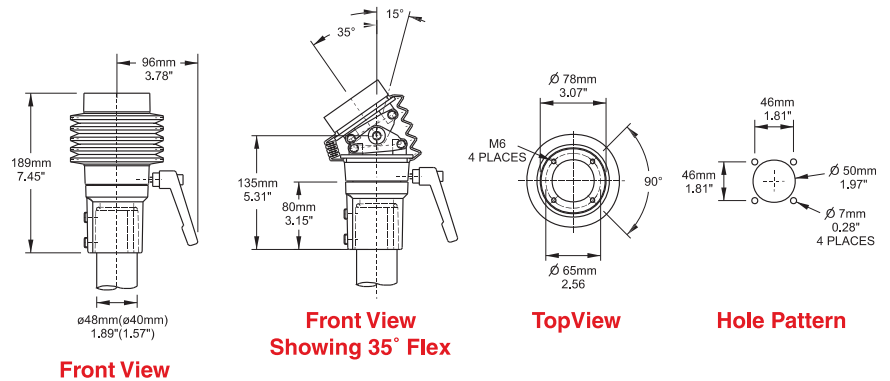
Coupling

- Attaches to enclosure.
- Accepts 48mm round tube, perpendicular to enclosure top/bottom.
- Die-cast Aluminum G Al Si 12.
- Adjustable torque resistance.
- Rotates 300°.



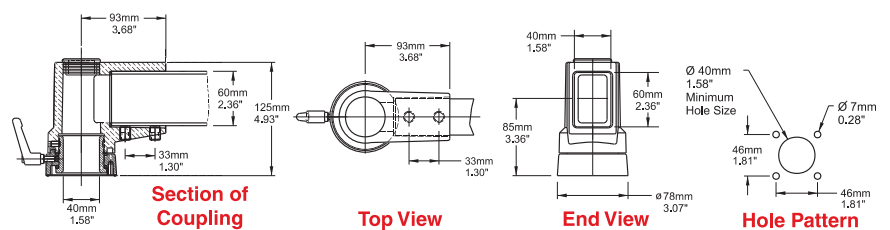
Tilt Coupling

- Attaches to enclosure.
- Accepts 48mm round tube perpendicular to enclosure top/bottom.
- Die-cast Aluminum G Al Si 12.
- Rotates 300°.
- Features an adjustable tilt mechanism up to 35°.



Elbow Coupling

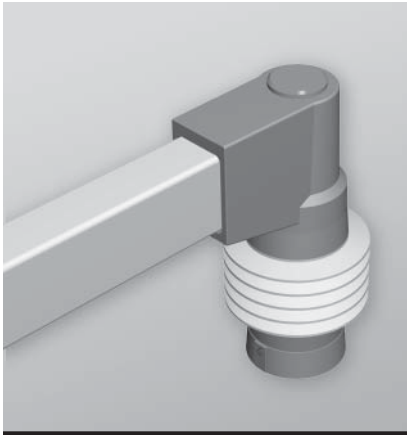
- Attaches to enclosure.
- Accepts 60x40mm rectangular tube parallel to enclosure top/bottom.
- Die-cast Aluminum G Al Si 12.
- Adjustable torque resistance.
- Rotates 300°.
- Accessible from the top.



Suspension System

Suspension Systems - NEMA 12, 13

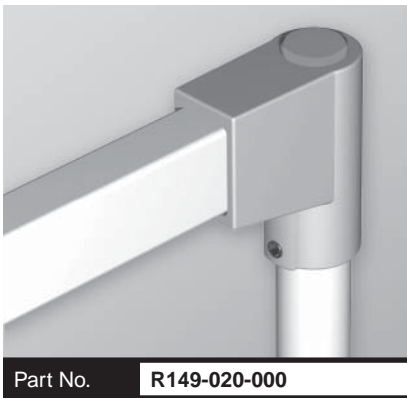
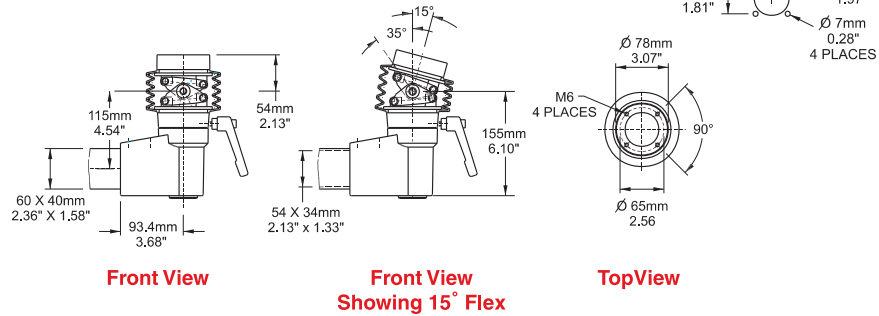
Tara Plus Suspension System



Part No. **R149-035-001**

Tilt Elbow Coupling

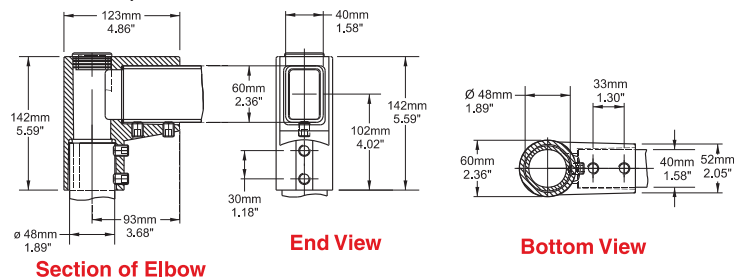
- Attaches to enclosure.
- Accepts 60x40mm rectangular tube parallel to enclosure top/bottom.
- Die-cast Aluminum G Al Si 12.
- Rotates 300°.
- Features an adjustable tilt mechanism up to 35°.



Part No. **R149-020-000**

Fixed Elbow 48

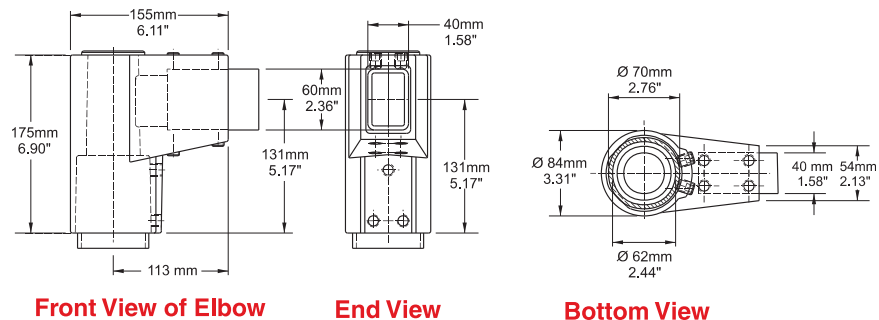
- For use with 48mm round tube and 60x40mm rectangular tube.
- Vertical 48mm tube connection for use with Couplings only (not Base 48).
- Die-cast Aluminum G Al Si 12.
- Large cover opening for easier cable pull through.
- No rotation.
- Accessible from the top.



Part No. **R149-020-001**

Fixed Elbow 70

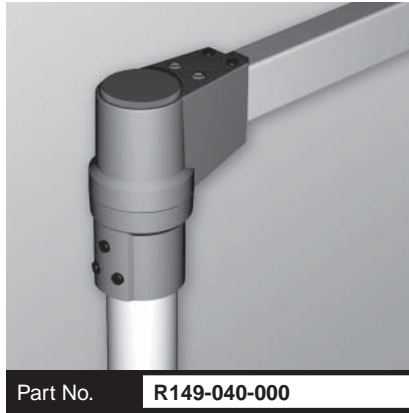
- For use with 70mm round tube and 60x40mm rectangular tube.
- Die-cast Aluminum G Al Si 12.
- No rotation.
- Accessible from the top.



Suspension Systems - NEMA 12, 13

Tara Plus Suspension System

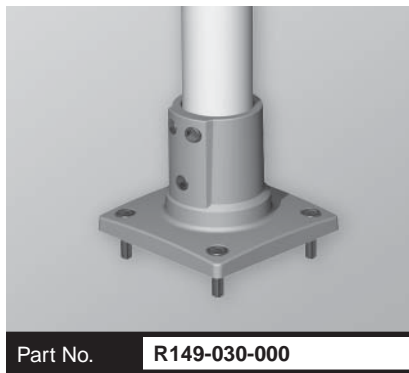
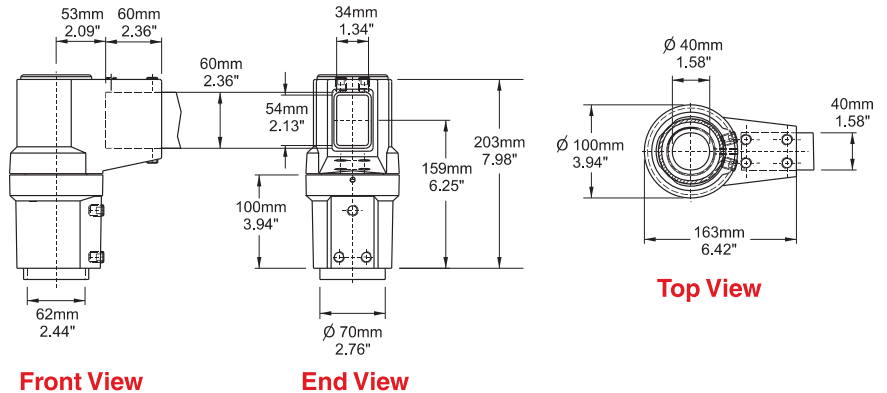
Operator Interface Enclosure



Part No. **R149-040-000**

Rotating Elbow

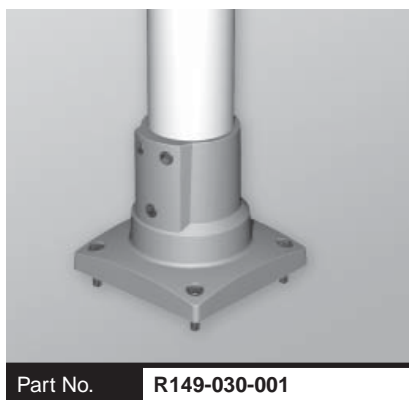
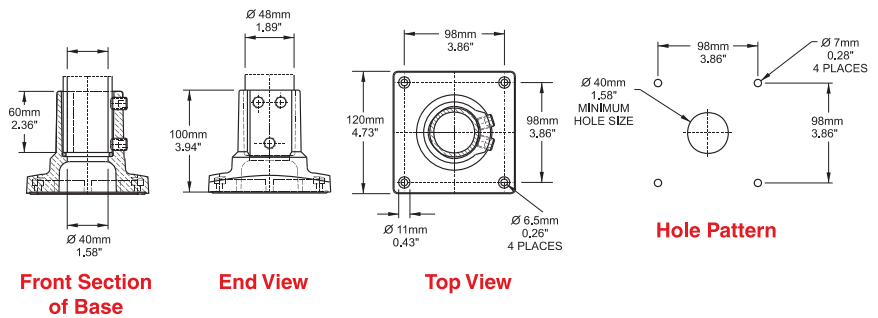
- For use with 70mm round tube and 60x40mm rectangular tube.
- Die-cast Aluminum G Al Si 12.
- Rotates 300°.
- Accessible from the top.



Part No. **R149-030-000**

Base 48

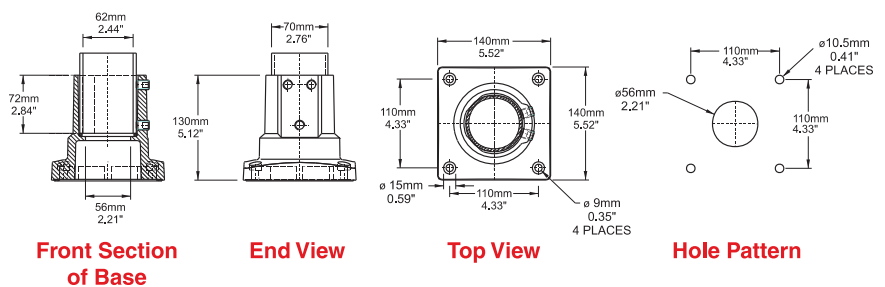
- For use with 48mm round tube.
- Not for use with any horizontal configurations.
- Compatible with tube up or tube down configurations.
- Die-cast Aluminum G Al Si 12.
- No rotation.



Part No. **R149-030-001**

Base 70

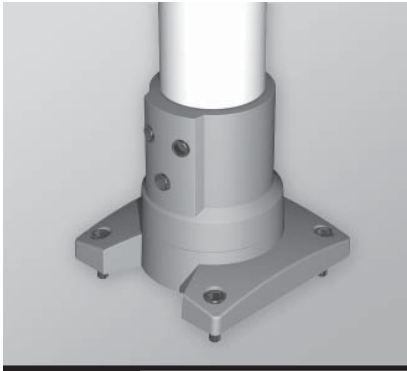
- For use with 70 mm tube.
- Compatible with all vertical and horizontal configurations.
- Compatible with tube up or tube down configurations.
- Die-cast Aluminum G Al Si 12.
- No rotation.



Suspension System

Suspension Systems - NEMA 12, 13

Tara Plus Suspension System

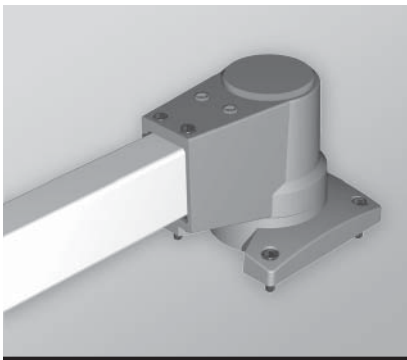
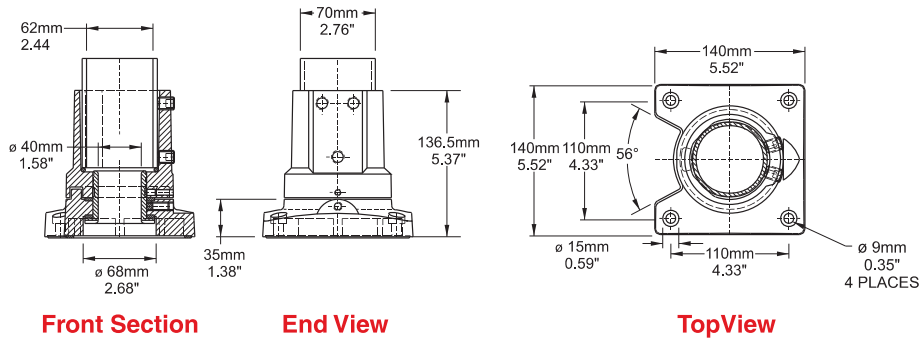
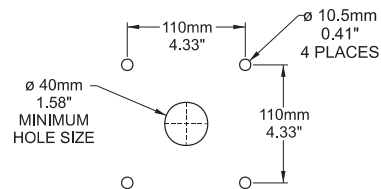


Part No. **R149-005-001**

Rotating Base 70

- For use with 70 mm tube.
- Compatible with all vertical and horizontal configurations.
- Compatible with tube up or tube down configurations.
- Die-cast Aluminum G Al Si 12.
- Rotates 300°.
- Integrated movement stop.
- Service free bearings.

Hole Pattern

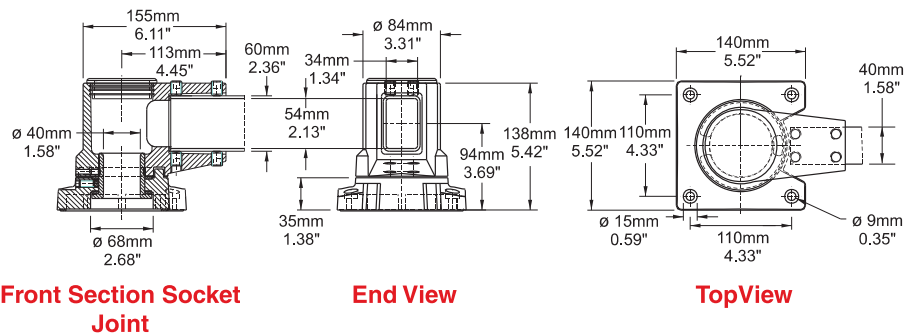
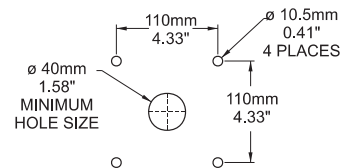


Part No. **R149-005-000**

Socket Joint

- Accepts 60x40mm rectangular tube parallel to its mounting surface.
- Die-cast Aluminum G Al Si 12.
- Integrated movement stop.
- Service free bearings.
- Rotates 300°.
- Adjustment screws (red screws).
- Accessible from the top.

Hole Pattern



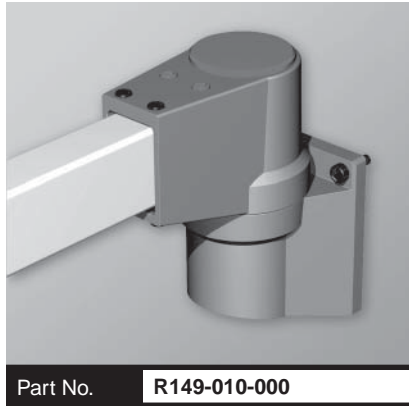
Technical references and CAD downloads available at www.hammondmfg.com

All dimensions in inches unless specified otherwise

Suspension Systems - NEMA 12, 13

Tara Plus Suspension System

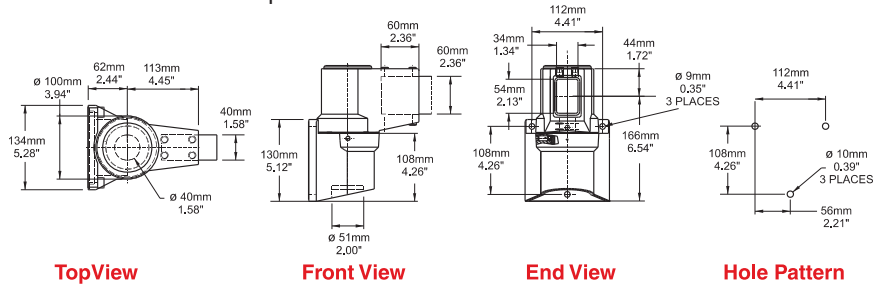
Operator Interface Enclosure



Part No. **R149-010-000**

Wall Joint

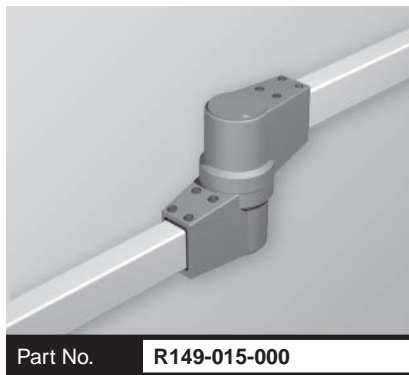
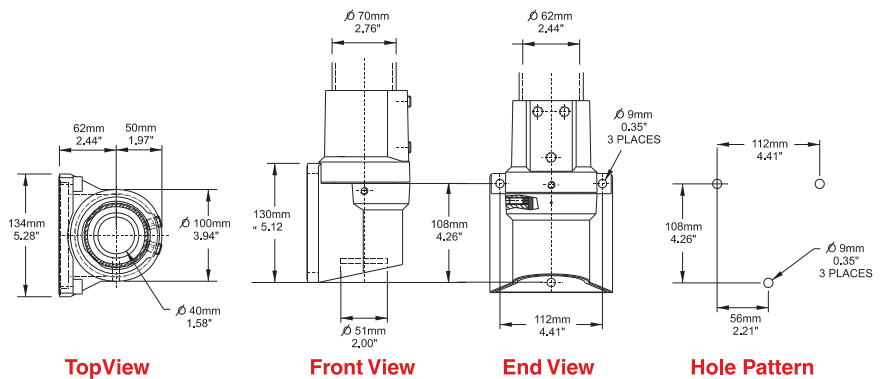
- Accepts 60x40mm rectangular tube perpendicular to its mounting surface.
- Die-cast Aluminum G Al Si 12.
- Rotates 186°.
- Accessible from the top.



Part No. **R149-010-001**

Vertical Wall Joint

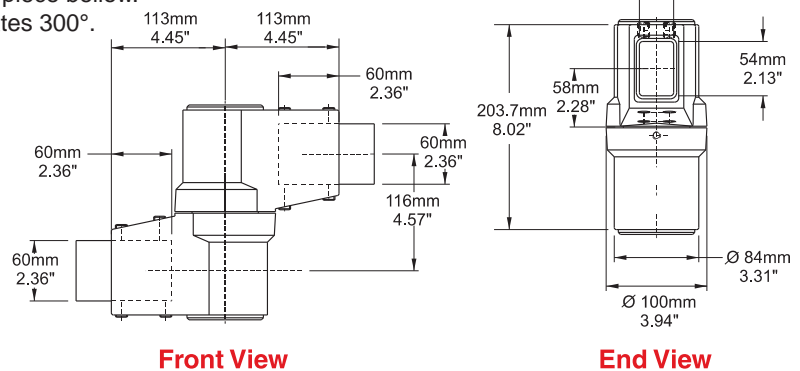
- Accepts 70mm tube parallel to its mounting surface.
- Die-cast Aluminum G Al Si 12.
- Rotates 316°.



Part No. **R149-015-000**

Intermediate Joint

- Accepts 60x40mm rectangular tube.
- Die-cast Aluminum G Al Si 12.
- Integrated movement stop.
- One piece bellow.
- Rotates 300°.

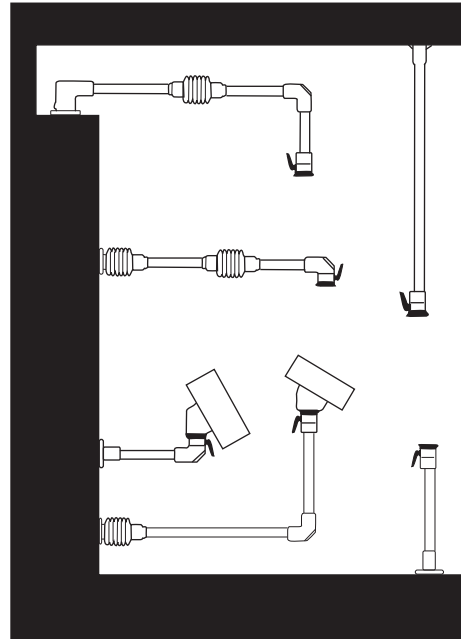
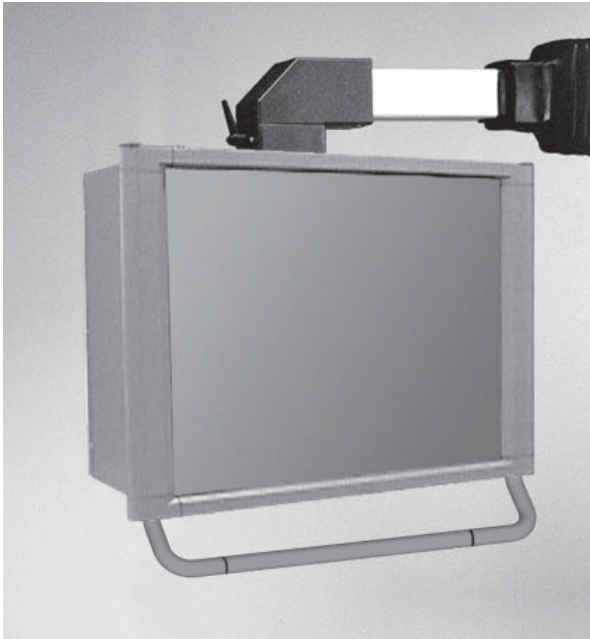


Suspension System

Suspension Systems - NEMA 12, 13

Heavy Duty 50 mm or 80 mm

Operator Interface Enclosure



Application

- Command 50mm and 80mm enclosure suspension systems are designed for medium and heavy loads.
- The strength of square tube and cast fittings provide a highly flexible, robust system.

Standards

- **Complies with**
 - IEC 60529, IP 54

Construction

- Enclosure coupling and elbow coupling fittings are die-cast from G Al Si 12 aluminum.
- All other fittings are die-cast 4G-s.g. iron.
- Suspension tubing is steel.

Finish

- Fittings are finished in RAL 7040 window gray powder coating.
- Suspension tubing is RAL 7035 light gray powder coating.

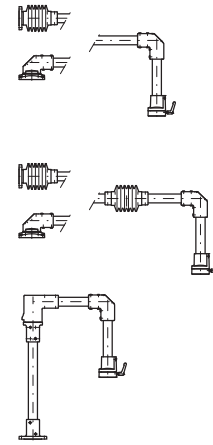
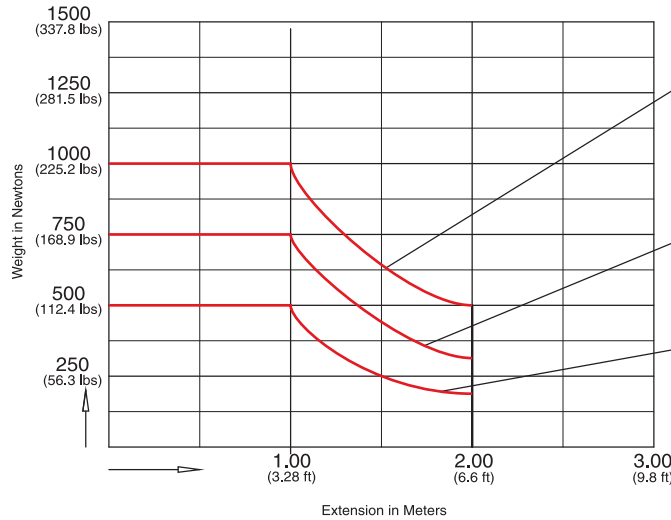
Suspension System

Suspension Systems - NEMA 12, 13

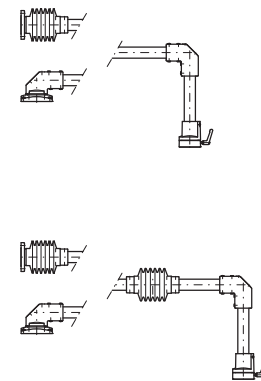
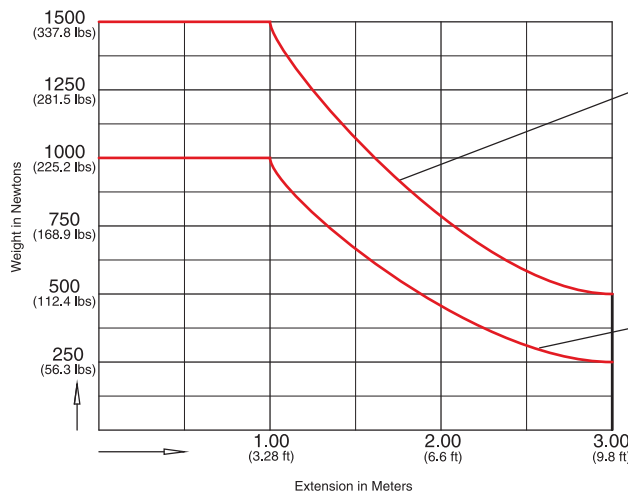
Heavy Duty 50 mm or 80 mm

Operator Interface Enclosure

Load Capacity for 50mm



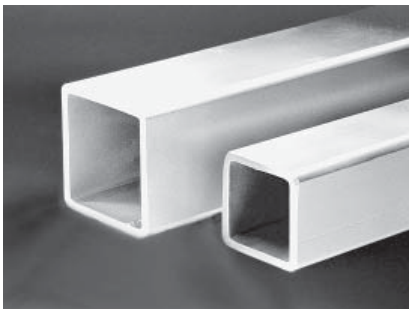
Load Capacity for 80mm



Measurement Conversions

1 kg = 9.81 N **1 lb = 4.44 N**
 e.g. 500 Newtons = 51 kg = 112.4 lbs
 300 Newtons = 30.6 kg = 67.4 lbs
 100 Newtons = 10.2 kg = 22.5 lbs
1 foot = 0.305 m

Suspension System



Suspension Tube

Part No.	Outside mm	Inside mm	Tolerance	Length		Ship Wt. lbs
				Metres	Feet	
R144-021-000R	50	40	±0.5	1	3.28	17
R144-022-000R	Square			2	6.56	26
R144-041-000R	80	70	±0.6	1	3.28	21
R144-042-000R	Square			2	6.56	33

Technical references and CAD downloads available at www.hammondmfg.com

All dimensions in inches unless specified otherwise

Quality Products. Service Excellence.

Suspension Systems - NEMA 12, 13

Heavy Duty 50 mm or 80 mm Components

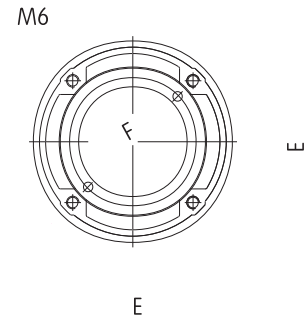
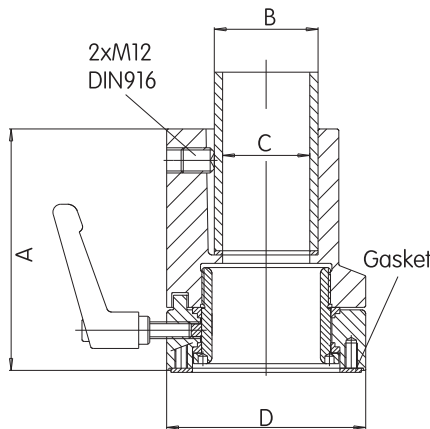
Operator Interface Enclosure



Enclosure Coupling

- Cast aluminum.
- Large thrust flange.
- Fastens with 4 hex socket screws.
- Adjustable torque resistance.
- Features a rotation range of 300°.

Part No.	System	A	B	C	D	E	F	Ship Wt. lbs.
R147-025-000R	in	50	4.53	1.97	1.65	3.78	2.28	2.06
	mm		115	50	42	96	58	52.3
R147-025-200R	in	80	5.71	3.15	2.83	5.47	3.42	3.35
	mm		145	80	72	139	87	85



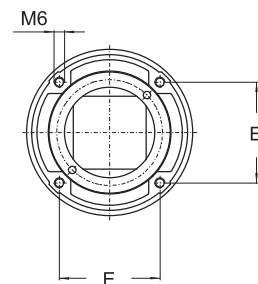
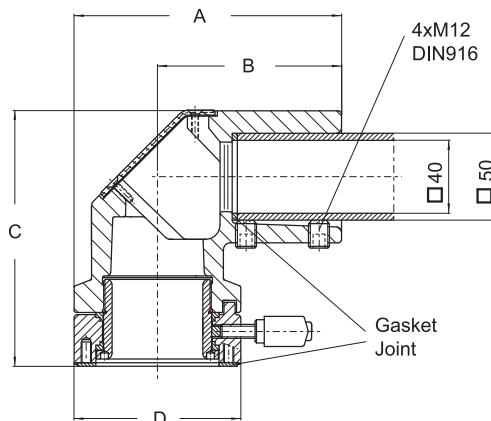
Suspension System



Elbow Coupling

- Cast Aluminum
- Large thrust flange.
- Fastens with 4 hex socket screws.
- Adjustable torque resistance.
- Features a rotation range of 300°.

Part No.	System	A	B	C	D	E	Ship Wt. lbs.
R147-035-000R	in	50	6.06	4.17	5.79	3.78	2.28
	mm		154	106	147	96	58
R147-035-200R	in	80	8.21	5.47	7.48	5.47	3.43
	mm		208.5	139	190	139	87



Suspension Systems - NEMA 12, 13

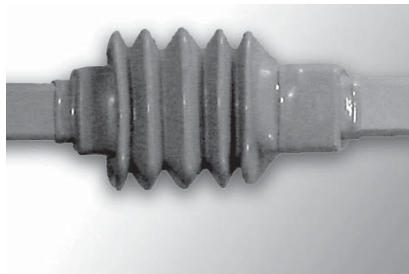
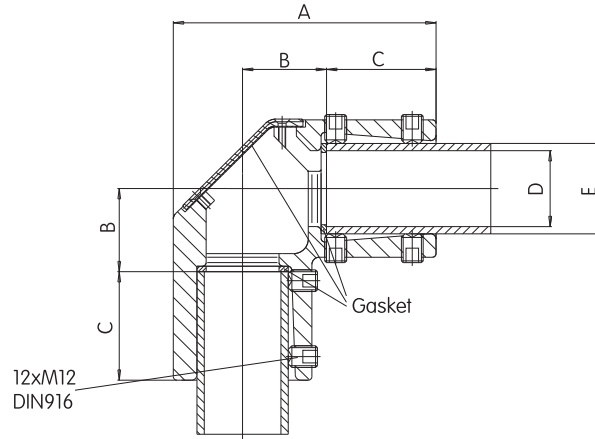
Heavy Duty 50 mm or 80 mm Components

Operator Interface Enclosure


Elbow

- Cast Aluminum
- Large cover opening for easier cable pull through.

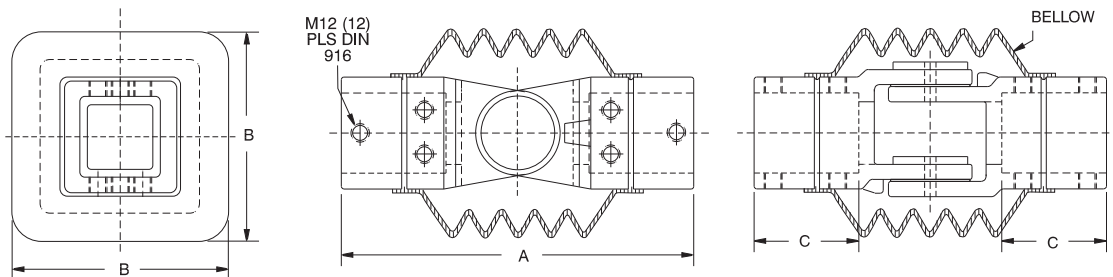
Part No.	System	A	B	C	D	E	Ship Wt. lbs.	
R147-020-000R	in	50	5.67	1.81	2.36	1.57	1.97	3
	mm		144	46	60	40	50	
R147-020-200R	in	80	7.60	2.20	3.27	2.76	3.15	6
	mm		193	56	83	70	80	



Intermediate Joint

- 4G-s.g. cast iron.
- Integrated movement stop.
- One piece bellow.
- Two sleeves.
- Features a rotation range of 170°.

Part No.	System	A	B	C	Ship Wt. lbs.	
R147-015-000R	in	50	9.29	5.83	2.76	9
	mm		236	148	70	
R147-015-200R	in	80	12.60	7.48	3.70	24
	mm		320	190	94	


Suspension System

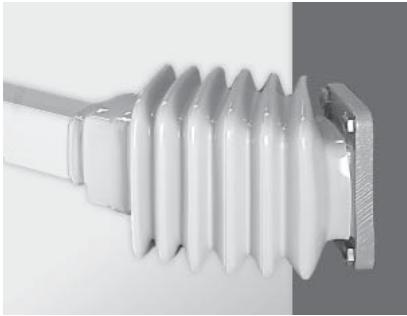
 Technical references and CAD downloads available at www.hammondmfg.com

All dimensions in inches unless specified otherwise

Quality Products. Service Excellence.

Suspension Systems - NEMA 12, 13

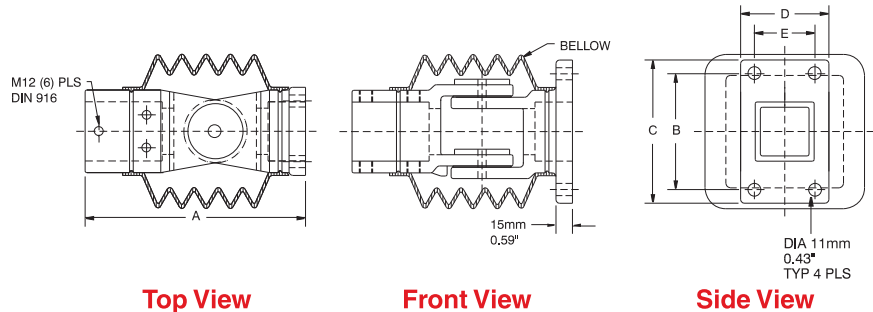
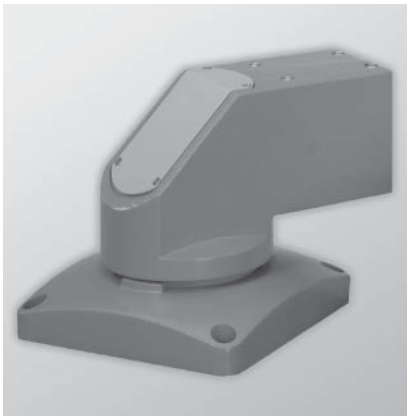
Heavy Duty 50 mm or 80 mm Components

Operator Interface Enclosure


Wall Joint

- 4G-s.g. cast iron.
- Integrated movement stop.
- One piece bellow.
- Two sleeves.
- Features a rotation range of 170°.

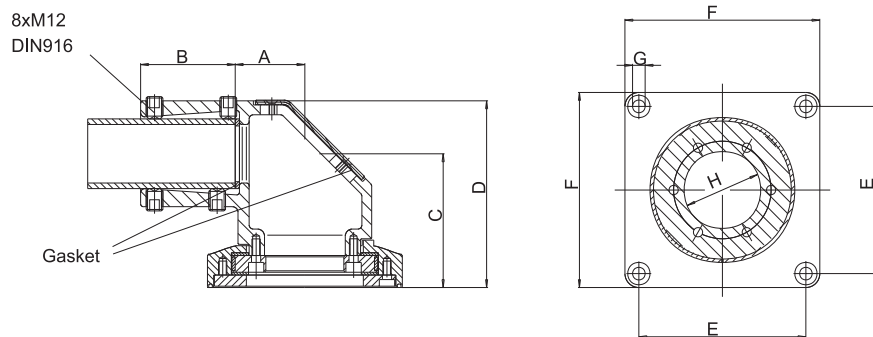
Part No.	System	A	B	C	D	E	Ship Wt. lbs.
R147-010-000R	in	50	8.27	4.13	5.12	3.15	2.17
	mm		210	105	130	80	55
R147-010-200R	in	80	10.83	5.91	6.89	4.53	3.54
	mm		275	150	175	115	90


Top View
Front View
Side View
Suspension System


Socket Joint

- Cast Aluminum.
- Integrated movement stop.
- Service free bearings.
- Features a rotation range of 300°.
- Can mount on top of machine or inverted.

Part No.	System	A	B	C	D	E	F	G	H	Ship Wt. lbs.
R147-005-000R	in	50	1.97	2.68	3.78	5.28	4.72	5.51	.35	2.17
	mm		50	68	96	134	120	140	9	55
R147-005-200R	in	80	2.91	3.86	5.57	7.70	7.09	8.27	.51	3.30
	mm		74	98	141.5	195.5	180	210	13	84



Suspension Systems - NEMA 12, 13 Heavy Duty 50 mm or 80 mm Components

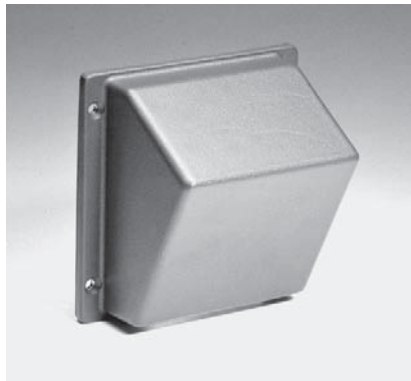
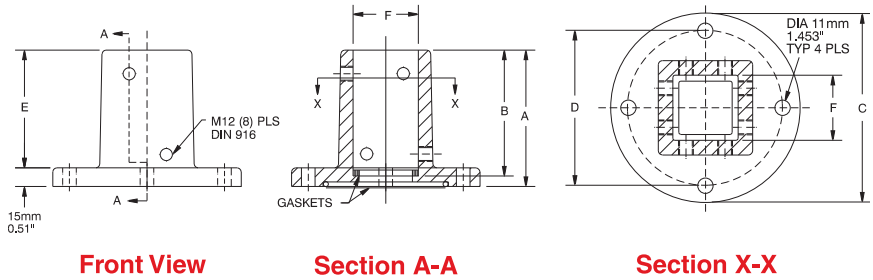
Operator Interface Enclosure



Cast Iron Base

- 4G-s.g. cast iron.
- Gasket included.
- Does not rotate.

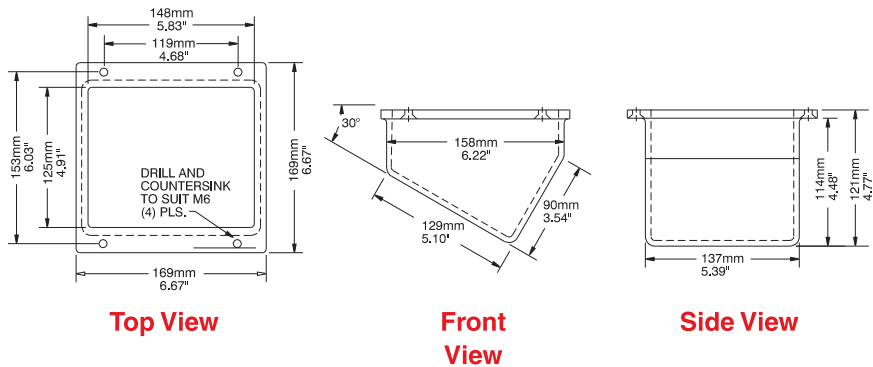
Part No.	System	A	B	C	D	E	F	Ship Wt. lbs.
R147-030-000R	in	50	4.33	3.94	5.98	4.92	3.74	1.97
	mm		110	100	152	125	95	50
R147-030-200R	in	80	5.51	5.12	7.87	6.81	4.92	3.15
	mm		140	130	200	173	125	80



Slope Adaptor

- Provides 30° or 60° incline by mounting to rear of enclosure.
- Cast aluminum.

Part No.	Ship Wt. lbs.
R140-045-000R	8

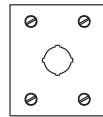


Suspension System

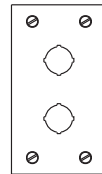
Pushbutton Enclosures - NEMA 12, 13

Miniature Pushbutton MPB Series

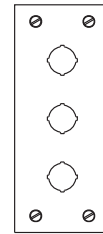
Operator Interface Enclosure



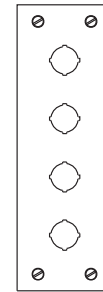
MPB1



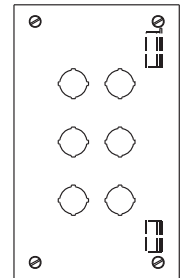
MPB2



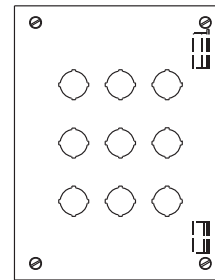
MPB3



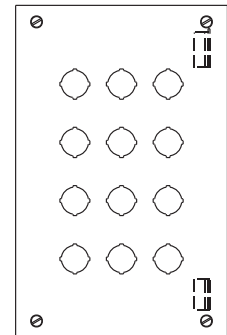
MPB4



MPB6



MPB9



MPB12

Application

- Designed to accept 22mm miniature oil tight pushbuttons, switches and pilot lights.
- Provides protection from dirt, dust, oil and water.

Standards

- UL 508 Type 12 and 13
- CSA Type 12 and 13
- **Complies with**
 - NEMA Type 12 and 13
 - JIC EMP-1-1967
 - JIC EGP-1-1967
 - IEC 60529, IP54
- Appropriate components are required to maintain these standards.

Construction

- Formed 14 gauge steel except the MPB1 which is 16 gauge.
- Smooth continuously welded seams.
- Welded brackets provide for enclosure mounting.
- Captive cover screws thread into sealed wells.
- Larger enclosures provide internally hinged removable covers, designed to hold the cover open during wiring (see table).
- Oil resistant gasket and adhesive.
- A bonding stud is provided on the door and a grounding stud is provided on the enclosure.

Finish

- Cover and enclosure are phosphatized and finished in ANSI 61 gray powder coating.

Accessories

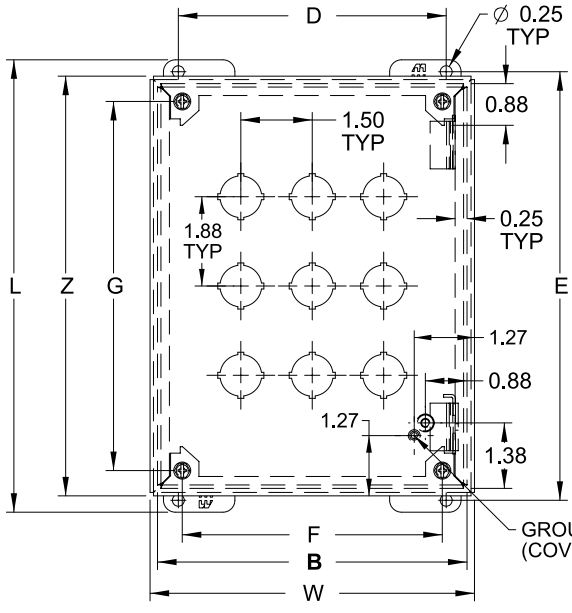
- Hole plugs...see page **435**
- Pedestals...see page **454**

Pushbutton Enclosures

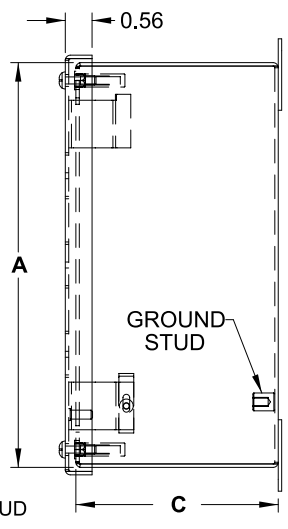
Pushbutton Enclosures - NEMA 12, 13

Miniature Pushbutton MPB Series

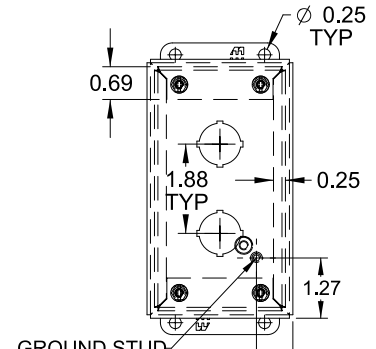
Operator Interface Enclosure



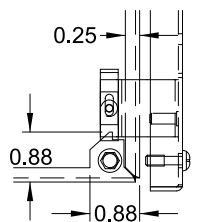
Front View
Body Type MPB6 through MPB12
(Hinged)



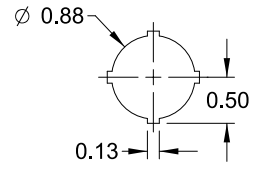
Side View



Front View
Body Type MPB1 through MPB4
(Not Hinged)



Hinge Detail
Retractable pin allows door to be mounted on left or right side



22.5mm Detail

Pushbutton Enclosures

Part No.	No. of Holes	Overall Dimensions										Ship Wt. lbs.
		A	B	C	D	E	F	G	L	W	Z	
MPB1 ¹	1	3.25	2.75	3.50	1.88	3.75	1.71	2.50	4.25	3.06	3.56	2
MPB2 ¹	2	5.13	2.75	3.50	1.88	5.63	1.71	4.38	6.13	3.06	5.44	3
MPB3 ¹	3	7.00	2.75	3.50	1.88	7.50	1.71	6.25	8.00	3.06	7.31	3
MPB4 ¹	4	8.88	2.75	3.50	1.88	9.38	1.71	8.13	9.88	3.06	9.19	4
MPB6	6	8.50	5.00	4.25	4.13	9.00	3.96	7.75	9.50	5.31	8.81	5
MPB9	9	8.50	6.50	4.25	5.63	9.00	5.46	7.75	9.50	6.81	8.81	6
MPB12	12	10.38	6.50	4.25	5.63	10.88	5.46	9.63	11.38	6.81	10.69	6

¹ Not hinged

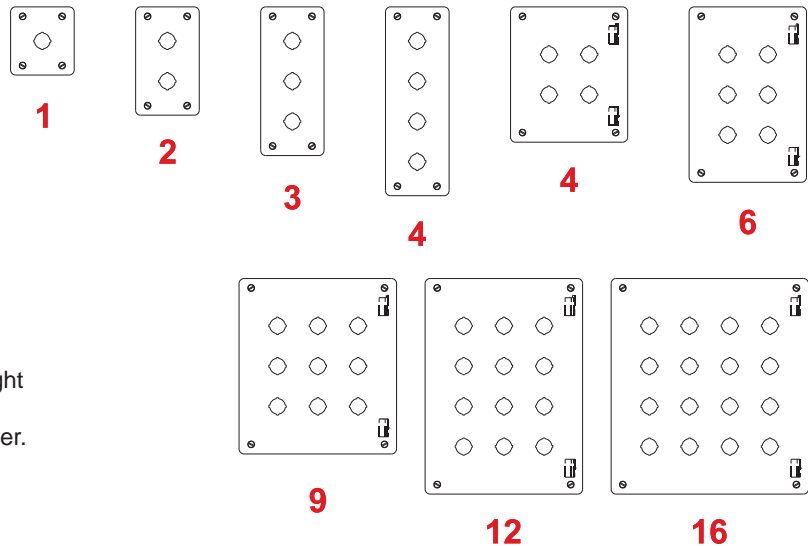
Technical references and CAD downloads available at www.hammondmfg.com All dimensions in inches unless specified otherwise

Quality Products. Service Excellence.

Pushbutton Enclosures - NEMA 12, 13

1435/1435M Series

Operator Interface Enclosure



Application

- Designed to accept standard heavy duty oil tight pushbuttons, switches and pilot lights.
- Provides protection from dirt, dust, oil and water.

Standards

- UL 508 Type 12 and 13
- CSA Type 12 and 13
- **Complies with**
 - NEMA Type 12 and 13
 - JIC standard EGP-1-1967
 - IEC 60529, IP54
- Appropriate components are required to maintain these standards.

Construction

- Formed 14 gauge steel except A and B which are 16 gauge.
- Smooth continuously welded seams.
- Welded brackets provide for enclosure mounting.
- Captive cover screws thread into sealed wells.
- Larger enclosures provide internally hinged removable covers, designed to hold the cover open during wiring (see table).
- Oil resistant gasket and adhesive.
- A bonding stud is provided on the door and a grounding stud is provided on the enclosure.

Finish

- Cover and enclosure are phosphatized and finished in ANSI 61 gray powder coating.

Accessories

- Hole plugs...see page [435](#)
- Pedestals...see page [454](#)

Technical references and CAD downloads available at www.hammondmfg.com

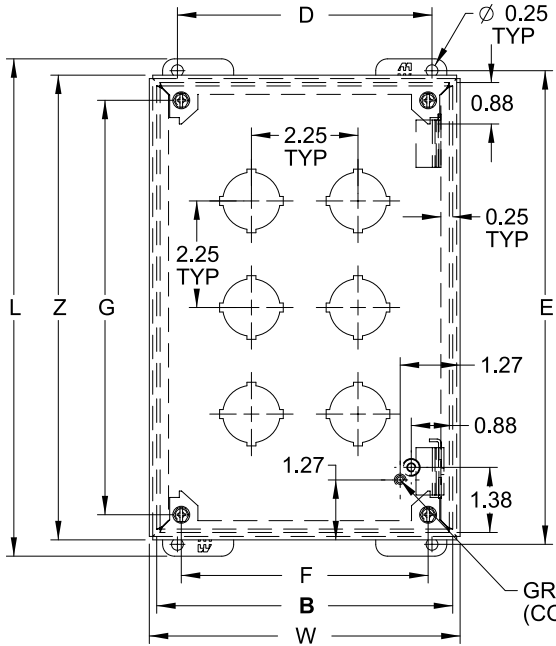
All dimensions in inches unless specified otherwise

Pushbutton Enclosures

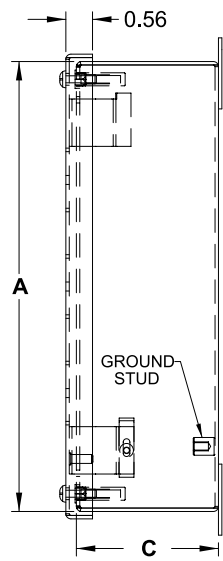
Pushbutton Enclosures - NEMA 12, 13

1435/1435M Series

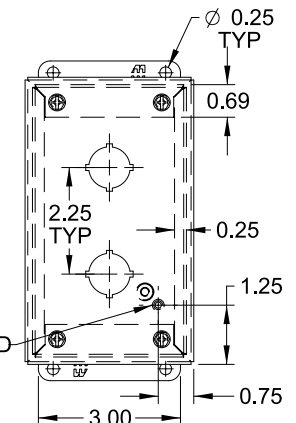
Operator Interface Enclosure



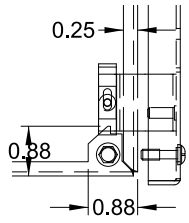
Front View
Body Type F through O
(Hinged)



Side View

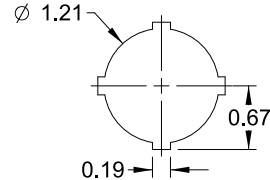


Front View
Body Type A through D
(Not Hinged)

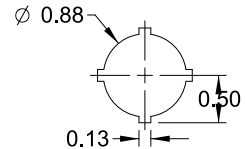


Hinge Detail

Retractable pin allows door to be mounted on left or right side



30.5mm Detail
(1435 Series)



22.5mm Detail
(1435M Series)

Pushbutton Enclosures

Part No.		No. of Holes	Overall Dimensions											Ship Wt. lbs.
30.5mm	22.5mm		A	B	C	D	E	F	G	L	W	Z		
1435A ¹	1435MA ¹	1	3.50	3.25	2.75	2.38	4.00	2.21	2.75	4.50	3.56	3.81	2	
1435B ¹	1435MB ¹	2	5.75	3.25	2.75	2.38	6.25	2.21	5.00	6.75	3.56	6.06	3	
1435C ¹	1435MC ¹	3	8.00	3.25	2.75	2.38	8.50	2.21	7.25	9.00	3.56	8.31	3	
1435D ¹	1435MD ¹	4	10.25	3.25	2.75	2.38	10.75	2.21	9.50	11.25	3.56	10.56	4	
1435F	1435MF	4	7.25	6.25	3.00	5.38	7.75	5.21	6.50	8.25	6.56	7.56	5	
1435H	1435MH	6	9.50	6.25	3.00	5.38	10.00	5.21	8.75	10.50	6.56	9.81	6	
1435K	1435MK	9	9.50	8.50	3.00	7.63	10.00	7.46	8.75	10.50	8.81	9.81	7	
1435O	1435MO	12	11.75	8.50	3.00	7.63	12.25	7.46	11.00	12.75	8.81	12.06	8	
1435S	1435MS	16	11.75	10.75	3.00	9.88	12.25	9.71	11.00	12.75	11.06	12.06	10	

¹ Not Hinged

Technical references and CAD downloads available at www.hammondmfg.com

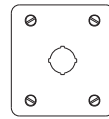
All dimensions in inches unless specified otherwise

Quality Products. Service Excellence.

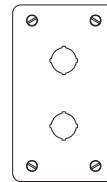
Pushbutton Enclosures - NEMA 4, 4X

1435/ 1435M Stainless Steel Series

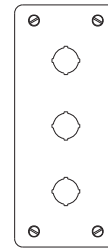
Operator Interface Enclosure



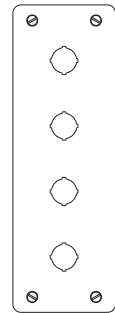
1



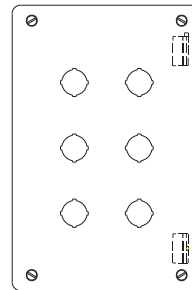
2



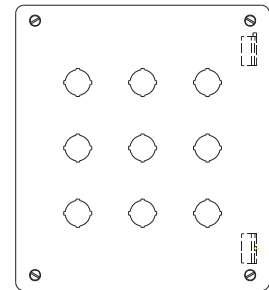
3



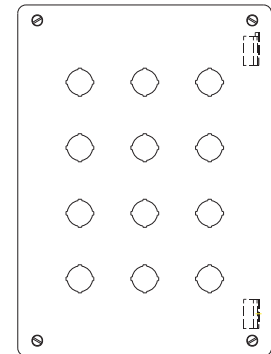
4



6



9



12

Application

- Designed to accept standard heavy duty oil tight pushbuttons, switches and pilot lights.
- Provides protection from dirt, dust, oil and large amounts of water from any angle, or where highly corrosive conditions exist.

Standards

- UL 508 Type 4 and 4X
- CSA Type 4 and 4X
- **Complies with**
 - NEMA Type 3R, 4 and 4X
 - JIC Standard EGP-1-1967
 - IEC 60529, IP66
- Appropriate components are required to maintain these standards.

Construction

- Formed 14 gauge stainless steel except A and B which are 16 gauge.
- 304 or 316 SS *see table*.
- Smooth continuously welded seams.
- Welded brackets provide for enclosure mounting.
- Captive stainless steel cover screws thread into sealed wells.
- Larger enclosures provide internally hinged removable covers, designed to hold the cover open during wiring (see table).
- Oil resistant gasket and adhesive.
- A bonding stud is provided on the door and a grounding stud is provided on the enclosure.

Finish

- Natural stainless steel with a smooth brushed finish.

Accessories

- Hole plugs...*see page 435*

Technical references and CAD downloads available at www.hammondmfg.com

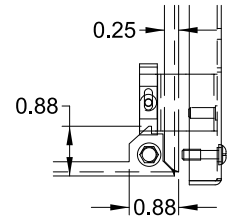
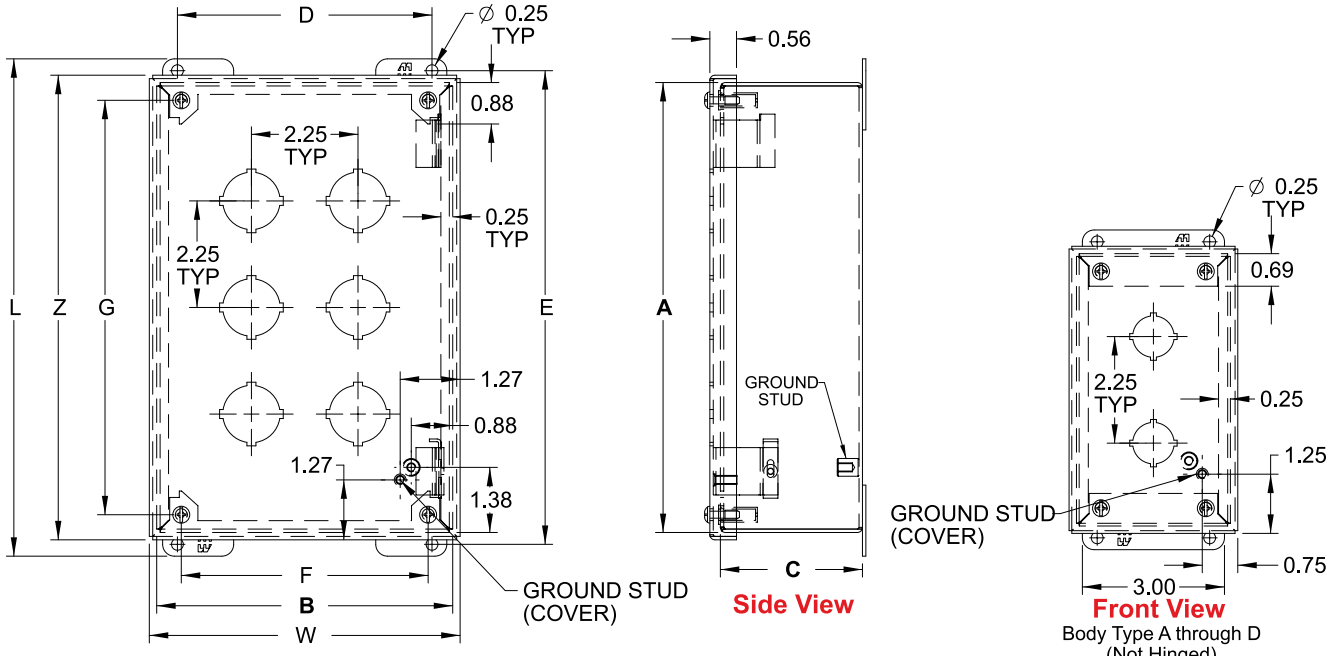
All dimensions in inches unless specified otherwise

Pushbutton Enclosures

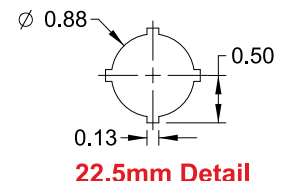
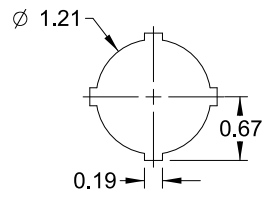
Pushbutton Enclosures - NEMA 4, 4X

1435/ 1435M Stainless Steel Series

Operator Interface Enclosure



Retractable pin allows door to be mounted on left or right side



Pushbutton Enclosures

Part No.				No. Of Holes	Overall Dimensions												Ship Wt. lbs.
304 S.S. 22.5mm	304 S.S. 30.5mm	316 S.S. 22.5mm	316 S.S. 30.5mm		A	B	C	D	E	F	G	L	W	Z			
1435MSSA ¹	1435SSA ¹	1435MS16A ¹	1435S16A ¹	1	3.50	3.25	2.75	2.38	4.00	2.21	2.75	4.50	3.56	3.81	2		
1435MSSB ¹	1435SSB ¹	1435MS16B ¹	1435S16B ¹	2	5.75	3.25	2.75	2.38	6.25	2.21	5.00	6.75	3.56	6.06	3		
1435MSSC ¹	1435SSC ¹	1435MS16C ¹	1435S16C ¹	3	8.00	3.25	2.75	2.38	8.50	2.21	7.25	9.00	3.56	8.31	3		
1435MSSD ¹	1435SSD ¹	1435MS16D ¹	1435S16D ¹	4	10.25	3.25	2.75	2.38	10.75	2.21	9.50	11.25	3.56	10.56	4		
1435MSSH	1435SSH	1435MS16H	1435S16H	6	9.50	6.25	3.00	5.38	10.00	5.21	8.75	10.50	6.56	9.81	6		
1435MSSK	1435SSK	1435MS16K	1435S16K	9	9.50	8.50	3.00	7.63	10.00	7.46	8.75	10.50	8.81	9.81	7		
1435MSSO	1435SSO	1435MS16O	1435S16O	12	11.75	8.50	3.00	7.63	12.25	7.46	11.00	12.75	8.81	12.06	8		

¹ Not Hinged

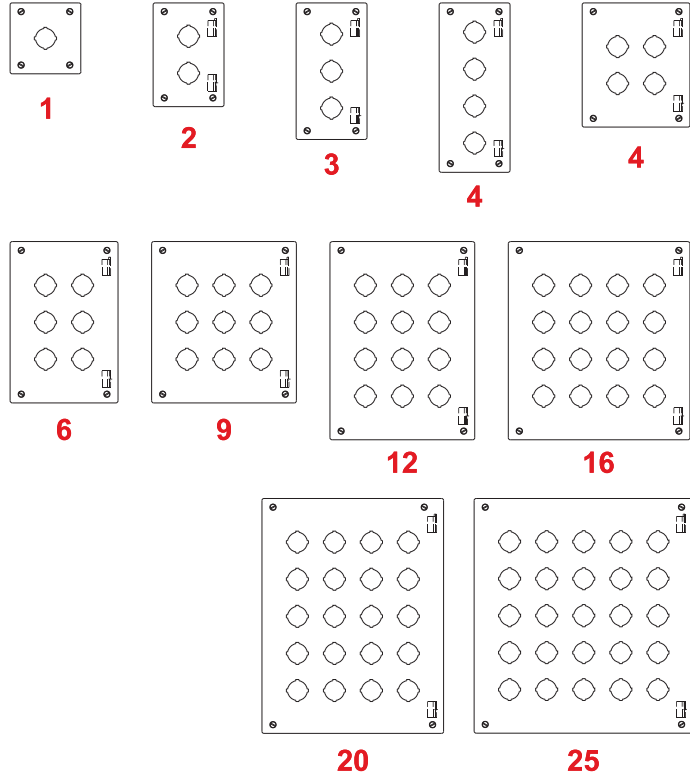
Technical references and CAD downloads available at www.hammondmfg.com All dimensions in inches unless specified otherwise

Quality Products. Service Excellence.

Pushbutton Enclosures - NEMA 12, 13

1437/ 1437M Extra Deep Series

Operator Interface Enclosure



Application

- Designed to accept standard heavy duty oil tight pushbuttons, switches and pilot lights.
- Provides protection from dirt, dust, oil and water.

Standards

- UL 508 Type 12 and 13
- CSA Enclosure 12 and 13
- **Complies with**
 - NEMA Type 12 and 13
 - IEC 60529, IP54
 - JIC STD EGP-1-1967
- Appropriate components are required to maintain these standards.

Construction

- Formed from 14 gauge steel except A which is 16 gauge.
- Smooth continuously welded seams.
- Welded brackets provide for enclosure mounting.
- Captive cover fasten into threaded, sealed wells.
- Larger enclosures provide internally hinged removable covers, designed to hold the cover open during wiring (see table).
- Oil resistant gasket and adhesive.
- A bonding stud is provided on the door and a grounding stud is provided on the enclosure.

Finish

- Cover and enclosure are phosphatized and finished in ANSI 61 gray powder coating.

Accessories

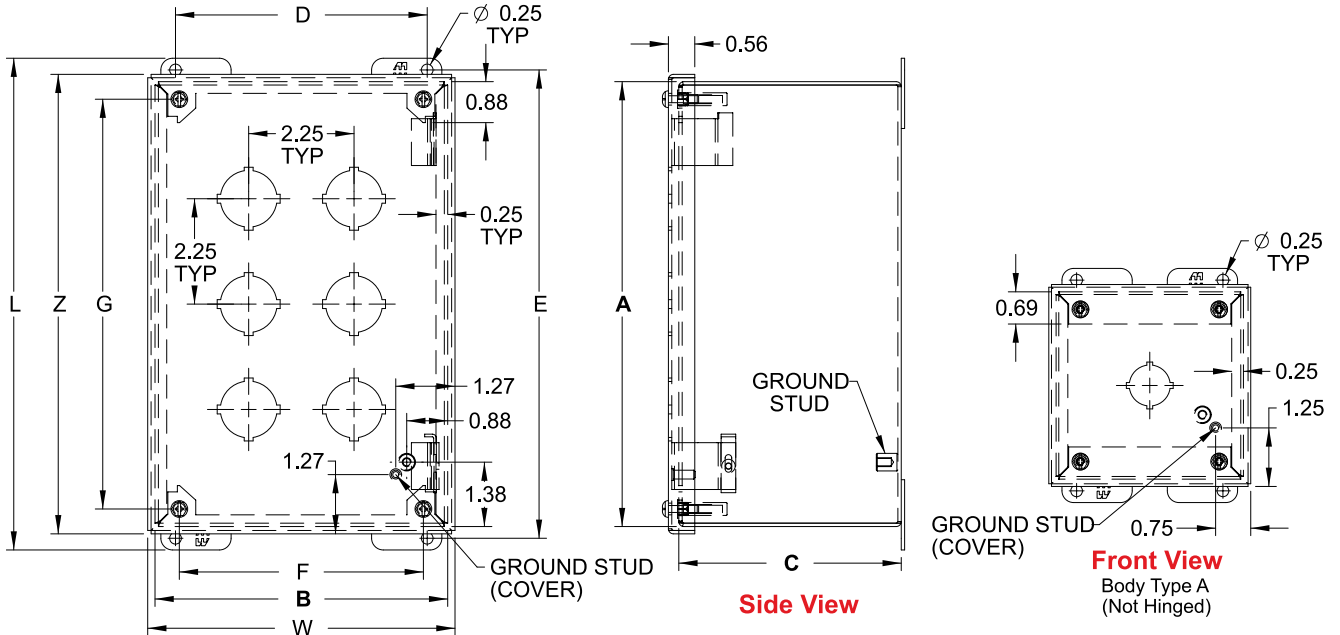
- Hole plugs...see page [435](#)
- Pedestals...see page [454](#)

Pushbutton Enclosures

Pushbutton Enclosures - NEMA 12, 13

1437/ 1437M Extra Deep Series

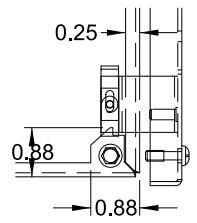
Operator Interface Enclosure



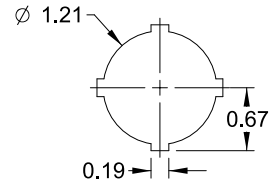
Front View
Body Type B through X
(Hinged)

Side View

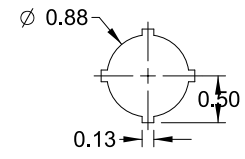
Front View
Body Type A
(Not Hinged)



Hinge Detail
Retractable pin allows door to be mounted on left or right side



30.5mm Detail
(1437 Series)



22.5mm Detail
(1437M Series)

Pushbutton Enclosures

Part No.		No. Of Holes	Overall Dimensions										Ship Wt. lbs.
30.5mm	22.5mm		A	B	C	D	E	F	G	L	W	Z	
1437A ¹	1437MA ¹	1	4.00	4.00	4.75	3.13	4.50	2.96	3.25	5.00	4.31	4.31	3
1437B	1437MB	2	6.00	4.00	4.75	3.13	6.50	2.96	5.25	7.00	4.31	6.31	4
1437C	1437MC	3	8.00	4.00	4.75	3.13	8.50	2.96	7.25	9.00	4.31	8.31	5
1437D	1437MD	4	10.00	4.00	4.75	3.13	10.5	2.96	9.25	11.00	4.31	10.31	5
1437F	1437MF	4	7.25	6.25	4.75	5.38	7.75	5.21	6.50	8.25	6.56	7.56	5
1437H	1437MH	6	9.50	6.25	4.75	5.38	10.00	5.21	8.75	10.50	6.56	9.81	5
1437K	1437MK	9	9.50	8.50	4.75	7.63	10.00	7.46	8.75	10.50	8.81	9.81	7
1437O	1437MO	12	11.75	8.50	4.75	7.63	12.25	7.46	11.00	12.75	8.81	12.06	8
1437S	1437MS	16	11.75	10.75	4.75	9.88	12.25	9.71	11.00	12.75	11.06	12.06	9
1437V	1437MV	20	14.00	10.75	4.75	9.88	14.50	9.71	13.25	15.00	11.06	14.31	11
1437X	1437MX	25	14.00	13.00	4.75	12.13	14.50	11.96	13.25	15.00	13.31	14.31	12

¹ Not Hinged

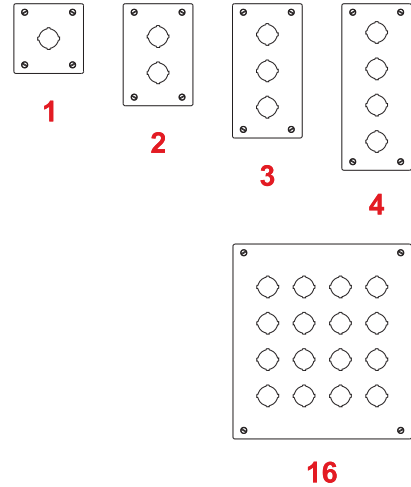
Technical references and CAD downloads available at www.hammondmfg.com All dimensions in inches unless specified otherwise

Quality Products. Service Excellence.

Pushbutton Enclosures - NEMA 4, 4X

1437 Stainless Steel Series

Operator Interface Enclosure



Pushbutton Enclosures

Application

- Designed to accept standard heavy duty oil tight pushbuttons, switches and pilot lights.
- Provides protection from dirt, dust, oil and water.

Standards

- UL 508 Type 4 and 4X
- CSA Enclosure 4 and 4X
- **Complies with**
 - NEMA Type 4 and 4X
 - IEC 60529, IP66
 - JIC STD EGP-1-1967
- Appropriate components are required to maintain these standards.

Construction

- Formed from 14 gauge steel except A which is 16 gauge.
- Smooth continuously welded seams.
- Welded brackets provide for enclosure mounting.
- Captive cover screws fasten into threaded, sealed wells.
- Larger enclosures provide internally hinged removable covers, designed to hold the cover open during wiring (see table).
- Oil resistant gasket and adhesive.
- A bonding stud is provided on the door and a grounding stud is provided on the enclosure.

Finish

- Natural stainless steel with a smooth brushed finish.

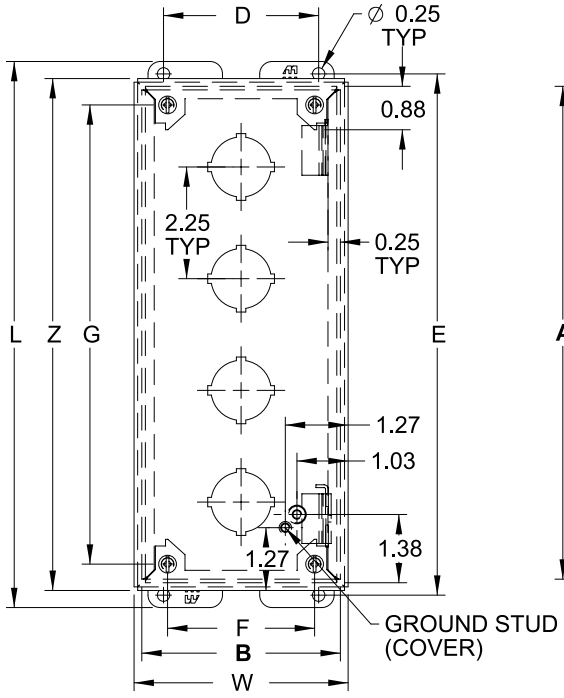
Accessories

- Hole plugs...see page 435
- Pedestals...see page 454

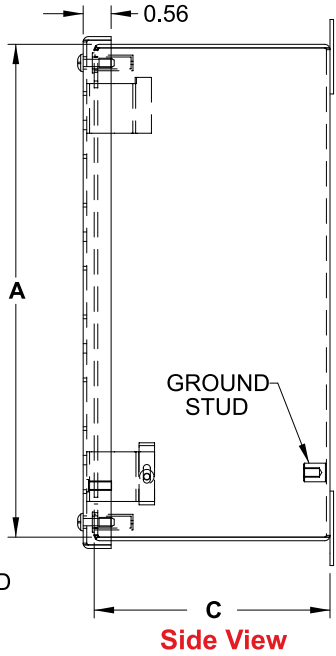
Pushbutton Enclosures - NEMA 4, 4X

1437 Stainless Steel Series

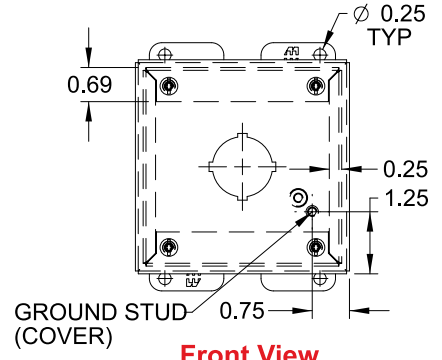
Operator Interface Enclosure



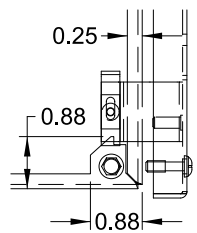
Front View
Body Type B through S
(Hinged)



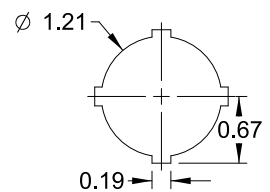
Side View



Front View
Body Type A
(Not Hinged)



Hinge Detail
Retractable pin allows door to be mounted on left or right side



22.5mm Detail
(1437M Series)

Pushbutton Enclosures

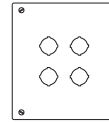
Part No.		No.	Overall Dimensions										Ship Wt.
304 SS 30.5mm	316 SS 30.5mm	Of Holes	A	B	C	D	E	F	G	L	W	Z	lbs.
1437SSA ¹	1437S16A ¹	1	4	4	4.75	3.13	4.5	2.96	3.25	5	4.31	4.31	3
1437SSB	1437S16B	2	6	4	4.75	3.13	6.5	2.96	5.25	7	4.31	6.31	4
1437SSC	1437S16C	3	8	4	4.75	3.13	8.5	2.96	7.25	9	4.31	8.31	5
1437SSD	1437S16D	4	10	4	4.75	3.13	10.5	2.96	9.25	11	4.31	10.31	5
1437SSS	1437S16S	16	11.75	10.75	4.75	9.88	12.25	9.71	11	12.75	11.06	12.06	10

¹ not hinged

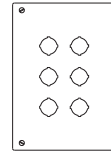
Pushbutton Enclosures - NEMA 12

1489/ 1489M Continuous Hinge Series

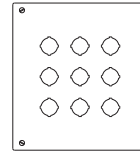
Operator Interface Enclosure



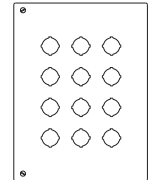
4



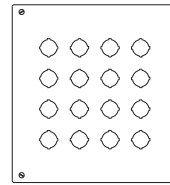
6



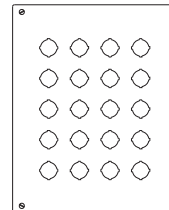
9



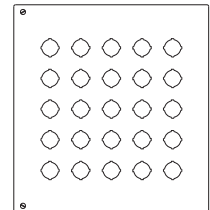
12



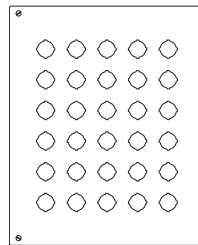
16



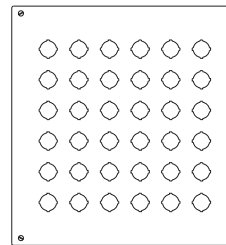
20



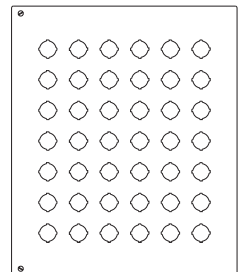
25



30



36



42

Pushbutton Enclosures

Application

- Designed to accept standard heavy duty oil tight pushbuttons, switches and pilot lights.
- Provides protection from dirt, dust, oil and water.

Standards

- UL 508 Type 12
- CSA Type 12
- JIC standard EGP-1-1967, EMP-1-1967
- **Complies with**
 - NEMA Type 12
 - IEC 60529, IP54
- Appropriate components are required to maintain these standards.

Construction

- Formed 14 gauge steel.
- Smooth continuously welded seams.
- Welded brackets provide for enclosure mounting.
- Continuously hinged cover is secured with captive, plated steel screws which fasten into threaded sealed wells.
- Oil resistant gasket and adhesive.
- Weldnuts are provided for mounting inner panels.
- A removable 14 gauge inner panel is included.
- A bonding stud is provided on the door and a grounding stud is provided in the enclosure.

Finish

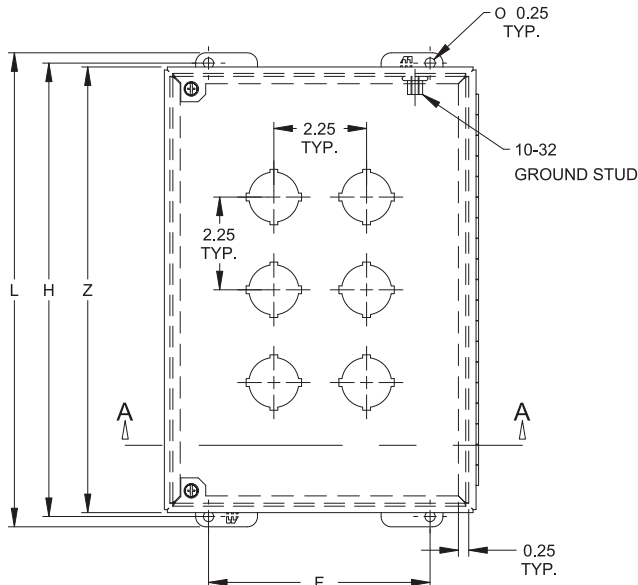
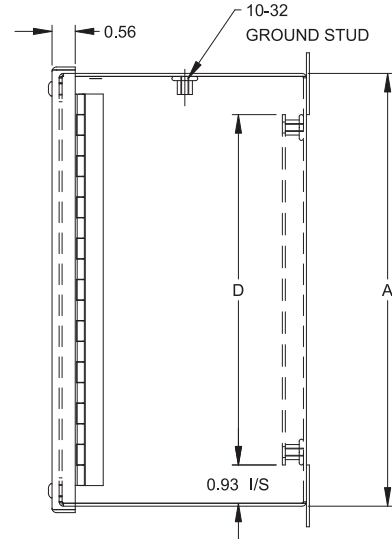
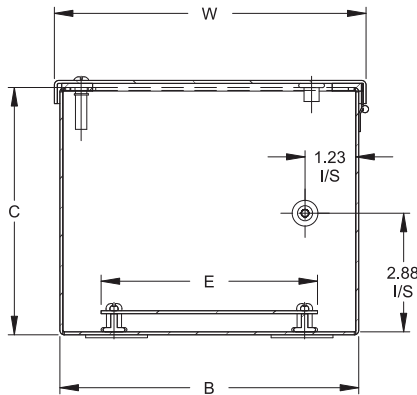
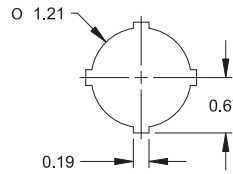
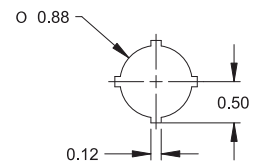
- Cover and enclosure are phosphatized and finished in ANSI 61 gray powder coating.
- Removable inner panel is finished in white powder coating.

Accessories

- Hole plugs...see page [435](#)
- Pedestals...see page [454](#)

Pushbutton Enclosures - NEMA 12

1489/ 1489M Continuous Hinge Series

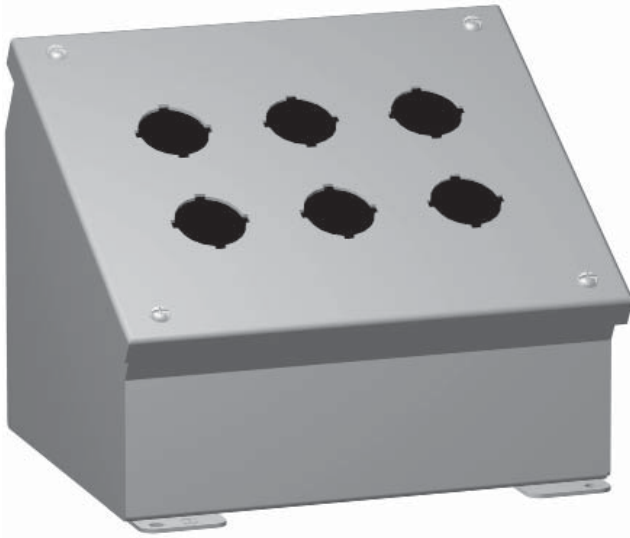
Operator Interface Enclosure
Pushbutton Enclosures

Front View

Side View

SECTION A-A

30.5mm Detail (1489 Series)

22.5mm Detail (1489M Series)

Part No.		No. Of Holes	Panel Size			Overall Dimensions				Ship Wt. Lbs.			
30.5mm Hole	22.5mm Hole		A	B	C	D	E	F	H		L	W	Z
1489P4	1489MP4	4	8.25	7.25	6	6.25	5.25	5.38	8.75	9.25	7.56	8.56	9
1489P6	1489MP6	6	10.5	7.25	6	8.5	5.25	5.38	11	11.5	7.56	10.81	11
1489P9	1489MP9	9	10.5	9.5	6	8.5	7.5	7.63	11	11.5	9.81	10.81	13
1489P12	1489MP12	12	12.75	9.5	6	10.75	7.5	7.63	13.25	13.75	9.81	13.06	15
1489P16	1489MP16	16	12.75	11.75	6	10.75	9.75	9.88	13.25	13.75	12.06	13.06	19
1489P20	1489MP20	20	15	11.75	6	13	9.75	9.88	15.5	16	12.06	15.31	21
1489P25	1489MP25	25	15	14	6	13	12	12.13	15.5	16	14.31	15.31	23
1489P30	1489MP30	30	17.25	14	6	15.25	12	12.13	17.75	18.25	14.31	17.56	28
1489P36	1489MP36	36	17.25	16.25	6	15.25	14.25	14.38	17.75	18.25	16.56	17.56	32
1489P42	1489MP42	42	19.5	16.25	6	17.5	14.25	14.38	20	20.5	16.56	19.81	29

Pushbutton Enclosures - NEMA 12, 13

1490/ 1490M Sloped Front Console Series

Operator Interface Enclosure



Application

- Designed to accept standard heavy duty oil tight pushbuttons, switches and pilot lights.
- Ideal for wall or surface mounting to provide the necessary control slope.
- Provides protection from dirt, dust, oil and water.

Standards

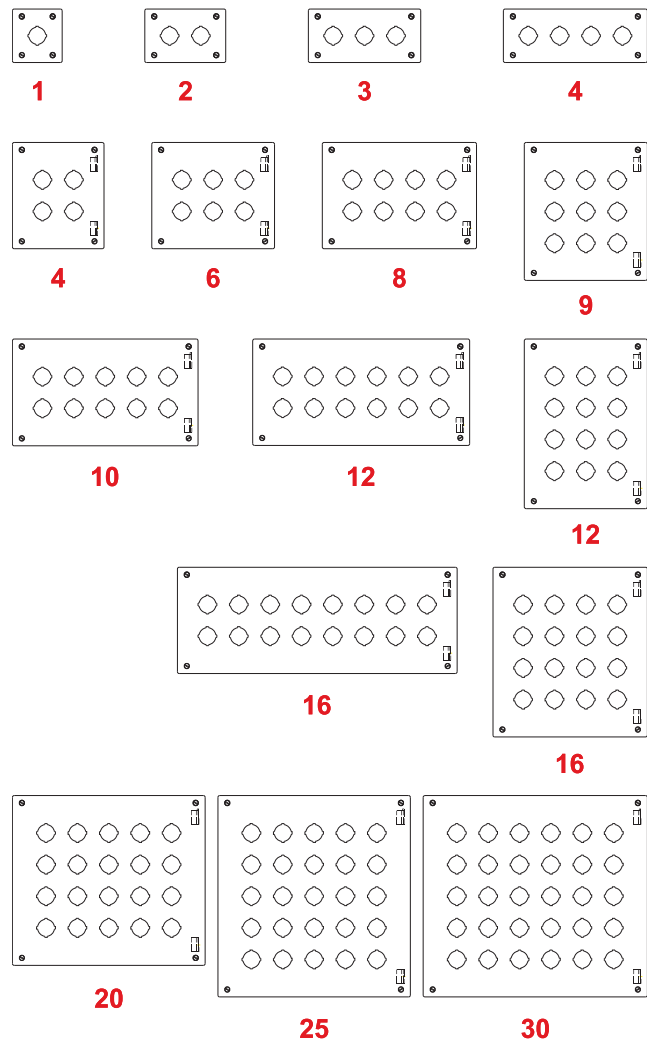
- UL 508 Type 12 and 13
- CSA Type 12 and 13
- JIC standard EGP-1-1967
- **Complies with**
 - NEMA Type 12 and 13
 - IEC 60529, IP54
- Appropriate components are required to maintain these standards.

Construction

- Formed 14 gauge steel.
- Smooth continuously welded seams.
- Construction provides either a 30° or 60° slope on front cover depending on mounting position.
- Welded brackets provide for enclosure mounting.
- Captive cover screws thread into sealed wells.
- Larger enclosures provide internally hinged removable covers designed to hold the cover open during wiring (as noted in table).
- Oil resistant gasket and adhesive.
- A bonding stud is provided on the door and a grounding stud is provided in the enclosure.

Finish

- Cover and enclosure are phosphatized and finished in ANSI 61 gray powder coating.



Accessories

- Hole plugs...see page 435
- Pedestals...see page 454

Technical references and CAD downloads available at www.hammondmfg.com

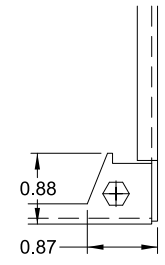
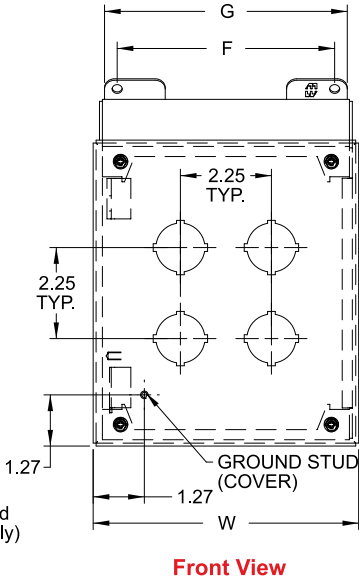
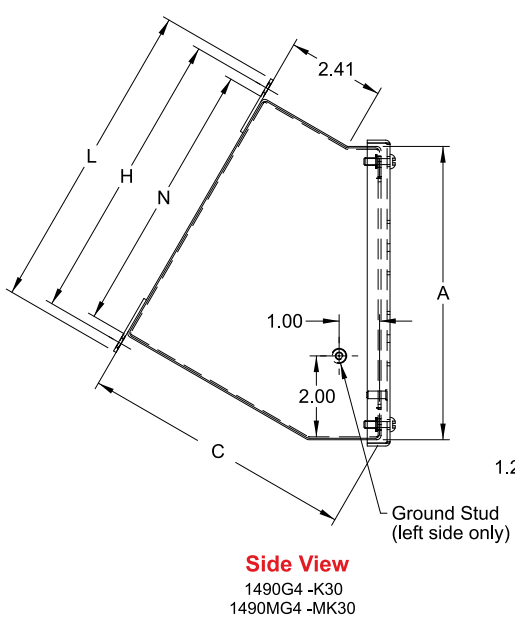
All dimensions in inches unless specified otherwise

Pushbutton Enclosures

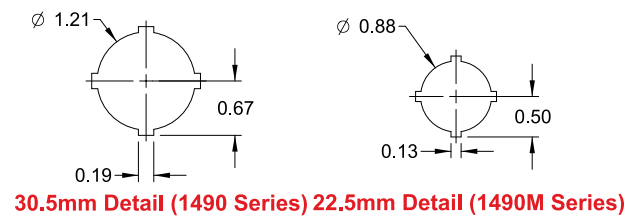
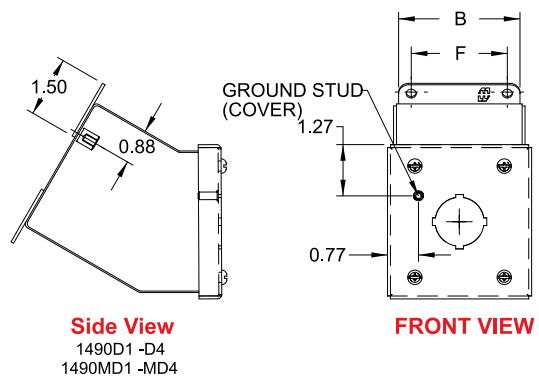
Pushbutton Enclosures - NEMA 12, 13

1490/ 1490M Sloped Front Console Series

Operator Interface Enclosure



Hinge Detail
Retractable pin allows door to be mount on left side or right side.



Pushbutton Enclosures

Part No.		No. Of Holes	A	B	C	F	G	H	L	N	W	Z	Ship Wt. lbs.
30.5mm Holes	22.5mm Holes												
1490D1 ¹	1490MD1 ¹	1	3.50	3.25	4.88	2.38	3.00	4.03	4.53	3.53	3.56	3.81	2
1490D2 ¹	1490MD2 ¹	2	3.50	5.50	4.88	4.63	5.25	1.03	4.53	3.53	5.81	3.81	3
1490D3 ¹	1490MD3 ¹	3	3.50	7.75	4.88	6.88	7.50	4.03	4.53	3.53	8.06	3.81	5
1490D4 ¹	1490MD4 ¹	4	3.50	10.00	4.88	9.13	8.75	4.03	4.53	3.53	10.31	3.81	6
1490G4	1490MG4	4	7.25	6.25	6.75	5.38	6.00	7.28	7.78	6.78	6.56	7.56	6
1490G6	1490MG6	6	7.25	8.50	6.75	7.63	8.25	7.28	7.78	6.78	8.81	7.56	7
1490G8	1490MG8	8	7.25	10.75	6.75	9.88	10.50	7.28	7.78	6.78	11.06	7.56	9
1490H9	1490MH9	9	9.50	8.50	7.88	7.63	8.25	9.25	9.75	8.75	8.81	9.81	9
1490G10	1490MG10	10	7.25	13.00	6.75	12.13	12.75	7.28	7.78	6.78	13.31	7.56	10
1490G12	1490MG12	12	7.25	15.25	6.75	14.38	15.00	7.28	7.78	6.78	15.56	7.56	11
1490J12	1490MJ12	12	11.75	8.50	9.00	7.63	8.25	11.19	11.69	10.69	8.81	12.06	13
1490G16	1490MG16	16	7.25	19.75	6.75	18.88	19.50	7.28	7.78	6.78	20.06	7.56	14
1490J16	1490MJ16	16	11.75	10.75	9.00	9.88	10.50	11.19	11.69	10.69	11.06	12.06	14
1490J20	1490MJ20	20	11.75	13.00	9.00	12.13	12.75	11.19	11.69	10.69	13.31	12.06	16
1490K25	1490MK25	25	14.00	13.00	10.13	12.13	12.75	13.13	13.63	12.63	13.31	14.31	17
1490K30	1490MK30	30	14.00	15.25	10.13	14.38	15.00	13.13	13.63	12.63	15.56	14.31	19

¹ Not hinged

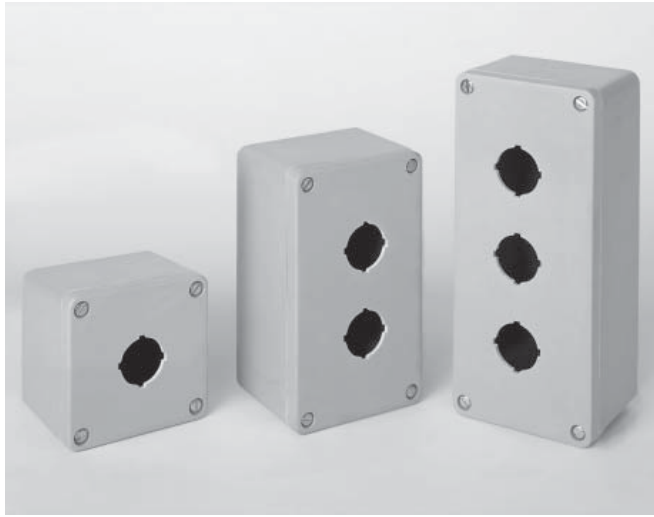
Technical references and CAD downloads available at www.hammondmfg.com All dimensions in inches unless specified otherwise

Quality Products. Service Excellence.

Polycarbonate Modular Enclosures - NEMA 4, 4X

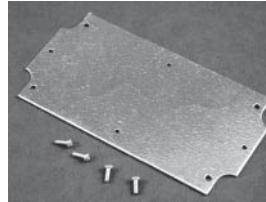
1554 Series - Pushbutton Lift-Off Cover Enclosures, 22 mm and 30.5 mm

Operator Interface Enclosure



Feet Kit

**Panel
Sold
Separately**



Optional Inner Panel

Standards

- cULus Type 4, 4X
- **Complies with**
 - NEMA 4, 4X, 12 and 13
 - IEC 60529, IP66
- Appropriate components are required to maintain these standards.

Construction

- Electronic instrument enclosures, designed for mounting printed circuit boards or DIN rail mounted components.
- The polycarbonate material carries a UL flammability rating of UL94 5V and is suitable for outdoor use.
- Lid and mounting holes are located outside of the gasket seal.
- Lid is secured with self capturing M4 stainless steel machine screws (included), threaded into integral stainless steel bushings (for repetitive assembly & disassembly).
- Heavy duty 16 gauge galvanized steel panels available (see chart)
- All stainless steel hardware to avoid corrosion caused by dissimilar metals.
- Gasket is factory poured using high temperature U.L. listed - silicone rubber gasket material.
- Gasketed lid with two piece "tongue & groove" construction provides protection against access of oil, dust and water.
- Internal DIN rail mounting tabs.
- Threaded (M3) integral brass inserts & standoffs designed for M3.5 or #6 self tapping screws for P.C. board or inner panel mounting in all but the smallest size.
- Vertical P.C. card guides (for 1.5 mm thick P.C. boards) are molded in all but the smallest size

Finish

- Color is light gray (RAL 7035)

Optional Inner Panel

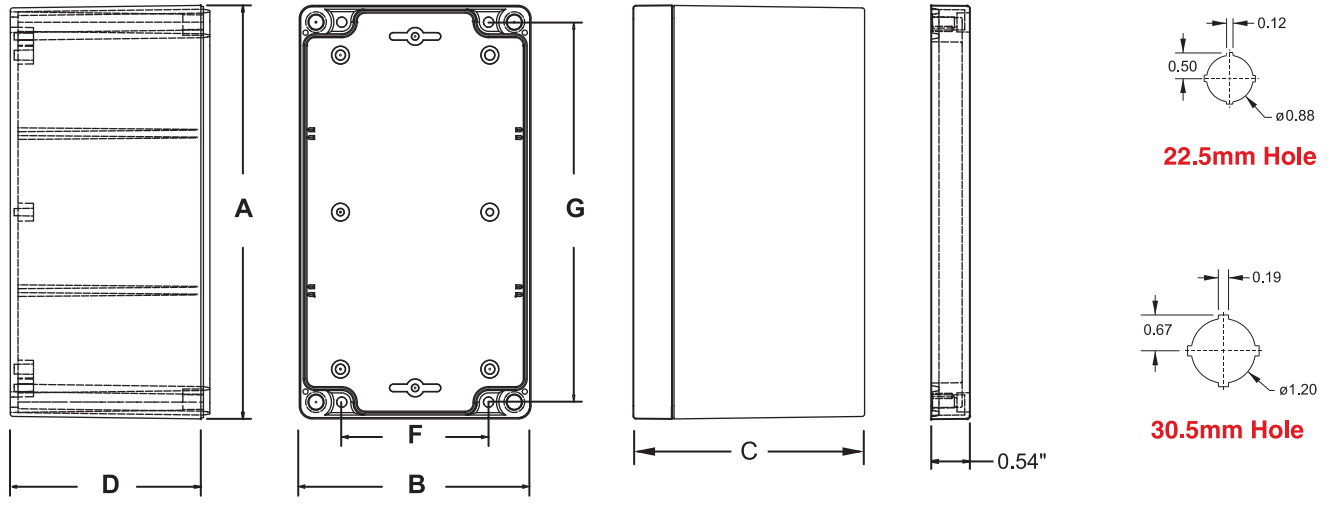
- Heavy duty panels for mounting components...*see next page*
- Galvanized 16 ga. steel.
- Includes mounting hardware.

Pushbutton Enclosures

Polycarbonate Modular Enclosures - NEMA 4, 4X

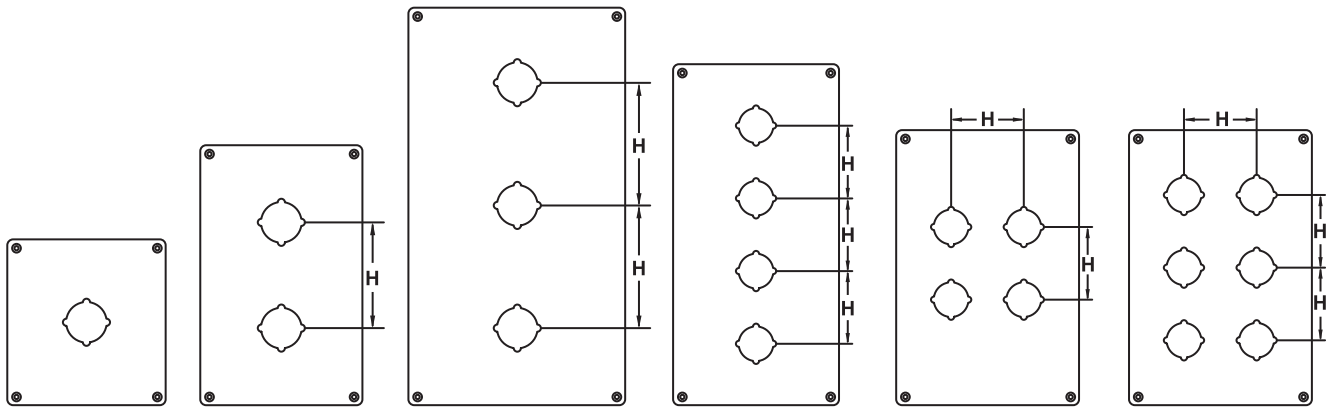
1554 Series - Pushbutton Lift-Off Cover Enclosures, 22 mm and 30.5 mm

Operator Interface Enclosure



Body View

Lid View



PB1 & MPB1

PB2 & MPB2

PB2 & MPB2

MPB4

PB4

PB6 & MPB6

Pushbutton Enclosures

Part No.		# of Holes	Units	Overall Depth							22 mm	30.5 mm	Optional Inner Panel Part No.	Units	Dimensions	
22 mm	30.5 mm			A	B	C	D	F	G	H	H	Length			Width	
1554MPB1	1554PB1	1	inch mm	3.5 90	3.5 90	2.4 60	1.77 45	2.24 57	2.24 57	Center Center	Center Center	1554EPL	inch mm	3.1 79	3.1 79	
1554MPB2	1554PB2	2	inch mm	6.3 160	3.5 90	2.4 60	1.77 45	2.24 57	5.79 147	1.89 48	2.52 64	1554JPL	inch mm	5.8 147	3 76	
1554MPB3	1554PB3	3	inch mm	7.9 200	4.7 120	3.5 90	2.95 75	3.43 87	7.37 187	1.89 48	2.52 64	1554UPL	inch mm	7.6 193	4.2 107	
1554MPB4	1554PB4	4	inch mm	7.9 200	4.7 120	3.5 90	2.95 75	3.43 87	7.37 187	1.89 48	2.52 64	1554UPL	inch mm	7.6 193	4.2 107	
1554MPB6	1554PB6	6	inch mm	9.5 240	6.3 160	3.5 90	2.95 75	5 127	8.93 227	1.89 48	2.52 64	1554VPL	inch mm	9.1 231	5.7 145	

Technical references and CAD downloads available at www.hammondmfg.com

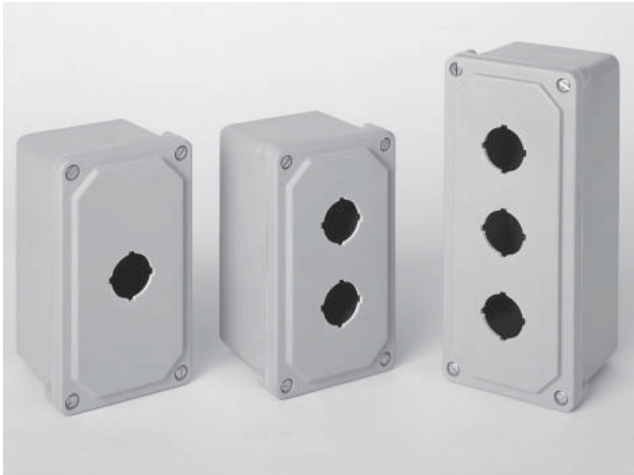
All dimensions in inches unless specified otherwise

Quality Products. Service Excellence.

Polyester Modular Enclosures - NEMA 4, 4X

PJ Series - Solid Cover & Inline Pushbutton Enclosures, 22 mm and 30.5 mm

Operator Interface Enclosure



Application

- Designed for use as instrument enclosures, electric, hydraulic or pneumatic control housings, electrical junction boxes or terminal wiring enclosures.
- Provides outstanding insulation and protection where equipment may be hosed down or be very wet.
- Ideal in applications with high temperatures or highly corrosive environments.

Standards

- UL 508 Type 1, 2, 3, 4, 4X, 12 and 13
- CSA Type 1, 2, 3, 4, 4X, 12 and 13
- **Complies with**
 - NEMA Type 1, 2, 3, 4, 4X, 12 and 13
 - IEC 60529, IP66

Construction

- Molded fiberglass polyester enclosure with matching cover is easily punched, cut, or drilled.
- Standard JIC sizes under 18" x 16".
- Threaded brass inserts are provided for optional inner panel.
- Cover is fastened with captive stainless steel screws in threaded brass inserts.
- Captive oil resistant gasket provides a positive seal.
- Mounting through rear holes on enclosure. Use #8 x 1 inch screw (not included).
- Enhanced UV inhibitors protect against outdoor weathering.
- Solid cover series available with and without mounting feet.
- Operating temperatures between 130°C and -40°C (266°F to -40°F).
- Impact index of 6.78J (5 ft/lb).
- For corrosion resistance information, please refer to table in Technical Information.

Finish

- Fiberglass polyester material has a gray finish.
- Optional steel inner panel is available in white powder coated finish.

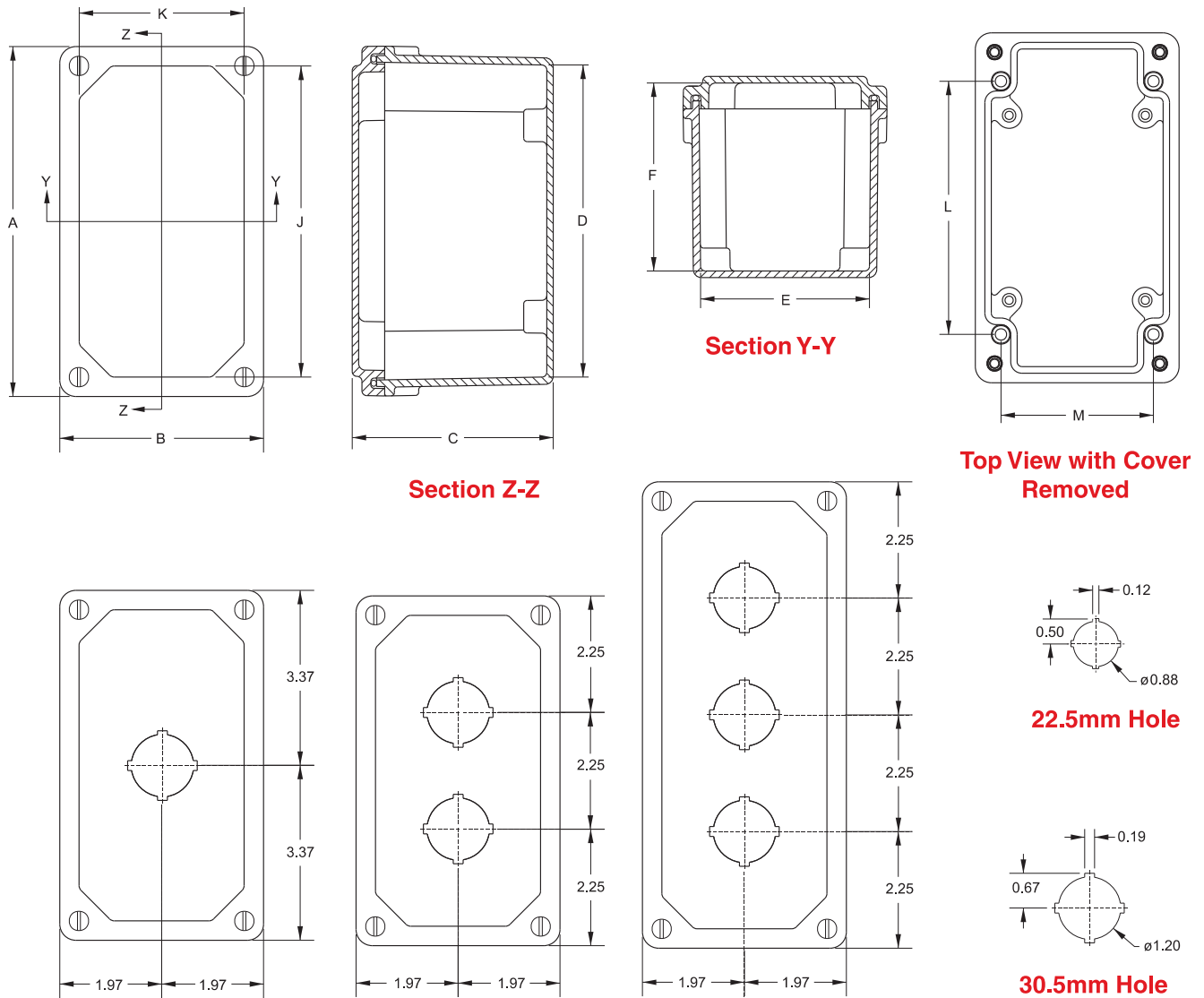
Pushbutton Enclosures

Polyester Modular Enclosures - NEMA 4, 4X

PJ Series - Solid Cover & Inline Pushbutton Enclosures, 22 mm and 30.5 mm

Operator Interface Enclosure

Pushbutton Enclosures



Pushbutton Series

Hole Placement

Part No.	Overall Dimensions			Inside Dimensions							# of Holes	Hole Size
	A	B	C	D	E	F	J	K	L	M		
PJ744P1	6.74	3.93	3.88	6.01	3.26	3.63	5.99	3.18	4.88	2.94	1	30.5
PJ744P221	6.74	3.93	3.88	6.01	3.26	3.63	5.99	3.18	4.88	2.94	1	22.5
PJ744P2	6.74	3.93	3.88	6.01	3.26	3.63	5.99	3.18	4.88	2.94	2	30.5
PJ744P222	6.74	3.93	3.88	6.01	3.26	3.63	5.99	3.18	4.88	2.94	2	22.5
PJ944P3	8.99	3.93	3.88	8.26	3.26	3.63	8.24	3.18	7.13	2.94	3	30.5
PJ944P223	8.99	3.93	3.88	8.26	3.26	3.63	8.24	3.18	7.13	2.94	3	22.5

Solid Cover Series

Part No.	Mounting Feet	Overall Dimensions			Inside Dimensions							Optional Steel Inner Panel	Inner Panel Dimensions
		A	B	C	D	E	F	J	K	L	M		
PJ744	Yes	6.74	3.93	3.88	6.01	3.26	3.63	5.99	3.18	4.88	2.94	PJP74	4 x 3.13
PJ744FS	No	6.74	3.93	3.88	6.01	3.26	3.63	5.99	3.18	4.88	2.94	PJP74	4 x 3.13
PJ944	Yes	8.99	3.93	3.88	8.26	3.26	3.63	8.24	3.18	7.13	2.94	PJP94	6.25 x 3.13
PJ944FS	No	8.99	3.93	3.88	8.26	3.26	3.63	8.24	3.18	7.13	2.94	PJP94	6.25 x 3.13

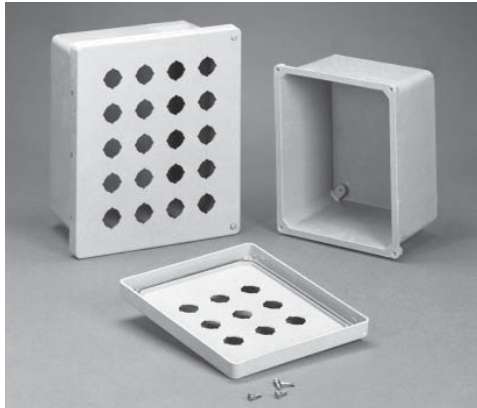
Technical references and CAD downloads available at www.hammondmfg.com

All dimensions in inches unless specified otherwise

Quality Products. Service Excellence.

Polyester Modular Enclosures - NEMA 4X

PJ Series - Pushbutton Lift Off and Hinged Screw Cover 30.5mm



**Panel
Sold
Separately**



Application

- Designed for use as instrument enclosures, electric, hydraulic or pneumatic control housings, electrical junction boxes or terminal wiring enclosures.
- Provides outstanding insulation and protection where equipment may be hosed down or be very wet.
- Ideal in applications with high temperatures or highly corrosive environments.

Standards

- UL 508 Type 1, 2, 3, 4, 4X, 12 and 13
- CSA Type 1, 2, 3, 4, 4X, 12 and 13
- **Complies with**
 - NEMA Type 1, 2, 3, 4, 4X, 12 and 13
 - IEC 60529, IP66

Construction

- Molded fiberglass polyester enclosure with matching cover is easily punched, cut, or drilled.
- Standard JIC sizes under 18" x 16".
- Threaded brass inserts are provided for optional inner panel or terminal kit mounting.
- Cover is fastened with captive stainless steel screws in threaded brass inserts.
- Captive oil resistant gasket provides a positive seal.
- Threaded brass inserts are provided for mounting feet to the rear of the enclosure.
- Stainless steel mounting brackets and hardware are provided for mounting to the rear of the enclosure.
- Enhanced UV inhibitors protect against outdoor weathering.
- Operating temperatures between 130°C and -40°C (266°F to -40°F).
- Impact index of 6.78J (5 ft/lb).
- For corrosion resistance information, please refer to table in Technical Information.

Finish

- Fiberglass polyester material has a gray finish.
- Optional inner panels are available in white powder coated finished steel or unfinished aluminum.

Accessories

- Painted steel inner panels
...see page **436**
- Unfinished aluminum inner panels
...see page **436**
- Galvanized Panels...see page **436**
- Terminal kit assemblies...see page **441**

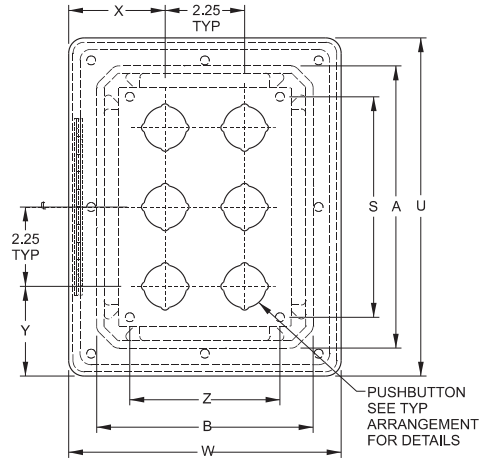
Lift Off Cover Part No.	Hinged Cover Part No.	Overall Dimensions			Panel Size				Center			
		A	B	C	D	E	F	G	H	J	S	Z
PJ664P4	PJ664HP4	6.10	6.10	4.18	4.88	4.88	3.76	5.01	5.01	3.52	4.25	4.25
PJ864P6	PJ864HP6	8.00	6.12	4.13	6.75	4.88	3.68	6.89	5.01	3.47	6.25	4.25
PJ1084P9	PJ1084HP9	10.13	8.26	4.13	8.75	6.88	3.68	8.89	7.01	5.47	8.25	6.25
PJ1086P9	PJ1086HP9	10.13	8.26	6.13	8.75	6.88	5.68	8.89	7.01	5.47	8.25	6.25
PJ1086P12	PJ1086HP12	10.13	8.26	6.13	8.75	6.88	5.68	8.89	7.01	5.47	8.25	6.25
PJ12106P16	PJ12106HP16	12.13	10.26	6.13	10.75	8.88	5.68	10.89	9.01	5.47	10.25	8.25
PJ12106P20	PJ12106HP20	12.13	10.26	6.13	10.75	8.88	5.68	10.89	9.01	5.47	10.25	8.25
PJ14126P25	PJ14126HP25	14.13	12.26	6.13	12.75	10.88	5.68	12.89	11.01	5.47	12.25	10.25
PJ16148P30	PJ16148HP30	16.27	14.40	8.13	14.75	12.88	7.68	14.89	13.01	7.47	14.25	12.25
PJ18168P42	PJ18168HP42	18.40	16.40	8.13	16.88	14.88	7.68	16.97	14.97	7.47	16.25	14.25

¹ For aluminum panel...see page **380**.

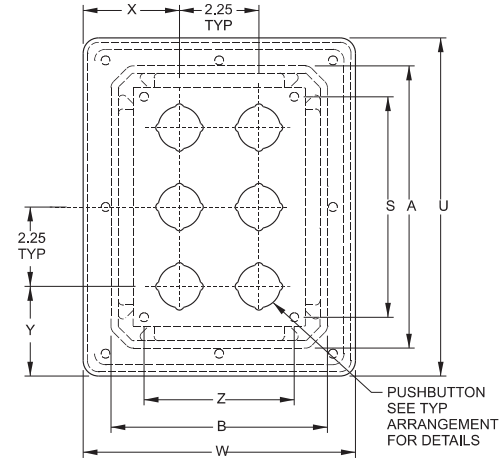
Polyester Modular Enclosures - NEMA 4X

PJ Series - Pushbutton Lift Off and Hinged Screw Cover 30.5mm

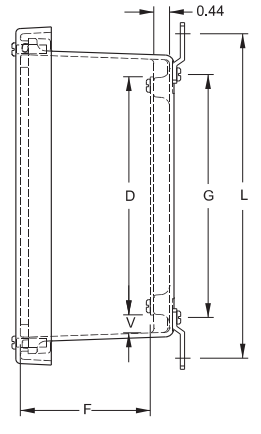
Operator Interface Enclosure



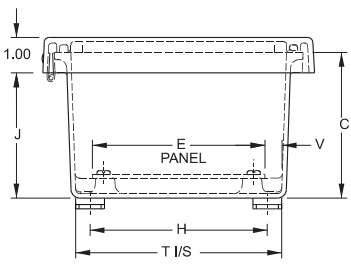
Top View
Hinged Screw Cover



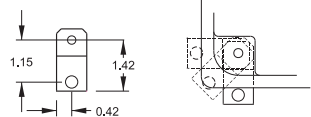
Top View
Lift Off Screw Cover



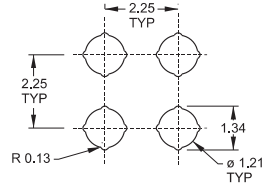
Side View



Front View

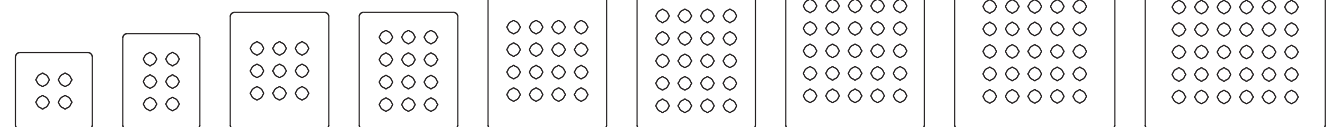


Optional Mounting Feet Locations



Typical Pushbutton Arrangement

Thermal Index
130°C to -40°C
(266°F to -40°F)
Impact Index
6.78J (5 ft/lb)



- PJ664P4
PJ664HP4
- PJ864P6
PJ864HP6
- PJ1086P9
PJ1086HP9
- PJ1086P12
PJ1086HP12
- PJ12106P16
PJ12106HP16
- PJ12106P20
PJ12106HP20
- PJ14126P25
PJ14126HP25
- PJ16148P30
PJ16148HP30
- PJ18168P42
PJ18168HP42

Pushbutton Enclosures

Lift Off Cover Part No.	Hinged Cover Part No.	Optional L	T	V	U	W	Steel Panel Part No. ¹	No. Holes	X	Y	Ship Wt. Lbs.
PJ664P4	PJ664HP4	7.32	5.83	0.49	7.69	7.69	14R0505	4	2.72	2.72	4
PJ864P6	PJ864HP6	9.19	5.85	0.50	9.59	7.71	14R0705	6	2.73	2.55	4
PJ1084P9	PJ1084HP9	11.19	7.85	0.50	11.77	9.90	14R0907	9	2.68	3.62	6
PJ1086P9	PJ1086HP9	11.19	7.85	0.50	11.77	9.90	14R0907	9	2.68	3.62	6
PJ1086P12	PJ1086HP12	11.19	7.85	0.50	11.77	9.90	14R0907	12	2.68	2.49	6
PJ12106P16	PJ12106HP16	13.19	9.85	0.50	13.77	11.90	14R1109	16	2.55	3.49	8
PJ12106P20	PJ12106HP20	13.19	9.85	0.50	13.77	11.90	14R1109	20	2.55	2.37	8
PJ14126P25	PJ14126HP25	15.19	11.85	0.50	15.73	13.85	14R1311	25	2.43	3.37	11
PJ16148P30	PJ16148HP30	17.19	13.71	0.50	17.87	15.99	14R1513	30	3.50	3.31	12
PJ18168P42	PJ18168HP42	19.28	15.72	0.50	20.00	18.00	P1868	42	3.38	3.25	17

¹ For aluminum panel...see page 380.

Technical references and CAD downloads available at www.hammondmfg.com All dimensions in inches unless specified otherwise

Quality Products. Service Excellence.

Wireway & Trough



Wireway & Trough



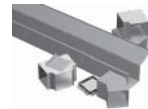
1485 Series Lay-In Wireway -
NEMA 12 273



1486 Series Wiring Trough -
NEMA 12 281



1487 Series Pull Through Wireway -
NEMA 12 283



Lay In Wireway -
Screw Cover and Hinge Cover
NEMA 1 289



C3RWT Series Wiring Trough -
NEMA 3R..... 295

Wireway & Trough

1485 Series Lay-In Wireway - NEMA 12



Wireway & Trough

Application

- Designed to enclose and protect electrical wiring from dirt, dust, oil and water.
- All sections and fittings are completely open on each side to allow wires and cables to be placed into the wireway without “pulling through”.

Standards

- UL 870 Type 1 (unless marked1)
- CSA Type 1 (unless marked1)
- Complies with
 - NEMA Type 12
 - JIC EMP-1-1967
 - JIC EGP-1-1967
 - IEC 60529, IP54

Construction

- Bodies and covers are formed from 14-gauge steel with 10 gauge steel flanges.
- 12" x 6" size has a 12 gauge steel body with a 14-gauge cover.
- Smooth continuously welded seams.
- Interior surfaces are smooth to prevent wire damage during installation.
- Butt hinged cover is secured with easily operated quick release clamps.
- Oil resistant gaskets are permanently secured.
- Solid oil resistant gaskets are used between flanges when sections and fittings are bolted together.
- One gasket kit, complete with hardware is provided with each straight section or fitting.
- Sealing plate is supplied.
- Flange junctions are sealed with gasket sealing plates, which are put in place after wiring is completed. One is supplied with all straight sections and most fittings; see table for exact number.

Finish

- Sections and components are finished in ANSI 61 gray powder coating.

Notes

- When joining a wireway section or fitting to an enclosure be sure to order a box connector.
- When joining two wireway sections, or joining a wireway section to a fitting, a flat sealing plate is required at each junction; necessary kits are supplied with each section and fitting. See table, extra kits may be ordered if necessary.
- When joining a lay-in wireway section or fitting to a closure plate, a box connector, or cut-off fitting, an angle sealing plate is required at each junction.
- Necessary kits are supplied with each section and fitting - see table. Extra kits, although not normally required, are necessary when joining lay-in wireway to a non-lay-in section or fitting section.

Lay-In Wireway

1485 Series Lay-In Wireway - NEMA 12

Wireway & Trough

Lay-In Wireway

Description	Sealing Plates Supplied	2.5 x 2.5 Part No.	4 x 4 Part No.	6 x 6 Part No.	8 x 8 Part No.	12 x 6 Part No.
6" Section	1 Flat	1485B6	1485C6	1485D6	1485E6	1485F6
12" Section	1 Flat	1485B12	1485C12	1485D12	1485E12	1485F12
24" Section	1 Flat	1485B24	1485C24	1485D24	1485E24	1485F24
36" Section	1 Flat	1485B36	1485C36	1485D36	1485E36	1485F36
48" Section	1 Flat	1485B48	1485C48	1485D48	1485E48	1485F48
60" Section	1 Flat	1485B60	1485C60	1485D60	1485E60	1485F60
120" Section	1 Flat	1485B120	1485C120	1485D120	1485E120	1485F120
60" Long Partition (Barrier)	—	—	1487CB60 ¹	1487DB60 ¹	1487EB60 ¹	1487DB60 ¹
1" Nipple	1 Flat	1485BM1	1485CM1	1485DM1	—	—
2" Nipple	1 Flat	1485BM2	1485CM2	1485DM2	—	—
3" Nipple	1 Flat	1485BM3	1485CM3	1485DM3	—	—
Box Entry Swivel Nipple	1 Angle	1485BV1	1485CV1	1485DV1	1485EV1	—
Standard Swivel Nipple	2 Angle	1485BV2	1485CV2	1485DV2	1485EV2	—
12" Transposition Clockwise	1 Flat	1485BZ12	1485CZ12	1485DZ12	1485EZ12	—
12" Transposition Counter-Clockwise	1 Flat	1485BZC12	1485CZC12	1485DZC12	1485EZC12	—
Flexible Fitting	None	1485BFF	1485CFF	1485DFF	1485EFF	—
Adjustable Fitting	1 Spec.	1485BX ¹	1485CX ¹	1485DX ¹	1485EX ¹	1485FX ¹
Cut-Off Fitting Lay-In	1 Flat	1485BW1 ¹	1485CW1 ¹	1485DW1 ¹	1485EW1 ¹	1485FW1 ¹
Cut-Off Fitting Non Lay-In	1 Angle	1485BW2 ¹	1485CW2 ¹	1485DW2 ¹	1485EW2 ¹	1485FW2 ¹
90° Elbow, Top Opening	1 Flat	1485B9N	1485C9N	1485D9N	1485E9N	1485F9N
90° Elbow, Inside Opening	1 Flat	1485B9P	1485C9P	1485D9P	1485E9P	1485F9P
90° Elbow, Outside Opening	1 Flat	1485B9Q	1485C9Q	1485D9Q	1485E9Q	1485F9Q
45° Elbow, Top Opening	1 Flat	1485B4N	1485C4N	1485D4N	1485E4N	1485F4N
45° Elbow, Inside Opening	1 Flat	1485B4P	1485C4P	1485D4P	1485E4P	—
45° Elbow, Outside Opening	1 Flat	1485B4Q	1485C4Q	1485D4Q	1485E4Q	—
Tee Fitting, Top Opening	2 Flat	1485BTN	1485CTN	1485DTN	1485ETN	1485FTN
Tee Fitting, Outside & Top Opening	2 Flat	1485BTQ	1485CTQ	1485DTQ	1485ETQ	—
Cross Fitting	3 Flat	1485BY	1485CY	1485DY	1485EY	1485FY
Reducer 4 x 4 to 2.5 x 2.5	None	—	1485CRE	—	—	—
Reducer 6 x 6 to 4 x 4	None	—	—	1485DRE	—	—
Reducer 8 x 8 to 6 x 6	None	—	—	—	1485ERE	—
Reducer 12 x 6 to 4 x 4	None	—	—	—	—	1485FREC
Reducer 12 x 6 to 6 x 6	None	—	—	—	—	1485FRED
Junction Box	1 Flat	1485BJ	1485CJ	1485DJ	1485EJ	—
Box Connector	1 Angle	1485BK ¹	1485CK ¹	1485DK ¹	1485EK ¹	1485FK ¹
Drop Hanger	None	1485BL1 ¹	1485CL1 ¹	1485DL1 ¹	1485EL1 ¹	—
Bracket Hanger	None	1485BL2 ¹	1485CL2 ¹	1485DL2 ¹	1485EL2 ¹	—
Cover Plate	1 Angle	1485BH ²	1485CH ²	1485DH ²	1485EH ²	1485FH ²
Snap On Flat Sealing Plate	None	1485BSM ²	1485CSM ²	1485DSM ²	1485ESM ²	1485FSM ²
Angle Sealing Plate	None	1485BS9 ²	1485CS9 ²	1485DS9 ²	1485ES9 ²	1485FS9 ²

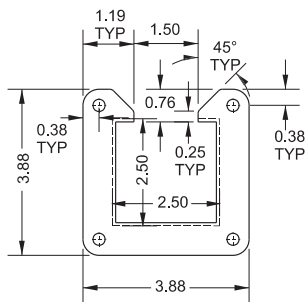
¹ Does not meet CSA or UL requirements

² Maintains ratings on CSA and UL approved wireway

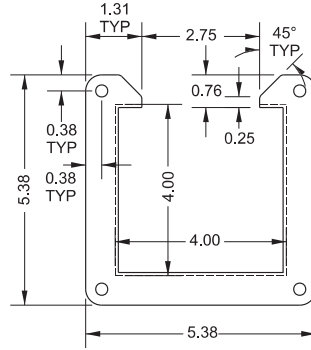
1485 Series Lay-In Wireway - NEMA 12

Wireway & Trough

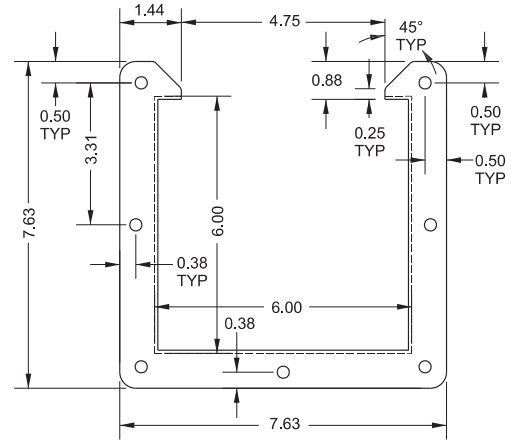
Lay-In Wireway



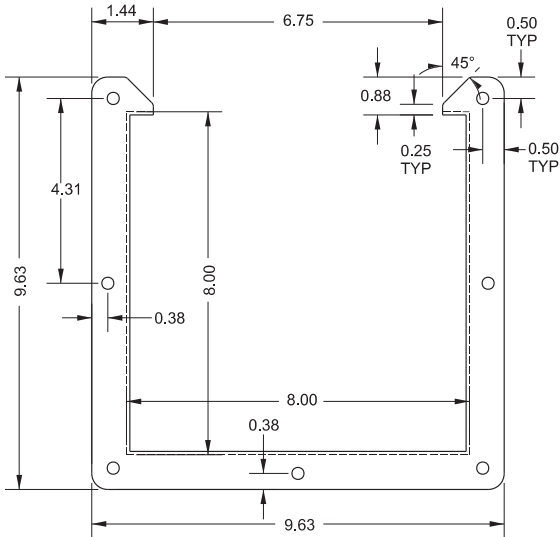
2.5 x 2.5



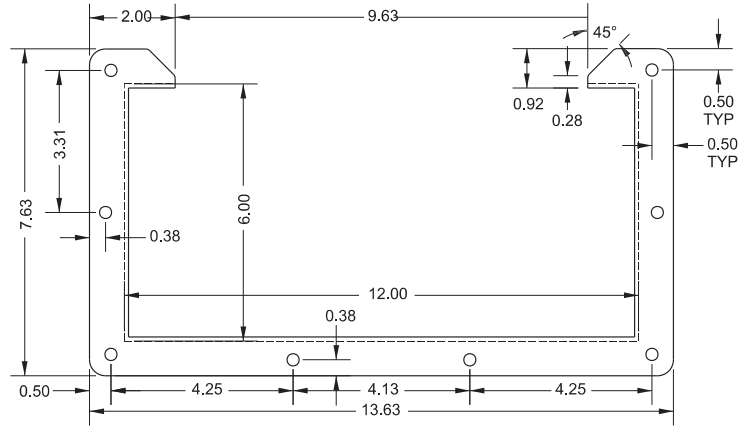
4 x 4



6 x 6



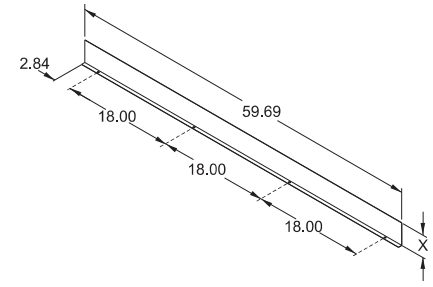
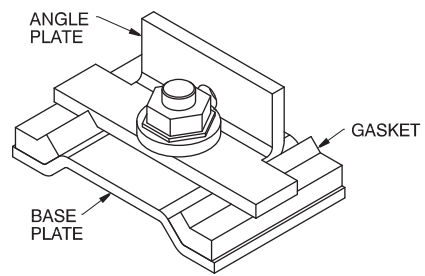
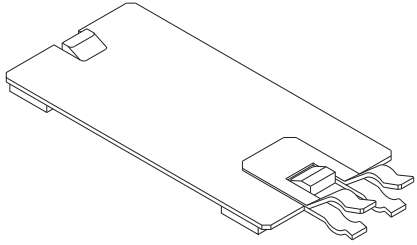
8 x 8



12 x 6

All unmarked diameters are 0.28
All unmarked radii are 0.38

1485 Series Lay-In Wireway - NEMA 12



Snap On Flat Sealing Plate

Part No.	Size
1485BSM	2.5 x 2.5
1485CSM	4 x 4
1485DSM	6 x 6
1485ESM	8 x 8
1485FSM	12 x 6

Maintains ratings on CSA and UL approved wireway

Angle Sealing Plate

Part No.	Size
1485BS9	2.5 x 2.5
1485CS9	4 x 4
1485DS9	6 x 6
1485ES9	8 x 8
1485FS9	12 x 6

Maintains ratings on CSA and UL approved wireway

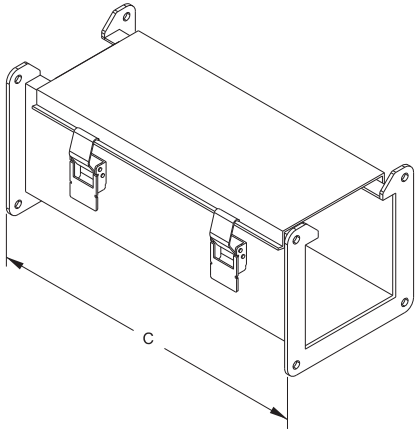
Partition (Barrier) Kit

- Divides wireway into two or more compartments. Barriers are fastened to wireway sections with screws.

Part No.	Size	X
1487CB60	4 x 4	3.72
1487DB60	6 x 6	5.72
1487EB60	8 x 8	7.72
1487DB60	12 x 6	5.72

Does not meet CSA or UL requirements

Wireway & Trough

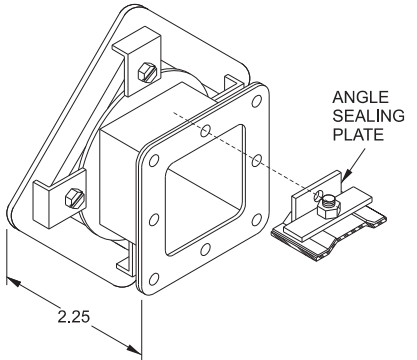


Typical Straight Section

C=6" Section	C=12" Section	C=24" Section	C=36" Section	C=48" Section	C=60" Section	C=120" Section	Size
Part No.	Part No.	Part No.	Part No.	Part No.	Part No.	Part No.	
1485B6	1485B12	1485B24	1485B36	1485B48	1485B60	1485B120	2.5 x 2.5
1485C6	1485C12	1485C24	1485C36	1485C48	1485C60	1485C120	4 x 4
1485D6	1485D12	1485D24	1485D36	1485D48	1485D60	1485D120	6 x 6
1485E6	1485E12	1485E24	1485E36	1485E48	1485E60	1485E120	8 x 8
1485F6	1485F12	1485F24	1485F36	1485F48	1485F60	1485F120	12 x 6

One flat sealing plate included

Lay-In Wireway



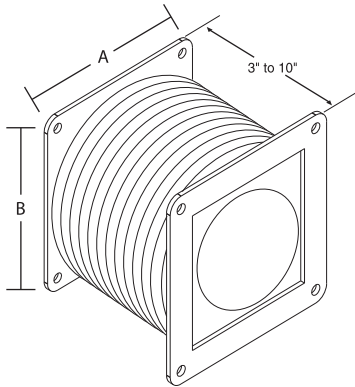
Box Entry or Standard Swivel Nipple

Box Entry Swivel Nipple Part No.	Standard Swivel Nipple Part No.	Size
1485BV1 ¹	1485BV2 ²	2.5 x 2.5
1485CV1 ¹	1485CV2 ²	4 x 4
1485DV1 ¹	1485DV2 ²	6 x 6
1485EV1 ¹	1485EV2 ²	8 x 8

¹One angle sealing plate included

²Two angle sealing plates included

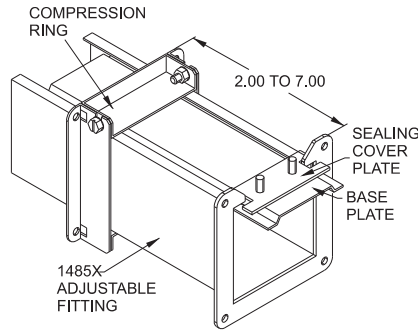
1485 Series Lay-In Wireway - NEMA 12

Wireway & Trough


Flexible Fitting

- Allows for easy alignment of sections or fittings
- Metal flanges
- Flexible synthetic "bellows" middle section

Part No.	A	B
1485BFF	2.5	2.5
1485CFF	4	4
1485DFF	6	6
1485EFF	8	8

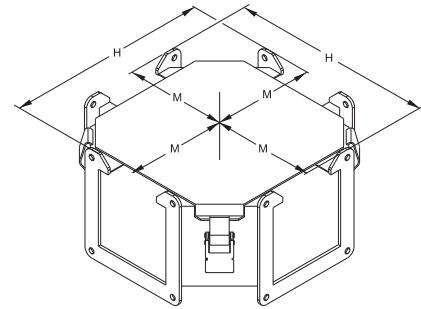


Adjustable Fitting

- Allows on site length adjustment of 2" to 7"

Part No.	Size
1485BX	2.5 x 2.5
1485CX	4 x 4
1485DX	6 x 6
1485EX	8 x 8
1485FX	12 x 6

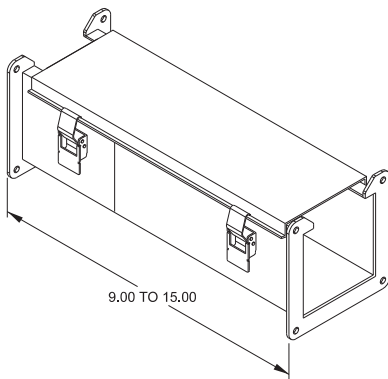
One special sealing plate included
Does not meet CSA or UL requirements



Cross Fitting

Part No.	Size	H	M
1485BY	2.5 x 2.5	8.50	4.25
1485CY	4 x 4	10.00	5.00
1485DY	6 x 6	12.00	6.00
1485EY	8 x 8	14.00	7.00
1485FY	12 x 6	18.00	9.00

Three flat sealing plates included

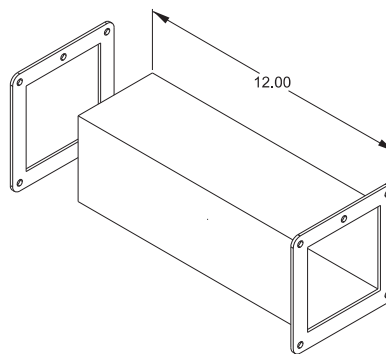
Lay-In Wireway


Cut-Off Fitting (Lay-In)

- Body comes in two pieces. Cut-off one piece, shorten cover, and weld together.
- Includes angle sealing plate.

Part No.	Size
1485BW1	2.5 x 2.5
1485CW1	4 x 4
1485DW1	6 x 6
1485EW1	8 x 8
1485FW1	12 x 6

One flat sealing plate included
Does not meet CSA or UL requirements

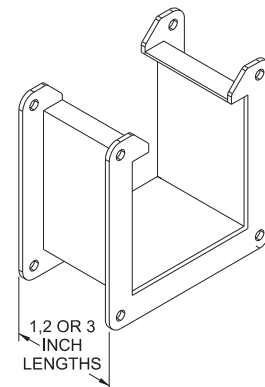


Cut-Off Fitting (Non Lay-in)

- For lengths up to 12". Cut off body and weld on flange.

Part No.	Size
1485BW2	2.5 x 2.5
1485CW2	4 x 4
1485DW2	6 x 6
1485EW2	8 x 8
1485FW2	12 x 6

One angle sealing plate included
Does not meet CSA or UL requirements



Typical Nipple

- Lay-in nipples come with a special sealing plate which cannot be used adjacent to swivel nipples (use 1487 Series nipples)

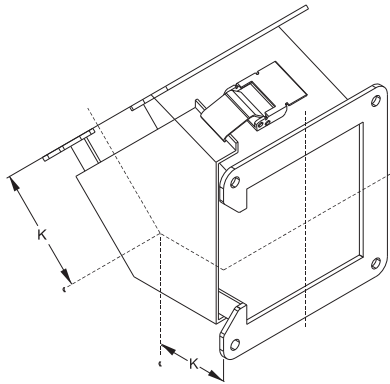
1" Nipple Part No.	2" Nipple Part No.	3" Nipple Part No.	Size
1485BM1	1485BM2	1485BM3	2.5 x 2.5
1485CM1	1485CM2	1485CM3	4 x 4
1485DM1	1485DM2	1485DM3	6 x 6

One flat sealing plate included

1485 Series Lay-In Wireway - NEMA 12

Wireway & Trough

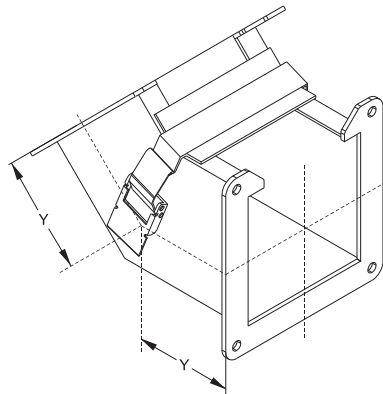
Lay-In Wireway



**45° Elbow
Top Opening**

Part No.	Size	K
1485B4N	2.5 x 2.5	2.28
1485C4N	4 x 4	2.60
1485D4N	6 x 6	3.00
1485E4N	8 x 8	3.41
1485F4N	12 x 6	4.24

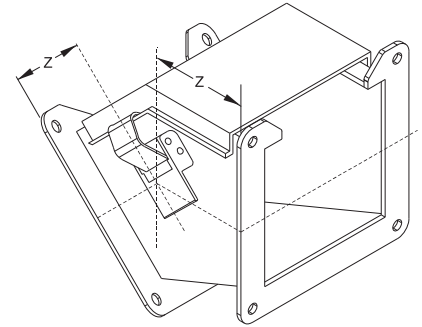
One flat sealing plate included



**45° Elbow
Inside Opening**

Part No.	Size	Y
1485B4P	2.5 x 2.5	2.28
1485C4P	4 x 4	2.59
1485D4P	6 x 6	3.00
1485E4P	8 x 8	3.41

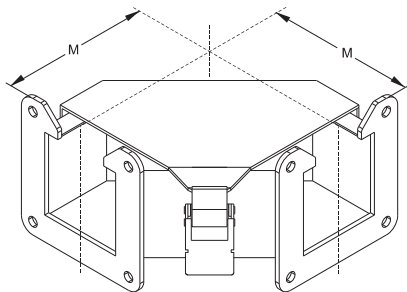
One flat sealing plate included



**45° Elbow
Outside Opening**

Part No.	Size	Z
1485B4Q	2.5 x 2.5	2.29
1485C4Q	4 x 4	2.61
1485D4Q	6 x 6	3.02
1485E4Q	8 x 8	3.44

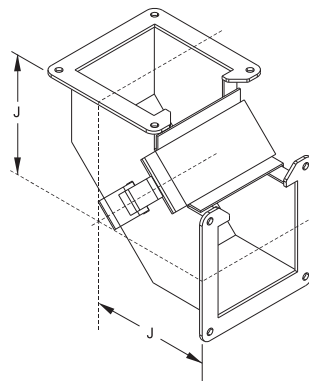
One flat sealing plate included



**90° Elbow
Top Opening**

Part No.	Size	M
1485B9N	2.5 x 2.5	4.25
1485C9N	4 x 4	5.00
1485D9N	6 x 6	6.00
1485E9N	8 x 8	7.00
1485F9N	12 x 6	9.00

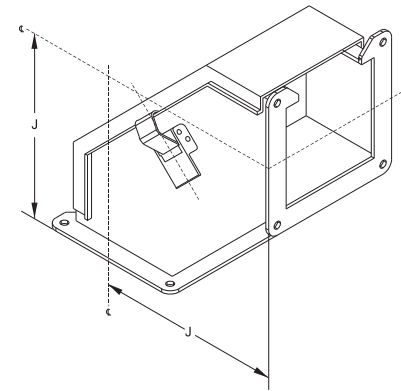
One flat sealing plate included



**90° Elbow
Inside Opening**

Part No.	Size	J
1485B9P	2.5 x 2.5	4.25
1485C9P	4 x 4	5.00
1485D9P	6 x 6	6.00
1485E9P	8 x 8	7.00
1485F9P	12 x 6	6.00

One flat sealing plate included

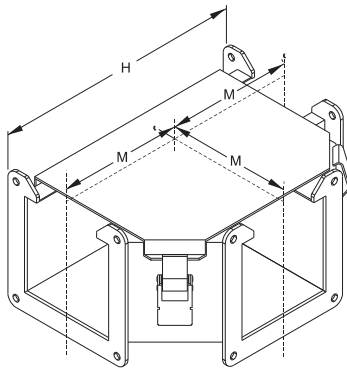


**90° Elbow
Outside Opening**

Part No.	Size	J
1485B9Q	2.5 x 2.5	4.25
1485C9Q	4 x 4	5.00
1485D9Q	6 x 6	6.00
1485E9Q	8 x 8	7.00
1485F9Q	12 x 6	6.00

One flat sealing plate included

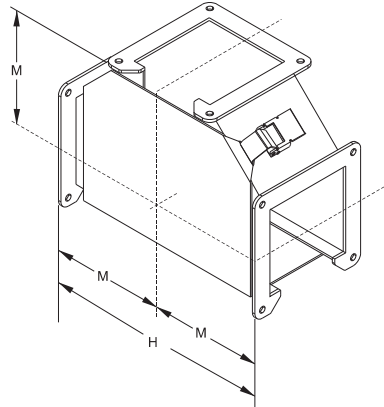
1485 Series Lay-In Wireway - NEMA 12

Wireway & Trough


Tee Fitting Top Opening

Part No.	Size	H	M
1485BTN	2.5 x 2.5	8.50	4.25
1485CTN	4 x 4	10.00	5.00
1485DTN	6 x 6	12.00	6.00
1485ETN	8 x 8	14.00	7.00
1485FTN	12 x 6	18.00	9.00

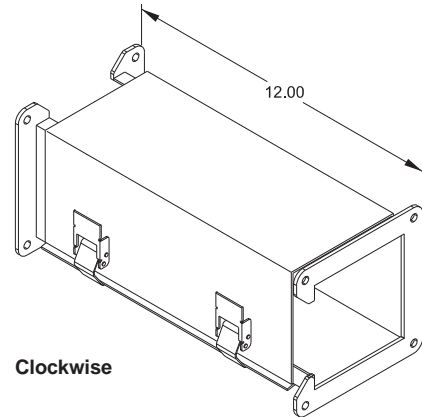
Two flat sealing plates included



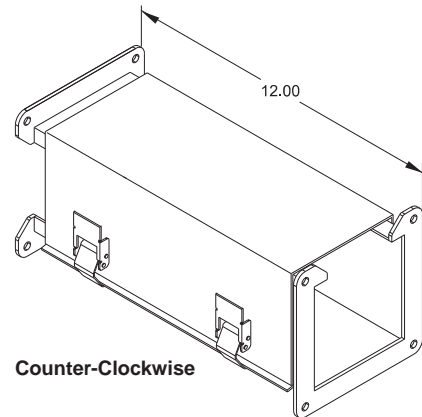
Tee Fitting Outside and Top Opening

Part No.	Size	H	M
1485BTQ	2.5 x 2.5	8.50	4.25
1485CTQ	4 x 4	10.00	5.00
1485DTQ	6 x 6	12.00	6.00
1485ETQ	8 x 8	14.00	7.00

Two flat sealing plates included



Clockwise



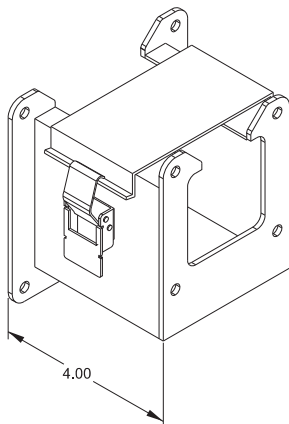
Counter-Clockwise

12" Transposition Sections Clockwise & Counter-Clockwise

- Used to rotate the open side of a wireway run by 90° and maintain the lay-in feature

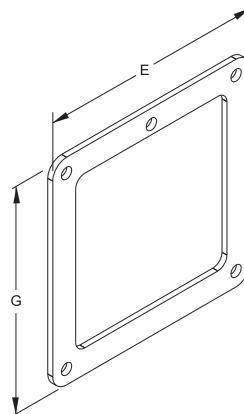
Clockwise Part No.	Counter-Clockwise Part No.	Size
1485BZ12	1485BZC12	2.5 x 2.5
1485CZ12	1485CZC12	4 x 4
1485DZ12	1485DZC12	6 x 6
1485EZ12	1485EZC12	8 x 8

One flat sealing plate included

Lay-In Wireway


Reducers

Part No.	Reduces from	to
1485CRE	4 x 4	2.5 x 2.5
1485DRE	6 x 6	4 x 4
1485ERE	8 x 8	6 x 6
1485FREC	12 x 6	4 x 4
1485FRED	12 x 6	6 x 6



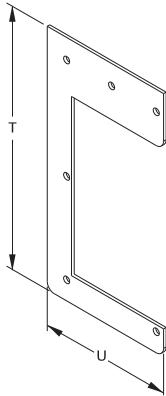
Box Connector

- Use inside box when entering with "Lay-In" Wireway.

Part No.	Size	E	G
1485BK	2.5 x 2.5	3.87	3.87
1485CK	4 x 4	5.37	5.37
1485DK	6 x 6	7.62	7.62
1485EK	8 x 8	9.62	9.62
1485FK	12 x 6	13.62	7.62

One angled sealing plate included

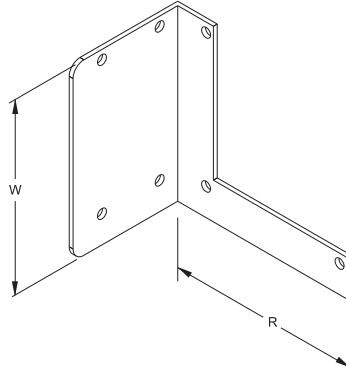
1485 Series Lay-In Wireway - NEMA 12



Drop Hanger

Part No.	Size	T	U
1485BL1	2.5 x 2.5	9.25	4.50
1485CL1	4 x 4	11.75	6.00
1485DL1	6 x 6	15.25	8.12
1485EL1	8 x 8	20.56	12.12

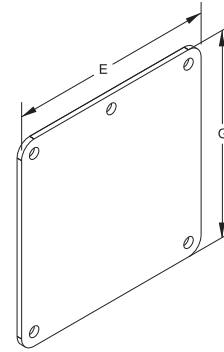
Does not meet CSA or UL requirements



Bracket Hanger

Part No.	Size	R	W
1485BL2	2.5 x 2.5	4.62	4.37
1485CL2	4 x 4	6.12	5.87
1485DL2	6 x 6	8.25	7.87
1485EL2	8 x 8	10.25	9.87

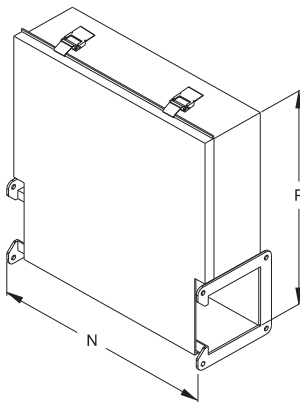
Does not meet CSA or UL requirements



Cover Plate

Part No.	Size	E	G
1485BH	2.5 x 2.5	3.87	3.87
1485CH	4 x 4	5.37	5.37
1485DH	6 x 6	7.62	7.62
1485EH	8 x 8	9.62	9.62
1485FH	12 x 6	13.62	7.62

One angled sealing plate included
Maintains ratings on CSA and UL
approved wireway



Junction Box

- Includes inner panel.

Part No.	Size	N	P	Panel Size
1485BJ	2.5 x 2.5	12.00	10.25	8.75 x 6.87
1485CJ	4 x 4	14.00	13.87	10.75 x 8.87
1485DJ	6 x 6	16.00	17.87	12.75 x 10.87
1485EJ	8 x 8	18.00	21.87	14.75 x 12.87

One flat sealing plate included

Wireway & Trough

Lay-In Wireway

1486 Series Wiring Trough - NEMA 12



Wireway & Trough

Application

- Designed to enclose and protect multiple wiring junctions from dirt, dust, oil and water.

Standards

- UL 870 Type 1
- CSA Type 1
- **Complies with**
 - NEMA Type 12
 - JIC EGP-1-1967
 - JIC EMP-1-1967
 - IEC 60529, IP54

Construction

- Formed 14 gauge steel.
- Smooth continuously welded seams.
- Butt hinged cover is secured with easily operated screw clamps.
- Oil resistant gaskets are permanently secured.
- 12 gauge external mounting feet are welded to the back.

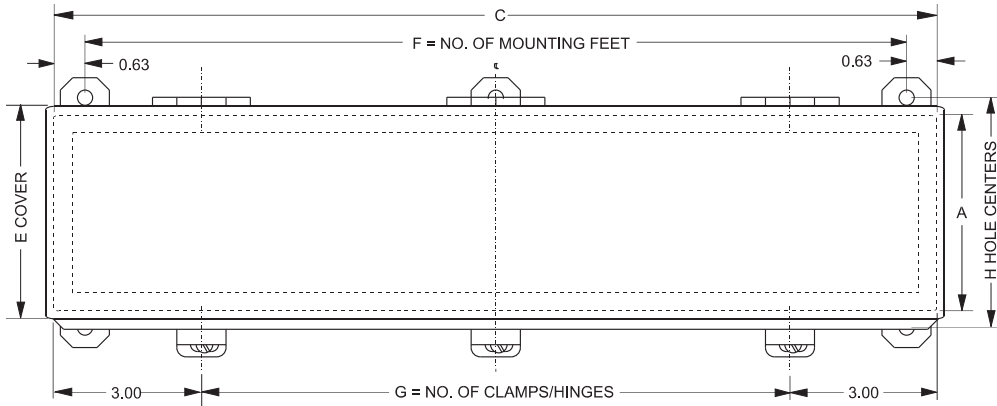
Finish

- Troughs and covers are finished in ANSI 61 gray powder coating.

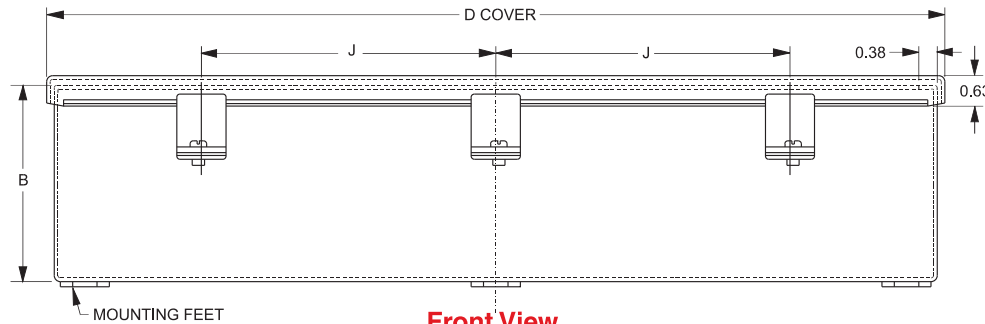
Wiring Trough

1486 Series Wiring Trough - NEMA 12

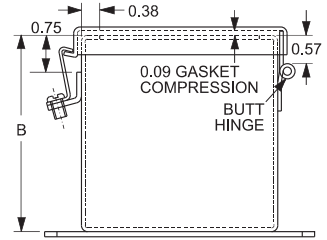
Wireway & Trough



Top View



Front View



End View

Part No.	Length		Cover Size			F	G	H	J	Ship Wt. lbs.
	A	B	C	D	E					
1486B12	2.5	2.5	12	12.31	2.84	2	2	3.19	6.00	3
1486B18	2.5	2.5	18	18.31	2.84	2	2	3.19	12.00	5
1486B24	2.5	2.5	24	24.31	2.84	2	3	3.19	9.00	6
1486B30	2.5	2.5	30	30.31	2.84	2	3	3.19	12.00	9
1486B36	2.5	2.5	36	36.31	2.84	2	3	3.19	15.00	10
1486B48	2.5	2.5	48	48.31	2.84	2	3	3.19	21.00	13
1486B60	2.5	2.5	60	60.31	2.84	3	4	3.19	18.00	16
1486B72	2.5	2.5	72	72.31	2.84	3	4	3.19	22.00	19
1486C12	4.0	4.0	12	12.31	4.34	2	2	4.69	6.00	6
1486C18	4.0	4.0	18	18.31	4.34	2	2	4.69	12.00	8
1486C24	4.0	4.0	24	24.31	4.34	2	3	4.69	9.00	10
1486C30	4.0	4.0	30	30.31	4.34	2	3	4.69	12.00	13
1486C36	4.0	4.0	36	36.31	4.34	2	3	4.69	15.00	16
1486C48	4.0	4.0	48	48.31	4.34	2	3	4.69	21.00	20
1486C60	4.0	4.0	60	60.31	4.34	3	4	4.69	18.00	25
1486C72	4.0	4.0	72	72.31	4.34	3	4	4.69	22.00	30
1486D12	6.0	6.0	12	12.31	6.34	2	2	6.69	6.00	9
1486D18	6.0	6.0	18	18.31	6.34	2	2	6.69	12.00	16
1486D24	6.0	6.0	24	24.31	6.34	2	3	6.69	9.00	16
1486D30	6.0	6.0	30	30.31	6.34	2	3	6.69	12.00	19
1486D36	6.0	6.0	36	36.31	6.34	2	3	6.69	15.00	23
1486D48	6.0	6.0	48	48.31	6.34	2	3	6.69	21.00	29
1486D60	6.0	6.0	60	60.31	6.34	3	4	6.69	18.00	32
1486D72	6.0	6.0	72	72.31	6.34	3	4	6.69	22.00	43

Wiring Trough

Technical references and CAD downloads available at www.hammondmfg.com

All dimensions in inches unless specified otherwise

Quality Products. Service Excellence.

1487 Series Pull Through Wireway - NEMA 12



Wireway & Trough

Application

- Designed to enclose and protect electrical wiring from dirt, dust, oil and water.
- Ideal for connecting machines to control panels or power sources.

Standards

- UL 870 Type 1 (unless marked¹)
- CSA Type 1 (unless marked¹)
- **Complies with**
 - NEMA Type 12
 - JIC EMP-1-1967
 - JIC EGP-1-1967
 - IEC 60529, IP54

Construction

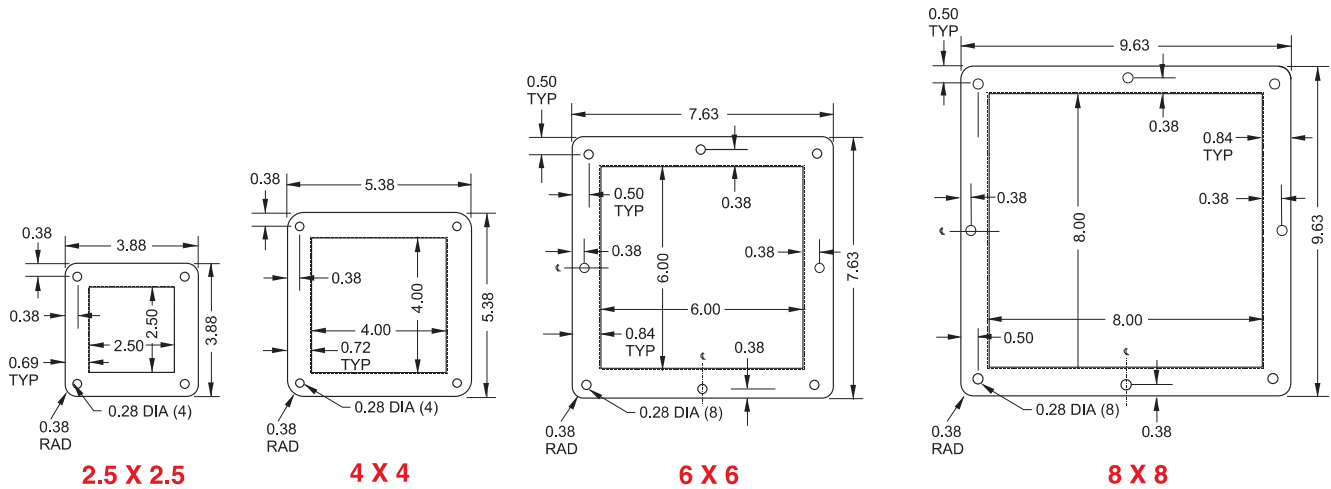
- Bodies and covers are formed from 14 gauge steel with 10 gauge steel flanges.
- Smooth continuously welded seams.
- Interior surfaces are smooth to prevent wire damage during installation.
- Butt hinged covers are secured with easily operated screw clamps.
- Oil resistant gaskets are permanently secured.
- Solid oil resistant gaskets are used between flanges when sections and fittings are bolted together.
- One gasket kit, complete with hardware is provided with each straight section or fitting.

Finish

- Sections and fittings are finished in ANSI 61 gray.

Pull Through Wireway

1487 Series Pull Through Wireway - NEMA 12



Wireway & Trough

Pull Through Wireway

Description	2.5 x 2.5 Part No.	4 x 4 Part No.	6 x 6 Part No.	8 x 8 Part No.
12" Section	1487B12	1487C12	1487D12	1487E12
24" Section	1487B24	1487C24	1487D24	1487E24
36" Section	1487B36	1487C36	1487D36	1487E36
48" Section	1487B48	1487C48	1487D48	1487E48
60" Section	1487B60	1487C60	1487D60	1487E60
120" Section	1487B120	1487C120	1487D120	1487E120
60" Long Partition (Barrier)	—	1487CB60 ¹	1487DB60 ¹	1487EB60 ¹
1" Nipple	1487BM1	1487CM1	1487DM1	1487EM1
2" Nipple	1487BM2	1487CM2	1487DM2	1487EM2
3" Nipple	1487BM3	1487CM3	1487DM3	1487EM3
6" Nipple	1487BM6	1487CM6	1487DM6	1487EM6
Box Entry Swivel Nipple	1487BV1	1487CV1	1487DV1	1487EV1
Standard Swivel Nipple	1487BV2	1487CV2	1487DV2	1487EV2
Flexible Fitting	1485BFF ¹	1485CFF ¹	1485DFF ¹	1485EFF ¹
Adjustable Fitting	1487BX ¹	1487CX ¹	1487DX ¹	1487EX ¹
Cut-Off Fitting	1487BW ¹	1487CW ¹	1487DW ¹	1487EW ¹
90° Elbow	1487B9P	1487C9P	1487D9P	1487E9P
45° Elbow	1487B4P	1487C4P	1487D4P	1487E4P
22.5° Elbow	1487B2P	1487C2P	1487D2P	1487E2P
Tee Fitting	1487BT	1487CT	1487DT	1487ET
Cross Fitting	1487BY	1487CY	1487DY	1487EY
Center Hole Reducers				
Reducer - 4 x 4 to 2.5 x 2.5	—	1487CRC ²	—	—
Reducer - 6 x 6 to 4 x 4	—	—	1487DRC ²	—
Reducer - 8 x 8 to 4 x 4	—	—	—	1487ERCC ²
Reducer - 8 x 8 to 6 x 6	—	—	—	1487ERCD ²
Edge Hole Reducers				
Reducer 4 x 4 to 2.5 x 2.5	—	1487CRE ²	—	—
Reducer 6 x 6 to 4 x 4	—	—	1487DRE ²	—
Reducer 8 x 8 to 4 x 4	—	—	—	1487EREC ²
Reducer 8 x 8 to 6 x 6	—	—	—	1487ERED ²
Box Connector	1487BK ¹	1487CK ¹	1487DK ¹	1487EK ¹
Drop Hanger	1485BL1 ¹	1485CL1 ¹	1485DL1 ¹	1485EL1 ¹
Bracket Hanger	1485BL2 ¹	1485CL2 ¹	1485DL2 ¹	1485EL2 ¹
Cover Plate	1487BH ²	1487CH ²	1487DH ²	1487EH ²
Gasket & Screws	1487BS ¹	1487CS ¹	1487DS ¹	1487ES ¹

¹ Does not meet CSA or UL requirements

² Maintains ratings on CSA and UL approved wireway

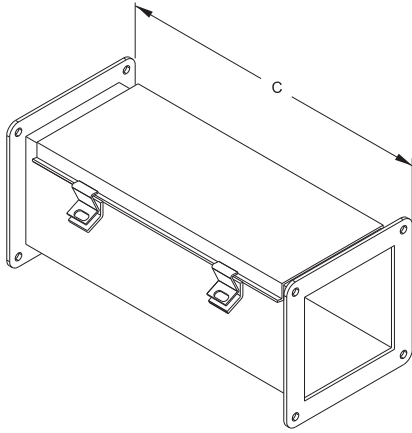
Technical references and CAD downloads available at www.hammondmfg.com

All dimensions in inches unless specified otherwise

Quality Products. Service Excellence.

1487 Series Pull Through Wireway - NEMA 12

Typical Straight Section

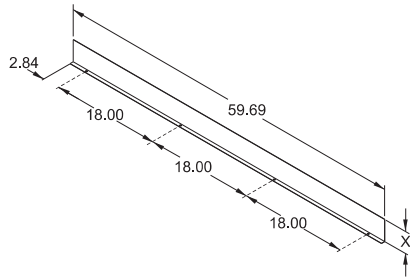


C=12"	C=24"	C=36"	C=48"	C=60"	C=120"	Size
Section Part No.	Section Part No.	Section Part No.	Section Part No.	Section Part No.	Section Part No.	
1487B12	1487B24	1487B36	1487B48	1487B60	1487B120	2.5 x 2.5
1487C12	1487C24	1487C36	1487C48	1487C60	1487C120	4 x 4
1487D12	1487D24	1487D36	1487D48	1487D60	1487D120	6 x 6
1487E12	1487E24	1487E36	1487E48	1487E60	1487E120	8 x 8

One flat sealing plate included

Partition (Barrier) Kit

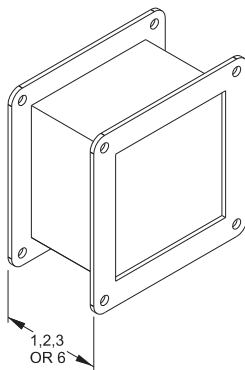
- Divides wireway into two or more compartments. Barriers are fastened to wireway sections with screws.



Part No.	Size	X
1487CB60	4 x 4	3.72
1487DB60	6 x 6	5.72
1487EB60	8 x 8	7.72

Does not meet CSA or UL requirements

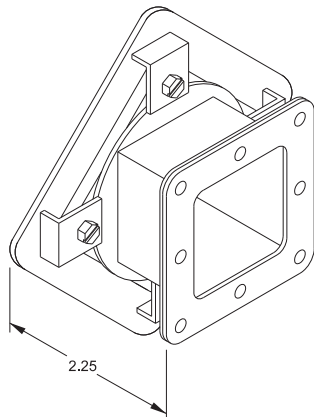
Typical Nipple



1" Nipple Part No.	2" Nipple Part No.	3" Nipple Part No.	6" Nipple Part No.	Size
1487BM1	1487BM2	1487BM3	1487BM6	2.5 x 2.5
1487CM1	1487CM2	1487CM3	1487CM6	4 x 4
1487DM1	1487DM2	1487DM3	1487DM6	6 x 6
1487EM1	1487EM2	1487EM3	1487EM6	8 x 8

One flat sealing plate included

Box Entry or Standard Swivel Nipple



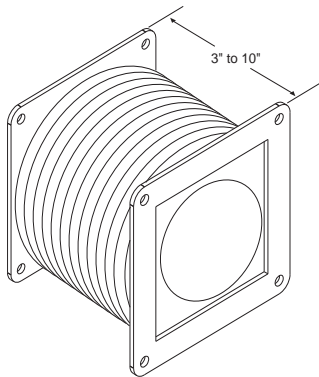
Box Entry Swivel Nipple Part No.	Standard Swivel Nipple Part No.	Size
1487BV1 ¹	1487BV2 ²	2.5 x 2.5
1487CV1 ¹	1487CV2 ²	4 x 4
1487DV1 ¹	1487DV2 ²	6 x 6
1487EV1 ¹	1487EV2 ²	8 x 8

Technical references and CAD downloads available at www.hammondmfg.com

All dimensions in inches unless specified otherwise

Quality Products. Service Excellence.

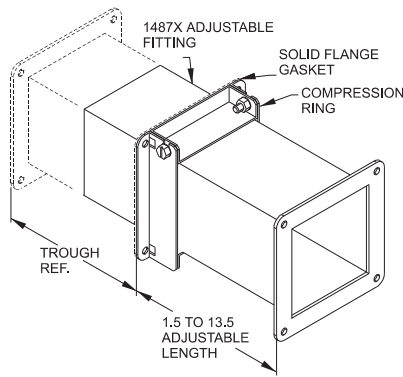
1487 Series Pull Through Wireway - NEMA 12



Flexible Fitting

- Allows for easy alignment of sections or fittings
- Metal flanges
- Flexible synthetic "bellows" middle section

Part No.	A	B
1485BFF	2.5	2.5
1485CFF	4	4
1485DFF	6	6
1485EFF	8	8

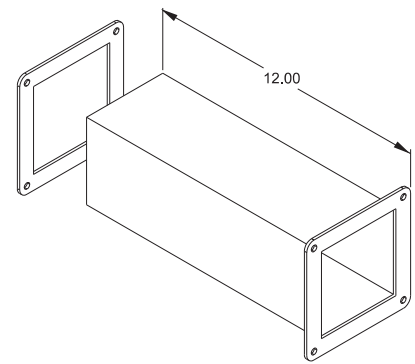


Adjustable Fitting

- Allows on site length adjustment of 1.5" to 13.5"

Part No.	Size
1487BX	2.5 x 2.5
1487CX	4 x 4
1487DX	6 x 6
1487EX	8 x 8

Does not meet CSA or UL requirements



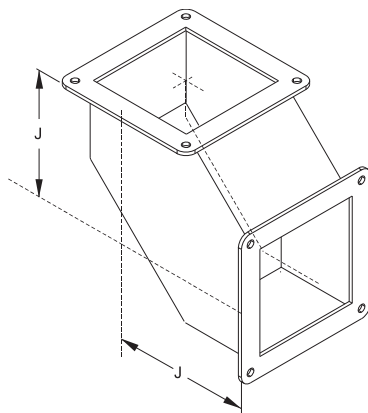
Cut-Off Fitting (Lay-In)

- Body comes in two pieces. Cut-off one piece, shorten cover, and weld together.
- Includes angle sealing plate.

Part No.	Size
1487BW	2.5 x 2.5
1487CW	4 x 4
1487DW	6 x 6
1487EW	8 x 8

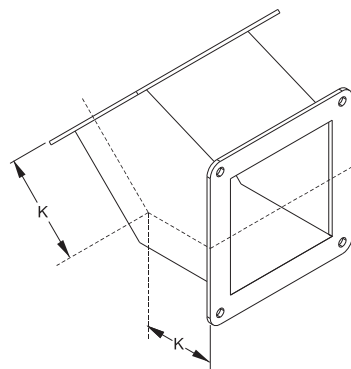
Does not meet CSA or UL requirements

Wireway & Trough



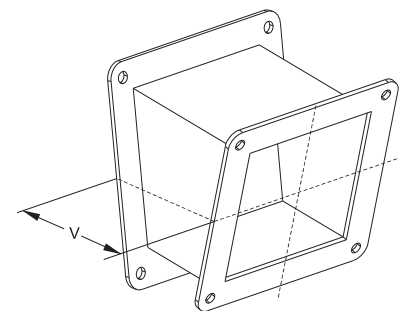
90° Elbow

Part No.	Size	J
1487B9P	2.5 x 2.5	4.25
1487C9P	4 x 4	5.00
1487D9P	6 x 6	6.00
1487E9P	8 x 8	7.00



45° Elbow

Part No.	Size	K
1487B4P	2.5 x 2.5	1.98
1487C4P	4 x 4	2.42
1487D4P	6 x 6	3.00
1487E4P	8 x 8	3.62

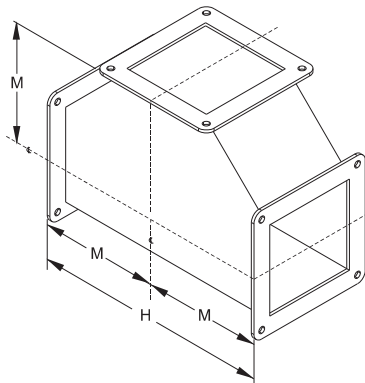


22.5° Elbow

Part No.	Size	V
1487B2P	2.5 x 2.5	3.18
1487C2P	4 x 4	3.75
1487D2P	6 x 6	4.43
1487E2P	8 x 8	5.12

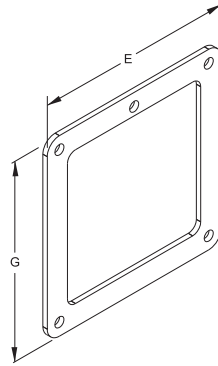
Pull Through Wireway

1487 Series Pull Through Wireway - NEMA 12

Wireway & Trough


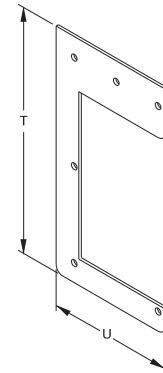
Tee Fitting

Part No.	Size	H	M
1487BT	2.5 x 2.5	8.50	4.25
1487CT	4 x 4	10.00	5.00
1487DT	6 x 6	12.00	6.00
1487ET	8 x 8	14.00	7.00



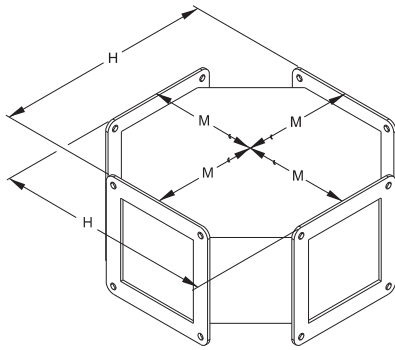
Box Connector

Part No.	Size	E	G
1487BK	2.5 x 2.5	3.87	3.87
1487CK	4 x 4	5.37	5.37
1487DK	6 x 6	7.62	7.62
1487EK	8 x 8	9.62	9.62



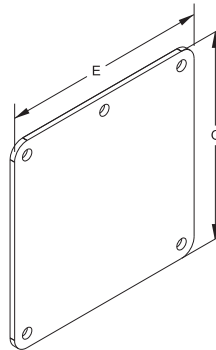
Drop Hanger

Part No.	Size	T	U
1485BL1	2.5 x 2.5	9.25	4.50
1485CL1	4 x 4	11.75	6.00
1485DL1	6 x 6	15.25	8.12
1485EL1	8 x 8	20.56	12.12

Pull Through Wireway


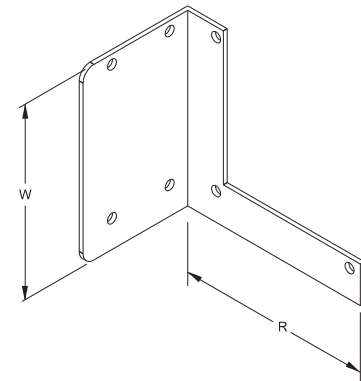
Cross Fitting

Part No.	Size	H	M
1487BY	2.5 x 2.5	8.50	4.25
1487CY	4 x 4	10.00	5.00
1487DY	6 x 6	12.00	6.00
1487EY	8 x 8	14.00	7.00



Cover Plate

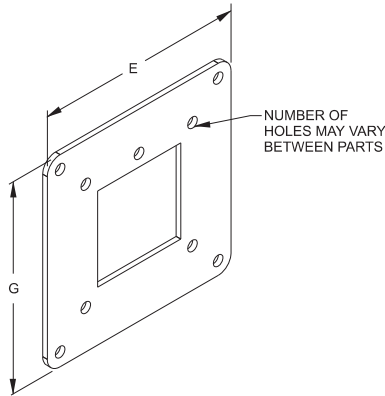
Part No.	Size	E	G
1487BH	2.5 x 2.5	3.87	3.87
1487CH	4 x 4	5.37	5.37
1487DH	6 x 6	7.62	7.62
1487EH	8 x 8	9.62	9.62



Bracket Hanger

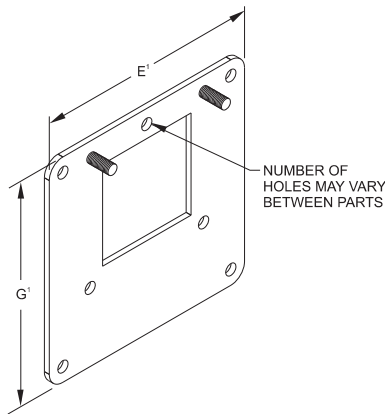
Part No.	Size	R	W
1485BL2	2.5 x 2.5	4.62	4.37
1485CL2	4 x 4	6.12	5.87
1485DL2	6 x 6	8.25	7.87
1485EL2	8 x 8	10.25	9.87

1487 Series Pull Through Wireway - NEMA 12



Reducers (Center Hole)

Part No.	Reduces from	to	E	G
1487GRC	4 x 4	2.5 x 2.5	5.37	5.37
1487DRC	6 x 6	4 x 4	7.62	7.62
1487ERCC	8 x 8	4 x 4	9.62	9.62
1487ERCD	8 x 8	6 x 6	9.62	9.62



Reducers (Edge Hole)

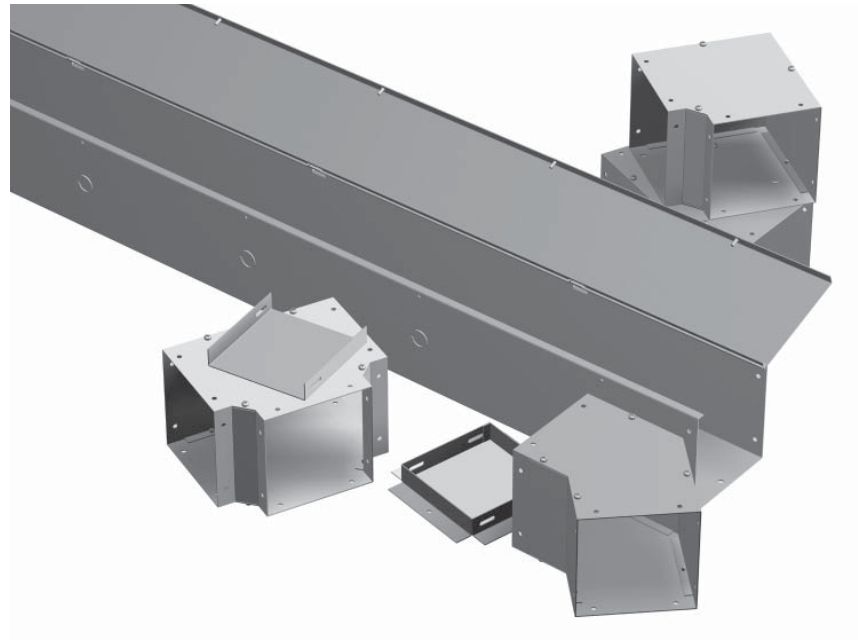
Part No.	Reduces from	to	E	G
1487GRE	4 x 4	2.5 x 2.5	5.37	5.37
1487DRE	6 x 6	4 x 4	7.62	7.62
1487EREC	8 x 8	4 x 4	9.62	9.62
1487ERED	8 x 8	6 x 6	9.62	9.62

Wireway & Trough

Pull Through Wireway

Lay In Wireway

NEMA 1



Wireway & Trough

Application

- Construction designed to ensure electrical continuity and to permit fast and easy indoor installation of multiple wireway runs.

Standards

- UL-50 Type 1
- cUL Type 1
- Complies with
 - IEC 60529, IP20

Construction - Screw Cover

- Formed from 16 or 14 gauge steel
- Flat covers have keyhole screw slots
- Straight sections do not have knockouts
- Unobstructed interior speeds up laying of cables
- Optional hanger brackets allow for vertical or horizontal mounting
- Joiners sold separately

Finish

- Sections and components are finished in ANSI 61 gray.
- Couplings are unpainted galvanized.

Construction - Hinge Cover

- Formed from 16 or 14 gauge steel
- Hinge covers are hinged on 24" centers
- Straight sections are provided with adequate concentric knockouts (1/2", 3/4" conduit size) except part numbers ending in NK
- Knockouts are on 12" centers
- Joiner is included with each straight section
- Unobstructed interior speeds up laying of cables
- Optional hanger brackets allow for vertical or horizontal mounting

Lay-In Wireway

Lay In Wireway NEMA 1

Wireway & Trough
Lay-In Wireway

Screw Cover	2.5 x 2.5	4 x 4	6 x 6	8 x 8	10 x 10	12 x 12
Straight Section 12"	CWSC212NK	CWSC412NK	CWSC612NK	CWSC812NK	CWSC1012NK	CWSC1212NK
Straight Section 18"	-	CWSC418NK	CWSC618NK	CWSC818NK	-	-
Straight Section 24"	CWSC224NK	CWSC424NK	CWSC624NK	CWSC824NK	CWSC1024NK	CWSC1224NK
Straight Section 36"	CWSC236NK	CWSC436NK	CWSC636NK	CWSC836NK	CWSC1036NK	CWSC1236NK
Straight Section 48"	CWSC248NK	CWSC448NK	CWSC648NK	CWSC848NK	CWSC1048NK	CWSC1248NK
Straight Section 60"	CWSC260NK	CWSC460NK	CWSC660NK	CWSC860NK	CWSC1060NK	CWSC1260NK
Straight Section 72"	-	CWSC472NK	CWSC672NK	CWSC872NK	CWSC1072NK	CWSC1272NK
Straight Section 96"	-	-	-	-	CWSC1096NK	CWSC1296NK
Straight Section 120"	CWSC2120NK	CWSC4120NK	CWSC6120NK	CWSC8120NK	CWSC10120NK	CWSC12120NK
Hinge Cover	2.5 x 2.5	4 x 4	6 x 6	8 x 8	10 x 10	12 x 12
Straight Section 12"	CWST212	CWST412	CWST612	CWST812	CWST1012NK	CWST1212NK
Straight Section 18"	-	CWST418NK	CWST618NK	CWST818NK	-	-
Straight Section 24"	CWST224	CWST424	CWST624	CWST824	CWST1024NK	CWST1224NK
Straight Section 36"	CWST236	CWST436	CWST636	CWST836	CWST1036NK	CWST1236NK
Straight Section 48"	CWST248	CWST448	CWST648	CWST848	CWST1048NK	CWST1248NK
Straight Section 60"	CWST260	CWST460	CWST660	CWST860	CWST1060NK	CWST1260NK
Straight Section 72"	CWST272	CWST472	CWST672	CWST872	CWST1072NK	CWST1272NK
Straight Section 96"	CWST296	CWST496	CWST696	CWST896	CWST1096NK	CWST1296NK
Straight Section 120"	CWST2120	CWST4120	CWST6120	CWST8120	CWST10120NK	CWST12120NK
Accessories	2.5 x 2.5	4 x 4	6 x 6	8 x 8	10 x 10	12 x 12
Straight Section Barrier 60"	CWBA260	CWBA460	CWBA660	CWBA860	-	-
Elbow 90 degrees	CWEL290	CWEL490	CWEL690	CWEL890	CWEL1090	CWEL1290
Elbow 45 degrees	CWEL245	CWEL445	CWEL645	CWEL845	CWEL1045	CWEL1245
Elbow 22.5 degrees	CWEL222	CWEL422	CWEL622	CWEL822	-	-
Tee Fitting	CWTF2	CWTF4	CWTF6	CWTF8	CWTF10	CWTF12
Cross Fitting	CWCF2	CWCF4	CWCF6	CWCF8	CWCF10	CWCF12
Reducer 4 x 4 to 2.5 x 2.5	-	CWRD42	-	-	-	-
Reducer 6 x 6 to 4 x 4	-	-	CWRD64	-	-	-
Reducer 8 x 8 to 6 x 6	-	-	-	CWRD86	-	-
Reducer 10 x 10 to 8 x 8	-	-	-	-	CWRD108	-
Reducer 12 x 12 to 8 x 8	-	-	-	-	-	CWRD128
Reducer 12 x 12 to 10 x 10	-	-	-	-	-	CWRD1210
Corner Reducer 4 x 4 to 2.5 x 2.5	-	CWCRD42	-	-	-	-
Corner Reducer 6 x 6 to 4 x 4	-	-	CWCRD64	-	-	-
Corner Reducer 8 x 8 to 6 x 6	-	-	-	CWCRD86	-	-
Bracket Hanger Ceiling Type	CWHD2	CWHD4	CWHD6	CWHD8	CWHD10	CWHD12
Bracket Hanger Wall Type	CWHW2	CWHW4	CWHW6	CWHW8	CWHW10	CWHW12
Closing Plate	CWCP2	CWCP4	CWCP6	CWCP8	CWCP10	CWCP12
Adapter (Box Connector)	CWAD2	CWAD4	CWAD6	CWAD8	CWAD10	CWAD12
Joiner	CWJO2	CWJO4	CWJO6	CWJO8	CWJO10	CWJO12
Telescope Fitting	CWTL2	CWTL4	CWTL6	CWTL8	CWTL10	CWTL12

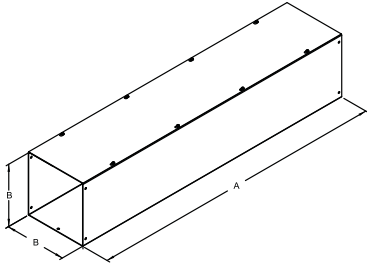
 Technical references and CAD downloads available at www.hammondmfg.com

All dimensions in inches unless specified otherwise

Quality Products. Service Excellence.

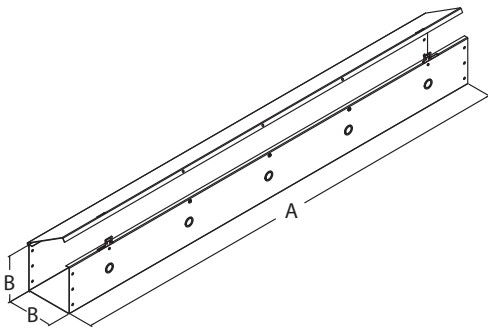
Lay In Wireway

NEMA 1



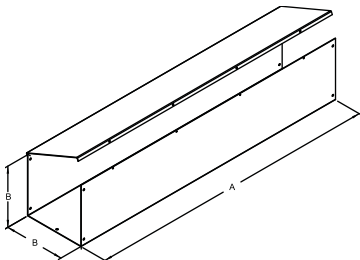
Straight Section - Screw Cover w/o Knockouts

A=12"	A=18"	A=24"	A=36"	A=48"	A=60"	A=72"	A=96"	A=120"	B
CWSC212NK	-	CWSC224NK	CWSC236NK	CWSC248NK	CWSC260NK	-	-	CWSC2120NK	2.50
CWSC412NK	CWSC418NK	CWSC424NK	CWSC436NK	CWSC448NK	CWSC460NK	CWSC472NK	-	CWSC4120NK	4.00
CWSC612NK	CWSC618NK	CWSC624NK	CWSC636NK	CWSC648NK	CWSC660NK	CWSC672NK	-	CWSC6120NK	6.00
CWSC812NK	CWSC818NK	CWSC824NK	CWSC836NK	CWSC848NK	CWSC860NK	CWSC872NK	-	CWSC8120NK	8.00
CWSC1012NK	-	CWSC1024NK	CWSC1036NK	CWSC1048NK	CWSC1060NK	CWSC1072NK	CWSC1096NK	CWSC10120NK	10.00
CWSC1212NK	-	CWSC1224NK	CWSC1236NK	CWSC1248NK	CWSC1260NK	CWSC1272NK	CWSC1296NK	CWSC12120NK	12.00



Straight Section - Hinge Cover with Knockouts

A=12"	A=24"	A=36"	A=48"	A=60"	A=72"	A=96"	A=120"	B
CWST212	CWST224	CWST236	CWST248	CWST260	CWST272	CWST296	CWST2120	2.5
CWST412	CWST424	CWST436	CWST448	CWST460	CWST472	CWST496	CWST4120	4
CWST612	CWST624	CWST636	CWST648	CWST660	CWST672	CWST696	CWST6120	6
CWST812	CWST824	CWST836	CWST848	CWST860	CWST872	CWST896	CWST8120	8



Straight Section - Hinge Cover w/o Knockouts

A=12"	A=18"	A=24"	A=36"	A=48"	A=60"	A=72"	A=96"	A=120"	B
-	CWST418NK	-	-	-	-	-	-	-	4.00
-	CWST618NK	-	-	-	-	-	-	-	6.00
-	CWST818NK	-	-	-	-	-	-	-	8.00
CWST1012NK	-	CWST1024NK	CWST1036NK	CWST1048NK	CWST1060NK	CWST1072NK	CWST1096NK	CWST10120NK	10.00
CWST1212NK	-	CWST1224NK	CWST1236NK	CWST1248NK	CWST1260NK	CWST1272NK	CWST1296NK	CWST12120NK	12.00

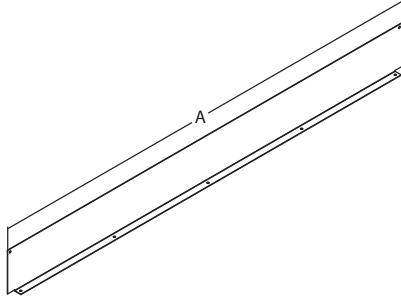
Technical references and CAD downloads available at www.hammondmfg.com

All dimensions in inches unless specified otherwise

Quality Products. Service Excellence.

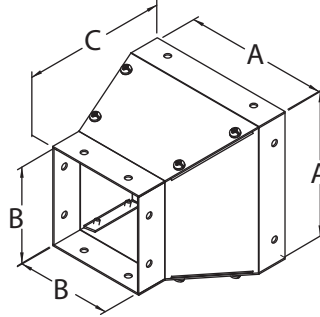
Lay In Wireway

NEMA 1



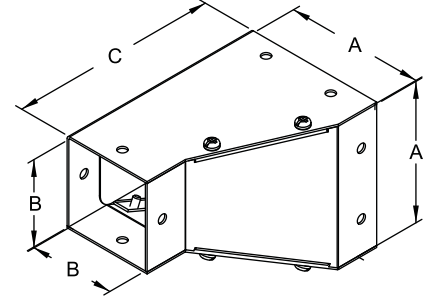
Straight Section Barrier

Part No.	A	B
CWBA260	58.88	2.5
CWBA460	58.88	4
CWBA660	58.88	6
CWBA860	58.88	8



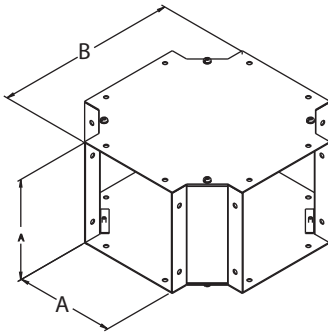
Reducer

Part No.	Size	A	B	C
CWRD42	4x4 to 2.5x2.5	4	2.5	6
CWRD64	6x6 to 4x4	6	4	6
CWRD86	8x8 to 6x6	8	6	6
CWRD108	10x10 to 8x8	10	8	6
CWRD128	12x12 to 8x8	12	8	6
CWRD1210	12x12 to 10x10	10	10	6



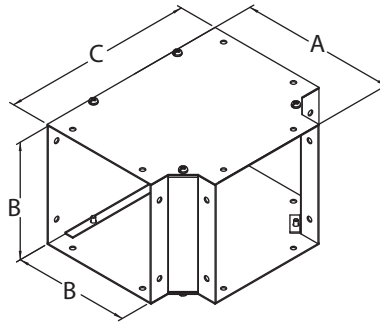
Corner Reducer

Part No.	Size	A	B	C
CWCRD42	4x4 to 2.5x2.5	4	2.5	6
CWCRD64	6x6 to 4x4	6	4	6
CWCRD86	8x8 to 6x6	8	6	6



Cross Fitting

Part No.	A	B
CWCF2	2.5	7.5
CWCF4	4	9
CWCF6	6	11
CWCF8	8	13
CWCF10	10	15
CWCF12	12	17



Tee Fitting

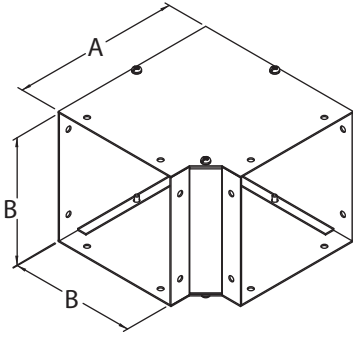
Part No.	A	B	C
CWTF2	4.5	2.5	6.386
CWTF4	6	4	7.886
CWTF6	8	6	9.886
CWTF8	10	8	11.856
CWTF10	12	10	13.856
CWTF12	14	12	15.856

Wireway & Trough

Lay-In Wireway

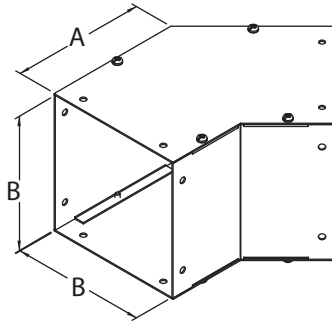
Lay In Wireway

NEMA 1

Wireway & Trough


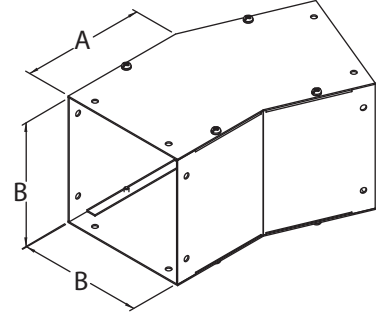
Elbow 90°

Part No.	A	B
CWEL290	4.5	2.5
CWEL490	6	4
CWEL690	8	6
CWEL890	10	8
CWEL1045	10	10
CWEL1245	12	12



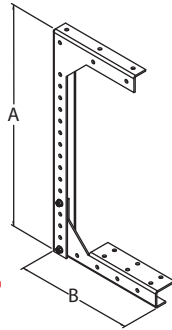
Elbow 45°

Part No.	A	B
CWEL245	2.5	2.5
CWEL445	4	4
CWEL645	6	6
CWEL845	8	8
CWEL1090	12	10
CWEL1290	14	12



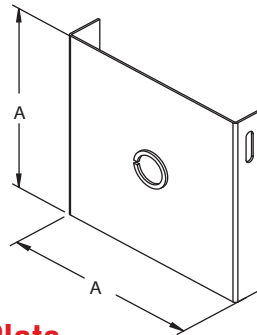
Elbow 22.5°

Part No.	A	B
CWEL222	2.5	2.5
CWEL422	4	4
CWEL622	6	6
CWEL822	8	8

Lay-In Wireway


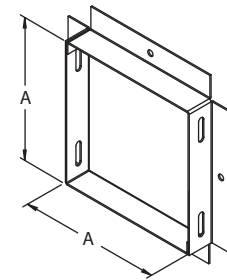
Bracket Hanger Ceiling Type

Part No.	A (max.)	B
CWHD2	12	6.625
CWHD4	15	8.125
CWHD6	19	10.125
CWHD8	23	12.125
CWHD10	27	14.125
CWHD12	31	16.125



Closing Plate

Part No.	A	Knockout
CWCP2	2.4	1.75
CWCP4	3.9	1.75
CWCP6	5.9	1.75
CWCP8	7.9	1.75
CWCP10	9.9	1.75
CWCP12	11.9	1.75

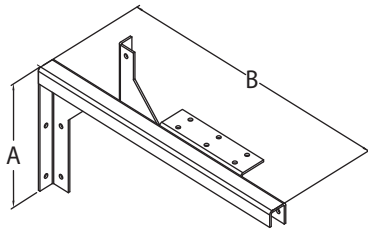


Adapter (Box Connector)

Part No.	A
CWAD2	2.4
CWAD4	3.9
CWAD6	5.9
CWAD8	7.9
CWAD10	9.9
CWAD12	11.9

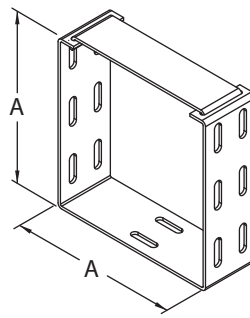
Lay In Wireway

NEMA 1



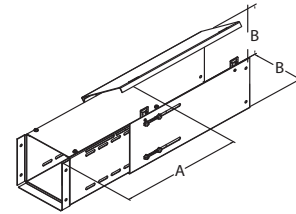
Bracket Hanger Wall Type

Part No.	A	B
CWHW2	4.625	12
CWHW4	6.125	15
CWHW6	8.125	19
CWHW8	10.125	23
CWHW10	12.125	27
CWHW12	14.125	36



Joiner

Part No.	A	Part No.	A
CWJO2	2.5	CWJO8	8.0
CWJO4	4.0	CWJO10	10
CWJO6	6.0	CWJO12	12



Telescope Fitting

Part No.	A	B
CWTL2	14	2.5
CWTL4	14	4
CWTL6	14	6
CWTL8	14	8
CWTL10	14	10
CWTL12	14	12

Wireway & Trough

Lay-In Wireway

3R Trough

NEMA 3R



Wireway & Trough



Application

- Designed for use to protect multiple wiring junctions in outdoor environments against the ingress of rain, sleet, snow and the external formation of ice.

Standards

- UL870 Type 3R
- CSA Type 3R
- **Complies with**
 - NEMA Type 3R
 - IEC 60529, IP24

Construction

- Formed and spot welded from 14 or 16 gauge galvanized steel
- Drip shield top design protects the enclosure against rain, snow or sleet
- Embossed mounting holes on back of enclosure
- Slip on removable front cover is secured with screws
- Padlocking hasp
- To fully comply with UL870 - 2008 requirements a bonding stud is provided on the cover and a ground stud is provided in the enclosure
- A #10 AWG - 12" grounding strap with crimped on ring terminals is also provided to comply with UL requirements

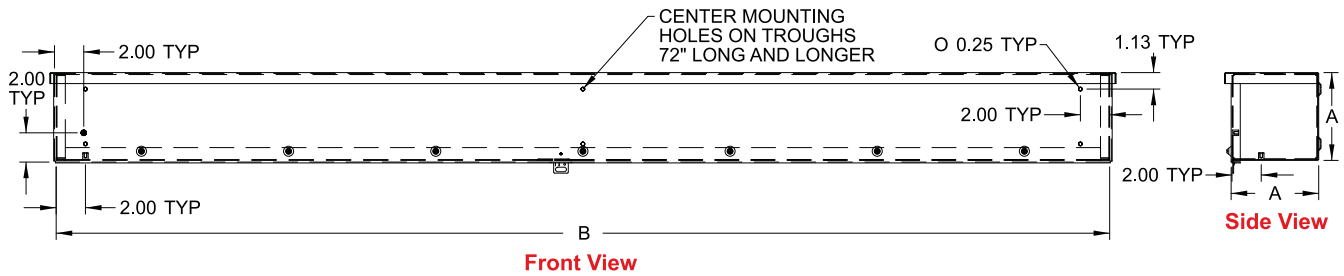
Finish

- Enclosure and cover are finished in ANSI 61 gray powder coating.

3R Trough

3R Trough

NEMA 3R



Part No.	A	B	Ship Wt. lbs.
C3RWT412	4	12	5.5
C3RWT418	4	18	6.25
C3RWT424	4	24	9
C3RWT436	4	36	12.5
C3RWT448	4	48	16
C3RWT460	4	60	19.5
C3RWT472	4	72	23
C3RWT612	6	12	8
C3RWT618	6	18	10.5
C3RWT624	6	24	13
C3RWT636	6	36	18
C3RWT648	6	48	23
C3RWT660	6	60	28
C3RWT672	6	72	33
C3RWT812	8	12	13
C3RWT824	8	24	21.5
C3RWT836	8	36	30
C3RWT848	8	48	38.5
C3RWT860	8	60	47
C3RWT872	8	72	55.5
C3RWT896	8	96	72.5
C3RWT8116	8	116	86.5
C3RWT1024	10	24	27
C3RWT1036	10	36	37.5
C3RWT1048	10	48	48
C3RWT1060	10	60	58.5
C3RWT1072	10	72	69
C3RWT1096	10	96	90
C3RWT10116	10	116	107.5
C3RWT1224	12	24	33
C3RWT1236	12	36	45.5
C3RWT1248	12	48	58
C3RWT1260	12	60	70.5
C3RWT1272	12	72	83
C3RWT1284	12	84	95.5
C3RWT1296	12	96	108
C3RWT12116	12	116	128

Wireway & Trough

3R Trough

Commercial Enclosures



Commercial Enclosures

	C-Box Screw Cover with Knockouts - NEMA 1 299		N1J Series Panel Enclosure - NEMA 1 323
	C-Box Screw Cover without Knockouts - NEMA 1 301		N1A Series Panel Enclosure Non-Ventilated - NEMA 1 325
	C-Box Hinged Cover with Knockouts - NEMA 1 303		1420 Series Panel Enclosure Non-Ventilated - NEMA 1 327
	Splitter Boxes - NEMA 1 305		1416 Series Ventilated Component Case - NEMA 1 329
	Splitter Boxes - NEMA 3R, 12, 4..... 307		N1WS Series Surface Mount Panel Enclosure - NEMA 1 331
	Splitter Troughs - NEMA 1 309		N1WF Series Flush Mount Panel Enclosure - NEMA 1 333
	Splitter Troughs - NEMA 3R, 12, 4..... 311		Screw Cover Enclosures with Knockouts - NEMA 3R..... 335
	Splitter Blocks..... 313		Small Hinged Cover with Knockouts - NEMA 3R..... 339
	Grounding Kits..... 314		Medium Hinged Cover without Knockouts - NEMA 3R..... 341
	Metering Cabinets - NEMA 1 315		Hinged Cover Lift-Off without Knockouts - NEMA 3R..... 343
	Hydro-Quebec Metering Cabinets - NEMA 1 317		
	Ontario Hydro Metering Cabinets - NEMA 1 319		
	Metering Cabinets - NEMA 3R..... 321		

C-Box Screw Cover with Knockouts

NEMA 1


Commercial Enclosures

Application

- Designed for general purpose indoor commercial use as a junction, pull or switch box.

Standards

- UL-50 Type 1
- CSA Type 1
- **Complies with:**
 - NEMA Type 1
 - IEC 60529, IP20

Construction

- Formed and spot welded from 16 or 14 gauge steel depending on size.
- Flat steel covers fastened with plated steel screws.
- Keyhole slots permit cover to be lifted off without removing screws entirely.
- Easily removed knockouts on all 4 sides (see drawings for sizes and locations).
- Through holes in back for wall mounting.
- Grounding location embossed in body.

Finish

- Enclosure and cover are finished in ANSI 61 gray powder coating.

Part No.	Overall Dimensions			Mtg. Centers				Knockout Pattern Sides	H	Knockout Pattern Top & Bottom	Ship Wt. lbs.
	A	B	C	D	E	F	G				
CSKO443	4	4	3	2.25	3.00	0.88	0.50	B - C	0.28	A - B	2
CSKO663	6	6	3	3.00	5.00	1.50	0.50	B - C - D	0.28	B - C - D	3
CSKO863	8	6	3	5.00	5.00	1.50	0.50	F - G - H - I	0.28	B - C - D	3
CSKO16143	16	14	3	13.00	13.00	1.50	0.50	B - C - D - E - F - G - H	0.28	B - C - D - E - F - G - H	12
CSKO18143	18	14	3	15.00	13.00	1.50	0.50	A - B - C - D - E - F - G - H - I	0.28	B - C - D - E - F - G - H	13
CSKO20143	20	14	3	17.00	13.00	1.50	0.50	A - B - C - D - E - F - G - H - I	0.28	B - C - D - E - F - G - H	13
CSKO444	4	4	4	2.25	3.00	0.88	0.50	B - C	0.28	A - B	2
CSKO644	6	4	4	3.00	3.00	1.50	0.50	B - C - D	0.28	A - B	3
CSKO664	6	6	4	3.00	5.00	1.50	0.50	B - C - D	0.28	B - C - D	3
CSKO864	8	6	4	5.00	5.00	1.50	0.50	F - G - H - I	0.28	B - C - D	5
CSKO884	8	8	4	5.00	7.00	1.50	0.50	F - G - H - I	0.28	F - G - H - I	5
CSKO1084	10	8	4	7.00	7.00	1.50	0.50	F - G - H - I	0.28	F - G - H - I	6
CSKO10104	10	10	4	7.00	9.00	1.50	0.50	F - G - H - I	0.28	C - D - E - F - G	6
CSKO1284	12	8	4	9.00	7.00	1.50	0.50	C - D - E - F - G	0.28	F - G - H - I	7
CSKO12104	12	10	4	9.00	9.00	1.50	0.50	C - D - E - F - G	0.28	C - D - E - F - G	8
CSKO12124	12	12	4	9.00	11.00	1.50	0.50	C - D - E - F - G	0.28	C - D - E - F - G	9
CSKO16124	16	12	4	13.00	11.00	1.50	0.50	B - C - D - E - F - G - H	0.28	C - D - E - F - G	12
CSKO18124	18	12	4	15.00	11.00	1.50	0.50	A - B - C - D - E - F - G - H - I	0.28	C - D - E - F - G	12
CSKO18184	18	18	4	15.00	17.00	1.50	0.50	A - B - C - D - E - F - G - H - I	0.28	A - B - C - D - E - F - G - H - I	16
CSKO24244	24	24	4	21.00	23.00	1.50	0.50	C - D - E - F - G	0.28	C - D - E - F - G	33

Chart continued on next page...

 Technical references and CAD downloads available at www.hammondmfg.com

All dimensions in inches unless specified otherwise

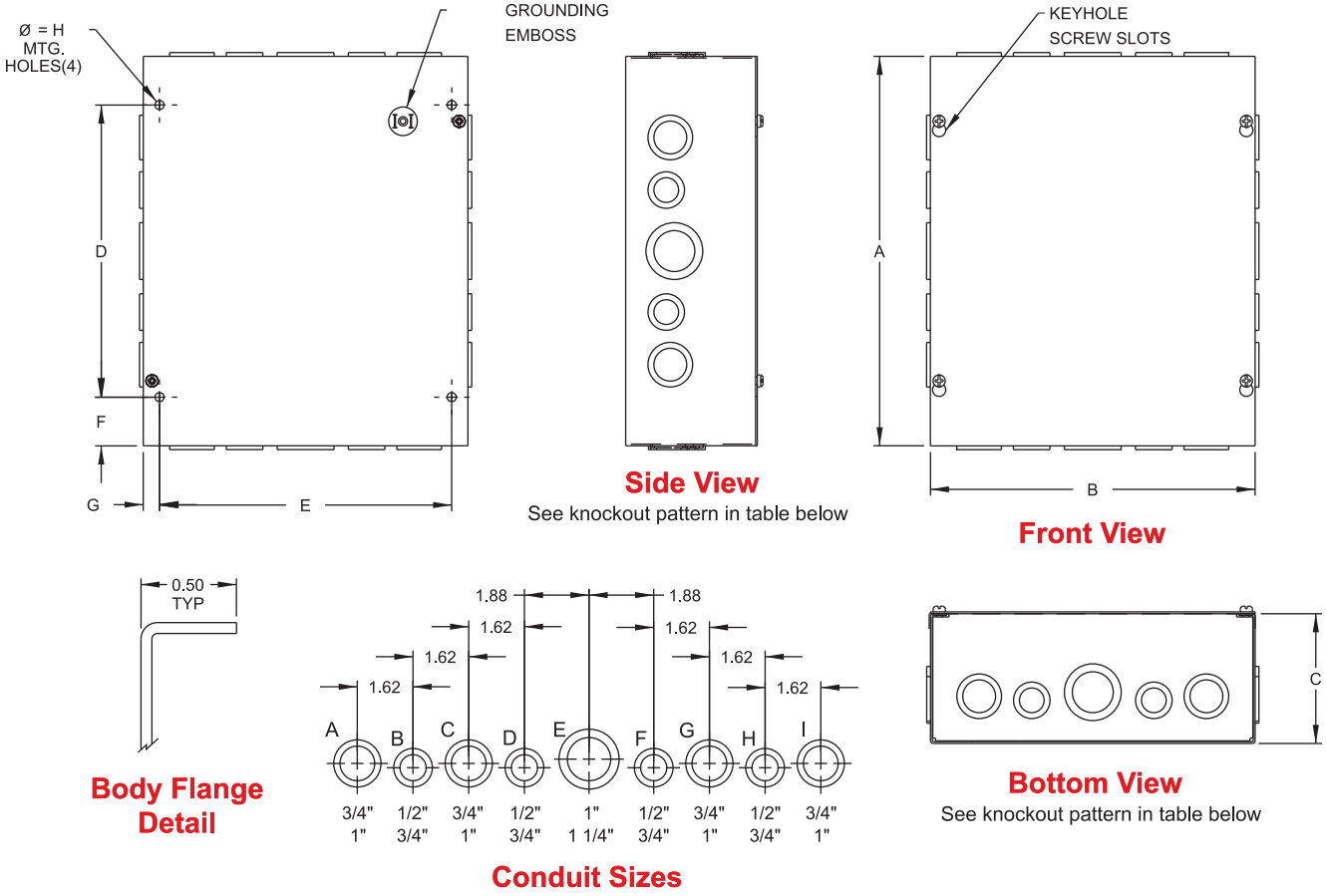
Junction Boxes

C-Box Screw Cover with Knockouts

NEMA 1

Commercial Enclosures

Junction Boxes



Part No.	Overall Dimensions			Mtg. Centers				Knockout Pattern Sides		Knockout Pattern Top & Bottom	Ship Wt. lbs.
	A	B	C	D	E	F	G	H			
CSKO666	6	6	6	3.00	5.00	1.50	0.50	B - C - D	0.28	B - C - D	4
CSKO886	8	8	6	5.00	7.00	1.50	0.50	F - G - H - I	0.28	F - G - H - I	6
CSKO1086	10	8	6	7.00	7.00	1.50	0.50	F - G - H - I	0.28	F - G - H - I	7
CSKO10106	10	10	6	7.00	9.00	1.50	0.50	F - G - H - I	0.28	C - D - E - F - G	8
CSKO12106	12	10	6	9.00	9.00	1.50	0.50	C - D - E - F - G	0.28	C - D - E - F - G	9
CSKO12126	12	12	6	9.00	11.00	1.50	0.50	C - D - E - F - G	0.28	C - D - E - F - G	10
CSKO16126	16	12	6	13.00	11.00	1.50	0.50	B - C - D - E - F - G - H	0.28	C - D - E - F - G	13
CSKO16166	16	16	6	13.00	15.00	1.50	0.50	B - C - D - E - F - G - H	0.28	B - C - D - E - F - G - H	16
CSKO18126	18	12	6	15.00	11.00	1.50	0.50	A - B - C - D - E - F - G - H - I	0.28	C - D - E - F - G	14
CSKO18186	18	18	6	15.00	17.00	1.50	0.50	A - B - C - D - E - F - G - H - I	0.28	A - B - C - D - E - F - G - H - I	19
CSKO24186	24	18	6	21.00	17.00	1.50	0.50	A - B - C - D - E - F - G - H - I	0.28	A - B - C - D - E - F - G - H - I	26
CSKO24246	24	24	6	21.00	22.50	1.50	0.75	A - B - C - D - E - F - G - H - I	0.44	A - B - C - D - E - F - G - H - I	37
CSKO30246	30	24	6	27.00	22.50	1.50	0.75	A - B - C - D - E - F - G - H - I	0.44	A - B - C - D - E - F - G - H - I	45
CSKO36246	36	24	6	33.00	22.50	1.50	0.75	A - B - C - D - E - F - G - H - I	0.44	A - B - C - D - E - F - G - H - I	57
CSKO12128	12	12	8	9.00	11.00	1.50	0.50	C - D - E - F - G	0.28	C - D - E - F - G	12
CSKO16168	16	16	8	13.00	15.00	1.50	0.50	B - C - D - E - F - G - H	0.28	B - C - D - E - F - G - H	20
CSKO24248	24	24	8	21.00	22.50	1.50	0.75	A - B - C - D - E - F - G - H - I	0.44	A - B - C - D - E - F - G - H - I	44
CSKO202010	20	20	10	17.00	19.00	1.50	0.75	A - B - C - D - E - F - G - H - I	0.28	A - B - C - D - E - F - G - H - I	37
CSKO242410	24	24	10	21.00	22.50	1.50	0.50	A - B - C - D - E - F - G - H - I	0.44	A - B - C - D - E - F - G - H - I	52
CSKO302010	30	20	10	27.00	18.50	1.50	0.75	A - B - C - D - E - F - G - H - I	0.44	A - B - C - D - E - F - G - H - I	59
CSKO362410	36	24	10	33.00	22.50	1.50	0.75	A - B - C - D - E - F - G - H - I	0.44	A - B - C - D - E - F - G - H - I	75

Technical references and CAD downloads available at www.hammondmfg.com All dimensions in inches unless specified otherwise

Quality Products. Service Excellence.

C-Box Screw Cover without Knockouts

NEMA 1


Commercial Enclosures


Application

- Designed for general purpose indoor commercial use as a junction, pull or switch box.

Standards

- UL-50 Type 1
- UL Type 1
- CSA Type 1
- **Complies with**
 - NEMA Type 1
 - IEC 60529, IP20

Construction

- Formed and spot welded from 16, 14 or 12 gauge steel depending on size.
- Flat steel covers fastened with plated steel screws.
- Keyhole slots permit cover to be lifted off without removing screws entirely.
- Through holes in back for wall mounting.
- Grounding location embossed in body.

Finish

- Enclosure and cover are finished in ANSI 61 gray powder coating.

Junction Boxes

Part No.	Overall Dimensions			Mtg. Centers					Ship Wt. lbs.
	A	B	C	D	E	F	G	H	
CS443	4	4	3	2.25	3.00	0.88	0.50	0.28	2
CS663	6	6	3	3.00	5.00	1.50	0.50	0.28	3
CS863	8	6	3	5.00	5.00	1.50	0.50	0.28	3
CS16143	16	14	3	13.00	13.00	1.50	0.50	0.28	12
CS18143	18	14	3	15.00	13.00	1.50	0.50	0.28	13
CS20143	20	14	3	17.00	13.00	1.50	0.50	0.28	13
CS444	4	4	4	2.25	3.00	0.88	0.50	0.28	2
CS644	6	4	4	3.00	3.00	1.50	0.50	0.28	3
CS664	6	6	4	3.00	5.00	1.50	0.50	0.28	3
CS864	8	6	4	5.00	5.00	1.50	0.50	0.28	5
CS884	8	8	4	5.00	7.00	1.50	0.50	0.28	5
CS1084	10	8	4	7.00	7.00	1.50	0.50	0.28	6
CS10104	10	10	4	7.00	9.00	1.50	0.50	0.28	6
CS1284	12	8	4	9.00	7.00	1.50	0.50	0.28	7
CS12104	12	10	4	9.00	9.00	1.50	0.50	0.28	8
CS12124	12	12	4	9.00	11.00	1.50	0.50	0.28	9
CS16124	16	12	4	13.00	11.00	1.50	0.50	0.28	12
CS18124	18	12	4	15.00	11.00	1.50	0.50	0.28	12
CS18184	18	18	4	15.00	17.00	1.50	0.50	0.28	16
CS24244	24	24	4	21.00	23.00	1.50	0.50	0.28	33
CS666	6	6	6	3.00	5.00	1.50	0.50	0.28	4
CS886	8	8	6	5.00	7.00	1.50	0.50	0.28	6

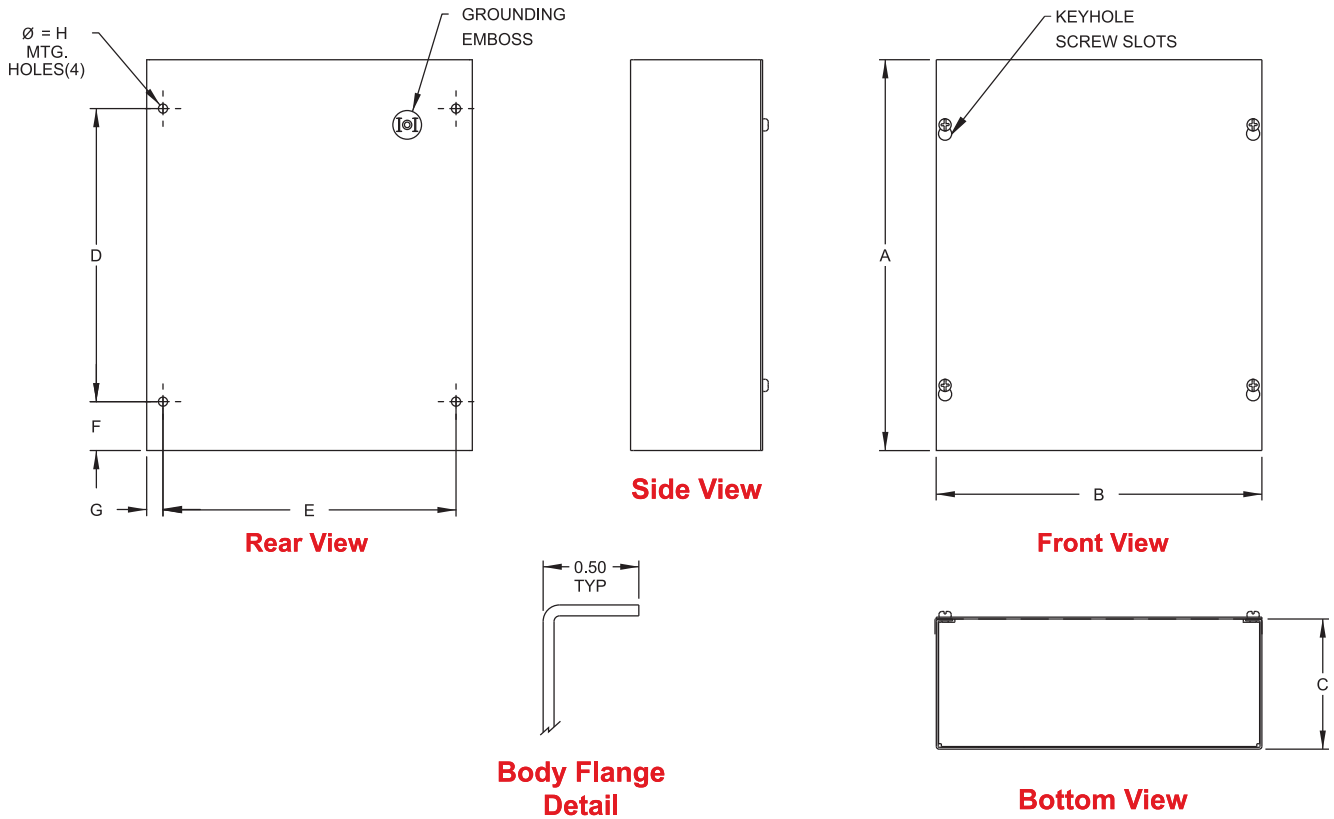
Chart continued on next page....

Technical references and CAD downloads available at www.hammondmfg.com

All dimensions in inches unless specified otherwise

C-Box Screw Cover without Knockouts

NEMA 1

Commercial Enclosures
Junction Boxes


Part No.	Overall Dimensions			Mtg. Centers				Ship Wt. lbs.	
	A	B	C	D	E	F	G		H
CS1086	10	8	6	7.00	7.00	1.50	0.50	0.28	7
CS10106	10	10	6	7.00	9.00	1.50	0.50	0.28	8
CS12106	12	10	6	9.00	9.00	1.50	0.50	0.28	8
CS12126	12	12	6	9.00	11.00	1.50	0.50	0.28	9
CS16126	16	12	6	13.00	11.00	1.50	0.50	0.28	13
CS16166	16	16	6	13.00	15.00	1.50	0.50	0.28	16
CS18126	18	12	6	15.00	11.00	1.50	0.50	0.28	14
CS18186	18	18	6	15.00	17.00	1.50	0.50	0.28	19
CS24186	24	18	6	21.00	17.00	1.50	0.50	0.28	26
CS24246	24	24	6	21.00	22.50	1.50	0.75	0.44	37
CS30246	30	24	6	27.00	22.50	1.50	0.75	0.44	45
CS36246	36	24	6	33.00	22.50	1.50	0.75	0.44	57
CS36366	36	36	6	33.00	34.50	1.50	0.75	0.44	70
CS12128	12	12	8	9.00	11.00	1.50	0.50	0.28	12
CS16168	16	16	8	13.00	15.00	1.50	0.50	0.28	18
CS18188	18	18	8	15.00	17.00	1.50	0.50	0.28	21
CS24248	24	24	8	21.00	22.50	1.50	0.75	0.44	42
CS36248	36	24	8	33.00	22.50	1.50	0.75	0.44	65
CS202010	20	20	10	17.00	19.00	1.50	0.75	0.44	35
CS242410	24	24	10	21.00	22.50	1.50	0.50	0.28	49
CS302010	30	20	10	27.00	18.50	1.50	0.75	0.44	55
CS362410	36	24	10	33.00	22.50	1.50	0.75	0.44	70
CS363612	36	36	12	33.00	34.50	1.50	0.75	0.44	88

 Technical references and CAD downloads available at www.hammondmfg.com

All dimensions in inches unless specified otherwise

Quality Products. Service Excellence.

C-Box Hinged Cover with Knockouts

NEMA 1



Commercial Enclosures



Application

- Designed for general purpose indoor commercial use as a junction, pull or switch box.
- Hinged cover with latch provides easy access during installation and maintenance.

Standards

- UL-50 Type 1
- CSA Type 1
- **Complies with**
 - NEMA Type 1
 - IEC 60529, IP30

Construction

- Formed and spot welded from 16 or 14 gauge steel depending on size.
- Formed steel covers close by use of slotted quarter turn latch.
- Full swing door using butt hinges.
- Easily removed knockouts on all 4 sides (see drawings for sizes and locations).
- Through holes in back for wall mounting.
- Grounding location embossed in body.

Finish

- Enclosure and cover are finished in ANSI 61 gray powder coating.

Accessories

- N1JLK Lock Kit...see page **431**

Junction Boxes

Part No.	Overall Dimensions			Meeting Centers		Knockout Pattern Sides				Knockout Pattern Top & Bottom	Ship Wt. lbs.
	A	B	C	D	E	F	G				
CHKO663	6	6	3.5	3.00	5.00	0.50	0.28	B - C - D	B - C - D	3	
CHKO644	6	4	4	3.00	3.00	0.50	0.28	B - C - D	A - B	3	
CHKO664	6	6	4	3.00	5.00	0.50	0.28	B - C - D	B - C - D	3	
CHKO864	8	6	4	5.00	5.00	0.50	0.28	F - G - H - I	B - C - D	4	
CHKO884	8	8	4	5.00	7.00	0.50	0.28	F - G - H - I	F - G - H - I	5	
CHKO1084	10	8	4	7.00	7.00	0.50	0.28	F - G - H - I	F - G - H - I	6	
CHKO10104	10	10	4	7.00	9.00	0.50	0.28	F - G - H - I	C - D - E - F - G	7	
CHKO1284	12	8	4	9.00	7.00	0.50	0.28	C - D - E - F - G	F - G - H - I	8	
CHKO12104	12	10	4	9.00	9.00	0.50	0.28	C - D - E - F - G	C - D - E - F - G	8	
CHKO12124	12	12	4	9.00	11.00	0.50	0.28	C - D - E - F - G	C - D - E - F - G	9	
CHKO16124	16	12	4	13.00	11.00	0.50	0.28	B - C - D - E - F - G - H	C - D - E - F - G	12	
CHKO18124	18	12	4	15.00	11.00	0.50	0.28	A - B - C - D - E - F - G - H - I	C - D - E - F - G	12	
CHKO666	6	6	6	3.00	5.00	0.50	0.28	B - C - D	B - C - D	4	
CHKO886	8	8	6	5.00	7.00	0.50	0.28	F - G - H - I	F - G - H - I	6	
CHKO1086	10	8	6	7.00	7.00	0.50	0.28	F - G - H - I	F - G - H - I	7	

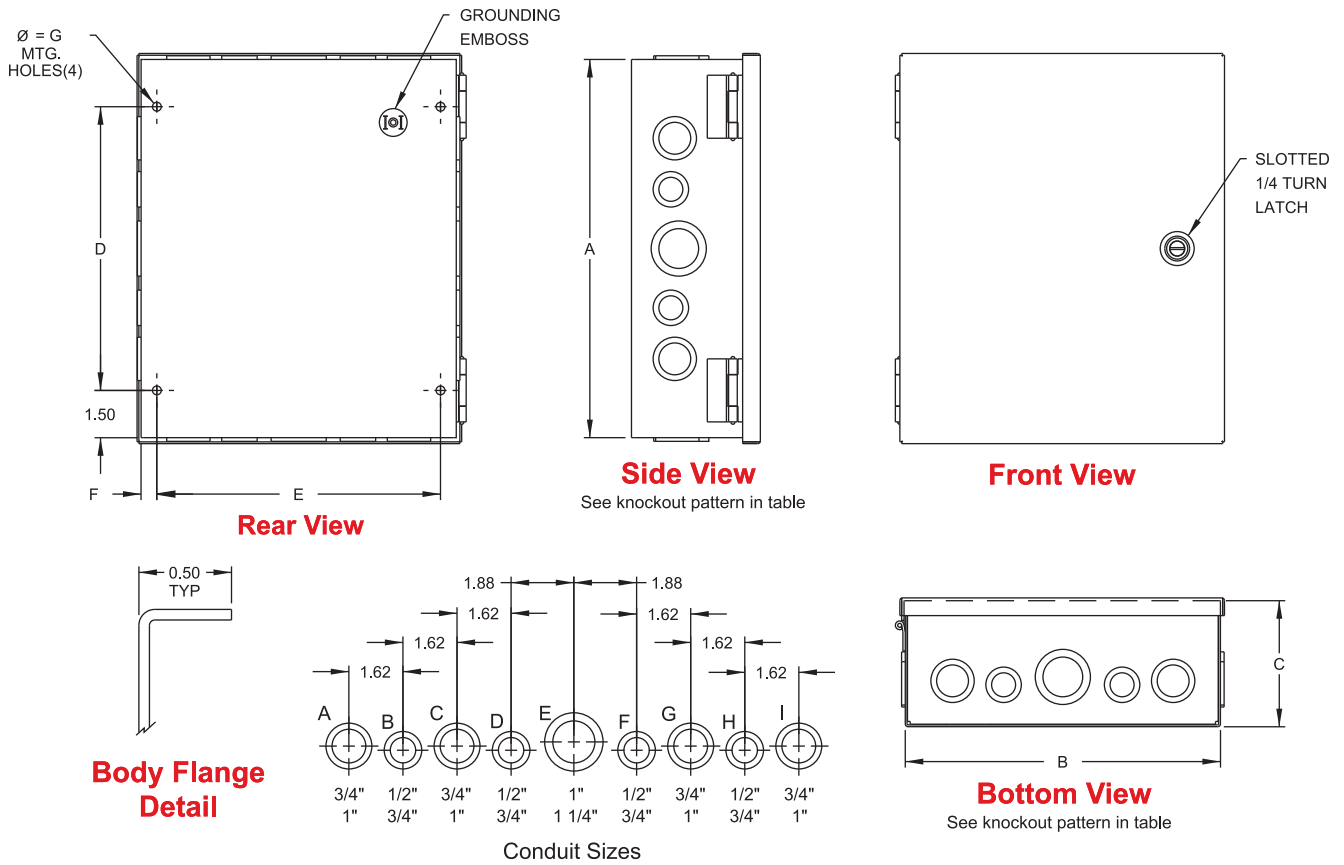
Chart continued on next page....

C-Box Hinged Cover with Knockouts

NEMA 1

Commercial Enclosures

Junction Boxes



Part No.	Overall Dimensions			Meeting Centers		Knockout Pattern Sides		Knockout Pattern Top & Bottom		Ship Wt. lbs.
	A	B	C	D	E	F	G			
CHKO10106	10	10	6	7.00	9.00	0.50	0.28	F - G - H - I	C - D - E - F - G	8
CHKO12106	12	10	6	9.00	9.00	0.50	0.28	C - D - E - F - G	C - D - E - F - G	8
CHKO12126	12	12	6	9.00	11.00	0.50	0.28	C - D - E - F - G	C - D - E - F - G	10
CHKO16126	16	12	6	13.00	11.00	0.50	0.28	B - C - D - E - F - G - H	C - D - E - F - G	13
CHKO16166	16	16	6	13.00	15.00	0.50	0.28	B - C - D - E - F - G - H	B - C - D - E - F - G - H	14
CHKO18126	18	12	6	15.00	11.00	0.50	0.28	A - B - C - D - E - F - G - H - I	C - D - E - F - G	14
CHKO18186	18	18	6	15.00	17.00	0.50	0.28	A - B - C - D - E - F - G - H - I	A - B - C - D - E - F - G - H - I	20
CHKO24186	24	18	6	21.00	17.00	0.50	0.28	A - B - C - D - E - F - G - H - I	A - B - C - D - E - F - G - H - I	24
CHKO24246	24	24	6	21.00	22.50	0.75	0.44	A - B - C - D - E - F - G - H - I	A - B - C - D - E - F - G - H - I	40
CHKO30246	30	24	6	27.00	22.50	0.75	0.44	A - B - C - D - E - F - G - H - I	A - B - C - D - E - F - G - H - I	49
CHKO36246	36	24	6	33.00	22.50	0.75	0.44	A - B - C - D - E - F - G - H - I	A - B - C - D - E - F - G - H - I	57
CHKO36248	36	24	8	33.00	22.50	0.75	0.44	A - B - C - D - E - F - G - H - I	A - B - C - D - E - F - G - H - I	60

Splitter Boxes

NEMA 1



Commercial Enclosures



Application

- The splitter boxes are designed for indoor distribution of up to 600 V (max) service using either 3 or 4 wires.

Construction

- Formed and spot welded from 14 or 16 gauge steel.
- Factory installed splitter blocks.
- Series of knockouts on each side.
- Padlocking hasp.

Finish

- Enclosure and cover are finished in ANSI 61 gray powder coating.

Standards

- CSA Type 1
- **Complies with**
 - IEC 60529, IP20

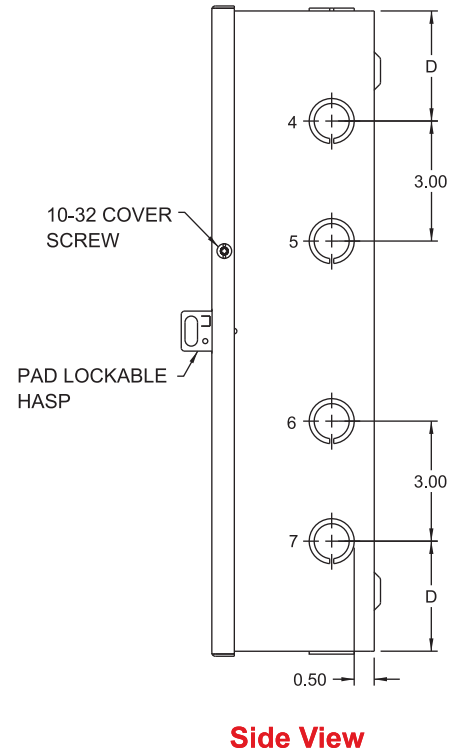
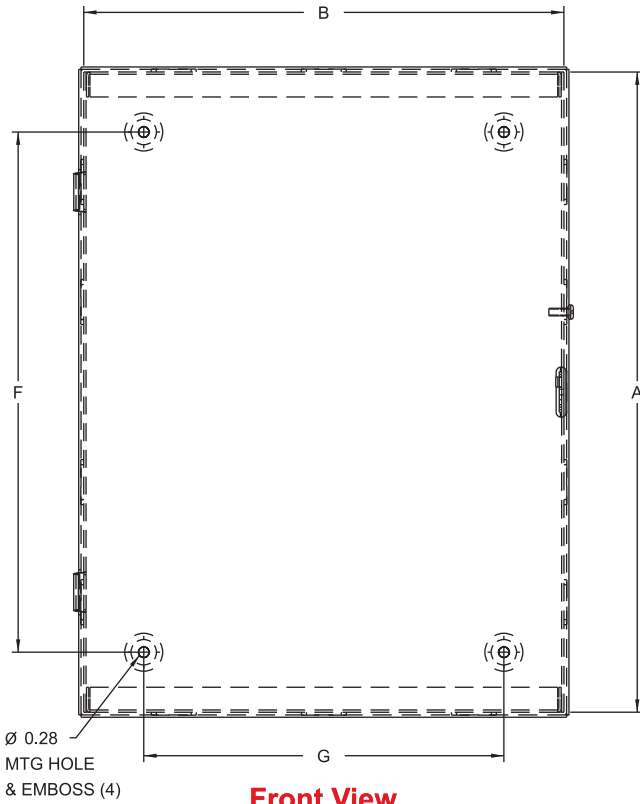
Splitter Boxes

3 Wire	Part Number		CU/AL	Dimensions			Ship Wt.
	4 Wire	Less Blocks	Amps	H	W	D	lbs
CSB73	CSB74	CSB70	70/70	12	10	4	9
CSB103	CSB104	CSB100	125/120	15	10	4	10
CSB203	CSB204	CSB200	225/225	18	12	5	16
CSB403	CSB404	CSB400	400/340	24	17	6	37
CSB603*	CSB604*	CSB600*	600/574	30	24	7	63

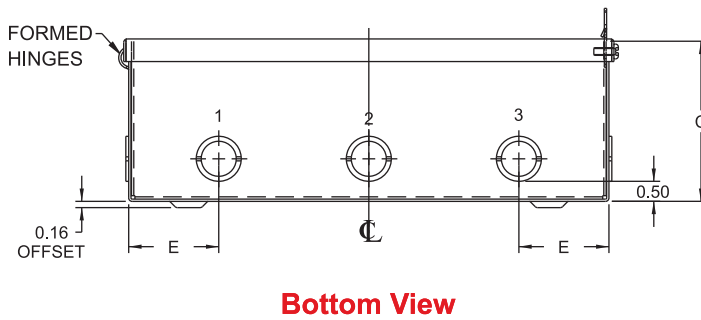
* 14 gauge steel

Splitter Boxes

NEMA 1



Commercial Enclosures



NOTE: KNOCKOUTS TYPICAL ON OPPOSITE SIDES

Splitter Boxes

3 Wire	Part Number			Optional Grounding Kit	CU/AL Amps	Dimensions				Conduit Size (Location)				
	4 Wire	Less Blocks	CSB70			A	B	C	D	E	F	G	1/2"-3/4"	3/4"-1"
CSB73	CSB74	CSB70	CGK125	70/70	12	10	4	2.75	2.25	9.00	7.00	1,3,7	2,4	-
CSB103	CSB104	CSB100	CGK125	125/120	15	10	4	2.75	2.25	12.00	7.00	1,3,7	2,4	-
CSB203	CSB204	CSB200	CGK225	225/225	18	12	5	3.00	3.50	15.00	9.00	1,3,7	4	1,3
CSB403	CSB404	CSB400	CGK400	400/340	24	17	6	3.31	4.88	21.00	14.00	-	-	-
CSB603*	CSB604*	CSB600*	CGK600	600/574	30	24	7	4.00	5.00	27.00	21.00	-	-	-

* 14 gauge steel

Splitter Boxes

NEMA 3R, 12, 4

**Inner
Panel
Included**



Commercial Enclosures

Application

- The splitter boxes are designed for distribution of up to 600 V (max) service using either 3 or 4 wires.

Standards

- CSA Type 3R, 12, 4
- **Complies with**
 - IEC 60529, IP66

Construction

- Formed 14 and 16 gauge steel.
- Factory installed splitter blocks.
- Smooth, continuously welded seams ground smooth.
- Door stiffeners are provided where required for increased strength and rigidity - designed to also permit additional mounting options.
- Formed lip on enclosure to exclude flowing liquids and contaminants.
- Door latches feature the added safety of quarter turn slot requiring use of tool for opening.
- Doors may be easily removed for modifications and are interchangeable.
- Seamless poured-in place gasket.
- Collar studs provided for mounting inner panel.
- Includes hardware kit with panel mounting nuts and sealing washers for wall mounting holes.
- Hinges are constructed from 304 stainless steel.
- Hinge pins are stainless steel.
- Inner panel is included.

Finish

- Cover and enclosure are finished in recoatable smooth ANSI 61 gray powder coating.
- Inner panel is finished in white powder coating.

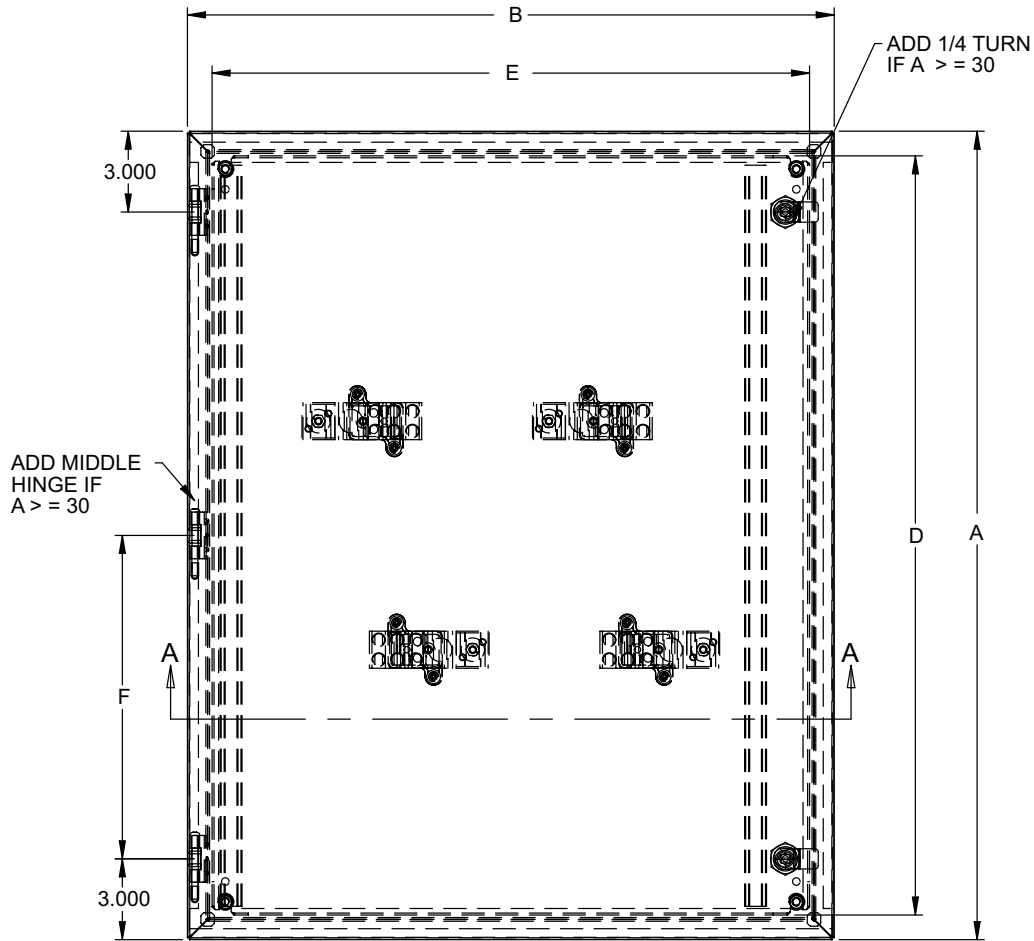
Accessories

- Quarter turn inserts and keys
...see page **31**
- Mounting foot kit...see page **31**
- Rear hole plugs...see page **32**
- Replacement hinge pins...see page **29**
- Replacement quarter turn assemblies...see page **31**
- Touch up paint...see page **455**
- Padlock adaptor...see page **434**

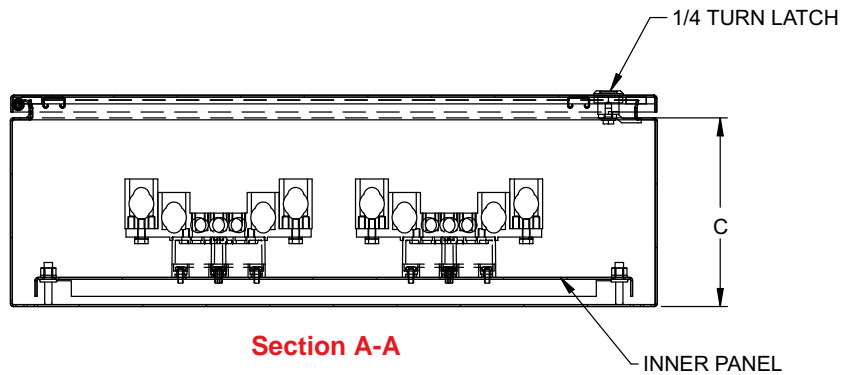
Splitter Boxes

Splitter Boxes

NEMA 3R, 12, 4



Front View



Section A-A

Part Number		Door/Body Gauge	Optional Grounding Kit	CU/AL Amps	Dimensions						# of Latches	# of Hinges
3 Wire	4 Wire				A	B	C	D	E	F		
CN4SB73	CN4SB74	16	CGK125	70/70	12	10	5	10.17	8.17	N/A	1	2
CN4SB103	CN4SB104	16	CGK125	125/120	15	10	5	13.17	8.17	N/A	1	2
CN4SB203	CN4SB204	16	CGK225	225/225	18	12	5	16.17	10.17	N/A	1	2
CN4SB403	CN4SB404	16	CGK400	400/340	24	17	6	22.17	15.17	N/A	1	2
CN4SB603	CN4SB604	14	CGK600	600/574	30	24	7	28.17	22.17	12.00	2	3

* 14 gauge steel

Technical references and CAD downloads available at www.hammondmfg.com

All dimensions in inches unless specified otherwise

Commercial Enclosures

Splitter Boxes

Splitter Troughs

NEMA 1



Commercial Enclosures

Application

- The splitter troughs are designed for distribution of up to 600 V (max) service using either 3 or 4 wires.

Standards

- CSA Certified
- **Complies with**
 - IEC 60529, IP20

Construction

- Formed and spot welded from 14 or 16 gauge steel.
- Factory installed splitter blocks.
- Series of knockouts on each side.
- Padlocking hasp.

Finish

- Cover and enclosure are finished in recoatable smooth ANSI 61 gray powder coating.

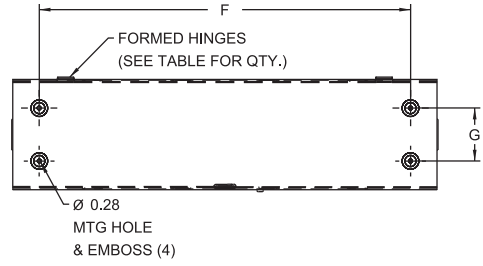
3 Wire	Part Number		CU/AL Amps	Dimensions			Ship Wt.lbs
	4 Wire	Less Blocks		H	W	D	
CST273	CST274	-	70/70	24	6	4	12
CST373	CST374	-	70/70	36	6	4	17
CST473	CST474	-	70/70	48	6	4	21
CST2103	CST2104	CST2100	125/120	24	6	4	12
CST3103	CST3104	CST3100	125/120	36	6	4	17
CST4103	CST4104	CST4100	125/120	48	6	4	21
CST6103*	CST6104*	CST6100	125/120	72	8	5	39
CST2203*	-	CST2200	225/225	24	8	5	16
CST3203*	CST3204*	CST3200*	225/225	36	8	5	22
CST4203*	CST4204*	CST4200*	225/225	48	8	5	27
CST5203*	CST5204*	CST5200*	225/225	60	8	5	33
CST6203*	CST6204*	-	225/225	72	8	5	39
CST3403*	-	CST3400*	400/340	36	10	6	35
CST4403*	CST4404*	CST4400*	400/340	48	10	6	45
CST5403*	CST5404*	CST5400*	400/340	60	10	6	58
CST6403*	CST6404*	CST6400*	400/340	72	10	6	62
CST4603*	CST4604*	-	600/574	48	10	6	45
CST5603*	CST5604*	-	600/574	60	10	6	58
CST6603*	CST6604*	-	600/574	72	10	6	62

* 14 gauge steel

Splitter Trough

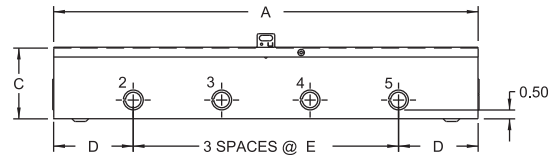
Splitter Troughs

NEMA 1

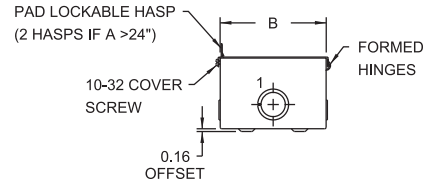


Top View

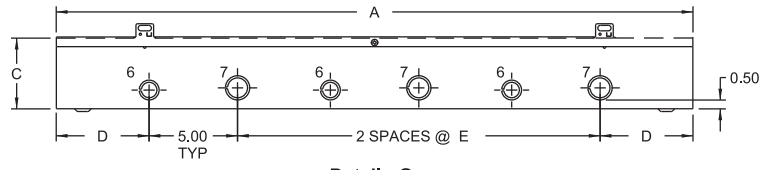
NOTE: KNOCKOUTS TYPICAL ON OPPOSITE SIDES



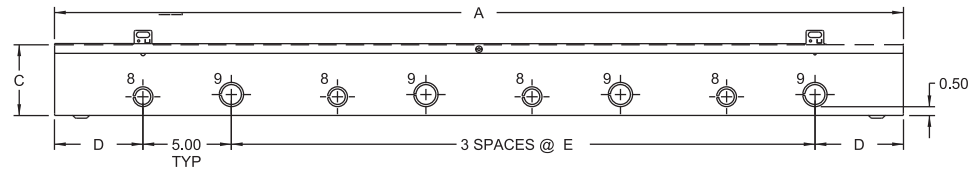
Detail - F



End View



Detail - G



Detail - H

3 Wire	Part Number		Optional Less Blocks Grounding Kit	CU/AL Amps	Dimensions							Conduit Size (Location)				
	4 Wire				A	B	C	D	E	F	G	Detail	1/2"-3/4"	3/4"-1"	1"-1 1/4"	2"-2 1/2"
CST273	CST274	-	CGK225	70/70	24	6	4	4.50	5.00	21.00	3.00	F	2,3,4,5	-	1	-
CST373	CST374	-	CGK225	70/70	36	6	4	7.50	7.00	33.00	3.00	F	2,3,4,5	-	1	-
CST473	CST474	-	CGK225	70/70	48	6	4	7.50	11.00	45.00	3.00	F	2,3,4,5	-	1	-
CST2103	CST2104	CST2100	CGK225	125/120	24	6	4	4.50	5.00	21.00	3.00	F	2,3,4,5	-	1	-
CST3103	CST3104	CST3100	CGK225	125/120	36	6	4	7.50	7.00	33.00	3.00	F	2,3,4,5	-	1	-
CST4103	CST4104	CST4100	CGK225	125/120	48	6	4	7.50	11.00	45.00	3.00	F	2,3,4,5	-	1	-
CST6103*	CST6104*	CST6100	CGK225	125/120	72	8	5	5.25	10.25	69.00	5.00	H	8	9	1	-
CST2203*	-	CST2200	CGK225	225/225	24	8	5	4.50	5.00	21.00	5.00	F	2,4	3,5	-	1
CST3203*	CST3204*	CST3200*	CGK225	225/225	36	8	5	5.25	10.25	33.00	5.00	G	6	7	-	1
CST4203*	CST4204*	CST4200*	CGK225	225/225	48	8	5	5.00	11.00	45.00	5.00	H	8	9	-	1
CST5203*	CST5204*	CST5200*	CGK225	225/225	60	8	5	5.00	15.00	57.00	5.00	H	8	9	-	1
CST6203*	CST6204*	-	CGK225	225/225	72	8	5	5.00	19.00	69.00	5.00	H	8	9	-	1
CST3403*	-	CST3400*	CGK400	400/340	36	10	6	5.25	10.25	33.00	7.00	G	6	7	-	-
CST4403*	CST4404*	CST4400*	CGK400	400/340	48	10	6	5.00	11.00	45.00	7.00	H	8	9	-	-
CST5403*	CST5404*	CST5400*	CGK400	400/340	60	10	6	5.00	15.00	57.00	7.00	H	8	9	-	-
CST6403*	CST6404*	CST6400*	CGK400	400/340	72	10	6	5.00	19.00	69.00	7.00	H	8	9	-	-
CST4603*	CST4604*	-	CGK400	600/574	48	10	6	5.00	11.00	45.00	7.00	H	8	9	-	-
CST5603*	CST5604*	-	CGK400	600/574	60	10	6	5.00	15.00	57.00	7.00	H	8	9	-	-
CST6603*	CST6604*	-	CGK400	600/574	72	10	6	5.00	19.00	69.00	7.00	H	8	9	-	-

* 14 gauge steel

Technical references and CAD downloads available at www.hammondmfg.com

All dimensions in inches unless specified otherwise

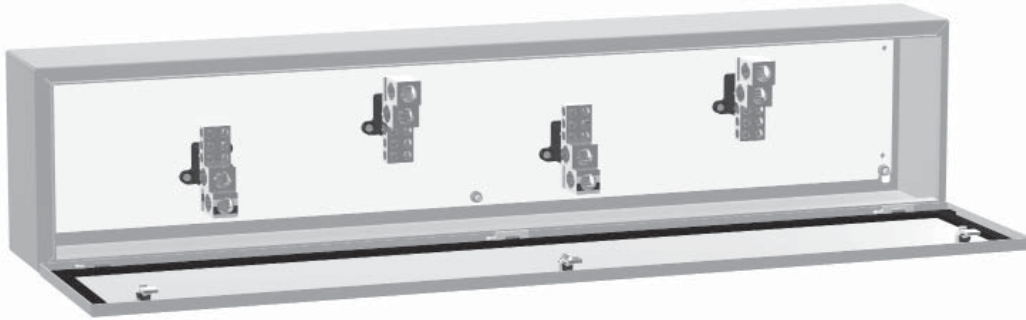
Quality Products. Service Excellence.

Commercial Enclosures

Splitter Trough

Splitter Troughs

NEMA 3R, 12, 4



**Inner
Panel
Included**



Commercial Enclosures

Application

- The splitter troughs are designed for distribution of up to 600 V (max) service using either 3 or 4 wires.

Standards

- CSA Certified Type 3R, 12, 4
- **Complies with**
 - IEC 60529, IP66

Construction

- Formed 14 and 16 gauge steel.
- Factory installed splitter blocks.
- Smooth, continuously welded seams ground smooth.
- Door stiffeners are provided where required for increased strength and rigidity - designed to also permit additional mounting options.
- Formed lip on enclosure to exclude flowing liquids and contaminants.
- Door latches feature the added safety of quarter turn slot requiring use of tool for opening.
- Doors may be easily removed for modifications and are interchangeable.
- Seamless poured-in place gasket.
- Collar studs provided for mounting inner panel.
- Includes hardware kit with panel mounting nuts and sealing washers for wall mounting holes.
- Hinges are constructed from 304 stainless steel.
- Hinge pins are stainless steel.
- Inner panel is included.

Finish

- Cover and enclosure are finished in recoatable smooth ANSI 61 gray powder coating.
- Inner panel is finished in white powder coating.

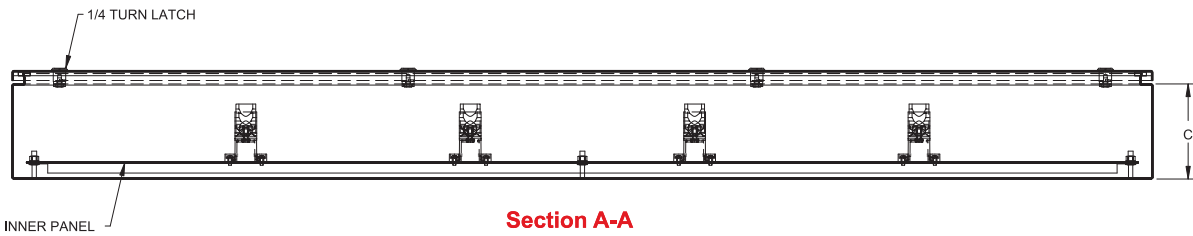
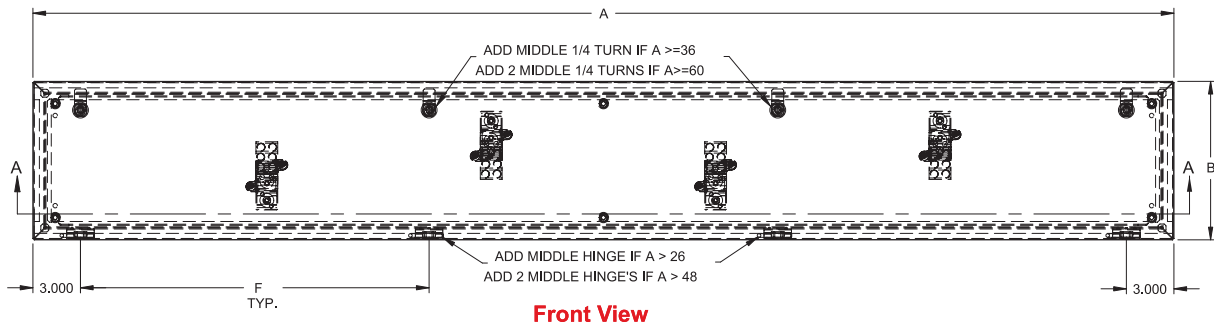
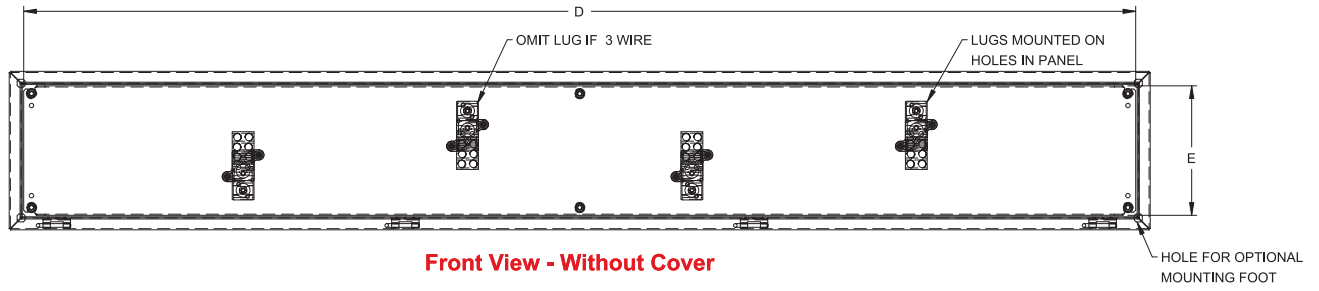
Accessories

- Quarter turn inserts and keys
...see page **31**
- Mounting foot kit...see page **31**
- Rear hole plugs...see page **32**
- Replacement hinge pins...see page **29**
- Replacement quarter turn assemblies...see page **31**
- Touch up paint...see page **455**
- Padlock adaptor...see page **434**

Splitter Trough

Splitter Troughs

NEMA 3R, 12, 4



Commercial Enclosures

Splitter Trough

Part Number		Gauge	Optional Grounding Kit	CU/AL Amps	Dimensions			D	E	F	# Latches	# Hinges
3 Wire	4 Wire				A	B	C					
CN4ST273	CN4ST274	16	CGK225	70/70	24	6	5	22.17	4.17	N/A	2	2
CN4ST373	CN4ST374	16	CGK225	70/70	36	6	5	34.17	4.17	15	2	3
CN4ST473	CN4ST474	16	CGK225	70/70	48	6	5	46.17	4.17	15	3	3
CN4ST2103	CN4ST2104	16	CGK225	125/120	24	6	5	22.17	4.17	N/A	2	2
CN4ST3103	CN4ST3104	16	CGK225	125/120	36	6	5	34.17	4.17	15	2	3
CN4ST4103	CN4ST4104	16	CGK225	125/120	48	6	5	46.17	4.17	21	3	3
CN4ST6103	CN4ST6104	14	CGK225	125/120	72	8	6	70.17	6.17	21	4	4
CN4ST2203	-	14	CGK225	225/225	24	8	5	22.17	6.17	N/A	2	2
CN4ST3203	CN4ST3204	14	CGK225	225/225	36	8	6	34.17	6.17	15	2	3
CN4ST4203	CN4ST4204	14	CGK225	225/225	48	8	6	46.17	6.17	21	3	3
CN4ST5203	CN4ST5204	14	CGK225	225/225	60	8	6	58.17	6.17	18	4	4
CN4ST6203	CN4ST6204	14	CGK225	225/225	72	8	6	70.17	6.17	22	4	4
CN4ST3403	-	14	CGK400	400/340	36	10	6	34.17	8.17	15	2	3
CN4ST4403	CN4ST4404	14	CGK400	400/340	48	10	6	46.17	8.17	21	3	3
CN4ST5403	CN4ST5404	14	CGK400	400/340	60	10	6	58.17	8.17	21	4	4
CN4ST6403	CN4ST6404	14	CGK400	400/340	72	10	6	70.17	8.17	22	4	4
CN4ST4603	CN4ST4604	14	CGK400	600/574	48	10	6	46.17	8.17	21	3	3
CN4ST5603	CN4ST5604	14	CGK400	600/574	60	10	6	58.17	8.17	18	4	4
CN4ST6603	CN4ST6604	14	CGK400	600/574	72	10	6	70.17	8.17	22	4	4

Technical references and CAD downloads available at www.hammondmfg.com

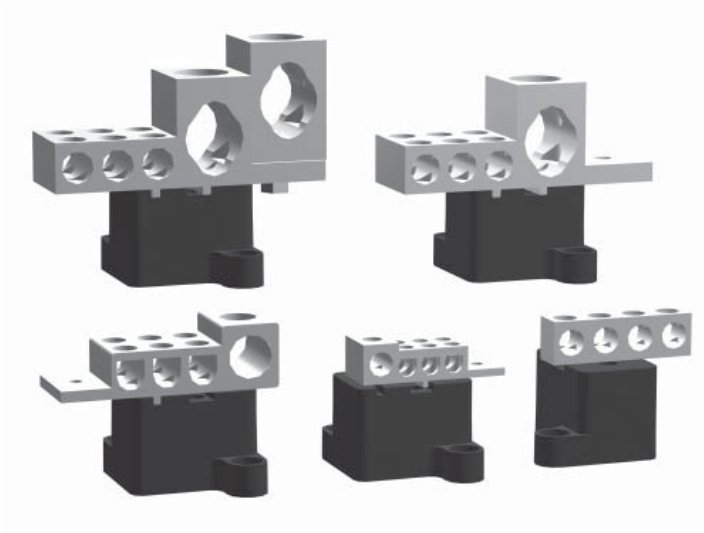
All dimensions in inches unless specified otherwise

Quality Products. Service Excellence.

Splitter Blocks



Commercial Enclosures



Application

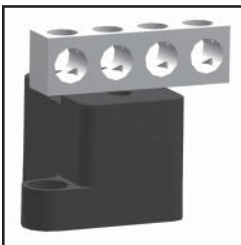
- These blocks are used in Hammond standard splitter troughs and boxes.
- The design includes the main and branch lugs which can use either copper or aluminum conductors.
- All blocks are rated 600 V.

Standards

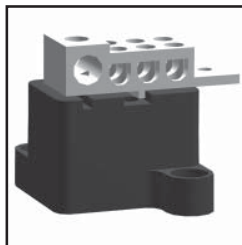
- CSA Certified

Construction

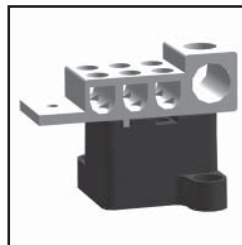
- Cu-Al monopiece connectors are secured to insulators.
- Each block includes a main lug and branch lugs.



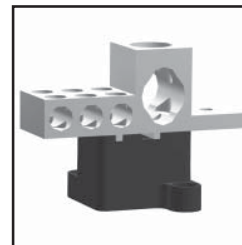
CSBL125B



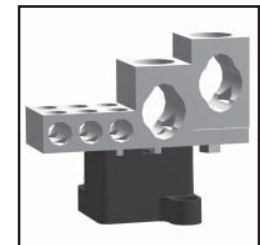
CSBL125T



CSBL225



CSBL400



CSBL600

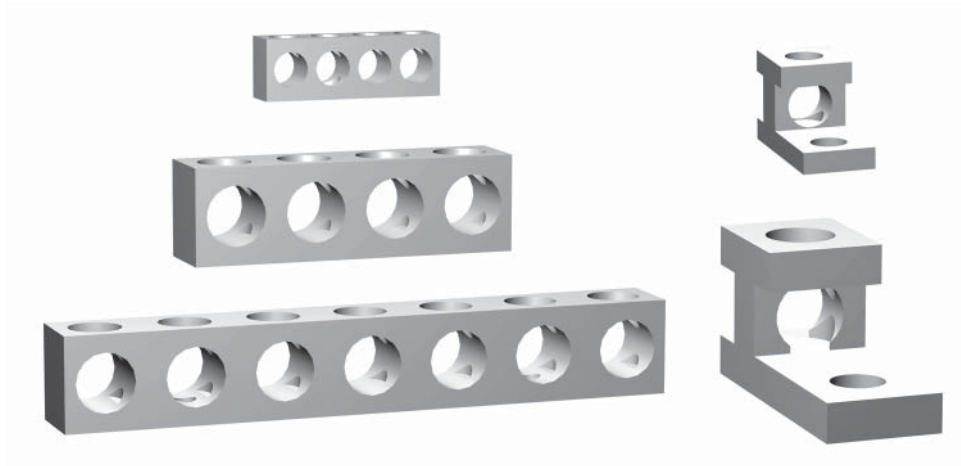
Splitter Boxes

Part No.	Main Lug Ampacity	Max./Min. Wire Capacity	Branch Lugs Ampacity	Max./Min. Wire Capacity	Ship Wt lbs
CSBL125B	125	1/0 - 14	3/70	3 x (2-14)	1
CSBL125T	125	1/0 - 14	6/70	6 x (2-14)	1
CSBL225	225	300MCM - 6	6/125	6 x (2/0-14)	1
CSBL400	400	600MCM - 4 or 2 (x) 250 MCM - 1/0	6/200	6 x (3/0 - 14)	1
CSBL600	600	(2x) 600MCM - 4 or (4x) 250MCM - 1/0	6/200	6 x (3/0-14)	1

Technical references and CAD downloads available at www.hammondmfg.com

All dimensions in inches unless specified otherwise

Grounding Kits



Commercial Enclosures

Application

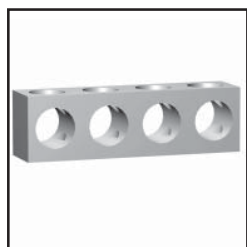
- Designed for use with aluminum and copper conductors.

Standards

- CSA Certified

Construction

- Lugs are constructed from high strength, high conductive aluminum alloy 6061-T6, rated at 90°C
- Kits are supplied with all necessary mounting hardware.



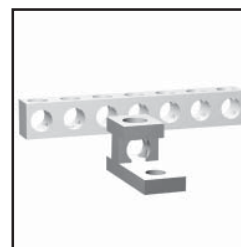
CGK125



CGK225



CGK400



CGK600



CGK

Splitter Boxes

Part No.	Application	Number of Circuits and Wire Sizes
CGK125	Splitter Box 70 A, 125 A	4 x (2-14 CU-AL)
CGK225	Splitter Box 225 A/Trough 70 A, 125A, 225 A	7 x (2-14 CU-AL)
CGK400	Splitter Box/Trough 400 A	7 x (2-14 CU-AL) & 1 x (1/0-14 CU-AL)
CGK600	Splitter Box/Trough 600 A	7 x (2-14 CU-AL) & 1 x (300 MCM - 6 CU-AL)
CGK	Junction/Pull Box	3 x (4-14 CU-AL)

Metering Cabinets

NEMA 1

Commercial Enclosures


**Inner
Panel
Included**



Application

- Designed for indoor housing of metering transformers.

Standards

- CSA Type 1
- **Complies with**
 - IEC 60529, IP20

Construction

- Formed and spot welded from 14 or 16 gauge steel.
- Spot welded construction and formed edges.
- Removable inner panel.
- Hinged covers.
- 2 cutouts in top of each cabinet with metering plates included.

Finish

- Enclosure and cover are finished in ANSI 61 gray inside and out.
- Inner panel is finished in white powder coating

Metering Cabinets

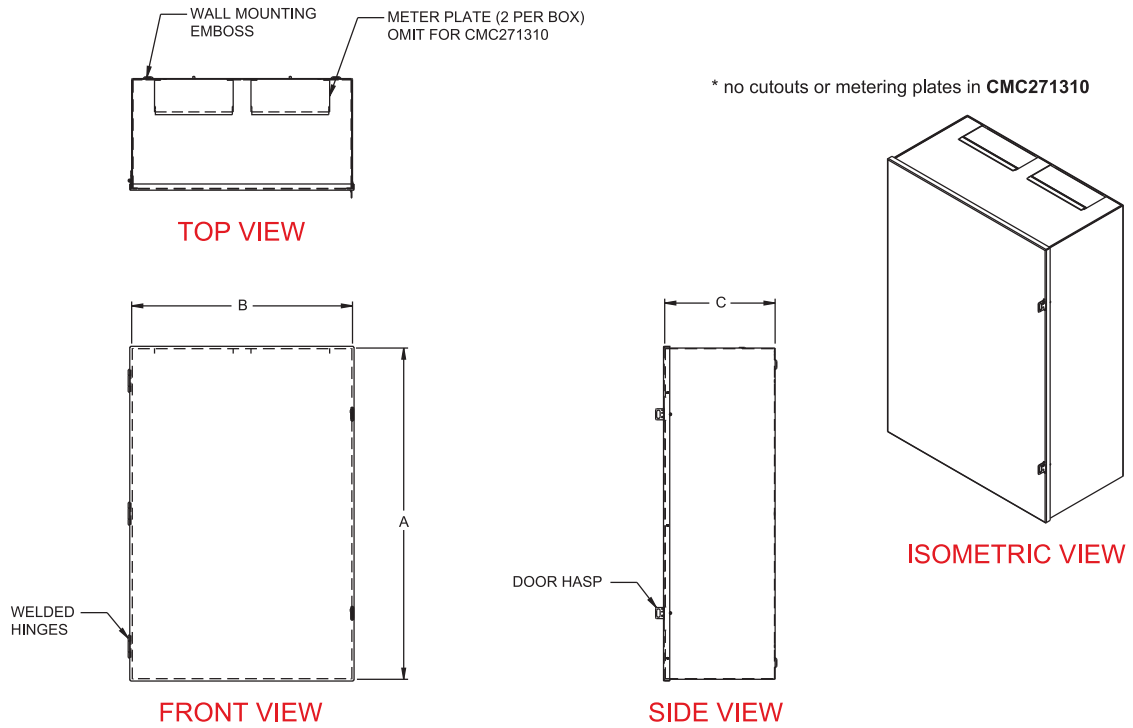
Part No.	Dimensions			Panel Dimensions	Type of Door	Latch Type	Latch Qty	Metering Plates	Ship Wt. lbs.
	A	B	C						
CMC202010	20	20	10	16 x 16	Single	Hasp	2	2	42
CMC271310*	27	13	10	23 x 9	Single	Hasp	2	0	38
CMC302010	30	20	10	26 x 16	Single	Hasp	2	2	69
CMC303010	30	30	10	26 x 26	Double	2 Hasp + Quarter Turn	3	2	92
CMC363612	36	36	12	32 x 32	Double	2 Hasp + Quarter Turn	3	2	131
CMC484812	48	48	12	44 x 44	Double	2 Hasp + Quarter Turn	3	2	210

* no cutouts in top or metering plates

Metering Cabinets

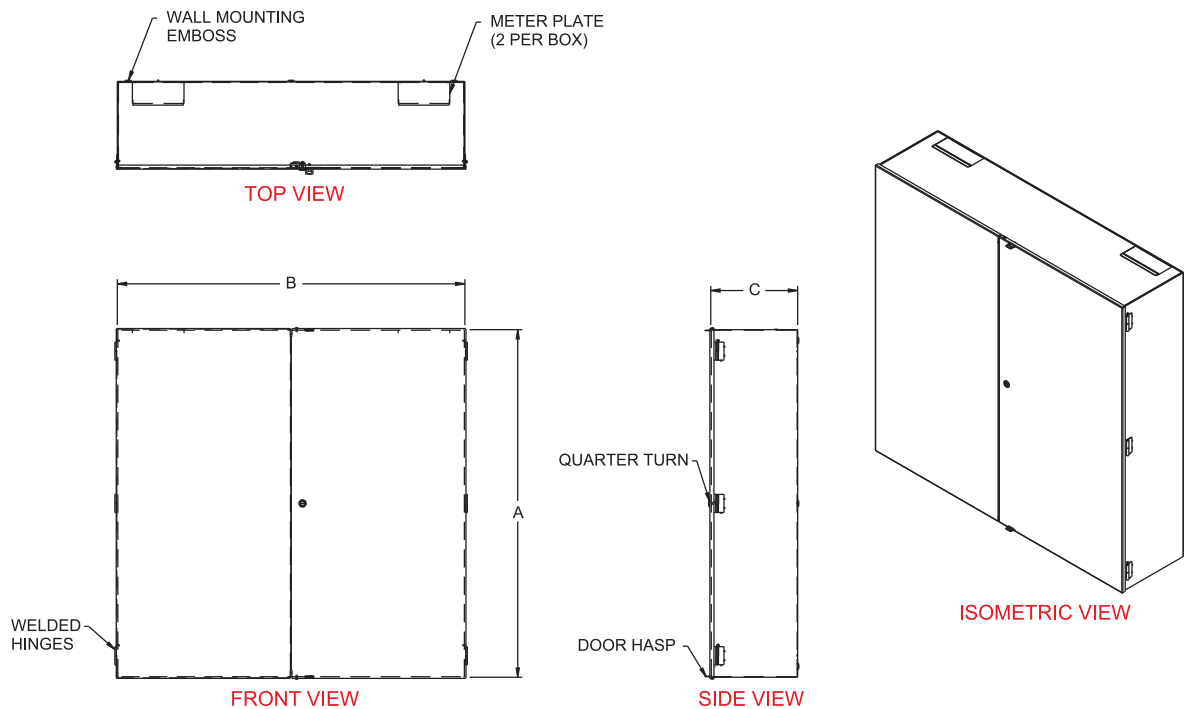
NEMA 1

Single Door



Commercial Enclosures

Double Door



Metering Cabinets

Hydro-Quebec Metering Cabinets

NEMA 1

Commercial Enclosures


**Inner
Panel
Included**



Application

- Designed for indoor housing of metering transformers per Hydro Quebec specifications.

Standards

- CSA Approved
- **Complies with**
 - IEC 60529, IP20

Construction

- Formed and spot welded from 14 or 16 gauge steel.
- Spot welded construction and formed edges.
- Removable inner panels.
- Hinged covers.
- 2 cutouts in top of each cabinet with metering plates included.

Finish

- Enclosure and cover are finished in ANSI 61 gray inside and out.
- Inner panel is finished in ANSI 6061 gray powder coating

Cabinet Catalog Numbers

Part Number	Dimensions			
	A	B	C	Gauge
CMCQ303010	30	30	10	16
CMCQ363612	36	36	12	14
CMCQ484812	48	48	12	14

Panel Catalog Numbers

Panel Part Number	Description	Dimensions	
		D	E
CMCQP1	Accessory Plate	24.685	7.000
CMCQP2	Universal Support Current Panel	12.756	13.386
CMCQP3	Universal Support Voltage Panel	25.591	15.006

Panel Selection Guide

Enclosure	Panel supplied with enclosure			Panel capacity per enclosure		
	CMCQP1	CMCQP2	CMCQP3	CMCQP1	CMCQP2	CMCQP3
CMCQ303010	1	1	1	1	1	1
CMCQ363612	1	1	1	2	1	1
CMCQ484812	1	1	1	2	2	1

 Technical references and CAD downloads available at www.hammondmfg.com

All dimensions in inches unless specified otherwise

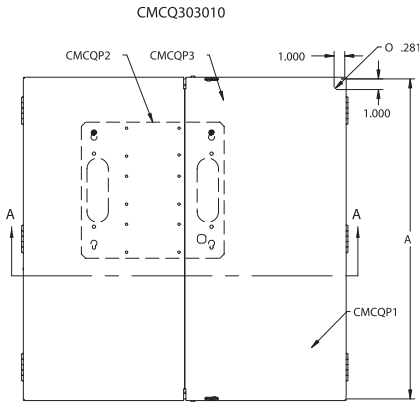
Metering Cabinets

Hydro-Quebec Metering Cabinets

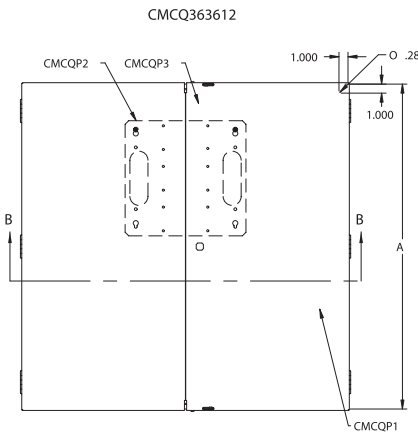
NEMA 1

Commercial Enclosures

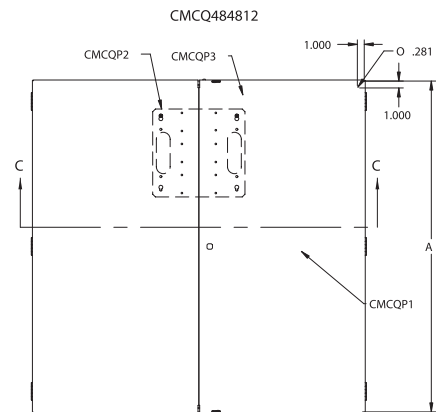
Metering Cabinets



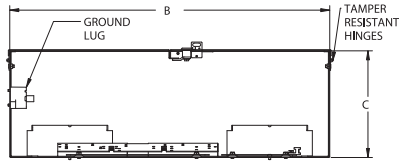
FRONT VIEW - DOORS REMOVED



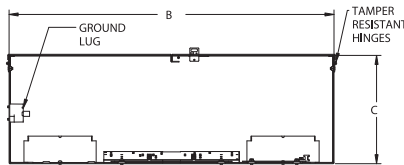
FRONT VIEW - DOORS REMOVED



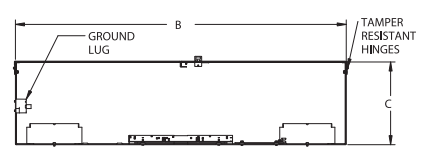
FRONT VIEW - DOORS REMOVED



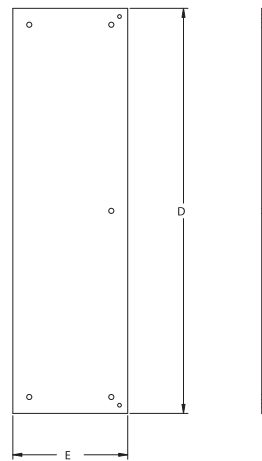
SECTION A-A



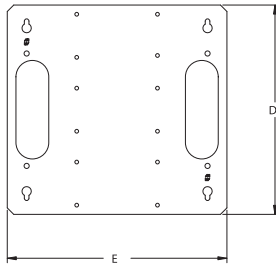
SECTION B-B



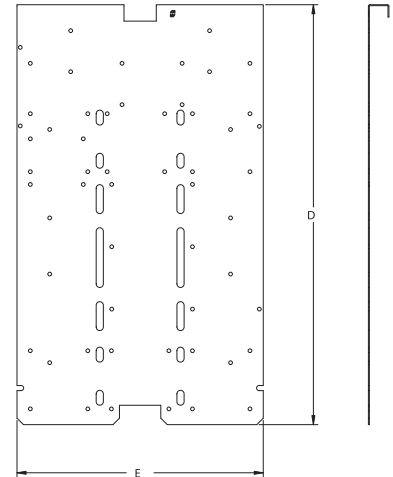
SECTION C-C



**CMCQP1
ACCESSORY PLATE**



**CMCQP2
UNIVERSAL SUPPORT CURRENT
PANEL**



**CMCQP3
UNIVERSAL SUPPORT VOLTAGE
PANEL**

Ontario Hydro Meter Cabinet

NEMA 1

**Inner
Panel
Included**

Commercial Enclosures



Application

- Designed for certain specific Ontario metering applications.

Construction

- Spot welded 16 gauge steel construction.
- Heavy duty padlockable "L" handle.
- Viewing window with removable cover plate.
- Pre-mounted ground lug.
- Inner panel with pre-drilled holes and mounting bracket.
- Oil resistant gasket.

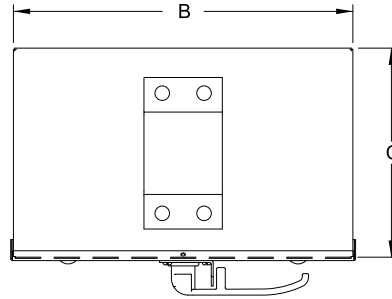
Finish

- Enclosure and cover are finished in ANSI 61 gray inside and out.
- Inner panel is finished in ANSI 61 gray powder coating.

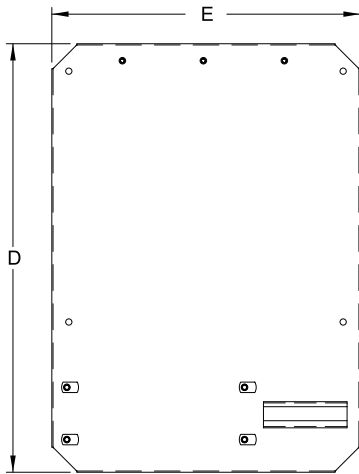
Part Number	Dimensions			Panel Size		Viewing Area		Ship Wt. (lbs)
	A	B	C	D	E	G	H	
CMCO241610	24.00	16.00	10.00	20.50	14.75	4.75	9.00	38

Metering Cabinets

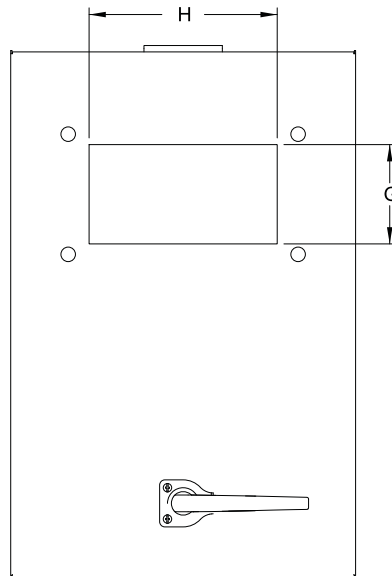
Ontario Hydro Meter Cabinet
NEMA 1



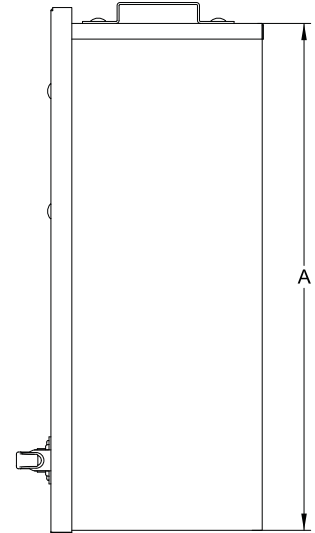
Top View



Inner Panel



Front View



Side View

Commercial Enclosures

Metering Cabinets

Metering Cabinets

NEMA 3R

Commercial Enclosures



**Inner
Panel
Included**



Application

- Designed for outdoor housing of metering transformers.

Standards

- CSA Approved, Type 3R
- **Complies with**
 - NEMA Type 3R
 - IEC 60529, IP24

Construction

- Formed and seam welded from 14 or 16 gauge steel.
- Smooth, continuously welded seams ground smooth.
- Formed lip on enclosure to exclude flowing liquids and contaminants.
- Padlockable “L” style handle.
- Oil resistant gaskets are permanently secured.
- Removable inner panel included.
- Collar studs provided for mounting inner panel.
- Doors may be easily removed for modifications and are interchangeable.
- Bonding stud provided on door and grounding stud installed in enclosure.
- Hinges are constructed from 304 stainless steel.
- Hinge pins are stainless steel.

Finish

- Cover and enclosure are phosphatized and finished with a recoatable ANSI 61 smooth Gray powder inside and out.
- Removable inner panel is finished in white powder coating.

Accessories

- Door stop kit
- Drip shield kits
- Mounting Foot Kit

Part No.	Overall Dimensions			Panel Dimensions		Type of Door	Ship Wt. lbs
	A	B	C	D	E		
C3RMC202010	20	20	10	18.17	18.17	Single	42
C3RMC271310	27	13	10	25.17	11.17	Single	38
C3RMC302010	30	20	10	28.17	18.17	Single	69
C3RMC303010	30	30	10	28.17	28.17	Double	92
C3RMC363612	36	36	12	34.17	34.17	Double	131
C3RMC484812	48	48	12	46.17	46.17	Double	210

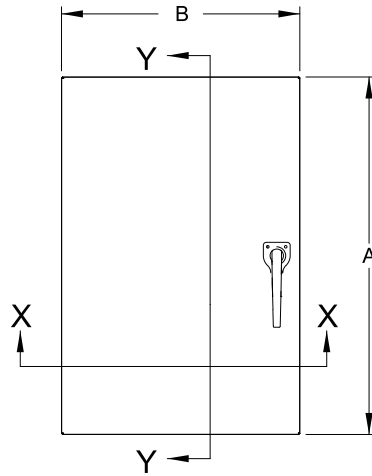
Technical references and CAD downloads available at www.hammondmfg.com

All dimensions in inches unless specified otherwise

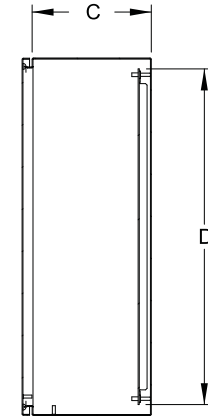
Metering Cabinets

Metering Cabinets
NEMA 3R

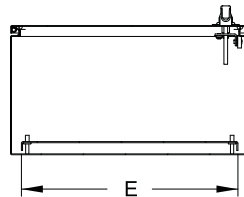
Single Door



Front View

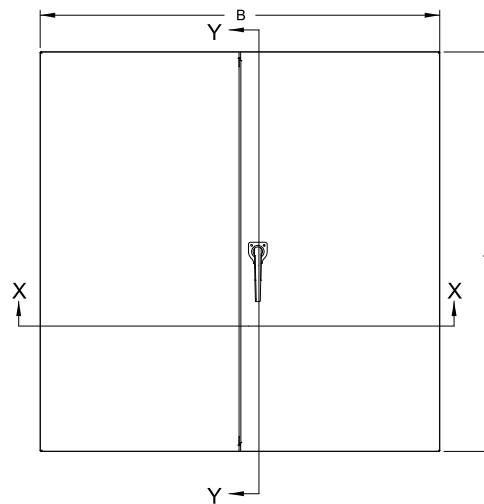


Section Y-Y

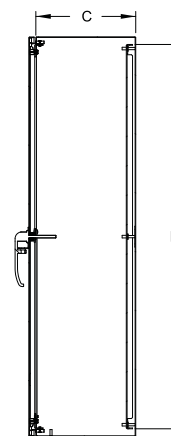


Section X-X

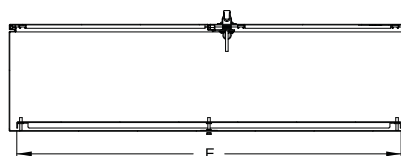
Double Door



Front View



Section Y-Y



Section X-X

Commercial Enclosures

Metering Cabinets

N1J Series Panel Enclosure

NEMA 1

Commercial Enclosures



**Inner
Panel
Included**



Application

- Designed for indoor use to house controls, instruments and components not requiring oil-tight or dust-tight protection.

Standards

- UL-50 Type 1
- CSA Type 1
- **Complies with**
 - NEMA Type 1
 - IEC 60529, IP20

Construction

- Formed and spot welded from 16 gauge steel.
- Formed steel covers close by use of slotted quarter turn latch.
- Full swing door using butt hinges.
- Through holes in back for wall mounting.
- Bonding stud is provided on the door and a grounding stud is provided on the box.
- Includes 14 gauge steel inner panel.

Finish

- Enclosure and cover are finished in ANSI 61 gray powder coating.
- Inner panel is finished in white powder coating

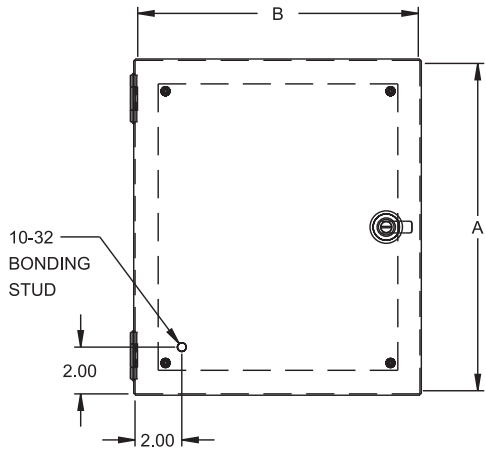
Accessories

- N1JLK Lock Kit...see page **431**

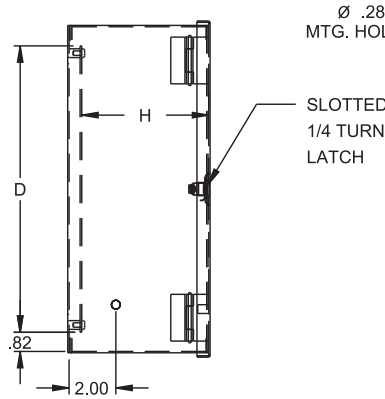
Panel Enclosures

N1J Series Panel Enclosure

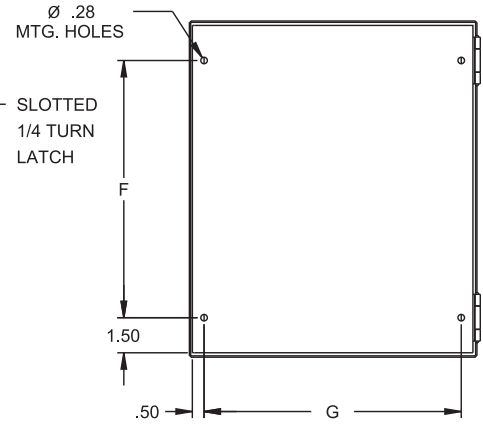
NEMA 1



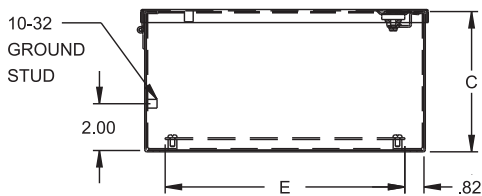
Front View



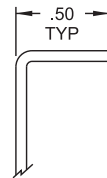
Side View



Back View



Bottom View



**Body Flange
Detail**

Commercial Enclosures

Part No.	Overall Dimensions			Panel Size		Centers			Ship Wt. lbs.
	A	B	C	D	E	F	G	H	
N1J664	6	6	4	4.25	4.25	3.00	5.00	3.43	5
N1J864	8	6	4	6.25	4.25	5.00	5.00	3.43	6
N1J884	8	8	4	6.25	6.25	5.00	7.00	3.43	7
N1J1084	10	8	4	8.25	6.25	7.00	7.00	3.43	8
N1J10104	10	10	4	8.25	8.25	7.00	9.00	3.43	9
N1J12104	12	10	4	10.25	8.25	9.00	9.00	3.43	11
N1J12124	12	12	4	10.25	10.25	9.00	11.00	3.43	13
N1J14124	14	12	4	12.25	10.25	11.00	11.00	3.43	14
N1J886	8	8	6	6.25	6.25	5.00	7.00	5.43	7
N1J1086	10	8	6	8.25	6.25	7.00	7.00	5.43	10
N1J10106	10	10	6	8.25	8.25	7.00	9.00	5.43	11
N1J12106	12	10	6	10.25	8.25	9.00	9.00	5.43	12
N1J12126	12	12	6	10.25	10.25	9.00	11.00	5.43	15
N1J14126	14	12	6	12.25	10.25	11.00	11.00	5.43	16
N1J16126	16	12	6	14.25	10.25	13.00	11.00	5.43	16
N1J20126	20	12	6	18.25	10.25	17.00	11.00	5.43	22
N1J12128	12	12	8	10.25	10.25	9.00	11.00	7.43	17
N1J14128	14	12	8	12.25	10.25	11.00	11.00	7.43	18

Panel Enclosures

N1A Series Panel Enclosure

Non-Ventilated - NEMA 1

Commercial Enclosures



Inner
Panel
Included



Application

- Designed for indoor use to house controls, instruments and components not requiring oil-tight or dust-tight protection.

Standards

- UL 50 Type 1
- CSA Type 1
- **Complies with**
 - NEMA Type 1
 - IEC 60529, IP20

Construction

- Enclosure is formed and spot welded from 12 or 14 gauge steel.
- Removable 12 or 14 gauge inner panel is mounted in the rear of the enclosure on collar studs.
- Removable door is mounted on slip hinges.
- Door is fastened with a slotted quarter turn latch; doors 30" and higher are provided with two latches.
- A bonding stud is provided on the door and a grounding stud is provided in the box.
- Mounting holes are provided in the rear of the enclosure.
- Piano hinge on 12 gauge units

Finish

- Enclosure and door are finished in ANSI 61 gray powder coating.
- Inner panel is finished in white powder coating.

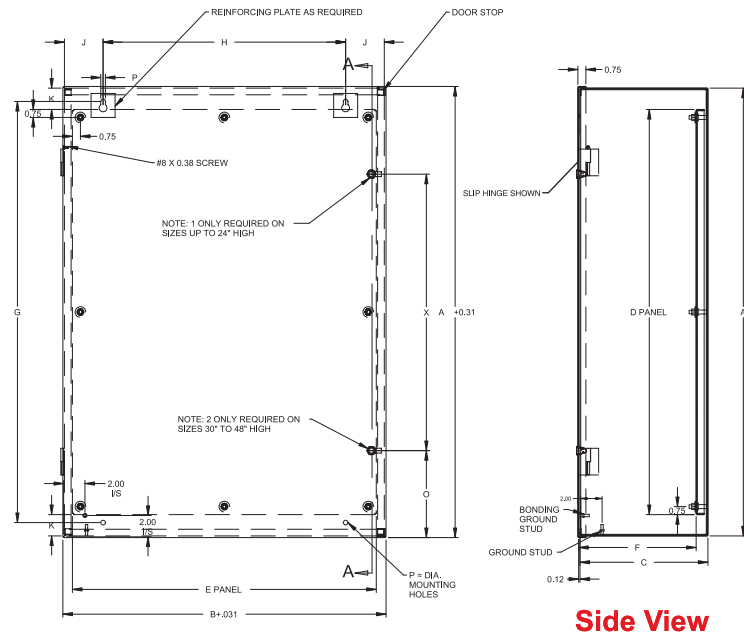
Accessories

- Additional inner panels...see page **438**
- Lock kit for NEMA 1 enclosures (Part No. **1427LKN1**)...see page **431**
- Louvered ventilating plates
...see page **402**
- Window kits...see page **449**
- Padlock Adaptor...see page **435**

Panel Enclosures

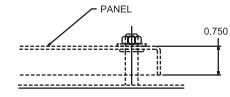
N1A Series Panel Enclosure

Non-Ventilated - NEMA 1

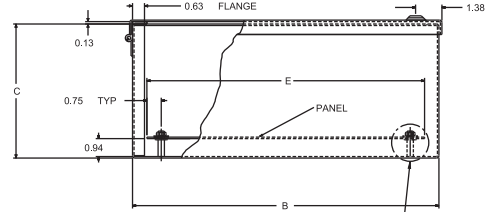


Front View

Side View



Detail A
Typ. for N1A423012,
N1A423612
and N1A483612



Bottom View

SEE DETAIL A FOR LARGER PANEL EXCEPTIONS

When A=	X=
30	18.00
36	22.00
42	26.00
48	30.00

Part No.	Dimensions			Panel Size		Panel Gauge	No. of Studs	Mounting Dimensions					Panel Clearance			Ship Wt. lbs
	A	B	C	D	E			G	H	J	Q	P	F	K	O	
N1A16127	16	12	7	13	10.50	14	4	13.88	7.00	2.50	1.06	0.31	6.04	1.5	—	25
N1A16167	16	16	7	13	14.50	14	4	13.88	11.00	2.50	1.06	0.31	6.04	1.5	—	30
N1A16207	16	20	7	13	18.50	14	4	13.88	15.00	2.50	1.06	0.31	6.04	1.5	—	36
N1A20167	20	16	7	17	14.50	14	4	17.88	11.00	2.50	1.06	0.31	6.04	1.5	—	37
N1A20207	20	20	7	17	18.50	14	4	17.88	15.00	2.50	1.06	0.31	6.04	1.5	—	43
N1A24167	24	16	7	21	14.50	14	4	21.88	11.00	2.50	1.06	0.31	6.04	1.5	—	43
N1A24207	24	20	7	21	18.50	14	4	21.88	15.00	2.50	1.06	0.31	6.04	1.5	—	51
N1A24247	24	24	7	21	22.50	12	4	21.88	19.00	2.50	1.06	0.31	6.01	1.5	—	67
N1A30207	30	20	7	26	18.50	12	6	27.50	12.75	3.63	1.25	0.44	6.01	2.0	6.16	67
N1A30247	30	24	7	26	22.50	12	6	27.50	16.75	3.63	1.25	0.44	6.01	2.0	6.16	80
N1A36247	36	24	7	32	22.50	12	6	33.50	16.75	3.63	1.25	0.44	6.01	2.0	7.16	94
N1A36307	36	30	7	32	28.50	12	8	33.50	22.75	3.63	1.25	0.44	6.01	2.0	7.16	114
N1A16129	16	12	9	13	10.50	14	4	13.88	7.00	2.50	1.06	0.31	8.04	1.5	—	27
N1A20169	20	16	9	17	14.50	14	4	17.88	11.00	2.50	1.06	0.31	8.04	1.5	—	31
N1A20209	20	20	9	17	18.50	14	4	17.88	15.00	2.50	1.06	0.31	8.04	1.5	—	47
N1A20249	20	24	9	17	22.50	14	4	17.88	19.00	2.50	1.06	0.31	8.04	1.5	—	55
N1A24209	24	20	9	21	18.50	14	4	21.88	15.00	2.50	1.06	0.31	8.04	1.5	—	55
N1A24249	24	24	9	21	22.50	12	4	21.88	19.00	2.50	1.06	0.31	8.01	1.5	—	125
N1A30209	30	20	9	26	18.50	12	6	27.50	12.75	3.63	1.25	0.44	8.01	2.0	6.16	72
N1A30249	30	24	9	26	22.50	12	6	27.50	16.75	3.63	1.25	0.44	8.01	2.0	6.16	85
N1A30309	30	30	9	26	28.50	12	8	27.50	22.75	3.63	1.25	0.44	8.01	2.0	6.16	102
N1A36249	36	24	9	32	22.50	12	6	33.50	16.75	3.63	1.25	0.44	8.01	2.0	7.16	107
N1A36309	36	30	9	32	28.50	12	8	33.50	22.75	3.63	1.25	0.44	8.01	2.0	7.16	120
N1A42249	42	24	9	38	22.50	12	6	39.50	16.75	3.63	1.25	0.44	8.01	2.0	8.16	111
N1A242012	24	20	12	21	18.50	14	4	21.88	15.00	2.50	1.06	0.31	11.04	1.5	—	61
N1A242412	24	24	12	21	22.50	12	4	21.88	19.00	2.50	1.06	0.31	11.01	1.5	—	132
N1A302412	30	24	12	26	22.50	12	6	27.50	16.75	3.63	1.25	0.44	11.01	2.0	6.16	94
N1A363012	36	30	12	32	28.50	12	8	33.50	22.75	3.63	1.25	0.44	11.01	2.0	7.16	129
N1A423012 ¹	42	30	12	38	28.50	12	8	39.50	22.75	3.63	1.25	0.44	11.01	2.0	8.16	144
N1A423612 ¹	42	36	12	38	34.50	12	8	39.50	28.75	3.63	1.25	0.44	11.01	2.0	8.16	169
N1A483612 ¹	48	36	12	44	34.50	12	8	45.50	28.75	3.63	1.25	0.44	11.01	2.0	9.16	197

¹ 12 gauge construction

Technical references and CAD downloads available at www.hammondmfg.com

All dimensions in inches unless specified otherwise

Quality Products. Service Excellence.

Commercial Enclosures

Panel Enclosures

1420 Series Panel Enclosure

Non-Ventilated - NEMA 1

Commercial Enclosures



**Inner
Panel
Included**



Application

- Designed for indoor use to house controls, instruments and components which do not require oil-tight or dust-tight protection.

Standards

- UL 508 Type 1
- CSA Type 1
- **Complies with**
 - NEMA Type 1
 - IEC 60529, IP20

Construction

- Enclosure is formed and spot welded from 12 or 14 gauge steel.
- Removable 12 gauge inner panel is mounted to the rear of the enclosure on collar studs.
- Removable door is attached with slip hinges.
- To remove door, a tool is required to remove the #8 screw which captivates hinge.
- Door is fastened with a slotted 1/4 turn latch; doors 30" and higher are provided with two latches.
- A bonding stud is provided on the door and a grounding stud is provided in the box.
- Piano hinge on 12 gauge units

Finish

- Enclosure and door are finished in ANSI 61 gray powder coating.
- Inner panel is finished in white powder coating.

Accessories

- Additional inner panels...*see page 438*
- Lock kit for NEMA 1 enclosures (Part No. **1427LKN1**)...*see page 431*
- Louvered ventilating plates...*see page 402*
- Window kits...*see page 449*
- Padlock Adaptor...*see page 435*

Panel Enclosures

Part No.	Mounting Centers			Panel Size			Ship Wt. lbs			
	A	B	C	J	F	D		E	H	O
1420B7	16	12	7	17.50	9.50	14	10	5.88	—	26
1420C7	20	16	7	21.50	10.00	18	14	5.88	—	39
1420D7	20	20	7	21.50	14.00	18	18	5.88	—	48
1420E7	24	20	7	25.50	14.00	22	18	5.88	—	53
1420F7	30	20	7	31.50	14.00	28	18	5.88	6.16	67
1420G7	30	24	7	31.50	18.00	28	22	5.88	6.16	79
1420H7	36	24	7	37.50	18.00	34	22	5.88	7.16	90
1420E9	24	20	9	25.50	14.00	22	18	7.88	—	60
1420EM9	24	24	9	25.50	18.00	22	22	7.88	—	71
1420G9	30	24	9	31.50	18.00	28	22	7.88	6.16	84

¹ 12 gauge construction

Technical references and CAD downloads available at www.hammondmfg.com

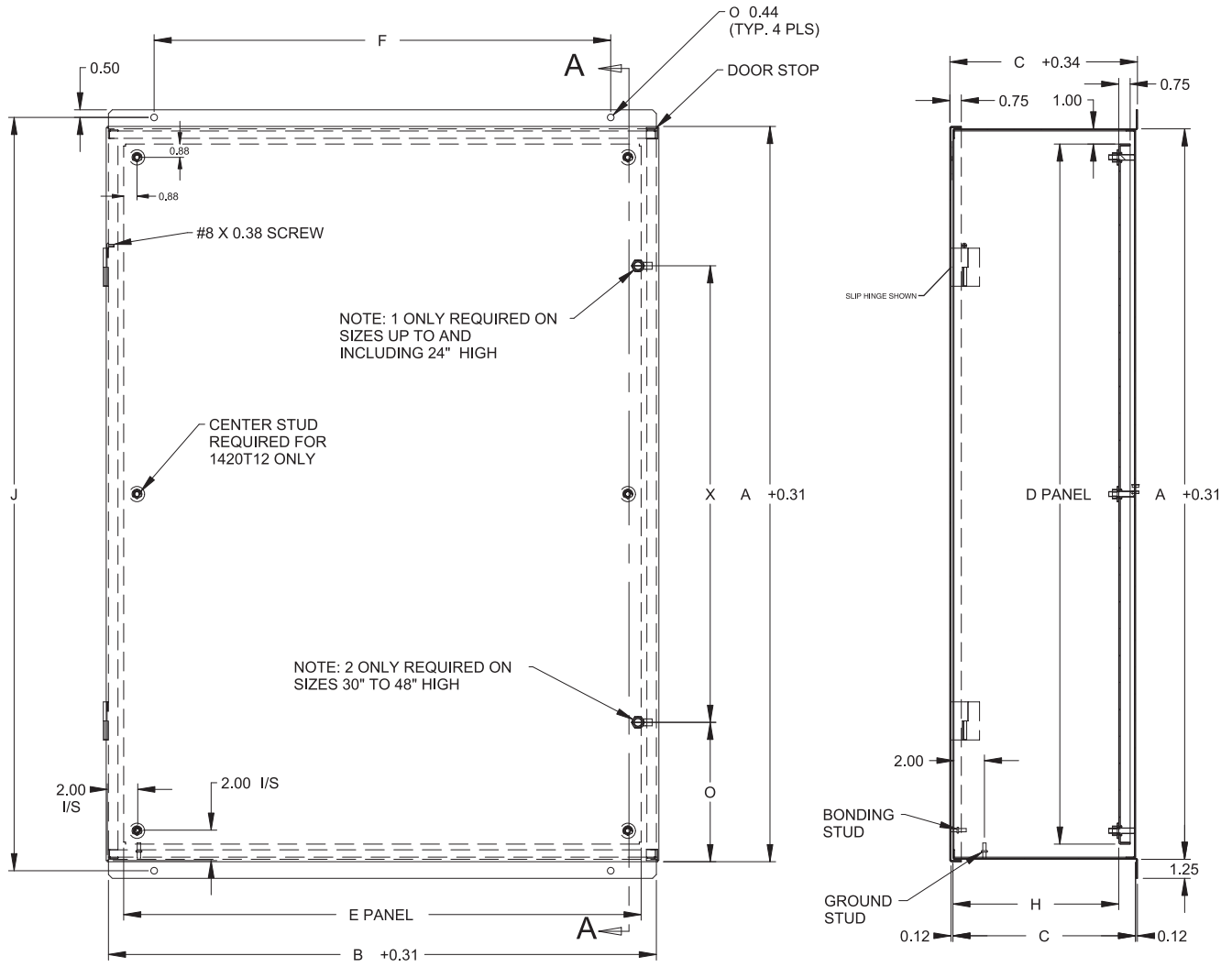
All dimensions in inches unless specified otherwise

1420 Series Panel Enclosure

Non-Ventilated - NEMA 1

Commercial Enclosures

Panel Enclosures



FRONT VIEW

SECTION A-A

Part No.	Mounting Centers				Panel Size		H	O	Ship Wt. lbs	
	A	B	C	J	F	D				E
1420H9	36	24	9	37.50	18.00	34	22	7.88	7.16	98
1420P9	36	30	9	37.50	24.00	34	28	7.88	7.16	118
1420Q9	42	24	9	43.50	18.00	40	22	7.88	8.16	111
1420G12	30	24	12	31.50	18.00	28	22	10.88	6.16	92
1420P12	36	30	12	37.50	24.00	34	28	10.88	7.16	128
1420R12 ¹	42	30	12	43.50	24.00	40	28	10.88	8.16	142
1420S12 ¹	42	36	12	43.50	30.00	40	34	10.88	8.16	156
1420T12 ¹	48	36	12	49.50	30.00	46	34	10.88	9.16	214
1420G16	30	24	16	31.50	18.00	28	22	14.88	6.16	105
1420P16	36	30	16	37.50	24.00	34	28	14.88	7.16	144

¹ 12 gauge construction

1416 Series - NEMA 1 Ventilated Component Case



Commercial Enclosures

Application

- Designed to provide mechanical protection for components requiring ventilation.
- Suitable for use where heat dissipation is required.

Standards

- **Complies with**
 - NEMA Type 1

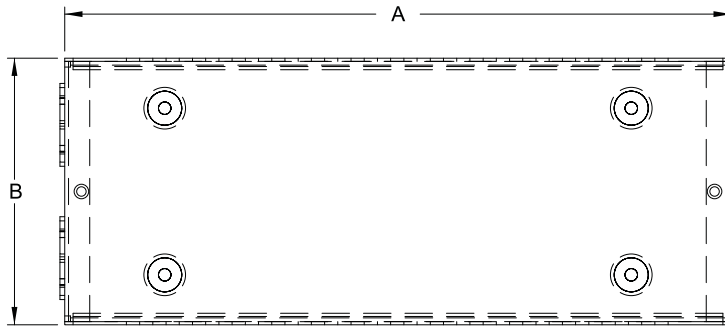
Construction

- Base is formed from 16 gauge steel with two 0.5"/0.75" conduit knock-outs located in each end.
- Four .125" high raised dimples with mounting holes are provided on the base.
- Cover is formed from 18 gauge steel with 0.235" x 1.5" ventilating slots (0.199" x 1.12" on E & G only).
- Screw holes and offsets in the cover allow easy assembly.

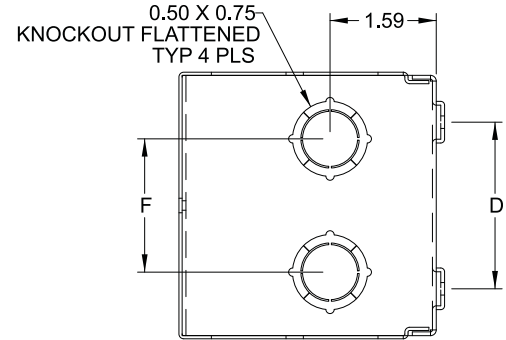
Finish

- Base and cover are finished in ANSI 61 gray powder coating.

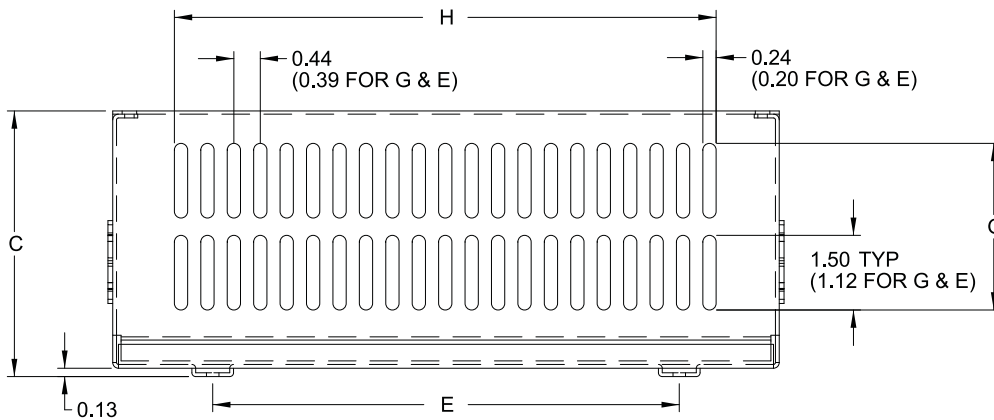
1416 Series - NEMA 1 Ventilated Component Case



Top View



Side View



Front View

Commercial Enclosures

Part No.	Dimensions						Ventilated Area		Ship Wt. lbs.
	A	B	C	D	E	F	G	H	
1416E	6	4	4	2.5	4	2	2.50	4.06	2
1416G	10	4	4	2.5	7	2	2.50	8.31	2
1416I	10	6	6	4.5	7	3	3.25	7.68	4
1416K	11	7	7	5.5	8	4	5.00	7.68	6
1416M	12	8	8	6.5	9	5	5.00	10.31	8
1416O	15	10	8	8.5	12	6	5.00	12.93	10
1416Q	20	10	8	8.5	17	6	5.00	18.18	12
1416T	20	10	10	8.5	17	6	6.75	15.56	14

N1WS Series Surface Mount Panel Enclosure

3 Piece Assembly - NEMA 1



Commercial Enclosures

Application

- Designed for indoor use to enclose controls, instruments, and components which do not require oil-tight or dust-tight protection.
- Ideal for applications where components may be easily mounted and wired prior to installation of wrapper and door.

Standards

- UL 50 Type 1
- CSA Type 1
- **Complies with**
 - NEMA Type 1
 - IEC 60529, IP20

Construction

- Three piece assembly consisting of a base, wrapper, and door.
- Components are attached and secured with metal screws.
- 14 gauge reverse formed base provides clearance for mounting hardware.
- Wrapper is available in three depths: 4", 6", and 8".
- Wrapper is formed from 16 gauge steel, with no knock-outs in the sides.
- Door assembly formed from 16 gauge steel.
- Removable door is mounted on slip hinges.
- A bonding stud is provided on the door and a grounding screw is provided for the enclosure.
- Door is fastened with a slotted quarter turn latch.

Finish

- Base, wrapper and door are finished in ANSI 61 gray powder coating.

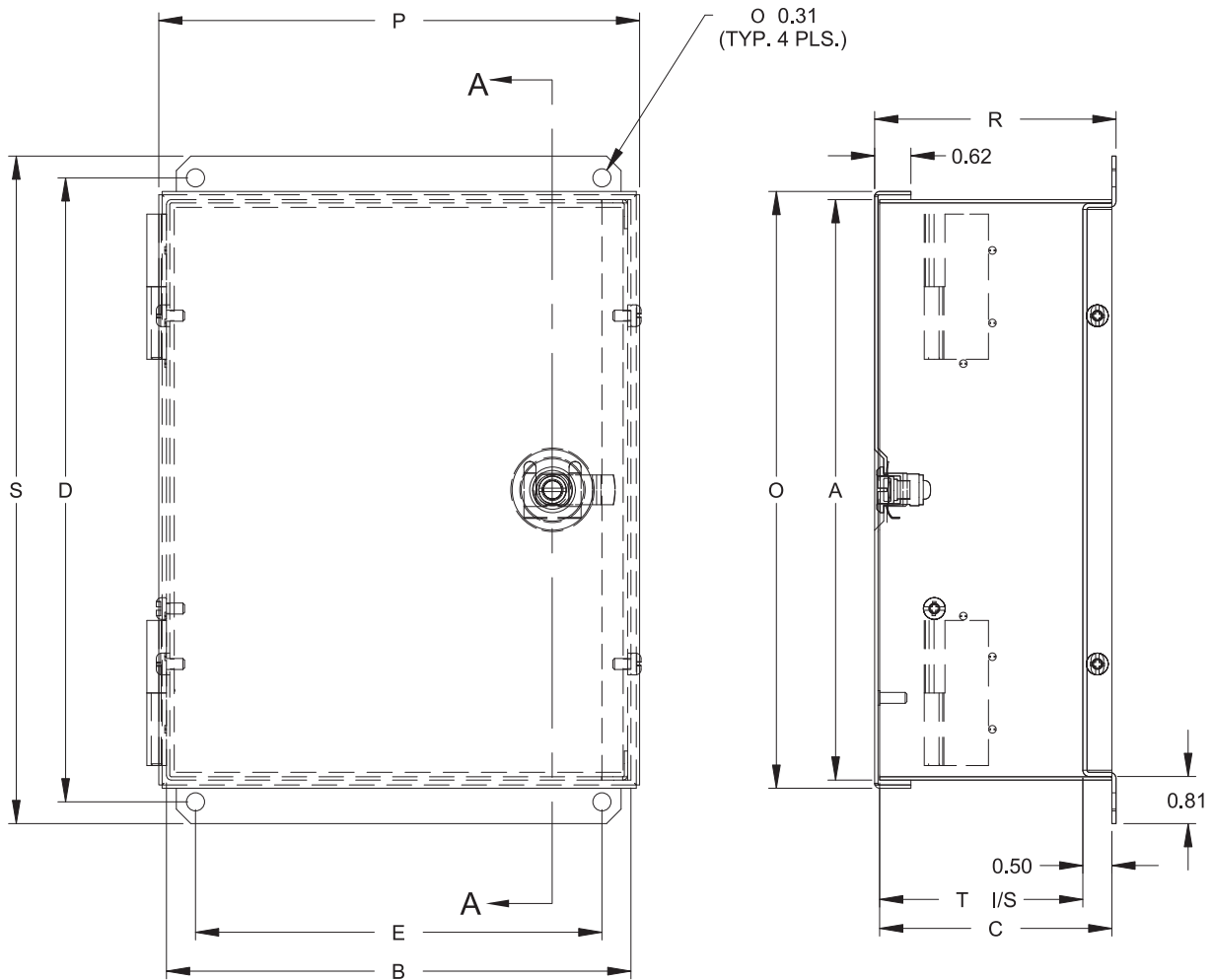
Accessories

- Surface lock kit (Part No. N1JLK)
...see page **431**
- Padlock Adaptor (Part No. EJPA)
...see page **435**

Panel Enclosures

N1WS Series Surface Mount Panel Enclosure

3 Piece Assembly - NEMA 1



Front View

Side View

Part No.	Wrapper Size	Mounting Centers					Overall Dimensions				Ship Wt. Lbs.	
		A	B	C	D	E	P	R	S	T		O
N1WS864	4" Deep	8	6	4	8.75	5	6.28	4.16	9.5	3.5	8.28	5
N1WS1084		10	8	4	10.75	7	8.28	4.16	11.5	3.5	10.28	7
N1WS12104		12	10	4	12.75	9	10.28	4.16	13.5	3.5	12.28	10
N1WS16124		16	12	4	16.75	11	12.28	4.16	17.5	3.5	16.28	14
N1WS20164		20	16	4	20.75	15	16.28	4.16	21.5	3.5	20.28	20
N1WS24204		24	20	4	24.75	19	20.28	4.16	25.5	3.5	24.28	28
N1WS866	6" Deep	8	6	6	8.75	5	6.28	6.16	9.5	5.5	8.28	6
N1WS1086		10	8	6	10.75	7	8.28	6.16	11.5	5.5	10.28	9
N1WS12106		12	10	6	12.75	9	10.28	6.16	13.5	5.5	12.28	11
N1WS16126		16	12	6	16.75	11	12.28	6.16	17.5	5.5	16.28	16
N1WS20166		20	16	6	20.75	15	16.28	6.16	21.5	5.5	20.28	22
N1WS24206		24	20	6	24.75	19	20.28	6.16	25.5	5.5	24.28	31
N1WS868	8" Deep	8	6	8	8.75	5	6.28	8.16	9.5	7.5	8.28	7
N1WS1088		10	8	8	10.75	7	8.28	8.16	11.5	7.5	10.28	10
N1WS12108		12	10	8	12.75	9	10.28	8.16	13.5	7.5	12.28	13
N1WS16128		16	12	8	16.75	11	12.28	8.16	17.5	7.5	16.28	18
N1WS20168		20	16	8	20.75	15	16.28	8.16	21.5	7.5	20.28	26
N1WS24208		24	20	8	24.75	19	20.28	8.16	25.5	7.5	24.28	34

Commercial Enclosures

Panel Enclosures

Technical references and CAD downloads available at www.hammondmfg.com

All dimensions in inches unless specified otherwise

Quality Products. Service Excellence.

N1WF Series Flush Mount Panel Enclosure

3 Piece Assembly - NEMA 1



Commercial Enclosures



Application

- Designed for indoor use to enclose controls, instruments, and components which do not require oil-tight or dust-tight protection.
- Ideal for applications where components may be easily mounted and wired prior to installation of wrapper and door.

Standards

- UL 50 Type 1
- CSA Type 1
- **Complies with**
 - NEMA Type 1
 - IEC 60529, IP20

Construction

- Three piece assembly consisting of a base, wrapper, and door.
- Components are attached and secured with metal screws.
- 14 gauge reverse formed base provides clearance for mounting hardware.
- Punched for left or right hinging of the door and ease of assembly.
- Wrapper is formed from 16 gauge steel, with no knock-outs in the sides.
- Flush mounting door assembly formed from 16 gauge steel.
- Door is fastened with a slotted quarter turn latch.
- A bonding stud is provided on the door and a grounding screw is provided for the enclosure.

Finish

- Base, wrapper and door are finished in ANSI 61 gray powder coating.

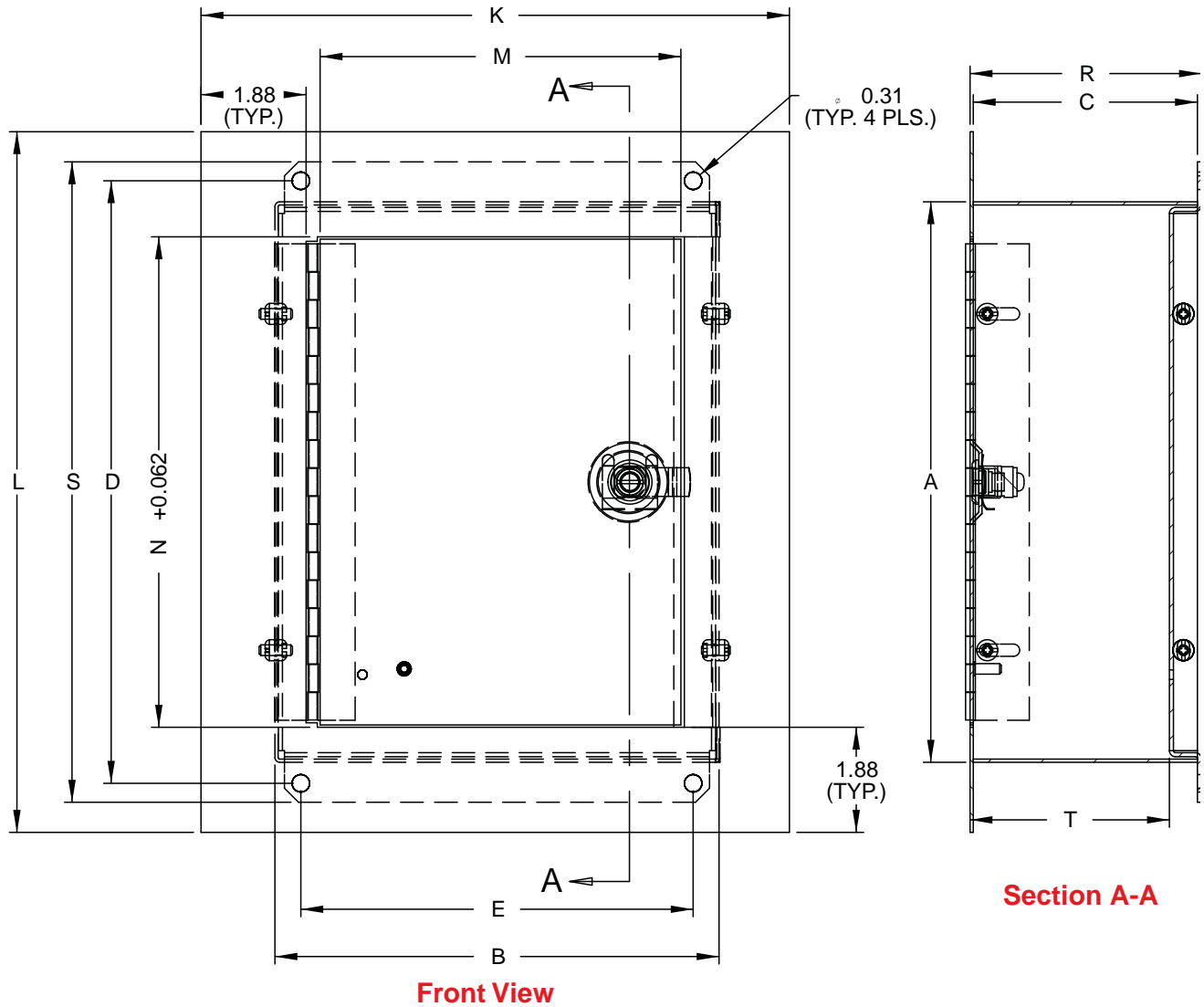
Accessories

- Surface lock kit (Part No. N1JLK)
...see page **431**
- Padlock Adaptor (Part No. EJPA)
...see page **435**

Panel Enclosures

N1WF Series Flush Mount Panel Enclosure

3 Piece Assembly - NEMA 1



Commercial Enclosures

Panel Enclosures

Part No.	Wrapper Size		Mounting Centers		Door			Overall Dimensions			Base		Ship Wt. Lbs
	A	B	C	D	E	M	N	K	R1	L	S	T1	
N1WF864	8	6	4	8.75	5	4.46	6.68	8.5	4.13 - 4.6	10.5	9.5	3.5 - 3.9	6
N1WF1084	10	8	4	10.75	7	6.46	8.68	10.5	4.13 - 4.6	12.5	11.5	3.5 - 3.9	8
N1WF12104	12	10	4	12.75	9	8.46	10.68	12.5	4.13 - 4.6	14.5	13.5	3.5 - 3.9	11
N1WF16124	16	12	4	16.75	11	10.46	14.68	14.5	4.13 - 4.6	18.5	17.5	3.5 - 3.9	15
N1WF20164	20	16	4	20.75	15	14.46	18.68	18.5	4.13 - 4.6	22.5	21.5	3.5 - 3.9	22
N1WF24204	24	20	4	24.75	19	18.46	22.68	22.5	4.13 - 4.6	26.5	25.5	3.5 - 3.9	30

Screw Cover Enclosures with Knockouts

NEMA 3R

Commercial Enclosures



Application

- Designed for use as a wiring/ junction box.
- Provides protection against rain, sleet, snow and dripping water.

Standards

- UL-50 Type 3R
- CSA Type 3R
- **Complies with:**
 - NEMA Type 3R
 - IEC 60529, IP24

Construction

- Formed and spot welded from 16 or 14 gauge galvanized steel.
- Drip-shield top and seam-free sides, front and back.
- Slip-on removable cover fastened with plated steel screws.
- Door handles on body type C enclosures.
- Embossed mounting holes on back of enclosure.
- Easily removed knockouts on bottom of enclosure.
- Padlocking hasp.
- No Gasket.

Finish

- Enclosure and cover are finished in ANSI 61 gray powder coating.

Screw Cover Enclosures with Knockouts

NEMA 3R

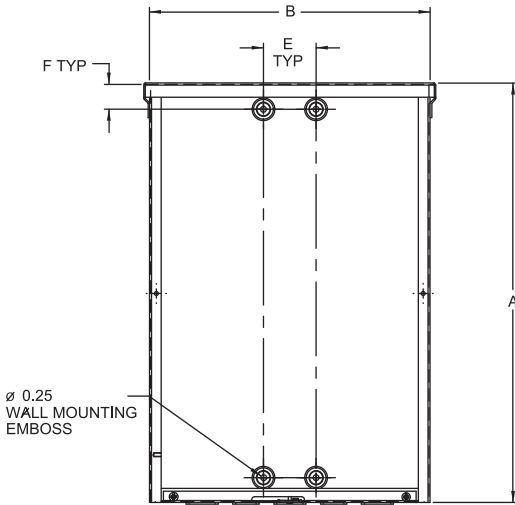
Commercial Enclosures

Part No.	Body Type	Mounting						Knockout Pattern (see next page)	Shipping Wt. lbs
		A	B	C	D	E	F		
C3R444SC	A	4	4	4	-	1.88	2.00	2-3	2
C3R644SC	A	6	4	4	-	1.88	1.06	2-3	2
C3R1244SC	A	12	4	4	-	1.88	1.06	2-3	3
C3R664SC	A	6	6	4	-	2.25	1.06	2-3-4	4
C3R864SC	A	8	6	4	-	2.25	1.06	2-3-4	5
C3R884SC	A	8	8	4	-	2.25	1.06	6-7-8-9	5
C3R1084SC	A	10	8	4	-	2.25	1.06	6-7-8-9	7
C3R1284SC	A	12	8	4	-	2.25	1.06	6-7-8-9	7
C3R10104SC	A	10	10	4	-	2.25	1.06	3-4-5-6-7	7
C3R12104SC	A	12	10	4	-	2.25	1.06	3-4-5-6-7	9
C3R12124SC	A	12	12	4	-	2.25	1.06	3-4-5-6-7	10
C3R18124SC	A	18	12	4	-	2.25	1.06	3-4-5-6-7	13
C3R18184SC	B	18	18	4	-	13.00	1.12	1-2-3-4-5-6-7-8-9	19
C3R666SC	A	6	6	6	-	2.25	1.06	2-3-4	5
C3R1866SC	A	18	6	6	-	2.25	1.06	2-3-4	12
C3R886SC	A	8	8	6	-	2.25	1.06	6-7-8-9	6
C3R1086SC	A	10	8	6	-	2.25	1.06	6-7-8-9	11
C3R10106SC	A	10	10	6	-	2.25	1.06	3-4-5-6-7	13
C3R1286SC	A	12	8	6	-	2.25	1.06	6-7-8-9	11
C3R12106SC	A	12	10	6	-	2.25	1.06	3-4-5-6-7	12
C3R12126SC	A	12	12	6	-	2.25	1.06	3-4-5-6-7	12
C3R15126SC	A	15	12	6	-	2.25	1.06	3-4-5-6-7	13
C3R16126SC	A	16	12	6	-	2.25	1.06	3-4-5-6-7	14
C3R18126SC	A	18	12	6	-	2.25	1.06	3-4-5-6-7	15
C3R18186SC	B	18	18	6	-	13.00	1.12	1-2-3-4-5-6-7-8-9	16
C3R24126SC	B	24	12	6	-	13.00	1.12	3-4-5-6-7	25
C3R24186SC	B	24	18	6	-	13.00	1.12	1-2-3-4-5-6-7-8-9	33
C3R24246SC	B	24	24	6	-	13.00	1.12	1-2-3-4-5-6-7-8-9	40
C3R888SC	A	8	8	8	-	2.25	1.06	6-7-8-9	8
C3R2488SC	A	24	8	8	-	2.25	1.06	6-7-8-9	17
C3R12128SC	A	12	12	8	-	2.25	1.06	3-4-5-6-7	13
C3R15128SC	A	15	12	8	-	2.25	1.06	3-4-5-6-7	14
C3R18128SC	A	18	12	8	-	2.25	1.06	3-4-5-6-7	19
C3R24168SC	B	24	16	8	-	13.00	1.12	3-4-5-6-7	22
C3R18188SC	B	18	18	8	-	13.00	1.12	1-2-3-4-5-6-7-8-9	25
C3R24188SC	B	24	18	8	-	13.00	1.12	1-2-3-4-5-6-7-8-9	38
C3R24208SC	B	24	20	8	-	13.00	1.12	1-2-3-4-5-6-7-8-9	39
C3R24248SC	C	24	24	8	12.04	13.00	1.12	1-2-3-4-5-6-7-8-9	44
C3R30248SC	C	30	24	8	15.04	13.00	1.12	1-2-3-4-5-6-7-8-9	53
C3R48368SC	C	48	36	8	24.04	33.00	1.50	1-2-3-4-5-6-7-8-9	150
C3R181810SC	C	18	18	10	9.04	13.00	1.12	1-2-3-4-5-6-7-8-9	25
C3R241810SC	C	24	18	10	12.04	13.00	1.12	1-2-3-4-5-6-7-8-9	38
C3R242410SC	C	24	24	10	12.04	13.00	1.12	1-2-3-4-5-6-7-8-9	49
C3R302410SC	C	30	24	10	15.04	13.00	1.50	1-2-3-4-5-6-7-8-9	55
C3R242412SC	C	24	24	12	12.04	13.00	1.12	1-2-3-4-5-6-7-8-9	54
C3R303012SC	C	30	30	12	15.04	27.00	1.50	1-2-3-4-5-6-7-8-9	125
C3R363012SC	C	36	30	12	18.04	27.00	1.50	1-2-3-4-5-6-7-8-9	128
C3R363612SC	C	36	36	12	18.04	33.00	1.50	1-2-3-4-5-6-7-8-9	130
C3R303016SC	C	30	30	16	15.04	27.00	1.50	1-2-3-4-5-6-7-8-9	127
C3R483616SC	C	48	36	16	24.04	33.00	1.50	1-2-3-4-5-6-7-8-9	155

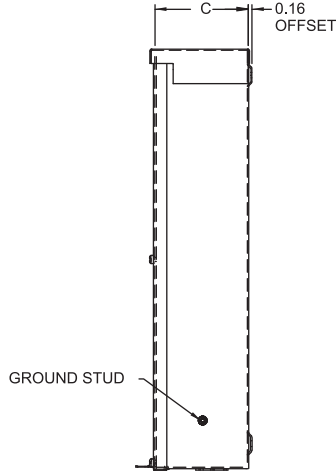
Screw Cover Enclosures with Knockouts

NEMA 3R

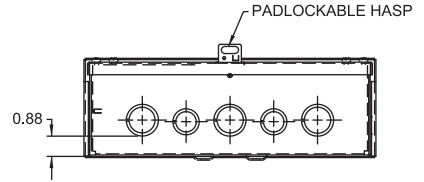
Body Type A



Front View - Cover Removed

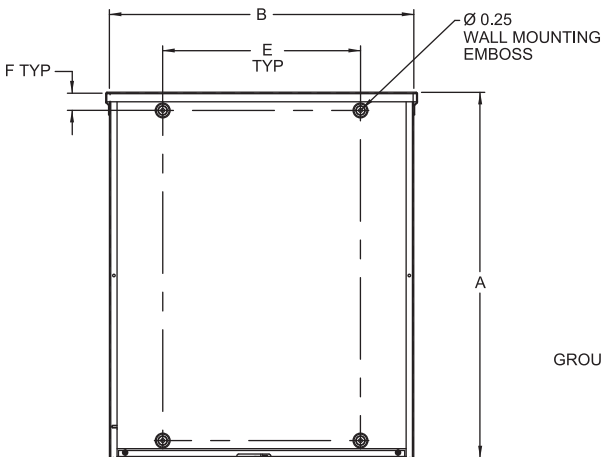


Side View

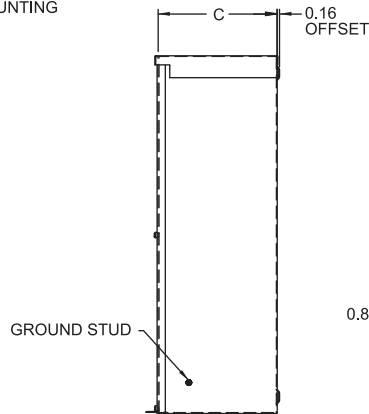


Bottom View
(SEE KNOCKOUT PATTERN FOR DETAILS)

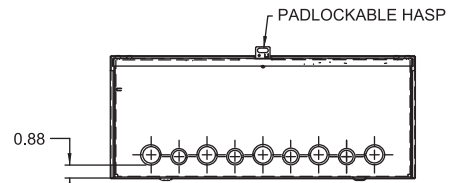
Body Type B



Front View - Cover Removed



Side View



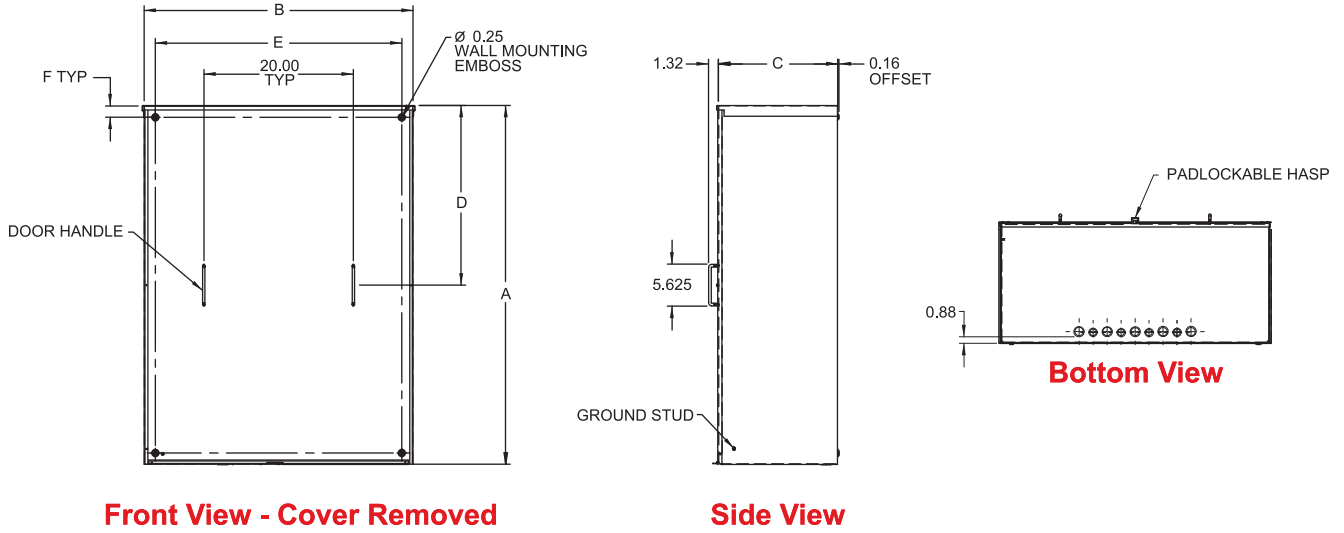
Bottom View
(SEE KNOCKOUT PATTERN FOR DETAILS)

Commercial Enclosures

Screw Cover Enclosures with Knockouts

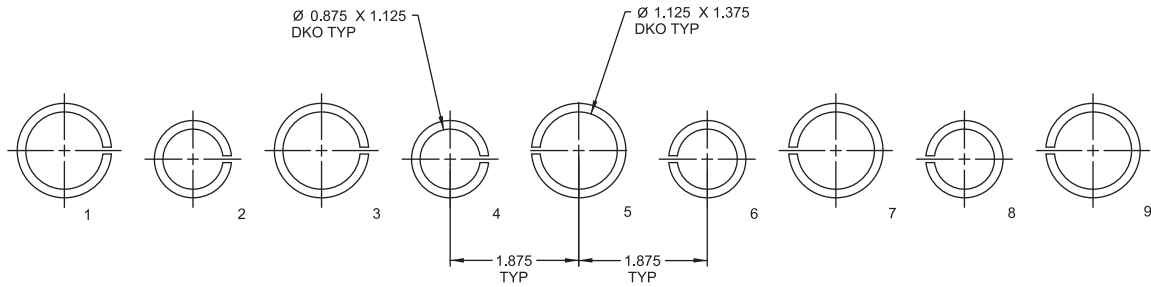
NEMA 3R

Body Type C



Commercial Enclosures

Knockout Pattern



Small Hinged Cover Enclosures with Knockouts

NEMA 3R

Commercial Enclosures



Panel
Sold
Separately



Application

- Designed for use as a wiring/junction box.
- Provides protection against rain, sleet, snow and dripping water.

Standards

- UL-50 Type 3R
- CSA Type 3R
- **Complies with**
 - NEMA Type 3R
 - IEC 60529, IP24

Construction

- Formed and spot welded from 16 gauge galvanized steel.
- Drip-shield top and seam-free sides, front and back.
- Galvanized steel hinge has stainless steel pin.
- Provisions for padlocking on zinc-plated draw pull catch.
- Easily removed knockouts on bottom of enclosure.
- Panel studs provided for mounting optional panels.
- External mounting feet.
- Oil resistant gaskets are permanently secured.

Finish

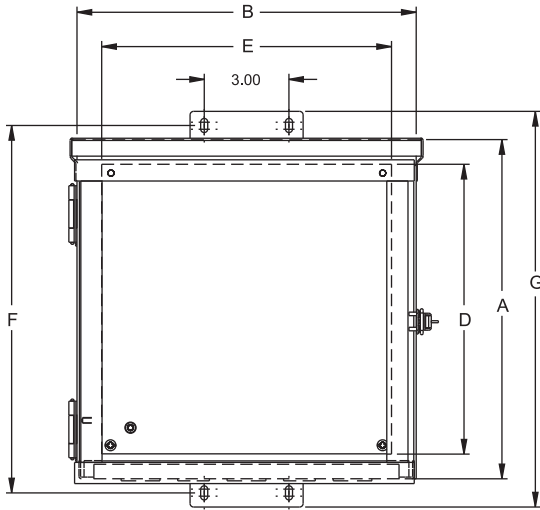
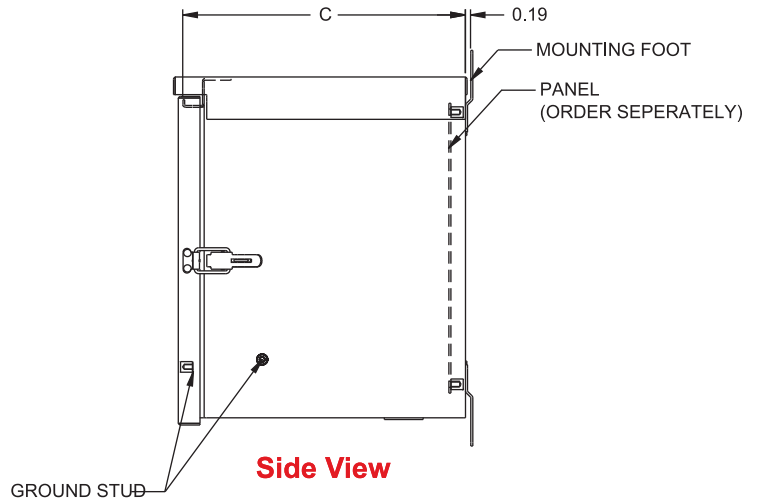
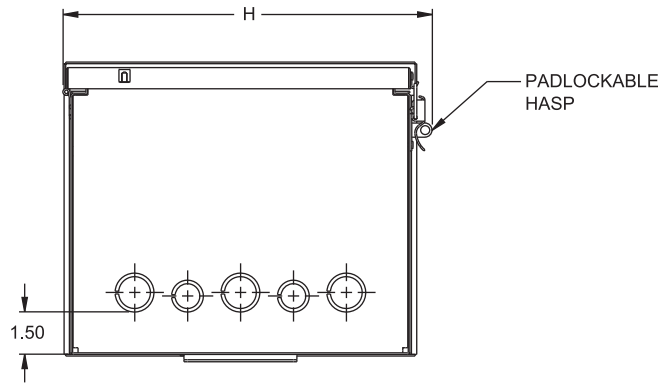
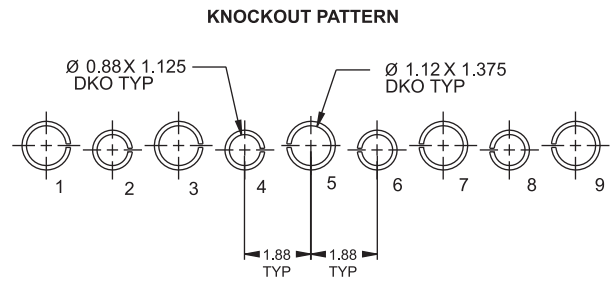
- Enclosure and cover are finished in ANSI 61 gray powder coating.

Accessories

- Inner Panel...see next page

Small Hinged Cover Enclosures with Knockouts

NEMA 3R

Commercial Enclosures

Front View - Cover Removed

Side View

Bottom View


Part No.	Optional Panel Part Number	Panel Size					Mounting F	Overall Dimensions			Knockout Pattern	Shipping Wt. lbs
		A	B	C	D	E		G	H			
C3R644HCR	N1JP64	6	4	4	4.25	2.25	7.00	8.00	5.10	2-3-4	3	
C3R664HCR	N1JP66	6	6	4	4.25	4.25	7.00	8.00	7.10	2-3-4	5	
C3R864HCR	N1JP86	8	6	4	6.25	4.25	9.00	10.00	7.10	2-3-4	6	
C3R886HCR	N1JP88	8	8	6	6.25	6.25	9.00	10.00	9.10	6-7-8-9	8	
C3R1086HCR	N1JP108	10	8	6	8.25	6.25	11.00	12.00	9.10	6-7-8-9	9	
C3R12106HCR	N1JP1210	12	10	6	10.25	8.25	13.00	14.00	11.10	3-4-5-6-7	11	
C3R12126HCR	N1JP1212	12	12	6	10.25	10.25	13.00	14.00	13.10	3-4-5-6-7	13	
C3R121210HCR	N1JP1212	12	12	10	10.25	10.25	13.00	14.00	13.10	3-4-5-6-7	20	

Medium Hinged Cover Enclosures without Knockouts

NEMA 3R

Commercial Enclosures



**Panel
Sold
Separately**



Application

- Designed for use as a wiring/ junction box.
- Provides protection against rain, sleet, snow and dripping water.

Standards

- UL-50 Type 3R
- CSA Type 3R
- **Complies with**
 - NEMA Type 3R
 - IEC 60529, IP24

Construction

- Formed and spot welded from 16 or 14 gauge galvanized steel.
- Drip shield top and seam-free sides, front and back.
- Stainless steel continuous hinge.
- Cover fastened with captive plated screws.
- Padlocking hasp.
- Collar studs provided for mounting optional panels.
- External mounting feet.
- Oil resistant gaskets are permanently secured.

Finish

- Enclosure and cover are finished inside and out in ANSI 61 gray powder coating.

Accessories

- Inner Panel...*see below*

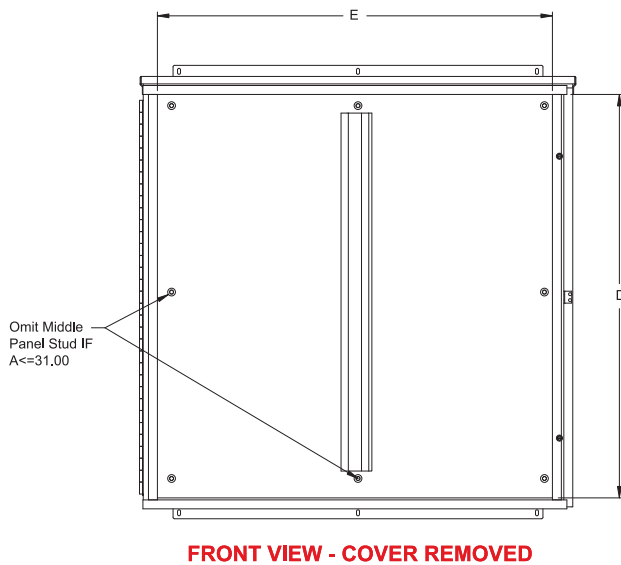
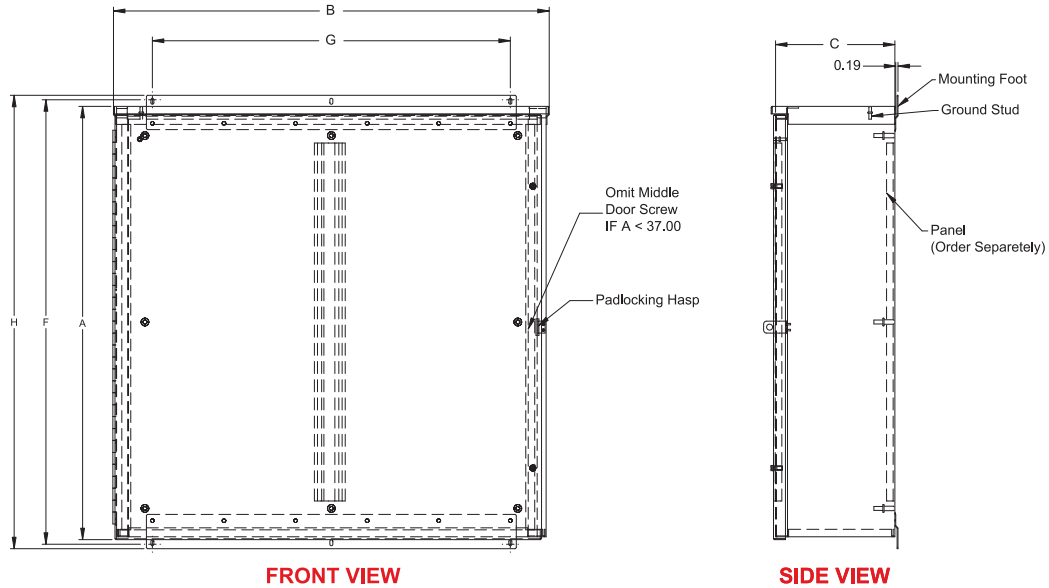
Part No.	Optional Panel Part Number	Panel Size					Mounting		Overall H	Shipping Wt. lbs
		A	B	C	D	E	F	G		
C3R16126HCR	18P1309	16	12	6	13.00	9.00	17.00	5.00	18.00	17
C3R16166HCR	18P1313	16	16	6	13.00	13.00	17.00	13.00	18.00	18
C3R18186HCR	18P1515	18	18	6	15.00	15.00	19.00	13.00	20.00	20
C3R20166HCR	18P1713	20	16	6	17.00	13.00	21.00	13.00	22.00	25
C3R20208HCR	18P1717	20	20	8	17.00	17.00	21.00	13.00	22.00	38
C3R24208HCR	18P2117	24	20	8	21.00	17.00	25.00	13.00	26.00	41
C3R24248HCR	18P2121	24	24	8	21.00	21.00	25.00	13.00	26.00	53
C3R30248HCR	18P2721	30	24	8	27.00	21.00	31.00	13.00	32.00	62
C3R30308HCR	18P2727	30	30	8	27.00	27.00	31.00	27.00	32.00	64
C3R181810HCR	18P1515	18	18	10	15.00	15.00	19.00	13.00	20.00	22
C3R242410HCR	18P2121	24	24	10	21.00	21.00	25.00	13.00	26.00	59
C3R302410HCR	18P2721	30	24	10	27.00	21.00	31.00	13.00	32.00	71

Technical references and CAD downloads available at www.hammondmfg.com

All dimensions in inches unless specified otherwise

Medium Hinged Cover Enclosures without Knockouts

NEMA 3R



Commercial Enclosures

Part No.	Optional Panel Part Number	Panel Size					Mounting		Overall H	Shipping Wt. lbs
		A	B	C	D	E	F	G		
C3R363610HCR	18P3333	36	36	10	33.00	33.00	37.00	30.00	38.00	82
C3R303012HCR	18P2727	30	30	12	27.00	27.00	31.00	27.00	32.00	102
C3R362412HCR	18P3321	36	24	12	33.00	21.00	37.00	13.00	38.00	102
C3R363012HCR	18P3327	36	30	12	33.00	27.00	37.00	27.00	38.00	103
C3R423012HCR	18P3927	42	30	12	39.00	27.00	43.00	27.00	44.00	113
C3R363612HCR	18P3333	36	36	12	33.00	33.00	37.00	27.00	38.00	119
C3R423612HCR	18P3933	42	36	12	39.00	33.00	43.00	27.00	44.00	131
C3R483612HCR	18P4533	48	36	12	45.00	33.00	49.00	27.00	50.00	153
C3R603612HCR	18P5733	60	36	12	57.00	33.00	61.00	27.00	62.00	176
C3R303016HCR	18P2727	30	30	16	27.00	27.00	31.00	27.00	32.00	105
C3R483616HCR	18P4533	48	36	16	45.00	33.00	49.00	27.00	50.00	155

Technical references and CAD downloads available at www.hammondmfg.com

All dimensions in inches unless specified otherwise

Quality Products. Service Excellence.

Hinged Cover Lift-Off Enclosures without Knockouts

NEMA 3R

Commercial Enclosures


**Panel
Sold
Separately**



Application

- Designed for use as a wiring/junction box.
- Provides protection against rain, sleet, snow and dripping water.

Standards

- UL-50 Type 3R
- CSA Type 3R
- **Complies with**
 - NEMA Type 3R
 - IEC 60529, IP24

Construction

- Formed and spot welded from 16 or 14 gauge galvanized steel.
- Extended height door and seam-free sides, front and back.
- Galvanized steel lift-off hinges with stainless steel pins.
- Cover fastened securely with zinc plated draw pull catches.
- Provisions for padlocking on zinc-plated draw pull catch.
- Embossed mounting holes on back.
- Oil resistant gaskets are permanently secured.

Finish

- Enclosure and cover are finished in ANSI 61 gray powder coating.

Accessories

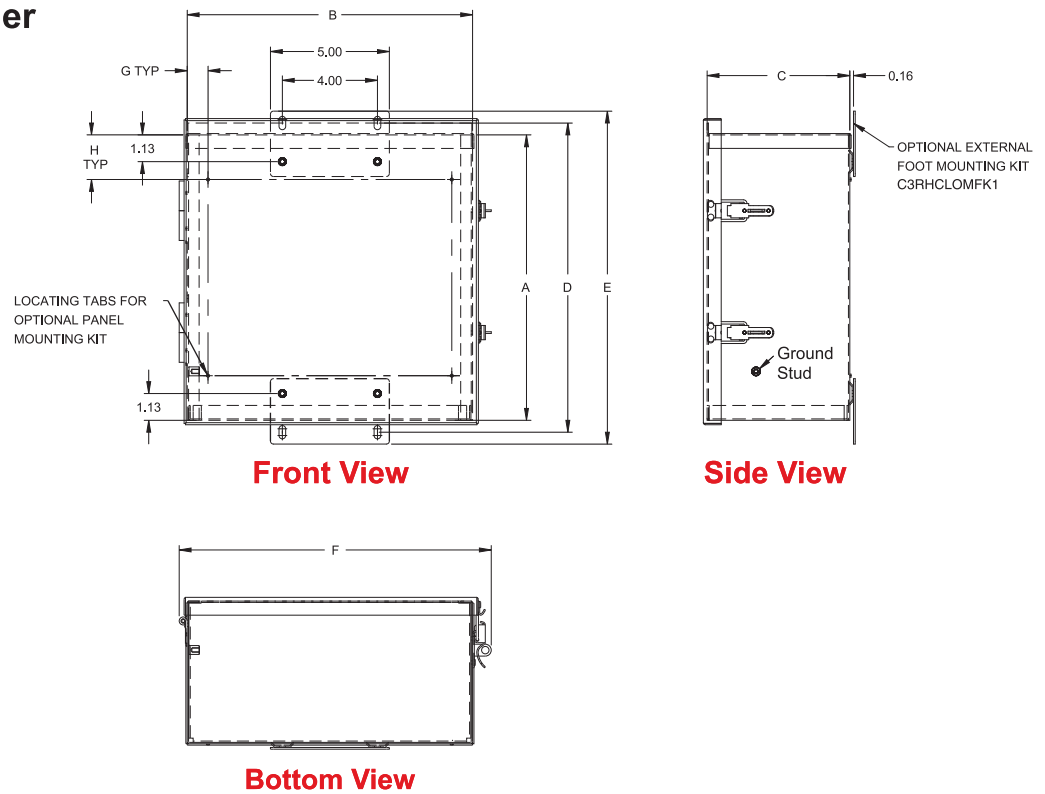
- Panel mounting kit...*see below*
- Inner panel...*see below*
- Mounting feet...*see below*

Part Number	Optional Panel	Optional Panel Mounting Kit	Optional Mount Foot Kit	A	B	C	Optional Panel Size	Mount D	Mount E	Overall Dim.				Body Gauge	Ship Wt. lbs
C3R864HCLO	14R0505	C3RHCLPK1	C3RHCLOMFK1	8	6	4	4.88 4.88	9	10	7.12	0.88	1.88	16	5	
C3R886HCLO	14R0705	C3RHCLPK1	C3RHCLOMFK1	8	8	6	6.75 4.88	9	10	9.12	0.88	1.88	16	7	
C3R1086HCLO	14R0707	C3RHCLPK1	C3RHCLOMFK1	10	8	6	6.75 6.88	11	12	9.12	0.88	1.88	16	9	
C3R12106HCLO	14R0909	C3RHCLPK1	C3RHCLOMFK1	12	10	6	8.75 8.88	13	14	11.12	0.88	1.88	16	11	
C3R12126HCLO	14R1109	C3RHCLPK1	C3RHCLOMFK1	12	12	6	10.75 8.88	13	14	13.12	0.88	1.88	16	12	
C3R16126HCLO	14R1311	C3RHCLPK1	C3RHCLOMFK1	16	12	6	12.75 10.88	17	18	13.12	0.88	1.88	16	15	
C3R16166HCLO	18P1313	C3RHCLPK2	C3RHCLOMFK2	16	16	6	13.00 13.00	17	18	17.12	2.38	2.38	16	23	
C3R20166HCLO	18P1713	C3RHCLPK2	C3RHCLOMFK2	20	16	6	17.00 13.00	21	22	17.12	2.38	2.38	16	27	
C3R20208HCLO	18P1717	C3RHCLPK2	C3RHCLOMFK2	20	20	8	17.00 17.00	21	22	21.12	2.38	2.38	16	36	
C3R24208HCLO	18P2117	C3RHCLPK2	C3RHCLOMFK2	24	20	8	21.00 17.00	25	26	21.12	2.38	2.38	16	43	
C3R24248HCLO	18P2121	C3RHCLPK2	C3RHCLOMFK2	24	24	8	21.00 21.00	25	26	25.12	2.38	2.38	14	49	
C3R30248HCLO	18P2721	C3RHCLPK2	C3RHCLOMFK2	30	24	8	27.00 21.00	31	32	25.12	2.38	2.38	14	57	

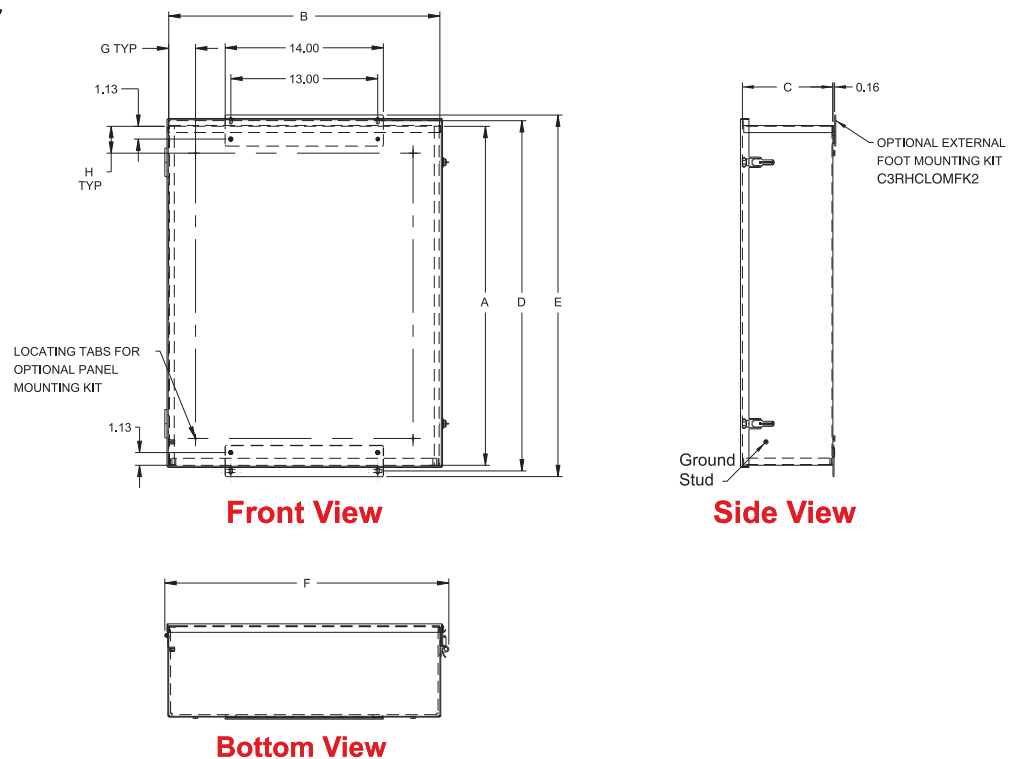
Hinged Cover Lift-Off Enclosures without Knockouts

NEMA 3R

16x12 and Smaller



16x16 and Larger



Commercial Enclosures



Climate Control

Climate Control

Cooling Products

General Information **347**
Sizing an Air Conditioner **348**



Side Mounting DTS Series
1200 BTU/H
NEMA 12 **349**



Side Mounting DTS Series
2000 BTU/H
NEMA 12 **350**



Side Mounting DTS Series
2500 BTU/H
NEMA 12 **351**



Side Mounting DTS Series
3500-5000 BTU/H
NEMA 12 **352**



Side Mounting DTS Series
4000-7500 BTU/H
NEMA 12 **353**



Side Mounting DTS Series
5000-12,000 BTU/H
NEMA 12 **355**



Top Mounting DTT Series
1700-10,000 BTU/H
NEMA 12 **357**



Side Mounting DTS Series
2500 BTU/H
NEMA 4, 4X **359**



Side Mounting DTS Series
3500 BTU/H
NEMA 3R, 4, 4X **360**



Side Mounting DTS Series
4000-7500 BTU/H
NEMA 3R, 4 **361**



Side Mounting DTS Series
4000-7500 BTU/H
NEMA 3R, 4, 4X **363**



Side Mounting DTS Series
5000-12,000 BTU/H
NEMA 3R, 4, 4X **365**



Side Mounting DTS Series
14,000-24,000 BTU/H
NEMA 12, 3R, 4, 4X **367**

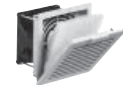


Air/Water Heat Exchanger
3241-34,215 BTU/H
NEMA 12, 3R, 4 **368**

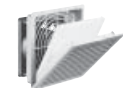


Water Chillers
4600-151,000 BTU/H **369**

Air Conditioner Accessories **370**



Filterfan
PF 11000-22000
NEMA 12 **371**



Filterfan
PF 3200
NEMA 12 **373**



Filterfan
PF 42500-43000
NEMA 12 **375**



Filterfan
PF 65000, 66000, 67000
NEMA 12 **377**









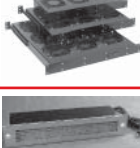



Top Mount Filterfan
PTF 60500, 60700, 61000
NEMA 12 **379**














Slimline Filterfan
PF 33000, 65000, 67000 SL
NEMA 12 **381**

Filterfan Accessories **382**

Climate Control

	PF Filterfans 383
	Fan Accessories 385
	Filterfan Rainhoods NEMA 3R..... 386
	Filtered Fan Boxes and Filter Grills..... 387
Blowers and Fans	
	General Selection Considerations 389
	Filterfan Kits..... 389
	Fan Kits..... 390
	AC Fans and Guards 390
	Fan Tray - 300, 600 and 900 CFM..... 391
	Packaged Twin Blowers 392
	Fan Panel Assembly 392
Heating Products	
	General Selection Considerations 393
	Fan Heater with Thermostat 393
	Fan Heaters 394

	High Wattage Fan Heater 394
	Heaters 395
	Mini Radiant Heaters 395
	Control Panel Heater 396
	Thermostat 397
	Twin Thermostats 398
	Mechanical Humidistat 399
	Electronic Humidity and Temperature Control..... 399
	Breather Kits Pressure Compensation Plug..... 400
	Rainproof Ventilators 401
	Louvered Vent Kits..... 402

Climate Control

Cooling Products

General Information

The Need for Environment Control

With wide spread use of micro-electronics in today's control systems, temperature management takes on a new priority in order to ensure steady and reliable performance. The maintenance of a correct operating temperature may combine both cooling and/ or heating inside an enclosure which can protect against costly down time and system failures.

General Selection Considerations

Cooling

Conditions	Solution	Advantages	Disadvantages
Maximum desired enclosure temperature is 10°F or 5°C above maximum outside ambient.	Oversize the enclosure.	Easy to implement, no maintenance. Maintains NEMA rating of the enclosure.	Dissipates small amount of heat. Larger enclosure size takes up more space.
	Install ventilation louvers.	Economical solution, very little maintenance, easy to implement.	Dissipates limited amount of heat. Dirt, oil or fluids could enter the enclosure. NEMA rating is affected.
	Install filter fans.	Less expensive than air/refrigeration systems. Relatively high amount of heat removed, some temperature control by using thermostats.	Must maintain filters. NEMA rating can be affected. Limited use in hostile environments such as chemical applications.
	Use an air/air heat exchanger.	Easy to install, small power consumption, temperature control via thermostat. Maintains NEMA rating of the enclosure.	Must maintain filters.
Maximum desired enclosure temperature lower than maximum outside ambient.	Use an air conditioner.	Easy to install. Temperature control via factory installed thermostat. Removes large amounts of heat. Maintains NEMA rating of enclosure, dehumidifies enclosure air.	Must maintain filter. Generally not to be used when outside temperature is below 59°F (15°) or above 130°F (52°C).

Circulation

Conditions	Solution	Advantages	Disadvantages
Localized heat or 'hot spots'.	Install circulation fans in the enclosure.	Economical solution, no maintenance, easy to install. Maintains NEMA rating of the enclosure.	Dissipates small amount of heat.

Heating

Conditions	Solution	Advantages	Disadvantages
Outside temperature is below minimum allowable equipment operation range.	Heat with radiant heater.	Economical power consumption. Reliable, can be temperature controlled.	Consumes energy, takes up internal panel space.
Condensation occurs.	Heat with radiant heater to maintain temperature above the dewpoint.	Economical power consumption. Reliable, humidity can be controlled.	Consumes energy, takes up internal panel space.

Cooling Products

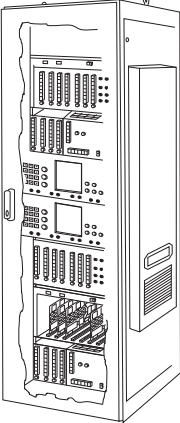
Sizing an Air Conditioner

Sizing an Air Conditioner

The proper selection of an air conditioner is determined by the following steps:

- Step 1) Internal heat load quoted as Watts that must be dissipated.
- Step 2) The exposed surface area of the enclosure.
- Step 3) Temperature differential required between maximum inside temperature and maximum outside ambient.
- Step 4) Final calculation of the above.

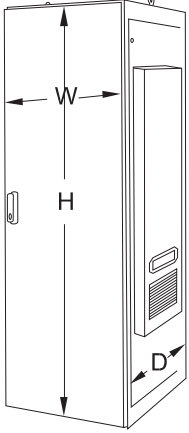
Step One



1 Watt = 3.413 BTU/H

Determine the internal heat load (in Watts) that must be dissipated.

Step Two



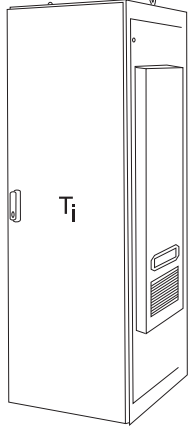
1 m² = 10.76 ft²

Calculate the exposed surface area of the enclosure:

$$\frac{2(h \times w) + 2(h \times d) + (w \times d)}{144} = \text{Area (ft}^2\text{)}$$

(Example for freestanding enclosure)

Step Three



1°C or 1°KΔT=1.8°FΔT

Determine the temperature differential by subtracting the maximum allowable temperature inside the enclosure (T_i) from the maximum ambient temperature outside the enclosure (T_o).

$$T_o - T_i = \Delta T$$

Step Four

(Watts x 3.413) + [1.25 x Area ft² X ΔT (°F)] = BTU/H

Capacity Required
BTU/H. Capacity Rating.

Climate Control

The DTS/DTT offering is available in the most popular selection of cooling capacities, sizes, voltages and mounting configurations. Available capacities range from 1,200 to 24,000 BTU/H in both side mounting and top mounting models. All models use powerful radial fans for maximum air circulation inside the enclosure in ambient temperatures of 125°F (+52°C). Models from 2,000 BTU/H capacity are equipped with thermal expansion valves for optimal use of the evaporator heat exchange surface under all operating conditions. For additional protection of the compressor motor, these valves are supplied as standard with Maximum Operating Pressure control devices (MOP). For energy conservation, the use of hot gas bypass valves is limited to the unloaded starting and control of large compressors from 8,000 BTU/H upwards. All air conditioners were developed, designed and subject to final inspections in accordance with international standards.

Side Mounting DTS Series

1200 BTU/H



Description

- Designed for side mounting where hot spot cooling or low capacity cooling is required.
- Compact design uses minimal surface area.
- Closed loop cooling ensures air is recirculated without ever mixing with contaminated ambient air.

Standards

- Maintains NEMA 12 rating
- IP 54
- UR, cUR and CE

Features

- R134a refrigerant.
- Thermostat control.
- Continuous air circulation from high capacity fans.

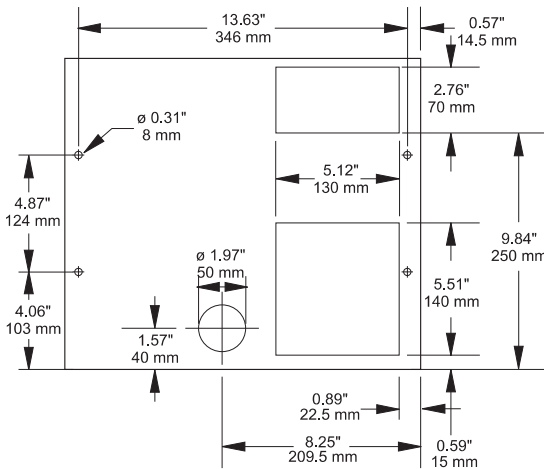
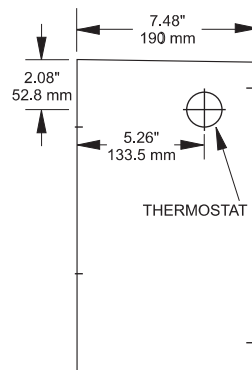
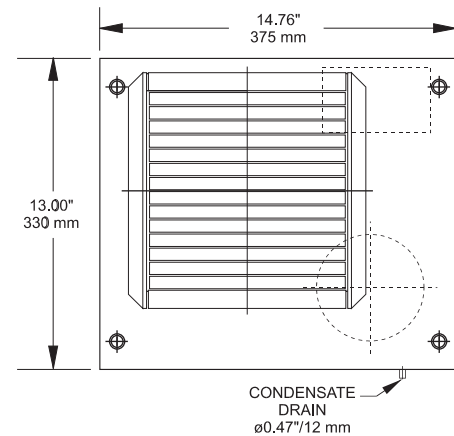
- EMI/RFI suppression meets CE.
- Line cord with plug (115 V).
- Washable filter mat protected within an easily removable grill.
- Gasket, mounting kit and template for enclosure cutout and drilling are included.
- Condensate drain hose and clamp provided.
- Exterior case easily removable for field service.
- Q Mount allows unit to hang in place for easy installation.

Accessories

- Gaskets...see page 456



Climate Control


Drilling Template

Right Side View

Front View

Part Number	Ship Wt. lbs
DTS1200A115LG	42
DTS1200A230LG	42

Technical Data

Electrical Data	DTS1200A115LG	DTS1200A230LG
Rated Voltage	115 V 60 Hz 110 V 50 Hz	230 V 50/60 Hz
Range of Operation	103-127 V	207-253 V
Power Consumption	200 W	200 W
Running Amps	2.2 A	1.3 A
Starting Current	15.7 A	9.5 A
Line Cord	With plug	Without plug

Refrigeration Data

Rated Capacity	1,200 BTU/H (350 Watts)
Type of Refrigerant	R134a
Adjustable Control Range	+77...+131 F / +25...+45 C Factory Setting +95 F (+35 C)
Max. Ambient Air Temp.	+125°F (+52°C)
Min. Ambient Air Temp.	+46°F (+8°C)
Air Capacity (unrestricted)	Internal Circulation 106 CFM External Circulation 230 CFM
Condensate Discharge	Direct via tube
Filter Mat	150 g/m ²
Db Noise Level	≤ 62 dB(A)
Unit Weight	40 lbs (18 kg)
Exterior Case	Galvanized sheet steel
Finish	RAL7035 light grey finish
NEMA Rating	Enclosures IP 54/NEMA 12

 Technical references and CAD downloads available at www.hammondmfg.com

All dimensions in inches unless specified otherwise

Side Mounting DTS Series 2000 BTU/H



Description

- Compact design for side mounting on any enclosure surface where hot spot cooling or low capacity cooling is required.
- Closed loop cooling ensures clean enclosure air is recirculated without ever mixing with contaminated ambient air.

Standards

- Maintains NEMA 12 rating
- IP 54
- UR, cUR and CE

Features

- R134a refrigerant.
- Thermostat control.
- Line cord with plug (115 V).
- Washable filter mat protected within an easily removable grill.

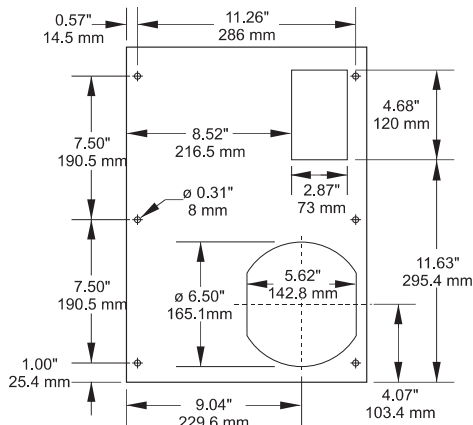
- Expansion valve permits increased efficiency through improved evaporator heat transfer and less frequent compressor operation.
- Built in condensate evaporator.
- Continuous air circulation from high capacity fans.
- EMI/RFI suppression meets CE.
- Gasket, mounting kit and template for cutout and drilling are included.
- Condensate drain hose and clamp.
- Exterior case easily removable for field service.
- Q Mount allows unit to hang in place for easy installation.

Accessories

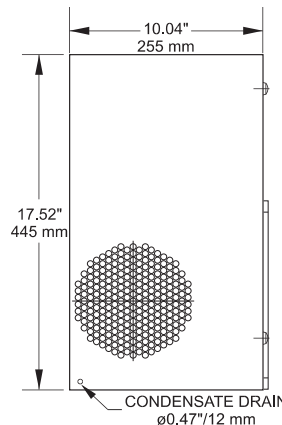
- Gaskets...see page 456



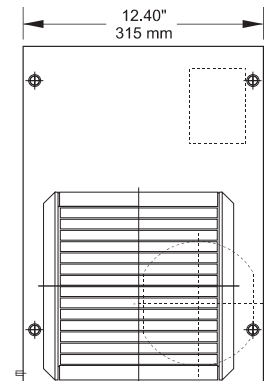
Climate Control



Drilling Template



Left Side View



Front View

Part Number	Ship Wt. lbs
DTS2000A115LG	54
DTS2000A230LG	54

Technical Data

Electrical Data	DTS2000A115LG	DTS2000A230LG
Rated Voltage	115 V 60 Hz 110 V 50 Hz	230 V 50/60 Hz
Range of Operation	103-127 V	207-253 V
Power Consumption	270 W	230 W
Running Amps	2.9 A	1.3 A
Starting Current	13.8 A	7.4 A
Line Cord	With plug	Without plug

Refrigeration Data

Rated Capacity	2,000 BTU/H (580 Watts)
Type of Refrigerant	R134a
Adjustable Control Range	+77...+131 F / +25...+45 C Factory Setting +95 F (+35 C)
Max. Ambient Air Temp.	+125°F (+52°C)
Min. Ambient Air Temp.	+46°F (+8°C)
Air Capacity (unrestricted)	Internal Circulation 230 CFM External Circulation 230 CFM
Condensate Discharge	Condensate evaporator
Filter Mat	150 g/m ²
Db Noise Level	≤ 62 dB(A)
Unit Weight	51 lbs (23 kg)
Exterior Case	Galvanized sheet steel
Finish	RAL7035 light grey finish
NEMA Rating	Enclosures IP 54/NEMA 12

Technical references and CAD downloads available at www.hammondmfg.com

All dimensions in inches unless specified otherwise

Quality Products. Service Excellence.

Side Mounting DTS Series

2500 BTU/H



Description

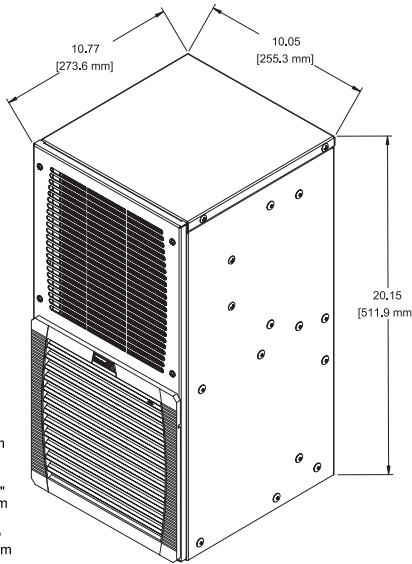
- Compact design for side mounting on any enclosure surface where hot spot or low capacity cooling is required.
- Closed loop cooling ensures clean enclosure air is recirculated without ever mixing with contaminated ambient air.

Standards

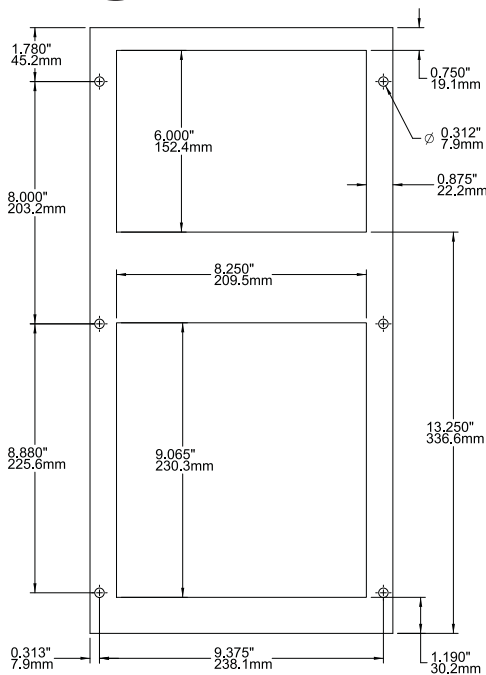
- Maintains enclosure's NEMA 12 rating
- IP 54
- UL, cUL and CE

Features

- R134a refrigerant.
- Thermostat control accessible from inside enclosure.
- Expansion valve increases efficiency with improved evaporator heat transfer and less frequent compressor operation.
- Direct condensate discharge via drain hose.
- Continuous air circulation from high capacity fans.
- EMI/RFI suppression meets CE.
- Self-diagnostics on startup.
- Fault indication via LED light.
- Door contact for power down when enclosure door is opened.
- Gasket, mounting kit and template for cutout and drilling are included.
- Condensate drain hose and clamp
- Q Mount allows unit to hang in place for easy installation.



Climate Control



Drilling Template

Technical Data

Electrical Data	DTS3041A115LG	DTS3041A230LG
Rated Voltage	115v 60 Hz	230v 50/60 Hz
	110v 50 Hz	
Range of Operation	103-127v	207-253v
Power Consumption	690 W	663 W
Running Amps	6.0 A	4.1 A
Starting Current	28 A	10.4 A
Line Cord	With Plug	With Plug

Accessories

- Gaskets...see page 456
- Remote door switch...see page 452

Part Number	Ship Wt. lbs
DTS3041A115LG	56
DTS3041A230LG	56

Refrigeration Data

Rated Capacity	2500 BTU/H (585 Watts)
Type of Refrigerant	R134a
Adjustable Control Range	+77...+131 F / +25...+45 C Factory Setting +95 F (+35 C)
Max. Ambient Air Temp.	+131°F (+55°C)
Min. Ambient Air Temp.	+59°F (+15°C)
Air Capacity (unrestricted)	Internal Circulation 191 CFM External Circulation 88 CFM
Condensate Discharge	Condensate Drain
Filter Mat	Filterless
Db Noise Level	≤ 64 dB(A)
Unit Weight	51 lbs (23 kg)
Exterior Case	Galvanized sheet steel
Finish	RAL7035 light grey finish
NEMA Rating	Enclosures IP 54/NEMA 12

Technical references and CAD downloads available at www.hammondmfg.com

All dimensions in inches unless specified otherwise

Side Mounting DTS Series 3500 BTU/H



Description

- Narrow design for side mounting on any enclosure surface where hot spot or low capacity cooling is required.
- Closed loop cooling ensures clean enclosure air is recirculated without ever mixing with contaminated ambient air.

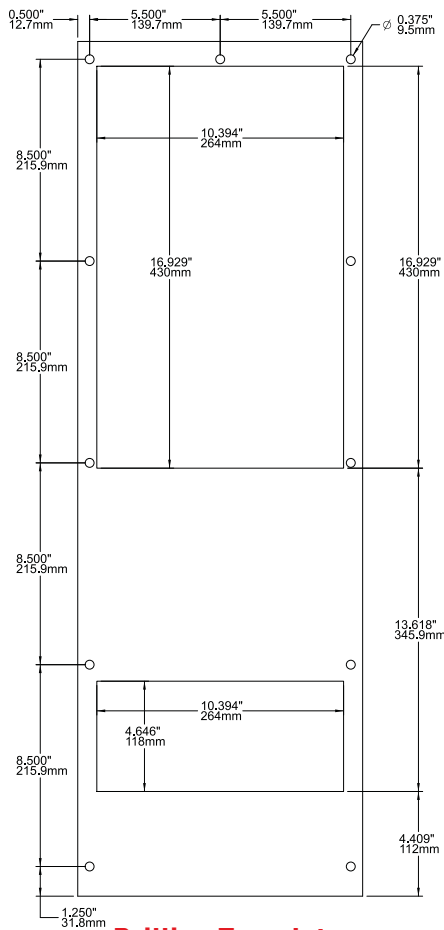
Standards

- Maintains NEMA 12 rating
- IP 54
- UL, cUL and CE

Features

- R134a refrigerant.
- Thermostat control accessible from inside enclosure.
- Expansion valve increases efficiency with improved evaporator heat transfer and less frequent compressor operation.
- Built in condenser/evaporator
- Continuous air circulation from high capacity fans.
- EMI/RFI suppression meets CE.
- Self-diagnostics on startup.
- Fault indication via LED light.
- Door contact for power down when enclosure door is opened.
- Gasket, mounting kit and template for cutout and drilling are included.
- Condensate drain hose and clamp
- Q Mount allows unit to hang in place for easy installation.

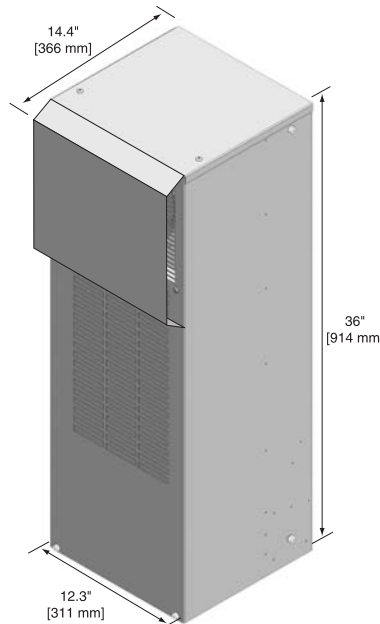
Climate Control



Drilling Template

Technical Data

Electrical Data	DTS3141SLA115LG	DTS3141SLA230LG
Rated Voltage	115 V 60 Hz	230 V 50/60 Hz
Range of Operation	103 -127 V	198-252 V
Power Consumption	917 W	890 W
Running Amps	8.5 A	4.0 A
Starting Current	28 A	14.8 A
Line Cord	Terminal Block	Terminal Block



Accessories

- Gaskets...see page 456
- Remote door switch...see page 452

Part Number	Ship Wt. lbs
DTS3141SLA115LG	113
DTS3141SLA230LG	113

Refrigeration Data	
Rated Capacity	3500-5000 BTU/H (1026-1466 Watts)
Type of Refrigerant	R134a
Adjustable Control Range	+ 59...+ 131 / + 15...+ 45C Factory setting +95 F (+35C)
Max Ambient Air Temp	+131 F (+55 C)
Min Ambient Air Temp	+59 F +15 C
Air Capacity (unrestricted)	Internal Circulation 341 CFM External Circulation 706 CFM
Condensate Discharge	Condensate Evaporator
Filter Mat	Filterless
Db Noise Level	<70 dB (A)
Unit Weight	108 lbs (49 kg)
Exterior Case	Galvanized Sheet Steel
Finish	RAL7035 light gray finish
Nema Rating	Enclosures IP 54/Nema 12

Technical references and CAD downloads available at www.hammondmfg.com

All dimensions in inches unless specified otherwise

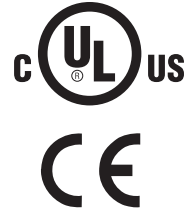
Quality Products. Service Excellence.

Side Mounting DTS Series

4000 & 7500 BTU/H



7500 BTU/H unit shown



Climate Control

Description

- Designed for side mounting on any enclosure surface where high capacity system cooling is required.
- Closed loop cooling ensures clean enclosure air is recirculated without ever mixing with contaminated ambient air.
- Optimum air circulation with maximum clearance distance between warm inlet and cold outlet for reduced hot spot locations.

Standards

- Maintains enclosure's NEMA 12 rating
- IP 54
- UL, cUL and CE

Features

- R134a refrigerant.
- Thermostat control accessible from inside enclosure.
- Hot gas bypass valve prevents evaporator freeze up while minimizing heavy inrush currents on large BTU/H units.
- Built in condensate evaporator.
- Continuous air circulation from high capacity fans.
- EMI/RFI suppression meets CE.
- Self-diagnostics on startup.
- Fault indication via LED light.
- Provision for door contact allowing power down when enclosure door is opened.
- Gasket, mounting kit and template for enclosure cutout and drilling are included.
- Condensate drain hose and clamp provided.
- Q Mount allows unit to hang in place for easy installation.

Accessories

- Gaskets...see page 456
- Remote door switch...see page 452

Part Number	Ship Wt. lbs.
DTS3141A115LG	99
DTS3141A230LG	99
DTS3241A115LG	127
DTS3241A230LG	127

Technical Data

Electrical Data	DTS3141A115LG DTS3141A230LG	DTS3241A115LG DTS3241A230LG
Rated Voltage	115 V 60 Hz/ 230 V 50/60 Hz	115 V 60 Hz/ 230 V 50/60 Hz
Range of Operation	103-127 V/198-252 V	103-127 V/198-252 V
Power Consumption	712 W/712 W	1400 W/1400 W
Running Amps	7.2 A/4.2 A	14.6 A/6.3 A
Starting Current	28.0 A/14.8 A	26.8 A/16.5 A
Line Cord	Terminal Block	Terminal Block

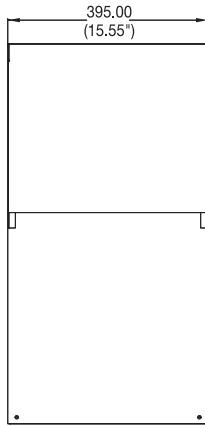
Technical references and CAD downloads available at www.hammondmfg.com

All dimensions in inches unless specified otherwise

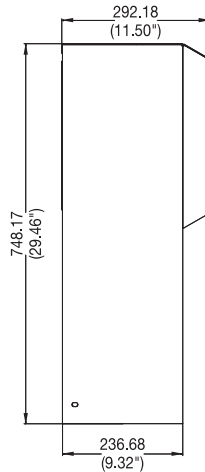
Side Mounting DTS Series

4000 & 7500 BTU/H

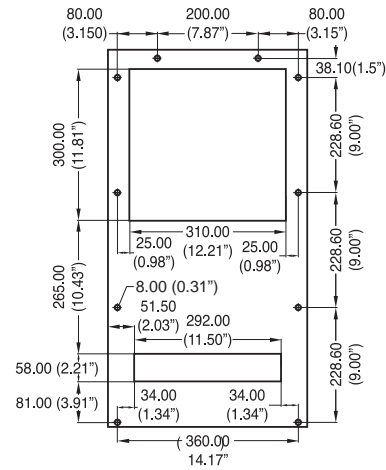
DTS 3141



Front View

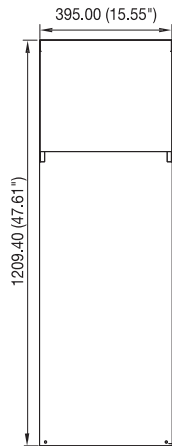


Side View

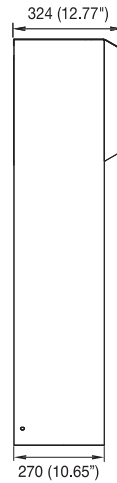


Drilling Template

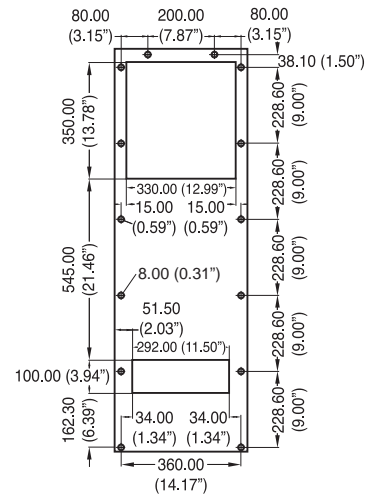
DTS 3241



Front View



Side View



Drilling Template

Refrigeration Data	DTS3141A115/ 230LG	DTS3241A115/ A230LG
Rated Capacity	4,000 BTU/H (1,172 Watts)	7,500 BTU/H (2,197 Watts)
Type of Refrigerant	R134a	R134a
Adjustable Control Range	+ 59...+ 131 / + 15...+ 45C Factory setting +95 F (+35C)	+ 59...+ 131 / + 15...+ 45C Factory setting +95 F (+35C)
Max. Ambient Air Temp.	+125°F (+52°C)	+125°F (+52°C)
Min. Ambient Air Temp.	+46°F (+8°C)	+46°F (+8°C)
Air Capacity (unrestricted)	Internal Circulation 350 CFM External Circulation 350 CFM	Internal Circulation 580 CFM External Circulation 580 CFM
Condensate Discharge	Condensate Evaporator	Condensate Evaporator
Filter Mat	Filterless	Filterless
Db Noise Level	≤ 70 dB(A)	≤ 73 dB(A)
Unit Weight	80 lbs (36 kg)	101 lbs (46 kg)
Exterior Case	Galvanized sheet steel	Galvanized sheet steel
Finish	RAL7035 Light Grey powder finish	RAL7035 Light Grey powder finish
NEMA Rating	Enclosures IP 54/NEMA 12	Enclosures IP 54/NEMA 12

Climate Control

Side Mounting DTS Series

5000 - 7000 & 9000 - 12000 BTU/H



Description

- Designed for side mounting on any enclosure surface where high capacity system cooling is required.
- Closed loop cooling ensures clean enclosure air is recirculated without ever mixing with contaminated ambient air.
- Optimum air circulation with maximum clearance distance between warm inlet and cold outlet for reduced hot spot locations.
- Condensor with 3 mm fin spacing, highly effective protection against strongly contaminated and aggressive ambient air

Standards

- Maintains enclosure's NEMA 12 rating
- IP 54
- UL, cUL and CE

Features

- R134a refrigerant.
- Thermostat control accessible from inside enclosure.
- Hot gas bypass valve prevents evaporator freeze up while minimizing heavy inrush currents on large BTU/H units.
- Built in condensate evaporator.
- Continuous air circulation from high capacity fans.
- EMI/RFI suppression meets CE.
- Self-diagnostics on startup.
- Fault indication via LED light.
- Provision for door contact allowing power down when enclosure door is opened.
- Gasket, mounting kit and template for enclosure cutout and drilling are included.
- Condensate drain hose and clamp provided.
- Q Mount allows unit to hang in place for easy installation.

Part Number	Ship Wt. lbs.
DTS3145A115LG	113
DTS3145A230LG	113
DTS3245A115LG	155
DTS3245A230LG	155

Technical Data

Electrical Data	DTS3145A115LG	DTS3245A115LG
	DTS3145A230LG	DTS3245A230LG
Rated Voltage	115 V 60 Hz 230 V 50/60 Hz	115 V 60 Hz 230 V 50/60 Hz
Range of Operation	103-127 V /198-252 V	103-127 V /198-252 V
Power Consumption	1000 W /1020 W	1600 W / 1600 W
Running Amps	8.5 A / 4.5 A	13 A / 6.5 A
Starting Current	48 A / 26 A	57 A / 30 A
Line Cord	Terminal Block	Terminal Block

Accessories

- Gaskets...see page 456
- Remote door switch...see page 452

Refrigeration Data	DTS3145A115/ 230LG	DTS3245A115/ 230LG
Rated Capacity	5000-7000 BTU/H (1466-2052 Watts)	9000-12000 BTU/H (2639-3519 Watts)
Type of Refrigerant	134a	134a
Adjustable Control Range	+ 77...+ 131 / + 25...+ 45C Factory setting +95 F (+35C)	+ 77...+ 131 / + 25...+ 45C Factory setting +95 F (+35C)
Max. Ambient Air Temp	+131 F (+55 C)	+131 F (+55 C)
Min. Ambient Air Temp	+59 F (+15 C)	+59 F (+15 C)
Air Capacity (unrestricted)	Internal Circulation 365/341 CFM External Circulation 765/706 CFM	Internal Circulation External Circulation
Condensate Discharge	Condensate Evaporator	Condensate Evaporator
Filter Mat	Filterless	Filterless
Db Noise Level	<70 dB(A)	<73 dB(A)
Unit Weight	108 lbs	150 lbs
Exterior Case	Galvanized Sheet Steel	Galvanized Sheet Steel
Finish	RAL7035 Light Grey Powder Finish	RAL7035 Light Grey Powder Finish
Nema Rating	Enclosures IP 54 / Nema 12	Enclosures IP 54 / Nema 12

Technical references and CAD downloads available at www.hammondmfg.com

All dimensions in inches unless specified otherwise

Quality Products. Service Excellence.

Side Mounting DTS Series

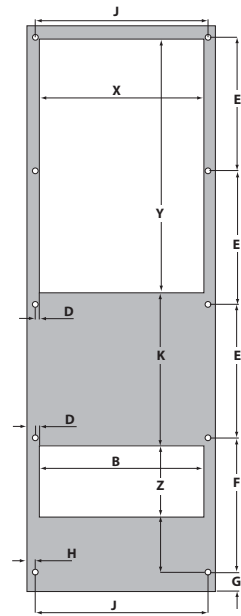
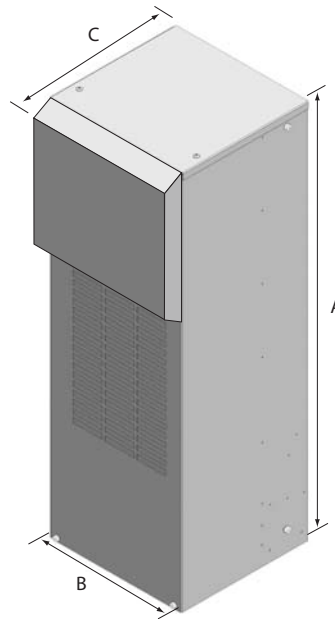
5000 - 7000 & 9000 - 12000 BTU/H

DTS 3145

Dimension	inches (mm)
A	36 (914)
B	12.25 (311)
C	14.4 (367)
D	0.3 (8)
E	8.5 (216)
F	8.5 (216)
G	1.3 (32)
H	0.5 (13)
I	3.2 (80)
J	11 (279)
K	9 (228)
X	10.4 (264)
Y	17 (430)
Z	4.7 (118)

Mounting holes \varnothing 10 mm

For exact cutout information reference drilling template at pfannenbergusa.com

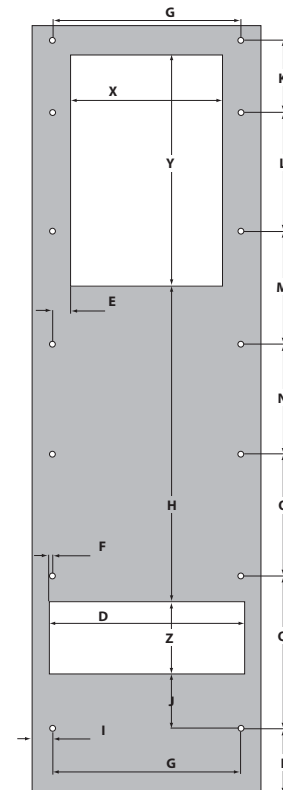
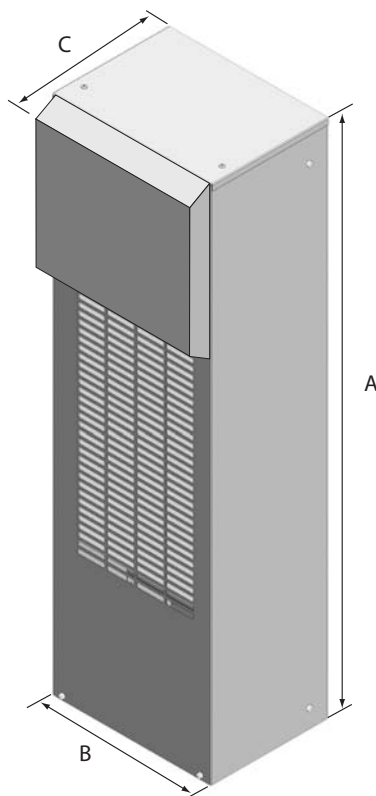


DTS 3245

Dimension	inches (mm)
A	53 (1347)
B	16 (406)
C	14.4 (367)
D	13.7 (348)
E	0.98 (25)
F	0.35 (9)
G	13 (330)
H	21.1 (537)
I	1.4 (35)
J	3.6 (92)
K	5.0 (126)
L	8.2 (209)
M	7.8 (198)
N	7.6 (192)
O	8.4 (214)
P	4.5 (114)
Q	10.5 (267)
X	11 (280)
Y	16.8 (427)
Z	5.3 (135)

Mounting holes \varnothing 8 mm

For exact cutout information reference drilling template at pfannenbergusa.com



Top Mounting DTT Series

1200 - 14000 BTU/H



Description

- Designed for top mounting where space limitations do not allow side mounting on the enclosure surface.
- Closed loop cooling ensures clean enclosure air is recirculated without ever mixing with contaminated ambient air.
- Excellent security level due to patented condensate management system, which prevents condensate from penetrating the enclosure.
- High reliability and long maintenance intervals
- Quick release mounting frame

Features

- R134a refrigerant.
- Thermostat control accessible from inside enclosure.
- Hot gas bypass valve prevents evaporator freeze up while minimizing heavy inrush currents on large BTU/H units.
- Built in condensate evaporator.
- Continuous air circulation from high capacity fans.
- EMI/RFI suppression meets CE.
- Self-diagnostics on startup.
- Fault indication via LED light.
- Provision for door contact allowing power down when enclosure door is opened.
- Gasket, mounting kit and template for enclosure cutout and drilling are included.
- Condensate drain hose and clamp provided.

Standards

- Maintains NEMA 12 rating
- IP 54
- UR, cUR and CE

Accessories

- Remote door switch...see page 452
- Quick installation frame
...see next page

Climate Control

	DTT6101A115LG	DTT6101A230LG	DTT6201A115LG	DTT6201A230LG	DTT6201A460LG
Cooling Capacity (BTU)	1700	1700	3500	3500	3500
Rated Voltage +/- 10%	115	230	115	230	400/460
Frequency	50/60 Hz	50/60 Hz	50/60 Hz	50/60 Hz	50/60 Hz
Power Consumption (W)	569	458/532	877	663/805	706/845
Running Amps	5.2	2.2/2.4	8.05	3.39/3.83	1.5/1.8
Starting Current (A)	23			8.5/9.3	

	DTT6301A115LG	DTT6301A230LG	DTT6301A460LG	DTT6401A115LG	DTT6401A230LG	DTT6401A460LG
Cooling Capacity (BTU)	5100	5100	5100	6800	6800	6800
Rated Voltage +/- 10%	115	230	400/460	115	230	400/460
Frequency	50/60 Hz	50/60 Hz	50/60 Hz	50/60 Hz	50/60 Hz	50/60 Hz
Power Consumption (W)	1027	980/1140	962/1150	1894	1049/1275	1300/1598
Running Amps	10.8	6.3/6.4	3.1/3.2	15.5	5.1/5.5	2.3/2.4
Starting Current (A)	32	19.7	9.8	34	16.8	10/12

	DTT6601A460LG	DTT6801A460LG
Cooling Capacity (BTU)	10,000	13,600
Rated Voltage +/- 10%	400/460	400/460
Frequency	50/60 Hz	50/60 Hz
Power Consumption (W)	1700/2100	1618/2050
Running Amps	2.45/2.49	3.4/3.5
Starting Current (A)	8.9/9.9	17.1/19.5

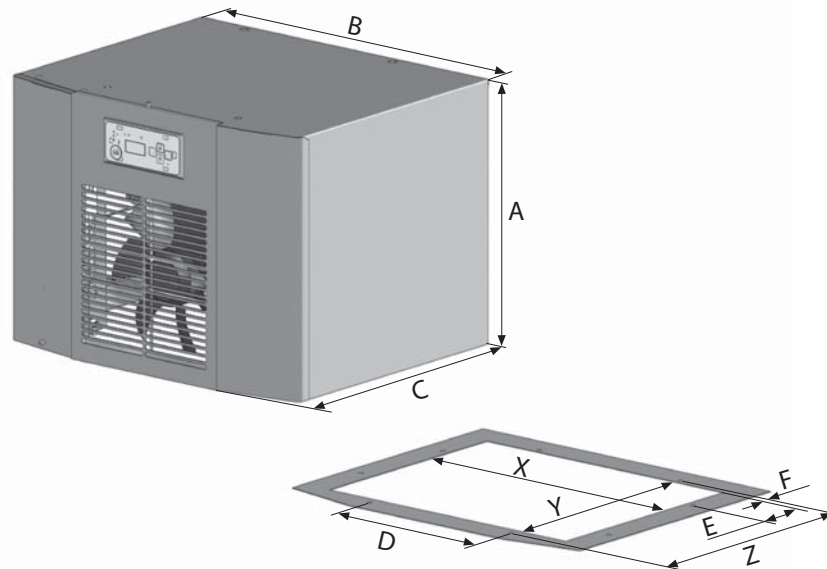
All Models	
Electrical Connection	Terminal Block with Plug
Min/Max Ambient Temp	+59...+131 F / +15...+55 C
Exterior Case	Galvanized Sheet Steel Color RAL 7035 Powder Finish

 Technical references and CAD downloads available at www.hammondmfg.com

All dimensions in inches unless specified otherwise

Top Mounting DTT Series

1200 - 14000 BTU/H



Part Number	inches (mm)										Ship Wt. Lbs.
	A	B	C	D	E	F	X	Y	Z		
DTT6101A115LG	17.0 (434)	23.4 (595)	15.6 (395)	11.5 (292)	3.3 (85)	.55 (14)	18.7 (475)	10.2 (270)	11.9 (303)	80	
DTT6101A230LG	17.0 (434)	23.4 (595)	15.6 (395)	11.5 (292)	3.3 (85)	.55 (14)	18.7 (475)	10.2 (270)	11.9 (303)	80	
DTT6201A115LG	17.0 (434)	23.4 (595)	15.6 (395)	11.5 (292)	3.3 (85)	.55 (14)	18.7 (475)	10.2 (270)	11.9 (303)	85	
DTT6201A230LG	17.0 (434)	23.4 (595)	15.6 (395)	11.5 (292)	3.3 (85)	.55 (14)	18.7 (475)	10.2 (270)	11.9 (303)	85	
DTT6201A460LG	17.0 (434)	23.4 (595)	15.6 (395)	11.5 (292)	3.3 (85)	.55 (14)	18.7 (475)	10.2 (270)	11.9 (303)	99	
DTT6301A115LG	17.1 (435)	23.4 (595)	19.5 (495)	11.5 (292)	10.1 (256)	.45 (11.5)	19.5 (495)	15.6 (395)	16.5 (418)	97	
DTT6301A230LG	17.1 (435)	23.4 (595)	19.5 (495)	11.5 (292)	10.1 (256)	.45 (11.5)	19.5 (495)	15.6 (395)	16.5 (418)	109	
DTT6301A460LG	17.1 (435)	23.4 (595)	19.5 (495)	11.5 (292)	10.1 (256)	.45 (11.5)	19.5 (495)	15.6 (395)	16.5 (418)	122	
DTT6401A115LG	17.1 (435)	23.4 (595)	19.5 (495)	11.5 (292)	10.1 (256)	.45 (11.5)	19.5 (495)	15.6 (395)	16.5 (418)	107	
DTT6401A230LG	17.1 (435)	23.4 (595)	19.5 (495)	11.5 (292)	10.1 (256)	.45 (11.5)	19.5 (495)	15.6 (395)	16.5 (418)	111	
DTT6401A460LG	17.1 (435)	23.4 (595)	19.5 (495)	11.5 (292)	10.1 (256)	.45 (11.5)	19.5 (495)	15.6 (395)	16.5 (418)	123	
DTT6601A460LG	19.1 (485)	31.3 (795)	22.6 (575)	13.4 (340)	7.9 (200)	.55 (14)	27.2 (692)	15.4 (392)	16.5 (420)	182	
DTT6801A460LG	19.1 (485)	31.3 (795)	22.6 (575)	13.4 (340)	7.9 (200)	.55 (14)	27.2 (692)	15.4 (392)	16.5 (420)	187	

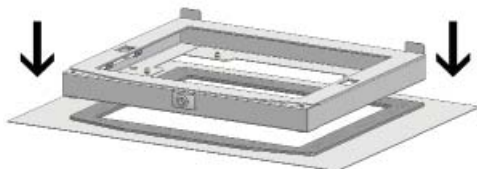
Mounting holes \varnothing 8 mm

For exact cutout information reference drilling template.

Quick Installation Frame

- Simple install and removal of AC for transport
- Maintains NEMA 12 Seal & Enclosure

Frame Part Number	Use with Models	Ship Wt. (lbs)
DTT61016202LG	DTT 6101 / DTT6201	14
DTT63016401LG	DTT 6301 / DTT 6401	14
DTT66016801LG	DTT 6601 / DTT 6801	18



Technical references and CAD downloads available at www.hammondmfg.com

All dimensions in inches unless specified otherwise

Side Mounting DTS Series - NEMA 3R, 4, 4X

2500 BTU/H - Stainless Steel



Description

- Compact design for side mounting on any enclosure surface where spot cooling or low capacity cooling is required.
- Closed loop cooling ensures clean enclosure air is recirculated without ever mixing with contaminated ambient air.
- Ideal for outdoor or very wet conditions.

Standards

- UL, cUL, and CE
- Complies with
 - NEMA 3R, 4, 4X

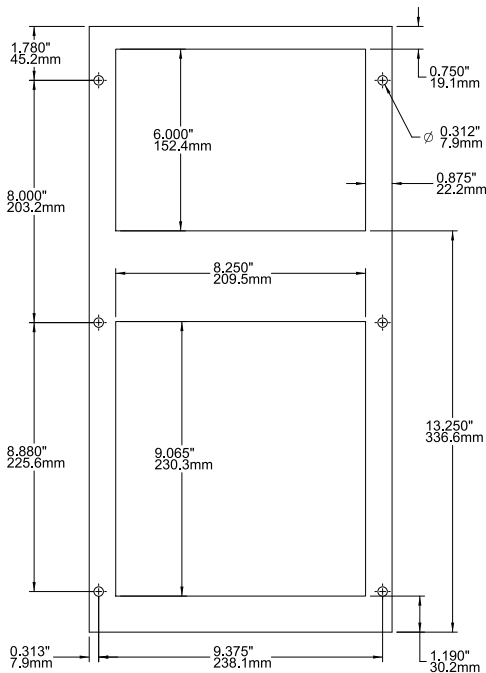
Features

- Stainless steel body.
- R134a refrigerant.
- Thermostat control.
- Line cord with plug (115 V).
- Expansion valve permits increased efficiency through improved evaporator heat transfer and less frequent compressor operation.
- Continuous air circulation from high capacity fans.
- EMI/RFI suppression meets CE standard.
- Gasket, mounting kit, and template for cutout and drilling are included.
- Direct condensate discharge, drain hose and clamp.
- Q Mount allows unit to hang in place for easy installation.



Part Number	Ship Wt. lbs.
DTS3081A115N4SS	60
DTS3081A230N4SS	60

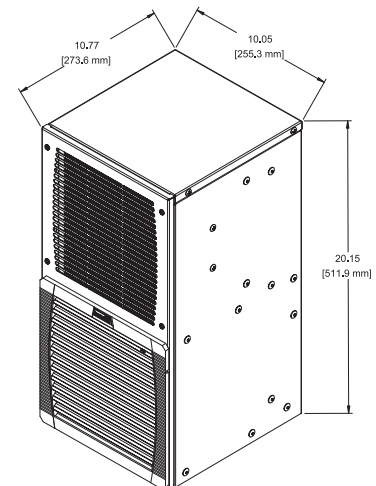
Climate Control



Drilling Template

Technical Data

Electrical Data	DTS3081A115N4SS	DTS3081A230N4SS
Rated Voltage	115 V 60 Hz 110 V 50 Hz	230 V 50/60 Hz
Range of Operation	103-127 V	198-253 V
Power Consumption	690 W	724 W
Running Amps	6.0 A	3.3 A
Starting Current	28 A	14.4 A
Line Cord	With plug	With plug



Dimensional Drawing Only

Refrigeration Data

Rated Capacity	2,500 BTU/H (732 Watts)
Type of Refrigerant	R134a
Refrigerant Charge	400 g
Adjustable Control Range	+77...+131 F / +25...+45 C Factory Setting +95 F (+35 C)
Max. Ambient Air Temp.	+131°F (+55°C)
Min. Ambient Air Temp.	+46°F (+8°C)
Air Capacity (unrestricted)	Internal Circulation 191 CFM External Circulation 88 CFM
Condensate Discharge	Condensate drain
Filter Mat	Filterless
Db Noise Level	≤ 64 dB(A)
Unit Weight	55 lbs (25 kg)
Exterior Case	304 Stainless steel
Finish	Polish #3
NEMA Rating	3R, 4, 4X

Technical references and CAD downloads available at www.hammondmfg.com

All dimensions in inches unless specified otherwise

Side Mounting DTS Series - NEMA 3R, 4, 4X

3500 BTU/H - Stainless Steel



Description

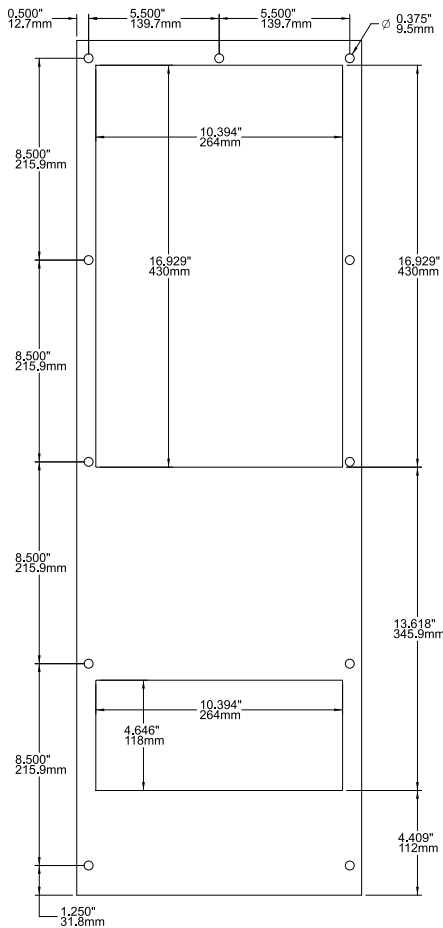
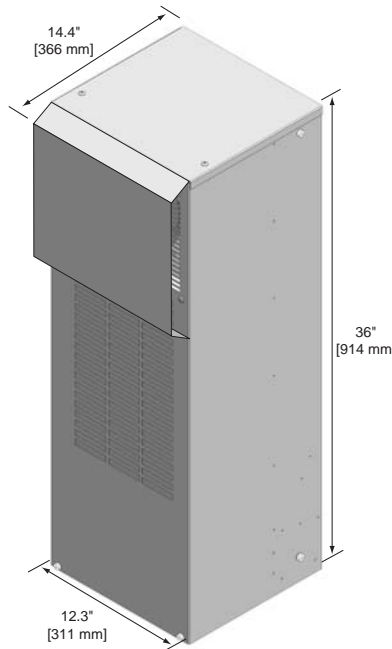
- Narrow design for side mounting on any enclosure surface where hot spot or low capacity cooling is required.
- Closed loop cooling ensures clean enclosure air is recirculated without ever mixing with contaminated ambient air.

Standards

- Complies with
 - NEMA 3R, 4, 4X rating
 - IP 54
 - UL, cUL and CE

Features

- R134a refrigerant.
- Thermostat control accessible from inside enclosure.
- Expansion valve increases efficiency with improved evaporator heat transfer and less frequent compressor operation.
- Built in condensor/evaporator
- Continuous air circulation from high capacity fans.
- EMI/RFI suppression meets CE.
- Self-diagnostics on startup.
- Fault indication via LED light.
- Door contact for power down when enclosure door is opened.
- Gasket, mounting kit and template for cutout and drilling are included.
- Condensate drain hose and clamp
- Easy install with "Click & Fit" system



Drilling Template

Technical Data

Electrical Data	DTS3161SLA2N3LG / DTS3181SLA2N4SS
Rated Voltage	230 V 50/60 Hz
Range of Operation	198-252 V
Power Consumption	890 W
Running Amps	4.0 A
Starting Current	14.8 A
Line Cord	Terminal Block



Accessories

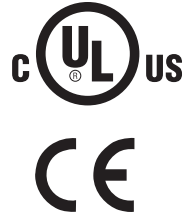
- Gaskets...see page 456
- Remote door switch...see page 452

Part Number	Type Rating	Ship Wt. lbs.
DTS3161SLA2N3LG	3R, 4	113
DTS3181SLA2N4SS	4X	113

Refrigeration Data	
Rated Capacity	3500-5000
Type of Refrigerant	R134a
Adjustable Set Points	+ 59...+ 131 / + 15...+ 45C Factory setting +95 F (+35C)
Max Ambient Air Temp	+131 F (+55 C)
Min Ambient Air Temp	+59 F +15 C
Air Capacity (unrestricted)	Internal Circulation 341 CFM External Circulation 706 CFM
Condensate Discharge	Condensate Evaporator
Filter Mat	Filterless
Db Noise Level	<70 dB (A)
Unit Weight	108 lbs (49 kg)
Exterior Case	Galvanized Sheet Steel /304 Stainless Steel
Finish	RAL7035 light gray finish / #4 Brush Finish SS
Nema Rating	Enclosures IP 54/Nema 3R, 4, 4X

Side Mounting DTS Series - NEMA 3R, 4

4000 & 7500 BTU/H



4000 BTU/H Shown

Description

- Designed for side mounting on any enclosure surface where high capacity system cooling is required.
- Closed loop cooling ensures clean enclosure air is recirculated without ever mixing with contaminated ambient air.
- Optimum air circulation with maximum clearance distance between warm inlet and cold outlet for reduced hot spot locations.

Standards

- UL, cUL, CE
- Complies with
 - NEMA 3R, 4

Features

- R134a refrigerant.
- Thermostat control accessible from inside enclosure.
- Expansion valve prevents evaporator freeze up while minimizing heavy inrush currents on large BTU/H units.
- Built in condensate evaporator.
- Continuous air circulation from high capacity fans.
- EMI/RFI suppression meets CE.
- Self-diagnostics on startup.
- Fault indication via LED light.
- Provision for door contact allowing power down when enclosure door is opened.
- Gasket, mounting kit and template for enclosure cutout and drilling are included.
- Condensate drain hose and clamp provided.
- Q Mount allows unit to hang in place for easy installation.
- Nema 3R/4 exterior galvanized sheet steel with powdercoat finish.

Climate Control

Part Number	Ship Wt. lbs.
DTS3161A115N3LG	104
DTS3161A230N3LG	104
DTS3261A115N3LG	129
DTS3261A230N3LG	129

Accessories

- Gaskets...see page 456
- Remote door switch...see page 452

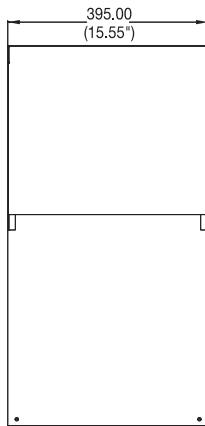
Technical Data

Electrical Data	DTS3161A115N3LG	DTS3161A230N3LG	DTS3261A115N3LG	DTS3261A230N3LG
Rated Voltage	115 V 60 Hz	230 V 50/60 Hz	115 V 60 Hz	230 V 50/60 Hz
Range of Operation	103-127 V	198-252 V	103-127 V	198-252 V
Power Consumption	950 W	860 W	1800 W	1800 W
Running Amps	7.2 A	4 A	14.6 A	6.3 A
Starting Current	17.1 A	9.3 A	26.8 A	16.5 A
Line Cord	Terminal Block	Terminal Block	Terminal Block	Terminal Block

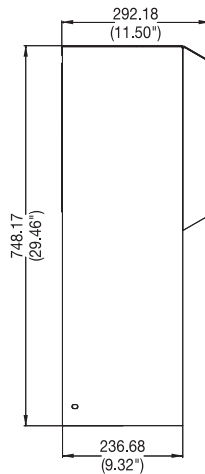
Side Mounting DTS Series - NEMA 3R, 4

4000 & 7500 BTU/H

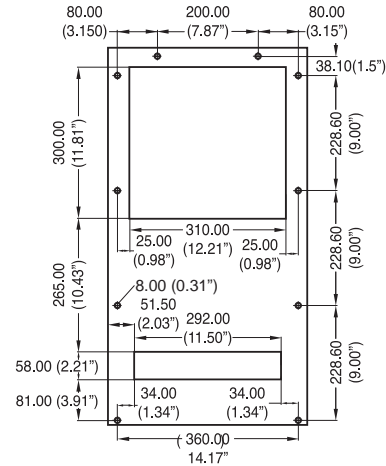
DTS 3161



Front View

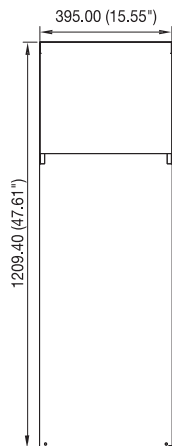


Side View

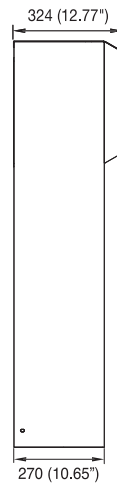


Drilling Template

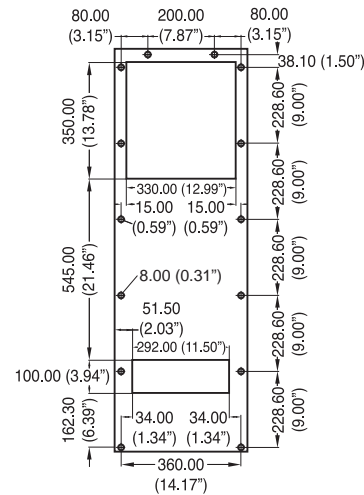
DTS 3261



Front View



Side View



Drilling Template

Climate Control

Refrigeration Data	DTS3161A115/230N3LG	DTS3261A115/230N3LG
Rated Capacity	4,000 BTU/H (1,172 Watts)	7,500 BTU/H (2,197 Watts)
Type of Refrigerant	R134a	R134a
Adjustable Control Range	+ 59...+ 131 / + 15...+ 45C Factory setting +95 F (+35C)	+ 59...+ 131 / + 15...+ 45C Factory setting +95 F (+35C)
Max. Ambient Air Temp.	+125°F (+52°C)	+125°F (+52°C)
Min. Ambient Air Temp.	+46°F (+8°C)	+46°F (+8°C)
Air Capacity (unrestricted)	Internal Circulation 350 CFM External Circulation 350 CFM	Internal Circulation 580 CFM External Circulation 580 CFM
Condensate Discharge	Condensate Evaporator	Condensate evaporator
Filter Mat	150 g/m ²	150 g/m ²
Db Noise Level	≤ 70 dB(A)	≤ 73 dB(A)
Unit Weight	84 lbs (38 kg)	120 lbs (46 kg)
Exterior Case	Galvanized Steel Powdercoat Finish	Galvanized Steel Powdercoat Finish
Finish	RAL7035 Light Grey powder finish (LG)	RAL7035 Light Grey powder finish (LG)
NEMA Rating	Enclosures IP56 /NEMA 3R/4	Enclosures IP56 /NEMA 3R/4

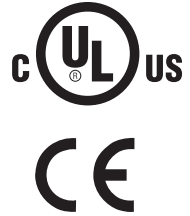
Technical references and CAD downloads available at www.hammondmfg.com

All dimensions in inches unless specified otherwise

Quality Products. Service Excellence.

Side Mounting DTS Series - NEMA 3R, 4, 4X

4000 & 7500 BTU/H - Stainless Steel



Description

- Designed for side mounting on any enclosure surface where high capacity system cooling is required.
- Closed loop cooling ensures clean enclosure air is recirculated without ever mixing with contaminated ambient air.
- Optimum air circulation with maximum clearance distance between warm inlet and cold outlet for reduced hot spot locations.

Standards

- UL, cUL, CE
- Complies with
 - NEMA 3R, 4, 4X

Features

- R134a refrigerant.
- Thermostat control accessible from inside enclosure.
- Expansion valve prevents evaporator freeze up while minimizing heavy inrush currents on large BTU/H units.
- Built in condensate evaporator.
- Continuous air circulation from high capacity fans.
- EMI/RFI suppression meets CE.
- Self-diagnostics on startup.
- Fault indication via LED light.
- Provision for door contact allowing power down when enclosure door is opened.
- Gasket, mounting kit and template for enclosure cutout and drilling are included.
- Condensate drain hose and clamp provided.
- Q Mount allows unit to hang in place for easy installation.
- Nema 4/4x exterior 304 stainless steel.

Accessories

- Gaskets...see page 456
- Remote door switch...see page 452

Climate Control

Part Number	Ship Wt. lbs.
DTS3181A115N4SS	107
DTS3181A230N4SS	107
DTS3281A115N4SS	144
DTS3281A230N4SS	144

Technical Data

Electrical Data	DTS3181A115N4SS	DTS3181A230N4SS	DTS3281A115N4SS	DTS3281A230N4SS
Rated Voltage	115 V 60 Hz	230 V 50/60 Hz	115 V 60 Hz	230 V 50/60 Hz
Range of Operation	103-127 V	198-252 V	103-127 V	198-252 V
Power Consumption	950 W	860 W	1800 W	1800 W
Running Amps	7.2 A	4 A	14.6 A	6.3 A
Starting Current	17.1 A	9.3 A	26.8 A	16.5 A
Line Cord	Terminal Block	Terminal Block	Terminal Block	Terminal Block

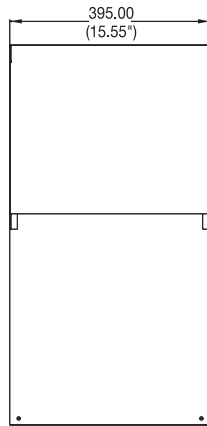
Technical references and CAD downloads available at www.hammondmfg.com

All dimensions in inches unless specified otherwise

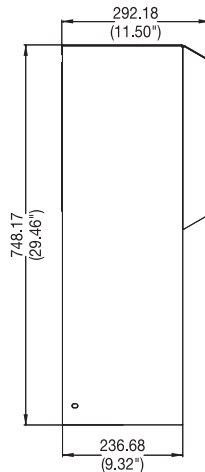
Side Mounting DTS Series - NEMA 3R, 4, 4X

4000 & 7500 BTU/H - Stainless Steel

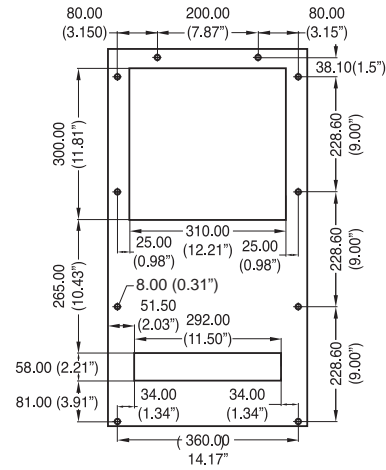
DTS 3181



Front View

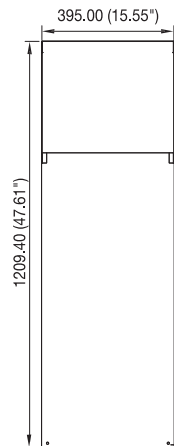


Side View

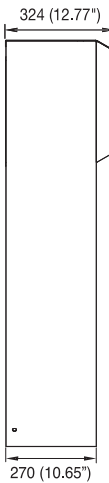


Drilling Template

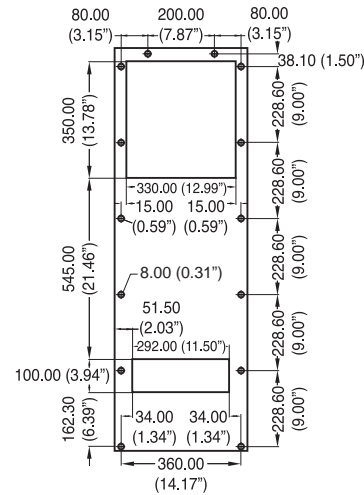
DTS 3281



Front View



Side View



Drilling Template

Refrigeration Data	DTS3181A115/230N4SS	DTS3281A115/230N4SS
Rated Capacity	4,000 BTU/H (1,172 Watts)	7,500 BTU/H (2,197 Watts)
Type of Refrigerant	R134a	R134a
Adjustable Control Range	+ 59...+ 131 / + 15...+ 45C Factory setting +95 F (+35C)	+ 59...+ 131 / + 15...+ 45C Factory setting +95 F (+35C)
Max. Ambient Air Temp.	+125°F (+52°C)	+125°F (+52°C)
Min. Ambient Air Temp.	+46°F (+8°C)	+46°F (+8°C)
Air Capacity (unrestricted)	Internal Circulation 350 CFM External Circulation 350 CFM	Internal Circulation 580 CFM External Circulation 580 CFM
Condensate Discharge	Condensate Evaporator	Condensate evaporator
Filter Mat	150 g/m ²	150 g/m ²
Db Noise Level	≤ 70 dB(A)	≤ 73 dB(A)
Unit Weight	84 lbs (38 kg)	120 lbs (46 kg)
Exterior Case	304 Stainless Steel	304 Stainless Steel
Finish	Polish #3	Polish #3
NEMA Rating	Enclosures IP56 /NEMA 3R/4x	Enclosures IP56 /NEMA 3R/4x

Climate Control

Side Mounting DTS Series - NEMA 3R, 4, 4X

5000 - 7000 & 9000 - 12000 BTU/H - Galvanized Sheet Steel & Stainless Steel



Description

- Designed for side mounting on any enclosure surface where high capacity system cooling is required.
- Closed loop cooling ensures clean enclosure air is recirculated without ever mixing with contaminated ambient air.
- Optimum air circulation with maximum clearance distance between warm inlet and cold outlet for reduced hot spot locations.
- Condensator with 3 mm fin spacing, highly effective protection against strongly contaminated and aggressive ambient air

Features

- R134a refrigerant.
- Thermostat control accessible from inside enclosure.
- Hot gas bypass valve prevents evaporator freeze up while minimizing heavy inrush currents on large BTU/H units.
- Built in condensate evaporator.
- Continuous air circulation from high capacity fans.
- EMI/RFI suppression meets CE.
- Self-diagnostics on startup.
- Fault indication via LED light.
- Provision for door contact allowing power down when enclosure door is opened.
- Gasket, mounting kit and template for enclosure cutout and drilling are included.
- Condensate drain hose and clamp provided.
- Q Mount allows unit to hang in place for easy installation.

Standards

- UL, cUL, and CE
- Complies with
 - NEMA 3R, 4, 4X

Part Number	Type Rating	Ship Wt. lbs.
DTS3165A115N3LG	3R, 4	113
DTS3165A230N3LG	3R, 4	113
DTS3185A115N4SS	4X	113
DTS3185A230N4SS	4X	113
DTS3265A115N3LG	3R, 4	155
DTS3265A230N3LG	3R, 4	155
DTS3285A115N4SS	4X	155
DTS3285A230N4SS	4X	155

Accessories

- Gaskets...see page 456
- Remote door switch...see page 452

Technical Data

Electrical Data	DTS3165A115N3LG / DTS3185A115N4SS DTS3165A230N3LG / DTS3185A230N4SS	DTS3265A115N3LG / DTS3285A115N4SS DTS3265A230N3LG / DTS3285A230N4SS
Rated Voltage	115 V 60 Hz 230 V 50/60 Hz	115 V 60 Hz 230 V 50/60 Hz
Range of Operation	103-127 V /198-252 V	103-127 V /198-252 V
Power Consumption	1000 W /1020 W	1600 W / 1600 W
Running Amps	8.5 A / 4.5 A	13 A / 6.5 A
Starting Current	48 A / 26 A	57 A / 30 A
Line Cord	Terminal Block	Terminal Block

Refrigeration Data	DTS3165A115N3LG / DTS3185A115N4SS DTS3165A230N3LG / DTS3185A230N4SS	DTS3265A115N3LG / DTS3285A115N4SS DTS3265A230N3LG / DTS3285A230N4SS
Rated Capacity	5000-7000 BTU/H (1466-2052 Watts)	9000-12000 BTU/H (2639-3519 Watts)
Type of Refrigerant	134a	134a
Adjustable Control Range	+ 59...+ 131 / + 15...+ 45C Factory setting +95 F (+35C)	+ 59...+ 131 / + 15...+ 45C Factory setting +95 F (+35C)
Max. Ambient Air Temp	+131 F (+55 C)	+131 F (+55 C)
Min. Ambient Air Temp	+59 F (+15 C)	+59 F (+15 C)
Air Capacity (unrestricted)	Internal Circulation 365/341 CFM External Circulation 765/706 CFM	Internal Circulation External Circulation
Condensate Discharge	Condensate Evaporator	Condensate Evaporator
Filter Mat	Filterless	Filterless
Db Noise Level	<70 dB(A)	<70 dB(A)
Unit Weight	108 lbs	150 lbs
Exterior Case	Galvanized Sheet Steel / 304 Stainless Steel	Galvanized Sheet Steel / 304 Stainless Steel
Finish (LG)	RAL7035 Light Grey Powder Finish	RAL7035 Light Grey Powder Finish
Finish (SS)	Polish #3	Polish #3

Technical references and CAD downloads available at www.hammondmfg.com

All dimensions in inches unless specified otherwise

Quality Products. Service Excellence.

Side Mounting DTS Series - NEMA 3R, 4, 4X

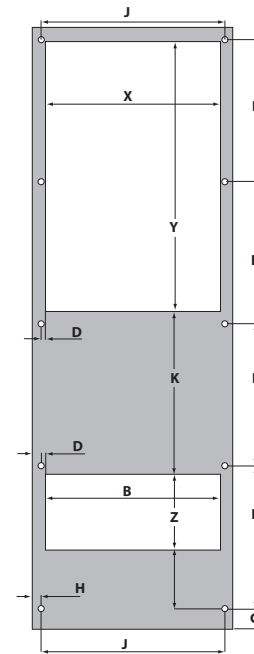
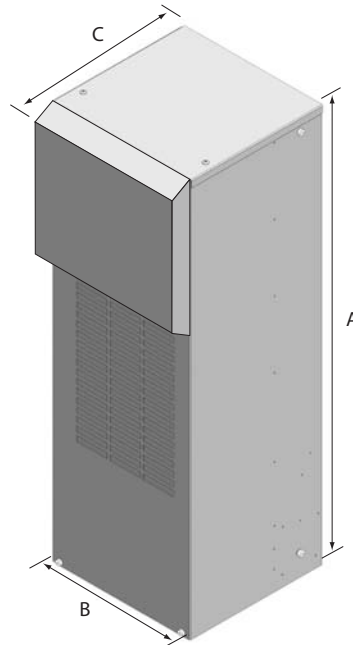
5000 - 7000 & 9000 - 12000 BTU/H - Galvanized Sheet Steel & Stainless Steel

DTS 3165 & DTS 3185

Dimension	inches (mm)
A	36 (914)
B	12.25 (311)
C	14.4 (367)
D	0.3 (8)
E	8.5 (216)
F	8.5 (216)
G	1.3 (32)
H	0.5 (13)
I	3.2 (80)
J	11 (279)
K	9 (228)
X	10.4 (264)
Y	17 (430)
Z	4.7 (118)

Mounting holes \varnothing 10 mm

For exact cutout information
reference drilling template at
pfannenbergsusa.com

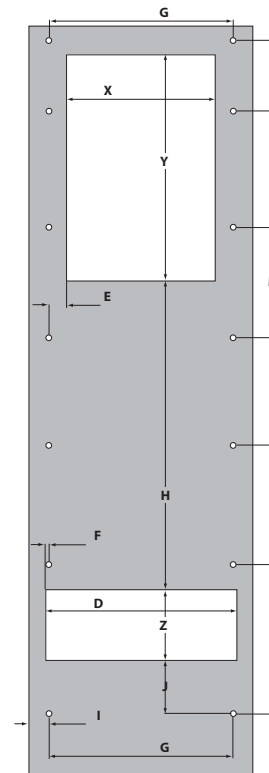
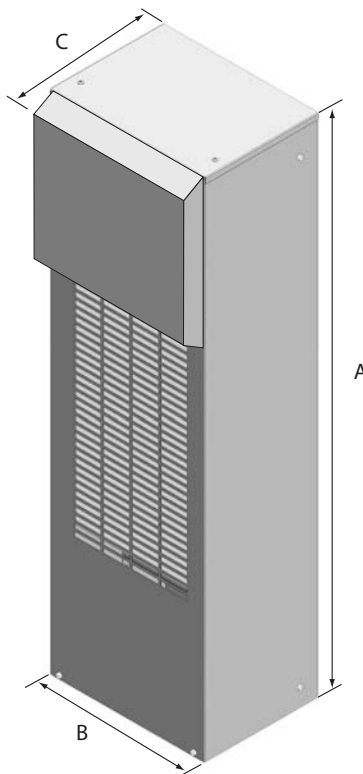


DTS 3265 & DTS 3285

Dimension	inches (mm)
A	53 (1347)
B	16 (406)
C	14.4 (367)
D	13.7 (348)
E	0.98 (25)
F	0.35 (9)
G	13 (330)
H	21.1 (537)
I	1.4 (35)
J	3.6 (92)
K	5.0 (126)
L	8.2 (209)
M	7.8 (198)
N	7.6 (192)
O	8.4 (214)
P	4.5 (114)
Q	10.5 (267)
X	11 (280)
Y	16.8 (427)
Z	5.3 (135)

Mounting holes \varnothing 8 mm

For exact cutout information
reference drilling template at
pfannenbergsusa.com



Side Mounting DTS Series - Large Capacity



NEMA Type 12 Indoor - Side Mount:

	DTS3341A230LG DTS3341A460LG	DTS3541A230LG DTS3541A460LG	DTS3641A230LG DTS3641A460LG
Cooling Capacity (Btu/h*)	12-14000	16-18000	20-24000
External Airflow (CFM)	991	1480	1612
Internal Airflow (CFM)	788	788	1612
NEMA Type Rating	Type 12	Type 12	Type 12
UL Listed or Recognized	Listed	Listed	Listed
Connection Type	Permanent	Permanent	Permanent

Features

- Maintains a UL Tested NEMA Type 12 seal against enclosure
- UL Listed to UL 484, UL File #SA10300, CE approved
- Long internal airpath captures heat above components and provides cool air below
- Powder coated steel cover for rugged environments, easily painted to match machine
- Uses Standard Control logic board
- Condensate Management built into design of unit

Climate Control



NEMA Type 3R/4 Outdoor:

	DTS3361A230N3LG DTS3361A460N3LG	DTS3561A230N3LG DTS3561A460N3LG	DTS3661A230N3LG DTS3661A460N3LG
Cooling Capacity (Btu/h*)	12-14000	16-18000	22-24000
External Airflow (CFM)	991	1480	1612
Internal Airflow (CFM)	788	788	1612
NEMA Type Rating	Type 3R/4	Type 3R/4	Type 3R/4
UL Listed or Recognized	Listed	Listed	Listed
Connection Type	Permanent	Permanent	Permanent

Features

- Maintains a UL Tested NEMA Type 3R/4 or 4/4X seal against enclosure
- UL Listed to UL 484, UL File #SA10300, CE approved
- Long internal airpath captures heat above components and provides cool air below
- Powder coated steel cover for rugged environments, easily painted to match machine
- Uses Standard Control logic board and sump heater standard
- Condensate Management built into design of unit
- Options: Low ambient package, Built-In enclosure heater

NEMA Type 4/4X Stainless Steel Outdoor/Washdown:

	DTS3381A230N4SS DTS3381A460N4SS	DTS3581A230N4SS DTS3581A460N4SS	DTS3681A230N4SS DTS3681A460N4SS
Cooling Capacity (Btu/h*)	12-14000	16-18000	20-24000
External Airflow (CFM)	991	1480	1612
Internal Airflow (CFM)	788	788	1612
NEMA Type Rating	Type 4/4X	Type 4/4X	Type 4/4X
UL Listed or Recognized	Listed	Listed	Listed
Connection Type	Permanent	Permanent	Permanent

Air/Water Heat Exchanger PWS Series - NEMA 12, 3R, 4



Description

- Designed to use various water sources to cool enclosures where ambient conditions involve high temperatures, harsh conditions or are subject to frequent wash-down.

Standards

- UL, cUL, and CE
- Complies with
 - NEMA 12, 3R, 4

Features

- Compatible with chilled water/glycol, tower water and other circulated coolants
- Integrated thermostat & solenoid valve with alarm contact provides automatic temperature control
- Rugged (10 bar) copper tube / aluminum fin heat exchanger w 0.5" NPTF connection
- Side, door or internal mounting provides complete installation flexibility
- Low noise, maintenance-free design
- Exterior case, galvanized steel construction finish RAL7035 Light Gray

Part Number	Dimensions (H x W x D)	Weight (without packaging)
PWS7102A115N4LG	19.68 x 7.87 x 5.91 inches	16 lbs
PWS7102A230N4LG	500 x 200 x 150 mm	7.7 Kg
PWS7152A115N4LG	37.40 x 15.75 x 4.53 inches	46 lbs
PWS7152A230N4LG	950 x 400 x 115 mm	21 Kg
PWS7332A115N4LG	37.50 x 15.75 x 7.48 inches	77 lbs
PWS7332A230N4LG	950 x 400 x 190 mm	35 Kg
PWS7502A115N4LG	55.12 x 18.11 x 9.25 inches	86 lbs
PWS7502A230N4LG	1400 x 460 x 235 mm	39 Kg
PWS7702A230N4LG	70.87 x 23.62 x 12.4 inches	127 lbs
PWS71002A23N4LG	1800 x 600 x 315 mm	57 Kg

Climate Control

Technical Data

Part Number	Cooling Performance * 200 liters/hr (.88gpm)	Adjustable Control Range	Voltage AC	Power Consumption Watts
PWS7102A115N4LG	3241 Btu/h (950 Watts)	+47...+122 F / +8...+70 C (Factory setting +95/+35)	115 v 60Hz	95
PWS7102A230N4LG	3241 Btu/h (950 Watts)	+47...+122 F / +8...+70 C (Factory setting +95/+35)	230 v 50/60Hz	84
PWS7152A115N4LG	5118 Btu/h (1500 Watts)	+47...+122 F / +8...+70 C (Factory setting +95/+35)	115 v 60Hz	186
PWS7152A230N4LG	5118 Btu/h (1500 Watts)	+47...+122 F / +8...+70 C (Factory setting +95/+35)	230 v 50/60Hz	182
PWS7332A115N4LG	10750 Btu/h (3150 Watts)	+47...+122 F / +8...+70 C (Factory setting +95/+35)	115 v 60Hz	453
PWS7332A230N4LG	10750 Btu/h (3150 Watts)	+47...+122 F / +8...+70 C (Factory setting +95/+35)	230 v 50/60Hz	385
PWS7502A115N4LG	17745 Btu/h (5200 Watts)	+47...+122 F / +8...+70 C (Factory setting +95/+35)	115 v 60Hz	384
PWS7502A230N4LG	17745 Btu/h (5200 Watts)	+47...+122 F / +8...+70 C (Factory setting +95/+35)	230 v 50/60Hz	385
PWS7702A230N4LG	34215 Btu/h (7,000 Watts)	+47...+122 F / +8...+70 C (Factory setting +95/+35)	230 v 50/60Hz	680
PWS71002A23N4LG	34215 Btu/h (10,000 Watts)	+47...+122 F / +8...+70 C (Factory setting +95/+35)	230 v 50/60Hz	1200

* Note: Water temperature + 10 C (+50F)with Enclosure ambient +35 C (+95F)

Water Chillers



EB Series



Rack Series

Description

- Designed to provide recirculated coolant for most industrial applications air/water heat exchangers, process cooling, machine hydraulics or motor cooling.

Standards

- Rack Series - UL, cUL, CE
- EB30-50 -UL, cUL (ETL), CE
- EB190-400 - UL, cUL CE

Features

- Pre-engineered, packaged design includes refrigeration, cooling tank & pump and operating controls for "plug and play" operation
- Rack Series provides reliable cooling for indoor applications with heat loads less than 1 Ton
- EB Series allows outdoor installations & many options with capacities to 20 Tons
- Larger sizes available
- Exterior case, galvanized steel construction finish RAL7035 Light Gray

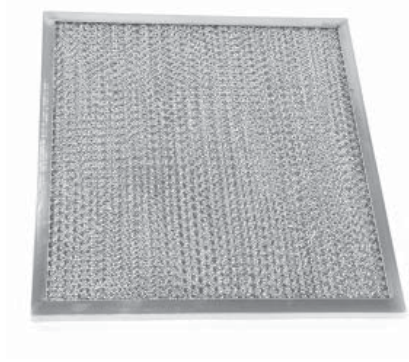
Climate Control

Part Number	Cooling Capacity * BTU/h (watts)	Adjustable Control Range	Voltage AC	Pump Flow Rate GPM (l/min)	Dimensions Height x Width x Depth
RACK1100	4610 BTU/h (1350 W)	+50...+95 F / '+10...+35 C	230 V 50/60 Hz	3.2 (12)	15.55 x 17.72 x 18.90 inches (395 x 450 x 480 mm)
RACK1700	7001 BTU/h (2050 W)	+50...+95 F / '+10...+35 C	230 V 50/60 Hz	3.2 (12)	15.55 x 17.72 x 18.90 inches (395 x 450 x 480 mm)
RACK2400	9220 BTU/h (2700 W)	+50...+95 F / '+10...+35 C	230 V 50/60 Hz	3.7 (14)	19.68 x 22.83 x 22.83 inches (500 x 580 x 580 mm)
EB30WT	16051 BTU/h (4700 W)	+59...+104 F / '+15...+40 C	400 /460 V 3 Phase 50/60 Hz	3.7 (14)	37.60 x 21.65 x 42.02 inches (955 x 550 x 610 mm)
EB60WT	22199 BTU/h (6500 W)	+59...+104 F / '+15...+40 C	400 /460 V 3 Phase 50/60 Hz	5.3 (20)	37.60 x 21.65 x 42.02 inches (955 x 550 x 610 mm)
EP90WT	34152 BTU/h (10000 W)	+59...+104 F / '+15...+40 C	400 /460 V 3 Phase 50/60 Hz	9.25 (35)	50.79 x 27.76 x 30.12 inches (1290 x 705 x 765 mm)
EB150WT	54643 BTU/h (16660 W)	+59...+104 F / '+15...+40 C	400 /460 V 3 Phase 50/60 Hz	9.25 (35)	50.79 x 27.76 x 30.12 inches (1290 x 705 x 765 mm)
EB190WT	71719 BTU/h (21000 W)	+59...+104 F / '+15...+40 C	400 /460 V 3 Phase 50/60 Hz	13.2 (50)	55.51 x 48.43 x 31.10 inches (1410 x 1230 x 790 mm)
EB250WT	94600 BTU/h (27700 W)	+59...+104 F / '+15...+40 C	400 /460 V 3 Phase 50/60 Hz	13.2 (50)	55.51 x 48.43 x 31.10 inches (1410 x 1230 x 790 mm)
EB300WT	112018 BTU/h (32800 W)	+59...+104 F / '+15...+40 C	400 /460 V 3 Phase 50/60 Hz	21.1 (80)	55.51 x 66.14 x 31.10 inches (1410 x 1680 x 790 mm)
EB350WT	130801 BTU/h (38300 W)	+59...+104 F / '+15...+40 C	400 /460 V 3 Phase 50/60 Hz	21.1 (80)	55.51 x 66.14 x 31.10 inches (1410 x 1680 x 790 mm)
EB400WT	151634 BTU/h (44400 W)	+59...+104 F / '+15...+40 C	400 /460 V 3 Phase 50/60 Hz	21.1 (80)	55.51 x 66.14 x 31.10 inches (1410 x 1680 x 790 mm)

Note: Cooling capacity including power loss in pump, water outlet temperature +64F (18C) , ambient temperature +90 F (+32C)

Air Conditioner Accessories

Filter Kits for DTS3XXX Series



- Field install kit for Condenser Fan intake
- Washable Aluminum mesh

Part Number	Description
815065000	Filter kit for DTS30xx series
18881500000	Filter kit for DTS31xx series
18881500006	Filter kit for DTS31x 1SL/31x5 series
18881500001	Filter kit for DTS32xx series
18881500007	Filter kit for DTS32x5 series
18881500002	Filter kit for DTS33 xx series
18881500003	Filter kit for DTS35xx series
18881500004	Filter kit for DTS36xx series

Water Condensate Evaporator

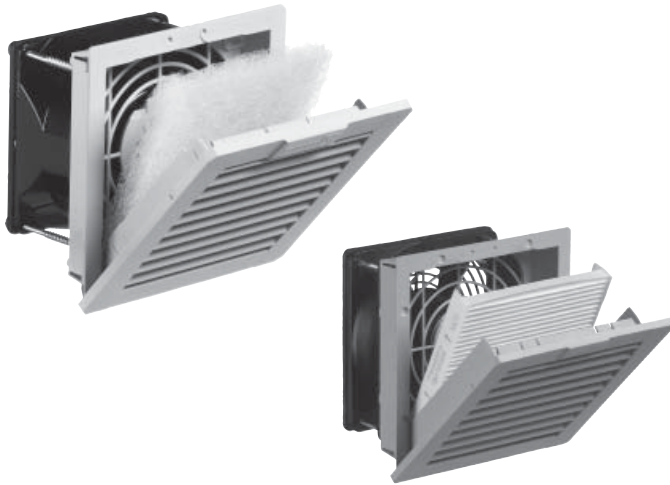


Part No. **KVDTX**

- High performance evaporation kit
- Easy to retrofit on any cooling unit

Technical Data	
Max. Water Volume	13.5 oz (400 ml)
Evaporation Rate	3.4 oz/hr (100 ml/hr)
Electrical Data	
Voltage(s)	230v /115v
Frequency	50/60 Hz
Voltage Range	100-240v
Max. Power	125 W
Power Range	20-110 W
Nominal Current	0.5 A (230v) / 0.8 A (115v)
Starting Current	1.3 A
Zero Water Current	0.09 A (230v) / 0.18 A (115v)
Mechanical Data	
Height x Width x Depth	3.35" x 10.35" x 4.00" (85 x 263 x 102 mm)
Finish	Stainless Steel
Weight	2.6 lbs (1.175 Kg)

Filterfan PF 11000-22000 / Exhaust Filter PFA 10000-20000



Features

- Maintains a UL Tested NEMA Type 12 seal against enclosure
- UL Recognized to UL 508a, category NITW2/8, UL File #E175229
- CSA #246217
- Patented "Click & Fit" design provides a hardware-free installation!
- Plastic made from strong, heat resistant (ABS-FR), UL 94 VO fire approved material
- Options: Black grills

Part Number	Voltage	Power	Mating Exhaust Filter	Ship Wt. lbs.
PF11000T12LG	115V	11W	PFA10000LG	1.5
PF11000T12LG230	230V	11W	PFA10000LG	1.5
PF11000T12LG24	24V* DC	2W	PFA10000LG	1.5
PF22000T12LG	115V	20W	PFA20000LG	2
PF22000T12LG230	230V	18W	PFA20000LG	2
PF22000T12LG24	24V* DC	5W	PFA20000LG	2

Climate Control

Airflow data	PF 11000	PF 22000	PFA 10000	PFA20000
Filter material	Type 12 synthetic filter mat	Type 12 fluted filter mat	Type 12 synthetic filter mat	Type 12 fluted filter mat
Unimpeded airflow	17 CFM	38 CFM	-	-
Cooling Dissipation (W) / °T	10 W/K	21 W/K	-	-
Airflow in combination	11 CFM	28 CFM	-	-
(Filterfan + Exhaust Filter)	(PF 11000 + PFA 10000)	(PF 22000 + PFA 20000)	-	-
Capacity in combination	6 W/K	15 W/K	-	-
(Filterfan + Exhaust Filter)	(PF 11000 + PFA 10000)	(PF 22000 + PFA 20000)	-	-
Max. static pressure (Airflow = 0 m3/h)	38 Pa	57 Pa	-	-
Filtration efficiency	88%	91%	88/91%	88/91%
Filter material grade	G 3 (DIN EN 779)	G 4 (DIN EN 779)	G3/ G4 (DIN EN 779)	G3/ G4 (DIN EN 779)
Duty cycle	100%	100%	-	-

Technical data	PF 11000	PF 11000	PF 22000	PF 22000	PFA 10000
	AC	DC	AC	DC	PFA 20000
Outside dimensions in mm (height x width x installation depth)	109 x 109 x 62	109 x 109 x 49	145 x 145 x 70	145 x 145 x 64	109 x 109 x 26/ 145 x 145 x 26
Bearing type	sleeve bearings	ball bearings	sleeve bearings	ball bearings	-
Fitting position	vertical	any	vertical	any	-
Construction	housing and guard of sprayed thermoplastic, self-extinguishing, UL 94 VO				
Weight	0.55 kg	0.16 kg	0.7 kg	0.44 kg	0.06 kg / 0.12 kg
Safety protection	in accordance with DIN 31 001				
Color	RAL 7035, Light Grey				
Connection	2 wires, 310 mm long		terminal strip		

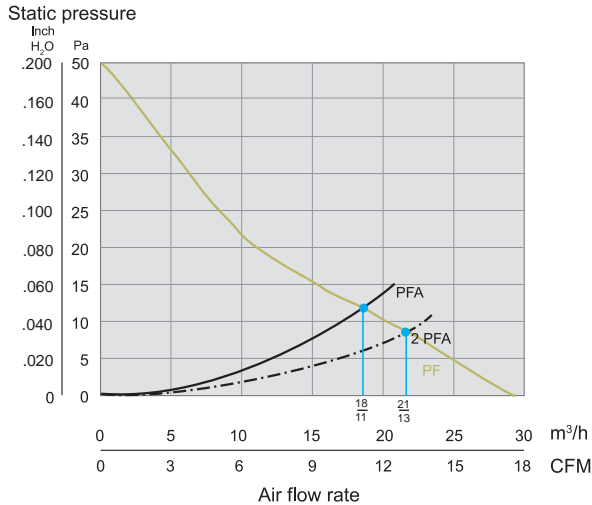
 Technical references and CAD downloads available at www.hammondmfg.com

All dimensions in inches unless specified otherwise

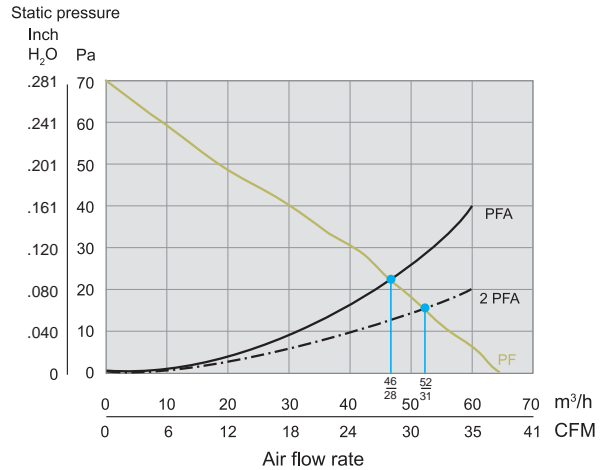
Filterfan PF 11000-22000 / Exhaust Filter PFA 10000-20000

Airflow Data:

PF 11.000 IP54 / PFA 10.000 IP54

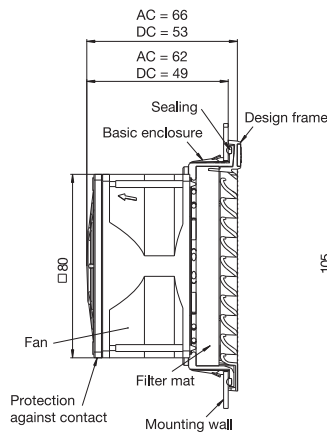


PF 22.000 IP55 / PFA 20.000 IP55

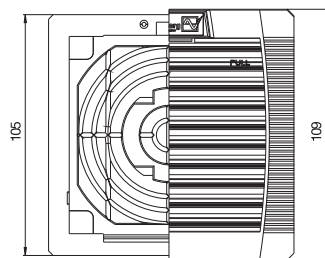


Mechanical Data:

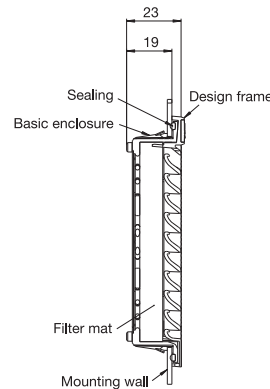
PF 11000



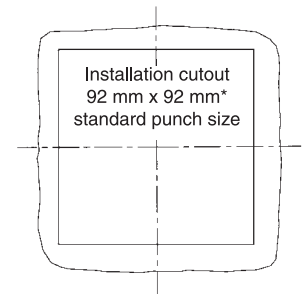
PF 11000 + PFA 10000



PFA 10000

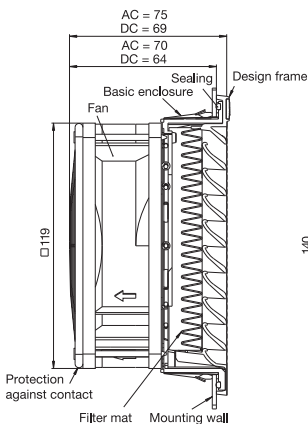


Cutout

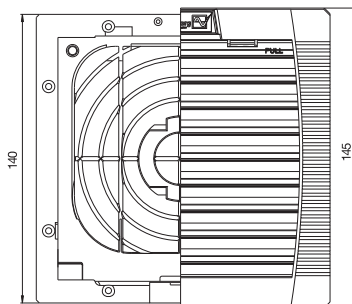


Mechanical Data:

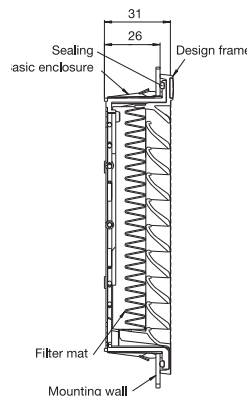
PF 22000



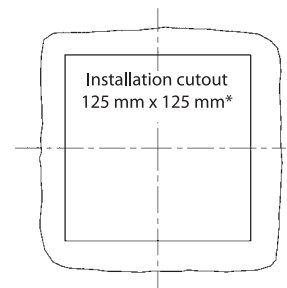
PF 22000 + PFA 20000



PFA 20000



Cutout



Climate Control

Technical references and CAD downloads available at www.hammondmfg.com

All dimensions in inches unless specified otherwise

Quality Products. Service Excellence.

Filterfan PF 32000 / Exhaust Filter PFA 30000



Features

- Maintains a UL Tested NEMA Type 12 seal against enclosure
- UL Recognized to UL 508a, category NITW2/8, UL File #E175229
- CSA #246217
- Patented "Click & Fit" design provides a hardware free installation!
- Plastic made from strong, heat resistant (ABS-FR), UL 94 VO fire approved material
- Options: Black Grills

Part Number	Voltage	Power	Mating Exhaust Filter	Ship Wt. lbs.
PF32000T12LG	115V	20W	PFA30000LG	3
PF32000T12LG230	230V	18W	PFA30000LG	3
PF32000T12LG24	24V* DC	5W	PFA30000LG	3

Airflow data	PF 32000	PFA 30000
Filter material	Type 12 filter mat	Type 12 filter mat
Unimpeded airflow	65 CFM	-
Cooling Dissipation (W)/°T	37 W/K	-
Airflow in combination	38 CFM	-
(Filterfan + Exhaust Filter)	(PF 32000 + PFA 30000)	-
Capacity in combination	21 W/K	-
(Filterfan + Exhaust Filter)	(PF 32000 + PFA 30000)	-
Max. static pressure (Airflow = 0 m3/h)	61 Pa	-
Filtration efficiency	91%	91%
Filter material grade	G 4 (DIN EN 779)	G 4 (DIN EN 779)
Duty cycle	100%	-

Technical data	PF 32000	PF 32000	PFA 30000
	AC	DC	
Outside dimensions in mm (height x width x installation depth)	202 x 202 x 87	202 x 202 x 81	202 x 202 x 34
Bearing type	sleeve bearings	ball bearings	-
Fitting position	vertical	any	any
Construction	housing and guard of sprayed thermoplastic, self-extinguishing, UL 94 VO		
Weight	0.87 kg	0.61 kg	0.26 kg
Safety protection	in accordance with DIN 31 001		
Color	RAL 7035, Light Grey		
Connections	terminal strip	cage clamp	-
Approval	NEMA Type 12, IP 55 (EN 60 529), when installed as specified		

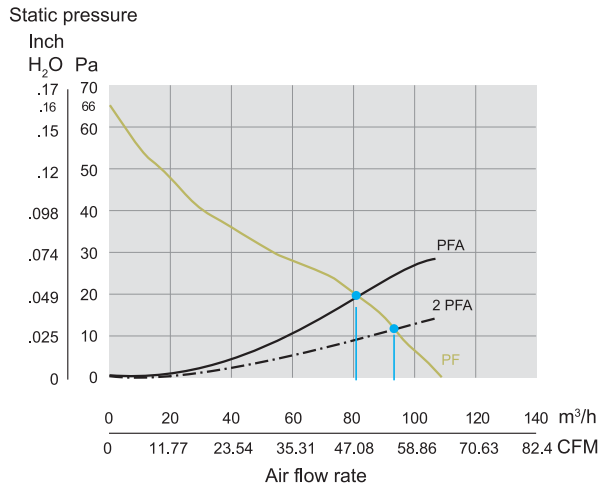
Technical references and CAD downloads available at www.hammondmfg.com

All dimensions in inches unless specified otherwise

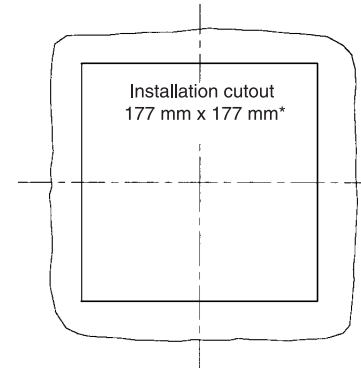
Filterfan PF 32000 / Exhaust Filter PFA 30000

Airflow Data:

PF 32.000 IP54 / PFA 30.000 IP54

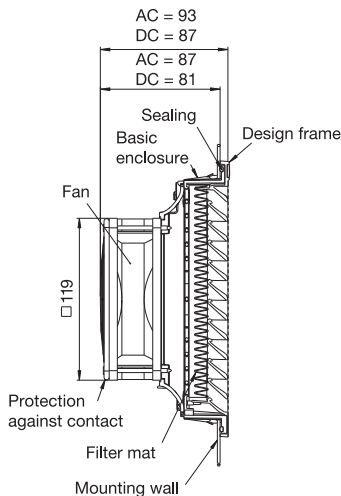


PF 32000 + PFA 30000

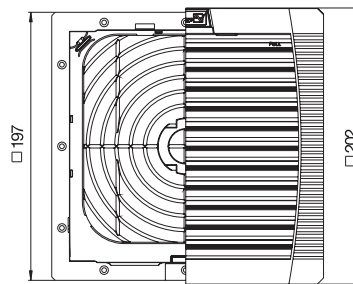


Mechanical Data:

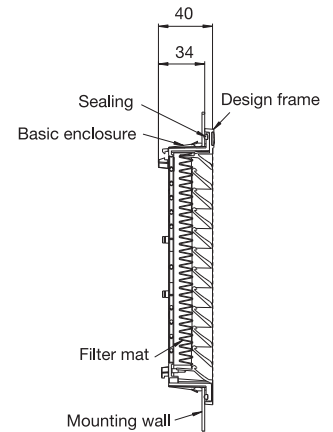
PF 32000



PF 32000 + PFA 30000



PFA 30000



Climate Control

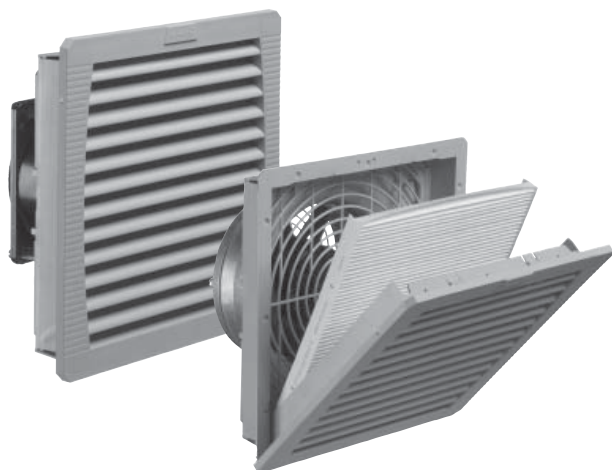
Supplementary data	PF 32000 AC	PF 32000 DC	PFA 30000
Operating temperature	- 15 °C (- 5 °F) to / bis + 55 °C (+ 131 °F)		
Storage temperature	- 20 °C (- 4 °F) to / bis + 70 °C (+ 158 °F)		
Max. relative humidity	90%		
System of protection	NEMA Type 12, IP 55 (EN 60 529), when installed as specified		
Basic Accessories	parts kit filter mat, user manual radiant heater, fan heater, thermostat, hygostat		
* Tolerance installation cutout	177 + 1/-0 thickness of material to 2 mm		
	178 + 1/-0 thickness of material > 2 mm < 3 mm		

Technical references and CAD downloads available at www.hammondmfg.com

All dimensions in inches unless specified otherwise

Quality Products. Service Excellence.

Filterfan PF 42500-43000 / Exhaust Filter PFA 40000



Features

- Maintains a UL Tested NEMA Type 12 seal against enclosure
- UL Recognized to UL 508a, category NITW2/8, UL File #E175229
- CSA #246217
- Patented “Click & Fit” design provides a hardware free installation!
- Plastic made from strong, heat resistant (ABS-FR), UL 94 VO fire approved material
- Options: Black Grills

Part Number	Voltage	Power	Mating Exhaust Filter	Ship Wt. lbs.
PF42500T12LG	115V	20W	PFA40000LG	4
PF42500T12LG230	230V	18W	PFA40000LG	4
PF42500T12LG24	24V* DC	5W	PFA40000LG	4
PF43000T12LG	115V	40W	PFA40000LG	5
PF43000T12LG230	230V	39W	PFA40000LG	5
PF43000T12LG24	24V* DC	12W	PFA40000LG	5

Climate Control

Airflow data	PF 42500	PF 43000	PFA 40000
Filter material	NEMA Type 12 Filtermat	NEMA Type 12 Filtermat	NEMA Type 12 Filtermat
Unimpeded airflow	94 CFM	169 CFM	-
Cooling Dissipation (W)/°T	53 W/K	188 W/K	-
Airflow in combination	67 CFM	142 CFM	-
(Filterfan + Exhaust Filter)	(PF 42500 + PFA 40000)	(PF 43000 + PFA 40000)	
Capacity in combination	38 W/K	69 W/K	-
(Filterfan + Exhaust Filter)	(PF 43000 + PFA 40000)	(PF 43000 + PFA 40000)	
Max. static pressure (Airflow = 0 m3/h)	49 Pa	112 Pa	-
Filtration efficiency	91%	91%	91%
Filter material grade	G 4 (DIN EN 779)	G 4 (DIN EN 779)	G 4 (DIN EN 779)
Duty cycle	100%	100%	-

Technical data	PF 42500 AC / DC	PF 43000 AC / DC	PFA 40000
Outside dimensions in mm (height x width x installation depth)	252 x 252 x 97	252 x 252 x 113	252 x 252 x 38
Bearing type	ball bearings	ball bearings	-
Fitting position	any, horizontal airflow preferred		any
Construction	housing and guard of sprayed thermoplastic, self-extinguishing, UL 94 VO		
Weight	1.18 kg	1.67 kg	0.46 kg
Safety protection	in accordance with DIN 31 001		
Color	RAL 7035, Light Grey		
Connections	cage clamp	cage clamp	
Approval	NEMA Type 12, IP 55 (EN 60 529), when installed as specified		

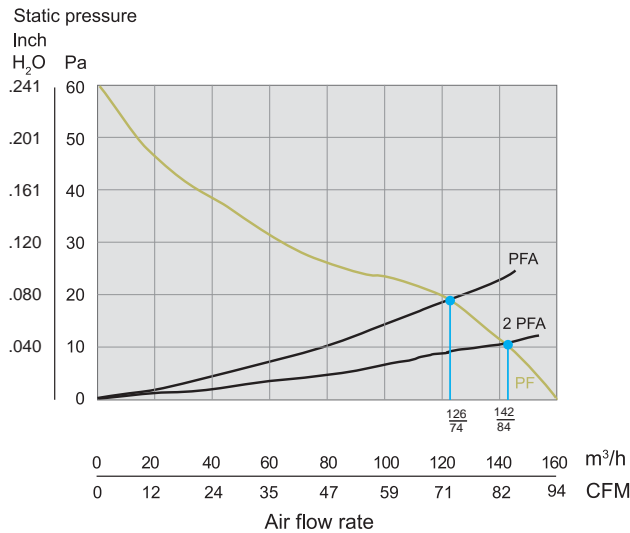
 Technical references and CAD downloads available at www.hammondmfg.com

All dimensions in inches unless specified otherwise

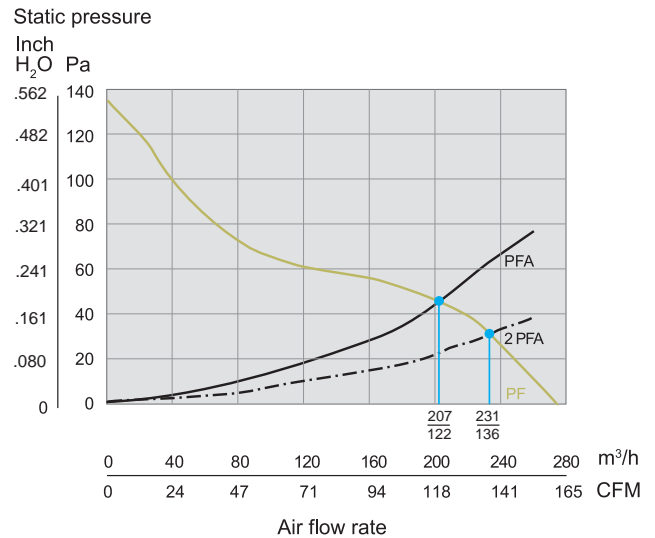
Filterfan PF 42500-43000 / Exhaust Filter PFA 40000

Airflow Data:

PF 42.500 IP55 / PFA 40.000 IP55

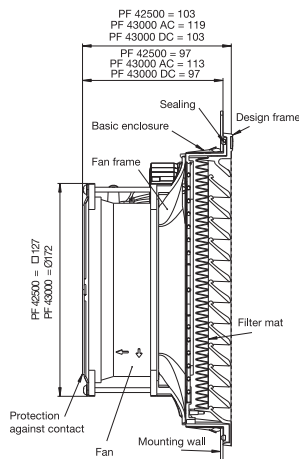


PF 43.000 IP55 / PFA 40.000 IP55

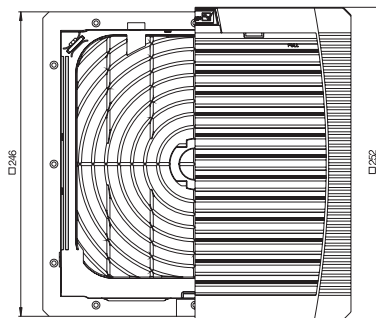


Mechanical Data:

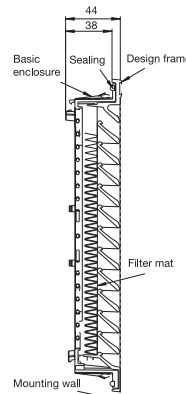
PF 42500, PF 43000



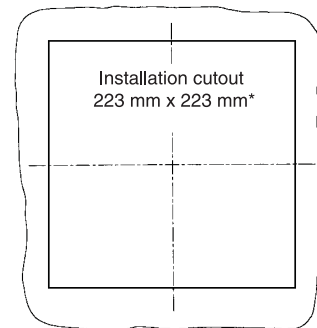
PF 42500 PF 43000, PFA 40000



PFA 40000



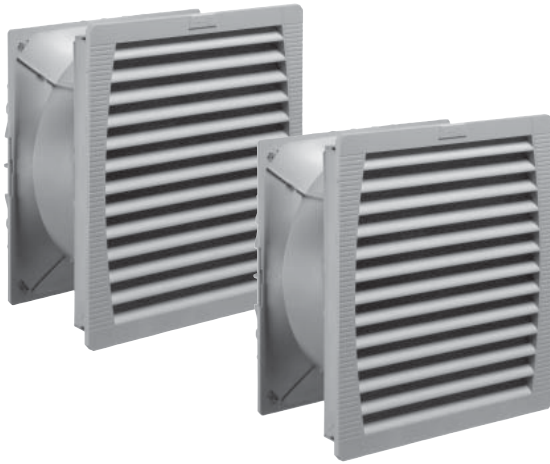
PF 42500, PF 43000 + PFA 40000



Climate Control

Supplementary data	PF 42500	PF 43000	PFA 40000
Operating temperature	- 15 °C (- 5 °F) to / bis + 55 °C (+ 131 °F)		
Storage temperature	- 20 °C (- 4 °F) to / bis + 70 °C (+ 158 °F)		
Max. relative humidity	90%		
System of protection	NEMA Type 12, IP 55 (EN 60 529), when installed as specified		
Basic Accessories	parts kit filter mat, user manual radiant heater, fan heater, thermostat, hygrostat		
* Tolerance installation cutout	177 + 1/-0 thickness of material to 2 mm 178 + 1/-0 thickness of material > 2 mm < 3 mm		

Filterfan PF 65000, 66000, 67000 / Exhaust Filter PFA 60000



Features

- Maintains a UL Tested NEMA Type 12 seal against enclosure
- UL Recognized to UL 508a, category NITW2/8, UL File #E175229
- CSA #246217
- Patented "Click & Fit" design provides a hardware free installation!
- Plastic made from strong, heat resistant (ABS-FR), UL 94 VO fire approved material
- Options: Black Grills
Reverse Flow Exhaust

Part Number	Voltage	Power	Mating Exhaust Filter	Ship Wt. lbs.
PF65000T12LG	115V	90W	PFA60000LG	7.5
PF65000T12LG230	230V	150W	PFA60000LG	7.5
PF66000T12LG	115V	160W	PFA60000LG	8
PF66000T12LG230	230V	150W	PFA60000LG	8
PF67000T12LG	115V	95W	PFA60000LG	8
PF67000T12LG230	230V	214W	PFA60000LG	8

Airflow data	PF 65000	PF 66000	PF 67000	PFA 60000
Filter material	Type 12 Filtermat	Type 12 Filtermat	Type 12 Filtermat	Type 12 Filtermat
Unimpeded airflow	297 CFM	462 CFM	560 CFM	-
Cooling Dissipation (W)/°T	168 W/K / 168 W/K	257 W/K / 262 W/K	308 W/K / 317 W/K	-
Airflow in combination	224 CFM	295 CFM	368 CFM	-
(Filterfan + Exhaust Filter)	(PF 65000 + PFA 60000)	(PF 66000 + PFA 60000)	(PF 67000 + PFA 60000)	-
Capacity in combination	127 W/K	167 W/K	208 W/K	-
(Filterfan + Exhaust Filter)	(PF 65000 + PFA 60000)	(PF 66000 + PFA 60000)	(PF 67000 + PFA 60000)	-
Max. static pressure (Airflow = 0)	74 Pa	134 Pa	187 Pa	-
Filtration efficiency	91%	91%	91%	91%
Filter material grade	G 4 (DIN EN 779)	G 4 (DIN EN 779)	G 4 (DIN EN 779)	G 4 (DIN EN 779)
Duty cycle	100%	100%	100%	-

Technical data	PF 65000	PF 66000	PF 67000	PFA 60000
Outside dimensions in mm (height x width x installation depth)	320 x 320 x 150	320 x 320 x 150	320 x 320 x 150	320 x 320 x 39
Bearing type	ball bearings	ball bearings	ball bearings	-
Fitting position	any, horizontal airflow preferred		any	-
Construction	housing and guard of sprayed thermoplastic, self-extinguishing, UL 94 VO			
Weight	3.2 kg	3.2 kg	3.7 kg	0.7 kg
Safety protection	in accordance with DIN 31 001			-
Color				RAL 7035, Light Grey
Connections	cage clamp	cage clamp	cage clamp	-
Approval	NEMA Type 12, IP 55 (EN 60 529), when installed as specified			

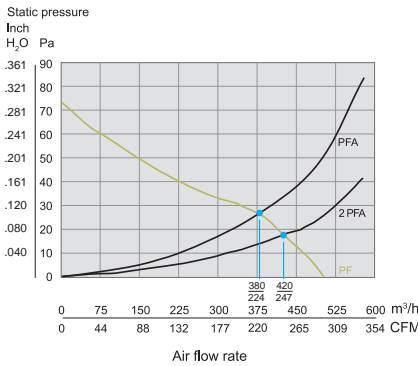
Technical references and CAD downloads available at www.hammondmfg.com

All dimensions in inches unless specified otherwise

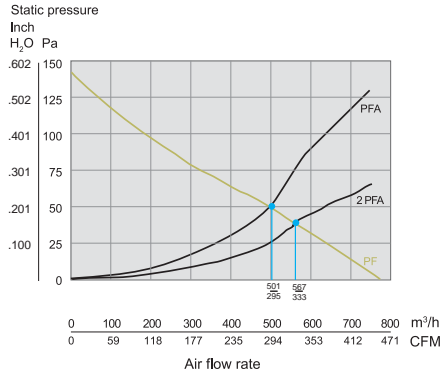
Filterfan PF 65000, 66000, 67000 / Exhaust Filter PFA 60000

Airflow Data:

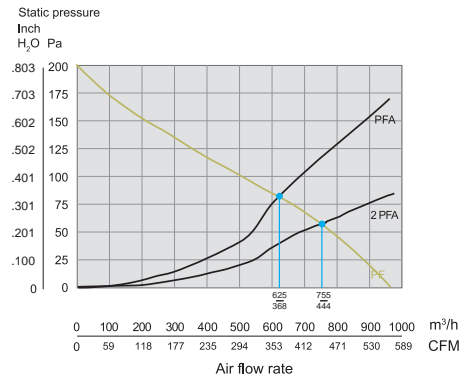
PF 65.000 IP55 / PFA 60.000 IP55



PF 66.000 IP55 / PFA 60.000 IP55

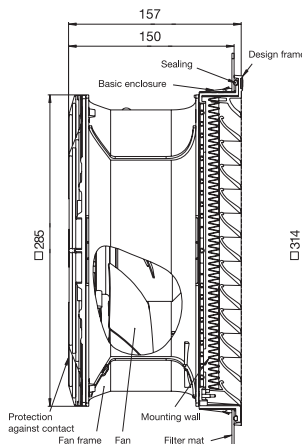


PF 67.000 IP55 / PFA 60.000 IP55

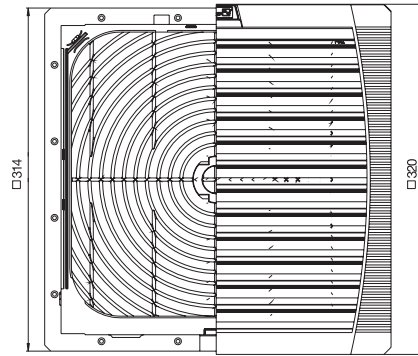


Mechanical Data:

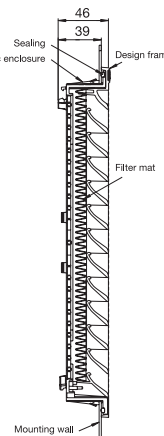
PF 65000, PF 66000,
PF 67000



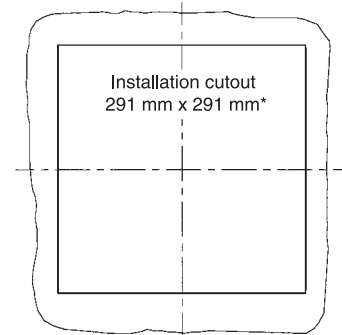
PF 65000, PF 66000,
PF 67000 + PFA 60000



PFA 60000



PF 65000, PF 66000,
PF 67000 + PFA 60000



Climate Control

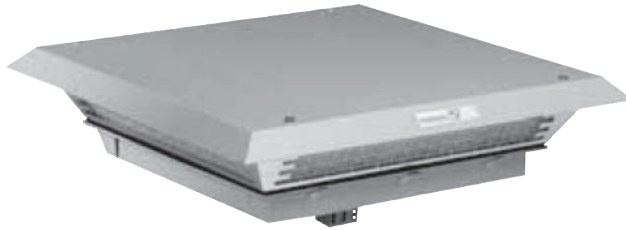
Supplementary data	PF 65000	PF 66000	PF 67000
Operating temperature	- 15 °C (- 5 °F) to / bis + 55 °C (+ 131 °F)		
Storage temperature	- 20 °C (- 4 °F) to / bis + 70 °C (+ 158 °F)		
Max. relative humidity	90%		
System of protection	NEMA Type 12, IP 55 (EN 60 529), when installed as specified		
Basic Accessories	parts kit filter mat, user manual radiant heater, fan heater, thermostat, hygrostat		
* Tolerance installation cutout	177 + 1/-0 thickness of material to 2 mm 178 + 1/-0 thickness of material > 2 mm < 3 mm		

Technical references and CAD downloads available at www.hammondmfg.com

All dimensions in inches unless specified otherwise

Quality Products. Service Excellence.

Filterfan PTF 60500, 60700, 61000 / Exhaust Filter PTFA 60000



Features

- Maintains a NEMA 12 seal against enclosure
- UL Recognized to UL 508a, category NITW2/8, UL File #E175229
- Patented “Click & Fit” design provides a hardware-free installation!
- Metal Pagoda Cover for rugged environments, easily painted to match machine color
- Fan Motor is CSA Approved

Part Number	Voltage	Power	Mating Exhaust Filter	Ship Wt. lbs.
PTF60500LG	115V	24W	PFA60000LG	14
PTF60500LG230	230V	24W	PFA60000LG	14
PTF60700LG	115V	90W	PFA60000LG	14
PTF60700LG230	230V	80W	PFA60000LG	14
PTF61000LG	115V	170W	PFA60000LG	15
PTF61000LG230	230V	150W	PFA60000LG	15

Airflow data	PTF 60500	PTF 60700	PTF 61000	PTFA 60000
Filter material	NEMA 12 Filtermat	NEMA 12 Filtermat	NEMA 12 Filtermat	NEMA 12 Filtermat
Unimpeded airflow	226 CFM	356 CFM	485 CFM	-
Cooling Dissipation (W)/°T	113 W/K	177 W/K	242 W/K	-
Airflow in combination	149 CFM	227 CFM	304 CFM	-
(Filterfan + Exhaust Filter)	(PTF 60500 + PFA 60000)	(PTF 60700 + PFA 60000)	(PTF 61000 + PFA 60000)	-
Capacity in combination	74 W/K	113 W/K	152 W/K	-
(Filterfan + Exhaust Filter)	(PTF 60500 + PFA 60000)	(PTF 60700 + PFA 60000)	(PTF 61000 + PFA 60000)	-
Max. static pressure (Airflow = 0)	71 Pa	88 Pa	158 Pa	-
Filtration efficiency	81%	81%	81%	-
Filter material grade	G 3 (DIN EN 779)	G 3 (DIN EN 779)	G 3 (DIN EN 779)	-
Duty cycle	100%	100%	100%	-

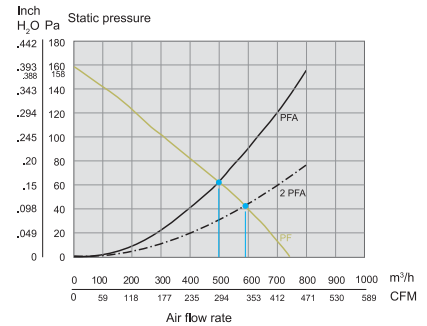
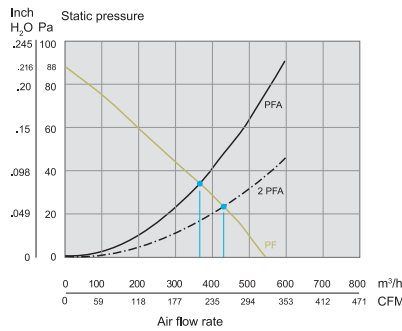
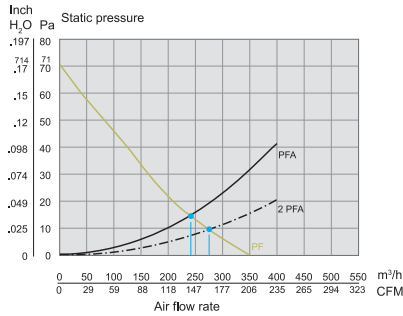
Technical data	PTF 60500	PTF 60700	PTF 61000	PTFA 60000
Outside dimensions in mm (height x width x installation depth)	125 x 430 x 430 x 50	140 x 470 x 470 x 50	140 x 470 x 470 x 50	-
Bearing type	ball bearings	ball bearings	ball bearings	-
Fitting position	horizontal	horizontal	horizontal	any
Construction	metal chassis cover powder coated, snap-in plastic housing			
Weight	5.5 kg	5.8 kg	6.0 kg	3.1 kg
Safety protection	in accordance with DIN 31 001			
Color	RAL 7035, Light Grey			
Connections	terminal strip	terminal strip	terminal strip	-
Approval	NEMA Type 12, IP 55 (EN 60 529), when installed as specified			

Technical references and CAD downloads available at www.hammondmfg.com

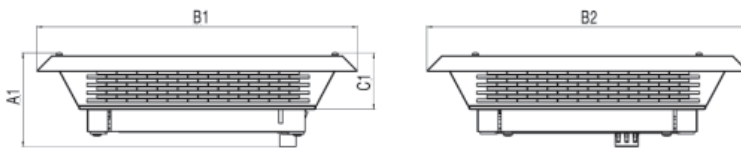
All dimensions in inches unless specified otherwise

Filterfan PTF 60500, 60700, 61000 / Exhaust Filter PTFA 60000

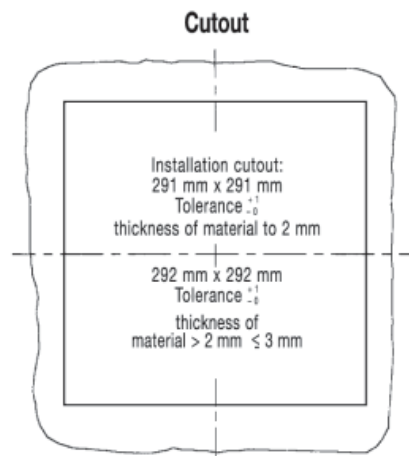
Airflow Data:



Mechanical Data:



	PTF 60500	PTF 60700	PTF 61000	PTFA 60000
A1	125	140	140	110*
B1/B2	430	470	470	430
C1	75	90	90	75



Climate Control

Airflow data:	PTFA 60000
Filter material	P 300
Filtration efficiency	81%
Filter material grade (DIN EN 779)	G 3

Technical data:	PFTA 60000
Outside dimensions in mm (Height x Width x Depth x Installation depth)	110 x 430 x 430 x 35
Construction	metal chassis, cover powder-coated; snap-in body of sprayed thermoplastic (ABS-FR) self-extinguishing, UL 94 VO
Weight	3.1 kg
Safety protection	in accordance with DIN 31 001
Color	RAL 7035, RAL 7032, other colors on request

Supplementary data:	PFTA 60000
Operating temperature	-10 C (+14 F) to +55 C (+131 F)
Storage temperature	-20 C (-4 F) to +70 C (+158 F)
Max. relative humidity	90%
System of protection	IP 33, IP 54 (EN 60 529), when installed as specified
Accessories	radiant heater, fan heater, thermostat, see Thermal Management
Tolerance installation cutout	291 thickness of material to 2 mm, 292 thickness of material > 2 mm < 3mm

Technical references and CAD downloads available at www.hammondmfg.com

All dimensions in inches unless specified otherwise

Quality Products. Service Excellence.

Slimline Filterfan PF 33000, 65000, 67000 SL



Features

- Low installation depth
- Maintains a UL Tested NEMA Type 12 seal against enclosure
- UL Recognized to UL 508a, category NITW2/8, UL File #E175229
- CSA #246217
- Patented “Click & Fit” design provides a hardware free installation!
- Plastic made from strong, heat resistant (ABS-FR), UL 94 VO fire approved material
- Options: Black Grills
Reverse Flow Exhaust

Part Number	Voltage	Power	Mating Exhaust Filter	Ship Wt. lbs.
PF33000T12LGSL	115V	20W	PFA30000LG	4
PF33000T12LGSL2	230V	19W	PFA30000LG	4
PF330DCT12LGSL2	24V DC	5W	PFA30000LG	4
PF65000T12LGSL	115V	80W	PFA60000LG	8
PF65000T12LGSL2	230V	80W	PFA60000LG	8
PF67000T12LGSL	115V	120W	PFA60000LG	10
PF67000T12LGSL2	230V	127W	PFA60000LG	10
PF67000T12LGSL4	400V/460V	110W	PFA60000LG	10

Airflow data	PF 33000 SL	PF 65000 SL	PF 67000 SL
Filter material	Type 12 Filtermat	Type 12 Filtermat	Type 12 Filtermat
Unimpeded airflow	297 CFM	462 CFM	560 CFM
Cooling Dissipation (W)/°T	168 W/K	262 W/K	317 W/K
Airflow in combination	230 CFM	295 CFM	368 CFM
(Filterfan + Exhaust Filter)	(PF 33000 + PFA 30000)	(PF 65000 + PFA 60000)	(PF 67000 + PFA 60000)
Capacity in combination	127 W/K	167 W/K	208 W/K
(Filterfan + Exhaust Filter)	(PF 33000 + PFA 30000)	(PF 65000 + PFA 60000)	(PF 67000 + PFA 60000)
Max. static pressure (Airflow = 0)	74 Pa	134 Pa	187 Pa
Filtration efficiency	91%	91%	91%
Filter material grade	G 4 (DIN EN 779)	G 4 (DIN EN 779)	G 4 (DIN EN 779)
Duty cycle	100%	100%	100%

Technical data	PF 33000SL	PF 65000SL	PF 67000SL
Outside dimensions in mm (height x width x installation depth)	202 x 202 x 87	320 x 320 x 124	320 x 320 x 127
Cut Out Dimension	177 x 177	291 x 291	291 x 291
Bearing type	ball bearings	ball bearings	ball bearings
Fitting position	any, horizontal airflow preferred		any
Construction	housing and guard of sprayed thermoplastic, self-extinguishing, UL 94 VO		
Weight	3.2 kg	3.2 kg	3.7 kg
Safety protection	in accordance with DIN 31 001		
Color	RAL 7035, Light Grey		
Connections	cage clamp	cage clamp	cage clamp
Approval	NEMA Type 12, IP 55 (EN 60 529), when installed as specified		

Technical references and CAD downloads available at www.hammondmfg.com

All dimensions in inches unless specified otherwise

Quality Products. Service Excellence.

Filterfan Accessories

Exhaust Filters:



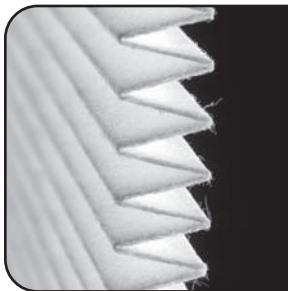
Part Number	Filtration Efficiency %
PFA10000LG*	88%
PFA20000LG	91%
PFA30000LG	91%
PFA40000LG	91%
PFA60000LG	91%

* Standard grill color: RAL 7035 Light Grey

Features

- Maintains a UL Tested NEMA Type 12 seal against enclosure
- UL Recognized to UL 508a, category NITW2/8, UL File #E175229
- CSA #246217
- Patented "Click & Fit" design provides a hardware free installation!
- Plastic made from strong, heat resistant (ABS-FR) UL 94 VO fire approved material

Replacement Filters:



Part Number	Use with 4th Gen FF
PFF10000*	PF/PFA 1XXXX
PFF20000	PF/PFA 2XXXX
PFF30000	PF/PFA 3XXXX
PFF40000	PF/PFA 4XXXX
PFF60000	PF/PFA 6XXXX

* Standard synthetic fiber filter.

Features

- Special patent pending fluted filter design increases the time between maintenance by 3X.
- Allows for greater CFM in dirty environments
- Sold in Packs of 5.

Climate Control

PF Filter Fans



PF3000 and PF2000

Description

- This line of fans provides innovative technology for fan cooling and pressurizing of industrial cabinets. A high quality filter fan provides an economical method of ensuring your enclosure does not overheat.
- Filtered passive ventilation can be provided by an exhaust filter for either convection cooling or in combination with a fan in forced air cooling.
- The slim-line design of this fan line is unique, when installed, the front louvered grill protrudes less than one quarter inch. The attractive grill maintains the sleek aesthetics of an enclosure system.

Standards

- UR, CUR and CE.
- Built to IP54 standards (except PF1000/PFA1000 - IP43 standards).
- Maintains NEMA 12 integrity of enclosure.
- Fan CSA Listed.

Features

- Available in 115V and 230V versions
- High performance fan motors with finger guards.
- ABS-FR grills (except PF1000 Series which is polystyrene FR).
- Durable, reusable filter mat.
- Grills are black allowing for a complementary match to all cabinet colors.
- Integral gasket to seal against enclosure. (except PF1000 - use PFG1000)

Easy Installation

- The patented "Click and Fit" system allows for rapid filter fan and exhaust filter installation without screws.
- After using the convenient cutout template (provided with every unit), the fan and/or exhaust filter just snaps into the opening.

Options

- Reverse flow (exhaust) available on 5,6,7000 models

Accessories

- Exhaust filters...see page 385
- Replacement grills...see page 385
- Replacement filters...see page 385

Climate Control

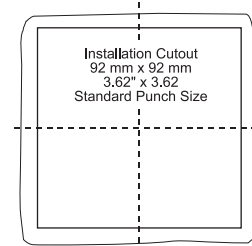
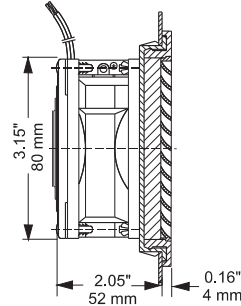
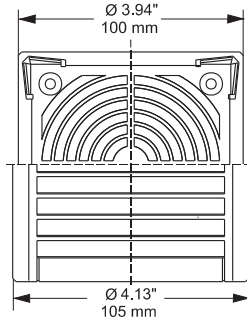
Part No.	Voltage	Free Flow Air Delivery (CFM)	Air Delivery w/Exhaust (CFM)	Max. Static Pressure (Pa)	Filter Density (g/m ²)	Filtering Level	Sound Level (dB)	Connector Type	Ambient Temp. °F Max/Min	Comparable IP Standard	Ship Wt. lbs
PF1000	115	16	10	29	150	73%	39	2 - 12" wires	140/14	IP43	1.5
PF2000	115	38	28	69	150	73%	49	terminal strip	122/14	IP54	2
PF2500	115	89	62	57	150	73%	55	terminal strip	122/14	IP54	4
PF3000	115	169	142	89	150	73%	55	terminal strip	122/14	IP54	4
PF5000	115	324	249	205	150	73%	69	terminal strip	122/14	IP54	7
PF6000	115	410	295	225	150	73%	71	terminal strip	122/14	IP54	8
PF7000	115	506	368	158	150	73%	72	terminal strip	122/14	IP54	8
PF1000230	230	16	10	29	150	73%	39	2 - 12" wires	140/14	IP43	1.5
PF2000230	230	38	28	69	150	73%	49	terminal strip	122/14	IP54	2
PF2500230	230	89	62	57	150	73%	55	terminal strip	122/14	IP54	4
PF3000230	230	169	142	89	150	73%	55	terminal strip	122/14	IP54	4
PF5000230	230	324	249	205	150	73%	69	terminal strip	122/14	IP54	7
PF6000230	230	410	295	225	150	73%	71	terminal strip	122/14	IP54	8
PF7000230	230	506	368	158	150	73%	72	terminal strip	122/14	IP54	8

Technical references and CAD downloads available at www.hammondmfg.com

All dimensions in inches unless specified otherwise

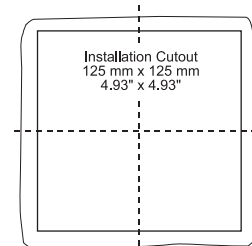
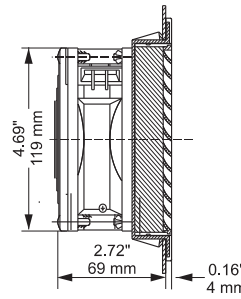
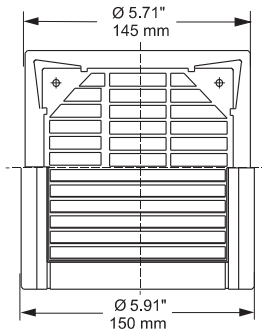
PF Filter Fans

Mechanical Data: PF 1000



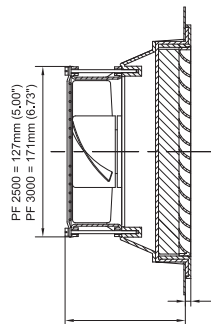
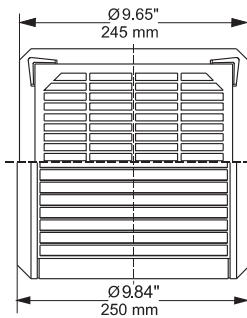
Installation Cutout

PF 2000

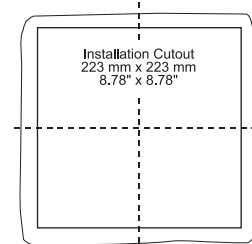


Installation Cutout

PF 2500 & 3000

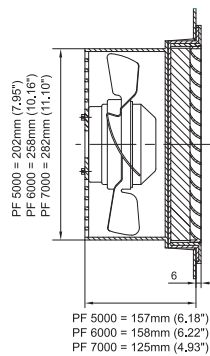
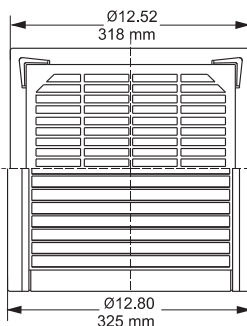


PF 2500 = 111mm (4.37")
PF 3000 = 121mm (4.76")

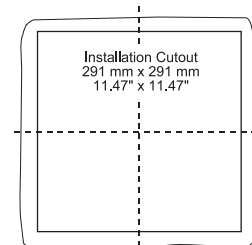


Installation Cutout

PF 5000, 6000 & 7000



PF 5000 = 157mm (6.18")
PF 6000 = 158mm (6.22")
PF 7000 = 125mm (4.93")



Installation Cutout

Note: All cutout tolerances +1/- 0 mm

Climate Control

Technical references and CAD downloads available at www.hammondmfg.com

All dimensions in inches unless specified otherwise

Quality Products. Service Excellence.

Fan Accessories



Exhaust Filters

- Built to IP54 standards (except PFA1000 - IP43 standards).
- ABS-FR grills (except PF1000 Series which is polystyrene FR).
- Grills are black to complement all cabinet colors.
- Grills also available (see below)
- Integral gasket seals against enclosure.

Part No.	Filter		
	Density (g/m ²)	Filtering Level	Comparable IP Standard
PFA1000	150	73%	IP43
PFA2000	150	73%	IP54
PFA3000	150	73%	IP54
PFA5000	150	73%	IP54



Replacement Grill

- Packaged individually.
- Consists of replacement grill only.

Black Part No.	RAL7032 Beige Part No.	Use With Filter Fan	Use With Exhaust Filter
PG1BK	PG1RAL	PF1000	PFA1000
PG2BK	PG2RAL	PF2000	PFA2000
PG3BK	PG3RAL	PF2500/PF3000	PFA3000
PG5BK	PG5RAL	PF5000/PF6000/PF7000	PFA5000



Replacement Filters

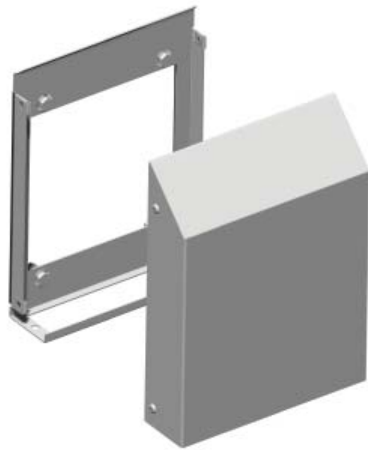
- Packaged in quantities of 5.

Part No.	Dimensions			Use With Filter Fan	Filter Density (g/m ²)
		A	B		
PFF1000	inch	3.40	3.40	PF1000	150
	mm	85	85		
PFF2000	inch	4.50	4.50	PF2000	350
	mm	115	115		
PFF3000	inch	8.30	8.30	PF2500/PF3000	350
	mm	210	210		
PFF5000	inch	11.00	11.00	PF5000/PF6000/PF7000	350
	mm	280	280		

Call Hammond for other Cooling Solutions....

- Intergral Door Air Conditioners
- Air/Water Heat Exchangers
- Custom Air/Air Heat Exchangers
- EMC Filter Fans
- other customer cooling solutions

Filterfan Rainhoods - NEMA 3R



Application

- Type 3R / Outdoor Rainhoods
- Protection against rain and snow or large airborne debris
- Sold individually

Features

- Easy installation
- Covers many external mounted Fans & Grills
- Fits PF2000/PF22000 thru PF5/6/7000 series Filterfans
- Tamperproof hardware and sealing gasket provided

Standards

- UL -50 type 3R file # E65324
- CSA C22.2 #94 file # LR21001

Finish

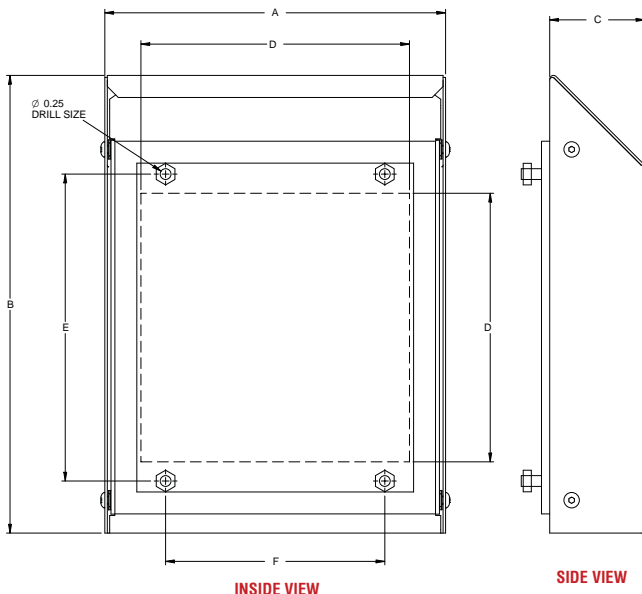
- Cover offered in ANSI61 gray or RAL7035 light gray powder coated finish on mild steel. Type 304 SS on stainless models.
- Base in Galvanized sheet steel

Accessories

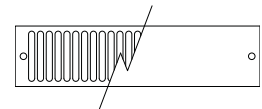
- Grill/Solid Cover Kit (see below)



Part Number	Use with	Finish
RH20000GY	PF2000/PF22000 Series	ANSI 61 Gray
RH20000LG	PF2000/PF22000 Series	RAL7035
RH20000SS	PF2000/PF22000 Series	Stainless Steel
RH40000GY	PF25, 30, 32, 43000 Series	ANSI 61 Gray
RH40000LG	PF25, 30, 32, 43000 Series	RAL7035
RH40000SS	PF25, 30, 32, 43000 Series	Stainless Steel
RH60000GY	PF5,6,7000, 65, 67000 Series	ANSI 61 Gray
RH60000LG	PF5,6,7000, 65, 67000 Series	RAL7035
RH60000SS	PF5,6,7000, 65, 67000 Series	Stainless Steel



Grill/Solid Cover Kit



Features

- Can be installed in bottom opening of rain hood
- Grill allows ventilation while preventing unwanted entry of large contaminants
- Solid cover allows sealing of opening when fan/filter not in use

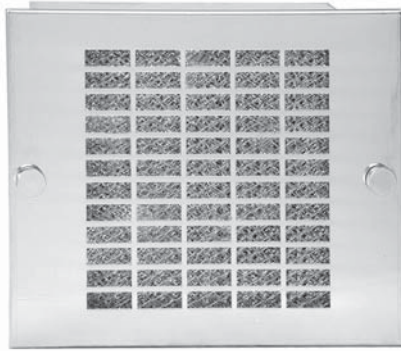
Part Number	Use With	Finish
RHA20000G	RH20000GY,LG,SS	Galvanized Steel
RHA40000G	RH40000GY, LG, SS	Galvanized Steel
RHA60000G	RH60000GY,LG, SS	Galvanized Steel

Series	Overall Dimensions			Cut-out	Bolt Pattern	
	A	B	C		E	F
RH20000	7.77	10.44	2.17	6.12	7.00	5.00
RH40000	11.71	14.57	3.35	10.12	11.00	9.00
RH60000	14.66	15.88	4.33	13.00	13.88	12.00

Climate Control



Filtered Fan Boxes and Filter Grills



Filtered Fan Box



Filter Grill

Description

- In a typical cooling arrangement, the filtered fan box pulls air into the enclosures and the filter grill is used as an air outlet.
- The washable aluminum filter grill and the air filter are easily accessible and can be removed for cleaning.
- The filtered fan boxes are available in either 115 VAC or 230 VAC, 50/60 Hz.
- Filtered passive ventilation can be provided by an exhaust filter for either convection cooling or in combination with a fan in forced air cooling.

Standards

- UL recognized, CSA certified, CE approved fans/motors

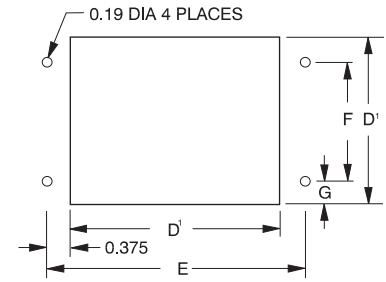
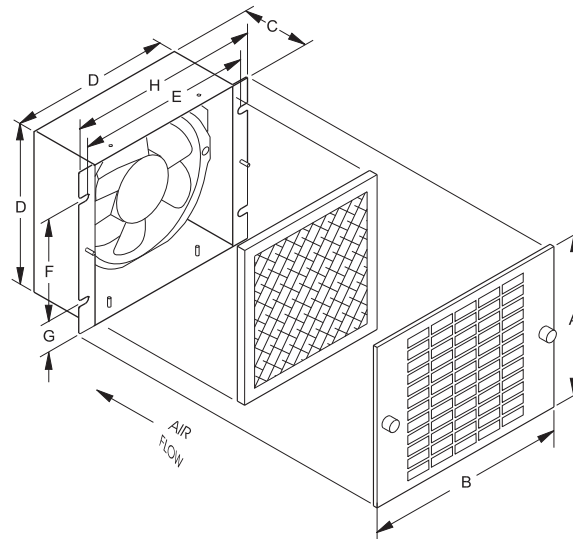
Features

- 115 VAC or 230 VAC, 50/60 Hz.
- 10" lead wires.
- Exceptionally quiet operation.
- Versatile mounting and adaptability.
- Heavy-gauge steel construction.
- Attractive stainless steel grills.
- Shipped with air flow to pressurize. Can be user modified to exhaust.
- Aluminum filter is coated with adhesive baffle surfaces for dust and dirt collection. Can be recoated after cleaning for optimum performance.
- Drilling template included.
- NOTE: One grill and filter are included with each fan package. Normally, an additional exhaust grill and filter are required for each installation and must be ordered separately.

Accessories

- Filter coat...see page **388**
- Replacement Filter...see page **388**

Filtered Fan Boxes and Filter Grills



Cutout Detail

Climate Control

Filtered Fan Boxes

Part No.	Free Flow Air Delivery CFM	Volts	RPM Nominal	Running Amps	Watts	A	B	C	D	D ¹	E	F	G	H	Ship Wt. lbs
XF4115	105	115	3000	0.24	22	6.13	7.38	2.38	5.63	5.75	6.5	4.13	0.81	7.0	5
XF4230	105	230	3000	0.13	21	6.13	7.38	2.38	5.63	5.75	6.5	4.13	0.81	7.0	5
XF6115	220	115	3400	0.54	42	7.63	8.88	3.00	7.13	7.25	8.0	4.50	1.34	8.5	6
XF6230	220	230	3400	0.28	46	7.63	8.88	3.00	7.13	7.25	8.0	4.50	1.34	8.5	6
XF10115	550	115	1650	0.24	33	11.63	13.00	4.56	11.13	11.25	12.0	6.88	2.16	12.5	12
XF10230	550	230	1650	0.14	33	11.63	13.00	4.56	11.13	11.25	12.0	6.88	2.16	12.5	12

Exhaust Grill and Filters

Part No	A	B	D	E ¹	F ¹	H ¹
XFG4	6.13	7.38	5.63	6.38	4.13	7.00
XFG6	7.63	8.88	7.13	7.88	4.50	8.50
XFG10	11.63	13.00	11.13	11.88	6.88	12.50

Replacement Filters

Part No	Pkg. Qty.
XFF4	3
XFF6	3
XFF10	3

¹ Dimension for mounting and cabinet cutout. Secure sheet metal with #8 hardware.



Filter Coat

- Provides a filter adhesive with a grease-like consistency which absorbs and traps dust particles.
- 10 oz. bottle with environmentally friendly trigger spray.

Part No. **1475Q**

Blowers and Fans

General Selection Considerations

General Specifications

All Hammond blowers and filter fans are engineered for performance and built for reliability. This versatile line includes a blower, fan tray and filter fans.

Blowers and fans use forced convection cooling, which means ambient air flows through a filter into the enclosure to cool heated components. Both blowers and fans are sized in CFM (cubic feet per minute).

It is recommended that an exhaust filter be used in combination with the blower or filter fan to act both as an exhaust point for the hot internal air plus aid in the pressurization of the enclosure, reducing the chance of unfiltered air entering the enclosure. Whenever possible, the blower or filter fan should be located in the bottom third of the enclosure and the filtered exhaust grill placed as high as possible on the opposing side. Performance levels can be further increased by adding a second exhaust filter.

Sizing Blowers and Fans

To determine the CFM (cubic feet per minute) required in any standard situation, use the following calculation, (non-standard situations would consist of high air density - significantly more than 0.075 lbs per cubic foot.)

$$CFM = \frac{\text{Power to be dissipated (Watts)} \times 3.17}{\text{Maximum Allowable Internal Temperature (°F)} - \text{Maximum Ambient Temperature (°F)}}$$

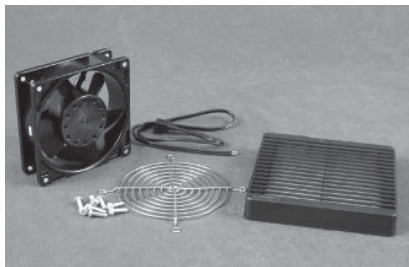
Note - The calculation above is exact, but adding an additional 25% to the CFM level is a standard safety factor.

If the air density is high (significantly more than 0.075 lbs per cubic foot), use the number calculated above in the following formula:

$$\frac{CFM \times (0.075)}{\text{Non-standard Air Density (lbs per cubic foot)}}$$

Note: Ambient Temperature must be lower than maximum internal temperature for fan/blower to be effective.

Filter Fan Kits



- Easy to order kit - one part number (save time & cost)
- Kit includes: Fan, plastic filter grill, filter, metal grill, cord & mounting hardware (as shown).
- Flame retardant, ABS plastic filter fan grill is molded in a choice of four colors to match our racks & accessories. "BK" (Black), "CG" (Gray/Beige - RAL7032), "GY" (ANSI 61 Gray) or "LG" (Light Gray - RAL7035).

115 VAC (50/60 Hz)

Part Number	Fan Size	Fan CFM	Cord	Filter Grill Color
DNFF080BK115	3.15" (80mm)	32	11" leads	Black
DNFF080CG115	3.15" (80mm)	32	11" leads	Gray/Beige
DNFF080GY115	3.15" (80mm)	32	11" leads	ANSI Gray
DNFF080LG115	3.15" (80mm)	32	11" leads	Light Gray
DNFF120BK115	4.7" (120mm)	105	24" cord	Black
DNFF120CG115	4.7" (120mm)	105	24" cord	Gray/Beige
DNFF120GY115	4.7" (120mm)	105	24" cord	ANSI Gray
DNFF120LG115	4.7" (120mm)	105	24" cord	Light Gray

230 VAC (50/60 Hz)

Part Number	Fan Size	Fan CFM	Cord	Filter Grill Color
DNFF080BK230	3.15" (80mm)	32	11" leads	Black
DNFF080CG230	3.15" (80mm)	32	11" leads	Gray/Beige
DNFF080GY230	3.15" (80mm)	32	11" leads	ANSI Gray
DNFF080LG230	3.15" (80mm)	32	11" leads	Light Gray
DNFF120BK230	4.7" (120mm)	105	24" cord	Black
DNFF120CG230	4.7" (120mm)	105	24" cord	Gray/Beige
DNFF120GY230	4.7" (120mm)	105	24" cord	ANSI Gray
DNFF120LG230	4.7" (120mm)	105	24" cord	Light Gray

Technical references and CAD downloads available at www.hammondmfg.com

All dimensions in inches unless specified otherwise

Quality Products. Service Excellence.

Fan Kits



Filter Fan Grills

- Mounts easily with 4 screws using the template provided.
- All mounting hardware included.
- Standard 80mm/3.15" and 120mm/4.70" fans can be attached with hardware provided to make a filter fan.
- Can be used alone as an enclosure exhaust.
- Moulded in flame retardant ABS.
- Synthetic filter supplied.
- Integral gasket on reverse of grill seals against enclosure surface.
- Available in black, RAL7035 light gray, RAL7032 beige and ASA61/RAL7011 gray to match enclosures.

Accessories

- Spare hardware kit, Part No. **1421F4**

Black Part No.	Beige Part No.	Gray Part No.	Light Gray Part No.	H	W	Optional Compatible Fan Part No.	Optional Compatible Fan Size	CFM	Repl. Filter (pkg. 5)
XPFA80BK	XPFA80CG	XPFA80GY	XPFA80LG	4.13	4.13	FAN80AC115	80mm/3.15"	32	PFF1000
XPFA120BK	XPFA120CG	XPFA120GY	XPFA120LG	5.91	5.91	DNMF100AC115	120mm/4.70"	102	PFF2000

AC Fans and Guards



Fan Cords and Daisy Chains (10 amp, 115V)

Part No.	Description	Lead Length (In)	Connector	Fan End Termination
DNMFC	Fan Cord	24"	45°	none
DNFC48P	Fan Cord	48"	45°	2 pin 115V plug
DNFC72P	Fan Cord	72"	45°	none
DNFCDC2P	Daisy Chain	24"	2x45°, 12" apart	2 pin 115V plug
DNFCDC3P	Daisy Chain	24"	3x45°, 12" apart	none

Part No.	Size(mm)	Size (In.)	CFM	AC Voltage	Use Fan Guard	Use Filter Fan Grill
FAN80AC115	80	3.15	32	115	FAN80FG	XPFA80... ¹
FAN80AC230	80	3.15	32	230	FAN80FG	XPFA80... ¹
DNMF100AC115	120	4.70	105	115	DNFG	XPFA120... ¹
DNMF100AC230	120	4.70	105	230	DNFG	XPFA120... ¹
FAN150AC115	150	6.00	220	115	FAN150FG	n/a
FAN150AC230	150	6.00	220	230	FAN150FG	n/a
FAN10A115	255	10.00	550	115	FAN10FG	n/a
FAN10A220	255	10.00	550	230	FAN10FG	n/a

¹"..." specify color - BK (black), CG (RAL 7032), LG (RAL 7035) or GY (ASA61 gray)

UL recognized, CSA listed, CE certified

Fan Tray

300, 600 and 900 CFM



Description

- Rack mount fan trays provide a compact, economical solution for cooling in electronic cabinets.
- Fan trays can be positioned at the bottom of an enclosure to force air through the cabinet, at the top to exhaust air out of the cabinet or below specific pieces of equipment for spot cooling.

Standards

- cURus recognized.

Features

- 300, 600 and 900 CFM sizes.
- 115VAC, 50/60Hz.
- 19" panel width mounting.
- Low profile 1.75" (1U) height.
- 600 and 900 CFM units include removable rear support brackets.
- Circuit breaker protected.
- 6 foot 14/3 SJTW cord with molded 3 prong plug.
- Thermally protected, ball bearing fans.
- Integral finger guards above and below fans.
- Shipped fully assembled.
- Available with or without ON/OFF switch.

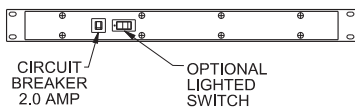
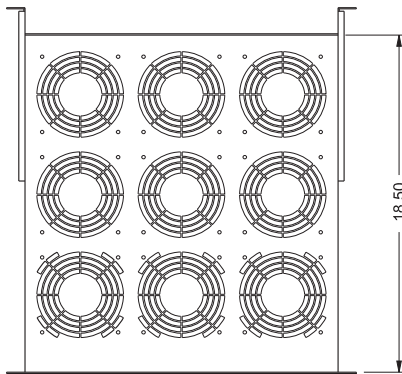
Finish

- Stocked in textured, black body finish.
- Textured black face panel.

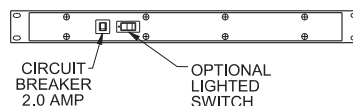
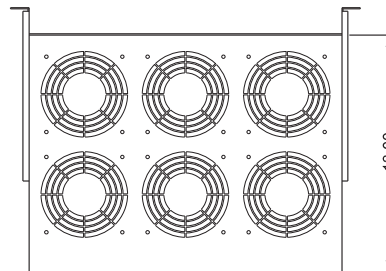
Options

- Contact Hammond for information on:
 - 24" panel width mounting.
 - 230 V version (with IEC 320-C14 INLET).
 - 15 foot cord
 - Optional colors

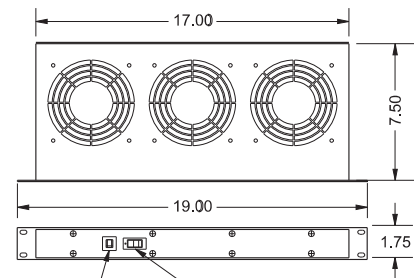
Climate Control



FT900HA1BK



FT600HA1BK

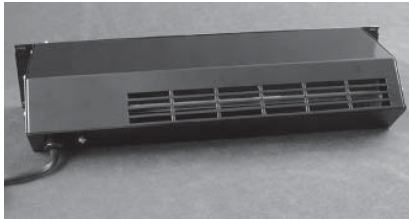
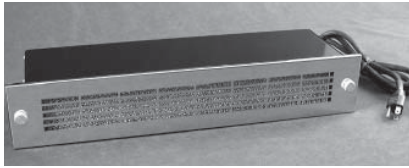


FT300HA1BK

Note: All cad drawings are shown with optional lighted switch. All units are also available without switch - see chart below.

Without Switch Part No.	With Lighted Switch Part No.	CFM	Running Amps	Watts	Panel Width	Case Width	Case Depth	Rear Bracket Depth	
								Min.	Max.
FT300TA1BK	FT300HA1BK	300	0.55	45	19	17.00	7.50	n/a	n/a
FT600TA1BK	FT600HA1BK	600	1.10	90	19	17.00	13.00	2.40	19.20
FT900TA1BK	FT900HA1BK	900	1.70	140	19	17.00	18.50	7.90	24.70

Blowers and Fan Panels



Packaged Blowers - Intake

- Standard 19" rack mount
- Each unit contains a dual centrifugal blower, powered by a single precision ball-bearing motor (except HB2160A which is traverse flow).
- Air delivery from more than 50% of their 17" width
- Internal neoprene isolation mounts reduce transmission of vibration to the rack
- Air intake only, to pressurize the rack with filtered air
- Heavy steel construction
- Attractive 19" stainless steel grille included

- 115 VAC, 50/60Hz motor is UL recognized, CSA certified, ball bearing type, cooled by incoming air
- Includes permanent filter (replacement filters available below)
- Comes with 6' STJW 3- wire cord
- Control your rack temperature with our economical, compact thermostat

Accessories

- Filter coat...see page **388**

Part No.	Voltage	Frequency	Free Flow Air Delivery (CFM)	RPM Nominal	Panel Height	Mounting Width	Body Width	Overall Depth	Air Delivery Width	Replacement Filter	Ship Wt. lbs
HB2160A	115 Vac	50 / 60 Hz	145 / 125	2500 / 3000	2U - 3.50	19.00	17.10	6.75	11.75	HB2UFILTER	10
HB3250A	115 Vac	50 / 60 Hz	155 / 200	2750 / 3000	3U - 5.25	19.00	17.25	7.75	4.60 (2x)	HB3UFILTER	15
HB4500A	115 Vac	50 / 60 Hz	405 / 465	2750 / 3300	4U - 7.00	19.00	17.25	10.00	4.60 (2x)	HB4UFILTER	21



Fan Panel Assembly

- 3U 19" Rack Mount Fan Panel
- Target hot-spots
- 4.7" Fans with grill
- Includes 24" power cable
- Black powder coated

Part Number	Description
PPGPFPA	Two (2) Fans - (Total 210 CFM, 60 dBA)
FP3F115	Three (3) Fans - (Total 315 CFM, 60 dBA)

Heating Products

General Information and Sizing

General Information

Heating products protect electronic and electrical components from temperature problems that are below acceptable tolerances. There are obvious circumstances when extremely low ambient (outside cabinet) temperatures would require a heater, but there are also less apparent times that a heater should be considered. For example, a system may run all day having its components generate heat, but once the system shuts down for the night, the quick drop in temperature could cause condensation and possibly corrosion - a heater could maintain a safe, constant temperature.

Combined Cooling and Heating

Some components today are sensitive enough that both cooling and heating could be required in the same enclosure. When designing your system, be aware of the need to maintain a relatively constant temperature inside the enclosure as ambient temperatures swing from cool to very hot. Hammond thermostats (one for heaters and one for cooling products) can control both systems automatically.

Heater Sizing Information

- P_H = Total power required for this application (W)
 P_V = Existing power from components (W)
 DT = Temperature differential (Kelvin) ambient to cabinet interior (1°Kelvin = 1°C = 1.8°F)
 A = Free-standing cabinet surface area (ft²)
 k = Heat transmission coefficient (W/ft² K) convection in quiet air:
 Painted steel approx. 0.51 W/ft² K
 Aluminum approx. 1.115 W/ft² K
 Plastic approx. 0.325 W/ft²
 Stainless Steel approx. .344 W/ft²

Formula

$$P_H = (DT \times k \times A) - P_V$$

If enclosure located **outside**, use **x2** (DT x k x A)

Sample with solution:

$DT = 10K$
 $k = \text{Painted steel} = 0.51 \text{ W/ft}^2$
 $A = 50 \text{ ft}^2$
 $P_V = 45 \text{ W}$
 $P_H = (10 \times 0.51 \times 45) - 50$
 $= 229.5 - 50$
 $= 179.5 \text{ W}$

Recommend: FLHTF200A115

Climate Control



Fan Heater with Thermostat

- Designed to prevent condensation or maintain minimum temperature in enclosures.
- Built in Thermostat. (-18 C to +38 C) (0 F to +100 F)
- Fan Auto/On switch with pilot light for Heat On indication
- 20 CFM airflow
- High temperature safety protection
- Aluminum alloy outer casing
- Connection via terminal block.



Part No.	Watts	Voltage	Hz	Overall Dimensions Height x Width x Depth	Ship Wt. lbs
FLHTF125A115	125 W	120 V	60	5.5" x 4.0" x 5.3"	2.2
FLHTF125A230	105/125 W	220/240 V	50/60	5.5" x 4.0" x 5.3"	2.2
FLHTF200A115	200 W	120 V	60	5.5" x 4.0" x 5.3"	2.2
FLHTF200A230	165/200 W	220/240 V	50/60	5.5" x 4.0" x 5.3"	2.2
FLHTF400A115	400 W	120 V	60	7.5" x 4.0" x 5.3"	3.0
FLHTF400A230	335/400 W	220/240 V	50/60	7.5" x 4.0" x 5.3"	3.0
FLHTF800A115	800 W	120 V	50	7.5" x 4.0" x 5.3"	3.0
FLHTF800A230	670/800 W	220/240 V	50/60	7.5" x 4.0" x 5.3"	3.0

Heating Products



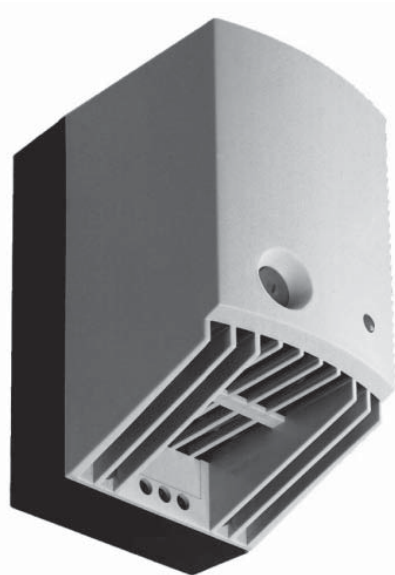
Fan Heaters

- For use when larger heating capacities or internal forced air circulation is required.
- Designed to prevent condensation or maintain minimum temperature in enclosures.
- Thermostats are also available.



Part No.	Watts	Surface Temperature	Starting Current	Dimensions L x W x D	Ship Wt. lbs
SHGL04600	250 W	167°F	2.2 A	7.00 x 3.15 x 3.15	2
SHGL04601	400 W	167°F	3.5 A	9.76 x 3.15 x 3.15	3

Operating Voltage:	AC 110-120 V, 50/60 Hz
Circulation Power:	20 CFM Free Blowing
Axial Fan:	Ball bearing
Durability:	30,000 hrs. at 68°F ambient temperature
Heating Element:	Resistance heating element with temperature limiter
Heating Body:	Extruded aluminum, black anodized
Connection:	3 pole terminal for 12 AWG
Mounting:	Easily installed by clip mounting on 35 mm DIN rails (included)
Protection Class:	1 (tested for grounding at 1250 V)
Protection:	IP20
Approval:	UL Recognized Component, cUL Recognized Component, CE



High Wattage Fan Heater

- For large heating capacity requirements.
- Maintains minimum operating temperatures in enclosures.
- Helps prevent failures to components caused by condensation and corrosion.
- Built-in thermostat and control light.
- Heating power adjusts to ambient temperature.
- Heat exits top of fan heater. (add 2" clearance for heat sensitive parts)

Part No.	Watts	Inrush		Temperature Maximum with Fan	Ship Wt. lbs
		Current (Amps)	Volts		
SCR027009	550 W	11 A	AC 120	250°F/120°C	2
SCR027009230	550 W	13 A	AC 230	250°F/120°C	2
SCR027019	650 W	12 A	AC 120	320°F/160°C	2.4

Air Flow:	20 CFM (550W), 26 CFM (650W)
Thermostat Range:	32 - 140 degrees Fahrenheit
Heating Element:	PTC - Semiconductor/resistor
Housing:	Plastic, rated UL94-VO
Connection:	3 pole terminal, AWG 14 max (2.5 mm ²)
Mounting:	Clip for 35mm DIN rail
Protection Class:	II (Double Insulated)
Protection Type:	IP20
Approval:	UL Recognized Component, cUL Recognized Component, CE



Heating Products

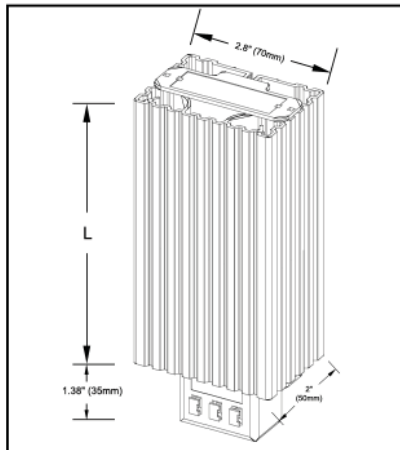


Heaters

- Designed to provide enclosed electronic, pneumatic, hydraulic and mechanical equipment with protection from low temperatures, condensation and corrosion.
- The PTC (Positive Temperature Coefficient) heater unit maintains a stable temperature environment within enclosures, allowing critical components to perform with consistent reliability for longer periods.
- Heating power adjusts to ambient temperature
- Push connectors for quick and easy wiring

Part No.	Watts ¹	Max. Current ²	L (in.)	Max Surface Temperature	Ship Wt lbs
SHG14000	15 W	1.5 A	2.56	131°F/55°C	1
SHG14001	30 W	3.0 A	2.56	131°F/55°C	1
SHG14003	45 W	3.5 A	2.56	121°F/105°C	1
SHG14005	60 W	2.5 A	5.51	121°F/105°C	1
SHG14006	75 W	4.0 A	5.51	148°F/120°C	1
SHG14007	100 W	4.5 A	5.51	266°F/130°C	2
SHG14008	150 W	8.0 A	8.46	302°F/150°C	2

¹ At 68°F (20°C) ambient temperature. ² Inrush current



Operating Voltage:	AC 110 - 250 V
Heating Element:	PTC resistor, self regulating
Heating Body:	Anodized extruded aluminum
Connection:	Push-type terminals for stranded and solid wire 3 x AWG 20 AWG 16 (0.5 - 1.5 mm ²)
Mounting:	Easily installed by clip mounting on 35 mm DIN rails (included)
Protection Class:	I, test voltage 1600 V
Protection:	IP20
Approval:	UL Recognized Component, cUL Recognized Component, CE

Climate Control

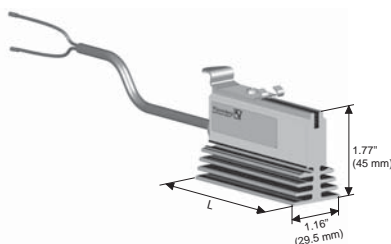


Mini Radiant Heaters

- Designed for use in small enclosure housing or for heating of isolated spots in sensitive areas
- Heating power adjusts to ambient temperature
- Compact design



Part No.	Watts	Max. Current	L (in.)	Ship Wt lbs
SHGM1410	10	1	1.97	0.5
SHGM1420	20	1.1	2.95	0.5
SHGM1430	30	1.2	2.95	0.5



Operating Voltage:	110-250 AC 50/60 Hz
Heating Element:	Resistor, self regulating
Heating Body:	Aluminum, black anodised
Max surface temperature:	10w @ 203°F/95°C 20w @ 239°F/115°C 30w @ 284°F/140°C
Connection:	Connecting cable 11.8"
Mounting:	Din rail 35mm profile
Protection class:	IP20
Approval:	UL Recognized Component, cUL Recognized Component, CE

Technical references and CAD downloads available at www.hammondmfg.com

All dimensions in inches unless specified otherwise

Heating Products



Control Panel Heater

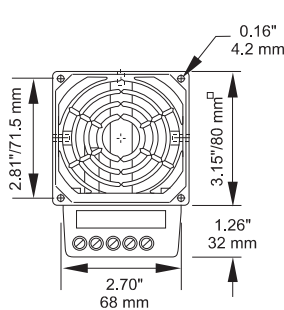
- When larger heating capacities or internal forced air circulation is required and space is limited.
- Compact design to prevent condensation or maintain minimum temperature in enclosures.
- Fan is included.
- Thermostats available

Part No.	Watts	Operating Current (Amps)	Volts	Temperature Maximum with Fan	Ship Wt. lbs
SHV031029	100 W	0.89	AC 120	250°F/120°C	1
SHV031039	150 W	1.30	AC 120	320°F/160°C	1
SHV031139	200 W	1.79	AC 120	250°F/120°C	2
SHV031149	300 W	2.62	AC 120	320°F/160°C	2
SHV031159	400 W	3.45	AC 120	360°F/180°C	2

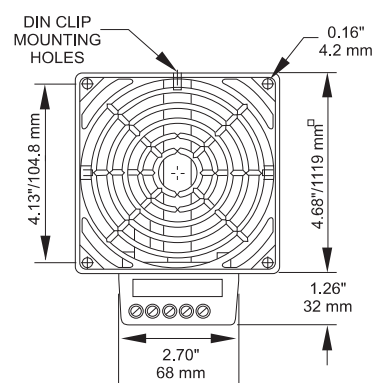
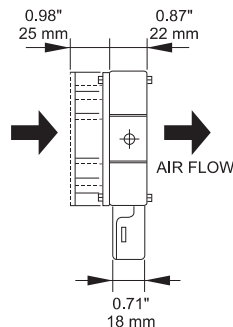


Operating Voltage:	AC 110 -120 V 50/60 Hz
Air Flow:	20 CFM (100W, 150W heaters), 63 CFM (200W, 300W, 400W heaters)
Axial Fan:	Ball bearing
Durability:	50,000 hrs. at 77°F ambient temperature
Heating Element:	Cartridge heater
Heating Body:	Die cast aluminum
Connection:	5 pole terminal for 14 AWG (maximum)
G/L1/N1:	Heater
L2/N2:	Fan
Mounting:	Easily installed by clip mounting on 35 mm DIN rails (included)
Protection class:	1 (tested for grounding at 1500 V)
Protection:	IP20
Approval:	UL Recognized Component, cUL Recognized Component, CE

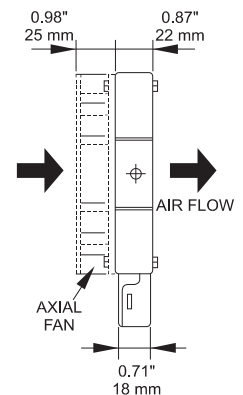
Climate Control



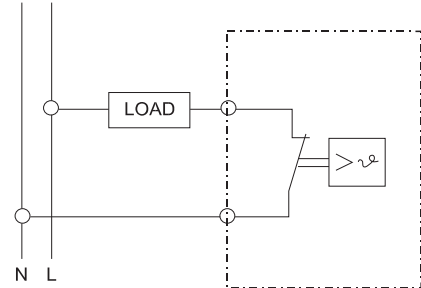
100 W, 150 W Heaters



200 W, 300 W, 400 W Heaters



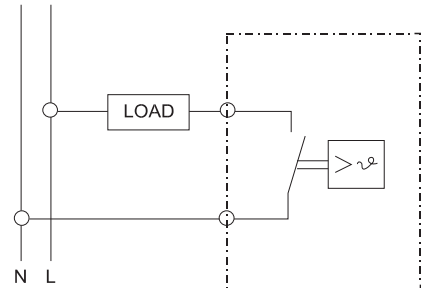
Accessory Products



NC - Normally Closed (Red)

Used in conjunction with heaters.

Contact opens when rising temperatures reach the set point temperature shutting heater off.



NO - Normally Open (Blue)

Used in conjunction with fans.

Contact closes when rising temperatures reach the set point temperature turning fan on.

Thermostat

- Designed to provide air temperature control and monitoring in cabinets.
- Thermostat NC (Normally Closed) for the control of heaters and heater fans.
- Thermostat NO (Normally Open) for the control of cooling units, or for switching signal transmitters in case of overheating.
- Available in Fahrenheit or Celsius.

Sensor Element:	Thermostatic bi-metal
Switching difference (hysteresis):	±4°F (±3°K)
Adjustment Range:	30-140°F / 0-60°C
Connection:	2 pole terminal for AWG 14 (2.5mm ²)
Mounting:	Easily installed by clip mounting on 35 mm or 38 mm DIN rails (included)
Housing:	Flame retardant plastic UL94VO
Color:	Gray (SB)
Protection:	IP20
Approval:	UL Recognized Component , cUL Recognized Component, CE, CSA Listed

Climate Control

Part No.	Scale	Contact Type	Dimensions Height x Width x Depth	Switching Capacity	Ship Wt. lbs
SKT011409NC	°F	Normally Closed	2.83 x 1.57 x 1.4	15 A (1) AC 120 V, 10 A (1) AC 250 V	1
SKT011409NC-C	°C	Normally Closed	2.83 x 1.57 x 1.4	15 A (1) AC 120 V, 10 A (1) AC 250 V	1
SKT011419NO	°F	Normally Open	2.83 x 1.57 x 1.4	15 A (1) AC 120 V, 10 A (1) AC 250 V	1
SKT011419NO-C	°C	Normally Open	2.83 x 1.57 x 1.4	15 A (1) AC 120 V, 10 A (1) AC 250 V	1

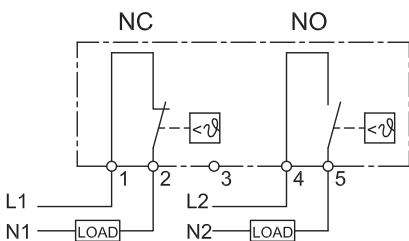


Twin Thermostats

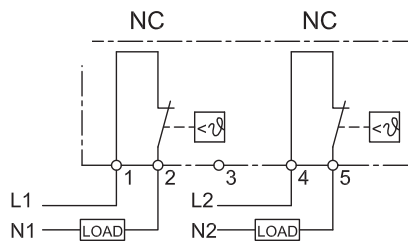
- Designed to provide air temperature control and monitoring in cabinets
- Twin thermostats integrates two independently switchable thermostats, unlike thermostats with changeover contacts, connected devices can be switched in different temperature ranges.
- Available with N.C./N.O., N.C./N.C., N.O./N.O.

	SKTD541	SKTD542	SKTD543
Scale: (Fahrenheit)	SKTD541	SKTD542	SKTD543
Scale: (Celsius)	SKTD541C	SKTD542C	SKTD543C
Type of contact:	N.C. / N.O. with spring contact	N.C. / N.C. with spring contact	N.O. / N.O. with spring contact
Suitable for the operation of	Fan and Heater	Heaters and Alarms	Fans and Alarms
Switching tolerance:	+ - 4K		
Switching Capacity:	N.C. 240 VAC / 10A	N.O. 120 VAC / 15 A	DC max 30watts
Adjustment Range:	32-140° F / 0-60° C		
Connection:	Screw terminal for AWG 14 / (2.5mm ²)		
Mounting:	Clip mounting on 35 mm DIN rails		
Dimension	Height 3.17" (80.5mm)	Width 2.32" (59mm)	Depth 1.5" (38mm)
Housing:	Flame retardant plastic UL94VO		
Color:	Light Gray RAL7035		
Protection:	IP20		
Approval:	UL Recognized Component, cUL Recognized Component, CE		

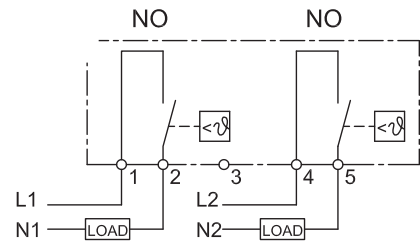
SKTD541



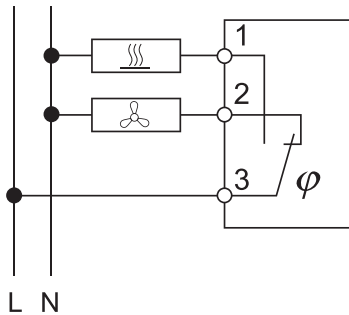
SKTD542



SKTD543



Accessory Products



Mechanical Humidistat

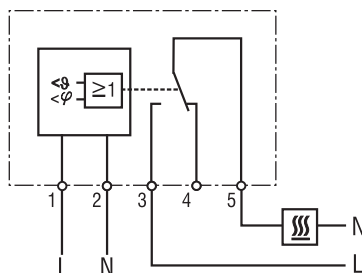


- Mechanical Humidistat regulates the control of heaters or fans whenever the preset level of relative humidity.

Part No.	Dimensions		Switching Capacity	
	Height x Width x Depth			
SKH600NCC	3.5 x 1.5 x 1.8		NOC FAN	AC 120 V - 2A
			NOC FAN	AC 240 V - 2A
			NCC Heater	AC 120 V - 5A
			NCC Heater	AC 240 V - 5A
			DC 30 Watts	

Control Range:	40 to 90% r.H.
Differential Gap:	Approximately 5%
Switch Point Accuracy:	+/- 4% based on 50% r.H.
Working Temperature Range:	30°F to 140°F (0°C to 60°C)
Storage Temperature:	-5°F to 180°F (-20°C to 80°C)
Type of Contact:	Change-over switch
Sensor:	Polyamide band
Type of Connection:	2-pole clamp, For AWG14 (2.5mm ²)
Color:	RAL 7035 - Grey
Protection Category:	IP20
Mounting:	Easily installed by clip mounting on 35mm DIN rail (7 included)
Approval:	CE

Climate Control



Electronic Humidity and Temperature Control

- Designed to provide both air temperature and humidity control as well as monitoring in electrical and electronic enclosures.
- Independently senses the relative humidity and temperature. Resistive and inductive loads (heaters or filter fans) can be switched.
- Highly effective in ATMs, parking control gates, ticket dispensers and traffic control systems where equipment is exposed to wide ranging outdoor elements.

Part No.	Dimensions		Switching Capacity	
	Height x Width x Depth			
SKTH012009230	3.03 x 2.36 x 1.69		NC: AC 240 V - 6A resistive, 1A inductive	
			NO: AC 240 V - 8A resistive, 1.6A inductive	
SKTH012009	3.03 x 2.36 x 1.69		NC: AC 120 V - 6A resistive, 1A inductive	
			NO: AC 120 V - 8A resistive, 1.6A inductive	
			DC 24 V - 4A resistive	

Temperature Range:	32°F to 140°F (0°C to 60°C)
Switching difference (hysteresis):	Approximately 2°K
Humidity range:	50% to 90% relative humidity
Response time humidity:	Approximately 5 seconds
Function Indication:	LED
Life expectancy:	50,000 cycles
Mounting :	Easily installed by clip mounting on 35mm DIN rail
Housing :	Flame retardant plastic UL94VO
Color:	Gray
Protection:	IP20
Approval:	UL Recognized Component, cUL Recognized Component, CE

Technical references and CAD downloads available at www.hammondmfg.com

All dimensions in inches unless specified otherwise

Accessory Products



Breather Kit (Pressure Compensation Plug)



- Packaged individually.
- Provides for controlled pressure compensation due to temperature variations (i.e. night/day operation).
- Recommend two plugs per cabinet in opposite locations.
- Minimum cutout diameter 1.46"

Part No.	Dimensions (Diameter x Depth)	Ship Wt. lbs
SDA412	2.6" x 1.2"	1

Mounting:	PG 29 (1.14") thread with union nut, minimum cutout diameter
Material:	Polycarbonate UL94VO
Protection:	IP45
Color:	RAL 7032 beige



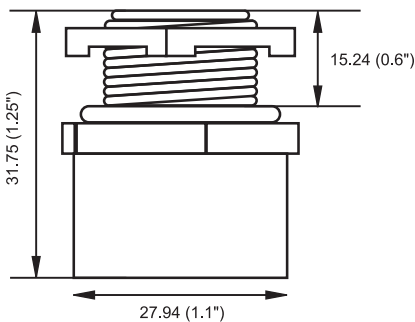
Breather Kit (Pressure Compensation Plug)



- Packaged individually.
- Provides for controlled pressure compensation due to temperature variations (i.e. night/day operation).
- Recommend two plugs per cabinet in opposite locations.
- Pipe Thread M20 1.5 pitch (actual dia. 0.76")

Part No.	BDN4XN1
-----------------	----------------

CSA/A Ex Approvals:	Class I, Zone 1, Ex e II Class I Division 2 Groups ABCD Class II EFG, Class III
Ingress Protection:	IP66, CSA Enclosure Type NEMA 4X
Impact Resistance:	20Nm (7Nm GF Nylon)
Materials:	Durethan BKV 30 N1 30% Glass Filled Nylon O Ring - Nitrile Fixing nut - Brass
Operating Temp:	-50C to +85C



Climate Control

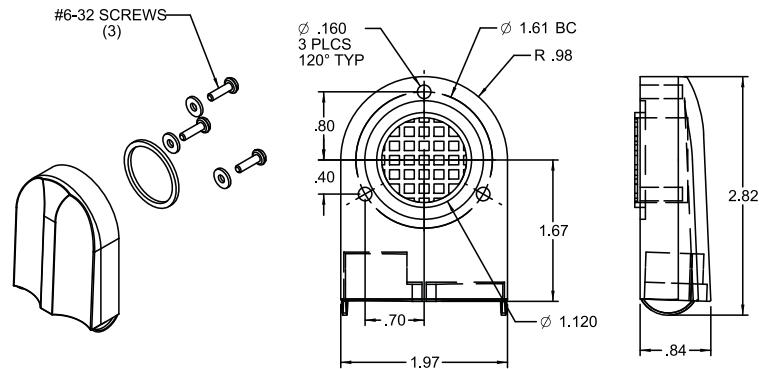
Accessory Products

Large Rainproof Ventilator



- Designed to equalize internal / external pressure and temperature
- Ventilators assist in condensation prevention by allowing enclosures to breathe
- Suitable for most types of metallic and non-metallic enclosures
- Molded in corrosion resistant thermal set plastic, finish RAL7035 Light Gray
- Gasket protection to enclosure wall
- Mount to enclosure wall thickness up to .14" with standard screws
- Internal vent channel & grille reduces insect intrusion
- Package quantity 2

Part No. **SDV280**



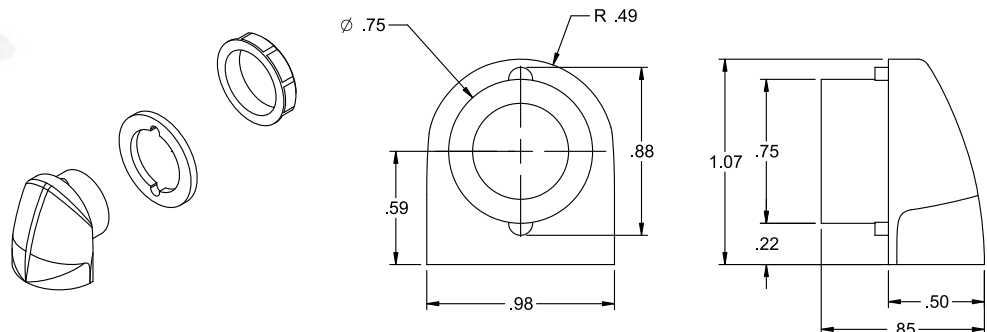
Climate Control

Small Rainproof Ventilator



- Designed to equalize internal / external pressure and temperature
- Ventilators assist in condensation prevention by allowing enclosures to breathe
- Suitable for most types of metallic and non-metallic enclosures
- Molded in corrosion resistant thermal set plastic, finish RAL7035 Light Gray
- Gasket protection to enclosure wall with built in compression stop
- Mount to enclosure wall thickness up to .14" with standard screws
- Internal vent channel & grille reduces insect intrusion
- Package quantity 2

Part No. **SDV180**



Accessory Products



Louvered Vent Kits

- Provides ventilation in enclosures for either Indoor or outdoor locations
- Gasketed sealing kit provides protection to nema 3R
- Aluminum filter mesh provides ingress protection for both solid debris and outdoor rain conditions
- Easily field install kit includes all hardware.
- Louver plates are offered in both 14 gauge steel with ANSI61 Gray power coat finish or 304 Stainless Steel
- Sold in QTY 1



Part Number	Overall Size H x W (in)	Number of Louvers	Louver Length (in)
1481L3R55GY	5.56 x 5.3	3	3
1481L3R55SS	5.56 x 5.3	3	3
1481L3R56GY	5.30 x 6.30	3	4
1481L3R56SS	5.30 x 6.30	3	4
1481L3R66GY	6.40 x 6.30	4	4
1481L3R66SS	6.40 x 6.30	4	4
1481L3R68GY	6.40 x 8.30	4	6
1481L3R88GY	6.40 x 8.30	6	6
1481L3R610GY	6.62 x 10.30	4	8
1481L3R810GY	9.0 x 10.30	6	8
1481L3R1110GY	11.37 x 10.30	8	8
1481L3R1510GY	16.12 x 10.30	9	8

Replacement Aluminum Filters

- Sold in Qty 2

Part Number	Size H x W (in)
LFK55	3.15 x 3.00
LFK56	2.90 x 4.00
LFK66	4.02 x 4.00
LFK68	4.02 x 6.00
LFK88	6.28 x 6.00
LFK610	4.21 x 8.00
LFK810	6.59 x 8.00
LFK1110	8.96 x 8.00
LFK1510	13.71 x 8.00

Climate Control



Louvered Ventilating Plate

- Provides ventilation in enclosures where required.
- Easily installed in the field by cutting a square hole of the proper size and bolting the ventilator in place.
- Finished in gray.
- Hole diameter is 0.22".












Part No.	Plate Size		No. of Louvers	No. of Rows	Louvers Length	Opening Area (in ²)
	Height	Width				
1481L44	5.62	5.5	4	1	4	4.5
1481L66	7.87	7.5	14	2	2	5.3
1481L88	10.56	10.5	18	2	4	20.2

Data Communication Infrastructure

Data Communication Infrastructure

Data Communication Infrastructure

	Three-Piece Swing-Out Rack Cabinet - HWM Series 405
	Eclipse Dual Access Series - NEMA 4, 12 407
	Modular Rack Cabinet System - C2 Series..... 409
	Modular Data Center Cabinet System - C4 Series..... 411
	Data Center Cabinet Assembly - DC100 Series 413
	Modular Co-Location Cabinet System - CL Series..... 415
	Stacking Knockdown Server Cabinet - RCSC Series 417
	2-Post Steel (Welded & Knockdown) Relay Rack DNRR Series 419
	4-Post Steel Open Rack DC4R Series..... 420
	2 & 4 - Post Relay Rack Accessories 421
	Formed & Knockdown Wall Racks - FWB, HPB & VPB Series..... 423
	Universal Rack Accessories 425

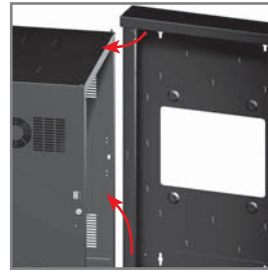
Data Communication Infrastructure

Three-Piece Swing-Out Rack Cabinet

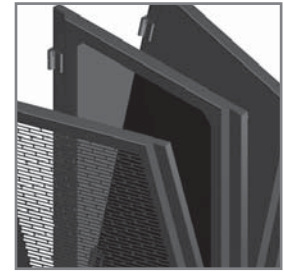
HWM Series

Data Communication Infrastructure


Vented front door included



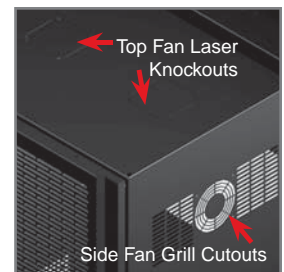
Center section easily removes for installation.



Tinted acrylic and solid doors also available.



Mounting points for easy mounting of outlet strip.



Generous fan knockouts/cutouts for cooling.

Application

- The Hammond Wall Mount (HWM) cabinet was designed with the technical professional in mind. Easy to install design. The vented front door and side panels were specifically designed for high capacity servers, switches and power management devices.

Features

- Available in three (3) depths and four (4) heights.
- Includes vented 65% perforated front door (optional door types available).
- Front door and center section keyed the same.
- EIA compliant adjustable depth mounting rails.
- Includes one (1) pair of tapped (10-32) mounting rails.
- Recommended weight load tested for 275 lbs.
- Center section features:
 - Heavy duty spring-hinge pin for easy installation and removal.
- Side panel that includes two (2) vents and fan grill.

- Rear section features:
 - Top and side conduit knock-outs for cable entry.
 - Generous cable management lances located on the rear section as well as on mounting rails.
 - Mounting points for Outlet Strip (uses HWMPCLIP).
 - Heavy duty keyhole for wall mounting.
 - Large opening in rear for cable access.

Construction

- 14-gauge welded rear section; 16-gauge center section and doors.
- Grounding lugs located on top and bottom of the door, center and rear sections.
- Rugged sand-textured black powder paint (reduced fingerprints and marks).

Accessories

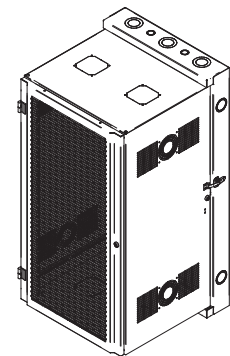
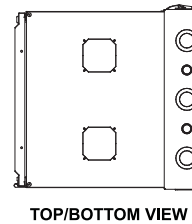
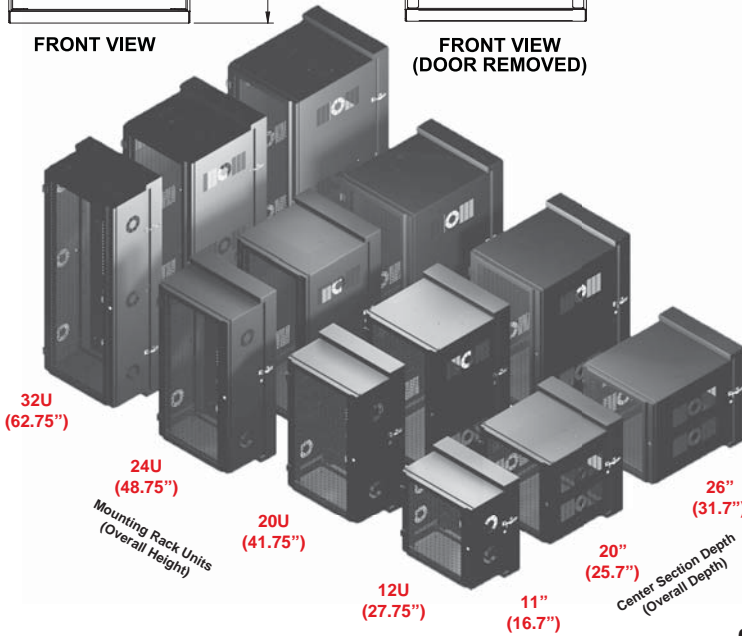
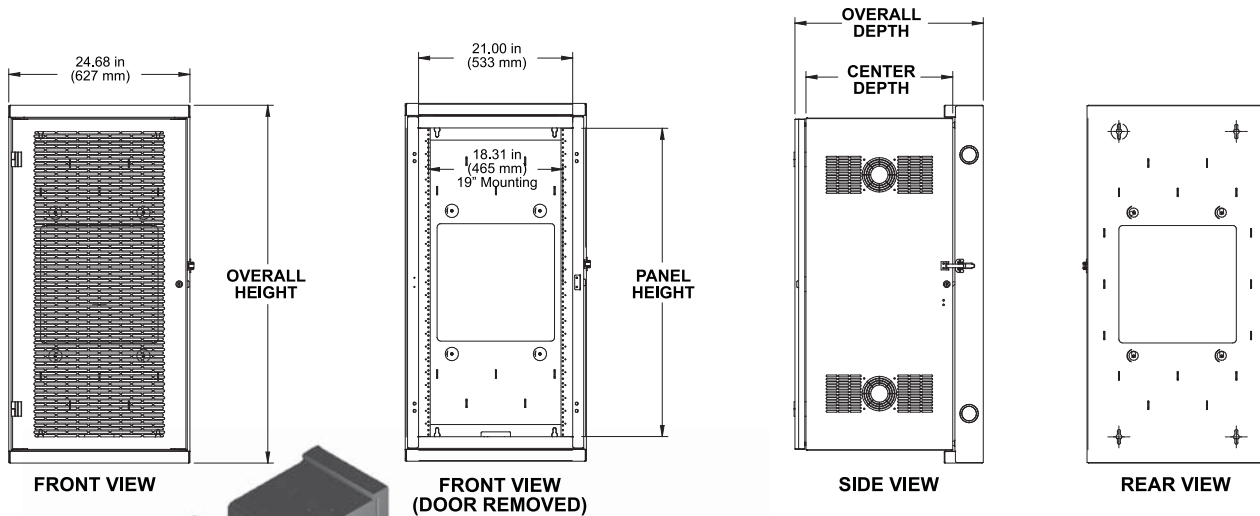
- Additional pair of rails with either 10-32 taps or square holes.
- Tinted acrylic and solid doors.
- Clip for mounting outlet strip (Use with 1585 Series of power strips).
- Lock (front door only) keyed differently for increased security.
- Power Bars...see page **444**
- Hardware...see page **432**
- Shelves...see page **425**
- Panels...see page **426**
- Cable Managers...see page **426**

Technical references and CAD downloads available at www.hammondmfg.com

All dimensions in inches unless specified otherwise

Three-Piece Swing-Out Rack Cabinet

HWM Series



Data Communication Infrastructure

Optional Accessories:

Part #	Center Depth (Inches)	Panel Height Inches	Units	Overall Dim. (Inches)	
				Height	Depth
HWM2412U11BK	11	21	12	27.75	16.7
HWM2420U11BK	11	35	20	41.75	16.7
HWM2424U11BK	11	42	24	48.75	16.7
HWM2432U11BK	11	56	32	62.75	16.7
HWM2412U20BK	20	21	12	27.75	25.7
HWM2420U20BK	20	35	20	41.75	25.7
HWM2424U20BK	20	42	24	48.75	25.7
HWM2432U20BK	20	56	32	62.75	25.7
HWM2412U26BK	26	21	12	27.75	31.7
HWM2420U26BK	26	35	20	41.75	31.7
HWM2424U26BK	26	42	24	48.75	31.7
HWM2432U26BK	26	56	32	62.75	31.7

Part #	Description
HWMSD2412UBK	12U Solid Door
HWMSD2420UBK	20U Solid Door
HWMSD2424UBK	24U Solid Door
HWMSD2432UBK	32U Solid Door
HWMPD2412UBK	12U Tinted Acrylic Door
HWMPD2420UBK	20U Tinted Acrylic Door
HWMPD2424UBK	24U Tinted Acrylic Door
HWMPD2432UBK	32U Tinted Acrylic Door
HWMTR12U	12U Tapped 10-32 Rail (Pair)
HWMTR20U	20U Tapped 10-32 Rail (Pair)
HWMTR24U	24U Tapped 10-32 Rail (Pair)
HWMTR32U	32U Tapped 10-32 Rail (Pair)
HWMSR12U	12U Square Hole Rail (Pair)
HWMSR20U	20U Square Hole Rail (Pair)
HWMSR24U	24U Square Hole Rail (Pair)
HWMSR32U	32U Square Hole Rail (Pair)
HWMPCLIP	Power Bar Clip
HWMSLOCK	Front door lock (Keyed differently)
GRDKIT02	Ground Kit
DNFK1AC120	Single (1) Fan kit with grills & cord
DNFK2AC120	Dual (2) Fan kit with grills & cord

Technical references and CAD downloads available at www.hammondmfg.com

All dimensions in inches unless specified otherwise

Quality Products. Service Excellence.

Eclipse Dual Access Series - NEMA 4, 12

Data Communication Infrastructure



Solid Door



Window Door

**Panel
Sold
Separately**



Application

- Designed for network access equipment using 19" mounting rails.
- Dual access both front and rear of the equipment allows easy install and connection between equipment and to main cable route.
- Provides outstanding protection against dust, oil and water with solid and plexi door version in NEMA type 4.

Standards

- **Solid Door**
 - UL 508 Type 1, 3, 3R, 4, 12
 - CSA Type 1, 3, 3R, 4, 12
- **Plexi Viewing**
 - UL 508 1, 3, 3R, 4, 12
 - CSA Type 1, 3, 3R, 4, 12
- **Complies with**
 - NEMA type 3R,4 and 12
 - IEC 60529 , IP54, IP66

Features

- Dual access via double hinge design opens 120 degrees for access to front and rear of equipment
- Heavy wall mounting base for cable entry with collar stud provision for optional inner panel.
- Wall base can be mounted with optional external mounting feet
- Interior latch releases center section for added security, no tools required
- Solid and Window door are provided with 2 or 4 point combination key & padlock handle
- Large window door view area
- 1 Pair of adjustable drilled and tapped L rails with cable pass through included,
- Bonding studs provided on door, body and wall base

Construction

- Wall base, body and doors made form 14 guage steel
- Smooth continuous welded seams without knockouts, cutouts or holes
- Seamless poured-in place gasket for added protection in both indoor and outdoor locations
- Window door constructed with UV resistant polycarbonate material
- Plated L rails drilled and tapped 10/32 to EIA 19" standards
- Mounting hardware pack 25 for 19" rails

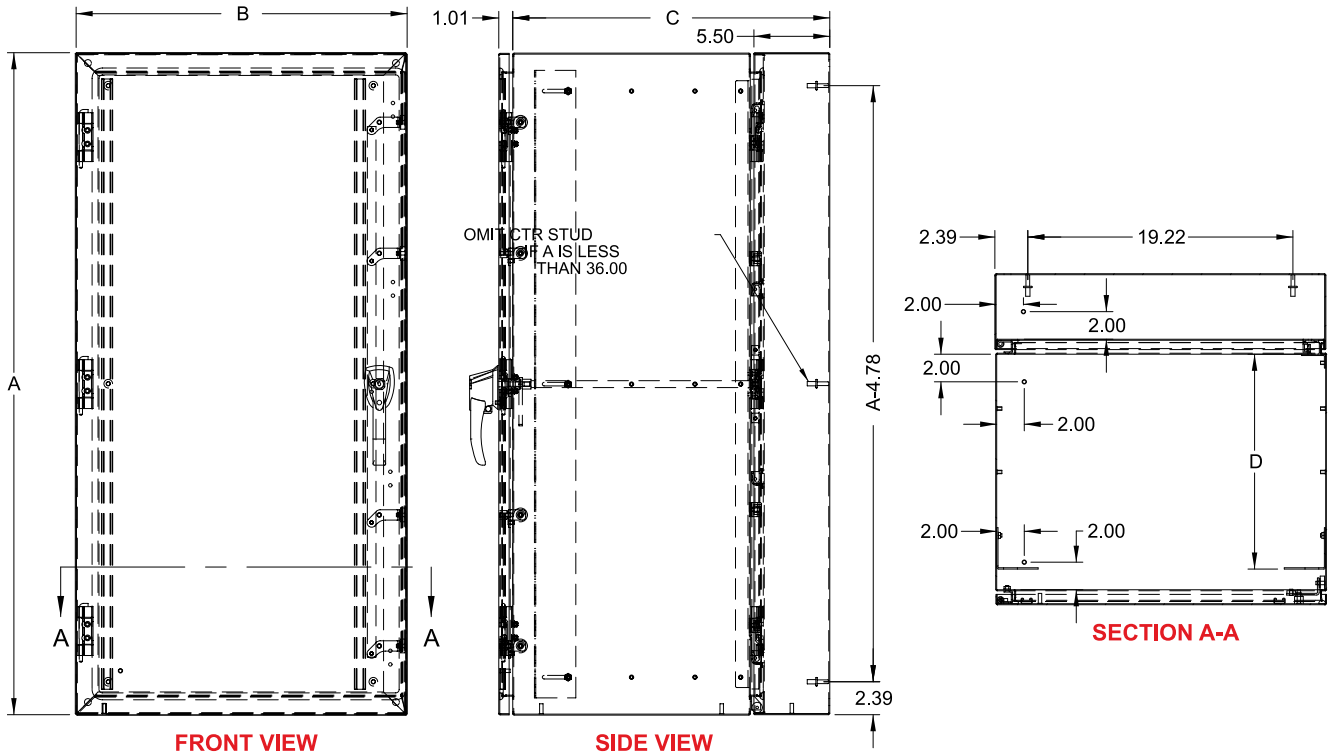
Finish

- RAL7035 light Gray

Accessories

- Eclipse mounting foot kit
...see page 31
- Literature pocket...*see page 456*
- Breather kits...*see page 400-401*
- Filter fans...*see page 371-384*
- Thermostats...*see page 397*
- Rainhoods...*see page 386*
- Touch up paint...*see page 455*

Eclipse Dual Access Series - NEMA 4, 12



Data Communication Infrastructure

Solid Door Part No.	Window Door Part No.	Overall Dimensions				Rack Units
		A	B	C	D	
EN4DH162415LG	EN4DH162415WLG	16	24	15	7.6	7
EN4DH202415LG	EN4DH202415WLG	20	24	15	7.6	10
EN4DH242415LG	EN4DH242415WLG	24	24	15	7.6	12
EN4DH362415LG	EN4DH362415WLG	36	24	15	7.6	19
EN4DH482415LG	EN4DH482415WLG	48	24	15	7.6	26
EN4DH162424LG	EN4DH162424WLG	16	24	24	16.6	7
EN4DH202424LG	EN4DH202424WLG	20	24	24	16.6	10
EN4DH242424LG	EN4DH242424WLG	24	24	24	16.6	12
EN4DH362424LG	EN4DH362424WLG	36	24	24	16.6	19
EN4DH482424LG	EN4DH482424WLG	48	24	24	16.6	26

Optional Rear Inner Panel

Part No.	Overall Dimensions	
	H	W
EPGDH1624	12.2	20.2
EPGDH2024	16.2	20.2
EPGDH2424	20.2	20.2
EPGDH3624	32.2	20.2
EPGDH4824	44.2	20.2

Extra 19" Panel Rails (Sold in pairs)

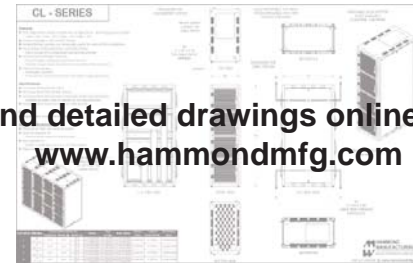
Part No.	Rack Units
EPDHR7	7
EPDHR10	10
EPDHR12	12
EPDHR19	19
EPDHR26	26

Weight Loading lbs	Rack Units
100	7
100	10
120	12
140	19
180	26

Modular Rack Cabinet System

C2 Series

Data Communication Infrastructure



Find detailed drawings online at:
www.hammondmfg.com

Application

- The C2 Rack Cabinet Series provides users with a generous amount of flexibility for electronic, test and measurement as well as entry level computer room applications.
- Standard C2 assemblies provide easy-ordering for common applications (visit our website at www.hammondmfg.com for assembled "Rapid Rack" options). For a more application specific solution, specifiers can mix and match standard components.
- Special colors, sizes or other modifications available from the factory.

Features

- Available in height from 20U to 49U
- Available depth of up to 36 inches
- Cabinet frame features an open-top design supporting optional solid and vented top panels, as well as a selection of fan tops capable of to 550 CFM
- EIA-compliant mounting rails are sold in pairs and are available with either tapped or square-hole design
- Rails feature rack unit markings for easy equipment installation
- Infinite rail depth setting using C-channel struts
- Door options include solid, louvered, Acrylic (with and without side venting)
- Doors include lockable latch, magnetic catch and spring loaded hinge pins for instant installation or removal

Construction

- Fully-welded 14-gauge steel frame with a weight-load rating of 1,500 lbs
- Four (4) leveling feet are included with support for optional casters
- Grounding studs provided on frame as well as side panels and doors
- Mounting rails are zinc plated for superior grounding
- Doors fabricated of 16 gauge steel

Accessories

- Power Bars...*see page 444*
- Hardware...*see page 432*
- Shelves...*see page 425*
- Panels...*see page 426*
- Cable Managers...*see page 426*









Finish

- Cabinet components (and many accessories) are finished in textured powder paint.
- Standard stock colours include black and Light Gray.

Modular Data Center Cabinet System

C2 Series

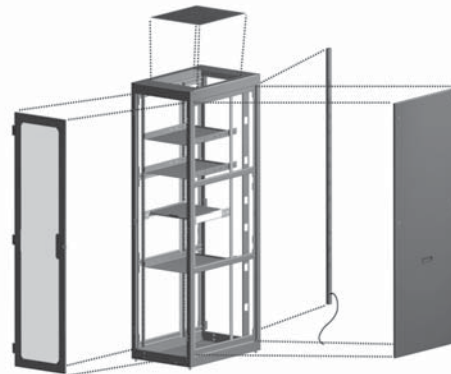
Data Communication Infrastructure

SAVE TIME ONLINE, BUILD YOUR CABINET ONLINE USING Q-ASSEMBLY. www.q-assembly.com		23" Overall Width (19" mounting)		
		40U 77.31" Overall Ht.	45U 86.06" Overall Ht.	49U 93.06" Overall Ht.
Step 1 Frame 	23.6" Deep Frame (Usable depth = 21.6")	C2F197023BK1	C2F197823BK1	C2F198523BK1
	31.5" Deep Frame (Usable depth = 29.5")	C2F197031BK1	C2F197831BK1	C2F198531BK1
	36" Deep Frame (Usable depth = 34")	C2F197036BK1	C2F197836BK1	C2F198536BK1
	42" Deep Frame (Usable depth = 40")	Available as Special Order or see C4 Series.		
	<i>Looking for a specific size not listed above? Please ask your Hammond rep about our modification services.</i>			
Step 2 19" Mounting Rails 	Standard Tapped 10-32 Rails (Pair)	CCR70TZPL	CCR78TZPL	CCR85TZPL
	Standard Square Hole Rails (Pair)	CPR70SZPL	CPR78SZPL	CPR85SZPL
<i>All C2 Rails are Zinc Plated and are stamped with rack unit spacing.</i>				
Step 3 Side Panels 	23.6" Solid Side Panels (Pair)	CSP7023BK1	CSP7823BK1	CSP8523BK1
	31.5" Solid Side Panels (Pair)	CSP7031BK1	CSP7831BK1	CSP8531BK1
	36" Solid Side Panels (Pair)	CSP7036BK1	CSP7836BK1	CSP8536BK1
Step 4 Doors 	Solid Door	CDF1970SBK1	CDF1978SBK1	CDF1985SBK1
	Louvered Door	CDF1970LBK1	CDF1978LBK1	CDF1985LBK1
	Perforated Door 51% F. A. R.	CDF1970VBK1	CDF1978VBK1	n/a
	Tinted Acrylic Door with Venting	CDF1970VPBK1	CDF1978VPBK1	n/a
	Tinted Acrylic Door	C2DF1970PBK1	C2DF1978PBK1	C2DF1985PBK1
Step 5 Top Panels 	23.6" Solid Top Panel	C2T1923SBK1	C2T1923SBK1	C2T2423SBK1
	31.5" Solid Top Panel	C2T1931SBK1	C2T1931SBK1	C2T2431SBK1
	36" Solid Top Panel	C2T1936SBK1	C2T1936SBK1	C2T2436SBK1
	23.6" Vented Top Panel	C2T1923VBK1	C2T1923VBK1	C2T2423VBK1
	31.5" Vented Top Panel	C2T1931VBK1	C2T1931VBK1	C2T2431VBK1
	36" Vented Top Panel	C2T1936VBK1	C2T1936VBK1	C2T2436VBK1
	23.6" Fan Top Panel (4 or 6 holes)	C2T1923FBK1	C2T1923FBK1	C2T2423FBK1
	31.5" Fan Top Panel (4 or 6 holes)	C2T1931FBK1	C2T1931FBK1	C2T2431FBK1
	36" Fan Top Panel (4 or 6 holes)	C2T1936FBK1	C2T1936FBK1	C2T2436FBK1
	23.6" Fan Top Panel (4x 4.7" Fans)	C2T1923F4BK1	C2T1923F4BK1	C2T2423F4BK1
	31.5" Fan Top Panel (4x 4.7" Fans)	C2T1931F4BK1	C2T1931F4BK1	C2T2431F4BK1
	36" Fan Top Panel (4x 4.7" Fans)	C2T1936F4BK1	C2T1936F4BK1	C2T2436F4BK1
23.6" Fan Top Panel (1x 10" Fan)	C2T1923F10BK1	C2T1923F10BK1	C2T2423F10BK1	
31.5" Fan Top Panel (1x 10" Fan)	C2T1931F10BK1	C2T1931F10BK1	C2T2431F10BK1	
36" Fan Top Panel (1x 10" Fan)	C2T1936F10BK1	C2T1936F10BK1	C2T2436F10BK1	
Step 6 Bottom Panel 	23.6" Solid Bottom Panel	C2BPS1923BK1	C2BPS1923BK1	C2BPS1923BK1
	31.5" Solid Bottom Panel	C2BPS1931BK1	C2BPS1931BK1	C2BPS1931BK1
	36" Solid Bottom Panel	C2BPS1931BK1	C2BPS1931BK1	C2BPS1931BK1
Step 7 Vertical Manager 	Vertical Open Tray (each)	VCT70	VCT78	N/A
	Vertical Cable Manager w/Door (each)	VCMDS70BK1	VCMDS78BK1	N/A
<i>Looking for other cable manager solutions? Contact your local Hammond representative.</i>				
Step 8 Misc Hardware 	Casters (Set of 4) 1000lb capacity	1425BH	1425BH	1425BH
	Baying Kit	CGH01	CGH01	CGH01
	Grounding Kit	GRDKIT02	GRDKIT02	GRDKIT02
	10-32 Black Screws w/washers (100 pack)	H1032BK100	H1032BK100	H1032BK100
	10-32 Cage Nuts (100 pack)	1421CNA100	1421CNA100	1421CNA100

Modular Data Center Cabinet System

C4 Series

Data Communication Infrastructure



Your **QUICK & EASY** configuration tool is just a **click** away!



Build your own assembly at: www.q-assembly.com

Find detailed drawings
online at:
www.hammondmfg.com

Application

- The wider and deeper C4 Rack Cabinet Series provides users with maximum amount of flexibility for data center applications.
- Multiple features addressing thermal performance make C4 an ideal choice in high heat load environments.
- Standard C4 assemblies provide easy-ordering for common applications. For a more application specific solution, specifiers can mix and match standard components.
- Special colors, sizes or other modifications available from the factory.

Standards

- Structural integrity of the standard C4 frame design meets Seismic UBC Zone-4 certification.

Features

- 30" wide C4 has generous cabling space, four (3.5" wide) cable entry holes on the top, support for up to four optional 4"-deep vertical cable managers, and an open base for easy cable access from raised-tile sub-floors
- EIA-compliant mounting rails are sold in pairs and are available with either tapped or square-hole design
- Cabinet frame features an open-top design supporting optional solid/vented top panels, as well as fan tops capable of up to 550 CFM
- Cabinets come standard with an open base design to allow for cable entry and cold-air supply in raised-tile-floor installations
- Rails feature rack unit markings for easy equipment installation
- Infinite rail depth setting using C-channel struts
- Rails for 30" wide unit have cable-tie support and pass-through hole
- Door options include solid, Acrylic and perforated.
- Perforated doors are offered in single and split door. Split doors can save valuable working space when accessing the back of the cabinet.
- Perforated doors for both front and back of the cabinet are suggested for most server applications.
- Doors include lockable latch, magnetic catch and spring loaded hinge pins for instant installation or removal

Construction

- Fully-welded 14-gauge steel frame with heavy-duty struts contributing to a weight-load rating of 2000 lbs
- Four (4) leveling feet are included with support for optional casters
- Grounding studs provided on frame as well as side panels and doors
- Mounting rails are zinc plated for superior grounding
- Doors fabricated of 16 gauge steel

Accessories









- Vertical cable trays are available for both 24" and 30"-Wide cabinets. 30" wide compatible versions feature magnetic-latching doors, and 3.5" wide x 4" deep cable space.
- Power Bars...see page **444**
- Hardware...see page **432**
- Shelves...see page **425**
- Panels...see page **426**
- Cable Managers...see page **426**

Finish

- Cabinet components (and many accessories) are finished in textured black powder paint.
- Standard stock color black.

Modular Data Center Cabinet System

C4 Series

SAVE TIME ONLINE, BUILD YOUR CABINET ONLINE USING Q-ASSEMBLY. www.q-assembly.com		24" Overall Width (19" Mounting)		30" Overall Width	
		42U	44U	44U	
		80" Overall Ht.	83.5" Overall Ht.	83.5" Overall Ht.	
Step 1 Frame		31.5" Deep Frame (Usable depth = 29.5")	C4F247331BK1	C4F247731BK1	C4F307731BK1
		36" Deep Frame (Usable depth = 34")	C4F247336BK1	C4F247736BK1	C4F307736BK1
		42" Deep Frame (Usable depth = 40")	C4F247342BK1	C4F247742BK1	C4F307742BK1
		48" Deep Frame (Usable depth = 46")	Special Order	Special Order	Special Order
		Looking for a specific size not listed above? Please ask your Hammond rep about our modification services.			
Step 2 19" Mounting Rails		Standard Tapped 10-32 Rails (Pair)	C4PR2473TZPL	C4PR2477TZPL	n/a
		Standard Square Hole Rails (Pair)	C4PR2473SZPL	C4PR2477SZPL	n/a
		Extra Wide Tapped Rails (Pair)	n/a	n/a	C4PR77TZPL
		Extra Wide Square Hole Rails (Pair)	n/a	n/a	C4PR77SZPL
		All C4 Rails are Zinc Plated and include a 25 pack of 10-32 screws and cage nuts.			
Step 3 Side Panels		31.5" Solid Side Panels (Pair)	C4SP7331SBK1	C4SP7731SBK1	C4SP7731SBK1
		36" Solid Side Panels (Pair)	C4SP7336SBK1	C4SP7736SBK1	C4SP7736SBK1
		42" Solid Side Panels (Pair)	C4SP7342SBK1	C4SP7742SBK1	C4SP7742SBK1
		31.5" Vented Side Panels (Pair)	C4SP7331VBK1	C4SP7731VBK1	C4SP7731VBK1
		36" Vented Side Panels (Pair)	C4SP7336VBK1	C4SP7736VBK1	C4SP7736VBK1
		42" Vented Side Panels (Pair)	C4SP7342VBK1	C4SP7742VBK1	C4SP7742VBK1
Step 4 Doors		Solid Door	C4DF2473SBK1	C4DF2477SBK1	C4DF3077SBK1
		Tinted Acrylic Door	C4DF2473PBK1	C4DF2477PBK1	C4DF3077PBK1
		Perforated Door 51% F. A. R.	C4DF2473VBK1	C4DF2477VBK1	C4DF3077VBK1
		Perforated Split Doors 51% F. A. R. (Pair)	C4BD2473VBK1	C4BD2477VBK1	C4BD3077VBK1
Step 5 Top Panels		31.5" Solid Top Panel	C2T1923SBK1	C2T1923SBK1	C2T2423SBK1
		36" Solid Top Panel	C2T1931SBK1	C2T1931SBK1	C2T2431SBK1
		42" Solid Top Panel	C2T1936SBK1	C2T1936SBK1	C2T2436SBK1
		31.5" Vented Top Panel	C2T1923VBK1	C2T1923VBK1	C2T2423VBK1
		36" Vented Top Panel	C2T1931VBK1	C2T1931VBK1	C2T2431VBK1
		42" Vented Top Panel	C2T1936VBK1	C2T1936VBK1	C2T2436VBK1
		31.5" Fan Top Panel (4 or 6 holes)	C2T1923FBK1	C2T1923FBK1	C2T2423FBK1
		36" Fan Top Panel (4 or 6 holes)	C2T1931FBK1	C2T1931FBK1	C2T2431FBK1
		42" Fan Top Panel (4 or 6 holes)	C2T1936FBK1	C2T1936FBK1	C2T2436FBK1
		31.5" Fan Top Panel (4x 4.7" Fans)	C2T1923F4BK1	C2T1923F4BK1	C2T2423F4BK1
		36" Fan Top Panel (4x 4.7" Fans)	C2T1931F4BK1	C2T1931F4BK1	C2T2431F4BK1
		42" Fan Top Panel (4x 4.7" Fans)	C2T1936F4BK1	C2T1936F4BK1	C2T2436F4BK1
		31.5" Fan Top Panel (1x 10" Fan)	C2T1923F10BK1	C2T1923F10BK1	C2T2423F10BK1
36" Fan Top Panel (1x 10" Fan)	C2T1931F10BK1	C2T1931F10BK1	C2T2431F10BK1		
42" Fan Top Panel (1x 10" Fan)	C2T1936F10BK1	C2T1936F10BK1	C2T2436F10BK1		
Step 6 Bottom Panel		31.5" Solid Bottom Panel	C4B2431SBK1	C4B2431SBK1	C4B3031SBK1
		36" Solid Bottom Panel	C4B2436SBK1	C4B2436SBK1	C4B3036SBK1
		42" Solid Bottom Panel	C4B2442SBK1	C4B2442SBK1	C4B3042SBK1
Step 7 Vertical Manager		Vertical Open Tray (each)	VCT73	VCT77	VCT77
		Vertical Cable Manager w/Door (each)	C4VCM73BK1	C4VCM77BK1	C4VCM77BK1
Looking for a fingered, fiber or other manager? We may have models that may be ordered as a special.					
Step 8 Misc Hardware		Casters (Set of 4) 1000lb capacity	1425BH	1425BH	1425BH
		Baying Kit	CGH01	CGH01	CGH01
		Grounding Kit	GRDKIT02	GRDKIT02	GRDKIT02
		10-32 Black Screws w/washers (100 pack)	1421ABK100	1421ABK100	1421ABK100
		10-32 Cage Nuts (100 pack)	1421CNA100	1421CNA100	1421CNA100
		Seismic Bolt-Down Kit	C4K-Z4	C4K-Z4	C4K-Z4

Data Center Cabinet Assembly

DC100 Series

Data Communication Infrastructure



Shown with optional side panels.

Application

- The Hammond Data Center 100 (DC100) was designed for Server, Network and Data Storage applications. DC100 cabinets feature an array of enhancements over traditional cabinets, with cooling performance and enhanced security features demanded by today's IT manager.

Standards

- Structural integrity of the standard DC100 frame design meets Seismic UBC Zone-4 certification.

Features

- The DC100 series cabinets are offered in two capacities, 42U spaces and 24U spaces. A standard overall width of 24" allow cabinets to side or bay together matching standard 2ft floor tile placement, optimizing sub-floor cable and cold-air access without conflict. Overall depth of 42" but can be modified up to 48" to provide support for deep server dimensions while providing additional space for cable management.

- The top of the DC100 includes two (2) 3.5" diameter cable entry holes and one (1) 18 x 3" rectangle cable entry (comes with solid filler panel).
- Open frame bottom allows raised tile floor cable and air access. Also includes a removable rear gland plate for floor-level cable entry. One (1) vertical cable tray included.
- Includes two (2) pair of 19" mounting EIA-310-D compliant square-hole design feature U-markings. Infinite-depth setting using C-channel struts.
- Four (4) leveling feet are included with support for included recessed casters. Grounding studs provided on frame, side panels and doors. Side panels are only included with the 24U model. Side panels are sold separately for 42U model.
- Doors include front and rear enhanced locking handles that include a 2-point locking mechanism. Front perforated door offers 65% airflow. Split rear perforated doors offers 65% airflow.
- Perforated doors for front and rear of the cabinet are suggested for most server applications. DC100 cabinet frame features an open-top design supporting optional solid and vented top panels, as well as a selection of fan tops capable of up to 550CFM.

Construction

- The DC100 features a fully-welded 14-gauge steel frame with heavy-duty struts contributing to a weight-load rating of 2000 lbs.
- Rails are fabricated of heavy duty 12 gauge steel, zinc-plated for superior grounding.

Accessories

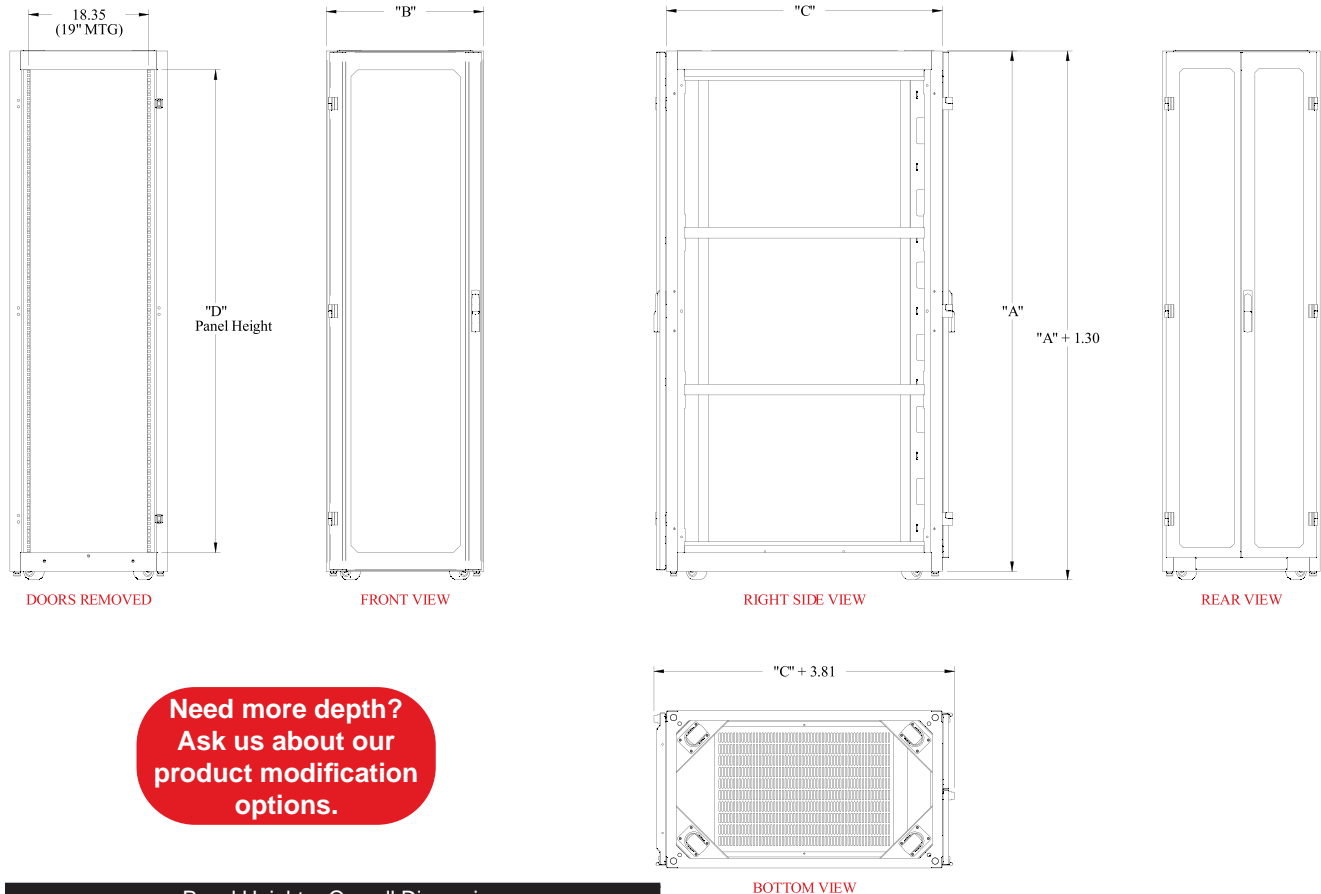
- Electronic Handle - Upgrade your handles to our new electronic controlled handle with key override.
- Manage access using your SNMP smart PDU now available from Hammond Mfg. Ask your Hammond rep for details.
- Power Bars...*see page 444*
- Hardware...*see page 432*
- Shelves...*see page 425*
- Panels...*see page 426*
- Cable Managers...*see page 426*

Finish

- Rugged textured black powder paint

Data Center Cabinet Assembly

DC100 Series



Part No.	Panel Height		Overall Dimensions			
	Inches	Units	Width	Depth	Height w/ casters	Weight lbs.
DC1004242	73.5	42	24	42	80.6	205
DC1004224	42	24	24	42	49.1	210

Accessories:

Part No.	Description
DC100SP4242	DC100 42U Locking Side Panel Kit (includes 2 x panels)
DC10042RAIL	EXTRA pair of square-hole, vertical mounting rails 42U high
DC10024RAIL	EXTRA pair of square-hole, vertical mounting rails 24U high
DC100AD42	DC100 42U Air Dam Kit
DC100AD24	DC100 24U Air Dam Kit
DC100RHINGE	DC100 Right Hand Door Hinge
DC100ATIP	DC100 Stabilizer / Anti-tip Bracket
DCT42	DC Series 42U Vertical Cable Manager Tray
DCT24	DC Series 24U Vertical Cable Manager Tray
CGH01	Baying Hardware Kit (All Hammond Cabinets and Racks)
C4K-Z4	Seismic Bolt-Down Kit

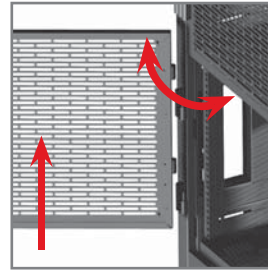
Technical references and CAD downloads available at www.hammondmfg.com

All dimensions in inches unless specified otherwise

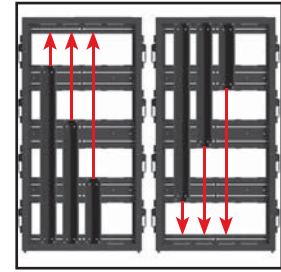
Modular Co-Location Cabinet System

CL Series

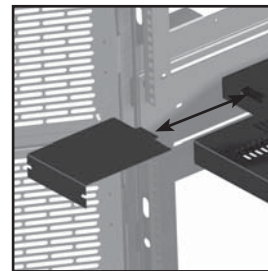
Data Communication Infrastructure



Doors open 180° and can be removed by swinging open and lifting off.



Vertical Cable Management can easily be moved to top or bottom.



Easily remove cover panels to install a vertical PDU.



One frame fits all bay configurations. Easily pass cables between cabinets.

Application

- Hammond's Co-location Rack Cabinet features four (4) different bay configurations. Whether you are leasing the space or want to restrict access to sections of your cabinet, the Hammond CL Series is loaded with innovative features.

Features

- One single frame allows multiple bay configurations. Mounting space includes:
 - 1-Bay = 44U, 2-Bay = 21U, 3-Bay = 14U, 4-Bay = 10U
- Standard available configurations available in 36" and 42" depths.
- Vented shelves include rear removable panels for vertical PDU installations.
- Front and Rear Perforated Doors with 65% air flow.
- Doors include 4-pin combination lock with key override.

- Vertical Cable Managers can be installed either top or bottom. Designed to accommodate sliding rail mount kit on servers.
- Cabinet top includes brushed cable entry for cable managers, removable top panel and provisions for containment system and cable trough accessories.

Construction

- 14-gauge welded steel frame; 16-gauge doors and side panel.
- EIA-Compliant adjustable depth mounting rails.
- Available as Square Hole or Tapped (10-32) mounting rail.
- Recommended maximum weight load tested for 1,800 lbs.

Accessories

- Third set of rails can easily be added with either 10-32 taps or square holes.
- Security upgrade kit ensures entire cabinet is tamper-proof.
- Bay upgrade kit divides a single bay into a 2, 3 or 4 bay cabinet.
- Right-hand door hinge kit.
- Power Bars...see page **444**
- Hardware...see page **432**
- Shelves...see page **425**
- Panels...see page **426**
- Cable Managers...see page **426**

Finish

- Rugged textured black powder paint

Technical references and CAD downloads available at www.hammondmfg.com

All dimensions in inches unless specified otherwise

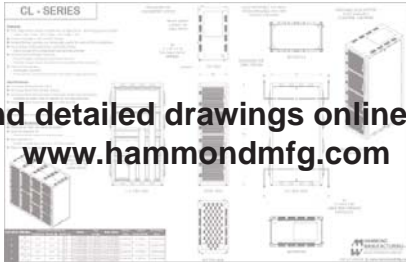
Modular Co-Location Cabinet System

CL Series

Your **QUICK & EASY** configuration tool is just a click away!



Find detailed drawings online at:
www.hammondmfg.com



Build your own assembly at: www.q-assembly.com

Use this chart to select your desired parts below. You may prefer to visit www.q-assembly.com and build your preferred solution online.

			1 Bay (44U)	2 Bay (21U)	3 Bay (14U)	4 Bay (10U)
Step 1 Frame	Overall Dimensions 24" (W) x 83.4" (H)	36" deep	CLF244436BK	CLF244436BK	CLF244436BK	CLF244436BK
		42" deep	CLF244442BK	CLF244442BK	CLF244442BK	CLF244442BK
Step 2 Rails	19" Tapped 10-32 Rails (Pair)		CLTR44U	CLTR21U	CLTR14U	CLTR10U
	19" Square Hole Rails (Pair)		CLSR44U	CLSR21U	CLSR14U	CLSR10U
Step 3 Side Panels	Solid Side Panels (Each)	36" deep	CLSP4436BK (Compatible with all bay configurations)			
	Solid Side Panels (Each)	42" deep	CLSP4442BK (Compatible with all bay configurations)			
Step 4 Internal Kit	Each kit contains the doors, cable managers and bay shelves.	36" deep	CL1B36KIT	CL2B36KIT	CL3B36KIT	CL4B36KIT
		42" deep	CL1B42KIT	CL2B42KIT	CL3B42KIT	CL4B42KIT
Step 5 Top Panel	Solid Top Panel		C2T1923SBK1 (Compatible with all bay configurations)			
	Vented Top Panel		C2T1923VBK1 (Compatible with all bay configurations)			
Step 6 Bottom Panel	Solid Bottom Panel	36" deep	CLB2436 (Compatible with all bay configurations)			
	Solid Bottom Panel	42" deep	CLB2442 (Compatible with all bay configurations)			
Step 7	Baying Kit		GKIT (Compatible with all bay configurations)			
	Grounding Kit		GRDKIT02 (Compatible with all bay configurations)			
	Seismic Bolt-Down Kit		C4K-Z4 (Compatible with all bay configurations)			
	Security Upgrade Kit		CLSECUPG (Compatible with all bay configurations)			
	Cable Trough		CLTROUGH (Compatible with all bay configurations)			
	Right-hand door hinge kit.		CLRHNG (Compatible with all bay configurations)			
	PDU Tooless Mount Bracket		VCTPDU44U (Compatible with all bay configurations)			

Data Communication Infrastructure



Every Hammond CL Series cabinet can be converted into an air containment system.

Each CL Series frame includes provisions for a gasketed top panel, top cable trough and containment aisle door that can be secured to the first set of the row. (Sold separately)

Contact your Hammond rep for more details.

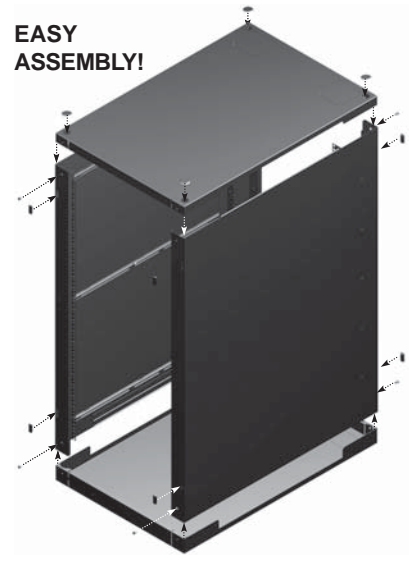
Stacking Knockdown Server Cabinet

RCSC Series

Data Communication Infrastructure

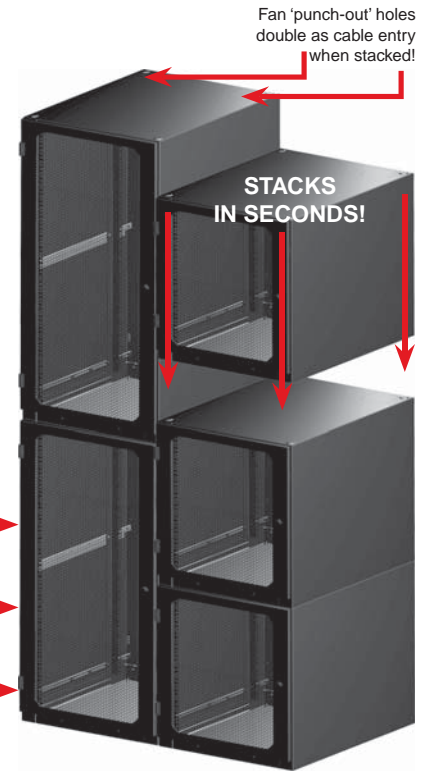


Optional High Airflow vented door shown.



EASY ASSEMBLY!

NOTE: Baying kit (RCSCBAY) is required to lock cabinets together securely when stacking.



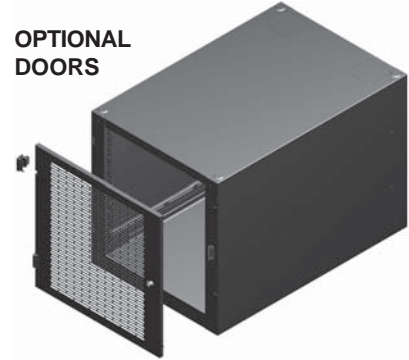
Application

- The RCSC Rack Cabinet features a stacking design that allows for up to three (3) cabinets* to be stacked atop each other. This Rack Cabinet is fully loaded and includes two (2) pairs of infinitely adjustable sliding EIA square-hole rails, punch-outs for cable entry and/or fan cooling and comes in a variety of sizes and depths.

Features

- The unique stacking feature enables your cabinet space to grow as your needs do. *Stack up-to three (3) 12U, two (2) 24U or one (1) of each cabinet atop each other using the required baying kit (RCSCBAY). The 12U cabinet is a great starter cabinet for any small to medium sized business.
- Four (4) embosses are included with support for optional levelling feet or casters.
- Includes two (2) pair of 19" mounting EIA-310-D compliant square-hole design feature U space markings. Rails are infinitely adjustable in depth. Rails are fabricated of heavy duty fourteen (14) gauge steel, painted smooth black.

OPTIONAL DOORS



- The top and bottom of the RCSC includes two (2) laser knockouts (per side) for cable-entry or fans (includes gasket strip material). For 36" depth cabinet side panels include cable entry knockouts. Also includes a laser knockout rear gland plate for floor-level cable entry.
- Optional doors are available in solid, tinted acrylic, honey-comb perf and high airflow vented. Snap-in hinges can be mounted without having to bolt-on from inside the cabinet. In addition, the hinges can be mounted on the left or right.
- High airflow perforated doors for both front and rear of the cabinet are suggested for most server applications. Perforated doors meet server manufacturer Free-Air-Ratio (FAR) requirements at 65%.

Construction

- The RCSC features a knockdown 16-gauge steel frame with heavy-duty struts contributing to a weight-load rating of 1500 lbs. Ships un-assembled in (flat-pack).
- Grounding studs provided on body.

Accessories

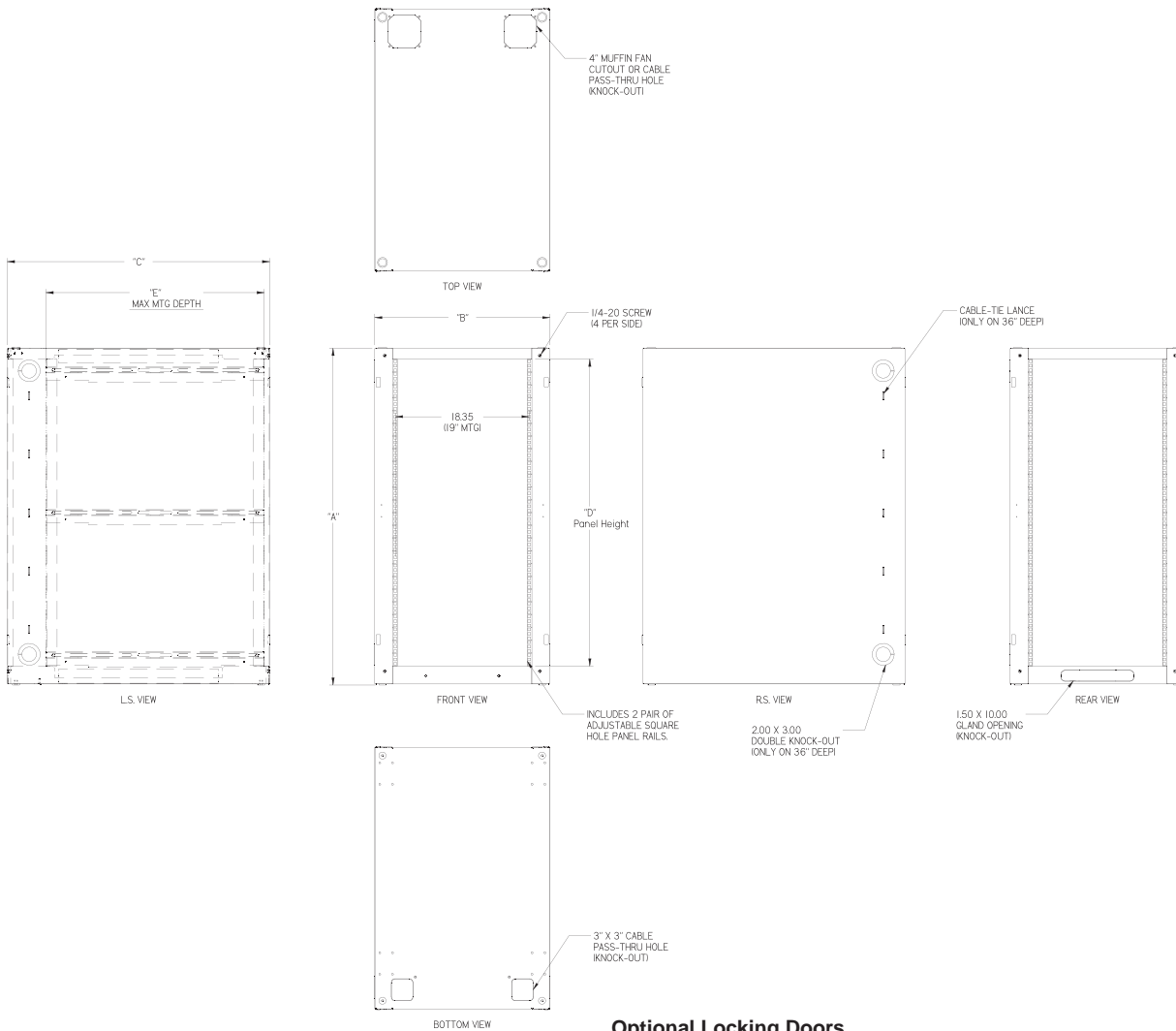
- Power Bars...see page 444
- Hardware...see page 432
- Shelves...see page 425
- Panels...see page 426
- Cable Managers...see page 426

Finish

- Rugged textured black powder paint

Stacking Knockdown Server Cabinet

RCSC Series

Data Communication Infrastructure


Part No.	Units	Overall Height	Overall Depth	Max Mounting Depth
RCSC1902124BK1	12U	25"	24.5"	23"
RCSC1904224BK1	24U	46"	24.5"	23"
RCSC1902131BK1	12U	25"	31.5"	30"
RCSC1904231BK1	24U	46"	31.5"	30"
RCSC1902136BK1	12U	25"	36"	30"
RCSC1904236BK1	24U	46"	36"	30"

Includes 50-Pack 10-32 cage nuts and screws.

Optional Locking Doors

Part No.	Description
RCSC19021PDBK1	12U Perforated Door w/lock
RCSC19021SDBK1	12U Solid Door w/lock
RCSC19021VDBK1	12U Vented Door w/lock
RCSC19042PDBK1	24U Perforated Door w/lock
RCSC19042SDBK1	24U Solid Door w/lock
RCSC19042VDBK1	24U Vented Door w/lock

Optional Accessories:

Part No.	Description
RCSCATIP	Anti-tip brackets
RCSCBAY	Baying kit - bays (2) RCSC's together (vertically or horizontally)
GRDKIT02	Cabinet ground cable kit
DNFK1AC120	Single (1) Fan kit with grills and cord
DNFK2AC120	Dual (2) Fan kit with grills and cord

Optional Casters

Part No.	Description	Rated
1425P	Light-duty casters(4)	400 lbs
1425BH	Heavy duty casters(4)	1000 lbs

2-Post Steel (Welded & Knockdown) Relay Rack

DNRR Series

Data Communication Infrastructure



DNRR

DC2R

Application

- Suitable for many 19" rack mount applications, providing complete access to equipment.

Features

- Welded version - no assembly required. Knockdown version –convenient transport and storage, easy to assemble
- Universal EIA (5/8 - 5/8 - 1/2 inch) spacing.
- Choice of front flange or both flanges - drilled & tapped. Note: DC2R44 version features square holes.
- Base can be lagged to floor.
- Accepts optional casters and dollies.

Construction

- Fabricated in 10-gauge steel (heavy duty) or 12-gauge steel (light duty).

Finish

- Finished in rugged textured black powder paint.

Accessories

- Hardware...see page **432**
- 2 Post Shelves...see page **425**
- Cable Managers...see page **421**

Heavy Duty Relay Rack (Weight Capacity up to 1,530 lbs)

Single Tapped Welded Part No.	Double Tapped Welded Part No.	Double Tapped Knockdown Part No.	Description (10 Gauge)
DNRR70HDW	DNRR70HDWB	DNRR70HDKB	40U, 19" Rack Mounting, 70" Overall Height
DNRR77HDW	DNRR77HDWB	DNRR77HDKB	44U, 19" Rack Mounting, 77" Overall Height
DNRR84HDW	DNRR84HDWB	DNRR84HDKB	48U, 19" Rack Mounting, 84" Overall Height
-	DNRR2377HDWB	-	44U, 23" Rack Mounting, 77" Overall Height
-	DNRR2384HDWB	-	48U, 23" Rack Mounting, 84" Overall Height

Light Duty Relay Rack (Weight Capacity up to 1,200 lbs)

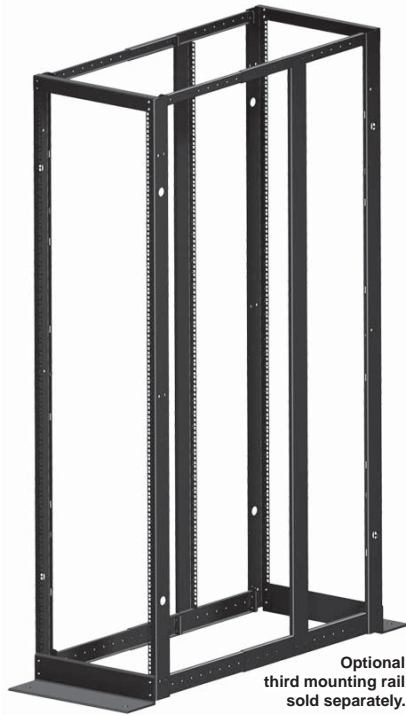
Single Tapped Welded Part No.	Single Tapped Knockdown Part No.	Square Hole Knockdown Part No.	Deep Channel Knockdown Part No.	Description (12 Gauge)
DNRR70LDW	DNRR1970LDK	-	DNRR1970DCK	40U, 19" Rack Mounting, 70" Overall Height
DNRR77LDW	DNRR1977LDK	DC2R44	DNRR1977DCK	44U, 19" Rack Mounting, 77" Overall Height
DNRR84LDW	DNRR1984LDK	-	-	48U, 19" Rack Mounting, 84" Overall Height

Note: Just a reminder we have over thirty (30) rack part numbers available at www.hammondmfg.com

Technical references and CAD downloads available at www.hammondmfg.com

All dimensions in inches unless specified otherwise

4-Post Steel Open Rack DC4R Series



Application

- The Hammond DC4R Open Rack series is one of the most economical solutions to house servers and other devices in wiring closets or data centers. In situations where the wiring closet itself is under lock and key and accessed by a limited number of people, full cabinets having locking doors and side panels may not be required resulting in a significant cost savings.

Features

- Available in 24U and 44U and up to 48" in overall depth (See table below).
- 24U (42") - 48.125" over-all height, 20.5" over-all width
- 44U (77") - 83" over-all height, 20.5" over-all width
- Two (2) pair of 19" mounting EIA-310-D compliant square-hole rails integrated into DC4R Frame. Features rack unit space marking hole.
- Includes one (1) set of two (2) horizontal cable manager bars (DC4RSHCM). Additional cable manager bars available (see page 5)

Construction

The DC4R structure is constructed of 12 gauge steel and has 19" mounting integrated into the front and rear of the frame.

Finish

- Smooth black powder paint.

Accessories

- Hardware...see page [432](#)
- 2 Post Shelves...see page [425](#)
- Cable Managers...see page [421](#)

Part No.	Description
DC4R24	24U 4-Post Rack Kit (24" to 36" overall depth)
DC4R44	44U 4-Post Rack Kit (24" to 36" overall depth)
DC4R2448	24U 4-Post Rack Kit (32" to 48" overall depth)
DC4R4448	44U 4-Post Rack Kit (32" to 48" overall depth)

Optional Accessories

Part No.	Description
RRALJK	Standard Baying Hardware Kit
DC4RSHCM	Additional Horizontal Cable Bars (2)
DC4RPR24	Additional pair of rails for DC4R 24U
DC4RPR44	Additional pair of rails for DC4R 44U



RRALJK
Baying Kit



DC4RSHCM
Horizontal Cable Manager
Bars with Adjustable Depth

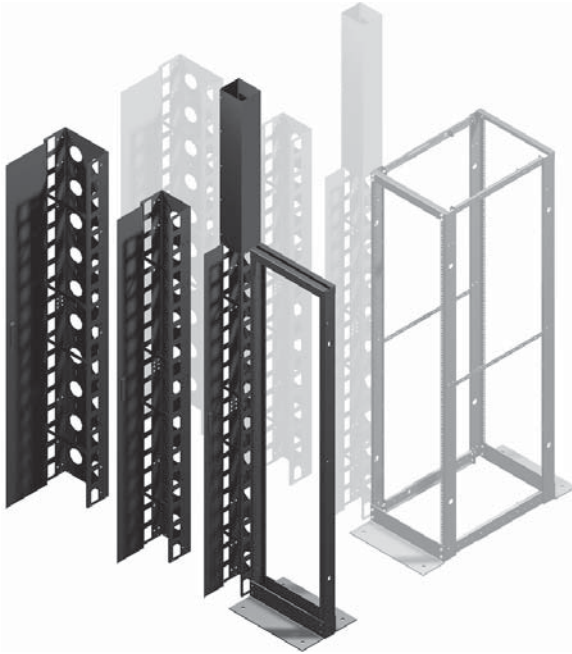
Technical references and CAD downloads available at www.hammondmfg.com

All dimensions in inches unless specified otherwise

Quality Products. Service Excellence.

2 & 4 - Post Relay Rack Accessories

Data Communication Infrastructure



Vertical Cable Managers

- Available in three widths (6", 8", 12")
- Hinged doors secured with magnets
- Can mount on left or right of rack
- Managers can also bay racks
- 16 gauge steel
- Mounting hardware included

Part No.	Description	H	W	D
RRCM44UD	44U Manager w/Door	77"	6"	5"
RRCM844UD	44U Manager w/Door	77"	8"	6"
RRCM1244UD	44U Manager w/Door	77"	12"	6"

Hammond offers more Vertical Cable Managers varying in size, material and design! Please visit our web site for additional models.

Cable Chimneys

Cable Chimneys are assembled from two halves, making it easy to attach around existing cables.

- Attaches directly to Vertical Managers
- 18 gauge steel
- Easy installation
- Mounting hardware included

Attaches directly to VCM

Part No.	Description	H	W	D
RRCMCH65	Cable chimney	36"	6"	5"
RRCMCH86	Cable chimney	36"	8"	6"
RRCMCH126	Cable chimney	36"	12"	6"

Note: The above cable chimneys are designed to connect directly to our vertical cable managers, and are not compatible with our Top Cable Manager (TCM) System below.



Top Cable Manager (TCM) System

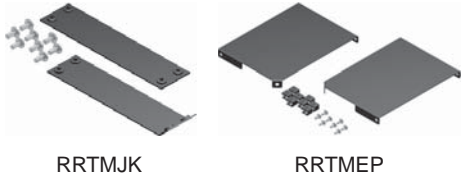
(Compatible with RRCM44UD vertical cable managers only)

Part No.	Description
RR19TMS	Attaches to one (1) rack with one (1) vertical cable manager
RR19TMD	Attaches to one (1) rack with two (2) vertical cable managers
RR19TMDD	Attaches to two (2) racks with two (2) vertical cable managers
RR19TMDT	Attaches to two (2) racks with three (3) vertical cable managers

Cable Chimneys (Attaches directly to TCM)

Part No.	Description	H	W	D
RRCH20	TCM Cable Chimney	20"	5"	5"
RRCH24	TCM Cable Chimney	24"	5"	5"
RRCH30	TCM Cable Chimney	30"	5"	5"

2 & 4 - Post Relay Rack Accessories



Misc Accessories

Part No.	Description
RRALJK	Baying kit - Joins two DNRR racks together
RRTMEP	End-Plates to close TCM ends
RRTMJK	Joining kit - Joins TCM together



Compatible Casters and Dollies

Part No.	Description
RRLDCASTER	Light Duty Casters (4) Rated for 800 lbs (Adds 3.75" to overall height)
RRLPDOL	Low Profile Dolly Rated for 1080 lbs (Adds 1.25" to overall height)
RRHDDOL	Heavy Duty Dolly Rated for 1500 lbs (Adds 3.50" to overall height)

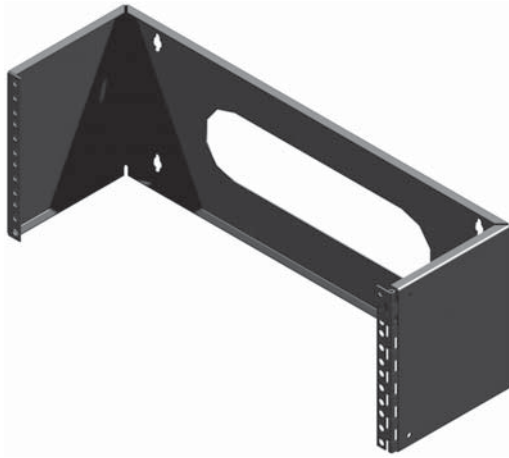
Formed & Knockdown Wall Racks

FWB, HPB & VPB Series

FWB Series - Economy Fixed Wall Bracket

- Hinged for easy rear access to devices.
- Fixed-depth of 6".
- 16 gauge formed steel.
- Rear cable access.
- Black powder paint finish.
- Static weight-load tested up to 70 lbs.
- Includes four (4) 10-32 black rack screws w/washers and clip nuts per rack unit.

Part No.	Description	Contractor Pack
FWB191UBK	1U Wall Bracket	FWB191UBK-12
FWB192UBK	2U Wall Bracket	FWB192UBK-12
FWB194UBK	4U Wall Bracket	FWB194UBK-12

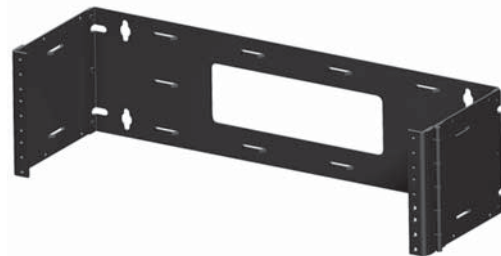


HPB Series - Heavy Duty Fixed Wall Bracket

- Knock-down design.
- Ships un-assembled (flat-pack).
- 14 gauge formed steel.
- Hinged for easy rear access to devices.
- Fixed-depth of 6".
- Multiple tie points for cable management.
- EIA compliant 10-32 tapped holes.
- Static weight-load tested up to 90 lbs.
- Black powder paint finish.

Part No.	Description
HPB19003BK1	2U Wall Bracket
HPB19005BK1	3U Wall Bracket
HPB19007BK1	4U Wall Bracket
PBCOVER	6" Depth Dust cover/shelf

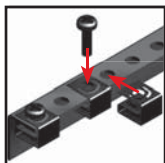
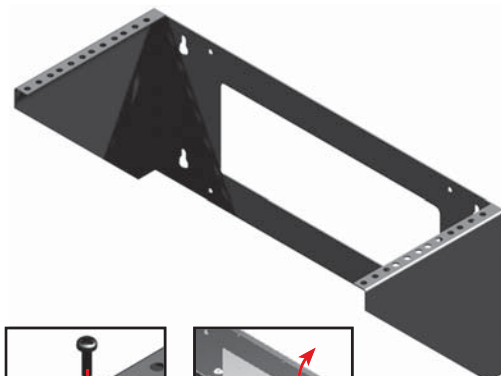
Includes 10 or 25-pack of 10-32 black rack screws w/washers and mounting template for easy installation.



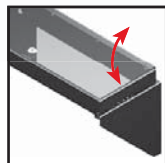
VPB Series - Heavy Duty Vertical Wall Bracket

- Available in 2U, 4U and 6U mounting depths.
- Includes generous rear cutout for cable entry.
- Four (4) wall mount keyholes included.
- 14-gauge formed construction.
- EIA compliant punched hole mounting rails are stronger than square holes.
 - Uses 10-32 clip nuts (includes starter pack of 10-32 clip nuts and screws).
- Recommended weight load tested for 135 lbs.
- Rugged textured black powder paint.

Part #	Panel Height		Overall Dimensions		
	Inches	Units	Height	Width	Depth
VPB192UBK	3.50	2	7.69"	19.19"	4.19"
VPB194UBK	7.00	4	7.96"	19.19"	7.69"
VPB196UBK	10.50	6	11.19"	19.19"	11.19"



Clip nuts are easier to install when compared to square hole cage nuts.



Optional acrylic RMSC hinged panel cover prevents equipment from dust and tampering.

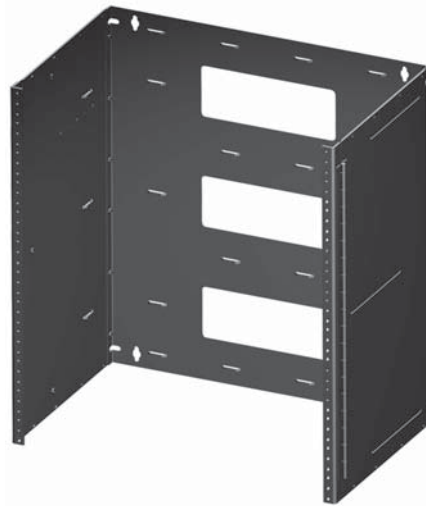
Data Communication Infrastructure

Technical references and CAD downloads available at www.hammondmfg.com

All dimensions in inches unless specified otherwise

Formed & Knockdown Wall Racks

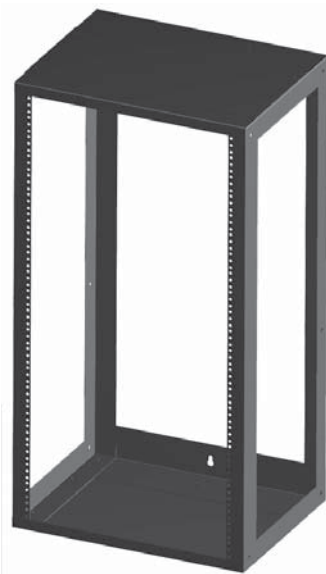
FWB, HPB & VPB Series



APB Series - Heavy Duty Adjustable Wall Bracket

- Knock-down design ships un-assembled (flat-pack).
- Mounting heights available in 4U, 6U, 8U and 12U.
- Available in two depths, from 12" to 18" using slots for easy set-up and adjusting.
- Includes generous rear cutout for cable entry.
- Four (4) wall mount keyholes included.
- Double-hinged for easy rear access.
- Multiple tie points for cable management.
- EIA compliant 10-32 tapped mounting rails.
 - Includes starter pack of 10-32 screws.
- Constructed of 14 gauge formed steel with a recommended weight load of 80 lbs.
- Professional smooth black powder paint.

Part #	Panel Dimensions		Overall Dimensions		
	Height	Units	Height	Width	Depth
APB19007BK1	7.00	4	6.98"	19.25"	12" - 18"
APB19010BK1	10.50	6	10.48"	19.25"	12" - 18"
APB19014BK1	14.00	8	13.98"	19.25"	12" - 18"
APB19021BK1	21.00	12	20.98"	19.25"	12" - 18"



1459 Series - Open Frame

- EIA compliant 10-32 clip nuts mounting rails.
- Suitable for wall or table mounting (with open back).
- Removable top & bottom panels included.
- Four (4) wall mount keyholes included.
- Optional side panels sold separately.
- Comes with rubber feet for table mounting.
- Constructed of 16 gauge formed steel with a recommended weight load of 800 lbs.
- Rugged textured black powder paint finish.

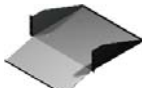
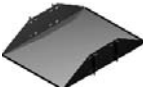
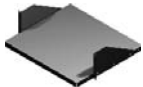
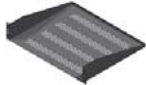
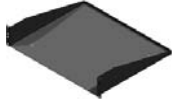
Part #	Panel Dimensions		Overall Dimensions			Side Panels (Sold in Pairs)
	Height	Units	Height	Width	Depth	
1459FBK1	22.75	13	21.12"	24.7"	16.14"	1459FQBK1
1459JBK1	33.25	19	21.12"	35.2"	16.14"	1459JQBK1
1459MBK1	47.25	27	21.12"	49.2"	16.14"	1459MQBK1

Rack Accessories

Mounting Shelves

2-Post Mounting Shelves

Data Communication Infrastructure



Part No.	Description	Surface Depth	Rated
RASU190107UBK1	1U Cantilever Solid Shelf	7"	40 lbs
RASU190115BK1	1U Cantilever Solid Shelf	15"	40 lbs
RASU190120BK1	1U Cantilever Solid Shelf	20"	40 lbs
RASU190315BK1	2U Cantilever Solid Shelf	15"	100 lbs
RASU190320BK1	2U Cantilever Solid Shelf	20"	100 lbs
RASU190515BK1	3U Cantilever Solid Shelf	15"	200 lbs
RASU190520BK1	3U Cantilever Solid Shelf	20"	200 lbs
RASV190107UBK1	1U Cantilever Vented Shelf	7"	40 lbs
RASV190115BK1	1U Cantilever Vented Shelf	15"	40 lbs
RASV190120BK1	1U Cantilever Vented Shelf	20"	40 lbs
RASV190315BK1	2U Cantilever Vented Shelf	15"	100 lbs
RASV190320BK1	2U Cantilever Vented Shelf	20"	100 lbs
RASV190515BK1	3U Cantilever Vented Shelf	15"	200 lbs
RASV190520BK1	3U Cantilever Vented Shelf	20"	200 lbs
DNDMS19BK1	2U Centerd Solid Shelf	19.5"	200 lbs
DNDMV19BK1	2U Centerd Vented Shelf	19.5"	200 lbs
DNRMA1916BK1	3U Cantilever Solid Adjustable Shelf	16"	275 lbs
DNRMA1920BK1	3U Cantilever Solid Adjustable Shelf	20"	275 lbs
DNRMU19BK1	3U Dual-Channel Solid Shelf	19"	300 lbs
DNRMU1924BK1	3U Dual-Channel Solid Shelf	24"	300 lbs
DNRMV19BK1	3U Dual-Channel Vented Shelf	19"	300 lbs
DNRMV1924BK1	3U Dual-Channel Vented Shelf	24"	300 lbs
DNRMM19BK1	3U Dual-Channel Shelf w/storage	19"	300 lbs
RKBM19BK1	3U Cantilever Keyboard/Monitor Shelf	15"	160 lbs

Rack Accessories Panels

19" Filler Panels

- Install in unused rack space to improve both cooling efficiency and system esthetics.
- Rugged black powder paint finish.
- Smooth paint finish for easy labeling.
- Requires mounting hardware
- Other colors and sizes available

Part No.	Description
PBPS19001BK2	1U Solid Steel Panel
PBPS19003BK2	2U Solid Steel Panel
PBPS19005BK2	3U Solid Steel Panel

Part No.	Description
PPFS19001BK2	1U Steel Perforated Panel
PPFS19003BK2	2U Steel Perforated Panel
PPFS19005BK2	3U Steel Perforated Panel

Part No.	Description
PBFS19001BK2	1U Formed Solid Steel Panel
PBFS19003BK2	2U Formed Solid Steel Panel
PBFS19005BK2	3U Formed Solid Steel Panel

Part No.	Description
PBPA19001BK2	1U Aluminum Steel Panel
PBPA19003BK2	2U Aluminum Steel Panel
PBPA19005BK2	3U Aluminum Steel Panel

PBPS Series

- Solid, flat steel panel
- 14 Gauge steel, More economical than aluminum (PBPA series)
- Standard rack mount punching on both ends

PPFS Series

- Perforated steel panel
- Folded 16 ga. steel construction

PBFS Series

- Solid, flat steel panel
- 16 Gauge steel
- Includes a 0.50" fold, top and bottom for added strength
- Standard rack mount punching on both ends

PBPA Series

- Solid, flat aluminum panel
- 0.125" thick aluminum
- Available in more economical steel version (PBPS series)
- Unfinished version is white paper covered on one side to protect finish
- Standard rack mount punching on both ends

Cable Management Panels

- Requires mounting hardware
- Rugged textured black powder paint finish



Part No.	Description
PCMDD19001BK1	1U Hinged Horizontal Cable Manager (2.5" Overall Depth)
PCMDD19003BK1	2U Hinged Horizontal Cable Manager (2.5" Overall Depth)
PCMDD19005BK1	3U Hinged Horizontal Cable Manager (2.5" Overall Depth)



Part No.	Description
PCMBBS19001BK1	1U Steel Ring Panel
PCMBBS19003BK1	2U Steel Ring Panel
PCMBBS23001BK1	1U Steel Ring Panel 23" Mounting
PCMBBS23003BK1	2U Steel Ring Panel 23" Mounting



Part No.	Description
PCMDS19001BK1	1U Hinged Finger Panel
PCMDS19003BK1	2U Hinged Finger Panel
PCMDS19005BK1	3U Hinged Finger Panel

Cable Manager Panel

- Continuous hinged door with magnetic closure strip
- Four oblong openings (3.5" x 1.56") top & bottom - allowing for cable exit top and/or bottom
- Openings in the rear for cable entry/exit
- Standard 19" rack panel mount
- Available in 3 panel heights
- 2.5" overall depth

Ring Panel

- Five steel rings welded to a folded 19" rack panel
- Rings extend 3.5" from panel front

Metal Finger Panel

- 19" rack mount
- Snap open, hinged door
- Rack mount side has five slotted openings
- Extends 3" (not including snap buttons) from rack rails

Please note this is a very small sample of our available panels. We have panels ranging in rack unit size up-to 18U. Visit www.hammondmfg.com for more details.

General Accessories



Hardware

Door Clamping Hardware	429
Junction Box Padlock Kit	429
Quick Release Junction Box Clamp	429
Quick Release Clamp	429
Lifting or Pull Handles.....	429
Handle Kits for Type 4 and 4X Enclosures	430
Handle Kits for Single Door Type 12 Enclosures	431
Lock Kit for NEMA 1 Enclosures.....	431
Lock Kit for 1418 Type 4 and 12 Enclosures.....	431
Hardware	432
UL/CSA Hardware Kits	433
Ground Lugs.....	434
Quarter Turn Inserts and Keys.....	434
Quarter Turn Assemblies	434
Padlock Adaptors.....	434
Eclipse Junior Wing Knob.....	435
Hole Plugs	435

Panels and Panel Accessories

Panels for 1414, EJ and PJ Series Enclosures	436
Panels for 1418, 1422, 1447, and Wallmount Enclosures	436
Panels for Eclipse Series Enclosures.....	437
Panels for 1420 Series Enclosures.....	437
Panels for 1422 Series Floormount Enclosures	437
Panels for N1A Series Enclosures.....	438
Perforated Inner Panels	439
Swing Panel Kit	440
Terminal Kits for 1414/EJ/PJ Series Enclosures	441
Terminal Kit for 1418 Enclosures.....	442

Outlet Strips

15 Amp Rail Mount, Rear Outlet Outlet Strips.....	443
15 Amp Rail Mount, Front Outlet Outlet Strips	443
15 Amp Heavy Duty Outlet Strips.....	444
20 Amp - Industrial / Commercial Grade Outlet Strips	444
15 Amp - Medical Grade Outlet Strips.....	445
15 Amp Vertical Power Strip	445
20 Amp Vertical Power Strip	446

General Accessories

Remote Receptacle	446
Gland Plates.....	446
Stack Light Kits.....	447
Steel and Stainless Steel Window Kits	449
Frameless Window Kits	449
NEMA 4 Deep Hinged Window Kits.....	450
Drip Shield Kit.....	451
Ground Wire Kit	451
Door Support Guide	451
Fluorescent Light Kit & Accessories	452
LED Light Kit.....	452
Remote Door Switch.....	452
Floor Stand Kit.....	453
Door Stop Kit	453
Pedestal & Base	454
Touch-Up Spray Paint.....	455
Casters	455
Literature Pocket Kit.....	456
Enclosure Stabilizers	456
Panel Lifting Handles.....	456
Neoprene & Urethane Gasket Kit.....	456
Fold Down Shelf	456
Pole Mounting Kit.....	457
PJ Pole Mounting Kit	458

General Accessories

Hardware

General Accessories
Hardware

Heavy Duty Door Clamping Hardware



- Replacement hardware for use on all 1418 and 1447 Series enclosures.
- Formed heavy gauge stainless steel clamp with stainless steel hardware.
- Sold in sets of two.

Part No.	1481HC18
----------	-----------------

Junction Box Padlock Kit



- Field installed kit requires drilling of only 4 holes
- Compatible with 1414 Series junction boxes.
- Only available in 316 Stainless Steel.
- Sold Individually.
- Installation Instructions provided

Part No.	14PLKS16
----------	-----------------

Quick Release Clamp



- Provides fast access to conventional screw clamp type enclosures.
- Installs on clamp bracket in place of screw on 1418, 1418N4, 1447N4, and 1422N4 Series enclosures.
- Entire assembly is stainless steel.
- Set of two.

Part No.	1418QR
----------	---------------

Door Clamping Hardware



- Replacement hardware for use on 1414, 1485, 1486, and 1487 Hammond enclosures.
- Formed heavy gauge stainless steel.
- Set of two

Part No.	1481C14
----------	----------------

Quick Release Junction Box Clamp



- Installs easily on standard clamp bracket allowing for quick access.
- Compatible with 1414 Series junction boxes. Also 1485 Series wireway and 1486 trough.
- Available in plated or stainless steel.
- Sold Individually.

Part No.	Material
14QR	Plated Steel
14QRSS	304 SS
14QRS16	316 SS

Lifting or Pull Handles



- Chrome plated steel accessory handles.
- Two 10-32 screws on 1427L, M, and N; 6-32 screws on 1427P and Q.
- Additional sizes available. Consult factory.

Part No.	Mtg. Centers	Handle Diameter
1427L	7.00	0.375
1427M	5.25	0.375
1427N	3.50	0.375
1427P	2.81	0.250
1427Q	2.25	0.250

Handle Kits for Type 4 and 4X Enclosures



- Durable zinc die cast or stainless steel
- Removable handle stop for clockwise / counter-clockwise operation
- Textured powder coat Black finish on zinc cast handle
- Maintains NEMA rating of enclosure
- Padlock “trigger” design for security requirements
- Optional key lock or defeater available
- Handle can be used on other Hammond enclosures as field installation or installed at factory ... contact Hammond

Part No.	Description	Material	NEMA Rating
MHK1	6" PADLOCKING 1PT. LATCH	Zinc	4
MHK2	6" PADLOCKING 3PT < 60"	Zinc	4
MHK3	6" PADLOCKING 3PT > 60"	Zinc	4
MHKD1	6" PADLOCKING DEFEATER 1PT LATCH	Zinc	4
MHKD2	6" PADLOCKING DEFEATER 3PT < 60"	Zinc	4
MHKD3	6" PADLOCKING DEFEATER 3PT > 60"	Zinc	4
MHKL1	6" KEYED PADLOCKING 1PT LATCH	Zinc	4
MHKL2	6" KEYED PADLOCKING 3PT < 60"	Zinc	4
MHKL3	6" KEYED PADLOCKING 3PT > 60"	Zinc	4
MHK1SS	6" SS PADLOCKING 1PT LATCH	316 SS	4X
MHK2SS	6" SS PADLOCKING 3PT LATCH < 60"	316 SS	4X
MHK3SS	6" SS PADLOCKING 3PT LATCH > 60"	316 SS	4X
MHKD1SS	6" SS PADLOCKING DEFEATER 1PT LATCH	316 SS	4X
MHKD2SS	6" SS PADLOCKING DEFEATER 3PT < 60"	316 SS	4X
MHKD3SS	6" SS PADLOCKING DEFEATER 3PT > 60"	316 SS	4X
MHKL1SS	6" SS KEYED PADLOCKING 1PT LATCH	316 SS	4X
MHKL2SS	6" SS KEYED PADLOCKING 3PT < 60"	316 SS	4X
MHKL3SS	6" SS KEYED PADLOCKING 3PT > 60"	316 SS	4X

General Accessories

Hardware

Latch Kits for Single Door Type 12 Enclosures

- Designed for field installation on most 1418 Series single door enclosures (does not fit 1418 J Series).
- Available with key locking, padlocking, and non-locking handles.
- Single point kits include a handle and latch cam.
- Three point kits include a handle, latch cam, latch rods and adjustable rod guides.
- Latch rod ends have rollers for easier door closing.
- All parts are plated or painted for corrosion resistance.



Non-Locking Handle	Handle Rotation	Locking Handle	Handle Rotation	"Tee" Locking Handle	Description
AHK1	clockwise	AHKL1	counter clockwise	THK1	1 point latch
AHK2	clockwise	AHKL2	counter clockwise	THK2	3 point latch 48" and under
AHK3	clockwise	AHKL3	counter clockwise	THK3	3 point latch 60" and over

Padlocking Handle	Locking & Padlocking Handle	Description
PHK1	PHKL1	1 point latch
PHK2	PHKL2	3 point latch 48" and under
PHK3	PHKL3	3 point latch 60" and over



Lock Kit for NEMA 1 Enclosures



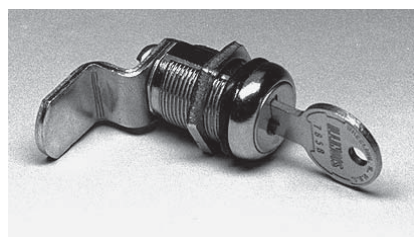
N1JLK



1427LKN1

- Installs in place of the existing slotted latch, or in cutout hole provided.
- Reversible cam position for other applications.
- Maintains NEMA1 rating.

Part No.	Fits Enclosure Series
1427LKN1	1420, N1A
N1JLK	N1J, CHKO, N1WS, N1WF



Lock Kit for 1418 Type 4 and 12 Enclosures

- Designed for installation on most 1418 Series single door enclosures (does not fit 1418 J Series).
- Requires a drilled or punched hole to receive cylinder lock.
- Internal "O" ring provides dust and water tight construction.
- Maintains NEMA rating.

Part No.	1427LKN4
----------	----------

Technical references and CAD downloads available at www.hammondmfg.com

All dimensions in inches unless specified otherwise

General Accessories

Hardware



Part No.	Description
1421	pkg. of 4 screws & 4 washers
142110	pkg. of 10 screws & 10 cup washers
142125	pkg. of 25 screws & 25 cup washers

Nickel plated 10-32 x 0.63" combo slot, Phillips oval countersunk head screws with steel cup washers.



Part No.	Description
1421B	pkg. of 4 screws & 4 washers

Nickel plated 10-32 x 0.5" thumb screws with nylon washers for captivating panels up to 0.09" thick. Head is 0.62" diameter x 0.37" high.



Part No.	Description
1421A	pkg. of 4 screws & 4 washers
1421A10	pkg. of 10 screws & 10 cup washers
1421A25	pkg. of 25 screws & 25 cup washers

Nickel plated 10-32 x 0.63" combo slot, Phillips oval countersunk head screws with plastic cup washers.



Part No.	Description
1421B2	pkg. of 2 screws, nuts & washers

Polished stainless steel 1/4-20 x 0.87" thumb screws with nylon washers and steel nuts for captivating panels up to 0.4" thick. Head is 0.68" diameter x 0.25" high.



Part No.	Description
1421A10B	pkg. of 10 screws
1421A25B	pkg. of 25 screws
1421A100B	pkg. of 100 screws
1421A500B	pkg. of 500 screws

Nickel plated 10-32 x 0.63" combo slot, Phillips oval countersunk head screws.



Part No.	Description
1421D	pkg. of 25 screws
1421D100	pkg. of 100 screws
1421D500	pkg. of 500 screws

Zinc plated 10-32 x 0.5" slotted pan head screws.



Part No.	Description
1421A25W	pkg. of 25 cup washers
1421A100W	pkg. of 100 cup washers
1421A500W	pkg. of 500 cup washers

Black plastic cup washers for countersunk 10-32 screws.



Part No.	Description
1421E25W	pkg. of 25 washers
1421E100W	pkg. of 100 washers
1421E500W	pkg. of 500 washers
1421E1000W	pkg. of 1000 washers

Nickel plated metal cup washers for countersunk 10-32 screws.

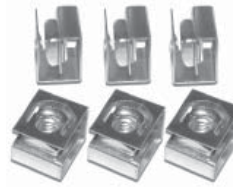
General Accessories

Hardware



Part No.	Description
1421N25	pkg. of 25 clip nuts
1421N100	pkg. of 100 clip nuts
1421N250	pkg. of 500 clip nuts
1421N1000	pkg. of 1000 clip nuts

10-32 clip nuts for all panel rails and most other mounting positions. Has the holding strength of a standard 10-32 nut.



Part No.	Description
1421NP25	pkg. of 25 clip nuts
1421NP100	pkg. of 100 clip nuts
1421NP250	pkg. of 500 clip nuts
1421NP1000	pkg. of 1000 clip nuts

Zinc plated 10-32 clip nuts. 10-32 clip nuts for all panel rails and most other mounting positions. Has the holding strength of a standard 10-32 nut.

General Accessories


Part No.	Description
1421F25	pkg. of 25

Stainless steel 10-32 x 1.25" Phillips oval countersunk head (the extra length is necessary for raised panels).



Part No.	Description
1421K25	pkg. of 25 screws & nuts
1421K100	pkg. of 100 screws & nuts

Zinc plated 1/4-20 x 0.5" slotted round head screws with captive star washer nuts. Supplied with all panel rails and racks.

Hardware


Part No.	Description
1463S	pkg. of 3

3/8-16 spring loaded nuts and 3/8-16 x 0.75" bolts for "C" channels.



Part No.	Description
1421S	pkg. of 4

1/4-20 spring loaded nuts and 1/4-20 x 0.62" round head bolts for "C" channels.



UL/CSA Hardware Kits

- When used as instructed, kits maintain the UL/CSA Type rating of Hammond enclosures which unapproved hardware will not.
- Screws require hex driver making them virtually tamper proof.
- Kit includes 50 stainless steel screws, sealing washers and nuts with one hex driver per kit.
- Offered in 8-32, 10-32 and 1/4-20 at various lengths.

Part No.	Description
1421N4AA50	8-32 x 1/2" Kit
1421N4AB50	8-32 x 1" Kit
1421N4BA50	10-32 x 1/2" Kit
1421N4BB50	10-32 x 1" Kit
1421N4CA50	1/4-20 x 5/8" Kit
1421N4CB50	1/4-20 x 1" Kit

General Accessories

Hardware



Ground Lugs

- Dual L16 type aluminum lug
- 1 1/8" wide x 1 3/16" long
- Provides excellent grounding
- Accepts wire sizes from 1/0 to 14
- Usually used in conjunction with bus bar
- Packaged individually
- Mounting hardware not included (requires drilling of bus bar)

Part No.	DNGL
----------	-------------



Quarter Turn Inserts and Keys

- For Eclipse Enclosures
- Field installable inserts replace standard quarter turn slot.
- Available in 7mm square and triangle formats, as well as slotted.
- Maintains NEMA, UL and CSA 12, 4 and 4X ratings.
- Square and triangle inserts provide extra security since standard screw drivers cannot open.
- Keys sold separately from inserts.

Part No.	Description
2SQI7	7mm square insert, black
2SQK7	7mm square key, fits 2SQI7
2TRI7	7mm triangle insert, black
2TRK7	7mm triangle key, fits 2TRI7
2SLI	Slotted insert, black



Replacement Quarter Turn Assemblies

- Field installable.
- Interchangeable with standard quarter turn latches on Eclipse or Eclipse Junior series.
- Maintains NEMA, UL and CSA ratings as noted.

Part No.	Description	Series used with	Material	NEMA Rating
EQTRL¹	Locking Qtr Turn	Swing Panel/ Frame	Zinc Die/ Chrome	n/a (internal use only)
2QTR	Slotted Qtr Turn	Eclipse	Zinc Die/Black	12, 4,
2SSQTR	Slotted Qtr Turn	Eclipse	Stainless steel	12, 4, 4X
2WKL	Wing knob lock	Eclipse	Zinc Die/Black	12, 4,
2QPL	Padlockable Qtr Turn	Eclipse	Zinc Die/Black	12, 4,
EJQTR	Slotted Qtr Turn	Eclipse Junior	Zinc Die/Black	12, 4
EJSSQTR	Slotted Qtr Turn	Eclipse Junior	Stainless Steel	12, 4, 4X

¹ For use with Swing Frame/Panel.



Eclipse Padlock Adaptor

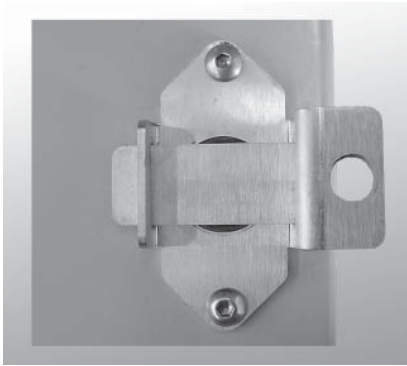
- For use with EN4SD Series Enclosures.
- Padlock adaptor fits directly over the slotted quarter turn preventing access.
- 14 gauge 304 stainless steel.
- Stainless steel mounting hardware provided
- Once installed, the bolts cannot be removed without the door open.
- Easy installed in the field.
- Padlock not included.
- Maintains UL/CSA Type 4, 4X rating.

Part No.	EPA
----------	------------

General Accessories

Hardware

General Accessories



Eclipse Junior Padlock Adaptor

- Padlock adaptor fits directly over the slotted quarter turn preventing access.
- 2mm thick 14 gauge stainless steel.
- Stainless steel mounting hardware provided.
- Once installed, the bolts cannot be removed without the door open.
- Easy installed in the field.
- Padlock not included.
- Maintains UL/CSA Type 4, 4X rating.

Part No. **EJPA**



Eclipse Junior Wing Knob

- For use with EJ Series only.
- Installs in place of the standard quarter turn lock.
- Internal "O" ring provides dust and water tight construction.
- Zinc Diecast/Black.
- Maintains UL/CSA Type 12 rating.

Part No. **EJWKL**



Oil Tight Hole Plugs

- Designed to seal unused pushbutton holes, conduit openings and knockout holes against dust, oil and water.
- Standard Pushbutton size is 30.5mm

Steel Hole Plugs

- Available in 12 sizes.
- Finished in gray.
- Oil resistant gasket.
- Secured with an 8-32 x .55" threaded stud and plated wing nut.

Stainless Steel Hole Plugs

- Available in 8 sizes.
- Finished in brushed natural stainless finish.
- Oil resistant gasket.
- Secured with an 8-32 x .55" threaded stud and plated wing nut.

Hole Plugs - Steel

Part No.	Description	Diameter
HP22	22mm Pushbutton	1.22
HP50	.5" Conduit	1.38
HP75	.75" Conduit	1.63
HPB	Std. Pushbutton	1.75
HP100	1" Conduit	1.88
HP125	1.25" Conduit	2.25
HP150	1.5" Conduit	2.50
HP200	2" Conduit	3.00
HP250	2.5" Conduit	3.50
HP300	3" Conduit	4.14
HP350	3.5" Conduit	4.66
HP400	4" Conduit	5.19

Hole Plugs - Stainless Steel

Part No.	Description	Diameter
HP22SS	22mm Pushbutton	1.22
HP50SS	.5" Conduit	1.38
HP75SS	.75" Conduit	1.63
HPBSS	Std. Pushbutton	1.75
HP100SS	1" Conduit	1.88
HP125SS	1.25" Conduit	2.25
HP150SS	1.5" Conduit	2.50
HP200SS	2" Conduit	3.00

General Accessories Panels

Panels for 1414, EJ and PJ Series Enclosures

- 14 gauge steel panels are finished in white.
- Aluminum panels are 0.080 type 5052 H-32 aluminum, unpainted.
- 14 gauge unpainted galvanized steel.
- Fiberglass panels in NEMA sizes.
- Steel panels and mounting hardware are included with 1414 Series enclosures.
- Galvanized panels and mounting hardware are included with the EJ Series enclosures.
- Mounting hardware is included with PJ Series enclosures, order panel separately.

Steel Part No.	Fiberglass Part No.	Aluminum Part No.	Galv. Steel Part No.	Panel		For Use with 1414 and EJ		For Use with PJ Series	
				Length	Width	Height	Width	Height	Width
14R0503		14A0503	14G0503	4.88	2.88	6	4	—	—
14R0505	14F0505	14A0505	14G0505	4.88	4.88	6	6	7.04	7.04
14R0705	14F0705	14A0705	14G0705	6.75	4.88	8	6	8.94	7.06
14R0707		14A0707	14G0707	6.75	6.88	8	8	—	—
14R0907	14F0907	14A0907	14G0907	8.75	6.88	10	8	11.08	9.20
14R0909		14A0909	14G0909	8.75	8.88	10	10	—	—
14R1105		14A1105	14G1105	10.75	4.88	12	6	—	—
14R1109	14F1109	14A1109	14G1109	10.75	8.88	12	10	13.08	11.20
14R1111		14A1111	14G1111	10.75	10.88	12	12	—	—
14R1307		14A1307	14G1307	12.75	6.88	14	8	—	—
14R1311	14F1311	14A1311	14G1311	12.75	10.88	14	12	15.08	13.20
14R1509		14A1509	14G1509	14.75	8.88	16	10	—	—
14R1513	14F1513	14A1513	14G1513	14.75	12.88	16	14	17.22	15.34
P1868	F1868	A1868	14G1715	16.88	14.88	—	—	19.34	17.34
P2068	F2068	A2068	14G1915	18.44	14.44	—	—	20.94	16.94

Panels for 1418, 1422, 1447, and Wallmount Enclosures

- 12 gauge steel finished in white.
- 12 gauge unpainted galvanized steel panels.
- Larger panels have two or four formed flanges.
- Some larger panels are 10 gauge.
- Panels and mounting hardware are included with 1418, 1447 and 1422 Series enclosures.

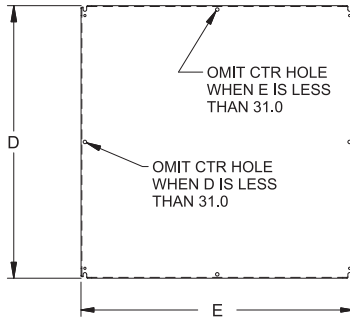
Steel Part No.	Galv. Steel Part No.	Panel		For Use With Enclosure	
		Length	Width	Height	Width
18P0909¹	18G0909¹	9	9	12	12
18P0921¹	18G0921¹	9	21	12	24
18P1309¹	18G1309¹	13	9	16	12
18P1313¹	18G1313¹	13	13	16	16
18P1515¹	18G1515¹	15	15	18	18
18P1709¹	18G1709¹	17	9	20	12
18P1713¹	18G1713¹	17	13	20	16
18P1717¹	18G1717¹	17	17	20	20
18P2109¹	18G2109¹	21	9	24	12
18P2113¹	18G2113¹	21	13	24	16
18P2117²	18G2117²	21	17	24	20
18P2121²	18G2121²	21	21	24	24
18P2709²	18G2709²	27	9	30	12
18P2713²	18G2713²	27	13	30	16
18P2717²	18G2717²	27	17	30	20
18P2721²	18G2721²	27	21	30	24
18P2727³	18G2727³	27	27	30	30
18P3321²	18G3321²	33	21	36	24
18P3327³	18G3327³	33	27	36	30
18P3333³	18G3333³	33	33	36	36
18P3921²	18G3921²	39	21	42	24
18P3927³	18G3927³	39	27	42	30
18P3933³	18G3933³	39	33	42	36
18P4521²	18G4521²	45	21	48	24
18P4527³	18G4527³	45	27	48	30
18P4533³	18G4533³	45	33	48	36
18P5733³	18G5733³	57	33	60	36
18P6927³	18G6927³	69	27	72	30
18P6933³	18G6933³	69	33	72	36

¹ Flat Panel ² 2 Formed Flanges ³ 4 Formed Flanges

General Accessories Panels

Panels for Eclipse Series Enclosures

- Larger than standard NEMA panel used in same sized enclosure.
- 12gauge steel construction.
- Larger sizes have 2 or 4 formed flanges for added strength.
- Slotted corner design for easier mounting.
- Finished in white or unpainted galvanized.



Mild Steel Part No.	Galvanized Part No.	Size		
		D	E	Gauge
EP1212 ¹	EPG1212 ¹	10.2	10.2	12
EP1224 ¹	EPG1224 ¹	10.2	22.2	12
EP1612 ¹	EPG1612 ¹	14.2	10.2	12
EP1616 ¹	EPG1616 ¹	14.2	14.2	12
EP1620 ¹	EPG1620 ¹	14.2	18.2	12
EP2012 ¹	EPG2012 ¹	18.2	10.2	12
EP2016 ¹	EPG2016 ¹	18.2	14.2	12
EP2020 ²	EPG2020 ²	18.2	18.2	12
EP2024 ²	EPG2024 ²	18.2	22.2	12
EP2412 ¹	EPG2412 ¹	22.2	10.2	12
EP2416 ²	EPG2416 ²	22.2	14.2	12
EP2420 ²	EPG2420 ²	22.2	18.2	12
EP2424 ³	EPG2424 ³	22.2	22.2	12
EP2430 ³	EPG2430 ³	22.2	28.2	12
EP2442 ³	EPG2442 ³	22.2	40.2	12
EP2448 ³	EPG2448 ³	22.2	46.2	12
EP3012 ²	EPG3012 ²	28.2	10.2	12
EP3016 ³	EPG3016 ³	28.2	14.2	12
EP3020 ³	EPG3020 ³	28.2	18.2	12
EP3024 ³	EPG3024 ³	28.2	22.2	12
EP3030 ³	EPG3030 ³	28.2	28.2	12

Mild Steel Part No.	Galvanized Part No.	Size		
		D	E	Gauge
EP3036 ³	EPG3036 ³	28.2	34.2	12
EP3042 ³	EPG3042 ³	28.2	40.2	12
EP3048 ³	EPG3048 ³	28.2	46.2	12
EP3060 ³	EPG3060 ³	28.2	58.2	12
EP3624 ³	EPG3624 ³	34.2	22.2	12
EP3630 ³	EPG3630 ³	34.2	28.2	12
EP3636 ³	EPG3636 ³	34.2	34.2	12
EP3642 ³	EPG3642 ³	34.2	40.2	12
EP3648 ³	EPG3648 ³	34.2	46.2	12
EP3660 ³	EPG3660 ³	34.2	58.2	12
EP4224 ³	EPG4224 ³	40.2	22.2	12
EP4230 ³	EPG4230 ³	40.2	28.2	12
EP4236 ³	EPG4236 ³	40.2	34.2	12
EP4824 ³	EPG4824 ³	46.2	22.2	12
EP4830 ³	EPG4830 ³	46.2	28.2	12
EP4836 ³	EPG4836 ³	46.2	34.2	12
EP4848 ³	EPG4848 ³	46.2	46.2	12
EP6036 ³	EPG6036 ³	58.2	34.2	12
EP7230 ³	EPG7230 ³	70.2	28.2	12
EP7236 ³	EPG7236 ³	70.2	34.2	12

¹ Flat Panel ² 2 Formed Flanges ³ 4-Formed Flanges

General Accessories

Panels

Panels for 1420 Series Enclosures

- Panels and mounting hardware are included with 1420 Series enclosures.
- 12 gauge steel finished in white.

Part No.	Panel		For Use With Enclosure	
	Length	Width	Height	Width
20P1410 ¹	14	10	16	12
20P1814 ¹	18	14	20	16
20P1818 ¹	18	18	20	20
20P2218	22	18	24	20
20P2222	22	22	24	24
20P2818	28	18	30	20
20P2822	28	22	30	24
20P3422	34	22	36	24
20P3428	34	28	36	30
20P4022	40	22	42	24
20P4028	40	28	42	30
20P4034	40	34	42	36
20P4634	46	34	48	36

¹ Flat panel

Panels for 1422 Series Floormount Enclosures

- 22P5038 is formed from 12 gauge steel, all others are 10 gauge steel.
- Panels and mounting hardware are included with 1422 Series enclosures.
- Finished in white.

Part No.	Panel		For Use With Enclosure	
	Length	Width	Height	Width
22P5038	50	38	54	42
22P5644	56	44	60	48
22P5656	56	56	60	60
22P6856	68	56	72	60
22P6868	68	68	72	72

Technical references and CAD downloads available at www.hammondmfg.com

All dimensions in inches unless specified otherwise

General Accessories

Panels

Panels for N1A Series Enclosures

- 12 and 14 gauge steel finished in white.
- Panels and mounting hardware are included with N1A Series enclosures.

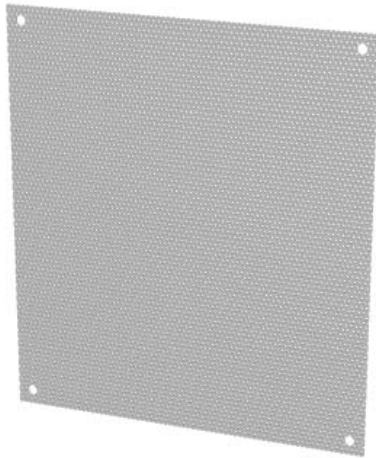
Part No.	Panel		For Use With Enclosure	
	Length	Width	Height	Width
AP1612 ¹	13	10.5	16	12
AP1616 ¹	13	14.5	16	16
AP1620 ¹	13	18.5	16	20
AP2016 ¹	17	14.5	20	16
AP2020 ¹	17	18.5	20	20
AP2024 ¹	17	22.5	20	24
AP2416 ¹	21	14.5	24	16
AP2420 ¹	21	18.5	24	20
AP2424 ¹	21	22.5	24	24

Part No.	Panel		For Use With Enclosure	
	Length	Width	Height	Width
AP3020 ¹	26	18.5	30	20
AP3024 ¹	26	22.5	30	24
AP3030 ¹	26	28.5	30	30
AP3624 ¹	32	22.5	36	24
AP3630 ¹	32	28.5	36	30
AP4224 ¹	38	22.5	42	24
AP4230	38	28.5	45	30
AP4236	38	34.5	42	36
AP4836	44	34.5	48	36

¹ Flat Panel

General Accessories Panels

Perforated Inner Panels



- Made from 16 ga steel
- Accepts self tapping screws eliminating timely measurement, marking and drilling of component mounting holes
- 1/8" dia holes on 1/4" staggered centers
- ANSI 61 gray powder finish

For NEMA 1 (N1A Series)

Part No.	Panel		For Use With Enclosure		# Folds
	Length	Width	Height	Width	
AP1612PP	13	10.5	16	12	0
AP1616PP	13	14.5	16	16	0
AP1620PP	13	18.5	16	20	0
AP2016PP	17	14.5	20	16	0
AP2020PP	17	18.5	20	20	0
AP2024PP	17	22.5	20	24	0
AP2416PP	21	14.5	24	16	0
AP2420PP	21	18.5	24	20	0
AP2424PP	21	22.5	24	24	4
AP3020PP	26	18.5	30	20	4
AP3024PP	26	22.5	30	24	4
AP3030PP	26	28.5	30	30	4
AP3624PP	32	22.5	36	24	4
AP3630PP	32	28.5	36	30	4
AP4224PP	38	22.5	42	24	4

For NEMA 1 (N1J Series)

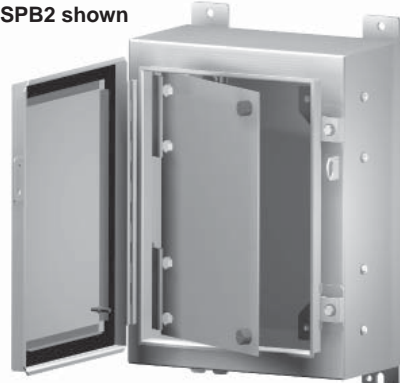
Part No.	Panel		For Use With Enclosure		# Folds
	Length	Width	Height	Width	
N1JP66PP	4.25	4.25	6	6	0
N1JP86PP	6.25	4.25	8	6	0
N1JP88PP	6.25	6.25	8	8	0
N1JP108PP	8.25	6.25	10	8	0
N1JP1010PP	8.25	8.25	10	10	0
N1JP1210PP	10.25	8.25	12	10	0
N1JP1212PP	10.25	10.25	12	12	0
N1JP1412PP	12.25	10.25	14	12	0
N1JP1612PP	14.25	10.25	16	12	0
N1JP2012PP	18.25	10.25	20	12	0

For NEMA 3R (C3R Series)

Part No.	Panel		For Use With Enclosure		# Folds
	Length	Width	Height	Width	
18P1309PP	13	9	16	12	0
18P1313PP	13	13	16	16	0
18P1515PP	15	15	18	18	0
18P1713PP	17	13	20	16	0
18P1717PP	17	17	20	20	0
18P2117PP	21	17	24	20	0
18P2121PP	21	21	24	24	4
18P2721PP	27	21	30	24	4
18P2727PP	27	27	30	30	4
18P3321PP	33	21	36	24	4
18P3327PP	33	27	36	30	4
18P3333PP	33	33	36	36	4

Technical references and CAD downloads available at www.hammondmfg.com

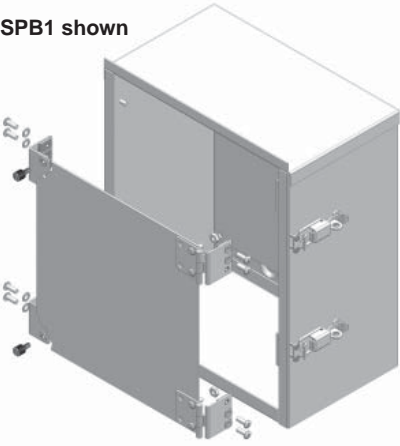
All dimensions in inches unless specified otherwise

SPB2 shown


Swing Panel Kit

- Kits are used as accessory to standard Hammond panels (sold separately)
- Allows panel to be mounted in front part of enclosure
- Hinge permits access behind panel
- Sealing washers preserve approval rating of enclosure

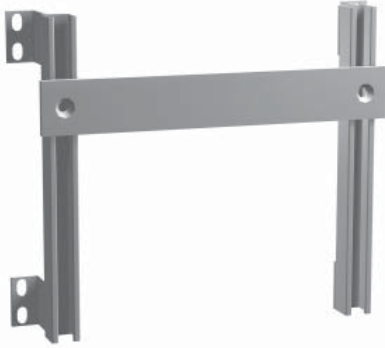
Part #:	SPB1
For use with:	<ul style="list-style-type: none"> • 1414 Series where AxB is 8"x6" or larger • EJ Series where AxB is 8"x6" or larger • C3R-HCLO Series where AxB is 16x12 or smaller • Panel not included
Part #:	SPB2
For use with:	<ul style="list-style-type: none"> • 1418 Wallmount Series, Eclipse Series • C3R-HCLO Series where AxB is 16x16 or larger • C3R-HCR Series where AxB is 16x12 or larger • Panel not included

SPB1 shown


General Accessories

Panel Accessories

General Accessories Panels



Terminal Kits for 1414/EJ/PJ Series Enclosures

- Used to provide convenient mounting for terminal blocks in 1414 Series enclosures and some sizes of "PJ" Series enclosures.
- Finished in white.

Bracket Assembly

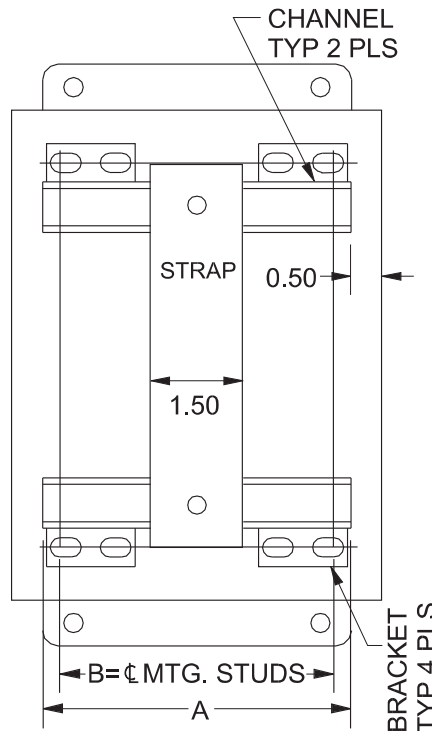
- Each kit consists of two brackets.
- "C" channel construction provides easy alignment of terminal straps.

Terminal Strap

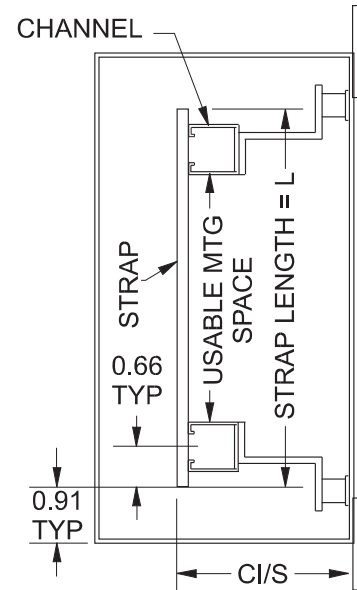
- 1.5" wide x 0.187" thick steel.
- Each strap includes spring locking hardware.
- Countersunk holes in straps provide extra terminal mounting space.

How to Order

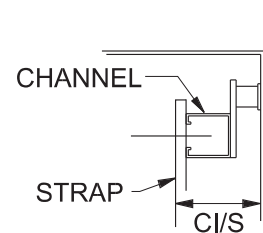
- Each enclosure requires one bracket assembly kit and the required number of straps (Strap Part No. corresponds to enclosure dimension "A" and is mounted parallel to same, Bracket Part No. corresponds to enclosure dimension "B" and is mounted parallel to same).
- Example: For a PJ864L enclosure, order one 14B6 bracket assembly and a minimum of one 14B8 terminal strap kits. Additional terminal strap kits will provide additional mounting space.



Front View



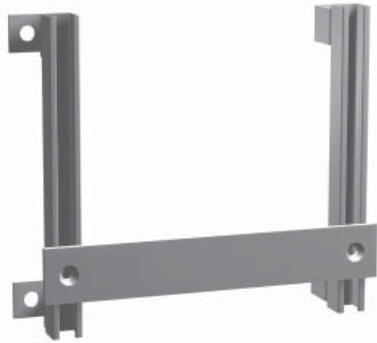
Side View



Detail A

Single Strap Part No.	L= Length	Usable Mounting Space	Bracket (Pair) Part No.	Width of Box	A	B	C	Fits PJ Enclosure
14S8	6.19	4.30	14B6	6	5	4.25	1.55	PJ864... ¹
14S10	8.19	6.30	14B8	8	7	6.25	1.55	PJ1086... ¹
14S12	10.19	8.30	14B10	10	9	8.25	2.79	PJ12106... ¹
14S14	12.19	10.30	14B12	12	11	10.25	2.79	PJ14126... ¹
14S16	14.19	12.30	14B14	14	13	12.25	2.79	PJ16148... ¹

¹ Compatible with all latch types



Terminal Kit for 1418 Enclosures

- Used to provide convenient mounting for terminal blocks, pneumatic controls or small relays in 1418 wallmount enclosures.
- Brackets may be installed horizontally or vertically in an enclosure if the size corresponds to enclosure length or width.
- Finished in white.

Bracket Assembly

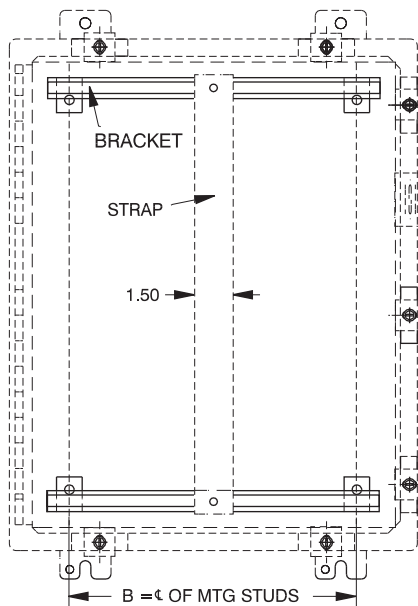
- Each kit consists of two or three brackets per assembly.
- Brackets combined with collar stud length provide 3" minimum clearance from the rear of the enclosure.
- "C" channel construction provides easy alignment of terminal straps.

Terminal Strap

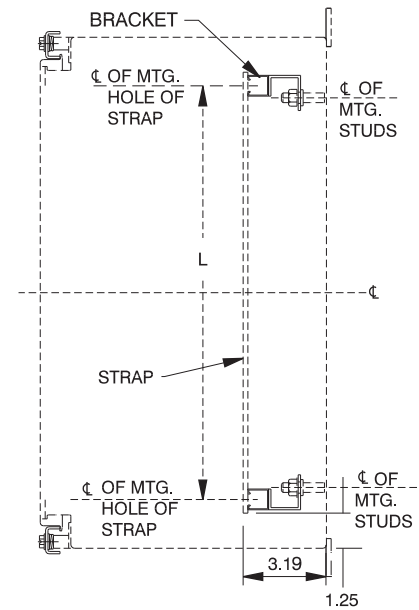
- 1.5" wide x 0.187" thick steel.
- Each strap includes spring locking hardware.
- Countersunk holes in straps provide extra terminal mounting space.

How To Order

- Each enclosure requires one bracket assembly kit and the required number of straps (order separately).
- Determine if strap will be mounted parallel to dimension "A" or "B".
- Choose the part number that corresponds to enclosure dimensions "A" or "B".
- When choosing a bracket assembly to be parallel to dimension "B" in an enclosure of 24", 30" or 36" width, determine if a two or three bracket assembly is required. When enclosures are 48" or greater on "A" dimension, 6 collar studs are used.
- Choose strap kit to correspond to the other enclosure dimensions.
- Order the number of kits equal to the number of straps required.



Front View



Side View

Bracket Assembly

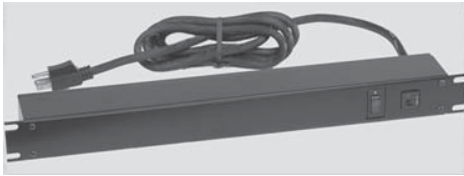
Part No.	Number of Brackets	Length	B	Parallel Enclosure Dim
18B212	2	8.5	7.25	12
18B216	2	12.5	11.25	16
18B220	2	16.5	15.25	20
18B224	2	20.5	19.25	24
18B324	3	20.5	19.25	24
18B230	2	26.5	25.25	30
18B330	3	26.5	25.25	30
18B236	2	32.5	31.25	36
18B336	3	32.5	31.25	36

Strap

Part No.	Length	Usable Mounting Space (L)
18S12	9.5	7.6
18S16	13.5	11.6
18S20	17.5	15.6
18S24	21.5	19.6
18S30	27.5	25.6
18S36	33.5	31.6
18S42	39.5	37.6
18S48	45.5	43.6
18S60	57.5	55.6
18S72	69.5	67.6

General Accessories

Outlet Strips



Rail Mount, Rear Outlet Strips

- Designed for rear access with a lighted, rocker type ON-OFF switch for master power shut-off/on where noted in chart.
- Heavy 14 gauge wire cord - 14/3 SJTW for extreme temperature ranges and integral molded plug.
- Contains 6 or 8 receptacles, a 15 Amp breaker and is rated for 15 Amps @ 125V.
- Steel case, U-ground cord, plug, and receptacles.
- Outlet strip is 19" wide, 3" deep and requires 1 unit (1.75") of panel height to mount.
- UL component recognized. Standard UL1363 - file # E166039
- CSA certified Standard C22.2 (No. 21-95 and No. 42-99)
- Also available in ANSI61 Gray (remove "BK" from end of part number)

Part No.	Color	Cord Length	On/Off Switch	Type	No. of Outlets
1583H6A1BK	Black	6'	Yes	Straight	6
1583H6B1BK	Black	15'	Yes	Straight	6
1583H8A1BK	Black	6'	Yes	Straight	8
1583H8B1BK	Black	15'	Yes	Straight	8
1583T6A1BK	Black	6'	No	Straight	6
1583T6B1BK	Black	15'	No	Straight	6
1583T8A1BK	Black	6'	No	Straight	8
1583T8B1BK	Black	15'	No	Straight	8

General Accessories



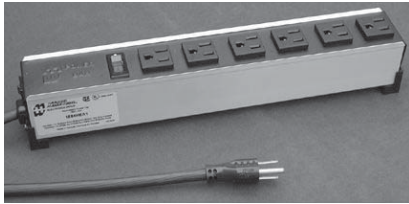
Rail Mount, Front Outlet Strips

- Designed for front access with a lighted, rocker type ON-OFF switch for master power shut-off/on where noted in chart.
- Heavy 14 gauge wire cord - 14/3 SJTW for extreme temperature ranges and integral molded plug.
- Contains 6 or 8 receptacles, a 15 Amp breaker and is rated for 15 Amps @ 125V.
- Steel case, U-ground cord, plug, and receptacles.
- Outlet strip is 19" wide, 3" deep and requires 1 unit (1.75") of panel height to mount.
- UL component recognized. Standard UL1363 - file # E166039
- CSA certified Standard C22.2 (No. 21-95 and No. 42-99)
- Also available in ANSI61 Gray (remove "BK" from end of part number)

Part No.	Color	Cord Length	On/Off Switch	Type	No. of Outlets
1582H6A1BK	Black	6'	Yes	Straight	6
1582H6B1BK	Black	15'	Yes	Straight	6
1582H8A1BK	Black	6'	Yes	Straight	8
1582H8B1BK	Black	15'	Yes	Straight	8
1582T6A1BK	Black	6'	No	Straight	6
1582T6B1BK	Black	15'	No	Straight	6
1582T8A1BK	Black	6'	No	Straight	8
1582T8B1BK	Black	15'	No	Straight	8

Outlet Strips

General Accessories Outlet Strips



Heavy Duty Outlet Strips

- Built to meet the rugged requirements of commercial and industrial use.
- All metal housing - tough extruded aluminum case with a matte black steel cover and heavy duty duplex receptacles.
- Heavy 14 gauge wire cord - 14/3 SJTW for extreme temperature ranges and integral molded plug.
- UL Listed Standard UL1363 - file # E166039
- CSA certified Standards C22.2 (No. 21-95 and 42-99)
- Plug types available are NEMA 5-15P straight blade (NEMA L5-15P locking plug also available - consult factory)
- Separate mounting feet provide for work station mounting if desired.
- Contains 15 amp, 125 volt re-settable circuit breakers to prevent accidental line overload.
- Available in 3 lengths with 4, 6, or 8 receptacles.
- Features a lighted, rocker type ON-OFF switch for master power shut-off/on where noted in chart.

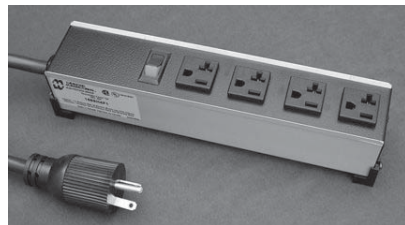


Rack Mounting Kit

- Contains hardware for system and Amhal strut mounting.

Part No. **1584MK1**

Part No.	No. of Outlets	Length (Inches)	On/Off Switch	Cord Length	Plug Type
1584H4A1	4	11.0	Yes	6'	Straight
1584H4B1	4	11.0	Yes	15'	Straight
1584H6A1	6	14.0	Yes	6'	Straight
1584H6B1	6	14.0	Yes	15'	Straight
1584H8A1	8	17.0	Yes	6'	Straight
1584H8B1	8	17.0	Yes	15'	Straight
1584T4A1	4	11.0	No	6'	Straight
1584T4B1	4	11.0	No	15'	Straight
1584T6A1	6	14.0	No	6'	Straight
1584T6B1	6	14.0	No	15'	Straight
1584T8A1	8	17	No	6'	Straight
1584T8B1	8	17	No	15'	Straight



20 Amp - Industrial / Commercial Grade Outlet Strips

- Built to meet the rugged requirements of industrial and commercial use.
- All metal housing – tough extruded aluminum case with black powder-coated steel cover.
- Heavy-duty black receptacles rated for 20A, 125VAC service (NEMA 5-20R, Single T-Slot).
- Heavy-duty power cord – 12/3 SJTW for extreme temperature ranges.
- Integral molded plug with straight blade (NEMA 5-20P) or locking (NEMA L5-20P) configuration.
- Includes 20A, 125VAC circuit breaker to prevent accidental line overload.
- Mounting feet (with keyhole slots) allow temporary work station mounting if desired.
- CSA certified, Standards C22.2 (No. 21-95 and No. 42-99)
- UL listed, Standard UL1363 - file # E166039



Part No.	Outlets	Cord Length	Plug Type	Dimensions (inches)
1589H4C1	4	6'	Locking	11 x 2 x 2
1589H4D1	4	15'	Locking	11 x 2 x 2
1589H4F1	4	6'	Straight	11 x 2 x 2
1589H4G1	4	15'	Straight	11 x 2 x 2
1589H6C1	6	6'	Locking	14 x 2 x 2
1589H6D1	6	15'	Locking	14 x 2 x 2

Part No.	Outlets	Cord Length	Plug Type	Dimensions (inches)
1589H6F1	6	6'	Straight	14 x 2 x 2
1589H6G1	6	15'	Straight	14 x 2 x 2
1589H8C1	8	6'	Locking	17 x 2 x 2
1589H8D1	8	15'	Locking	17 x 2 x 2
1589H8F1	8	6'	Straight	17 x 2 x 2
1589H8G1	8	15'	Straight	17 x 2 x 2

General Accessories

Outlet Strips

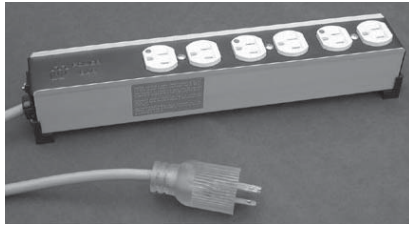
Technical references and CAD downloads available at www.hammondmfg.com

All dimensions in inches unless specified otherwise

Quality Products. Service Excellence.

General Accessories

Outlet Strips



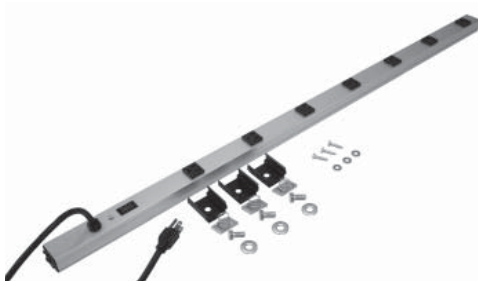
15 Amp - Medical Grade Outlet Strips

- Featuring a sturdy aluminum extruded case with a distinctive black powder paint coated steel cover.
- Designed to meet the special requirements for institutional and chronic care use.
- With "Hospital Grade" white receptacles, line cord and plug.
- Exceeds NEMA requirements for low leakage ground return and for withstanding impact or continuous physical shock without loss of grounding path continuity when plugged into properly grounded source receptacles.
- An additional grounding stud is provided on the case for any further external grounding requirements.
- Heavy duty 14 gauge cord - 14/3 SJT for extreme temperature ranges and integral clear molded "Hospital Grade" plug.
- Complete with a 15 amp, 125 volt resettable circuit breaker to prevent accidental line overload.
- Mounting feet (with keyhole slots) allow temporary work station mounting if desired.
- CSA certified, Standards C22.2 (No. 21-95 and No. 42-99), CSA Cord Sets No. 8 (Hospital Grade Powerbars).
- TUVus certified to UL60601-1 (medical grade) and UL 1363 (relocatable power taps).

Part No.	Outlets	Cord Length	Dimensions (inches)
1584T4DH6	4	6'	11 x 2 x 2
1584T4DH	4	12'	11 x 2 x 2
1584T6DH6	6	6'	14 x 2 x 2
1584T6DH	6	12'	14 x 2 x 2
1584T8DH6	8	6'	17 x 2 x 2
1584T8DH	8	12'	17 x 2 x 2

General Accessories

Outlet Strips



15 AMP Vertical Outlet Strip

- 1 5/8" X 1 3/8" aluminum profiles.
- Heavy 14 gauge wire cord - 14/3 SJTW for extreme temperature ranges and integral molded plug.
- UL Listed Standard UL1363 - file # E166039
- CSA certified Standards C22.2 (No. 21-95 and 42-99)
- Rated for 15 Amps @ 120V.
- Mounting clips are included for easy mounting to Amhal struts in any location. Replacement clips are available.
- Complete with 6 or 15 foot cord.
- Solid aluminum extrusion.
- 6 to 12 outlet units available

Extra Mounting Clips

Part No.	1585CLIP
----------	----------

Part No.	No. of Outlets	Length (Inches)	On/Off Switch	Cord Length	Cord Type
15851H6A1	6	18	Yes	6'	Straight
15851H6B1	6	18	Yes	15'	Straight
15854H7A1	7	42	Yes	6'	Straight
15854H7B1	7	42	Yes	15'	Straight
1585H8A1	8	48	Yes	6'	Straight
1585H8B1	8	48	Yes	15'	Straight
1586H10A1	10	60	Yes	6'	Straight
1586H10B1	10	60	Yes	15'	Straight
1587H10A1	10	70	Yes	6'	Straight
1587H10B1	10	70	Yes	15'	Straight
1588H12A1	12	77	Yes	6'	Straight
1588H12B1	12	77	Yes	15'	Straight
15851T6A1	6	18	No	6'	Straight

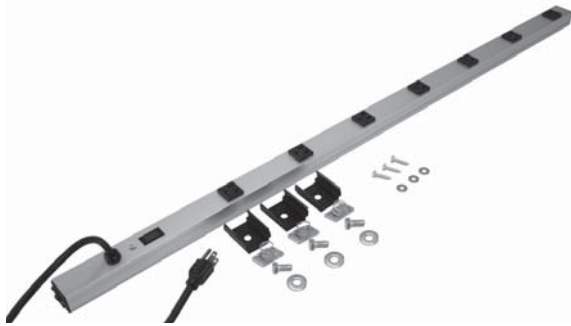
Part No.	No. of Outlets	Length (Inches)	On/Off Switch	Cord Length	Cord Type
15851T6B1	6	18	No	15'	Straight
15853T6A1	6	36	No	6'	Straight
15853T6B1	6	36	No	15'	Straight
15854T7A1	7	42	No	6'	Straight
15854T7B1	7	42	No	15'	Straight
1585T8A1	8	48	No	6'	Straight
1585T8B1	8	48	No	15'	Straight
1586T10A1	10	60	No	6'	Straight
1586T10B1	10	60	No	15'	Straight
1587T10A1	10	70	No	6'	Straight
1587T10B1	10	70	No	15'	Straight
1588T12A1	12	77	No	6'	Straight
1588T12B1	12	77	No	15'	Straight

Technical references and CAD downloads available at www.hammondmfg.com

All dimensions in inches unless specified otherwise

General Accessories

General Accessories



Extra Mounting Clips

Part No. **1585CLIP**

20 AMP Vertical Outlet Strip

- Construction same as 1585 series with:
 - 12 gauge wire
 - Rated for 20 AMP @ 125V
 - Plug types available are Nema L5-20P locking or Nema 5-20P straight blade.

Part No.	No. of Outlets	Length (Inches) ¹	Switch	Cord Length	Cord Type
1589T36C1	6	36"	No	6'	Locking
1589T36F1	6	42"	No	6'	Straight
1589T48C1	8	48"	No	6'	Locking
1589T48F1	8	48"	No	6'	Straight
1589T60C1	10	60"	No	6'	Locking
1589T60F1	10	60"	No	6'	Straight
1589T70C1	10	70"	No	6'	Locking
1589T70F1	10	70"	No	6'	Straight
1589T77C1	12	77"	No	6'	Locking
1589T77F1	12	77"	No	6'	Straight



Remote Receptacle

- 125V/15A max. receptacle
- mounts to 35mm DIN rail (not included)
- 3.6"H x 2.4"W x 1.9"D
- CE, UL/cUL component recognized

Part No. **SSD03504001**



Gland Plates

- 14 gauge mild steel gland plate allows for easy cable entry into enclosure
- Maintains NEMA 12, 4 rating
- Hardware and cutout template included
- Available in ANSI 61 Gray and RAL 7035 Light Gray



Part No.	Finish	Height	Width	Fits Opening		Ship Wt. lbs.
				Height	Width	
GP063LG	RAL 7035 Light Gray	6.31	2.75	5.06	1.5	3
GP134LG	RAL 7035 Light Gray	13.00	3.56	11.75	2.31	3
GP136LG	RAL 7035 Light Gray	13.38	5.88	12.13	4.63	4
GP216LG	RAL 7035 Light Gray	20.88	5.88	19.63	4.63	5
GP063GY	ANSI 61 Gray	6.31	2.75	5.06	1.5	3
GP134GY	ANSI 61 Gray	13.00	3.56	11.75	2.31	3
GP136GY	ANSI 61 Gray	13.38	5.88	12.13	4.63	4
GP216GY	ANSI 61 Gray	20.88	5.88	19.63	4.63	5

General Accessories

Light Kits

General Accessories

Light Kits



Stack Lights

- Modular design for all indoor and outdoor applications.
- Provides warning signals and displays machine status.
- High level of protection against electric shock with IP 54 rating.
- Separate components for easy ordering to suit every installation application.

Base and Tubes

Part No.	Description	L1	L2	Ship Wt lbs
PBR50BC	Base and End Module	-	-	5
PBR50S100	Tubular Stand/Plinth	88mm(3.46in)	-	5
PBR50S250	Tubular Stand/Plinth	238mm (9.37in)	-	5
PBR50T100	Threaded tubular stand/bracket	-	78mm (3.07in)	5
PBR50T250	Threaded tubular stand/bracket	-	228mm (8.98in)	5
PBR50T400	Threaded tubular stand/bracket	-	378mm (14.13in)	5

Modules

Part No.	Description	Ship Wt lbs
PBR50CLCL	Continuous beam module, transparent	1
PBR50CLYE	Continuous beam module, yellow	1
PBR50CLAM	Continuous beam module, amber	1
PBR50CLRE	Continuous beam module, red	1
PBR50CLGR	Continuous beam module, green	1
PBR50CLBL	Continuous beam module, blue	1
PBR50BLYE24V	Blinking module, yellow	1
PBR50BLRE24V	Blinking module, red	1
PBR50BLGR24V	Blinking module, green	1

Gaskets, Bulbs and Accessories

Part No.	Description	Ship Wt lbs
PBR50MG	Replacement gasket for light module + base module	1
PBR50TG	Replacement gasket for mounting tube with plinth	1
PBR50BG	Replacement gasket for direct mounting IP 65	1
PBR50LED24	LED light bulb 24V/BA15d	1
PBR50LED115	LED light bulb 115V/BA15d	1
PBR50L24	Light bulb 24V DC/BA15d 7W	1
PBR50L115	Light bulb 115V DC/BA15d 7W	1
PBR50LS	Bulb Remover / Installer	1
PBR50EXT	Stacklight Extension	2

How to Order:

Tubular Stand/Plinth	
Sample Order	Part Number
1x base & end module	PBR50BC
1 x stand with plinth 250mm	PBR50S250
1x continuous beam module, red	PBRCLRE
1x continuous beam module yellow	PBR50CLYE
1x continuous beam module green	PBR50CLGR
3x light bulb 24V/7W	PBR50L24

Direct Mounting	
Sample Order	Part Number
1x base & end module	PBR50BC
1 x continuous beam module, green	PBR50CLGR
1x continuous beam module, red	PBR50CLRE
1x continuous beam module clear	PBR50CLCL
1x continuous beam module amber	PBR50CLAM
1x continuous beam module blue	PBR50CLBL
5x light bulb 24V/7W	PBR50L24

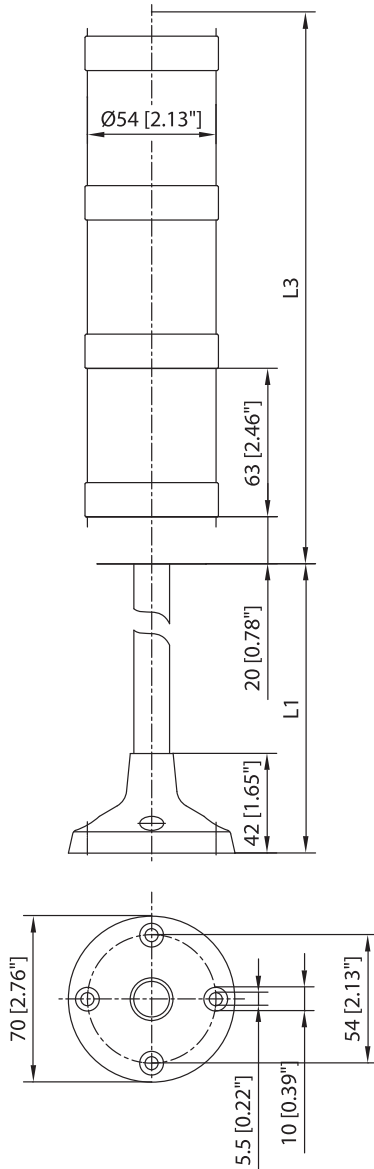
Threaded Tubular Stand/Bracket	
Sample Order	Part Number
1x base & end module	PBR50BC
1 x continuous beam module, red	PBR50CLRE
1x continuous beam module, clear	PBR50CLCL
1x continuous beam module, amber	PBR50CLAM
1x threaded tubular stand with bracket	PBR50T250
3x light bulb 24V/7W	PBR50L24

Technical references and CAD downloads available at www.hammondmfg.com

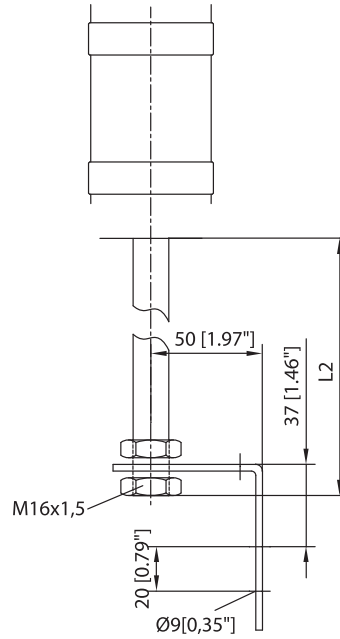
All dimensions in inches unless specified otherwise

General Accessories

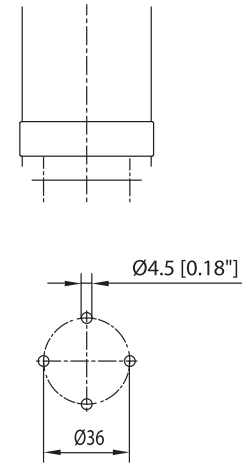
Light Kits



Tubular Stand/Plinth



Threaded Tubular Stand/Bracket



Direct Mounting

Part No.	L3
Single module	107mm (4.21in)
2 modules	170mm (6.69in)
3 modules	233mm (9.17in)
4 modules	296mm (11.65in)
5 modules	359mm (14.13in)

Other Data

Protection Rating: IP 54

Operating Temperature: -25° C to + 45° C

Relative Humidity: 90%

Installation:

- Vertical or horizontal
- Mounting stand, tube mounting or direct mounting

Accessories:

- Gasket for light module + basic module IP 65
- Gasket for tubular stand on plinth IP 65
- Gasket for direct mounting IP 65

Weight of Plinth:

- Wall bracket with hood
- Stand mounting (w/o module): approx. 220g
- Tube mounting (w/o module): approx. 200g
- Direct mounting (w/o module): approx. 180g

Materials: Modular: polycarbonate, Plinth: ABS, Tube: stainless steel

Modular Data:	Continuous Beam	Blinking Light
Module Colors:	yellow, red, green, amber, blue, transparent	yellow, red, green
Module Stages:	Max. 5	Max. 5
Angle of Beam:	360°	360°
Percentage Duty Cycle:	100%	100%
Rated Power, max:	7W	7W
Rated Power with 5 stages:	5W	5W
Lamp Socket:	BA 15 d	BA 15 d
Service life of light bulb/tube:	approx. 1500h	approx 1500h
AC Voltage Rating:	230 V, 50/60 Hz, -15% to +10%	230 V, 50/60 Hz, -15% to +10%
Current Capacity Rating:	0.035 A	0.08 A
DC Voltage Rating:	24 V, -15%to + 20%	24 V, -15%to + 20%
Current Capacity Rating:	0.3 A	0.25 A

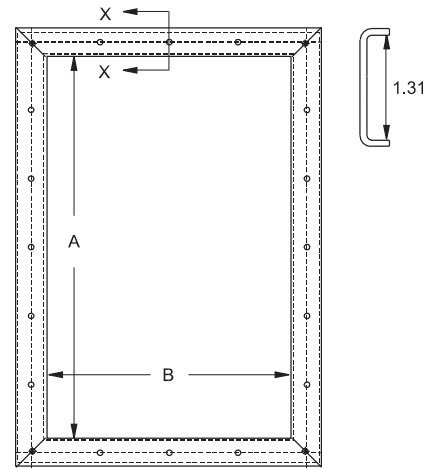
General Accessories

Window Kits

Steel and Stainless Steel Window Kits



- Designed to maintain environmental protection level of Type 4, 4X (for stainless steel) as noted
- Window is 0.25" thick, UV resistant Polycarbonate.
- Frame is heavy gauge steel, or 304 stainless steel with integral weld studs and compression clips.
- Oil resistant neoprene gasket ensures a watertight seal.
- Finished in gray or natural brushed stainless steel.



Part No.	Material	Window Dimensions		Recommended Cut-Out Size	
		A	B		
1481WN40503 ¹	Steel	5	3.0	6.69	4.69
1481WN40905 ¹	Steel	9	5.5	10.69	7.19
1481WN41303 ¹	Steel	13	3.0	14.69	4.69
1481WN41308 ¹	Steel	13	8.0	14.69	9.69
1481WN41705 ¹	Steel	17	5.5	18.69	7.19
1481WN41711 ¹	Steel	17	11.0	18.69	12.69
1481WN42315 ¹	Steel	23	15.0	24.69	16.69
1481WN42919 ¹	Steel	29	19.0	30.69	20.69
1481WN43523 ¹	Steel	35	23.0	36.69	24.69
1481WN4SS0503 ²	Stainless Steel	5	3.0	6.69	4.69
1481WN4SS0905 ²	Stainless Steel	9	5.5	10.69	7.19
1481WN4SS1308 ²	Stainless Steel	13	8.0	14.69	9.69
1481WN4SS1711 ²	Stainless Steel	17	11.0	18.69	12.69
1481WN4SS2315 ²	Stainless Steel	23	15.0	24.69	16.69
1481WN4SS2919 ²	Stainless Steel	29	19.0	30.69	20.69

¹ UL/ CSA Type 12 and Type 4

² UL/ CSA Type 12, Type 4 and Type 4x



Frameless Window Kits



- Designed for indoor use on Type 12 and 13 enclosures.
- Scratch resistant polycarbonate window is 0.25 inches thick.
- Double sided tape is on the window for easy installation.
- Mounting hardware and template are included.

Part No.	Window Dimensions		Maximum Cut-Out Size	
	A	B		
1481WFL52	5.50	3.00	4.50	2.00
1481WFL133	13.88	3.88	12.88	2.88
1481WFL96	9.62	7.19	8.62	6.19



Technical references and CAD downloads available at www.hammondmfg.com

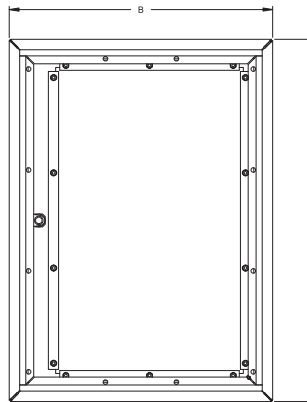
All dimensions in inches unless specified otherwise

General Accessories Window Kits

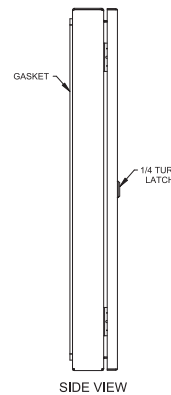


NEMA 4 Deep Hinged Window Kits

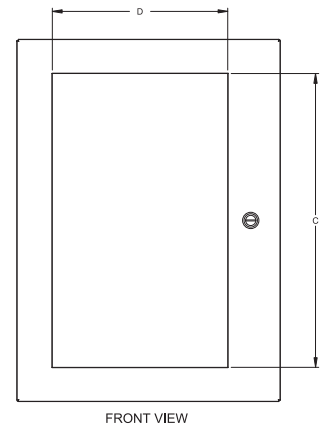
- Extra deep kits are designed to provide protection and easy access to components and equipment installed inside an enclosure.
- Maintain environmental protection level of Type 4, 4X and 12 as noted
- Frame is 14 gauge mild steel or 316L stainless steel.
- Quarter turn latch for easy access.
- 2.5 inches of extra usable depth
- Oil resistant neoprene gasket ensures a watertight seal.
- Can be either left or right hand hinged.
- Window is 0.25" thick, UV Resistant Polycarbonate.
- Conveniently sized to allow mounting on the door of any Hammond Wallmount Series enclosure, or in any other Hammond enclosure with a suitable mounting surface.
- Mounting hardware and template are included.



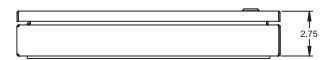
BACK VIEW



SIDE VIEW



FRONT VIEW



BOTTOM VIEW

Part No.	Material	Overall Dimensions		Viewing Area			Latch Qty	Recommended Cut-Out Size	
		A	B	C	D	E			
1481WDH1418 ¹	Steel	12.19	14.56	8.00	9.17	2.75	1	9.19	11.56
1481WDH1612 ¹	Steel	14.19	8.14	10.00	2.75	2.75	1	11.19	5.14
1481WDH2016 ¹	Steel	18.19	12.14	14.00	6.75	2.75	1	15.19	9.14
1481WDH2416 ¹	Steel	22.19	12.14	18.00	6.75	2.75	1	19.19	9.14
1481WDH2420 ¹	Steel	22.19	16.14	18.00	10.75	2.75	1	19.19	13.14
1481WDH2430 ¹	Steel	22.19	26.14	18.00	20.75	2.75	1	19.19	23.14
1481WDH3024 ¹	Steel	28.19	20.14	24.00	14.75	2.75	2	25.19	17.14
1481WDH3624 ¹	Steel	34.19	20.14	30.00	14.75	2.75	2	31.19	17.14
1481WSSDH1418 ²	Stainless Steel	12.19	14.56	8.00	9.17	2.75	1	9.19	11.56
1481WSSDH1612 ²	Stainless Steel	14.19	8.14	10.00	2.75	2.75	1	11.19	5.14
1481WSSDH2016 ²	Stainless Steel	18.19	12.14	14.00	6.75	2.75	1	15.19	9.14
1481WSSDH2416 ²	Stainless Steel	22.19	12.14	18.00	6.75	2.75	1	19.19	9.14
1481WSSDH2420 ²	Stainless Steel	22.19	16.14	18.00	10.75	2.75	1	19.19	13.14
1481WSSDH2430 ²	Stainless Steel	22.19	26.14	18.00	20.75	2.75	1	19.19	23.14
1481WSSDH3024 ²	Stainless Steel	28.19	20.14	24.00	14.75	2.75	2	25.19	17.14
1481WSSDH3624 ²	Stainless Steel	34.19	20.14	30.00	14.75	2.75	2	31.19	17.14

¹ UL/ CSA Type 12 and Type 4

² UL/ CSA Type 12, Type 4 and Type 4x

Technical references and CAD downloads available at www.hammondmfg.com

All dimensions in inches unless specified otherwise

Quality Products. Service Excellence.

General Accessories

General Accessories

General Accessories



Installed

Drip Shield Kit

- Easily installed on Type 12, 4 and 4X wall-mount enclosures using stainless steel bolts and sealing washers (included).
- Designed not to interfere with door clamps.
- Protects door from dripping water and settling dust.
- Constructed in 14 gauge mild steel (painted) or 316 stainless steel
- Maintains enclosure rating



Painted Steel (Gray) Part Number	Painted Steel (Lt. Gray) Part Number	Stainless Steel Part Number	Fits Enclosure Width (inches)
DK12GY	DK12LG	DK12S16	12.00
DK16GY	DK16LG	DK16S16	16.00
DK20GY	DK20LG	DK20S16	20.00
DK24GY	DK24LG	DK24S16	24.00
DK30GY	DK30LG	DK30S16	30.00
DK36GY	DK36LG	DK36S16	36.00
DK42GY	DK42LG	-	42.00
DK48GY	DK48LG	-	48.00
DK60GY	DK60LG	-	60.00
DK72GY	-	-	72.00



Ground Wire Kits

- Stranded #10 gauge copper wire with ring terminal .256 dia hole
- Includes mouting nuts both 1/4 20 and 10-32 ground studs
- Ground symbols (2 for each jumper)

Part No.	Description
GRDKIT01	Quantity 2
GRDKIT02	Quantity 6



Door Support Guide

- Designed for use when heavy loads or uneven mounting surfaces changes door alignment
- Field installable kit
- Can be used on Hammond Eclipse and 1418 Series wall mount enclosures, all freestanding and floor mount enclosures - both painted and stainless steel
- Kit includes all necessary hardware and installation instructions
- Sealing washers included maintain enclosure integrity



Part No.	DSG1
----------	------

General Accessories

Light Kits



Magnet mount not included - must be ordered separately.



Fluorescent Light Kit & Accessories

- Light kits are offered in 18", 24" and 48" widths.
- CSA and UL component recognized.
- Operating voltage 115 AC 60Hz
- Features a manually operated switch, 115V convenience outlet, durable plastic lens, and 6 foot power cord (without plug).
- Can mount into light mounting channel, bolt through enclosure or by using magnet strip (available separately - see chart below.)
- Magnet mount can be used with mild steel enclosures only.
- Remote door switch available separately for automatic activation.
- Finished in white.
- Use standard 18", 24" or 48" T8 fluorescent bulb (not included)

Part No.	Description
FLK18T8¹	18" Fluorescent Light Kit
FLK24T8¹	24" Fluorescent Light Kit
FLK48T8¹	48" Fluorescent Light Kit
FLK18MM	Magnet mount for 18" and 24" kit
FLK48MM	Magnet mount for 48" light kit

¹ T8 fluorescent bulb not included



LED light kits

- Available in 9", 17.5", 26", 34.5" and 38.5" lengths
- Operating voltage 100/240V AC 50/60Hz Operating temperature -20 C to + 50 C
- Long lamp life 60,000 hours in warm white color temperature
- No remote power supplies as unit comes with its own integral LED drivers
- Hard wired via multiple knockouts in light weight extruded Aluminum frame finished white with manual operated switch
- Hinged glass diffuser allows easy access to replaceable LED module
- Remote door switch available separately for automatic activation

Part No.	Description	Number LED	
		Modules	Energy Use
FLK5LED	9" LED Light Kit	1.00	4.4 w
FLK7LED	17.5" LED Light Kit	2.00	7.2 w
FLK10LED	26" LED Light Kit	3.00	9.8 w
FLK15LED	34.5" LED Light Kit	4.00	15.0 w
FLK17LED	38.5" LED Light Kit	5.00	17.0 w



FDS1

FLKDS



Remote Door Switch

- Permits convenient door activated on-off function of lights & air conditioners.
- Can be wired normally open or normally closed.
- 115/230 V AC

Part No.	For use with
FLKDS	1418, 1422, 1447, 2UD, UHD
FDS1	Eclipse, HME

General Accessories

General Accessories

Floor Stand Kit

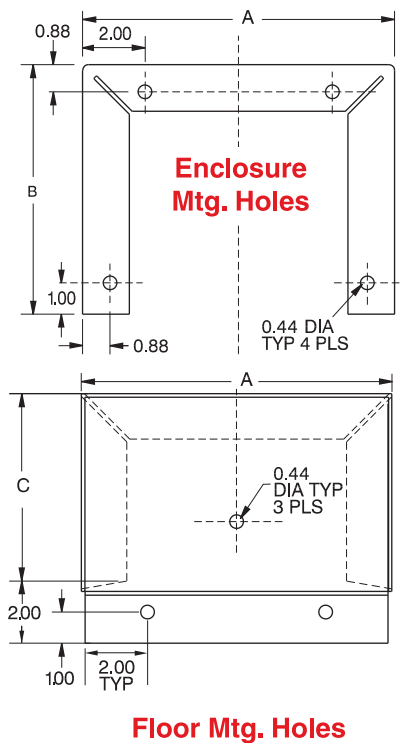


- Kit includes two mounting feet and hardware kit.
- Pre-punched mounting feet may be used as a template to drill holes on bottom of enclosure.
- Finished in gray or natural brushed stainless steel.



Steel Part No.	Stainless Steel Part No.	Foot Height	Enclosure Depth	Dimensions		
				A	B	C
1481FA8K		6	8	8	6	4
1481FA10K		6	10	10	8	6
1481FA12K		6	12	12	8	6
1481FA16K		6	16	16	10	8
1481FA18K		6	18	18	8	6
1481FA20K		6	20	20	10	8
1481FC6K		12	6	6	5	4
1481FC8K	1481FC8KSS	12	8	8	6	4
1481FC10K	1481FC10KSS	12	10	10	8	6
1481FC12K	1481FC12KSS	12	12	12	8	6
1481FC16K	1481FC16KSS	12	16	16	10	8
1481FC18K		12	18	18	8	6
1481FC20K		12	20	20	10	8
1481FC24K		12	24	24	10	8
1481FE6K		15	6	6	5	4
1481FE8K		15	8	8	6	4
1481FE10K		15	10	10	8	6
1481FE12K		15	12	12	8	6
1481FE16K		15	16	16	10	8
1481FE18K		15	18	18	10	8
1481FE24K		15	24	24	10	8
1481FG6K		18	6	6	5	4
1481FG8K		18	8	8	8	6
1481FG10K		18	10	10	8	6
1481FG12K		18	12	12	8	6
1481FG16K		18	16	16	10	8
1481FK6K		24	6	6	5	4
1481FK8K		24	8	8	8	4
1481FK10K	1481FK10KSS	24	10	10	8	4
1481FK12K	1481FK12KSS	24	12	12	10	6
1481FK16K		24	16	16	12	8

General Accessories



Door Stop Kit

- Provides for door opening in fixed position as required.
- Prevents door swing that can occur in field maintenance situations.
- This door stop kit maintains NEMA 4x, 4, 3R and 12 ratings when installed correctly using the hardware and directions provided.

Part No. **DSTOPK**

General Accessories

General Accessories



Pedestal Column



Pedestal Base

Pedestal

- Used for floor mounting for many types of enclosures, consolets or pushbutton boxes
- Provides wiring feature through the column.
- Meets NEMA Type 12 and 13 requirements.
- Finished in gray.

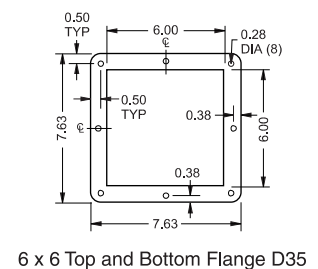
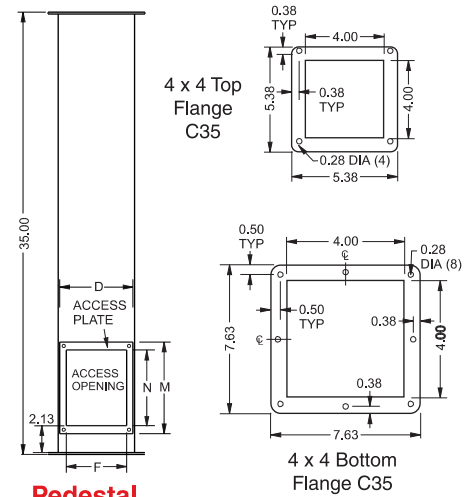
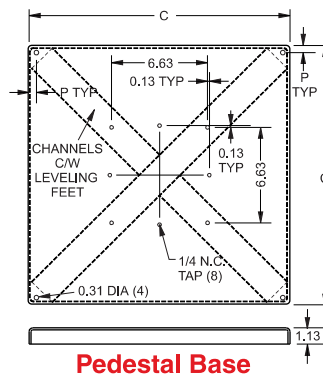
Pedestal Column

- Columns are formed from 14 gauge steel with 10 gauge flanges.
- Column access opening with gasketed cover.
- Columns include flange gaskets and a box connector.

Pedestal Base

- Bases are formed from 10 gauge steel with additional reinforcing.
- Bases include levelling screws.

Part No.	Description	C	D	F	M	N	P
1495C35	Straight Column	—	3.75	2.75	7.25	6	—
1495D35	Straight Column	—	5.75	4.75	7.25	6	—
1495XK	Pedestal Base	18	—	—	—	—	0.5
1495XN	Pedestal Base	24	—	—	—	—	0.5



General Accessories

General Accessories

General Accessories



Touch-Up Spray Paint

- For use in matching standard Hammond colors.
- Provided in 12 oz. spray cans.

Touch Up - Spray Can

Part No.	Color
1413BKLGS	Black - Low Gloss
1413BKS	Black
1413CGRALS	Beige RAL 7032
1413LRS	ANSI 61 Gray
1413NS	White
1413LGS	Light Gray RAL 7035
1413WH9003	White RAL 9003



Castors

- Packaged in sets of four.
- 800 lb. load capacity per set.
- 4" swivel casters with brakes.
- Features zinc plated ball bearing pivot, composite wheels.

Part No.	1425D
----------	-------



1425 Series Castors

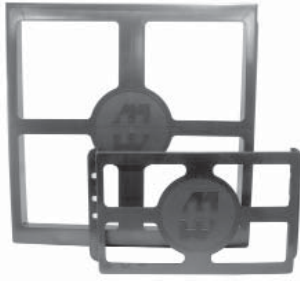
- Packaged in sets of four.
- Feature ball bearing, swivel and hard composition wheels.
- Available for 3 weight capacities.

Part No.	Mfg. Specified Capacity (Set of 4)	Wheel Diameter (inches)
1425B	360	3.0
1425BM	700	3.0
1425BH	1050	3.0



General Accessories

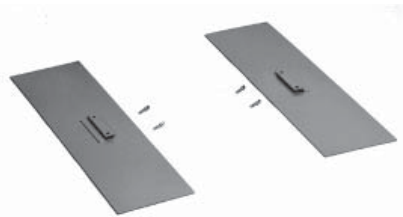
General Accessories



Literature Pocket Kit

- For use as additional or replacement literature pockets.
- Kit includes pocket, high strength two-sided adhesive tape and surface preparation swab.
- Plastic pocket is black.
- Packaged individually.

Part No.	Height	Width	Depth
PKT66	6	6	0.75
PKT99	6	9	0.75
PKT1212	12	12	2.50



Enclosure Stabilizers

- Prevents floor mounted enclosures from falling over while being worked on before they are bolted to the floor.
- Install by slipping under enclosure mounting foot and tightening two thumb screws.
- Finished in gray.

Part No.	Overall Dimensions
1481ES (1 pair)	8 x 30



Panel Lifting Handles

- Used for lifting, transporting and installing panel assemblies in enclosures that are positioned horizontally.

Part No.	1481H



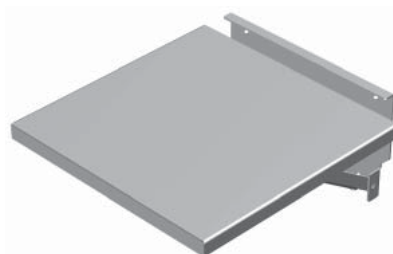
Neoprene Gasket Kit - NEMA 12 Enclosures

- Self-adhesive cellular neoprene gasket for NEMA 12 enclosures.
- Supplied in 10 foot rolls, 0.19" x 0.75".

Urethane Gasket Kit - NEMA 4, 4X Enclosures

- Self adhesive microcell urethane gasket for NEMA 4, 4X enclosures.
- Supplied in 10 foot rolls, 0.25" x 0.75".

Part No.	Material	For NEMA Type
1481DJ10	Neoprene	12
1481DJN410	Urethane	4, 4X



Fold Down Shelf

- Supports various equipment used temporarily to service/program switchgear inside enclosures.
- Mounts with bolts through doors or sides.
- Weight capacity 100 lbs.
- Finished in ANSI 61 Gray.

Part No	Work Surface (In.)	
	W	D
FDS1212GY	12	12
FDS1818GY	18	18

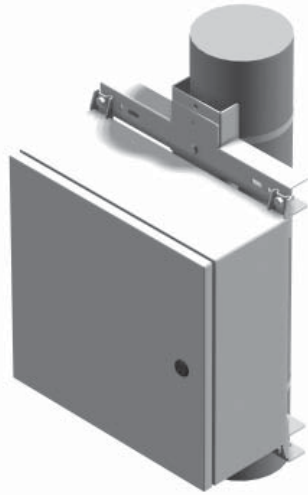


General Accessories

General Accessories

Pole Mounting Kit

- Designed to mount outdoor rated enclosures - Hammond 1414N4, Eclipse, Eclipse Junior and 1418N4 Series
- Individual components allows user to choose mounting configuration and/or components to purchase
- Vertical channel can be lagged directly to pole or attached using optional stainless steel straps
- Vertical channel prevents enclosure from twisting
- Can be used on pole diameters from 4" and up
- Horizontal rails sold in pairs and comes with all hardware needed to secure the enclosure to the rails
- Stainless straps sold in quantities of 4
- PMSTRAP40 straps are rated for 450 lbs each and can be used for pole diameters up to 10"
- PMSTRAP55 straps are rated for 250 lbs each and can be used for pole diameters up to 15"



General Accessories



Vertical Steel Channel



Horizontal Steel Channel



Straps

Part No.	Description	Use with Hammond Series			
		1414N4	Eclipse Junior (EJ)	1418N4	Eclipse (EN4SD)
PMV1216GY	Vertical Steel Channel - Qty 1	12"-16" encl height	12"-16" encl height	12"-16" encl height	12"-16" encl height
PMV2024GY	Vertical Steel Channel - Qty 1	N/A	N/A	20"-24" encl height	20"-24" encl height
PMV3036GY	Vertical Steel Channel - Qty 1	N/A	N/A	30"-36" encl height	30"-36" encl height
PMV4248GY	Vertical Steel Channel - Qty 1	N/A	N/A	42"-48" encl height	42"-48" encl height
PMH15GY	Horizontal Steel Channel - Qty 2	12"-16" encl width	12"-16" encl width	12"-20" encl width	12"-20" encl width
PMH25GY	Horizontal Steel Channel - Qty 2	N/A	N/A	24"-30" encl width	24" encl width
PMH35GY	Horizontal Steel Channel - Qty 2	N/A	N/A	36" encl width	30"-36" encl width
PMSTRAP40	0.50" x 39" length 316 stainless strap - Qty 4				
PMSTRAP55	0.31" x 55" length 316 stainless strap - Qty 4				

General Accessories

General Accessories



PJ Pole Mounting Kit

- Eight sizes cover PJU & PJ up to 30x24
- Adjustable steel band allows mounting on pole diameters up to 15"
- Adaptable pole mounting on round, square and rectangular shapes
- Minimal assembly with fewer parts for installation
- Corrosion protection for long outdoor life

Pole Mount Kit Part No.	Use with PJ Series (including all variations)	Use with PJU Series (including all variations)
PJPOLEMNT8	PJ864,PJ1084,PJ1086	PJU1084
PJPOLEMNT10	PJ1084,PJ1086, PJ12106	PJU12106
PJPOLEMNT12	PJ12106, PJ14126	PJ14126
PJPOLEMNT14	PJ14126, PJ16148	PJU16148
PJPOLEMNT16	PJ16148, PJ18168, PJ20168	PJU181610, PJU201610
PJPOLEMNT20	PJ242010	Not available
PJPOLEMNT24	PJ241010, PJ242410, PJ302410	Not available

Standards Sources	461
Industry Definitions (per NEMA)	462
Industry Definitions (NEMA Standards)	463
Enclosure Type - NEMA, UL, CSA Cross Reference	466
Definition of Protection Grades IEC 529	467
Corrosion Information	469
Information Specific to Hammond Enclosures	470
Instructions for Repainting Hammond Enclosures	471
Decimal and Millimeter Equivalents	472
Metric Conversion Information	473
Corrosion Resistance Table	474

Standards Sources



NEMA National Electrical Manufacturers' Association

- 1300 North 17th Street Rosslyn, VA 22209
- NEMA Standards Publication No. 250 enclosures for Electrical Equipment (1000 Maximum)
- NEMA Standards Publication No. ICS6 enclosures for Industrial Controls and Systems



www.ul.com

UL Underwriters' Laboratories Inc.

- 333 Pfingsten Road, Northbrook, IL 60062
- UL 50 Cabinets and Boxes
- UL 508 Industrial Control Equipment
- UL 870 Wireways, Auxiliary Gutter, and Associated Fittings



www.csa.ca

CSA CSA International

- 178 Rexdale Boulevard, Etobicoke (Toronto), Ontario, Canada M9W 1R3
- CSA Standard C22.2, No 0 General Requirements - Canadian Electrical Code, Part II
- CSA Standard C22.2, No 0.4 Bonding and Grounding of Electrical Equipment (Protective Equipment)
- CSA Standard C22.2, No. 14 Industrial Control Equipment for Use in Ordinary (Non-Hazardous) Locations
- CSA Standard C22.2, No. 40 Cutout, Junction, and Pull Boxes
- CSA Standard C22.2, No. 26 Construction and Test of Wireways, and Auxiliary Gutters, and Associated Fittings.
- CSA Standard C22.2, No. 94-M91 Special Purpose Enclosures



EIA Electronic Industries Association

- 2500 Wilson Blvd, Arlington, VA 22201
- EIA RS-310-D Cabinets, Racks, Panels, and Associated Equipment



IEC International Electrotechnical Commission



www.cemarking.net

CE Conformance Europeene

- European Commission



ANSI American National Standards Institute

- 1819 L Street NW Washington, DC 20036

Industry Definitions (per NEMA)

Introduction

An enclosure is a surrounding case constructed to provide a degree of protection to personnel against incidental contact with the enclosed equipment and to provide a degree of protection to the enclosed equipment against specified environmental conditions. NEMA 250-2003.

General Definitions Pertaining To Enclosures

Cover: An unhinged portion of an enclosure that covers an opening.

Degree of Protection: The extent of protection provided by an enclosure against access to hazardous parts, against ingress of foreign solid objects and/or against ingress of water and verified by standardized test methods.

Design Tests: Tests to demonstrate performance of a product designed to applicable standards. (Note: Design tests are not intended to be production tests.) NEMA 250-2003.

Door: A hinged portion of an enclosure that covers an opening. NEMA 250-2003.

Hazardous (Classified) Locations are those areas, which may contain hazardous (classified) materials in sufficient quantity to create an explosion. See Article 500 of the National Electrical Code. NEMA 250-2003.

Hazardous (Classified) Materials are those gases, vapors, combustible dusts, fibers, or flyings, which are explosive under certain conditions. NEMA 250-2003.

Hazardous Parts are parts that are hazardous to approach or touch.

Indoor Locations are those areas, which are protected from exposure to the weather. NEMA 250-2003.

Knockout is a portion of the wall of an enclosure so fashioned that it may be removed readily by a hammer, screwdriver, and pliers at the time of installation in order to provide a hole for the attachment of an auxiliary device or raceway, cable, or fitting. NEMA 250-2003.

Non-Hazardous Locations: Areas, which do not contain hazardous (classified) materials in sufficient quantity to create an explosion. NEMA 250-2003.

Non-Ventilated means constructed so as to provide no intentional circulation of external air through the enclosure. NEMA 250-2003.

Oil-Resistant Gaskets are those made of material, which is resistant to oil, or oil fumes. NEMA 250-2003.

Outdoor Locations are those areas, which are exposed to the weather. NEMA 250-2003.

Ventilated means constructed so as to provide for the circulation of external air through the enclosure to remove excess heat, fumes, or vapors. NEMA 250-2003.

Industry Definitions (NEMA Standards)

Definitions Pertaining to Non-Hazardous Locations

Type 1 Enclosures are constructed for indoor use to provide a degree of protection to personnel against access to hazardous parts and to provide a degree of protection of the equipment inside the enclosure against ingress of solid foreign objects (falling dirt)

Type 2 Enclosures are constructed for indoor use to provide a degree of protection to personnel against access to hazardous parts, to provide a degree of protection of the equipment inside the enclosure against ingress of solid foreign objects (falling dirt), and to provide a degree of protection with respect to harmful effects on the equipment due to the ingress of water (dripping and light splashing).

Type 3 Enclosures are constructed for either indoor or outdoor use to provide a degree of protection to personnel against access to hazardous parts, to provide a degree of protection of the equipment inside the enclosure against ingress of solid foreign objects (falling dirt) and windblown dusty, to provide a degree of protection with respect to harmful effects on the equipment due to the ingress of water (rain, sleet, snow), and that will be undamaged by the external formation of ice on the enclosure.

Type 3R Enclosures are constructed for either indoor or outdoor use to provide a degree of protection to personnel against access to hazardous parts, to provide a degree of protection of the equipment inside the enclosure against ingress of solid foreign objects (falling dirt) to provide a degree of protection with respect to harmful effects on the equipment due to the ingress of water (rain, sleet, snow), and that will be undamaged by the external formation of ice on the enclosure.

Type 3S Enclosures are constructed for either indoor or outdoor use to provide a degree of protection to personnel against access to hazardous parts, to provide a degree of protection of the equipment inside the enclosure against ingress of solid foreign objects (falling dirt and windblown dust) to provide a degree of protection with respect to harmful effects on the equipment due to the ingress of water (rain, sleet, snow), and for which the external mechanisms remain operable when ice laden.

Type 3X Enclosures are constructed for either indoor or outdoor use to provide a degree of protection to personnel against access to hazardous parts, to provide a degree of protection of the equipment inside the enclosure against ingress of solid foreign objects (falling dirt) and windblown dusty, to provide a degree of protection with respect to harmful effects on the equipment due to the ingress of water (rain, sleet, snow), that provides an additional level of protection against corrosion and that will be undamaged by the external formation of ice on the enclosure.

Type 3XR Enclosures are constructed for either indoor or outdoor use to provide a degree of protection to personnel against access to hazardous parts, to provide a degree of protection of the equipment inside the enclosure against ingress of solid foreign objects (falling dirt), to provide a degree of protection with respect to harmful effects on the equipment due to the ingress of water (rain, sleet, snow), that will be undamaged by the external formation of ice on the enclosure that provides an additional level of protection against corrosion, and that will be undamaged by the external formation of ice on the enclosure.

Type 3SX Enclosures are constructed for either indoor or outdoor use to provide a degree of protection to personnel against access to hazardous parts, to provide a degree of protection of the equipment inside the enclosure against ingress of solid foreign objects (falling dirt and windblown dusty), to provide a degree of protection with respect to harmful effects on the equipment due to the ingress of water (rain, sleet, snow), that provides an additional level of protection against corrosion, and for which the external mechanisms remain operable when ice laden.

Type 4 Enclosures are constructed for either indoor or outdoor use to provide a degree of protection to personnel against access to hazardous parts, to provide a degree of protection of the equipment inside the enclosure against ingress of solid foreign objects (falling dirt and windblown dusty), to provide a degree of protection with respect to harmful effects on the equipment due to the ingress of water (rain, sleet, snow, splashing water, and hose directed water), and that will be undamaged by the external formation of ice on the enclosure.

Type 4X Enclosures are constructed for either indoor or outdoor use to provide a degree of protection to personnel against access to hazardous parts, to provide a degree of protection of the equipment inside the enclosure against ingress of solid foreign objects (windblown dusty), to provide a degree of protection with respect to harmful effects on the equipment due to the ingress of water (rain, sleet, snow, splashing water, and hose directed water), that provides an additional level of protection against corrosion, and that will be undamaged by the external formation of ice on the enclosure.

Type 5 Enclosures are constructed for indoor use to provide a degree of protection to personnel against access to hazardous parts, to provide a degree of protection of the equipment inside the enclosure against ingress of solid foreign objects (falling dirt and settling airborne dust, lint, fibers, and flyings), and to provide a degree of protection with respect to harmful effects on the equipment due to the ingress of water (dripping and light splashing).

Type 6 Enclosures are constructed for either indoor or outdoor use to provide a degree of protection to personnel against access to hazardous parts, to provide a degree of protection of the equipment inside the enclosure against ingress of solid foreign objects (falling dirt), to provide a degree of protection with respect to harmful effects on the equipment due to the ingress of water (hose directed water and the entry of water during occasional temporary submersion at a limited depths), and that will be undamaged by the external formation of ice on the enclosure.

Type 6P Enclosures are constructed for either indoor or outdoor use to provide a degree of protection to personnel against access to hazardous parts, to provide a degree of protection of the equipment inside the enclosure against ingress of solid foreign objects (falling dirt), to provide a degree of protection with respect to harmful effects on the equipment due to the ingress of water (hose directed water and the entry of water during prolonged submersion at a limited depths), that provides an additional level of protection against corrosion and that will be undamaged by the external formation of ice on the enclosure.

NEMA Enclosure Classifications

Definitions Pertaining to Non-Hazardous Locations - Cont'd

Type 12 Enclosures are constructed (without knockouts) for indoor use to provide a degree of protection to personnel against access to hazardous parts, to provide a degree of protection of the equipment inside the enclosure against ingress of solid foreign objects (falling dirt and circulating dust, lint, fibers, and flyings), and to provide a degree of protection with respect to harmful effects on the equipment due to the ingress of water (dripping and light splashing).

Type 12K Enclosures are constructed (with knockouts) for indoor use to provide a degree of protection to personnel against access to hazardous parts, to provide a degree of protection of the equipment inside the enclosure against ingress of solid foreign objects (falling dirt and circulating dust, lint, fibers, and flyings), and to provide a degree of protection with respect to harmful effects on the equipment due to the ingress of water (dripping and light splashing).

Type 13 Enclosures are constructed for indoor use to provide a degree of protection to personnel against access to hazardous parts, to provide a degree of protection of the equipment inside the enclosure against ingress of solid foreign objects (falling dirt and circulating dust, lint, fibers, and flyings), to provide a degree of protection with respect to harmful effects on the equipment due to the ingress of water (dripping and light splashing), and to provide a degree of protection against the spraying, splashing, and seepage of oil and non-corrosive coolants.

Definitions Pertaining to Hazardous (Classified) Locations

Type 7 Enclosures constructed for indoor use in hazardous locations classified as Class I, Division 1, Groups A, B, C, or D, as defined in NFPA70. NEMA 250-2003.

Type 8 Enclosures constructed for either indoor or outdoor use in hazardous locations classified as Class I, Division 1, Groups A, B, C, or D, as defined in NFPA70. NEMA 250-2003.

Type 9 Enclosures constructed for indoor use in hazardous locations classified as Class II, Division 1, Groups E, F, or G, as defined in NFPA70. NEMA 250-2003.

Type 10 Enclosures constructed to meet the requirements of the Mine Safety and Health Administration, 30 CFR, Part 18. NEMA 250-2003. NEMA 250-2003.

Application for Enclosure Types

Type 1 general-purpose enclosures are suitable for general-purpose application indoors, where atmospheric conditions are normal. These enclosures serve as protection against falling dirt but are not dust tight.

Type 2 drip-tight (indoor) enclosures are similar to Type 1 enclosures, suitable for application where condensation may be severe, such as that encountered in cooling rooms or laundries.

Type 3 enclosures provide proper protection against windblown dust and weather hazards such as dirt, rain, sleet, or snow. They are suitable for application outdoors on ship docks, canal locks, construction work, and for application in subways and tunnels, use indoors where dripping water is a problem.

Type 3R enclosures provide proper protection falling dirt, rain, sleet, snow, undamaged by external formation of ice. They are suitable for application outdoors, they will not withstand wind blown dust.

Type 4 watertight enclosures are suitable for dairies, breweries, etc., where the enclosure may be subjected to large amounts of water from any angle. (They are not submersible).

Type 4X corrosion resistant enclosures satisfy the same requirements of Type 4, in addition, they are suitable for food processing plants, dairies, refineries, and other industries where corrosion is prominent.

Type 6 submersible enclosures are suitable for application where the equipment may be subject to occasional temporary submersion, such as quarries, mines, and manholes. The enclosure design will depend upon the specified conditions of pressure and time.

Type 9 hazardous location enclosures—Class II, Group E, F, or G. These enclosures are designed to meet the requirements of the “Canadian Electrical Code” Part I for Class II hazardous locations, and CSA codes section 18, Class II, Group E, F, and G.

Class II, Group E — atmospheres containing metal dust

Class II, Group F — atmospheres containing carbon black, coal, or coke dust

Class II, Group G — atmospheres containing flour, starch, or grain dust

Type 12 industrial use enclosures protect against dripping and light splashing of liquids. Hammond Type 12 enclosures meet JIC standard and also satisfy requirements of NEMA.

Type 12K industrial use enclosure same as type 12 but includes knockouts in the top and bottom end walls only.

Type 13 industrial use enclosures, protection against dust, spraying of water, oil, and non-corrosive coolant. These enclosures are suitable for application to machine tools and other industrial processing machines.

Industry Definitions (NEMA Standards) (continued)

Comparison of Specific Applications of Enclosures for Indoor Non Hazardous Locations

Provides a Degree of Protection Against The Following Environment Conditions	Enclosure Type				
	1 ¹	4	4X	12	13
Incidental contact with enclosed equipment	•	•	•	•	•
Falling dirt	•	•	•	•	•
Falling liquids and lightly splashing		•	•	•	•
Circulating dust, lint and fiber flyings ²		•	•	•	•
Settling airborne dust, lint and fiber flyings ²		•	•	•	•
Hosedown and splashing water		•	•		
Oil and coolant seepage				•	•
Oil and coolant spraying and splashing					•
Corrosive agents			•		

¹ These enclosures may be ventilated

² These fibers and flyings are nonhazardous materials and are not considered Class III type ignitable fibers or combustible flyings. For Class III type ignitable fibers or combustible flyings see the National Electrical Code, article 500.

Comparison of Specific Applications of Enclosures for Outdoor Non Hazardous Locations

Provides a Degree of Protection Against The Following Environment Conditions	Enclosure Type		
	3R ¹	4	4X
Incidental contact with enclosed equipment	•	•	•
Rain, snow, and sleet ²	•	•	•
Windblown dust, lint and fiber flyings		•	•
Hosedown		•	•
Corrosive agents			•

¹ These enclosures may be ventilated

² External operating mechanisms are not required to be operable when the enclosure is ice covered.

Enclosure Type - NEMA, UL, CSA Cross Reference

Non-Hazardous Enclosures

Type	National Electrical Manufacturers' Association	Underwriters' Laboratories Inc.	Canadian Standards Association
1	Enclosures constructed for indoor use to provide a degree of protection to personnel against incidental contact with the enclosed equipment to provide a degree of protection against falling dirt.	Indoor use primarily to provide a degree of protection against limited amount of falling dirt.	General purpose enclosure in ordinary locations.
2	Enclosures constructed for indoor use to provide a degree of protection to personnel against incidental contact with the enclosed equipment, to provide a degree of protection against falling dirt, and to provide a degree of protection against dripping and light splashing of liquids.	Indoor use primarily to provide a degree of protection against limited amounts of falling water and dirt.	An enclosure for Indoor use, constructed so as to provide a degree of protection against dripping and light splashing of non-corrosive liquids, and falling dirt.
3	Enclosures constructed for either indoor or outdoor use to provide a degree of protection to personnel against incidental contact with enclosed equipment to provide a degree of protection against falling dirt, rain, sleet, snow and windblown dust and that will be undamaged by the external formation of ice on the enclosure.	Outdoor use primarily to provide a degree of protection against rain, sleet, windblown dust, and damage from external ice formation.	An enclosure for either indoor or outdoor use, constructed so as to provide a degree of protection against rain, snow, and windblown dust, undamaged by the external formation of ice on the enclosure.
3R	Enclosures constructed for either indoor or outdoor use to provide a degree of protection to personnel against incidental contact with enclosed equipment to provide a degree of protection against falling dirt, rain, sleet, snow and that will be undamaged by the external formation of ice on the enclosure.	Outdoor use primarily to provide a degree of protection against rain, sleet; and damage from external ice formation.	An enclosure for either indoor or outdoor use, constructed so as to provide a degree of protection against rain, and snow, undamaged by the external formation of ice on the enclosure.
4	Enclosures constructed for either indoor or outdoor use to provide a degree of protection to personnel against incidental contact with the enclosed equipment: to provide a degree of protection against falling dirt, rain, sleet, snow, windblown dust, splashing water, hose directed water, and hose-directed water, and that will be undamaged by the external formation of ice on the enclosure.	Indoor or outdoor use primarily to provide a degree of protection against windblown dust, and rain, splashing water, hose-directed water, and damage from external ice formation.	An enclosure for either indoor or outdoor use, constructed so as to provide a degree of protection against rain, snow, windblown dust, splashing and hose-directed water, undamaged by the external formation of ice on the enclosure.
4X	Enclosures constructed for either indoor or outdoor use to provide a degree of protection to personnel against incidental contact with the enclosed equipment, to provide a degree of protection against falling dirt, rain, sleet, snow, windblown dust, splashing water, hose-directed water, and corrosion, and that will be undamaged by the external formation of ice on the enclosure.	Indoor or outdoor use primarily to provide a degree of protection against corrosion, windblown dust and rain, splashing water, hose-directed water, and damage from external ice formation.	An enclosure for either indoor or outdoor use, constructed so as to provide a degree of protection against rain, snow, windblown dust, splashing and hose-directed water, undamaged by the external formation of ice on the enclosure, resists corrosion.
12	Enclosures constructed (without knockouts) for indoor use to provide a degree of protection to personnel against incidental contact with the enclosed equipment, to provide a degree of protection against falling dirt, against circulating dust, lint and fiber flyings, and against dripping and light splashing of liquids.	Indoor use primarily to provide a degree of protection against circulating dust, falling dirt, and dripping non-corrosive liquids.	An enclosure for indoor use, constructed so as to provide a degree of protection against circulating and settling dust and lint, fibre flyings; dripping and light splashing of non-corrosive liquids; not provided with knockouts.
13	Enclosures constructed for indoor use to provide a degree of protection to personnel against incidental contact with the enclosed equipment, to provide a degree of protection against falling dirt, against circulating dust, lint and fiber flyings, and against the spraying, splashing, and seepage of water, oil, and non-corrosive coolants.	Indoor use primarily to provide a degree of protection against dust, spraying of water, oil, and non-corrosive coolant.	An enclosure for indoor use, constructed so as to provide a degree of protection against circulating and settling dust, lint and fibre flyings, seepage and spraying of non-corrosive liquids including oils and coolants.

Note: The specifications on this page are for comparative reference only and are not intended to provide the complete requirements or test qualifications published by various associations and agencies. Complete information may be obtained by contacting the appropriate organization as shown in the "Standards Sources" listing.

Definition of Protection Grades IEC 529

IEC (International Electrotechnical Commission)

The IEC has established an enclosure grading system that produces an IP rating. (For example, IP 54 - "5" is the first character - refer to tables I & II. "4" is the second character - refer to table III - following page).

Table I Degrees of Protection against Hazardous Parts

Degree of protection is indicated by the first characteristic numeral

First Characteristic Numeral	Brief Description	Definition
0	Non Protected	
1	Protected against access to hazardous parts with the back of a hand.	The Access probe, sphere of 50 mm \varnothing , shall have adequate clearance from hazardous parts.
2	Protected against access to hazardous parts with a finger.	The jointed test finger of 12mm \varnothing , 80 mm length, shall have adequate clearance from hazardous parts.
3	Protected against access to hazardous parts with a tool.	The access probe of 2.5 mm \varnothing shall not penetrate.
4	Protected against access to hazardous parts with a wire.	The access probe of 1.0 mm \varnothing shall not penetrate.
5	Protected against access to hazardous parts with a wire.	The access probe of 1.0 mm \varnothing shall not penetrate.
6	Protected against access to hazardous parts with a wire.	The access probe of 1.0 mm \varnothing shall not penetrate.

Note: In the case of the first characteristic numerals 3, 4, 5 and 6, protection against access to hazardous parts is satisfied if adequate clearance is kept. Due to the simultaneous requirement specified in Table II the definition "shall not penetrate" is given in Table I.

Table II Degrees of Protection against Solid Foreign Objects

Degree of protection is indicated by the first characteristic numeral

First Characteristic Numeral	Brief Description	Definition
0	Non Protected	
1	Protected against solid foreign objects of 50 mm \varnothing and greater.	The object probe, sphere of 50 mm \varnothing , shall not fully penetrate. ¹
2	Protected against solid foreign objects of 12.5 mm \varnothing and greater.	The object probe, sphere of 12.5 mm \varnothing , shall not fully penetrate. ¹
3	Protected against solid foreign objects of 2.5 mm \varnothing and greater.	The object probe of 2.5 mm \varnothing shall not penetrate at all. ¹
4	Protected against solid foreign objects of 1.0 mm \varnothing and greater.	The object probe of 1.0 mm \varnothing shall not penetrate at all. ¹
5	Dust-protected	Ingress of dust is not totally prevented, but dust shall not penetrate in a quantity to interfere with satisfactory operation of the apparatus or to impair safety.
6	Dust-tight	No ingress of dust

¹ The full diameter of the object probe shall not pass through an opening of the enclosure.

Definition of Protection Grades IEC 60529

IEC (International Electrotechnical Commission)

Table III
Degrees of Protection against Water

Degree of protection is indicated by the second characteristic numeral

Second Characteristic Numeral	Brief Description	Definition
0	Non Protected	
1	Protected against vertically falling water drops	Vertically falling drops shall have no harmful effects.
2	Protected against vertically falling water drops when enclosure tilted up to 15°.	Vertically falling drops shall have no harmful effects when the enclosure is tilted at any angle up to 15° on either side of the vertical.
3	Protected against spraying water.	Water sprayed at any angle up to 60° on either side of the vertical shall have no harmful effects.
4	Protected against splashing water	Water splashed against the enclosure from any direction shall have no harmful effects.
5	Protected against water jets	Water projected in jets against the enclosure from any direction shall have no harmful effects.
6	Protected against powerful water jets	Water projected in powerful jets against the enclosure from any direction shall have no harmful effects.
7	Protected against the effects of temporary immersion in water.	Ingress of water in quantities causing harmful effects shall not be possible when the enclosure is temporarily immersed in water under standardized conditions of pressure and time.
8	Protected against the effects of continuous immersion in water.	Ingress of water in quantities causing harmful effects shall not be possible when the enclosure is continuously immersed in water under conditions which shall be agreed between manufacturer and user but which are more severe than for numeral 7.

NEMA TO IEC

Enclosure Rating Cross-Reference¹

(CANNOT be used to convert IEC Classification designations to NEMA Type Ratings)

NEMA TYPE	IP20	IP22	IP24	IP54	IP55	IP66	IP67
1	•						
2		•					
3					•		
3R			•				
4						•	
4X						•	
6							•
12, 12K				•			
13				•			

¹ This cross reference is an approximation of NEMA and IEC classifications for reference only. Please consult the appropriate agencies for requirements and test qualifications for complete information.

Corrosion Information

Corrosion Resistance of Various Enclosure Materials

- Hammond offers many different material types in its broad product offering. Deciding on the appropriate material depends on various factors with a major consideration being resistance properties of the material to various chemical laden environments. Below is a general summary of the suitability of the materials offered in Hammond's product lines. Please consult Hammond for specific questions you may have for a particular environment.

Suitability	High	Stainless Steel Type 316 Stainless Steel Type 304	Stainless Steel Type 316 Stainless Steel Type 304	Stainless Steel Type 316 Stainless Steel Type 304 Fibreglass Aluminum Steel - Powder Painted
	Satisfactory	Fiberglass Steel - Powder Painted	Fiberglass	
	Limited	Aluminum	Aluminum Steel - Powder Painted	
		Acids	Alkalies	Solvents
		Material Type		

Suggested Applications for Corrosion Resistant Materials

Material Type	Hammond NEMA Rating	Suggested Application
Stainless Steel Type 304	4X	Indoor/outdoor applications. Ideal for hose-down and wet areas (e.g. food processing, water treatment, dairies, breweries, etc.)
Stainless Steel Type 316	4X	Indoor/outdoor applications. Ideal for most all environments especially marine uses.
Aluminum	4	Indoor/outdoor applications. Ideal for marine uses as well as environments containing solvents, petrochemicals, some acids and most sulfates and nitrates.
Fiberglass Reinforced Polyester	4X	Indoor/outdoor applications. Ideal for continually wet, cold or salty environments. Also useful in solvent or chemical laden areas. Strong resistance to heat, dilute acids and bases, impact, fire and outdoor exposure.

Information Specific to Hammond Enclosures

Intended Use of Hammond Enclosures

Hammond electrical enclosures shown in this catalog are designed for industrial electrical applications and as such should be selected, transported, handled, installed, and re-fabricated by qualified professional electricians. These products are not intended for resale or repackaging for household applications or use by the general public. All applications of these products should be in accordance with proper inspections, test approvals, warnings, notices, and instructions as indicated by Consumer Product Safety Regulations and all other applicable local, state, provincial, and federal laws.

Hammond Manufacturing supplies enclosures built to the 3rd party specifications (i.e. UL, CSA) as noted in this catalog. Hammond offers no guarantee or warranty as to the applicability of our products outside these specifications. If you have any concerns about the appropriate enclosure selection for your application, please contact Hammond for advice regarding the variables in your particular situation.

Hammond Paint Finish

NEMA Type 12

Hammond Type 12 industrial enclosures are finished with recoatable powder coating.

NEMA Type 4

Hammond Type 4 industrial enclosures are finished with recoatable powder coating.

NEMA Type 4X for Painted Mild Steel Enclosures

Users of previous Hammond Manufacturing catalogs may have noticed a change to the ratings noted for Type 4 painted mild steel enclosures. Previously, Hammond catalog's have shown that these enclosures also carried the Type 4X designation, but this is no longer the case. There has been NO CHANGE WHATSOEVER to the quality of the Hammond paint finish. Hammond has removed the 4X approval from this catalog only to avoid misapplication of painted steel enclosures. The testing criteria for Type 4X is not as rigorous as many users may assume.

It is important for users to understand the NEMA 4/4X rating. In response to concern about the costs of corrosion, the Underwriters' Laboratory (UL) and the National Electrical Manufacturers' Association (NEMA) have developed a rating system for electrical enclosures, stipulating that certain minimum conditions of corrosion resistance be met.

Material tested to UL1332 (type 4 protective coating) is prerequisite to a type 4X salt spray test. The NEMA 4X rating is applied to material that has met, under laboratory conditions, a two hundred hour salt spray with no worse pitting than that exhibited on a Type 304 Stainless sample run at the same time. This rating, however, does not test for corrosion resistance beyond this, or with chemicals other than salt.

Information Specific to Hammond Enclosures

Repainting Hammond Enclosures

Instructions For Repainting Hammond Standard Paints & Powders

IMPORTANT: Check with your paint manufacturer to insure the paint you are applying is compatible with the paint on the Hammond product.

Hammond paints are re-paintable with most baking enamels, alkyd air dry enamels, industrial acrylic enamels, two component urethanes & two component epoxy's by following the instructions below.

Note: Automotive type paint finishes usually require additional surface preparation when applied over polyester powder finishes. Contact the paint supplier for more information.

IMPORTANT: For best adhesion results, correct surface preparation before painting is essential.

Type 12 and Type 4 Enclosures

INSTRUCTIONS FOR REPAINTING HAMMOND POWDER COATED PRODUCTS

- All Hammond standard powder coated products can be repainted.
 - Check with your paint manufacturer to insure that the paint you are applying is compatible with the paint on the Hammond product.
 - (Hammond uses Polyester and Hybrid powder coatings on standard catalogue products) - Always test the repainting process in an inconspicuous area prior to use.
 - This painting instruction applies to ANSI 61 (Gray) and RAL7035 (Light Gray).
 - All other Hammond powder paints can be repainted by following step 5.
1. **IMPORTANT** - This step is mandatory and must be done carefully.
Wipe down the entire area to be repainted with lacquer thinner or acetone. Use a clean cloth and change cloth frequently.
 2. Apply finish coats as per your paint manufacturers instructions.
 3. Allow paint to cure properly for best adhesion and hardness. Consult your paint manufacturer for proper cure time and temperature.
 4. The above procedure promotes good inter-coat adhesion. To enhance this process sanding with a 220 grit sandpaper is recommended. Remove all sanding dust using clean rags and a tack cloth.
 5. All Hammond standard powders can be repainted after a light sanding with a 240 grit sandpaper and cleaning.

Note: Always test the repainting process in an inconspicuous area prior to use.

Hammond Touch-up (Spray Cans)

Part Number	Color Match
1413BKLGS	Black - Low Gloss
1413BKS	Black
1413CGRALS	Beige RAL 7032
1413LRS	ANSI 61 Gray
1413NS	White
1413LGS	Light Gray RAL 7035
1413WH9003	White RAL 9003

Decimal and Millimeter Equivalents

Fractions of an Inch				Decimal	Millimeters
4ths	8ths	16ths	32nds	(to 3 places)	(to 1 place)
				0.016	0.4
			1/32	0.031	0.8
				0.047	1.2
		1/16		0.063	1.6
			3/32	0.078	2.0
				0.094	2.4
			7/64	0.109	2.8
	1/8			0.125	3.2
			9/64	0.141	3.6
			5/32	0.156	4.0
		3/16		0.172	4.4
			11/64	0.188	4.8
			13/64	0.203	5.2
			7/32	0.219	5.6
			15/64	0.234	6.0
1/4				0.250	6.4
			17/64	0.266	6.7
			9/32	0.281	7.1
			19/64	0.297	7.5
		5/16		0.313	7.9
			21/64	0.328	8.3
			11/32	0.344	8.7
			23/64	0.359	9.1
	3/8			0.375	9.5
			25/64	0.391	9.9
			13/32	0.406	10.3
		7/16		0.422	10.7
			27/64	0.438	11.1
			29/64	0.453	11.5
			15/32	0.469	11.9
			31/64	0.484	12.3
1/2				0.500	12.7
			33/64	0.516	13.1
			17/32	0.531	13.5
			35/64	0.547	13.9
		9/16		0.563	14.3
			37/64	0.578	14.7
			19/32	0.594	15.1
			39/64	0.609	15.5
	5/8			0.625	15.9
			41/64	0.641	16.3
			21/32	0.656	16.7
			43/64	0.672	17.1
		11/16		0.688	17.5
			45/64	0.703	17.9
			23/32	0.719	18.3
			47/64	0.734	18.7
3/4				0.750	19.1
			49/64	0.766	19.4
			25/32	0.781	19.8
			51/64	0.797	20.2
		13/16		0.813	20.6
			53/64	0.828	21.0
			27/32	0.844	21.4
			55/64	0.859	21.8
	7/8			0.875	22.2
			57/64	0.891	22.6
			29/32	0.906	23.0
			59/64	0.922	23.4
		15/16		0.938	23.8
			61/64	0.953	24.2
			31/32	0.969	24.6
			63/64	0.984	25.0
1				1.000	25.4

Metric Conversion Information

LENGTH

1 mm = 0.039 in.	8 mm = 0.315 in.	60 mm = 2.362 in.	400 mm = 15.748 in.
2 mm = 0.079 in.	9 mm = 0.354 in.	70 mm = 2.756 in.	500 mm = 19.685 in.
3 mm = 0.118 in.	10 mm = 0.394 in.	80 mm = 3.150 in.	600 mm = 23.622 in.
4 mm = 0.157 in.	20 mm = 0.787 in.	90 mm = 3.543 in.	700 mm = 27.559 in.
5 mm = 0.197 in.	30 mm = 1.181 in.	100 mm = 3.937 in.	800 mm = 31.496 in.
6 mm = 0.236 in.	40 mm = 1.575 in.	200 mm = 7.874 in.	900 mm = 35.433 in.
7 mm = 0.276 in.	50 mm = 1.969 in.	300 mm = 11.811 in.	1000 mm = 39.370 in.

Imperial to Metric

1 inch = 25.40 mm	1 foot = 0.3048 m
1 inch = 2.54 cm	1 yard = 91.44 cm
1 foot = 30.48 cm	1 yard = 0.9144 m

Imperial to Metric

1 mm = 0.03937 in.	1 m = 3.281 feet
1 cm = 0.3937 in.	1 m = 1.0936 yards
1 m = 39.37 in.	

AREA

Imperial to Metric

1 sq. inch = 645.16 sq. millimeters
1 sq. inch = 6.4516 sq. centimeters
1 sq. foot = 929.03 sq. centimeters
1 sq. foot = 0.0929 sq. meter
1 sq. yard = 0.836 sq. meter

Imperial to Metric

1 sq. millimeter (mm ²) = 0.00155 sq. inch
1 sq. centimeter (cm ²) = 0.1550 sq. inch
1 sq. meter (m ²) = 10.7640 sq. feet
1 sq. meter (m ²) = 1.196 sq. yards

TEMPERATURE

Imperial to Metric

Absolute Units

1° Fahrenheit = 0.555° Celsius

Thermometer Reading

To convert a °F temperature reading,
use the following equation:
(°F - 32) x 0.555 = °C

Metric to Imperial

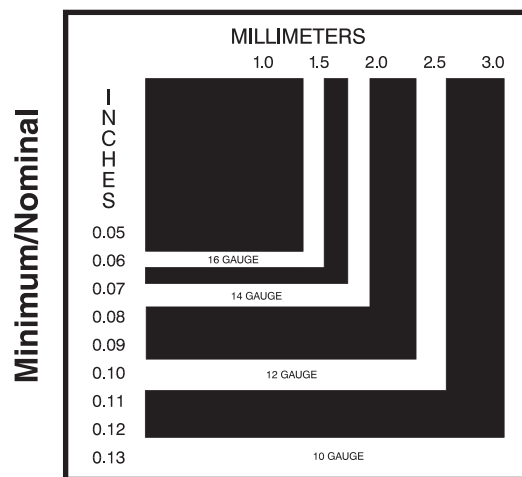
Absolute Units

1° Celsius = 1.8° Fahrenheit

Thermometer Reading

To convert a °C temperature reading,
use the following equation:
(°C x 1.8) + 32 = °F

Material Thickness Cross Reference Chart



3.0 mm = 0.118 ins.	10 gauge = 0.1345/0.1225 ins. = 3.416/3.112 mm
2.5 mm = 0.098 ins.	12 gauge = 0.1046/0.0926 ins. = 2.657/2.352 mm
2.0 mm = 0.079 ins.	14 gauge = 0.0747/0.0667 ins. = 1.897/1.694 mm
1.5 mm = 0.059 ins.	16 gauge = 0.0598/0.0528 ins. = 1.519/1.341 mm

Corrosion Resistance Table

Non-Metallic Enclosures

Chemical and Concentration	Polyester SMC +25% FV Resistance	Chemical and Concentration	Polycarbonate (Trans. Door) Resistance
Acetone 100%	None	Acetone 100%	None
Acetone 100%	None	Acetone 100%	None
Ammonia 5%	High	Ammonia 5%	High*
Aniline purera	Average*	Aniline purera	None
Benzene pure	None	Benzene pure	None
Carbontetrachloride pure	Average	Carbontetrachloride pure	None
Chromic acid 10%	High	Chromic acid 10%	Average*
Citric Acid 100%	High*	Citric Acid 100%	High (10%)
Fresh water	High	Fresh water	High
Gasoline 10%	High	Gasoline 10%	High (100%)
Hexane pure	None	Hexane pure	High
Hydrochloric acid 30%	High	Hydrochloric acid 30%	High
Lactic acid 100%	High*	Lactic acid 100%	High (10%)
Linseed oil pure	High	Linseed oil pure	High
Methyl alcohol 50%	Average*	Methyl alcohol 50%	High (96%)
Naptha 100%	High*	Naptha 100%	Average*
Nitric acid 20%	High (20%), None (100%)	Nitric acid 20%	High (10%), None (100%)
Phenol 5%	Average	Phenol 5%	None
Phosphoric acid 100%	High*	Phosphoric acid 100%	High
Saturated chlorine water	High*	Saturated chlorine water	None
Saturated ether	Average*	Saturated ether	Average*
Sea water	High	Sea water	High
Sulfuric acid 70%	High	Sulfuric acid 70%	High (50%), Average (70%), None (100%)
Toluene pure	High	Toluene pure	None
Trichloroethylene pure	None*	Trichloroethylene pure	None
Hexane	Average		
Aromatic Hydrocarbons	None		
Ethers	None		
Fuel Oil	High		
Liquid Bromine	None		
Liquid Chlorine	None		
Mineral Bases	High		
Mineral oils and greases	High		
Mineral Salts	High		
Naphtaline	Average		
Nitrobenzene	None		
Pure Aniline	None		
Sulphuric Acid	High		
Urea	High		

* Currently undergoing testing - this is a calculated reference.

Please refer to the Corrosion Resistant Section (see pages **119-156**) for Non-Metallic Enclosure information.

The table provided is a guide to assist in identifying the suitability of using non-metallic enclosures in various environments. For specific suitability, prototype samples must be evaluated under actual conditions.

Hammond cannot offer guarantees of warranty as actual conditions may differ from test conditions.

Hoffman to Hammond Cross Reference

This Cross Reference is a guide only. Products may not be exactly the same and it is user's responsibility to verify details for acceptable substitution. Hammond is not responsible for cross reference errors.

Cross Reference

Hoffman to Hammond Cross Reference

This Cross Reference is a guide only. Products may not be exactly the same and it is user's responsibility to verify details for acceptable substitution. Hammond is not responsible for cross reference errors.

Hoffman + Part No.	Panel = Part No.	Hammond Part No.	Comments	E6 Page
A10086CH	A10P8	1414PHI6	Ham incl. Panel	10
A10086CHFL	A10P8	EJ1086	Ham incl. Panel	4
A10086CHNF	A10P8	1414N4PHI6	Ham incl. Panel	12
A1008CH	A10P8	1414PHI	Ham incl. Panel	10
A1008CHFL	A10P8	EJ1084	Ham incl. Panel	4
A1008CHNF	A10P8	1414N4PHI	Ham incl. Panel	12
A1008CHNFSS	A10P8	1414N4PHSSI	Ham incl. Panel	74
A1008CHNFSS6	A10P8	1414N4PHS16I	Ham incl. Panel	74
A1008CHS	A10P8	1414PHRI	Ham incl. Panel	10
A1008LP	A10P8	1414I	Ham incl. Panel	6
A1008NF	A10P8	1414N4I	Ham incl. Panel	8
A1008NFAL	A10P8	1414N4ALI	Ham incl. Panel	64
A1008NFSS	A10P8	1414N4SSI	Ham incl. Panel	76
A1008SC	A10P8	1414SCI	Ham incl. Panel	14
A1010116RT	N/A	C3RWT10116		296
A101024RT	N/A	C3RWT1024		296
A101036RT	N/A	C3RWT1036		296
A101048RT	N/A	C3RWT1048		296
A101060RT	N/A	C3RWT1060		296
A10106CH	A10P10	1414PHJ6	Ham incl. Panel	10
A10106CHFL	A10P10	EJ10106	Ham incl. Panel	4
A101072RT	N/A	C3RWT1072		296
A101096RT	N/A	C3RWT1096		296
A1066JFGQRPWR	N/A	PJ864TW	Functional Cross	122
A1086CHQRFG	N/A	PJU1084L	Ham 4" Deep	129
A1086CHQRFGW	N/A	PJU1084LW	Ham 4" Deep	137
A1086CHSCFG	N/A	PJU1084H	Ham 4" Deep	135
A1086CHSCFGW	N/A	PJU1084HW	Ham 4" Deep	137
A10JS	N/A	14S10		441
A10JTMA	N/A	14B10		441
A10N104	A10N10P	N1J10104	Ham incl. Panel	324
A10N106	A10N10P	N1J10106	Ham incl. Panel	324
A10N10P	N/A	N1JP1010		340
A10N10PP	N/A	N1JP1010PP		439
A10N84	A10N8P	N1J1084	Ham incl. Panel	324
A10N86	A10N8P	N1J1086	Ham incl. Panel	324
A10N8P	N/A	N1JP108		340
A10N8PP	N/A	N1JP108PP		439
A10P10	N/A	14R0909		436
A10P10AL	N/A	14A0909		436
A10P10G	N/A	14G0909		436
A10P8	N/A	14R0907		436
A10P8AL	N/A	14A0907		436
A10P8C	N/A	14F0907		436
A10P8G	N/A	14G0907		436
A10R104	N/A	C3R10104SC		336
A10R106	N/A	C3R10106SC		336
A10R84	N/A	C3R1084SC		336
A10R86	N/A	C3R1086SC		336
A10R86HCLO	N/A	C3R1086HCLO		343
A10R86HCR	N/A	C3R1086HCR		340
A12064CH	A12P6	1414PHKC4	Ham incl. Panel	10
A12064CHFL	A12P6	EJ1264	Ham incl. Panel	4
A12106CHNFSS	A12P10	1414N4PHSSK6	Ham incl. Panel	74
A12106CHNFSS6	A12P10	1414N4PHS16K6	Ham incl. Panel	74
A12106CHQRFG	N/A	PJU12106L	Also PJ (PJU shown)	129
A12106CHQRFGW	N/A	PJU12106LW		137
A12106CHSCFG	N/A	PJU12106H	Also PJ (PJU shown)	135
A12106CHSCFGW	N/A	PJU12106HW		137
A12106NFSS	A12P10	1414N4SSK	Ham incl. Panel	76
A12108CH	A12P10	1414PHK8	Ham incl. Panel	10
A12108CHFL	A12P10	EJ12108	Ham incl. Panel	4
A1210CH	A12P10	1414PHK	Ham incl. Panel	10

Hoffman + Part No.	Panel = Part No.	Hammond Part No.	Comments	E6 Page
A1210CHFL	A12P10	EJ12105	Ham incl. Panel	4
A1210CHNF	A12P10	1414N4PHK	Ham incl. Panel	12
A1210CHS	A12P10	1414PHRK	Ham incl. Panel	10
A1210LP	A12P10	1414K	Ham incl. Panel	6
A1210NF	A12P10	1414N4K	Ham incl. Panel	8
A1210NFAL	A12P10	1414N4ALK	Ham incl. Panel	64
A1210SC	A12P10	1414SCK	Ham incl. Panel	14
A1212116RT	N/A	C3RWT12116		296
A121224RT	N/A	C3RWT1224		296
A121236RT	N/A	C3RWT1236		296
A121248RT	N/A	C3RWT1248		296
A121260RT	N/A	C3RWT1260		296
A121272RT	N/A	C3RWT1272		296
A121284RT	N/A	C3RWT1284		296
A121296RT	N/A	C3RWT1296		296
A1212CH	A12P12	1414PHL6	Ham incl. Panel	10
A1212CHFL	A12P12	EJ12126	Ham incl. Panel	4
A1212CHNF	A12P12	1414N4PHL6	Ham incl. Panel	12
A1212CHNFSS	A12P12	1414N4PHSSL6	Ham incl. Panel	74
A1212CHNFSS6	A12P12	1414N4PHS16L6	Ham incl. Panel	74
A122406LP	A12P24	1418A6	Ham incl. Panel	33
A122408LP	A12P24	1418A8	Ham incl. Panel	33
A1287JFGQRPWR	N/A	PJ1086TW	Functional Cross	122
A12DLP12	N/A	18P0909		436
A12JS	N/A	14S12		441
A12JTMA	N/A	14B12		441
A12N104	A12N10P	N1J12104	Ham incl. Panel	324
A12N106	A12N10P	N1J12106	Ham incl. Panel	324
A12N10P	N/A	N1JP1210		340
A12N10PP	N/A	N1JP1210PP		439
A12N124	A12N12P	N1J12124	Ham incl. Panel	324
A12N126	A12N12P	N1J12126	Ham incl. Panel	324
A12N128	A12N12P	N1J12128	Ham incl. Panel	324
A12N12P	N/A	N1JP1212		340
A12N12PP	N/A	N1JP1212PP		439
A12NTMA2	N/A	18B212		442
A12P10	N/A	14R1109		436
A12P10AL	N/A	14A1109		436
A12P10C	N/A	14F1109		436
A12P10G	N/A	14G1109		436
A12P12	N/A	14R1111		436
A12P12G	N/A	14G1111		436
A12P24	N/A	18P0921		436
A12P24G	N/A	18G0921		436
A12P6	N/A	14R1105		436
A12P6G	N/A	14G1105		436
A12R104	N/A	C3R12104SC		336
A12R106	N/A	C3R12106SC		336
A12R106HCLO	N/A	C3R12106HCLO		343
A12R106HCR	N/A	C3R12106HCR		340
A12R1210HCR	N/A	C3R121210HCR		340
A12R124	N/A	C3R12124SC		336
A12R126	N/A	C3R12126SC		336
A12R126HCLO	N/A	C3R12126HCLO		343
A12R126HCR	N/A	C3R12126HCR		340
A12R128	N/A	C3R12128SC		336
A12R44	N/A	C3R1244SC		336
A12R84	N/A	C3R1284SC		336
A12R86	N/A	C3R1286SC		336
A12SPK10C	N/A	PJSP1210		138
A14086CH	A14P8	1414PHMH6	Ham incl. Panel	10
A14086CHFL	A14P8	EJ1486	Ham incl. Panel	4
A14107JFGQRPWR	N/A	PJ12106TW	Functional Cross	122

Functional Cross indicates that the product performs the same function, but may have some dimensional and/or construction differences.
Ham incl. Panel - Hammond enclosure includes panel

This Cross Reference is a guide only. Products may not be exactly the same and it is user's responsibility to verify details for acceptable substitution. Hammond is not responsible for cross reference errors.

Hoffman to Hammond Cross Reference

Hoffman + Part No.	Panel = Part No.	Hammond Part No.	Comments	E6 Page
A14128CH	A14P12	1414PHM8	Ham incl. Panel	10
A14128CHFL	A14P12	EJ14128	Ham incl. Panel	4
A14128CHQRFG	N/A	PJU14126L	Also PJ (PJU shown)	129
A14128CHQRFGW	N/A	PJU14126LW	Also PJ (PJU shown)	137
A14128CHSCFG	N/A	PJU14126H	Also PJ (PJU shown)	135
A14128CHSCFGW	N/A	PJU14126HW	Also PJ (PJU shown)	137
A1412CH	A14P12	1414PHM6	Ham incl. Panel	10
A1412CHFL	A14P12	EJ14126	Ham incl. Panel	4
A1412CHNF	A14P12	1414N4PHM6	Ham incl. Panel	12
A1412CHNFSS	A14P12	1414N4PHSSM6	Ham incl. Panel	74
A1412CHNFSS6	A14P12	1414N4PHS16M6	Ham incl. Panel	74
A1412CHS	A14P12	1414PHRM6	Ham incl. Panel	10
A1412LP	A14P12	1414M6	Ham incl. Panel	6
A1412NF	A14P12	1414N4M6	Ham incl. Panel	8
A1412NFAL	A14P12	1414N4ALM6	Ham incl. Panel	64
A1412NFSS	A14P12	1414N4SSM6	Ham incl. Panel	76
A1412SC	A14P12	1414SCM6	Ham incl. Panel	14
A14JS	N/A	14S14		441
A14JTMA	N/A	14B14		441
A14N124	A14N12P	N1J14124	Ham incl. Panel	324
A14N126	A14N12P	N1J14126	Ham incl. Panel	324
A14N128	A14N12P	N1J14128	Ham incl. Panel	324
A14N12PP	N/A	N1JP1412PP		439
A14P12	N/A	14R1311		436
A14P12AL	N/A	14A1311		436
A14P12C	N/A	14F1311		436
A14P12G	N/A	14G1311		436
A14P8	N/A	14R1307		436
A14P8G	N/A	14G1307		436
A14SPK12C	N/A	PJSP1412		138
A15R126	N/A	C3R15126SC		336
A15R128	N/A	C3R15128SC		336
A16106CH	A16P10	1414PHN6	Ham incl. Panel	10
A16106CHFL	A16P10	EJ16106	Ham incl. Panel	4
A161206LP	A16P12	1418B6	Ham incl. Panel	33
A161208LP	A16P12	1418B8	Ham incl. Panel	33
A161210LP	A16P12	1418B10	Ham incl. Panel	33
A16128JFGQRPW	N/A	PJ14126TW	Functional Cross	122
A161410CH	A16P14	1414PHO10	Ham incl. Panel	10
A161410CHFL	A16P14	EJ161410	Ham incl. Panel	4
A16148CH	A16P14	1414PHO8	Ham incl. Panel	10
A16148CHFL	A16P14	EJ16148	Ham incl. Panel	4
A16148CHQRFG	N/A	PJU16148L	Also PJ (PJU shown)	129
A16148CHQRFGW	N/A	PJU16148LW	Also PJ (PJU shown)	137
A16148CHSCFG	N/A	PJU16148H	Also PJ (PJU shown)	135
A16148CHSCFGW	N/A	PJU16148HW	Also PJ (PJU shown)	137
A1614CH	A16P14	1414PHO6	Ham incl. Panel	10
A1614CHFL	A16P14	EJ16146	Ham incl. Panel	4
A1614CHNF	A16P14	1414N4PHO6	Ham incl. Panel	12
A1614CHNFSS	A16P14	1414N4PHSSO6	Ham incl. Panel	74
A1614CHNFSS6	A16P14	1414N4PHS16O6	Ham incl. Panel	74
A1614CHS	A16P14	1414PHRO6	Ham incl. Panel	10
A1614LP	A16P14	1414O6	Ham incl. Panel	6
A1614NF	A16P14	1414N4O6	Ham incl. Panel	8
A1614NFAL	A16P14	1414N4ALO6	Ham incl. Panel	64
A1614NFSS	A16P14	1414N4SSO6	Ham incl. Panel	76
A1614SC	A16P14	1414SCO6	Ham incl. Panel	14
A161606LP	A16P16	1418G6	Ham incl. Panel	33
A161608LP	A16P16	1418G8	Ham incl. Panel	33
A162006LP	A20P16	1418CR6	Ham incl. Panel	33
A162008LP	A20P16	1418CR8	Ham incl. Panel	33
A16H1206ALLP	A16P12	1418N4ALB6	Ham incl. Panel	70
A16H1206SS6LP	A16P12	1418N4S16B6	Ham incl. Panel	91

Hoffman + Part No.	Panel = Part No.	Hammond Part No.	Comments	E6 Page
A16H1206SSLP	A16P12	1418N4SSB6	Ham incl. Panel	91
A16H1208SS6LP	A16P12	1418N4S16B8	Ham incl. Panel	91
A16H1208SSLP	A16P12	1418N4SSB8	Ham incl. Panel	91
A16H12ALP	A16P12	1418N4B6	Ham incl. Panel	36
A16H12BLP	A16P12	1418N4B8	Ham incl. Panel	36
A16H1606SS6LP	A16P16	1418N4S16G6	Ham incl. Panel	91
A16H1606SSLP	A16P16	1418N4SSG6	Ham incl. Panel	91
A16H16ALP	A16P16	1418N4G6	Ham incl. Panel	36
A16H2006SS6LP	A20P16	1418N4S16CR6	Ham incl. Panel	91
A16H2006SSLP	A20P16	1418N4SSCR6	Ham incl. Panel	91
A16H20ALP	A20P16	1418N4CR6	Ham incl. Panel	36
A16JS	N/A	14S16		441
A16N126	A16N12P	N1J16126	Ham incl. Panel	324
A16N12ALP	A16N12MP	N1A16127	Ham incl. Panel	326
A16N12BLP	A16N12MP	N1A16129	Ham incl. Panel	326
A16N12MP	N/A	AP1612		438
A16N12MPP	N/A	AP1612PP		439
A16N12PP	N/A	N1JP1612PP		439
A16N16ALP	A16N16MP	N1A16167	Ham incl. Panel	326
A16N16MP	N/A	AP1616		438
A16N16MPP	N/A	AP1616PP		439
A16N20ALP	A16N20MP	N1A16207	Ham incl. Panel	326
A16N20MP	N/A	AP1620		438
A16N20MPP	N/A	AP1620PP		439
A16NTMA2	N/A	18B216		442
A16P10	N/A	14R1509		436
A16P10G	N/A	14G1509		436
A16P12	N/A	18P1309		436
A16P12G	N/A	18G1309		436
A16P12PP	N/A	18P1309PP		439
A16P14	N/A	14R1513		436
A16P14AL	N/A	14A1513		436
A16P14C	N/A	14F1513		436
A16P14G	N/A	14G1513		436
A16P16	N/A	18P1313		436
A16P16G	N/A	18G1313		436
A16P16PP	N/A	18P1313PP		439
A16R126	N/A	C3R16126SC		336
A16R126HCLO	N/A	C3R16126HCLO		343
A16R126HCR	N/A	C3R16126HCR		341
A16R166HCLO	N/A	C3R16166HCLO		343
A16R166HCR	N/A	C3R16166HCR		341
A16SPK14C	N/A	PJSP1614		138
A16T	N/A	18S16		442
A18149JFGQRPW	N/A	PJ16148TW	Functional Cross	122
A181610CHQRFG	N/A	PJU181610L	Also PJ (PJU shown)	129
A181610CHQRFGW	N/A	PJU181610LW	Also PJ (PJU shown)	137
A181610CHSCFG	N/A	PJU181610H	Also PJ (PJU shown)	135
A181610CHSCFGW	N/A	PJU181610HW	Also PJ (PJU shown)	137
A18P16C	N/A	F1868		436
A18P18	N/A	18P1515		436
A18P18G	N/A	18G1515		436
A18P18PP	N/A	18P1515PP		439
A18R124	N/A	C3R18124SC		336
A18R126	N/A	C3R18126SC		336
A18R128	N/A	C3R18128SC		336
A18R1810	N/A	C3R181810SC		336
A18R1810HCR	N/A	C3R181810HCR		341
A18R184	N/A	C3R18184SC		336
A18R186	N/A	C3R18186SC		336
A18R186HCR	N/A	C3R18186HCR		341
A18R188	N/A	C3R18188SC		336
A18R66	N/A	C3R1866SC		336

Functional Cross indicates that the product performs the same function, but may have some dimensional and/or construction differences.
Ham incl. Panel - Hammond enclosure includes panel

Hoffman to Hammond Cross Reference

This Cross Reference is a guide only. Products may not be exactly the same and it is user's responsibility to verify details for acceptable substitution. Hammond is not responsible for cross reference errors.

Hoffman + Part No.	Panel = Part No.	Hammond Part No.	Comments	E6 Page
A18SBASE	N/A	1495XK		454
A18SPK16C	N/A	PJSP1816		138
A201206LP	A20P12	1418CA6	Ham incl. Panel	33
A201208LP	A20P12	1418CA8	Ham incl. Panel	33
A201606LP	A20P16	1418C6	Ham incl. Panel	33
A201608LP	A20P16	1418C8	Ham incl. Panel	33
A201610LP	A20P16	1418C10	Ham incl. Panel	33
A201612LP	A20P16	1418C12	Ham incl. Panel	34
A202006LP	A20P20	1418D6	Ham incl. Panel	33
A202008LP	A20P20	1418D8	Ham incl. Panel	33
A202010LP	A20P20	1418D10	Ham incl. Panel	34
A202406LP	A24P20	1418ER6	Ham incl. Panel	33
A202408LP	A24P20	1418ER8	Ham incl. Panel	33
A20C16ALP	A20P16	1418JC7	Ham incl. Panel	18
A20C16BLP	A20P16	1418JC9	Ham incl. Panel	18
A20C20ALP	A20P20	1418JD7	Ham incl. Panel	18
A20C20BLP	A20P20	1418JD9	Ham incl. Panel	18
A20H1606ALLP	A20P16	1418N4ALC6	Ham incl. Panel	70
A20H1606GQRLP	N/A	PHW20166	Functional Cross	144
A20H1606SS6LP	A20P16	1418N4S16C6	Ham incl. Panel	91
A20H1606SSLP	A20P16	1418N4SSC6	Ham incl. Panel	91
A20H1608GQRLP	N/A	PJ20168L	Functional Cross	119
A20H1608SS6LP	A20P16	1418N4S16C8	Ham incl. Panel	91
A20H1608SSLP	A20P16	1418N4SSC8	Ham incl. Panel	91
A20H1610ALLP	A20P16	1418N4ALC10	Ham incl. Panel	70
A20H1610GQRLP	N/A	PJU201610LF	Functional Cross	129
A20H1610SS6LP	A20P16	1418N4S16C10	Ham incl. Panel	92
A20H1610SSLP	A20P16	1418N4SSC10	Ham incl. Panel	92
A20H1612GQRLP	N/A	PHW201612	Functional Cross	144
A20H16ALP	A20P16	1418N4C6	Ham incl. Panel	36
A20H16BLP	A20P16	1418N4C8	Ham incl. Panel	36
A20H16CLP	A20P16	1418N4C10	Ham incl. Panel	36
A20H2006SS6LP	A20P20	1418N4S16D6	Ham incl. Panel	91
A20H2006SSLP	A20P20	1418N4SSD6	Ham incl. Panel	91
A20H2008SS6LP	A20P20	1418N4S16D8	Ham incl. Panel	91
A20H2008SSLP	A20P20	1418N4SSD8	Ham incl. Panel	91
A20H20ALP	A20P20	1418N4D6	Ham incl. Panel	36
A20H20BLP	A20P20	1418N4D8	Ham incl. Panel	36
A20H2408SS6LP	A24P20	1418N4S16ER8	Ham incl. Panel	91
A20H2408SSLP	A24P20	1418N4SSER8	Ham incl. Panel	91
A20H24BLP	A24P20	1418N4ER8	Ham incl. Panel	36
A20N126	A20N12P	N1J20126	Ham incl. Panel	324
A20N12PP	N/A	N1JP2012PP		439
A20N16ALP	A20N16MP	N1A20167	Ham incl. Panel	326
A20N16BLP	A20N16MP	N1A20169	Ham incl. Panel	326
A20N16MP	N/A	AP2016		438
A20N16MPP	N/A	AP2016PP		439
A20N20ALP	A20N20MP	N1A20207	Ham incl. Panel	326
A20N20BLP	A20N20MP	N1A20209	Ham incl. Panel	326
A20N20MP	N/A	AP2020		438
A20N20MPP	N/A	AP2020PP		439
A20N24BLP	A20N24MP	N1A20249	Ham incl. Panel	326
A20NTMA2	N/A	18B220		442
A20P12	N/A	18P1709		436
A20P12G	N/A	18G1709		436
A20P16	N/A	18P1713		436
A20P16C	N/A	F2068		436
A20P16G	N/A	18G1713		436
A20P16PP	N/A	18P1713PP		439
A20P20	N/A	18P1717		436
A20P20G	N/A	18G1717		436
A20P20PP	N/A	18P1717PP		439
A20R166HCLO	N/A	C3R20166HCLO		343

Hoffman + Part No.	Panel = Part No.	Hammond Part No.	Comments	E6 Page
A20R166HCR	N/A	C3R20166HCR		341
A20R208HCLO	N/A	C3R20208HCLO		343
A20R208HCR	N/A	C3R20208HCR		341
A20SA2208LP	A20P20	1447SA8	Ham incl. Panel	149
A20SA2210LP	A20P20	1447SA10	Ham incl. Panel	149
A20T	N/A	18S20		442
A21ABA	N/A	AK1494FD		182
A21ABVA	N/A	AKU		182
A21BAP	N/A	BPAK		182
A241206LP	A12P24	1418AR6	Ham incl. Panel	33
A241208LP	A12P24	1418AR8	Ham incl. Panel	33
A241210LP	A12P24	1418AR10	Ham incl. Panel	34
A241606LP	A24P16	1418H6	Ham incl. Panel	33
A241608LP	A24P16	1418H8	Ham incl. Panel	33
A242006LP	A24P20	1418E6	Ham incl. Panel	33
A242008LP	A24P20	1418E8	Ham incl. Panel	33
A242010LP	A24P20	1418E10	Ham incl. Panel	34
A242012LP	A24P20	1418E12	Ham incl. Panel	34
A242016LP	A24P20	1418E16	Ham incl. Panel	34
A242406LP	A24P24	1418J6	Ham incl. Panel	33
A242408LP	A24P24	1418J8	Ham incl. Panel	33
A242410LP	A24P24	1418J10	Ham incl. Panel	34
A242412LP	A24P24	1418J12	Ham incl. Panel	34
A242416LP	A24P24	1418J16	Ham incl. Panel	34
A243008LP	A30P24	1418KR8	Ham incl. Panel	33
A244208WFLP	A42P24	1422P8	Ham incl. Panel	38
A244808WFLP	A48P24	1422PW8	Ham incl. Panel	38
A24C20ALP	A24P20	1418JE7	Ham incl. Panel	18
A24C20BLP	A24P20	1418JE9	Ham incl. Panel	18
A24C24ALP	A24P24	1418JJ7	Ham incl. Panel	18
A24C24BLP	A24P24	1418JJ9	Ham incl. Panel	18
A24C24CLP	A24P24	1418JJ11	Ham incl. Panel	18
A24H12ALP	A12P24	1418N4AR6	Ham incl. Panel	36
A24H1608SS6LP	A24P16	1418N4S16H8	Ham incl. Panel	91
A24H1608SSLP	A24P16	1418N4SSH8	Ham incl. Panel	91
A24H16ALP	A24P16	1418N4H6	Ham incl. Panel	36
A24H2006ALLP	A24P20	1418N4ALE6	Ham incl. Panel	70
A24H2006SS6LP	A24P20	1418N4S16E6	Ham incl. Panel	91
A24H2006SSLP	A24P20	1418N4SSE6	Ham incl. Panel	91
A24H2008GQRLP	N/A	PJ24208RL	Functional Cross	125
A24H2008SS6LP	A24P20	1418N4S16E8	Ham incl. Panel	91
A24H2008SSLP	A24P20	1418N4SSE8	Ham incl. Panel	91
A24H2010ALLP	A24P20	1418N4ALE10	Ham incl. Panel	70
A24H2010GQRLP	N/A	PJ242010RL	Functional Cross	125
A24H2010SS6LP	A24P20	1418N4S16E10	Ham incl. Panel	92
A24H2010SSLP	A24P20	1418N4SSE10	Ham incl. Panel	92
A24H20ALP	A24P20	1418N4E6	Ham incl. Panel	36
A24H20BLP	A24P20	1418N4E8	Ham incl. Panel	36
A24H20CLP	A24P20	1418N4E10	Ham incl. Panel	36
A24H2406SS6LP	A24P24	1418N4S16J6	Ham incl. Panel	91
A24H2406SSLP	A24P24	1418N4SSJ6	Ham incl. Panel	91
A24H2408ALLP	A24P24	1418N4ALJ8	Ham incl. Panel	70
A24H2408GQRLP	N/A	PJ24248RL	Functional Cross	125
A24H2408SS6LP	A24P24	1418N4S16J8	Ham incl. Panel	91
A24H2408SSLP	A24P24	1418N4SSJ8	Ham incl. Panel	91
A24H2412SS6LP	A24P24	1418N4S16J12	Ham incl. Panel	92
A24H2412SSLP	A24P24	1418N4SSJ12	Ham incl. Panel	92
A24H24ALP	A24P24	1418N4J6	Ham incl. Panel	36
A24H24BLP	A24P24	1418N4J8	Ham incl. Panel	36
A24H3008SS6LP	A30P24	1418N4S16KR8	Ham incl. Panel	91
A24H3008SSLP	A30P24	1418N4SSKR8	Ham incl. Panel	91
A24H30BLP	A30P24	1418N4KR8	Ham incl. Panel	36
A24H4208WFSSLP3PT	A42P24	HN4WM24428SS	Ham incl. Panel	94

Functional Cross indicates that the product performs the same function, but may have some dimensional and/or construction differences.
Ham incl. Panel - Hammond enclosure includes panel

This Cross Reference is a guide only. Products may not be exactly the same and it is user's responsibility to verify details for acceptable substitution. Hammond is not responsible for cross reference errors.

Hoffman to Hammond Cross Reference

Hoffman + Part No.	Panel = Part No.	Hammond Part No.	Comments	E6 Page
A24H4808WFSSLP3PT	A48P24	HN4WM24488SS	Ham incl. Panel	94
A24HS2108LP	A24P20	1447SN4B8	Ham incl. Panel	154
A24HS2108SSLP	A24P20	1447SN4SSB8	Ham incl. Panel	158
A24HS2508LP	A24P24	1447SN4C8	Ham incl. Panel	154
A24HS2508SSLP	A24P24	1447SN4SSC8	Ham incl. Panel	158
A24N16ALP	A24N16MP	N1A24167	Ham incl. Panel	326
A24N16MP	N/A	AP2416		438
A24N16MPP	N/A	AP2416PP		439
A24N20ALP	A24N20MP	N1A24207	Ham incl. Panel	326
A24N20BLP	A24N20MP	N1A24209	Ham incl. Panel	326
A24N20CLP	A24N20MP	N1A242012	Ham incl. Panel	326
A24N20MP	N/A	AP2420		438
A24N20MPP	N/A	AP2420PP		439
A24N24ALP	A24N24MP	N1A24247	Ham incl. Panel	326
A24N24BLP	A24N24MP	N1A24249	Ham incl. Panel	326
A24N24DLP	A24N24MP	N1A242412	Ham incl. Panel	326
A24N24MP	N/A	AP2424		438
A24N24MPP	N/A	AP2424PP		439
A24NTMA2	N/A	18B224		442
A24NTMA3	N/A	18B324		442
A24P16	N/A	18P2113		436
A24P16G	N/A	18G2113		436
A24P20	N/A	18P2117		436
A24P20C	N/A	F2420		138
A24P20G	N/A	18G2117		436
A24P20PP	N/A	18P2117PP		439
A24P24	N/A	18P2121		436
A24P24C	N/A	F2424		138
A24P24G	N/A	18G2121		436
A24P24PP	N/A	18P2121PP		439
A24R126	N/A	C3R24126SC		336
A24R168	N/A	C3R24168SC		336
A24R1810	N/A	C3R241810SC		336
A24R186	N/A	C3R24186SC		336
A24R188	N/A	C3R24188SC		336
A24R208	N/A	C3R24208SC		336
A24R208HCLO	N/A	C3R24208HCLO		343
A24R208HCR	N/A	C3R24208HCR		341
A24R2410	N/A	C3R242410SC		336
A24R2410HCR	N/A	C3R242410HCR		341
A24R2412	N/A	C3R242412SC		336
A24R246	N/A	C3R24246SC		336
A24R248	N/A	C3R24248SC		336
A24R248HCLO	N/A	C3R24248HCLO		343
A24R248HCR	N/A	C3R24248HCR		341
A24R88	N/A	C3R2488SC		336
A24SA2208LP	A24P20	1447SB8	Ham incl. Panel	149
A24SA2210LP	A24P20	1447SB10	Ham incl. Panel	149
A24SA2608LP	A24P24	1447SC8	Ham incl. Panel	149
A24SA2610LP	A24P24	1447SC10	Ham incl. Panel	149
A24SBASE	N/A	1495XN		454
A24T	N/A	18S24		442
A301606LP	A30P16	1418FG6	Ham incl. Panel	33
A302006LP	A30P20	1418F6	Ham incl. Panel	33
A302008LP	A30P20	1418F8	Ham incl. Panel	33
A302010LP	A30P20	1418F10	Ham incl. Panel	34
A302406LP	A30P24	1418K6	Ham incl. Panel	33
A302408LP	A30P24	1418K8	Ham incl. Panel	33
A302410LP	A30P24	1418K10	Ham incl. Panel	34
A302412LP	A30P24	1418K12	Ham incl. Panel	34
A302416LP	A30P24	1418K16	Ham incl. Panel	34
A302420LP	A30P24	1418K20	Ham incl. Panel	34
A302424LP	A30P24	1418K24	Ham incl. Panel	34

Hoffman + Part No.	Panel = Part No.	Hammond Part No.	Comments	E6 Page
A303008LP	A30P30	1418KK8	Ham incl. Panel	33
A303012LP	A30P30	1418KK12	Ham incl. Panel	34
A303608LP	A36P30	1418MR8	Ham incl. Panel	33
A304210WFLP	A42P30	1422R10	Ham incl. Panel	38
A304810WFLP	A48P30	1422RW10	Ham incl. Panel	38
A306010WFLP	A60P30	1422RX10	Ham incl. Panel	38
A30C20ALP	A30P20	1418JF7	Ham incl. Panel	18
A30C20BLP	A30P20	1418JF9	Ham incl. Panel	18
A30C24ALP	A30P24	1418JK7	Ham incl. Panel	18
A30C24BLP	A30P24	1418JK9	Ham incl. Panel	18
A30C24DLP	A30P24	1418JK13	Ham incl. Panel	18
A30H2008SS6LP	A30P20	1418N4S16F8	Ham incl. Panel	91
A30H2008SSLP	A30P20	1418N4SSF8	Ham incl. Panel	91
A30H20ALP	A30P20	1418N4F6	Ham incl. Panel	36
A30H20BLP	A30P20	1418N4F8	Ham incl. Panel	36
A30H2406GQRLP	N/A	PHW30247	Functional Cross	144
A30H2408ALLP	A30P24	1418N4ALK8	Ham incl. Panel	70
A30H2408GQRLP	N/A	PJ30248RL	Functional Cross	125
A30H2408SS6LP	A30P24	1418N4S16K8	Ham incl. Panel	91
A30H2408SSLP	A30P24	1418N4SSK8	Ham incl. Panel	91
A30H2410GQRLP	N/A	PJ302410RL	Functional Cross	125
A30H2410SS6LP	A30P24	1418N4S16K10	Ham incl. Panel	92
A30H2410SSLP	A30P24	1418N4SSK10	Ham incl. Panel	92
A30H2412ALLP	A30P24	1418N4ALK12	Ham incl. Panel	70
A30H2412GQRLP	N/A	PHW302412	Functional Cross	144
A30H2412SS6LP	A30P24	1418N4S16K12	Ham incl. Panel	92
A30H2412SSLP	A30P24	1418N4SSK12	Ham incl. Panel	92
A30H2416SS6LP	A30P24	1418N4S16K16	Ham incl. Panel	92
A30H2416SSLP	A30P24	1418N4SSK16	Ham incl. Panel	92
A30H24ALP	A30P24	1418N4K6	Ham incl. Panel	36
A30H24BLP	A30P24	1418N4K8	Ham incl. Panel	36
A30H24CLP	A30P24	1418N4K10	Ham incl. Panel	36
A30H24DLP	A30P24	1418N4K12	Ham incl. Panel	36
A30H3008SS6LP	A30P30	1418N4S16KK8	Ham incl. Panel	91
A30H3008SSLP	A30P30	1418N4SSKK8	Ham incl. Panel	91
A30H30BLP	A30P30	1418N4KK8	Ham incl. Panel	36
A30H4210WFSSLP3PT	A42P30	HN4WM304210SS	Ham incl. Panel	94
A30H4810WFSSLP3PT	A48P30	HN4WM304810SS	Ham incl. Panel	94
A30H6010WFSSLP3PT	A60P30	HN4WM306010SS	Ham incl. Panel	94
A30HS2508LP	A30P24	1447SN4E8	Ham incl. Panel	154
A30HS2508SSLP	A30P24	1447SN4SSE8	Ham incl. Panel	158
A30N20ALP	A30N20MP	N1A30207	Ham incl. Panel	326
A30N20BLP	A30N20MP	N1A30209	Ham incl. Panel	326
A30N20MPP	N/A	AP3020PP		439
A30N24ALP	A30N24MP	N1A30247	Ham incl. Panel	326
A30N24BLP	A30N24MP	N1A30249	Ham incl. Panel	326
A30N24DLP	A30N24MP	N1A302412	Ham incl. Panel	326
A30N24MP	N/A	AP3024		438
A30N24MPP	N/A	AP3024PP		439
A30N30BLP	A30N30MP	N1A30309	Ham incl. Panel	326
A30N30MPP	N/A	AP3030PP		439
A30NTMA2	N/A	18B230		442
A30NTMA3	N/A	18B330		442
A30P16	N/A	18P2713		436
A30P16G	N/A	18G2713		436
A30P20	N/A	18P2717		436
A30P20G	N/A	18G2717		436
A30P24	N/A	18P2721		436
A30P24C	N/A	F3024		138
A30P24G	N/A	18G2721		436
A30P24PP	N/A	18P2721PP		439
A30P30	N/A	18P2727		436
A30P30G	N/A	18G2727		436

Cross Reference

Functional Cross indicates that the product performs the same function, but may have some dimensional and/or construction differences.
Ham incl. Panel - Hammond enclosure includes panel

Hoffman to Hammond Cross Reference

This Cross Reference is a guide only. Products may not be exactly the same and it is user's responsibility to verify details for acceptable substitution. Hammond is not responsible for cross reference errors.

Hoffman + Part No.	Panel = Part No.	Hammond Part No.	Comments	E6 Page
A30P30PP	N/A	18P2727PP		439
A30R2410	N/A	C3R302410SC		336
A30R2410HCR	N/A	C3R302410HCR		341
A30R248	N/A	C3R30248SC		336
A30R248HCLO	N/A	C3R30248HCLO		343
A30R248HCR	N/A	C3R30248HCR		341
A30R3012	N/A	C3R303012SC		336
A30R3012HCR	N/A	C3R303012HCR		342
A30R3016	N/A	C3R303016SC		336
A30R3016HCR	N/A	C3R303016HCR		342
A30R308HCR	N/A	C3R30308HCR		341
A30SA2208LP	A30P20	1447SD8	Ham incl. Panel	149
A30SA2210LP	A30P20	1447SD10	Ham incl. Panel	149
A30SA2608LP	A30P24	1447SE8	Ham incl. Panel	149
A30SA2610LP	A30P24	1447SE10	Ham incl. Panel	149
A30SA2612LP	A30P24	1447SE12	Ham incl. Panel	149
A30T	N/A	18S30		442
A32N34HQ	N/A	CMCQP2		317
A362406LP	A36P24	1418L6	Ham incl. Panel	33
A362408LP	A36P24	1418L8	Ham incl. Panel	33
A362410LP	A36P24	1418L10	Ham incl. Panel	34
A362412LP	A36P24	1418L12	Ham incl. Panel	34
A363006LP	A36P30	1418M6	Ham incl. Panel	33
A363008LP	A36P30	1418M8	Ham incl. Panel	33
A363010LP	A36P30	1418M10	Ham incl. Panel	34
A363012LP	A36P30	1418M12	Ham incl. Panel	34
A363016LP	A36P30	1418M16	Ham incl. Panel	34
A363020LP	A36P30	1418M20	Ham incl. Panel	34
A363608LP	A36P36	1418LL8	Ham incl. Panel	33
A363612LP	A36P36	1418LL12	Ham incl. Panel	34
A364212WFLP	A42P36	1422UV12	Ham incl. Panel	38
A364812WFLP	A48P36	1422UW12	Ham incl. Panel	38
A366012WFLP	A60P36	1422UX12	Ham incl. Panel	38
A36C24ALP	A36P24	1418JL7	Ham incl. Panel	18
A36C24BLP	A36P24	1418JL9	Ham incl. Panel	18
A36C24CLP	A36P24	1418JL11	Ham incl. Panel	18
A36C30BLP	A36P30	1418JM9	Ham incl. Panel	18
A36C30DLP	A36P30	1418JM13	Ham incl. Panel	18
A36H2408SS6LP	A36P24	1418N4S16L8	Ham incl. Panel	91
A36H2408SSLP	A36P24	1418N4SSL8	Ham incl. Panel	91
A36H2410SS6LP	A36P24	1418N4S16L10	Ham incl. Panel	92
A36H2410SSLP	A36P24	1418N4SSL10	Ham incl. Panel	92
A36H244ALP	A36P24	1418N4L6	Ham incl. Panel	36
A36H24BLP	A36P24	1418N4L8	Ham incl. Panel	36
A36H3008ALLP	A36P30	1418N4ALM8	Ham incl. Panel	70
A36H3008SS6LP	A36P30	1418N4S16M8	Ham incl. Panel	91
A36H3008SSLP	A36P30	1418N4SSM8	Ham incl. Panel	91
A36H3010SS6LP	A36P30	1418N4S16M10	Ham incl. Panel	92
A36H3010SSLP	A36P30	1418N4SSM10	Ham incl. Panel	92
A36H3012ALLP	A36P30	1418N4ALM12	Ham incl. Panel	70
A36H3012GQRLP	N/A	PHW363012	Functional Cross	144
A36H3012SS6LP	A36P30	1418N4S16M12	Ham incl. Panel	92
A36H3012SSLP	A36P30	1418N4SSM12	Ham incl. Panel	92
A36H3016SS6LP	A36P30	1418N4S16M16	Ham incl. Panel	92
A36H3016SSLP	A36P30	1418N4SSM16	Ham incl. Panel	92
A36H30BLP	A36P30	1418N4M8	Ham incl. Panel	36
A36H30CLP	A36P30	1418N4M10	Ham incl. Panel	36
A36H30DLP	A36P30	1418N4M12	Ham incl. Panel	36
A36H30FLP	A36P30	1418N4M16	Ham incl. Panel	36
A36H3612SS6LP	A36P36	1418N4S16LL12	Ham incl. Panel	92
A36H3612SSLP	A36P36	1418N4SLL12	Ham incl. Panel	92
A36H4212WFSSLP3PT	A42P36	HN4WM364212SS	Ham incl. Panel	94
A36H4812WFSSLP3PT	A48P36	HN4WM364812SS	Ham incl. Panel	94

Hoffman + Part No.	Panel = Part No.	Hammond Part No.	Comments	E6 Page
A36H6012WFSSLP3PT	A60P36	HN4WM366012SS	Ham incl. Panel	94
A36HS2508LP	A36P24	1447SN4F8	Ham incl. Panel	154
A36HS2508SSLP	A36P24	1447SN4SSF8	Ham incl. Panel	158
A36HS3108LP	A36P30	1447SN4G8	Ham incl. Panel	154
A36HS3108SSLP	A36P30	1447SN4SSG8	Ham incl. Panel	158
A36N24ALP	A36N24MP	N1A36247	Ham incl. Panel	326
A36N24BLP	A36N24MP	N1A36249	Ham incl. Panel	326
A36N24MP	N/A	AP3624		438
A36N24MPP	N/A	AP3624PP		439
A36N30ALP	A36N30MP	N1A36307	Ham incl. Panel	326
A36N30BLP	A36N30MP	N1A36309	Ham incl. Panel	326
A36N30DLP	A36N30MP	N1A363012	Ham incl. Panel	326
A36N30MPP	N/A	AP3630PP		439
A36NTMA2	N/A	18B236		442
A36NTMA3	N/A	18B336		442
A36P24	N/A	18P3321		436
A36P24G	N/A	18G3321		436
A36P24PP	N/A	18P3321PP		439
A36P30	N/A	18P3327		436
A36P30G	N/A	18G3327		436
A36P30PP	N/A	18P3327PP		439
A36P36	N/A	18P3333		436
A36P36G	N/A	18G3333		436
A36P36PP	N/A	18P3333PP		439
A36R2412HCR	N/A	C3R362412HCR		342
A36R3012	N/A	C3R363012SC		336
A36R3012HCR	N/A	C3R363012HCR		342
A36R3610HCR	N/A	C3R363610HCR		342
A36R3612	N/A	C3R363612SC		336
A36R3612HCR	N/A	C3R363612HCR		342
A36SA2608LP	A36P24	1447SF8	Ham incl. Panel	149
A36SA2610LP	A36P24	1447SF10	Ham incl. Panel	149
A36SA3208LP	A36P30	1447SG8	Ham incl. Panel	149
A36SA3210LP	A36P30	1447SG10	Ham incl. Panel	149
A36SA3212LP	A36P30	1447SG12	Ham incl. Panel	149
A36SA3216LP	A36P30	1447SG16	Ham incl. Panel	149
A36T	N/A	18S36		442
A4044CH	N/A	1414PHA4		10
A4044CHFL	N/A	EJ444		4
A4044LP	N/A	1414A4		6
A404CH	N/A	1414PHA		10
A404CHFL	N/A	EJ443		4
A404CHNF	N/A	1414N4PHA		12
A404LP	N/A	1414A		6
A404NF	N/A	1414N4A		8
A404NFSS	N/A	1414N4SSA		76
A404SC	N/A	1414SCA		14
A422408LP	A42P24	1418N8	Ham incl. Panel	33
A423008LP	A42P30	1418O8	Ham incl. Panel	33
A423010LP	A42P30	1418O10	Ham incl. Panel	34
A423012LP	A42P30	1418O12	Ham incl. Panel	34
A423608LP	A42P36	1418P8	Ham incl. Panel	33
A423610LP	A42P36	1418P10	Ham incl. Panel	34
A423612LP	A42P36	1418P12	Ham incl. Panel	34
A423616LP	A42P36	1418P16	Ham incl. Panel	34
A424212WFLP	A42P42	1422VV12	Ham incl. Panel	38
A424812WFLP	A48P42	1422VW12	Ham incl. Panel	38
A426012WFLP	A60BFP42	1422VX12	Ham incl. Panel	38
A42H3010SS6LP	A42P30	1418N4S16O10	Ham incl. Panel	92
A42H3010SSLP	A42P30	1418N4SSO10	Ham incl. Panel	92
A42H30BLP	A42P30	1418N4O8	Ham incl. Panel	36
A42H3608SS6LP	A42P30	1418N4S16P8	Ham incl. Panel	92
A42H3608SSLP	A42P36	1418N4SSP8	Ham incl. Panel	92

Functional Cross indicates that the product performs the same function, but may have some dimensional and/or construction differences.
Ham incl. Panel - Hammond enclosure includes panel

Cross Reference

This Cross Reference is a guide only. Products may not be exactly the same and it is user's responsibility to verify details for acceptable substitution. Hammond is not responsible for cross reference errors.

Hoffman to Hammond Cross Reference

Hoffman + Part No.	Panel = Part No.	Hammond Part No.	Comments	E6 Page
A42H36BLP	A42P36	1418N4P8	Ham incl. Panel	36
A42H4212WFSSLP3PT	A42P42	HN4WM424212SS	Ham incl. Panel	94
A42H4812WFSSLP3PT	A48P42	HN4WM424812SS	Ham incl. Panel	94
A42H6012WFSSLP3PT	A60BFP42	HN4WM426012SS	Ham incl. Panel	94
A42HS3112LP	A42P30	1447SN4H12	Ham incl. Panel	154
A42HS3112SSLP	A42P30	1447SN4SSH12	Ham incl. Panel	158
A42HS3712LP	A42P36	1447SN4J12	Ham incl. Panel	154
A42HS3712SSLP	A42P36	1447SN4SSJ12	Ham incl. Panel	158
A42N24BLP	A42N24MP	N1A42249	Ham incl. Panel	326
A42N3013	A42P30	N1A423012	Ham incl. Panel	326
A42N3613	A42P36	N1A423612	Ham incl. Panel	326
A42P24	N/A	18P3921		436
A42P24G	N/A	18G3921		436
A42P30	N/A	18P3927		436
A42P30G	N/A	18G3927		436
A42P36	N/A	18P3933		436
A42P36G	N/A	18G3933		436
A42R3012HCR	N/A	C3R423012HCR		342
A42R3612HCR	N/A	C3R423612HCR		342
A42SA3208LP	A42P30	1447SH8	Ham incl. Panel	149
A42SA3210LP	A42P30	1447SH10	Ham incl. Panel	149
A42SA3212LP	A42P30	1447SH12	Ham incl. Panel	149
A42SA3808LP	A42P36	1447SJ8	Ham incl. Panel	149
A42SA3810LP	A42P36	1447SJ10	Ham incl. Panel	149
A42SA3812LP	A42P36	1447SJ12	Ham incl. Panel	149
A42T	N/A	18S42		442
A4412RT	N/A	C3RWT412		296
A4418RT	N/A	C3RWT418		296
A4424RT	N/A	C3RWT424		296
A4436RT	N/A	C3RWT436		296
A4448RT	N/A	C3RWT448		296
A4460RT	N/A	C3RWT460		296
A4472RT	N/A	C3RWT472		296
A44CCOL	N/A	1495C35		454
A482408LP	A48P24	1418Q8	Ham incl. Panel	33
A483008LP	A48P30	1418R8	Ham incl. Panel	33
A483010LP	A48P30	1418R10	Ham incl. Panel	34
A483608LP	A48P36	1418S8	Ham incl. Panel	33
A483610LP	A48P36	1418S10	Ham incl. Panel	34
A483612LP	A48P36	1418S12	Ham incl. Panel	34
A483616LP	A48P36	1418S16	Ham incl. Panel	34
A483620LP	A48P36	1418S20	Ham incl. Panel	34
A484812WFLP	A48P48	1422WW12	Ham incl. Panel	38
A48C36CLP	A48P36	1418JS11	Ham incl. Panel	18
A48H30CLP	A48P30	1418N4R10	Ham incl. Panel	36
A48H3608ALLP	A48P36	1418N4ALS8	Ham incl. Panel	70
A48H3608SS6LP	A48P36	1418N4S16S8	Ham incl. Panel	92
A48H3608SSLP	A48P36	1418N4SSS8	Ham incl. Panel	92
A48H3610SS6LP	A48P36	1418N4S16S10	Ham incl. Panel	92
A48H3610SSLP	A48P36	1418N4SSS10	Ham incl. Panel	92
A48H3612GQRLP	N/A	PJW483610L	Functional Cross	139
A48H3612SS6LP	A48P36	1418N4S16S12	Ham incl. Panel	92
A48H3612SSLP	A48P36	1418N4SSS12	Ham incl. Panel	92
A48H3616GQRLP	N/A	PHW483616	Functional Cross	144
A48H3616SS6LP	A48P36	1418N4S16S16	Ham incl. Panel	92
A48H3616SSLP	A48P36	1418N4SSS16	Ham incl. Panel	92
A48H36BLP	A48P36	1418N4S8	Ham incl. Panel	36
A48H36CLP	A48P36	1418N4S10	Ham incl. Panel	36
A48H36DLP	A48P36	1418N4S12	Ham incl. Panel	36
A48H36FLP	A48P36	1418N4S16	Ham incl. Panel	36
A48H4812WFSSLP3PT	A48P48	HN4WM484812SS	Ham incl. Panel	94
A48HS3712LP	A48P36	1447SN4K12	Ham incl. Panel	154
A48HS3712SSLP	A48P36	1447SN4SSK12	Ham incl. Panel	158

Hoffman + Part No.	Panel = Part No.	Hammond Part No.	Comments	E6 Page
A48N3611	A48P36	N1A483612	Ham incl. Panel	326
A48N3613	A48P36	1420T12	Ham incl. Panel	328
A48P24	N/A	18P4521		436
A48P24G	N/A	18G4521		436
A48P30	N/A	18P4527		436
A48P30G	N/A	18G4527		436
A48P36	N/A	18P4533		436
A48P36G	N/A	18G4533		436
A48R3612HCR	N/A	C3R483612HCR		342
A48R3616	N/A	C3R483616SC		336
A48R3616HCR	N/A	C3R483616HCR		342
A48R368	N/A	C3R48368SC		336
A48SA3808LP	A48P36	1447SK8	Ham incl. Panel	149
A48SA3810LP	A48P36	1447SK10	Ham incl. Panel	149
A48SA3812LP	A48P36	1447SK12	Ham incl. Panel	149
A48SA3816LP	A48P36	1447SK16	Ham incl. Panel	149
A48T	N/A	18S48		442
A4AXFN	N/A	FAN10A115		390
A4R44	N/A	C3R444SC		336
A544208LP	A54P42	1422A8F	Ham incl. Panel	40
A54P42	N/A	22P5038		437
A602418FS	N/A	1418TW18		48
A602418SFSFN4	N/A	HN4FS602418SS		106
A603608LP	A60P36	1418T8	Ham incl. Panel	33
A603610LP	A60P36	1418T10	Ham incl. Panel	34
A603612LP	A60P36	1418T12	Ham incl. Panel	34
A603616LP	A60P36	1418T16	Ham incl. Panel	34
A603620LP	A60P36	1418T20	Ham incl. Panel	34
A603624FS	N/A	1418TY24		48
A603624SFSFN4	N/A	HN4FS603624SS		106
A6044CH	A6P4	1414PHC4	Ham incl. Panel	10
A6044CHFL	A6P4	EJ644	Ham incl. Panel	4
A6044CHNFSS	A6P4	1414N4PHSSC4	Ham incl. Panel	74
A6044CHNFSS6	A6P4	1414N4PHS16C4	Ham incl. Panel	74
A6044LP	A6P4	1414C4	Ham incl. Panel	6
A6044NFSS	A6P4	1414N4SSC4	Ham incl. Panel	76
A604808LP	A60P48	1422B8F	Ham incl. Panel	40
A604810LP	A60P48	1422B10F	Ham incl. Panel	40
A604812LP	A60P48	1422B12F	Ham incl. Panel	40
A604816LP	A60P48	1422B16F	Ham incl. Panel	40
A604818FSD	N/A	1418AW18		56
A604820LP	A60P48	1422B20F	Ham incl. Panel	40
A604824LP	A60P48	1422B24F	Ham incl. Panel	40
A604CH	A6P4	1414PHC	Ham incl. Panel	10
A604CHFL	A6P4	EJ643	Ham incl. Panel	4
A604CHNF	A6P4	1414N4PHC	Ham incl. Panel	12
A604LP	A6P4	1414C	Ham incl. Panel	6
A604NF	A6P4	1414N4C	Ham incl. Panel	8
A604NFAL	A6P4	1414N4ALC	Ham incl. Panel	64
A604SC	A6P4	1414SCC	Ham incl. Panel	14
A606010LP	A60P60	1422D10F	Ham incl. Panel	40
A606012LP	A60P60	1422D12F	Ham incl. Panel	40
A606016LP	A60P60	1422D16F	Ham incl. Panel	40
A606024LP	A60P60	1422D24F	Ham incl. Panel	40
A606CH	A6P6	1414PHE	Ham incl. Panel	10
A606CHFL	A6P6	EJ664	Ham incl. Panel	4
A606CHNF	A6P6	1414N4PHE	Ham incl. Panel	12
A606CHNFSS	A6P6	1414N4PHSSE	Ham incl. Panel	74
A606CHNFSS6	A6P6	1414N4PHS16E	Ham incl. Panel	74
A606LP	A6P6	1414E	Ham incl. Panel	6
A606NF	A6P6	1414N4E	Ham incl. Panel	8
A606NFAL	A6P6	1414N4ALE	Ham incl. Panel	64
A606NFSS	A6P6	1414N4SSE	Ham incl. Panel	76

Cross Reference

Functional Cross indicates that the product performs the same function, but may have some dimensional and/or construction differences.
Ham incl. Panel - Hammond enclosure includes panel

Hoffman to Hammond Cross Reference

This Cross Reference is a guide only. Products may not be exactly the same and it is user's responsibility to verify details for acceptable substitution. Hammond is not responsible for cross reference errors.

Hoffman + Part No.	Panel = Part No.	Hammond Part No.	Comments	E6 Page
A606SC	A6P6	1414SCE	Ham incl. Panel	14
A60CPX4812LPFTC	A60P48	2UDCP604912FFTC	Ham incl. Panel	166
A60CPX6012LPFTC	A60P60	2UDCP606112FFTC	Ham incl. Panel	166
A60FSCPS	N/A	1418ACS		57
A60H3612ALLP	A60P36	1418N4ALT12	Ham incl. Panel	70
A60H3612GQRLP	N/A	PJW603610L	Hoffman Deeper	139
A60H3612SS6LP	A60P36	1418N4S16T12	Ham incl. Panel	92
A60H3612SSLP	A60P36	1418N4SST12	Ham incl. Panel	92
A60H3616GQRLP	N/A	PHW603616	Functional Cross	144
A60H3616SS6LP	A60P36	1418N4S16T16	Ham incl. Panel	92
A60H3616SSLP	A60P36	1418N4SST16	Ham incl. Panel	92
A60H36BLP	A60P36	1418N4T8	Ham incl. Panel	36
A60H36CLP	A60P36	1418N4T10	Ham incl. Panel	36
A60H36FLP	A60P36	1418N4T16	Ham incl. Panel	36
A60H4812SSLPQT	A60P48	1422N4SSB12FQT	Ham incl. Panel	98
A60H6012SSLPQT	A60P60	1422N4SSD12FQT	Ham incl. Panel	98
A60HS3712LP	A60P36	1447SN4L12	Ham incl. Panel	154
A60HS3712SSLP	A60P36	1447SN4SSL12	Ham incl. Panel	158
A60P24F1	N/A	60TWFVW		57
A60P24F1G	N/A	60TWFVWG		57
A60P24F2	N/A	60TWHVW		57
A60P24F2G	N/A	60TWHVWG		57
A60P24G	N/A	18P5721		141
A60P30G	N/A	18G5733		436
A60P36	N/A	18P5733		436
A60P36F1	N/A	60TYFW		57
A60P36F1G	N/A	60TYFWG		57
A60P36F2	N/A	60TYHW		57
A60P36F2G	N/A	60TYHWG		57
A60P48	N/A	22P5644		437
A60P48F1	N/A	60AWFW		57
A60P48F1G	N/A	60AWFWG		57
A60P60	N/A	22P5656		437
A60R3612HCR	N/A	C3R603612HCR		342
A60RP24F5	N/A	1418TFHP		58
A60RP24F6	N/A	1418THHP		58
A60SA3808LP	A60P36	1447SL8	Ham incl. Panel	149
A60SA3810LP	A60P36	1447SL10	Ham incl. Panel	149
A60SA3812A24LP	A60P36	1447S46L12	Ham incl. Panel	149
A60SA3812LP	A60P36	1447SL12	Ham incl. Panel	149
A60SA3816LP	A60P36	1447SL16	Ham incl. Panel	149
A60SMP14	N/A	60FD14		57
A60T	N/A	18S60		442
A60X4912LPFTC	A60P48	2UD605012FFTC	Ham incl. Panel	164
A60X4918LPFTC	A60P48	2UD605018FFTC	Ham incl. Panel	164
A60X6112LPFTC	A60P60	2UD606212FFTC	Ham incl. Panel	164
A60X6118LPFTC	A60P60	2UD606218FFTC	Ham incl. Panel	164
A62H4810LP3PT	A60P48	HN4FM604810	Ham incl. Panel	46
A62H4812SS6LP	A60P48	1422N4S16B12F	Ham incl. Panel	96
A62H4812SS6LP3PT	A60P48	HN4FM604812S16	Ham incl. Panel	100
A62H4812SSLP	A60P48	1422N4SSB12F	Ham incl. Panel	96
A62H4812SSLP3PT	A60P48	HN4FM604812SS	Ham incl. Panel	100
A62H4818SS6LP3PT	A60P48	HN4FM604818S16	Ham incl. Panel	100
A62H4818SSLP3PT	A60P48	HN4FM604818SS	Ham incl. Panel	100
A62H48CLP	A60P48	1422N4B10F	Ham incl. Panel	42
A62H6012LP3PT	A60P60	HN4FM606012	Ham incl. Panel	46
A62H6012SS6LP	A60P60	1422N4S16D12F	Ham incl. Panel	96
A62H6012SS6LP3PT	A60P60	HN4FM606012S16	Ham incl. Panel	100
A62H6012SSLP	A60P60	1422N4SSD12F	Ham incl. Panel	96
A62H6012SSLP3PT	A60P60	HN4FM606012SS	Ham incl. Panel	100
A62H60DLP	A60P60	1422N4D12F	Ham incl. Panel	42
A62N17HQ	N/A	CMCQP1		317
A65N38HQ	N/A	CMCQP3		317

Hoffman + Part No.	Panel = Part No.	Hammond Part No.	Comments	E6 Page
A6612RT	N/A	C3RWT612		296
A6618RT	N/A	C3RWT618		296
A6624RT	N/A	C3RWT624		296
A6636RT	N/A	C3RWT636		296
A6648RT	N/A	C3RWT648		296
A664CHQRFG	N/A	PJU664L	Also PJ (PJU shown)	129
A664CHQRFGW	N/A	PJU664LW	Also PJ (PJU shown)	137
A664CHSCFG	N/A	PJU664H	Also PJ (PJU shown)	135
A664CHSCFGW	N/A	PJU664HW	Also PJ (PJU shown)	137
A6660RT	N/A	C3RWT660		296
A6672RT	N/A	C3RWT672		296
A66CCOL	N/A	1495D35		454
A6JTMA	N/A	14B6		441
A6N64	A6N6P	N1J664	Ham incl. Panel	324
A6N6P	N/A	N1JP66		340
A6N6PP	N/A	N1JP66PP		439
A6P4	N/A	14R0503		436
A6P4AL	N/A	14A0503		436
A6P4G	N/A	14G0503		436
A6P6	N/A	14R0505		436
A6P6AL	N/A	14A0505		436
A6P6C	N/A	14F0505		436
A6P6G	N/A	14G0505		436
A6R44	N/A	C3R644SC		336
A6R44HCR	N/A	C3R644HCR		340
A6R64	N/A	C3R664SC		336
A6R64HCR	N/A	C3R664HCR		340
A6R66	N/A	C3R666SC		336
A6SPK8C	N/A	PJSP108		138
A722418FS	N/A	1418W18		48
A722418SSFSN4	N/A	HN4FS722418SS		106
A722424FS	N/A	1418W24		48
A722424FSDA	N/A	1418WD24		48
A722424SSFSN4	N/A	HN4FS722424SS		106
A722430FSDA	N/A	1418WD30		48
A722436FSDA	N/A	1418WD36		48
A722525FGFS3PT	N/A	PJFS722525	Functional Cross	141
A723018FS	N/A	1418X18		48
A723018SSFSN4	N/A	HN4FS723018SS		106
A723024FS	N/A	1418X24		48
A723024FSDA	N/A	1418XD24		48
A723024SSFSN4	N/A	HN4FS723024SS		106
A723050F19	N/A	1418SFX		58
A723612LP	A72P36	1418V12	Ham incl. Panel	34
A723618FS	N/A	1418Y18		48
A723618SSFSN4	N/A	HN4FS723618SS		106
A723624FS	N/A	1418Y24		48
A723624FSDA	N/A	1418YD24		48
A723624SSFSN4	N/A	HN4FS723624SS		106
A723630FS	N/A	1418Y30		48
A723630SSFSN4	N/A	HN4FS723630SS		106
A723636FS	N/A	1418Y36		48
A723636FSDA	N/A	1418YD36		48
A723636SSFSN4	N/A	HN4FS723636SS		106
A7236S0F19	N/A	1418SFY		58
A724818FSD	N/A	1418ZW18		56
A724824FSD	N/A	1418ZW24		56
A724824FSDAD	N/A	1418ZW024		56
A724925FGFS3PT	N/A	PJFS724925DD	Functional Cross	141
A726010ULP	A72P60	1422E10F	Ham incl. Panel	40
A726012ULP	A72P60	1422E12F	Ham incl. Panel	40
A726016ULP	A72P60	1422E16F	Ham incl. Panel	40
A726018FSD	N/A	1418ZX18		56

Functional Cross indicates that the product performs the same function, but may have some dimensional and/or construction differences.
Ham incl. Panel - Hammond enclosure includes panel

Cross Reference

This Cross Reference is a guide only. Products may not be exactly the same and it is user's responsibility to verify details for acceptable substitution. Hammond is not responsible for cross reference errors.

Hoffman to Hammond Cross Reference

Hoffman + Part No.	Panel = Part No.	Hammond Part No.	Comments	E6 Page
A726020ULP	A72P60	1422E20F	Ham incl. Panel	40
A726024FSD	N/A	1418ZX24		56
A726024FSDAD	N/A	1418ZXD24		56
A726024ULP	A72P60	1422E24F	Ham incl. Panel	40
A726036FSD	N/A	1418ZX36		56
A726036FSDAD	N/A	1418ZXD36		56
A727210ULP	A72P72	1422F10F	Ham incl. Panel	40
A727212ULP	A72P72	1422F12F	Ham incl. Panel	40
A727216ULP	A72P72	1422F16F	Ham incl. Panel	40
A727218FSD	N/A	1418ZY18		56
A727220ULP	A72P72	1422F20F	Ham incl. Panel	40
A727224FSD	N/A	1418ZY24		56
A727224FSDAD	N/A	1418ZYD24		56
A727224ULP	A72P72	1422F24F	Ham incl. Panel	40
A72CPX7212LPFTC	A72P72	2UDCP727312FFTC	Ham incl. Panel	166
A72CPX7218LPFTC	A72P72	2UDCP727318FFTC	Ham incl. Panel	166
A72FSCPS	N/A	1418ZCS		57
A72H2518FS	N/A	1418N4W18		50
A72H2518FS3PT	N/A	HN4FS722518		54
A72H2518SS6FS	N/A	1418N4S16W18		102
A72H2518SSFS	N/A	1418N4SSW18		102
A72H3124FS	N/A	1418N4X24		50
A72H3124FS3PT	N/A	HN4FS723124		54
A72H3124SS6FS	N/A	1418N4S16X24		102
A72H3124SSFS	N/A	1418N4SSX24		102
A72H3724FS	N/A	1418N4Y24		50
A72H3724FS3PT	N/A	HN4FS723724		54
A72H3724SS6FS	N/A	1418N4S16Y24		102
A72H3724SSFS	N/A	1418N4SSY24		102
A72H6012SSLPQT	A72P60	1422N4SSE12FQT	Ham incl. Panel	98
A72H7212SSLPQT	A72P72	1422N4SSF12FQT	Ham incl. Panel	98
A72H7224SSLPQT	A72P72	1422N4SSF24FQT	Ham incl. Panel	98
A72HS2418LPQT	N/A	1418N4SSW18QT		104
A72HS3024SSLPQT	N/A	1418N4SSX24QT		104
A72HS3624SSLPQT	N/A	1418N4SSY24QT		104
A72P24F1	N/A	72WFW		57
A72P24F1G	N/A	72WFWG		57
A72P24F2	N/A	72WHW		57
A72P24F2G	N/A	72WHWG		57
A72P30F1	N/A	72XFW		57
A72P30F1G	N/A	72XFWG		57
A72P30F2	N/A	72XHW		57
A72P30F2G	N/A	72XHWG		57
A72P36	N/A	18P6933		436
A72P36F1	N/A	72YFW		57
A72P36F1G	N/A	72YFWG		57
A72P36F2	N/A	72YHW		57
A72P36F2G	N/A	72YHWG		57
A72P36G	N/A	18G6933		436
A72P48F1	N/A	72ZWW		57
A72P48F1G	N/A	72ZWWG		57
A72P48F2	N/A	72ZWHW		57
A72P48F2G	N/A	72ZWHWG		57
A72P60	N/A	22P6856		437
A72P60F1	N/A	72ZXF		57
A72P60F1G	N/A	72ZXF		57
A72P60F2	N/A	72ZXHW		57
A72P60F2G	N/A	72ZXHWG		57
A72P72	N/A	22P6868		437
A72P72F1	N/A	72ZYFW		57
A72P72F1G	N/A	72ZYFWG		57
A72P72F2	N/A	72ZYHW		57
A72P72F2G	N/A	72ZYHWG		57

Hoffman + Part No.	Panel = Part No.	Hammond Part No.	Comments	E6 Page
A72RP24F5	N/A	1418WFHP		58
A72RP24F6	N/A	1418WHHP		58
A72RP30F5	N/A	1418XFHP		58
A72RP30F6	N/A	1418XHHP		58
A72SMP14	N/A	72FD14		57
A72SMP20	N/A	72FD20		57
A72X6112LPFTC	A72P60	2UD726212FFTC	Ham incl. Panel	164
A72X6118LPFTC	A72P60	2UD726218FFTC	Ham incl. Panel	164
A72X7312LPFTC	A72P72	2UD727412FFTC	Ham incl. Panel	164
A72X7312LPFTC	A72P72	2UD727412FFTC	Ham incl. Panel	164
A72X7318LPFTC	A72P72	2UD727418FFTC	Ham incl. Panel	164
A72X7324LPFTC	A72P72	2UD727424FFTC	Ham incl. Panel	164
A72XM2818FTC	N/A	1UHD722918FTC	Ham incl. Panel	170
A72XM3418FTC	N/A	1UHD723518FTC	Ham incl. Panel	170
A72XM3EQ18FTC	N/A	3UHD7210118FTC	Ham incl. Panel	172
A72XM3EW18FTC	N/A	3UHD7211918FTC	Ham incl. Panel	172
A72XM4018FTC	N/A	1UHD724118FTC	Ham incl. Panel	170
A72XM5418FTC	N/A	2UHD725518FTC	Ham incl. Panel	171
A72XM6618FTC	N/A	2UHD726718FTC	Ham incl. Panel	171
A72XM7818FTC	N/A	2UHD727918FTC	Ham incl. Panel	171
A72XM7824FTC	N/A	2UHD727924FTC	Ham incl. Panel	171
A74H6012LP3PT	A72P60	HN4FM726012	Ham incl. Panel	46
A74H6012SS6LP	A72P60	1422N4S16E12F	Ham incl. Panel	96
A74H6012SS6LP3PT	A72P60	HN4FM726012S16	Ham incl. Panel	100
A74H6012SSLP	A72P60	1422N4SSE12F	Ham incl. Panel	96
A74H6012SSLP3PT	A72P60	HN4FM726012SS	Ham incl. Panel	100
A74H60DULP	A72P60	1422N4E12F	Ham incl. Panel	42
A74H7212LP3PT	A72P72	HN4FM727212	Ham incl. Panel	46
A74H7212SS6LP	A72P72	1422N4S16F12F	Ham incl. Panel	96
A74H7212SS6LP3PT	A72P72	HN4FM727212S16	Ham incl. Panel	100
A74H7212SSLP	A72P72	1422N4SSF12F	Ham incl. Panel	96
A74H7212SSLP3PT	A72P72	HN4FM727212SS	Ham incl. Panel	100
A74H7224LP3PT	A72P72	HN4FM727224	Ham incl. Panel	46
A74H7224SS6LP	A72P72	1422N4S16F24F	Ham incl. Panel	96
A74H7224SS6LP3PT	A72P72	HN4FM727224S16	Ham incl. Panel	100
A74H7224SSLP	A72P72	1422N4SSF24F	Ham incl. Panel	96
A74H7224SSLP3PT	A72P72	HN4FM727224SS	Ham incl. Panel	100
A74H72DULP	A72P72	1422N4F12F	Ham incl. Panel	42
A74H72JULP	A72P72	1422N4F24F	Ham incl. Panel	42
A8064CHNFSS	A8P6	1414N4PHSSG4	Ham incl. Panel	74
A8064CHNFSS6	A8P6	1414N4PHS16G	Ham incl. Panel	74
A8064NFSS	A8P6	1414N4SSG	Ham incl. Panel	76
A8066CH	A8P6	1414PHG6	Ham incl. Panel	10
A8066CHFL	A8P6	EJ866	Ham incl. Panel	4
A806CH	A8P6	1414PHG	Ham incl. Panel	10
A806CHFL	A8P6	EJ863	Ham incl. Panel	4
A806CHNF	A8P6	1414N4PHG	Ham incl. Panel	12
A806LP	A8P6	1414G	Ham incl. Panel	6
A806NF	A8P6	1414N4G	Ham incl. Panel	5
A806NFAL	A8P6	1414N4ALG	Ham incl. Panel	64
A806SC	A8P6	1414SCG	Ham incl. Panel	14
A808CH	A8P8	1414PHH4	Ham incl. Panel	10
A808CHFL	A8P8	EJ884	Ham incl. Panel	4
A84XM3EW18FTC	N/A	3UHD8411918FTC	Ham incl. Panel	172
A84XM3EW24FTC	N/A	3UHD8411924FTC	Ham incl. Panel	172
A84XM4018FTC	N/A	1UHD844118FTC	Ham incl. Panel	170
A84XM4024FTC	N/A	1UHD844124FTC	Ham incl. Panel	170
A84XM4EW18FTC	N/A	4UHD8415718FTC	Ham incl. Panel	173
A84XM5EW18FTC	N/A	5UHD8419518FTC	Ham incl. Panel	174
A84XM7818FTC	N/A	2UHD847918FTC	Ham incl. Panel	171
A84XM7824FTC	N/A	2UHD847924FTC	Ham incl. Panel	171
A864CHQRFG	N/A	PJU864L	Also PJ (PJU shown)	129
A864CHQRFGW	N/A	PJU864LW	Also PJ (PJU shown)	137

Functional Cross indicates that the product performs the same function, but may have some dimensional and/or construction differences.
Ham incl. Panel - Hammond enclosure includes panel

Hoffman to Hammond Cross Reference

This Cross Reference is a guide only. Products may not be exactly the same and it is user's responsibility to verify details for acceptable substitution. Hammond is not responsible for cross reference errors.

Hoffman + Part No.	Panel = Part No.	Hammond Part No.	Comments	E6 Page
A864CHSCFG	N/A	PJU864H	Also PJ (PJU shown)	135
A864CHSCFGW	N/A	PJU864HW	Also PJ (PJU shown)	137
A86M3E	incl.	1422MD3	Ham incl. Panel	59
A86M3E20	incl.	1422MD320	Ham incl. Panel	59
A86M4E	incl.	1422MD4	Ham incl. Panel	59
A86M4E20	incl.	1422MD420	Ham incl. Panel	59
A86M5E	incl.	1422MD5	Ham incl. Panel	59
A86M5E20	incl.	1422MD520	Ham incl. Panel	59
A88116RT	N/A	C3RWT8116		296
A8812RT	N/A	C3RWT812		296
A8824RT	N/A	C3RWT824		296
A8836RT	N/A	C3RWT836		296
A8848RT	N/A	C3RWT848		296
A8860RT	N/A	C3RWT860		296
A8872RT	N/A	C3RWT872		296
A8896RT	N/A	C3RWT896		296
A8JS	N/A	14S8		441
A8JTMA	N/A	14B8		441
A8N64	A8N6P	N1J864	Ham incl. Panel	324
A8N6P	N/A	N1JP86		340
A8N6PP	N/A	N1JP86PP		439
A8N84	A8N8P	N1J884	Ham incl. Panel	324
A8N86	A8N8P	N1J886	Ham incl. Panel	324
A8N8P	N/A	N1JP88		340
A8N8PP	N/A	N1JP88PP		439
A8P6	N/A	14R0705		436
A8P6AL	N/A	14A0705		436
A8P6C	N/A	14F0705		436
A8P6G	N/A	14G0705		436
A8P8	N/A	14R0707		436
A8P8AL	N/A	14A0707		436
A8P8G	N/A	14G0707		436
A8R64	N/A	C3R864SC		336
A8R64HCLO	N/A	C3R864HCLO		343
A8R64HCR	N/A	C3R864HCR		340
A8R84	N/A	C3R884SC		336
A8R86	N/A	C3R886SC		336
A8R86HCLO	N/A	C3R886HCLO		343
A8R86HCR	N/A	C3R886HCR		340
A8R88	N/A	C3R888SC		336
A902420FS	N/A	1418YW20		48
A902420SSFSN4	N/A	HN4FS902420SS		106
A903620FS	N/A	1418YY20		48
A903620SSFSN4	N/A	HN4FS903620SS		106
A903624FS	N/A	1418YY24		48
A903624FSDA	N/A	1418YYD24		48
A903624SSFSN4	N/A	HN4FS903624SS		106
A903636FS	N/A	1418Y36		48
A903636FSDA	N/A	1418YYD36		48
A903636SSFSN4	N/A	HN4FS903636SS		106
A9036S0F19	N/A	1418SFYY		58
A904820FSD	N/A	1418BW20		56
A907220FSD	N/A	1418BY20		56
A907224FSD	N/A	1418BY24		56
A907224FSDAD	N/A	1418BYD24		56
A907236FSD	N/A	1418BY36		56
A90FSCPS	N/A	1418BCS		57
A90P24F1	N/A	90YWFW		57
A90P24F1G	N/A	90YWFWG		57
A90P24F2	N/A	90YWHW		57
A90P24F2G	N/A	90YWHWG		57
A90P36F1	N/A	90YFW		57
A90P36F1G	N/A	90YFWG		57

Hoffman + Part No.	Panel = Part No.	Hammond Part No.	Comments	E6 Page
A90P36F2	N/A	90YHW		57
A90P36F2G	N/A	90YHWG		57
A90P48F1	N/A	90BWWF		57
A90P48F1G	N/A	90BWWFG		57
A90P48F2	N/A	90BWHW		57
A90P48F2G	N/A	90BWHWG		57
A90P72F1	N/A	90BYFW		57
A90P72F1G	N/A	90BYFWG		57
A90P72F2	N/A	90BYHW		57
A90P72F2G	N/A	90BYHWG		57
A90RP24F5	N/A	1418YYFHP		58
A90RP24F6	N/A	1418YYHHP		58
A90SMP14	N/A	90FD14		57
A90SMP20	N/A	90FD20		57
A90XM3EW24FTC	N/A	3UHD9011924FTC	Ham incl. Panel	172
A90XM4018FTC		1UHD904118FTC	Ham incl. Panel	170
A90XM4020FTC	N/A	1UHD904120FTC	Ham incl. Panel	170
A90XM4024FTC	N/A	1UHD904124FTC	Ham incl. Panel	170
A90XM4EW18FTC	N/A	4UHD9015718FTC	Ham incl. Panel	173
A90XM5EW18FTC	N/A	5UHD9019518FTC	Ham incl. Panel	174
A90XM7818FTC	N/A	2UHD907918FTC	Ham incl. Panel	171
A90XM7820FTC	N/A	2UHD907920FTC	Ham incl. Panel	171
A90XM7824FTC	N/A	2UHD907924FTC	Ham incl. Panel	171
ACLSN12	N/A	1427LKN4		431
ADB275	N/A	HB3250A		392
ADK12A	N/A	DK12GY		451
ADK16A	N/A	DK16GY		451
ADK20A	N/A	DK20GY		451
ADK24A	N/A	DK24GY		451
ADK30A	N/A	DK30GY		451
ADK36A	N/A	DK36GY		451
ADK42A	N/A	DK42GY		451
ADK48A	N/A	DK48GY		451
ADK60A	N/A	DK60GY		451
ADK72A	N/A	DK72GY		451
ADP1	N/A	PKT66		456
ADP2	N/A	PKT1212		456
ADSTOPK	N/A	DSTOPK		453
AENST	N/A	1481ES		456
AFK0608	N/A	1481FA8K		453
AFK0610	N/A	1481FA10K		453
AFK0612	N/A	1481FA12K		453
AFK0618	N/A	1481FA18K		453
AFK1208	N/A	1481FC8K		453
AFK1208SS	N/A	1481FC8KSS		453
AFK1210	N/A	1481FC10K		453
AFK1210SS	N/A	1481FC10KSS		453
AFK1212	N/A	1481FC12K		453
AFK1212SS	N/A	1481FC12KSS		453
AFK1216	N/A	1481FC16K		453
AFK1216SS	N/A	1481FC16KSS		453
AFK1218	N/A	1481FC18K		453
AFK1220	N/A	1481FC20K		453
AFK1808	N/A	1481FG8K		453
AFK1810	N/A	1481FG10K		453
AFK1812	N/A	1481FG12K		453
AFK1816	N/A	1481FG16K		453
AFK2408	N/A	1481FK8K		453
AFK2410	N/A	1481FK10K		453
AFK2410SS	N/A	1481FK10KSS		453
AFK2412	N/A	1481FK12K		453
AFK2412SS	N/A	1481FK12KSS		453
AFK2416	N/A	1481FK16K		453

Functional Cross indicates that the product performs the same function, but may have some dimensional and/or construction differences.
Ham incl. Panel - Hammond enclosure includes panel

Cross Reference

This Cross Reference is a guide only. Products may not be exactly the same and it is user's responsibility to verify details for acceptable substitution. Hammond is not responsible for cross reference errors.

Hoffman to Hammond Cross Reference

Hoffman + Part No.	Panel = Part No.	Hammond Part No.	Comments	E6 Page
AFLTAD	N/A	1475Q		388
AGP1218	N/A	GP134GY		446
AGP1618	N/A	GP136GY		446
AGP618	N/A	GP063GY		446
AHE10X10X4	N/A	CHKO10104		303
AHE10X10X6	N/A	CHKO10106		304
AHE10X8X4	N/A	CHKO1084		303
AHE10X8X6	N/A	CHKO1086		303
AHE12X10X4	N/A	CHKO12104		303
AHE12X10X6	N/A	CHKO12106		304
AHE12X12X4	N/A	CHKO12124		303
AHE12X12X6	N/A	CHKO12126		304
AHE12X8X4	N/A	CHKO1284		303
AHE16X12X4	N/A	CHKO16124		303
AHE16X12X6	N/A	CHKO16126		304
AHE16X16X6	N/A	CHKO16166		304
AHE18X12X4	N/A	CHKO18124		303
AHE18X12X6	N/A	CHKO18126		304
AHE18X18X6	N/A	CHKO18186		304
AHE24X18X6	N/A	CHKO24186		304
AHE24X24X6	N/A	CHKO24246		304
AHE30X24X6	N/A	CHKO30246		304
AHE36X24X6	N/A	CHKO36246		304
AHE36X24X8	N/A	CHKO36248		304
AHE6X4X4	N/A	CHKO644		303
AHE6X6X4	N/A	CHKO664		303
AHE6X6X6	N/A	CHKO666		303
AHE8X6X4	N/A	CHKO864		303
AHE8X8X4	N/A	CHKO884		303
AHE8X8X6	N/A	CHKO886		303
AJCDFK	N/A	SPB1		440
AL12AR	N/A	N1JLK		431
AL12B	N/A	1427LKN1		431
AL1A	N/A	PHK1		431
AL1CR	N/A	PHK2		431
AL1DR	N/A	PHK3		431
AL2A	N/A	AHKL1		431
AL2CR	N/A	AHKL2		431
AL2DR	N/A	AHKL3		431
AL31	N/A	2QTR		434
AL31BK	N/A	2SLI		434
AL32BK	N/A	2SQI7		434
AL32Y	N/A	2SQK7		434
AL35BK	N/A	2TRI7		434
AL35Y	N/A	2TRK7		434
AL3A	N/A	AHK1		431
AL3CR	N/A	AHK2		431
AL3DR	N/A	AHK3		431
ALF16M18R	N/A	FLK18T8	Functional Cross	452
ALF16M24R	N/A	FLK48T8	Functional Cross	452
ALF25M18R	N/A	FLK24T8	Functional Cross	452
ALFSWD	N/A	FLKDS		452
AMC271310R	N/A	CMC271310		315
AMC302010R	N/A	CMC302010		315
AMC303010HQ	N/A	CMCQ303010		317
AMC303010R	N/A	CMC303010		315
AMC363612HQ	N/A	CMCQ363612		317
AMC363612R	N/A	CMC363612		315
AMC484812HQ	N/A	CMCQ484812		317
AMC484812R	N/A	CMC484812		315
AMFK3RL014	N/A	C3RHCLOMFK2		343
AMFK3RL016	N/A	C3RHCLOMFK1		343
AMOD723918FTC	N/A	UHDM724118SFTC	Ham incl. Panel	179

Hoffman + Part No.	Panel = Part No.	Hammond Part No.	Comments	E6 Page
AMOD727718FTC	N/A	UHDM727818SFTC	Ham incl. Panel	179
AMOD72EPT	N/A	UHDM7218ECA		181
AMOD72FTPT	N/A	UHDM7218BPA		181
AMOD72X4018FTC	N/A	UHDM724118MFTC	Ham incl. Panel	178
AMOD72X7818FTC	N/A	UHDM727918MFTC	Ham incl. Panel	178
AMOD8424EPT	N/A	UHDM8424ECA		181
AMOD8424FTPT	N/A	UHDM8424BPA		181
AMOD843918FTC	N/A	UHDM844118SFTC	Ham incl. Panel	179
AMOD843924FTC	N/A	UHDM844124SFTC	Ham incl. Panel	179
AMOD847718FTC	N/A	UHDM847818SFTC	Ham incl. Panel	179
AMOD847724FTC	N/A	UHDM847824SFTC	Ham incl. Panel	179
AMOD84EPT	N/A	UHDM8418ECA		181
AMOD84FTPT	N/A	UHDM8418BPA		181
AMOD84X4018FTC	N/A	UHDM844118MFTC	Ham incl. Panel	178
AMOD84X4024FTC	N/A	UHDM844124MFTC	Ham incl. Panel	178
AMOD84X7818FTC	N/A	UHDM847918MFTC	Ham incl. Panel	178
AMOD84X7824FTC	N/A	UHDM847924MFTC	Ham incl. Panel	178
ANADFK	N/A	SPB2		440
APLH	N/A	1481H		456
APLKJIC	N/A	EJPA		435
APLKJIC	N/A	EPA		434
APMK3RL014	N/A	C3RHCLOPK2		343
APMK3RL016	N/A	C3RHCLOPK1		343
APWK133NF	N/A	1481WN41303		449
APWK138NF	N/A	1481WN41308		449
APWK138NFSS	N/A	1481WN4SS1308		449
APWK1711NF	N/A	1481WN41711		449
APWK1711NFSS	N/A	1481WN4SS1711		449
APWK175NF	N/A	1481WN41705		449
APWK2315NF	N/A	1481WN42315		449
APWK2315NFSS	N/A	1481WN4SS2315		449
APWK2919NF	N/A	1481WN42919		449
APWK2919NFSS	N/A	1481WN4SS2919		449
APWK3523NF	N/A	1481WN43523		449
APWK53NF	N/A	1481WN40503		449
APWK53NFSS	N/A	1481WN4SS0503		449
APWK95NF	N/A	1481WN40905		449
APWK95NFSS	N/A	1481WN4SS0905		449
APWKE133	N/A	1481WFL133		449
APWKE52	N/A	1481WFL52		449
APWKE96	N/A	1481WFL96		449
AS050	N/A	HP50		435
AS075	N/A	HP75		435
AS075SS	N/A	HP75SS		435
AS100	N/A	HP100		435
AS100SS	N/A	HP100SS		435
AS125	N/A	HP125		435
AS125SS	N/A	HP125SS		435
AS150	N/A	HP150		435
AS150SS	N/A	HP150SS		435
AS200	N/A	HP200		435
AS200SS	N/A	HP200SS		435
AS250	N/A	HP250		435
AS300	N/A	HP300		435
AS350	N/A	HP350		435
AS400	N/A	HP400		435
ASAHPDF	N/A	PHKL1		431
ASB123R	N/A	CSB103		305
ASB124R	N/A	CSB104		305
ASB223R	N/A	CSB203		305
ASB224R	N/A	CSB204		305
ASB403R	N/A	CSB403		305
ASB404R	N/A	CSB404		305

Functional Cross indicates that the product performs the same function, but may have some dimensional and/or construction differences.
Ham incl. Panel - Hammond enclosure includes panel

Hoffman to Hammond Cross Reference

This Cross Reference is a guide only. Products may not be exactly the same and it is user's responsibility to verify details for acceptable substitution. Hammond is not responsible for cross reference errors.

Hoffman + Part No.	Panel = Part No.	Hammond Part No.	Comments	E6 Page
ASB83R	N/A	CSB73		305
ASB84R	N/A	CSB74		305
ASBB125	N/A	CSBL125B		313
ASBB225	N/A	CSBL225		313
ASBB400	N/A	CSBL400		313
ASE10X10X4	N/A	CSKO10104		299
ASE10X10X4NK	N/A	CS10104		301
ASE10X10X6	N/A	CSKO10106		300
ASE10X10X6NK	N/A	CS10106		302
ASE10X8X4	N/A	CSKO1084		299
ASE10X8X4NK	N/A	CS1084		301
ASE10X8X6	N/A	CSKO1086		300
ASE10X8X6NK	N/A	CS1086		302
ASE12X10X4	N/A	CSKO12104		299
ASE12X10X4NK	N/A	CS12104		301
ASE12X10X6	N/A	CSKO12106		300
ASE12X10X6NK	N/A	CS12106		302
ASE12X12X4	N/A	CSKO12124		299
ASE12X12X4NK	N/A	CS12124		301
ASE12X12X6	N/A	CSKO12126		300
ASE12X12X6NK	N/A	CS12126		302
ASE12X12X8	N/A	CSKO12128		300
ASE12X12X8NK	N/A	CS12128		302
ASE12X8X4	N/A	CSKO1284		299
ASE12X8X4NK	N/A	CS1284		301
ASE16X12X4	N/A	CSKO16124		299
ASE16X12X4NK	N/A	CS16124		301
ASE16X12X6	N/A	CSKO16126		300
ASE16X12X6NK	N/A	CS16126		302
ASE16X14X3	N/A	CSKO16143		299
ASE16X14X3NK	N/A	CS16143		301
ASE16X16X6	N/A	CSKO16166		300
ASE16X16X6NK	N/A	CS16166		302
ASE18X12X4	N/A	CSKO18124		299
ASE18X12X4NK	N/A	CS18124		301
ASE18X12X6	N/A	CSKO18126		300
ASE18X12X6NK	N/A	CS18126		302
ASE18X14X3	N/A	CSKO18143		299
ASE18X14X3NK	N/A	CS18143		301
ASE18X18X4	N/A	CSKO18184		299
ASE18X18X4NK	N/A	CS18184		301
ASE18X18X6	N/A	CSKO18186		300
ASE18X18X6NK	N/A	CS18186		302
ASE18X18X8NK	N/A	CS18188		302
ASE20X14X3	N/A	CSKO20143		299
ASE20X14X3NK	N/A	CS20143		301
ASE24X18X6	N/A	CSKO24186		300
ASE24X18X6NK	N/A	CS24186		302
ASE24X24X10NK	N/A	CS242410		302
ASE24X24X4	N/A	CSKO24244		299
ASE24X24X4NK	N/A	CS24244		301
ASE24X24X6	N/A	CSKO24246		300
ASE24X24X6NK	N/A	CS24246		302
ASE24X24X8NK	N/A	CS24248		302
ASE30X24X6	N/A	CSKO30246		300
ASE30X24X6NK	N/A	CS30246		302
ASE36X24X10NK	N/A	CS362410		302
ASE36X24X6	N/A	CSKO36246		300
ASE36X24X6NK	N/A	CS36246		302
ASE36X24X8NK	N/A	CS36248		302
ASE36X36X12NK	N/A	CS363612		302
ASE36X36X6NK	N/A	CS36366		302
ASE4X4X3	N/A	CSKO443		299

Hoffman + Part No.	Panel = Part No.	Hammond Part No.	Comments	E6 Page
ASE4X4X3NK	N/A	CS443		301
ASE4X4X4	N/A	CSKO444		299
ASE4X4X4NK	N/A	CS444		301
ASE6X4X4	N/A	CSKO644		299
ASE6X4X4NK	N/A	CS644		301
ASE6X6X3	N/A	CSKO663		299
ASE6X6X3NK	N/A	CS663		301
ASE6X6X4	N/A	CSKO664		299
ASE6X6X4NK	N/A	CS664		301
ASE6X6X6	N/A	CSKO666		300
ASE6X6X6NK	N/A	CS666		301
ASE8X6X3	N/A	CSKO863		299
ASE8X6X3NK	N/A	CS863		301
ASE8X6X4	N/A	CSKO864		299
ASE8X6X4NK	N/A	CS864		301
ASE8X8X4	N/A	CSKO884		299
ASE8X8X4NK	N/A	CS884		301
ASE8X8X6	N/A	CSKO886		300
ASE8X8X6NK	N/A	CS886		301
ASPB	N/A	HPB		435
ASPBG	N/A	HP22		435
ASPBGSS	N/A	HP22SS		435
ASPBSS	N/A	HPBSS		435
AST2123R	N/A	CST2103		309
AST2124R	N/A	CST2104		309
AST283R	N/A	CST273		309
AST284R	N/A	CST274		309
AST3123R	N/A	CST3103		309
AST3124R	N/A	CST3104		309
AST3223R	N/A	CST3203		309
AST3224R	N/A	CST3204		309
AST383R	N/A	CST373		309
AST384R	N/A	CST374		309
AST4123R	N/A	CST4103		309
AST4124R	N/A	CST4104		309
AST4223R	N/A	CST4203		309
AST4224R	N/A	CST4204		309
AST4403R	N/A	CST3403		309
AST4403R	N/A	CST4403		309
AST4404R	N/A	CST4404		309
AST4603R	N/A	CST4603		309
AST4604R	N/A	CST4604		309
AST483R	N/A	CST473		309
AST484R	N/A	CST474		309
AST5223R	N/A	CST5203		309
AST5224R	N/A	CST5204		309
AST5403R	N/A	CST5403		309
AST5404R	N/A	CST5404		309
AST5603R	N/A	CST5603		309
AST5604R	N/A	CST5604		309
AST6223R	N/A	CST6203		309
AST6224R	N/A	CST6204		309
AST6403R	N/A	CST6403		309
AST6404R	N/A	CST6404		309
AST6603R	N/A	CST6603		309
AST6604R	N/A	CST6604		309
ASTB125	N/A	CSBL125T		313
ATEMNC	N/A	SKT011409NC		397
ATEMNO	N/A	SKT011419NO		397
ATPB7021	N/A	1413BKLS		455
ATPBG7032	N/A	1413CGRALS		455
ATPGRAYX	N/A	1413LRS		455
ATPWE	N/A	1413NS		455

Functional Cross indicates that the product performs the same function, but may have some dimensional and/or construction differences.
Ham incl. Panel - Hammond enclosure includes panel

Cross Reference

This Cross Reference is a guide only. Products may not be exactly the same and it is user's responsibility to verify details for acceptable substitution. Hammond is not responsible for cross reference errors.

Hoffman to Hammond Cross Reference

Hoffman + Part No.	Panel = Part No.	Hammond Part No.	Comments	E6 Page
AVK44	N/A	1481L44		402
AVK66	N/A	1481L66		402
AVK88	N/A	1481L88		402
AWDH1418N4	N/A	1481WDH1418		450
AWDH1418N4SS	N/A	1481WSSDH1418		450
AWDH1612N4	N/A	1481WDH1612		450
AWDH1612N4SS	N/A	1481WSSDH1612		450
AWDH2016N4	N/A	1481WDH2016		450
AWDH2016N4SS	N/A	1481WSSDH2016		450
AWDH2416N4	N/A	1481WDH2416		450
AWDH2416N4SS	N/A	1481WSSDH2416		450
AWDH2420N4	N/A	1481WDH2420		450
AWDH2420N4SS	N/A	1481WSSDH2420		450
AWDH2430N4	N/A	1481WDH2430		450
AWDH2430N4SS	N/A	1481WSSDH2430		450
AWDH3024N4	N/A	1481WDH3024		450
AWDH3024N4SS	N/A	1481WSSDH3024		450
AWDH3624N4	N/A	1481WDH3624		450
AWDH3624N4SS	N/A	1481WSSDH3624		450
C12C12	N/A	1488HH9		234
C12C16	N/A	1488HJ9		234
C12C20	N/A	1488HL9		234
C12C24	N/A	1488HN9		234
C16C16	N/A	1488JJ11		234
C16C20	N/A	1488JL11		234
C16C24	N/A	1488JN11		234
C16C30	N/A	1488JQ11		234
C16C36	N/A	1488JS11		234
C20C20	N/A	1488LL13		234
C20C24	N/A	1488LN13		234
C20C30	N/A	1488LQ13		234
C8C12	N/A	1488EH7		234
C8C16	N/A	1488EJ7		234
C8C20	N/A	1488EL7		234
C8C8	N/A	1488EE7		234
C924B	A30P20	1471C24	Ham incl. Panel	236
C936B	A30P20	1471C36	Ham incl. Panel	236
CCA12128	N/A	R100-100-000	Functional Cross	68
CCA1286	N/A	R100-062-000	Functional Cross	68
CCA16169	N/A	R100-160-000	Functional Cross	68
CCA202311	N/A	R100-200-000	Functional Cross	68
CCS2EHDLG	N/A	R149-020-000	Functional Cross	241
CCS2ESTLG	N/A	R149-035-001	Functional Cross	241
CCS2FECLG	N/A	R149-035-000	Functional Cross	240
CCS2IJLG	N/A	R149-015-000	Functional Cross	244
CCS2RBLG	N/A	R149-005-001	Functional Cross	243
CCS2SJLG	N/A	R149-005-000	Functional Cross	243
CCS2STLG	N/A	R149-025-001	Functional Cross	240
CCS2T10	N/A	R144-301-000	Functional Cross	239
CCS2WFBLG	N/A	R149-030-000	Functional Cross	242
CCS2WJHLG	N/A	R149-010-000	Functional Cross	244
CCS2WJVLG	N/A	R149-010-001	Functional Cross	244
CCS568AA30LG	N/A	R140-045-000R	Functional Cross	250
CCS5BBLG	N/A	R147-030-000R	Functional Cross	250
CCS5ELLG	N/A	R147-020-000R	Functional Cross	248
CCS5FCLG	N/A	R147-025-000R	Functional Cross	247
CCS5FECLG	N/A	R147-035-000R	Functional Cross	247
CCS5IJRLG	N/A	R147-015-000R	Functional Cross	248
CCS5SJLG	N/A	R147-005-000R	Functional Cross	249
CCS5T10	N/A	R144-021-000R	Functional Cross	246
CCS5T20	N/A	R144-022-000R	Functional Cross	246
CCS5WJRLG	N/A	R147-010-000R	Functional Cross	249
CCS8BBLG	N/A	R147-030-200R	Functional Cross	250

Hoffman + Part No.	Panel = Part No.	Hammond Part No.	Comments	E6 Page
CCS8ELLG	N/A	R147-020-200R	Functional Cross	248
CCS8FCLG	N/A	R147-025-200R	Functional Cross	247
CCS8FECLG	N/A	R147-035-200R	Functional Cross	247
CCS8IJRLG	N/A	R147-015-200R	Functional Cross	248
CCS8SJLG	N/A	R147-005-200R	Functional Cross	249
CCS8T10	N/A	R144-041-000R	Functional Cross	246
CCS8T20	N/A	R144-042-000R	Functional Cross	246
CCS8WJRLG	N/A	R147-010-200R	Functional Cross	249
CDR1P12	N/A	2D1K12		30
CDR1P16	N/A	2D1K16		30
CDR1P20	N/A	2D1K20		30
CDR1P24	N/A	2D1K24		30
CDR3P12	N/A	2D2K12		30
CDR3P16	N/A	2D2K16		30
CDR3P20	N/A	2D2K20		30
CDR3P24	N/A	2D2K24		30
CDRCP12	N/A	2DCK12		30
CDRCP16	N/A	2DCK16		30
CDRCP20	N/A	2DCK20		30
CDRCP24	N/A	2DCK24		30
CDSC20228	N/A	EN4DSC20228GY		152
CDSC24228	N/A	EN4DSC24228GY		152
CDSC24268	N/A	EN4DSC24268GY		152
CDSC30268	N/A	EN4DSC30268GY		152
CDSC36268	N/A	EN4DSC36268GY		152
CDSC36328	N/A	EN4DSC36328GY		152
CDSC36328SSR	N/A	EN4DSC36328SS		156
CDSC423212	N/A	EN4DSC423212GY		152
CDSC423212SSR	N/A	EN4DSC423212SS		156
CDSC423812	N/A	EN4DSC423812GY		152
CDSC423812SSR	N/A	EN4DSC423812SS		156
CDSC483812	N/A	EN4DSC483812GY		152
CDSC483812SSR	N/A	EN4DSC483812SS		156
CDSC603812	N/A	EN4DSC603812GY		152
CDSC603812SSR	N/A	EN4DSC603812SS		156
CFC382416	N/A	2CLC2024		216
CFC383616	N/A	2CLC2036		216
CFC384816	N/A	2CLC2048		216
CFC386016	N/A	2CLC2060		216
CHDL31	N/A	ECPH12		238
CHDL40	N/A	ECPH20		238
CHDL55	N/A	ECPH24		238
CMFKSS	N/A	ESSMFHD		31
CMFKSS	N/A	EZPMFHD		31
CP1212	N/A	EP1212		437
CP1212G	N/A	EPG1212		437
CP1612	N/A	EP1612		437
CP1612G	N/A	EPG1612		437
CP1616	N/A	EP1616		437
CP1616G	N/A	EPG1616		437
CP1620	N/A	EP1620		437
CP2016	N/A	EP2016		437
CP2016G	N/A	EPG2016		437
CP2020	N/A	EP2020		437
CP2020G	N/A	EPG2020		437
CP2024	N/A	EP2024		437
CP2416	N/A	EP2416		437
CP2416G	N/A	EPG2416		437
CP2420	N/A	EP2420		437
CP2420G	N/A	EPG2420		437
CP2424	N/A	EP2424		437
CP2424G	N/A	EPG2424		437
CP2430	N/A	EP2430		437

Functional Cross indicates that the product performs the same function, but may have some dimensional and/or construction differences.
Ham incl. Panel - Hammond enclosure includes panel

Hoffman to Hammond Cross Reference

This Cross Reference is a guide only. Products may not be exactly the same and it is user's responsibility to verify details for acceptable substitution. Hammond is not responsible for cross reference errors.

Hoffman + Part No.	Panel = Part No.	Hammond Part No.	Comments	E6 Page
CP2442	N/A	EP2442		437
CP2442G	N/A	EPG2442		437
CP3020	N/A	EP3020		437
CP3020G	N/A	EPG3020		437
CP3024	N/A	EP3024		437
CP3024G	N/A	EPG3024		437
CP3030	N/A	EP3030		437
CP3030G	N/A	EPG3030		437
CP3048	N/A	EP3048		437
CP3048G	N/A	EPG3048		437
CP3060	N/A	EP3060		437
CP3060G	N/A	EPG3060		437
CP3624	N/A	EPG3624		437
CP3624G	N/A	EPG3624		437
CP3630	N/A	EP3630		437
CP3630G	N/A	EPG3630		437
CP3636	N/A	EP3636		437
CP3636G	N/A	EPG3636		437
CP3648	N/A	EP3648		437
CP3660	N/A	EP3660		437
CP4230G	N/A	EPG4230		437
CP4236	N/A	EP4236		437
CP4824	N/A	EP4824		437
CP4824G	N/A	EPG4824		437
CP4836	N/A	EP4836		437
CP4836G	N/A	EPG4836		437
CP6036	N/A	EP6036		437
CP6036G	N/A	EPG6036		437
CR290416G068	N/A	DTS3181A115N4SS	Functional Cross	363
CR290426G054	N/A	DTS3181A230N4SS	Functional Cross	363
CSD12126	N/A	EN4SD12126GY		21
CSD12126LG	N/A	EN4SD12126LG		21
CSD12126SS	N/A	EN4SD12126SS		79
CSD12126SS6	N/A	EN4SD12126S16		79
CSD12126ST	N/A	ST12126LG		26
CSD161210	N/A	EN4SD161210GY		21
CSD161210LG	N/A	EN4SD161210LG		21
CSD16126	N/A	EN4SD16126GY		21
CSD16126LG	N/A	EN4SD16126LG		21
CSD16126SS	N/A	EN4SD16126SS		79
CSD16126SS6	N/A	EN4SD16126S16		79
CSD16126ST	N/A	ST16126LG		26
CSD16126W	N/A	EN4SD16126WGY		24
CSD16126WLG	N/A	EN4SD16126WLG		24
CSD16126WSS	N/A	EN4SD16126WSS		82
CSD16128	N/A	EN4SD16128GY		21
CSD16128LG	N/A	EN4SD16128LG		21
CSD16128W	N/A	EN4SD16128WGY		24
CSD16128WLG	N/A	EN4SD16128WLG		24
CSD161610	N/A	EN4SD161610GY		21
CSD161610LG	N/A	EN4SD161610LG		21
CSD16166	N/A	EN4SD16166GY		21
CSD16166LG	N/A	EN4SD16166LG		21
CSD16166SS	N/A	EN4SD16166SS		79
CSD16166SS6	N/A	EN4SD16166S16		79
CSD16168	N/A	EN4SD16168GY		21
CSD16168LG	N/A	EN4SD16168LG		21
CSD16168ST	N/A	ST16168LG		26
CSD162010	N/A	EN4SD162010GY		21
CSD162010LG	N/A	EN4SD162010LG		21
CSD16206	N/A	EN4SD16206GY		21
CSD16206LG	N/A	EN4SD16206LG		21
CSD16208	N/A	EN4SD16208GY		21

Hoffman + Part No.	Panel = Part No.	Hammond Part No.	Comments	E6 Page
CSD16208LG	N/A	EN4SD16208LG		21
CSD16208SS	N/A	EN4SD16208SS		79
CSD16208SS6	N/A	EN4SD16208S16		79
CSD201610	N/A	EN4SD201610GY		21
CSD201610LG	N/A	EN4SD201610LG		21
CSD201610SS	N/A	EN4SD201610SS		79
CSD20166	N/A	EN4SD20166GY		21
CSD20166LG	N/A	EN4SD20166LG		21
CSD20166SS	N/A	EN4SD20166SS		79
CSD20166SS6	N/A	EN4SD20166S16		79
CSD20166ST	N/A	ST20166LG		26
CSD20166W	N/A	EN4SD20166WGY		24
CSD20166WLG	N/A	EN4SD20166WLG		24
CSD20166WSS	N/A	EN4SD20166WSS		82
CSD20168	N/A	EN4SD20168GY		21
CSD20168LG	N/A	EN4SD20168LG		21
CSD20168SS	N/A	EN4SD20168SS		79
CSD20168SS6	N/A	EN4SD20168S16		79
CSD20168ST	N/A	ST20168LG		26
CSD20168W	N/A	EN4SD20168WGY		24
CSD20168WLG	N/A	EN4SD20168WLG		24
CSD20168WSS	N/A	EN4SD20168WSS		82
CSD202010	N/A	EN4SD202010GY		21
CSD202010LG	N/A	EN4SD202010LG		21
CSD202012	N/A	EN4SD202012GY		22
CSD202012LG	N/A	EN4SD202012LG		22
CSD202012W	N/A	EN4SD202012WGY		24
CSD202012WLG	N/A	EN4SD202012WLG		24
CSD20206	N/A	EN4SD20206GY		21
CSD20206LG	N/A	EN4SD20206LG		21
CSD20206SS	N/A	EN4SD20206SS		79
CSD20206SS6	N/A	EN4SD20206S16		79
CSD20206ST	N/A	ST20206LG		26
CSD20206W	N/A	EN4SD20206WGY		24
CSD20206WLG	N/A	EN4SD20206WLG		24
CSD20206WSS	N/A	EN4SD20206WSS		82
CSD20208	N/A	EN4SD20208GY		21
CSD20208LG	N/A	EN4SD20208LG		21
CSD20208SS	N/A	EN4SD20208SS		79
CSD20208SS6	N/A	EN4SD20208S16		79
CSD20208ST	N/A	ST20208LG		26
CSD20208W	N/A	EN4SD20208WGY		24
CSD20208WLG	N/A	EN4SD20208WLG		24
CSD20208WSS	N/A	EN4SD20208WSS		82
CSD202410	N/A	EN4SD202410GY		21
CSD202410LG	N/A	EN4SD202410LG		21
CSD20248	N/A	EN4SD20248GY		21
CSD20248LG	N/A	EN4SD20248LG		21
CSD241610	N/A	EN4SD241610GY		22
CSD241610LG	N/A	EN4SD241610LG		22
CSD24166	N/A	EN4SD24166GY		21
CSD24166LG	N/A	EN4SD24166LG		21
CSD24168	N/A	EN4SD24168GY		21
CSD24168LG	N/A	EN4SD24168LG		21
CSD24168SS	N/A	EN4SD24168SS		79
CSD24168SS6	N/A	EN4SD24168S16		79
CSD242010	N/A	EN4SD242010GY		22
CSD242010LG	N/A	EN4SD242010LG		22
CSD242010SS	N/A	EN4SD242010SS		79
CSD242012	N/A	EN4SD242012GY		22
CSD242012LG	N/A	EN4SD242012LG		22
CSD242012W	N/A	EN4SD242012WGY		24
CSD242012WLG	N/A	EN4SD242012WLG		24

Functional Cross indicates that the product performs the same function, but may have some dimensional and/or construction differences.
Ham incl. Panel - Hammond enclosure includes panel

Cross Reference

This Cross Reference is a guide only. Products may not be exactly the same and it is user's responsibility to verify details for acceptable substitution. Hammond is not responsible for cross reference errors.

Hoffman to Hammond Cross Reference

Hoffman + Part No.	Panel = Part No.	Hammond Part No.	Comments	E6 Page
CSD24206	N/A	EN4SD24206GY		21
CSD24206LG	N/A	EN4SD24206LG		21
CSD24206W	N/A	EN4SD24206WGY		24
CSD24206WLG	N/A	EN4SD24206WLG		24
CSD24208	N/A	EN4SD24208GY		21
CSD24208LG	N/A	EN4SD24208LG		21
CSD24208SS	N/A	EN4SD24208SS		79
CSD24208SS6	N/A	EN4SD24208S16		79
CSD24208ST	N/A	ST24208LG		26
CSD24208W	N/A	EN4SD24208WGY		24
CSD24208WLG	N/A	EN4SD24208WLG		24
CSD24208WSS	N/A	EN4SD24208WSS		82
CSD242410	N/A	EN4SD242410GY		22
CSD242410LG	N/A	EN4SD242410LG		22
CSD242410ST	N/A	ST242410LG		26
CSD242412	N/A	EN4SD242412GY		22
CSD242412LG	N/A	EN4SD242412LG		22
CSD242412SS	N/A	EN4SD242412SS		79
CSD242412ST	N/A	ST242412LG		26
CSD242412W	N/A	EN4SD242412WGY		24
CSD242412WLG	N/A	EN4SD242412WLG		24
CSD242416	N/A	EN4SD242416GY		22
CSD242416LG	N/A	EN4SD242416LG		22
CSD242416W	N/A	EN4SD242416WGY		24
CSD242416WLG	N/A	EN4SD242416WLG		24
CSD242420	N/A	EN4SD242420GY		22
CSD242420LG	N/A	EN4SD242420LG		22
CSD242420W	N/A	EN4SD242420WGY		24
CSD242420WLG	N/A	EN4SD242420WLG		24
CSD24246	N/A	EN4SD24246GY		21
CSD24246LG	N/A	EN4SD24246LG		21
CSD24246W	N/A	EN4SD24246WGY		24
CSD24246WLG	N/A	EN4SD24246WLG		24
CSD24248	N/A	EN4SD24248GY		21
CSD24248LG	N/A	EN4SD24248LG		21
CSD24248SS	N/A	EN4SD24248SS		79
CSD24248SS6	N/A	EN4SD24248S16		79
CSD24248ST	N/A	ST24248LG		26
CSD24248W	N/A	EN4SD24248WGY		24
CSD24248WLG	N/A	EN4SD24248WLG		24
CSD24248WSS	N/A	EN4SD24248WSS		82
CSD243010	N/A	EN4SD243010GY		22
CSD243010LG	N/A	EN4SD243010LG		22
CSD24308	N/A	EN4SD24308GY		21
CSD24308LG	N/A	EN4SD24308LG		21
CSD302010	N/A	EN4SD302010GY		22
CSD302010LG	N/A	EN4SD302010LG		22
CSD30208	N/A	EN4SD30208GY		21
CSD30208LG	N/A	EN4SD30208LG		21
CSD302410	N/A	EN4SD302410GY		22
CSD302410LG	N/A	EN4SD302410LG		22
CSD302410ST	N/A	ST302410LG		26
CSD302412	N/A	EN4SD302412GY		22
CSD302412LG	N/A	EN4SD302412LG		22
CSD302412SS	N/A	EN4SD302412SS		79
CSD302412SS6	N/A	EN4SD302412S16		79
CSD302412ST	N/A	ST302412LG		26
CSD302412W	N/A	EN4SD302412WGY		24
CSD302412WLG	N/A	EN4SD302412WLG		24
CSD302420	N/A	EN4SD302420GY		22
CSD302420LG	N/A	EN4SD302420LG		22
CSD302420ST	N/A	ST302420LG		26
CSD302420W	N/A	EN4SD302420WGY		24

Hoffman + Part No.	Panel = Part No.	Hammond Part No.	Comments	E6 Page
CSD302420WLG	N/A	EN4SD302420WLG		24
CSD30248	N/A	EN4SD30248GY		21
CSD30248LG	N/A	EN4SD30248LG		21
CSD30248SS	N/A	EN4SD30248SS		79
CSD30248SS6	N/A	EN4SD30248S16		79
CSD30248ST	N/A	ST30248LG		26
CSD30248W	N/A	EN4SD30248WGY		24
CSD30248WLG	N/A	EN4SD30248WLG		24
CSD30248WSS	N/A	EN4SD30248WSS		82
CSD303010	N/A	EN4SD303010GY		22
CSD303010LG	N/A	EN4SD303010LG		22
CSD303012	N/A	EN4SD303012GY		22
CSD303012LG	N/A	EN4SD303012LG		22
CSD30308	N/A	EN4SD30308GY		21
CSD30308LG	N/A	EN4SD30308LG		21
CSD30308SS	N/A	EN4SD30308SS		79
CSD30308SS6	N/A	EN4SD30308S16		79
CSD30308ST	N/A	ST30308LG		26
CSD362410	N/A	EN4SD362410GY		22
CSD362410LG	N/A	EN4SD362410LG		22
CSD362410SS	N/A	EN4SD362410SS		79
CSD362412	N/A	EN4SD362412GY		22
CSD362412LG	N/A	EN4SD362412LG		22
CSD36248	N/A	EN4SD36248GY		21
CSD36248LG	N/A	EN4SD36248LG		21
CSD36248SS6	N/A	EN4SD36248S16		79
CSD363010	N/A	EN4SD363010GY		22
CSD363010LG	N/A	EN4SD363010LG		22
CSD363010SS	N/A	EN4SD363010SS		79
CSD363010ST	N/A	ST363010LG		26
CSD363012	N/A	EN4SD363012GY		22
CSD363012LG	N/A	EN4SD363012LG		22
CSD363012SS	N/A	EN4SD363012SS		79
CSD363012SS6	N/A	EN4SD363012S16		79
CSD363012ST	N/A	ST363012LG		26
CSD363016	N/A	EN4SD363016GY		22
CSD363016LG	N/A	EN4SD363016LG		22
CSD363016ST	N/A	ST363016LG		26
CSD363020	N/A	EN4SD363020GY		22
CSD363020LG	N/A	EN4SD363020LG		22
CSD36308	N/A	EN4SD36308GY		21
CSD36308LG	N/A	EN4SD36308LG		21
CSD36308SS	N/A	EN4SD36308SS		79
CSD36308SS6	N/A	EN4SD36308S16		79
CSD36308ST	N/A	ST36308LG		26
CSD363610	N/A	EN4SD363610GY		22
CSD363610LG	N/A	EN4SD363610LG		22
CSD363612	N/A	EN4SD363612GY		22
CSD363612LG	N/A	EN4SD363612LG		22
CSD363612SS6	N/A	EN4SD363612S16		79
CSD363612SSR	N/A	EN4SD363612SS		79
CSD363612ST	N/A	ST363612LG		26
CSD36368	N/A	EN4SD36368GY		21
CSD36368LG	N/A	EN4SD36368LG		21
CSD423610	N/A	EN4SD423610GY		22
CSD423610LG	N/A	EN4SD423610LG		22
CSD423612	N/A	EN4SD423612GY		22
CSD423612LG	N/A	EN4SD423612LG		22
CSD423612SSR	N/A	EN4SD423612SSR		79
CSD482410	N/A	EN4SD482410GY		22
CSD482410LG	N/A	EN4SD482410LG		22
CSD482412	N/A	EN4SD482412GY		22
CSD482412LG	N/A	EN4SD482412LG		22

Functional Cross indicates that the product performs the same function, but may have some dimensional and/or construction differences.
Ham incl. Panel - Hammond enclosure includes panel

Hoffman to Hammond Cross Reference

This Cross Reference is a guide only. Products may not be exactly the same and it is user's responsibility to verify details for acceptable substitution. Hammond is not responsible for cross reference errors.

Hoffman + Part No.	Panel = Part No.	Hammond Part No.	Comments	E6 Page
CSD483610	N/A	EN4SD483610GY		22
CSD483610LG	N/A	EN4SD483610LG		22
CSD483610ST	N/A	ST483610LG		26
CSD483612	N/A	EN4SD483612GY		22
CSD483612LG	N/A	EN4SD483612LG		22
CSD483612SSR	N/A	EN4SD483612SSR		79
CSD483612ST	N/A	ST483612LG		26
CSD483616	N/A	EN4SD483616GY		22
CSD483616LG	N/A	EN4SD483616LG		22
CSD483616ST	N/A	ST483616LG		26
CSD603610	N/A	EN4SD603610GY		22
CSD603610LG	N/A	EN4SD603610LG		22
CSD603612	N/A	EN4SD603612GY		22
CSD603612LG	N/A	EN4SD603612LG		22
CSD603612SSR	N/A	EN4SD603612SSR		79
CSD603612ST	N/A	ST603612LG		26
CSF2424	N/A	ESF2424		30
CSF3024	N/A	ESF3024		30
CSF3624	N/A	ESF3624		30
CSP1212	N/A	ESP1212		29
CSP1612	N/A	ESP1612		29
CSP1616	N/A	ESP1616		29
CSP1620	N/A	ESP1620		29
CSP2016	N/A	ESP2016		29
CSP2020	N/A	ESP2020		29
CSP2024	N/A	ESP2024		29
CSP2416	N/A	ESP2416		29
CSP2420	N/A	ESP2420		29
CSP2424	N/A	ESP2424		29
CSP3020	N/A	ESP3020		29
CSP3024	N/A	ESP3024		29
CSP3030	N/A	ESP3030		29
CSP3624	N/A	ESP3624		29
CSP3630	N/A	ESP3630		29
CSP3636	N/A	ESP3636		29
CTD24428	N/A	EN4TD24428GY		28
CTD24428LG	N/A	EN4TD24428LG		28
CTD30488	N/A	EN4TD30488GY		28
CTD30488LG	N/A	EN4TD30488LG		28
CTD306012	N/A	EN4TD306012GY		28
CTD306012LG	N/A	EN4TD306012LG		28
CTD364812	N/A	EN4TD364812GY		28
CTD364812LG	N/A	EN4TD364812LG		28
CTD366012	N/A	EN4TD366012GY		28
CTD366012LG	N/A	EN4TD366012LG		28
CWHK	N/A	EHLL		31
CWHPTO	N/A	EHLPL		31
DAH1001A	N/A	FLHTF125A115		393
DAH1002A	N/A	FLHTF125A230		393
DAH101	N/A	SHG14000	Functional Cross	395
DAH2001A	N/A	FLHTF200A115		393
DAH2002A	N/A	FLHTF200A230		393
DAH301	N/A	SHG14001	Functional Cross	395
DAH4001B	N/A	SCR027009	Functional Cross	394
DAH4002B	N/A	FLHTF400A230		393
DAH501	N/A	SHG14005	Functional Cross	395
DAH8001B	N/A	FLHTF800A115		393
DAH8002B	N/A	FLHTF800A230		393
DL36	N/A	2WKL		434
DLNDRMTG12	N/A	2DMK12		30
DLNDRMTG16	N/A	2DMK16		30
DLNDRMTG20	N/A	2DMK20		30
DLNDRMTG24	N/A	2DMK24		30

Hoffman + Part No.	Panel = Part No.	Hammond Part No.	Comments	E6 Page
DLNDRMTG30	N/A	2DMK30		30
DLGP610	N/A	GP216GY		446
DMCKC	N/A	1425B		455
E10PBA	N/A	1490G10		264
E10PBAM	N/A	1490MG10		264
E12PB	N/A	1435O		254
E12PBA	N/A	1490G12		264
E12PBAM	N/A	1490MG12		264
E12PBG	N/A	1435MO		254
E12PBGSS	N/A	1435MSSO		256
E12PBGXM	N/A	MPB12		252
E12PBSS	N/A	1435SSO		256
E12PBSS6	N/A	1435S16O		256
E12PBX	N/A	1437O		258
E12PBXM	N/A	1437MO		258
E12PBY25	N/A	1489P12		262
E12PBY25M	N/A	1489MP12		262
E12SPBA	N/A	1490J12		264
E12SPBAM	N/A	1490MJ12		264
E16PB	N/A	1435S		254
E16PBA	N/A	1490J16		264
E16PBAM	N/A	1490MJ16		264
E16PBG	N/A	1435MS		254
E16PBX	N/A	1437S		258
E16PBXM	N/A	1437MS		258
E16PBXSS	N/A	1437SSS		260
E16PBXSS6	N/A	1437S16S		260
E16PBY25	N/A	1489P16		262
E16PBY25M	N/A	1489MP16		262
E16SPBAH	N/A	1490G16		264
E16SPBAHM	N/A	1490MG16		264
E1PB	N/A	1435A		254
E1PBA	N/A	1490D1		264
E1PBAM	N/A	1490MD1		264
E1PBG	N/A	1435MA		254
E1PBGSS	N/A	1435MSSA		256
E1PBGXM	N/A	MPB1		252
E1PBSS	N/A	1435SSA		256
E1PBSS6	N/A	1435S16A		256
E1PBX	N/A	1437A		258
E1PBXM	N/A	1437MA		258
E1PBXSS	N/A	1437SSA		260
E20PBA	N/A	1490J20		264
E20PBAM	N/A	1490MJ20		264
E20PBX	N/A	1437V		258
E20PBXM	N/A	1437MV		258
E20PBY25	N/A	1489P20		262
E20PBY25M	N/A	1489MP20		262
E25PBA	N/A	1490K25		264
E25PBAM	N/A	1490MK25		264
E25PBX	N/A	1437X		258
E25PBXM	N/A	1437MX		258
E25PBY25	N/A	1489P25		262
E25PBY25M	N/A	1489MP25		262
E2PB	N/A	1435B		254
E2PBA	N/A	1490D2		264
E2PBAM	N/A	1490MD2		264
E2PBG	N/A	1435MB		254
E2PBGSS	N/A	1435MSSB		256
E2PBGXM	N/A	MPB2		252
E2PBSS	N/A	1435SSB		256
E2PBSS6	N/A	1435S16B		256
E2PBX	N/A	1437B		258

Functional Cross indicates that the product performs the same function, but may have some dimensional and/or construction differences.
Ham incl. Panel - Hammond enclosure includes panel

Cross Reference

This Cross Reference is a guide only. Products may not be exactly the same and it is user's responsibility to verify details for acceptable substitution. Hammond is not responsible for cross reference errors.

Hoffman to Hammond Cross Reference

Hoffman + Part No.	Panel = Part No.	Hammond Part No.	Comments	E6 Page
E2PBXM	N/A	1437MB		258
E2PBXSS	N/A	1437SSB		260
E30PBA	N/A	1490K30		264
E30PBAM	N/A	1490MK30		264
E30PBY25	N/A	1489P30		262
E30PBY25M	N/A	1489MP30		262
E36PBY25	N/A	1489P36		262
E36PBY25M	N/A	1489MP36		262
E3PB	N/A	1435C		254
E3PBA	N/A	1490D3		264
E3PBAM	N/A	1490MD3		264
E3PBG	N/A	1435MC		254
E3PBGSS	N/A	1435MSSC		256
E3PBGXM	N/A	MPB3		252
E3PBSS	N/A	1435SSC		256
E3PBSS6	N/A	1435S16C		256
E3PBX	N/A	1437C		258
E3PBXM	N/A	1437MC		258
E3PBXSS	N/A	1437SSC		260
E42PBY25	N/A	1489P42		262
E42PBY25M	N/A	1489MP42		262
E4PB	N/A	1435D		254
E4PBA	N/A	1490D4		264
E4PBAM	N/A	1490MD4		264
E4PBG	N/A	1435MD		254
E4PBGSS	N/A	1435MSSD		256
E4PBGXM	N/A	MPB4		252
E4PBSS	N/A	1435SSD		256
E4PBSS6	N/A	1435S16D		256
E4PBX	N/A	1437D		258
E4PBXM	N/A	1437MD		258
E4PBXSS	N/A	1437SSD		260
E4SPB	N/A	1435F		254
E4SPBA	N/A	1490G4		264
E4SPBAM	N/A	1490MG4		264
E4SPBG	N/A	1435MF		254
E4SPBX	N/A	1437F		258
E4SPBXM	N/A	1437MF		258
E4SPBY25	N/A	1489P4		262
E4SPBY25M	N/A	1489MP4		262
E6PB	N/A	1435H		254
E6PBA	N/A	1490G6		264
E6PBAM	N/A	1490MG6		264
E6PBG	N/A	1435MH		254
E6PBGSS	N/A	1435MSSH		256
E6PBGXM	N/A	MPB6		252
E6PBSS	N/A	1435SSH		256
E6PBSS6	N/A	1435S16H		256
E6PBX	N/A	1437H		258
E6PBXM	N/A	1437MH		258
E6PBY25	N/A	1489P6		262
E6PBY25M	N/A	1489MP6		262
E8PBA	N/A	1490G8		264
E8PBAM	N/A	1490MG8		264
E9PB	N/A	1435K		254
E9PBA	N/A	1490H9		264
E9PBAM	N/A	1490MH9		264
E9PBG	N/A	1435MK		254
E9PBGSS	N/A	1435MSSK		256
E9PBGXM	N/A	MPB9		252
E9PBSS	N/A	1435SSK		256
E9PBSS6	N/A	1435S16K		256
E9PBX	N/A	1437K		258

Hoffman + Part No.	Panel = Part No.	Hammond Part No.	Comments	E6 Page
E9PBXM	N/A	1437MK		258
E9PBY25	N/A	1489P9		262
E9PBY25M	N/A	1489MP9		262
F1010G12	N/A	CWST1012NK		291
F1010G120	N/A	CWST10120NK		291
F1010G24	N/A	CWST1024NK		291
F1010G36	N/A	CWST1036NK		291
F1010G45E	N/A	CWEL1045		293
F1010G48	N/A	CWST1048NK		291
F1010G60	N/A	CWST1060NK		291
F1010G72	N/A	CWST1072NK		291
F1010G88R	N/A	CWRD108		292
F1010G90E	N/A	CWEL1090		293
F1010G96	N/A	CWST1096NK		291
F1010GA	N/A	CWTL10		294
F1010GCP	N/A	CWCP10		293
F1010GDB	N/A	CWHD10		293
F1010GPA	N/A	CWAD10		293
F1010GSH	N/A	CWHW10		294
F1010GUC	N/A	CWJO10		294
F1010T	N/A	CWTF10		292
F1010T1120GVP	N/A	CWSC10120NK		291
F1010T112GVP	N/A	CWSC1012NK		291
F1010T124GVP	N/A	CWSC1024NK		291
F1010T136GVP	N/A	CWSC1036NK		291
F1010T148GVP	N/A	CWSC1048NK		291
F1010T160GVP	N/A	CWSC1060NK		291
F1010T172GVP	N/A	CWSC1072NK		291
F1010X	N/A	CWCF10		292
F1212G1010R	N/A	CWRD1210		292
F1212G12	N/A	CWST1212NK		291
F1212G120	N/A	CWST12120NK		291
F1212G24	N/A	CWST1224NK		291
F1212G36	N/A	CWST1236NK		291
F1212G45E	N/A	CWEL1245		293
F1212G48	N/A	CWST1248NK		291
F1212G60	N/A	CWST1260NK		291
F1212G72	N/A	CWST1272NK		291
F1212G88R	N/A	CWRD128		292
F1212G90E	N/A	CWEL1290		293
F1212G96	N/A	CWST1296NK		291
F1212GA	N/A	CWTL12		294
F1212GCP	N/A	CWCP12		293
F1212GDB	N/A	CWHD12		293
F1212GPA	N/A	CWAD12		293
F1212GSH	N/A	CWHW12		294
F1212GUC	N/A	CWJO12		294
F1212T	N/A	CWTF12		292
F1212T1120GVP	N/A	CWSC12120NK		291
F1212T112GVP	N/A	CWSC1212NK		291
F1212T124GVP	N/A	CWSC1224NK		291
F1212T136GVP	N/A	CWSC1236NK		291
F1212T148GVP	N/A	CWSC1248NK		291
F1212T160GVP	N/A	CWSC1260NK		291
F1212X	N/A	CWCF12		292
F126L06	N/A	1485F6		276
F126L12	N/A	1485F12		276
F126L120	N/A	1485F120		276
F126L24	N/A	1485F24		276
F126L36	N/A	1485F36		276
F126L48	N/A	1485F48		276
F126L60	N/A	1485F60		276
F126LA	N/A	1485FX		277

Functional Cross indicates that the product performs the same function, but may have some dimensional and/or construction differences.
Ham incl. Panel - Hammond enclosure includes panel

Hoffman to Hammond Cross Reference

This Cross Reference is a guide only. Products may not be exactly the same and it is user's responsibility to verify details for acceptable substitution. Hammond is not responsible for cross reference errors.

Hoffman + Part No.	Panel = Part No.	Hammond Part No.	Comments	E6 Page
F126LB	N/A	1485FK		279
F126LC	N/A	1485FY		277
F126LE45A	N/A	1485F4N		278
F126LE9A	N/A	1485F9N		278
F126LE9B	N/A	1485F9P		278
F126LE9C	N/A	1485F9Q		278
F126LP	N/A	1485FH		280
F126LRE44	N/A	1485FREC		279
F126LRE66	N/A	1485FRED		279
F126LSAG	N/A	1485FS9		276
F126LSGQR	N/A	1485FSM		276
F126LTA	N/A	1485FTN		279
F126LX	N/A	1485FW2		277
F126LXL	N/A	1485FW1		277
F22G120WK	N/A	CWST2120		291
F22G12WK	N/A	CWST212		291
F22G24WK	N/A	CWST224		291
F22G36WK	N/A	CWST236		291
F22G45E	N/A	CWEL245		293
F22G48WK	N/A	CWST248		291
F22G60WK	N/A	CWST260		291
F22G90E	N/A	CWEL290		293
F22GA	N/A	CWTL2		294
F22GCP	N/A	CWCP2		224
F22GDB	N/A	CWHD2		293
F22GPA	N/A	CWAD2		293
F22GSH	N/A	CWHW2		294
F22GUC	N/A	CWJ02		294
F22HB	N/A	1485BL2		280
F22HD	N/A	1485BL1		280
F22L06	N/A	1485B6		276
F22L12	N/A	1485B12		276
F22L120	N/A	1485B120		276
F22L24	N/A	1485B24		276
F22L36	N/A	1485B36		276
F22L48	N/A	1485B48		276
F22L60	N/A	1485B60		276
F22LA	N/A	1485BX		277
F22LB	N/A	1485BK		279
F22LC	N/A	1485BY		277
F22LE45A	N/A	1485B4N		278
F22LE45B	N/A	1485B4P		278
F22LE45C	N/A	1485B4Q		278
F22LE9A	N/A	1485B9N		278
F22LE9B	N/A	1485B9P		278
F22LE9C	N/A	1485B9Q		278
F22LJ	N/A	1485BJ		280
F22LKOKT	N/A	1485BZC12		279
F22LKT	N/A	1485BZ12		279
F22LN1	N/A	1485BM1		277
F22LN2	N/A	1485BM2		277
F22LN3	N/A	1485BM3		277
F22LP	N/A	1485BH		280
F22LSAG	N/A	1485BS9		276
F22LSGQR	N/A	1485BSM		276
F22LTA	N/A	1485BTN		279
F22LTC	N/A	1485BTQ		279
F22LX	N/A	1485BW2		277
F22LXL	N/A	1485BW1		277
F22T	N/A	CWTF2		292
F22T1120GVP	N/A	CWSC2120NK		291
F22T112GVP	N/A	CWSC212NK		291
F22T124GVP	N/A	CWSC224NK		291

Hoffman + Part No.	Panel = Part No.	Hammond Part No.	Comments	E6 Page
F22T12HC	N/A	1486B12		282
F22T136GVP	N/A	CWSC236NK		291
F22T148GVP	N/A	CWSC248NK		291
F22T160GVP	N/A	CWSC260NK		291
F22T18HC	N/A	1486B18		282
F22T24HC	N/A	1486B24		282
F22T36HC	N/A	1486B36		282
F22T48HC	N/A	1486B48		282
F22T60HC	N/A	1486B60		282
F22T72HC	N/A	1486B72		282
F22W12	N/A	1487B12		285
F22W120	N/A	1487B120		285
F22W24	N/A	1487B24		285
F22W36	N/A	1487B36		285
F22W48	N/A	1487B48		285
F22W60	N/A	1487B60		285
F22WA	N/A	1487BX		286
F22WB	N/A	1487BK		287
F22WC	N/A	1487BY		287
F22WE225	N/A	1487B2P		286
F22WE45	N/A	1487B4P		286
F22WE90	N/A	1487B9P		286
F22WFF	N/A	1485BFF		277
F22WG	N/A	1487BS		284
F22WN1	N/A	1487BM1		285
F22WN2	N/A	1487BM2		285
F22WN3	N/A	1487BM3		285
F22WN6	N/A	1487BM6		285
F22WP	N/A	1487BH		287
F22WSA	N/A	1485BV1		276
F22WSC	N/A	1485BV2		276
F22WT	N/A	1487BT		287
F22WX	N/A	1487BW		286
F22X	N/A	CWCF2		292
F44BK60	N/A	1487CB60		276
F44G120WK	N/A	CWST4120		291
F44G12WK	N/A	CWST412		291
F44G22R	N/A	CWCRD42		292
F44G22R	N/A	CWRD42		292
F44G24WK	N/A	CWST424		291
F44G36WK	N/A	CWST436		291
F44G45E	N/A	CWEL445		293
F44G48WK	N/A	CWST448		291
F44G60WK	N/A	CWST460		291
F44G72WK	N/A	CWST472		291
F44G90E	N/A	CWEL490		293
F44GA	N/A	CWTL4		294
F44GCP	N/A	CWCP4		224
F44GDB	N/A	CWHD4		293
F44GPA	N/A	CWAD4		293
F44GSH	N/A	CWHW4		294
F44GUC	N/A	CWJ04		294
F44HB	N/A	1485CL2		280
F44HD	N/A	1485CL1		280
F44L06	N/A	1485C6		276
F44L12	N/A	1485C12		276
F44L120	N/A	1485C120		276
F44L24	N/A	1485C24		276
F44L36	N/A	1485C36		276
F44L48	N/A	1485C48		276
F44L60	N/A	1485C60		276
F44LA	N/A	1485CX		277
F44LB	N/A	1485CK		279

Functional Cross indicates that the product performs the same function, but may have some dimensional and/or construction differences.
Ham incl. Panel - Hammond enclosure includes panel

Cross Reference

This Cross Reference is a guide only. Products may not be exactly the same and it is user's responsibility to verify details for acceptable substitution. Hammond is not responsible for cross reference errors.

Hoffman to Hammond Cross Reference

Hoffman + Part No.	Panel = Part No.	Hammond Part No.	Comments	E6 Page
F44LC	N/A	1485CY		277
F44LE45A	N/A	1485C4N		278
F44LE45B	N/A	1485C4P		278
F44LE45C	N/A	1485C4Q		278
F44LE9A	N/A	1485C9N		278
F44LE9B	N/A	1485C9P		278
F44LE9C	N/A	1485C9Q		278
F44LJ	N/A	1485CJ		280
F44LKOKT	N/A	1485CZC12		279
F44LKT	N/A	1485CZ12		279
F44LN1	N/A	1485CM1		277
F44LN2	N/A	1485CM2		277
F44LN3	N/A	1485CM3		277
F44LP	N/A	1485CH		280
F44LRE22	N/A	1485CRE		279
F44LSAG	N/A	1485CS9		276
F44LSGQR	N/A	1485CSM		276
F44LTA	N/A	1485CTN		279
F44LTC	N/A	1485CTQ		279
F44LX	N/A	1485CW2		277
F44LXL	N/A	1485CW1		277
F44T	N/A	CWTF4		292
F44T1120GVP	N/A	CWSC4120NK		291
F44T112GVP	N/A	CWSC412NK		291
F44T118GVP	N/A	CWSC418NK		291
F44T124GVP	N/A	CWSC424NK		291
F44T12HC	N/A	1486C12		282
F44T136GVP	N/A	CWSC436NK		291
F44T148GVP	N/A	CWSC448NK		291
F44T160GVP	N/A	CWSC460NK		291
F44T172GVP	N/A	CWSC472NK		291
F44T18HC	N/A	1486C18		282
F44T24HC	N/A	1486C24		282
F44T30HC	N/A	1486C30		282
F44T36HC	N/A	1486C36		282
F44T48HC	N/A	1486C48		282
F44T60HC	N/A	1486C60		282
F44T72HC	N/A	1486C72		282
F44W12	N/A	1487C12		285
F44W120	N/A	1487C120		285
F44W24	N/A	1487C24		285
F44W36	N/A	1487C36		285
F44W48	N/A	1487C48		285
F44W60	N/A	1487C60		285
F44WA	N/A	1487CX		286
F44WB	N/A	1487CK		287
F44WC	N/A	1487CY		287
F44WE225	N/A	1487C2P		286
F44WE45	N/A	1487C4P		286
F44WE90	N/A	1487C9P		286
F44WFF	N/A	1485CFF		277
F44WG	N/A	1487CS		284
F44WN1	N/A	1487CM1		285
F44WN2	N/A	1487CM2		285
F44WN3	N/A	1487CM3		285
F44WN6	N/A	1487CM6		285
F44WP	N/A	1487CH		287
F44WR22	N/A	1487CRC		288
F44WRE22	N/A	1487CRE		288
F44WSA	N/A	1485CV1		276
F44WSC	N/A	1485CV2		276
F44WT	N/A	1487CT		287
F44WX	N/A	1487CW		286

Hoffman + Part No.	Panel = Part No.	Hammond Part No.	Comments	E6 Page
F44X	N/A	CWCF4		292
F66G120WK	N/A	CWST6120		291
F66G12WK	N/A	CWST612		291
F66G24WK	N/A	CWST624		291
F66G36WK	N/A	CWST636		291
F66G44R	N/A	CWCRD64		292
F66G44R	N/A	CWRD64		292
F66G45E	N/A	CWEL645		293
F66G48WK	N/A	CWST648		291
F66G60WK	N/A	CWST660		291
F66G72WK	N/A	CWST672		291
F66G90E	N/A	CWEL690		293
F66GA	N/A	CWTL6		294
F66GCP	N/A	CWCP6		224
F66GDB	N/A	CWHD6		293
F66GPA	N/A	CWAD6		293
F66GSH	N/A	CWHW6		294
F66GUC	N/A	CWJ06		294
F66HB	N/A	1485DL2		280
F66HD	N/A	1485DL1		280
F66L06	N/A	1485D6		276
F66L12	N/A	1485D12		276
F66L120	N/A	1485D120		276
F66L24	N/A	1485D24		276
F66L36	N/A	1485D36		276
F66L48	N/A	1485D48		276
F66L60	N/A	1485D60		276
F66LA	N/A	1485DX		277
F66LB	N/A	1485DK		279
F66LC	N/A	1485DY		277
F66LE45A	N/A	1485D4N		278
F66LE45B	N/A	1485D4P		278
F66LE45C	N/A	1485D4Q		278
F66LE9A	N/A	1485D9N		278
F66LE9B	N/A	1485D9P		278
F66LE9C	N/A	1485D9Q		278
F66LJ	N/A	1485DJ		280
F66LKOKT	N/A	1485DZC12		279
F66LKT	N/A	1485DZ12		279
F66LN1	N/A	1485DM1		277
F66LN2	N/A	1485DM2		277
F66LN3	N/A	1485DM3		277
F66LP	N/A	1485DH		280
F66LRE44	N/A	1485DRE		279
F66LSAG	N/A	1485DS9		276
F66LSGQR	N/A	1485DSM		276
F66LTA	N/A	1485DTN		279
F66LTC	N/A	1485DTQ		279
F66LX	N/A	1485DW2		277
F66LXL	N/A	1485DW1		277
F66T	N/A	CWTF6		292
F66T1120GVP	N/A	CWSC6120NK		291
F66T112GVP	N/A	CWSC612NK		291
F66T118GVP	N/A	CWSC618NK		291
F66T124GVP	N/A	CWSC624NK		291
F66T12HC	N/A	1486D12		282
F66T136GVP	N/A	CWSC636NK		291
F66T148GVP	N/A	CWSC648NK		291
F66T160GVP	N/A	CWSC660NK		291
F66T172GVP	N/A	CWSC672NK		291
F66T18HC	N/A	1486D18		282
F66T24HC	N/A	1486D24		282
F66T30HC	N/A	1486D30		282

Functional Cross indicates that the product performs the same function, but may have some dimensional and/or construction differences.
Ham incl. Panel - Hammond enclosure includes panel

Hoffman to Hammond Cross Reference

This Cross Reference is a guide only. Products may not be exactly the same and it is user's responsibility to verify details for acceptable substitution. Hammond is not responsible for cross reference errors.

Hoffman + Part No.	Panel = Part No.	Hammond Part No.	Comments	E6 Page
F66T36HC	N/A	1486D36		282
F66T48HC	N/A	1486D48		282
F66T60HC	N/A	1486D60		282
F66T72HC	N/A	1486D72		282
F66W12	N/A	1487D12		285
F66W120	N/A	1487D120		285
F66W24	N/A	1487D24		285
F66W36	N/A	1487D36		285
F66W48	N/A	1487D48		285
F66W60	N/A	1487D60		285
F66WA	N/A	1487DX		286
F66WB	N/A	1487DK		287
F66WC	N/A	1487DY		287
F66WE225	N/A	1487D2P		286
F66WE45	N/A	1487D4P		286
F66WE90	N/A	1487D9P		286
F66WFF	N/A	1485DFF		277
F66WG	N/A	1487DS		284
F66WN1	N/A	1487DM1		285
F66WN2	N/A	1487DM2		285
F66WN3	N/A	1487DM3		285
F66WN6	N/A	1487DM6		285
F66WP	N/A	1487DH		287
F66WR44	N/A	1487DRC		288
F66WRE44	N/A	1487DRE		288
F66WSA	N/A	1485DV1		276
F66WSC	N/A	1487DV2		285
F66WT	N/A	1487DT		287
F66WX	N/A	1487DW		286
F66X	N/A	CWCF6		292
F88G45E	N/A	CWEL845		293
F88G66R	N/A	CWCRD86		292
F88G66R	N/A	CWRD86		292
F88G90E	N/A	CWEL890		293
F88GA	N/A	CWTL8		294
F88GCP	N/A	CWCP8		293
F88GDB	N/A	CWHD8		293
F88GPA	N/A	CWAD8		293
F88GSH	N/A	CWHW8		294
F88GUC	N/A	CWJ08		294
F88HB	N/A	1485EL2		280
F88HD	N/A	1485EL1		280
F88L06	N/A	1485E6		276
F88L12	N/A	1485E12		276
F88L120	N/A	1485E120		276
F88L24	N/A	1485E24		276
F88L36	N/A	1485E36		276
F88L48	N/A	1485E48		276
F88L60	N/A	1485E60		276
F88LA	N/A	1485EX		277
F88LB	N/A	1485EK		279
F88LC	N/A	1485EY		277
F88LE45A	N/A	1485E4N		278
F88LE45B	N/A	1485E4P		278
F88LE45C	N/A	1485E4Q		278
F88LE9A	N/A	1485E9N		278
F88LE9B	N/A	1485E9P		278
F88LE9C	N/A	1485E9Q		278
F88LJ	N/A	1485EJ		280
F88LP	N/A	1485EH		280
F88LRE66	N/A	1485ERE		279
F88LSAG	N/A	1485ES9		276
F88LSGQR	N/A	1485ESM		276

Hoffman + Part No.	Panel = Part No.	Hammond Part No.	Comments	E6 Page
F88LTA	N/A	1485ETN		279
F88LTC	N/A	1485ETQ		279
F88LX	N/A	1485EW2		277
F88LXL	N/A	1485EW1		277
F88T	N/A	CWTF8		292
F88T1120GVP	N/A	CWSC8120NK		291
F88T112GVP	N/A	CWSC812NK		291
F88T118GVP	N/A	CWSC818NK		291
F88T124GVP	N/A	CWSC824NK		291
F88T136GVP	N/A	CWSC836NK		291
F88T148GVP	N/A	CWSC848NK		291
F88T160GVP	N/A	CWSC860NK		291
F88T172GVP	N/A	CWSC872NK		291
F88W12	N/A	1487E12		285
F88W120	N/A	1487E120		285
F88W24	N/A	1487E24		285
F88W36	N/A	1487E36		285
F88W48	N/A	1487E48		285
F88W60	N/A	1487E60		285
F88WA	N/A	1487EX		286
F88WB	N/A	1487EK		287
F88WC	N/A	1487EY		287
F88WE225	N/A	1487E2P		286
F88WE45	N/A	1487E4P		286
F88WE90	N/A	1487E9P		286
F88WFF	N/A	1485EFF		277
F88WG	N/A	1487ES		284
F88WN1	N/A	1487EM1		285
F88WN2	N/A	1487EM2		285
F88WN3	N/A	1487EM3		285
F88WN6	N/A	1487EM6		285
F88WP	N/A	1487EH		287
F88WR44	N/A	1487ERCC		288
F88WR66	N/A	1487ERCD		288
F88WRE44	N/A	1487EREC		288
F88WRE66	N/A	1487ERED		288
F88WSA	N/A	1485EV1		276
F88WSC	N/A	1485EV2		276
F88WT	N/A	1487ET		287
F88WX	N/A	1487EW		286
F88X	N/A	CWCF8		292
HJ1008HW	N/A	PJU1084HF	Also PJ (PJU shown)	135
HJ1008HWPL1	N/A	PJU1084LF	Also PJ (PJU shown)	129
HJ1008W	N/A	PJU1084F	Also PJ (PJU shown)	133
HJ1210HW	N/A	PJU12106HF	Also PJ (PJU shown)	135
HJ1210HWPL2	N/A	PJU12106LF	Also PJ (PJU shown)	129
HJ1210W	N/A	PJU12106F	Also PJ (PJU shown)	133
HJ1412HW	N/A	PJU14126HF	Also PJ (PJU shown)	135
HJ1412HWPL2	N/A	PJU14126LF	Also PJ (PJU shown)	129
HJ1412W	N/A	PJU14126F	Also PJ (PJU shown)	133
HJ1614HW	N/A	PJU16148HF	Also PJ (PJU shown)	135
HJ1614HWPL2	N/A	PJU16148LF	Also PJ (PJU shown)	129
HJ1614W	N/A	PJU16148F	Also PJ (PJU shown)	133
HJ606HW	N/A	PJU664HF	Also PJ (PJU shown)	135
HJ606HWPL1	N/A	PJU664LF	Also PJ (PJU shown)	129
HJ606W	N/A	PJU664F	Also PJ (PJU shown)	133
HJ806HW	N/A	PJU864HF	Also PJ (PJU shown)	135
HJ806HWPL1	N/A	PJU864LF	Also PJ (PJU shown)	129
HJ806W	N/A	PJU864F	Also PJ (PJU shown)	133
HJB1008HWPL1	N/A	PJU1084LWF	Also PJ (PJU shown)	137
HJB1210HWPL2	N/A	PJU12106LWF	Also PJ (PJU shown)	137
HJB1412HWPL2	N/A	PJU14126LWF	Also PJ (PJU shown)	137
HJB1614HWPL2	N/A	PJU16148LWF	Also PJ (PJU shown)	137

Functional Cross indicates that the product performs the same function, but may have some dimensional and/or construction differences.
Ham incl. Panel - Hammond enclosure includes panel

Cross Reference

This Cross Reference is a guide only. Products may not be exactly the same and it is user's responsibility to verify details for acceptable substitution. Hammond is not responsible for cross reference errors.

Hoffman to Hammond Cross Reference

Hoffman + Part No.	Panel = Part No.	Hammond Part No.	Comments	E6 Page
HJB806HWPL1	N/A	PJU664LWF	Also PJ (PJU shown)	137
HJB806HWPL1	N/A	PJU864LWF	Also PJ (PJU shown)	137
LHC151512SS	N/A	EJ644SS	Ham incl. Panel	72
LHC201512SS	N/A	EJ863SS	Ham incl. Panel	72
LHC252015SS	N/A	EJ1084SS	Ham incl. Panel	72
LHC302515SS	N/A	EJ12105SS	Ham incl. Panel	72
LHC353020SS	N/A	EJ14128SS	Ham incl. Panel	72
M130116G1014	N/A	DTS1200A115LG	Functional Cross	349
M130126G1008	N/A	DTS1200A230LG	Functional Cross	349
M170216G009	N/A	DTS2000A115LG	Functional Cross	350
M170226G004	N/A	DTS2000A230LG	Functional Cross	350
M280416G002	N/A	DTS3141A115LG	Functional Cross	353
M280426G002	N/A	DTS3141A230LG	Functional Cross	353
PP1466	N/A	HME1466	Functional Cross	186
PP1485	N/A	HME1485	Functional Cross	186
PP16126	N/A	HMET16126	Functional Cross	188
PP1666	N/A	HME1666	Functional Cross	186
PP1668	N/A	HME1668	Functional Cross	186
PP1686	N/A	HME1686	Functional Cross	186
PP1688	N/A	HME1688	Functional Cross	186
PP18105	N/A	HME18105	Functional Cross	186
PP18106	N/A	HME18106	Functional Cross	186
PP18108	N/A	HME18108	Functional Cross	186
PP18125	N/A	HMET18125	Functional Cross	188
PP18126	N/A	HMET18126	Functional Cross	188
PP18128	N/A	HMET18128	Functional Cross	188
PP18165	N/A	HMET18165	Functional Cross	188
PP18166	N/A	HMET18166	Functional Cross	188
PP18168	N/A	HMET18168	Functional Cross	188
PP1866	N/A	HME1866	Functional Cross	186
PP1868	N/A	HME1868	Functional Cross	186
PP1885	N/A	HME1885	Functional Cross	186
PP1886	N/A	HME1886	Functional Cross	186
PP1888	N/A	HME1888	Functional Cross	186
PP20105	N/A	HMET20105	Functional Cross	188
PP20106	N/A	HME20106	Functional Cross	186
PP20108	N/A	HME20108	Functional Cross	186
PP20125	N/A	HMET20125	Functional Cross	188
PP20126	N/A	HMET20126	Functional Cross	188
PP20128	N/A	HMET20128	Functional Cross	188
PP20165	N/A	HMET20165	Functional Cross	188
PP20166	N/A	HMET20166	Functional Cross	188
PP20168	N/A	HMET20168	Functional Cross	188
PP2064	N/A	HME2064	Functional Cross	186
PP2065	N/A	HME2065	Functional Cross	186
PP2066	N/A	HME2066	Functional Cross	186
PP2068	N/A	HME2068	Functional Cross	186
PP2084	N/A	HME2084	Functional Cross	186
PP2085	N/A	HME2085	Functional Cross	186
PP2086	N/A	HME2086	Functional Cross	186
PP2088	N/A	HME2088	Functional Cross	186
PP22105	N/A	HME22105	Functional Cross	186
PP22106	N/A	HMET22106	Functional Cross	188
PP22125	N/A	HMET22125	Functional Cross	188
PP22126	N/A	HMET22126	Functional Cross	188
PP2266	N/A	HME2266	Functional Cross	186
PP2268	N/A	HME2268	Functional Cross	186
PP2288	N/A	HME2288	Functional Cross	186
PPC1666	N/A	IPC1676	Functional Cross	NIC
PPC1668	N/A	IPC1678	Functional Cross	NIC
PPC1686	N/A	IPC1686	Functional Cross	NIC
PPC1866	N/A	IPC1876	Functional Cross	NIC
PPC1868	N/A	IPC1878	Functional Cross	NIC

Hoffman + Part No.	Panel = Part No.	Hammond Part No.	Comments	E6 Page
PPC1886	N/A	IPC1886	Functional Cross	NIC
PSS145	N/A	HSP145	Functional Cross	192
PSS146	N/A	HSP146	Functional Cross	192
PSS148	N/A	HSP148	Functional Cross	192
PSS165	N/A	HSP165	Functional Cross	192
PSS166	N/A	HSP166	Functional Cross	192
PSS168	N/A	HSP168	Functional Cross	192
PSS184	N/A	HSP184	Functional Cross	192
PSS185	N/A	HSP185	Functional Cross	192
PSS186	N/A	HSP186	Functional Cross	192
PSS188	N/A	HSP188	Functional Cross	192
PSS204	N/A	HSP204	Functional Cross	192
PSS205	N/A	HSP205	Functional Cross	192
PSS206	N/A	HSP206	Functional Cross	192
PSS208	N/A	HSP208	Functional Cross	192
PSS225	N/A	HSP225	Functional Cross	192
PSS226	N/A	HSP226	Functional Cross	192
PSS228	N/A	HSP228	Functional Cross	192
PST566SS	N/A	2CSD24R	Functional Cross	218
PTDHS162415G4	N/A	EN4DH162415LG		408
PTDHS162424G4	N/A	EN4DH162424LG		408
PTDHS202415G4	N/A	EN4DH202415LG		408
PTDHS202424G4	N/A	EN4DH202424LG		408
PTDHS242415G4	N/A	EN4DH242415LG		408
PTDHS242424G4	N/A	EN4DH242424LG		408
PTDHS362415G4	N/A	EN4DH362415LG		408
PTDHS362424G4	N/A	EN4DH362424LG		408
PTDHS482415G4	N/A	EN4DH482415LG		408
PTDHS482424G4	N/A	EN4DH482424LG		408
PTDHW162415G	N/A	EN4DH162415WLG	Ham Type 4	408
PTDHW162424G	N/A	EN4DH162424WLG	Ham Type 4	408
PTDHW202415G	N/A	EN4DH202415WLG	Ham Type 4	408
PTDHW202424G	N/A	EN4DH202424WLG	Ham Type 4	408
PTDHW242415G	N/A	EN4DH242415WLG	Ham Type 4	408
PTDHW242424G	N/A	EN4DH242424WLG	Ham Type 4	408
PTDHW362415G	N/A	EN4DH362415WLG	Ham Type 4	408
PTDHW362424G	N/A	EN4DH362424WLG	Ham Type 4	408
PTDHW482415G	N/A	EN4DH482415WLG	Ham Type 4	408
PTDHW482424G	N/A	EN4DH482424WLG	Ham Type 4	408
Q1PBPCD	N/A	PJ744P1	Ham is polyester	268
Q1PBPCDM	N/A	PJ744P221	Ham is polyester	268
Q2PBPCD	N/A	PJ744P2	Ham is polyester	268
Q2PBPCDM	N/A	PJ744P222	Ham is polyester	268
Q3PBPCD	N/A	PJ944P3	Ham is polyester	268
Q3PBPCDM	N/A	PJ944P223	Ham is polyester	268
RHJ1008HW	N/A	PJ1084RH	Ham uses feet	124
RHJ1008HWPL1	N/A	PJ1084RL	Ham uses feet	125
RHJ1008W	N/A	PJ1084R	Ham uses feet	123
RHJ1210HW	N/A	PJ12106RH	Ham uses feet	124
RHJ1210HWPL2	N/A	PJ12106RL	Ham uses feet	125
RHJ1210W	N/A	PJ12106R	Ham uses feet	123
RHJ1412HW	N/A	PJ14126RH	Ham uses feet	124
RHJ1412HWPL2	N/A	PJ14126RL	Ham uses feet	125
RHJ1412W	N/A	PJ14126R	Ham uses feet	123
RHJ1614HW	N/A	PJ16148RH	Ham uses feet	124
RHJ1614HWPL2	N/A	PJ16148RL	Ham uses feet	125
RHJ1614W	N/A	PJ16148R	Ham uses feet	123
RHJ1816HW	N/A	PJ18168RH	Ham uses feet	124
RHJ1816HWPL2	N/A	PJ18168RL	Ham uses feet	125
RHJ1816W	N/A	PJ18168R	Ham uses feet	123
RHJB1008HWPL1	N/A	PJ1084RLW	Ham uses feet	125
RHJB1210HWPL2	N/A	PJ12106RLW	Ham uses feet	125
RHJB1412HWPL2	N/A	PJ14126RLW	Ham uses feet	125

Functional Cross indicates that the product performs the same function, but may have some dimensional and/or construction differences.
Ham incl. Panel - Hammond enclosure includes panel

Hoffman to Hammond Cross Reference

This Cross Reference is a guide only. Products may not be exactly the same and it is user's responsibility to verify details for acceptable substitution. Hammond is not responsible for cross reference errors.

Hoffman + Part No.	Panel = Part No.	Hammond Part No.	Comments	E6 Page
RHJB1614HWPL2	N/A	PJ16148RLW	Ham uses feet	125
SF0516002	N/A	PF2000	Functional Cross	383
SF0526002	N/A	PF2000230	Functional Cross	383
SF0916002	N/A	PF2500	Functional Cross	383
SF0926002	N/A	PF2500230	Functional Cross	383
SF1016002	N/A	PF3000	Functional Cross	383
SF1026002	N/A	PF3000230	Functional Cross	383
SF1316002	N/A	PF6000	Functional Cross	383
SF1326002	N/A	PF6000230	Functional Cross	383
SG0500002	N/A	PFA1000	Functional Cross	385
SG0500002	N/A	PFA2000	Functional Cross	385
SG1000002	N/A	PFA3000	Functional Cross	385
SG1300002	N/A	PFA5000	Functional Cross	385
T290416G100	N/A	DTS3161A115N3LG	Functional Cross	361
T290426G100	N/A	DTS3161A230N3LG	Functional Cross	361
TEG10S	N/A	XFG10	Functional Cross	388
TEG4S	N/A	XFG4	Functional Cross	388
TEG6S	N/A	XFG6	Functional Cross	388
TFP101	N/A	XF10115	Functional Cross	388
TFP1010UL12	N/A	PF43000T12LG	Functional Cross	375
TFP102	N/A	XF10230	Functional Cross	388
TFP41	N/A	XF4115	Functional Cross	388
TFP41UL12	N/A	PF22000T12LG	Functional Cross	371
TFP42	N/A	XF4230	Functional Cross	388
TFP61	N/A	XF6115	Functional Cross	388
TFP61UL12	N/A	PF42500T12LG	Functional Cross	375
TFP62	N/A	XF6230	Functional Cross	388
WS161208SS	N/A	ST161208SS	Functional Cross	86
WS161608SS	N/A	ST161608SS	Functional Cross	86
WS201608SS	N/A	ST201608SS	Functional Cross	86
WS201612SS	N/A	ST201612SS	Functional Cross	86
WS202008SS	N/A	ST202008SS	Functional Cross	86
WS202012SS	N/A	ST202012SS	Functional Cross	86
WS242008SS	N/A	ST242008SS	Functional Cross	86
WS242408SS	N/A	ST242408SS	Functional Cross	86
WS242412SS	N/A	ST242412SS	Functional Cross	86
WS302408SS	N/A	ST302408SS	Functional Cross	86
WS302412SS	N/A	ST302412SS	Functional Cross	86
WS303008SS	N/A	ST303008SS	Functional Cross	86
WS363008SS	N/A	ST363008SS	Functional Cross	86
WS363012SS	N/A	ST363012SS	Functional Cross	86
WS363016SS	N/A	ST363016SS	Functional Cross	86
WS363612SS	N/A	ST363612SS	Functional Cross	86
WS483616SS	N/A	ST483616SS	Functional Cross	86
WS603616SS	N/A	ST603616SS	Functional Cross	86

Cross Reference

Functional Cross indicates that the product performs the same function, but may have some dimensional and/or construction differences.
Ham incl. Panel - Hammond enclosure includes panel

This Cross Reference is a guide only. Products may not be exactly the same and it is user's responsibility to verify details for acceptable substitution. Hammond is not responsible for cross reference errors.

Hoffman to Hammond Cross Reference

Functional Cross indicates that the product performs the same function, but may have some dimensional and/or construction differences.
Ham Incl. Panel - Hammond enclosure includes panel

Part Number Index

Cross Reference

Part Number Index

Hammond Part No.	Page
1413BKLS	455
1413BKS	455
1413CGRALS	455
1413LGS	455
1413LRS	455
1413NS	455
1413WH9003	455
1414A	6
1414A4	6
1414C	6
1414C4	6
1414E	6
1414G	6
1414I	6
1414K	6
1414M6	6
1414M8	6
1414N4A	8
1414N4ALA	64
1414N4ALC	64
1414N4ALE	64
1414N4ALG	64
1414N4ALI	64
1414N4ALK	64
1414N4ALM6	64
1414N4ALM8	64
1414N4ALO10	64
1414N4ALO6	64
1414N4C	8
1414N4E	8
1414N4G	5
1414N4I	8
1414N4K	8
1414N4M6	8
1414N4M8	8
1414N4O10	8
1414N4O6	8
1414N4PHA	12
1414N4PHC	12
1414N4PHCLP	12
1414N4PHE	12
1414N4PHELP	12
1414N4PHG	12
1414N4PHGLP	12
1414N4PHI	12
1414N4PHI6	12
1414N4PHI6LP	12
1414N4PHILP	12
1414N4PHK	12
1414N4PHKLP	12
1414N4PHL6	12
1414N4PHL6LP	12
1414N4PHM6	12
1414N4PHM6LP	12
1414N4PHM8	12
1414N4PHM8LP	12
1414N4PHO10	12
1414N4PHO10LP	12

Hammond Part No.	Page
1414N4PHO6	12
1414N4PHO6LP	12
1414N4PHS16C4	74
1414N4PHS16E	74
1414N4PHS16G	74
1414N4PHS16I	74
1414N4PHS16K	74
1414N4PHS16K6	74
1414N4PHS16L6	74
1414N4PHS16M6	74
1414N4PHS16O6	74
1414N4PHSSC4	74
1414N4PHSSSE	74
1414N4PHSSG	74
1414N4PHSSG4	74
1414N4PHSSI	74
1414N4PHSSK	74
1414N4PHSSK6	74
1414N4PHSSL6	74
1414N4PHSSM6	74
1414N4PHSSM8	74
1414N4PHSSO10	74
1414N4PHSSO6	74
1414N4SSA	76
1414N4SSC4	76
1414N4SSE	76
1414N4SSG	76
1414N4SSI	76
1414N4SSK	76
1414N4SSM6	76
1414N4SSO6	76
1414O10	6
1414O6	6
1414PHA	10
1414PHA4	10
1414PHC	10
1414PHC4	10
1414PHC4LP	10
1414PHCLP	10
1414PHE	10
1414PHELP	10
1414PHG	10
1414PHG6	10
1414PHG6LP	10
1414PHGLP	10
1414PHH4	10
1414PHH4LP	10
1414PHI	10
1414PHI6	10
1414PHI6LP	10
1414PHILP	10
1414PHJ6	10
1414PHJ6LP	10
1414PHK	10
1414PHK8	10
1414PHK8LP	10
1414PHKC4	10
1414PHKC4LP	10

Hammond Part No.	Page
1414PHKLP	10
1414PHL6	10
1414PHL6LP	10
1414PHM6	10
1414PHM6LP	10
1414PHM8	10
1414PHM8LP	10
1414PHMH6	10
1414PHMH6LP	10
1414PHN6	10
1414PHN6LP	10
1414PHO10	10
1414PHO10LP	10
1414PHO6	10
1414PHO6LP	10
1414PHO8	10
1414PHO8LP	10
1414PHRG	10
1414PHRGLP	10
1414PHRI	10
1414PHRILP	10
1414PHRK	10
1414PHRKLP	10
1414PHRM6	10
1414PHRM6LP	10
1414PHRO6	10
1414PHRO6LP	10
1414SCA	14
1414SCC	14
1414SCE	14
1414SCG	14
1414SCI	14
1414SCK	14
1414SCM6	14
1414SCM8	14
1414SCO10	14
1414SCO6	14
1416E	330
1416G	330
1416I	330
1416K	330
1416M	330
1416O	330
1416Q	330
1416T	330
1418A6	33
1418A8	33
1418ACS	57
1418AR10	34
1418AR6	33
1418AR8	33
1418AW18	56
1418B10	33
1418B6	33
1418B8	33
1418BCS	57
1418BW20	56
1418BY20	56

Hammond Part No.	Page
1418BY24	56
1418BY36	56
1418BYD24	56
1418C10	33
1418C12	34
1418C6	33
1418C8	33
1418CA6	33
1418CA8	33
1418CR6	33
1418CR8	33
1418D10	34
1418D6	33
1418D8	33
1418E10	34
1418E12	34
1418E16	34
1418E6	33
1418E8	33
1418ER6	33
1418ER8	33
1418F10	34
1418F6	33
1418F8	33
1418FG6	33
1418G6	33
1418G8	33
1418H6	33
1418H8	33
1418J10	34
1418J12	34
1418J16	34
1418J6	33
1418J8	33
1418JB7	18
1418JC7	18
1418JC9	18
1418JD7	18
1418JD9	18
1418JE7	18
1418JE9	18
1418JF7	18
1418JF9	18
1418JJ11	18
1418JJ7	18
1418JJ9	18
1418JK13	18
1418JK7	18
1418JK9	18
1418JL11	18
1418JL7	18
1418JL9	18
1418JM13	18
1418JM9	18
1418JO9	18
1418JP9	18
1418JS11	18
1418K10	34

Part Number Index

Hammond Part No.	Page
1418K12	34
1418K16	34
1418K20	34
1418K24	34
1418K6	33
1418K8	33
1418KA8	33
1418KG8	33
1418KK12	34
1418KK8	33
1418KR8	33
1418L10	34
1418L12	34
1418L6	33
1418L8	33
1418LL12	34
1418LL8	33
1418M10	34
1418M12	34
1418M16	34
1418M20	34
1418M6	33
1418M8	33
1418MR8	33
1418N4ALB6	70
1418N4ALC10	70
1418N4ALC6	70
1418N4ALE10	70
1418N4ALE6	70
1418N4ALJ8	70
1418N4ALK12	70
1418N4ALK8	70
1418N4ALM12	70
1418N4ALM8	70
1418N4ALS8	70
1418N4ALT12	70
1418N4AR6	36
1418N4B6	36
1418N4B8	36
1418N4C10	36
1418N4C6	36
1418N4C8	36
1418N4CR6	36
1418N4D6	36
1418N4D8	36
1418N4E10	36
1418N4E12	36
1418N4E6	36
1418N4E8	36
1418N4ER8	36
1418N4F6	36
1418N4F8	36
1418N4G6	36
1418N4H6	36
1418N4J6	36
1418N4J8	36
1418N4K10	36
1418N4K12	36

Hammond Part No.	Page
1418N4K16	36
1418N4K6	36
1418N4K8	36
1418N4KK8	36
1418N4KR8	36
1418N4L12	36
1418N4L6	36
1418N4L8	36
1418N4M10	36
1418N4M12	36
1418N4M16	36
1418N4M8	36
1418N4O8	36
1418N4P12	36
1418N4P8	36
1418N4R10	36
1418N4S10	36
1418N4S12	36
1418N4S16	36
1418N4S16B6	91
1418N4S16B8	91
1418N4S16C10	92
1418N4S16C6	91
1418N4S16C8	91
1418N4S16CR6	91
1418N4S16D6	91
1418N4S16D8	91
1418N4S16E10	92
1418N4S16E6	91
1418N4S16E8	91
1418N4S16ER8	91
1418N4S16F8	91
1418N4S16G6	91
1418N4S16H8	91
1418N4S16J12	92
1418N4S16J6	91
1418N4S16J8	91
1418N4S16K10	92
1418N4S16K12	92
1418N4S16K16	92
1418N4S16K8	91
1418N4S16KK8	91
1418N4S16KR8	91
1418N4S16L10	92
1418N4S16L8	91
1418N4S16LL12	92
1418N4S16M10	92
1418N4S16M12	92
1418N4S16M16	92
1418N4S16M8	91
1418N4S16O10	92
1418N4S16P8	92
1418N4S16S10	92
1418N4S16S12	92
1418N4S16S16	92
1418N4S16S8	92
1418N4S16T12	92
1418N4S16T16	92

Hammond Part No.	Page
1418N4S16W18	102
1418N4S16W18QT	104
1418N4S16X24	102
1418N4S16X24QT	104
1418N4S16Y24	102
1418N4S16Y24QT	104
1418N4S8	36
1418N4SSB6	91
1418N4SSB8	91
1418N4SSC10	92
1418N4SSC6	91
1418N4SSC8	91
1418N4SSCR6	91
1418N4SSD6	91
1418N4SSD8	91
1418N4SSE10	92
1418N4SSE6	91
1418N4SSE8	91
1418N4SSER8	91
1418N4SSF6	91
1418N4SSG6	91
1418N4SSH8	91
1418N4SSJ12	92
1418N4SSJ6	91
1418N4SSJ8	91
1418N4SSK10	92
1418N4SSK12	92
1418N4SSK16	92
1418N4SSK8	91
1418N4SSKK8	91
1418N4SSKR8	91
1418N4SSL10	92
1418N4SSL8	91
1418N4SSLL12	92
1418N4SSM10	92
1418N4SSM12	92
1418N4SSM16	92
1418N4SSM8	91
1418N4SSO10	92
1418N4SSP8	92
1418N4SSS10	92
1418N4SSS12	92
1418N4SSS16	92
1418N4SSS8	92
1418N4SST12	92
1418N4SST16	92
1418N4SSW18	102
1418N4SSW18QT	104
1418N4SSX24	102
1418N4SSX24QT	104
1418N4SSY24	102
1418N4SSY24QT	104
1418N4T10	36
1418N4T16	36
1418N4T8	36
1418N4W18	50
1418N4W18QT	52
1418N4X24	50

Hammond Part No.	Page
1418N4X24QT	52
1418N4Y24	50
1418N4Y24QT	52
1418N8	33
1418O10	34
1418O12	34
1418O8	33
1418P10	34
1418P12	34
1418P16	34
1418P8	33
1418Q8	33
1418QR	429
1418R10	34
1418R8	33
1418S10	34
1418S12	34
1418S16	34
1418S20	34
1418S8	33
1418SFX	58
1418SFY	58
1418SFYY	58
1418T10	34
1418T12	34
1418T16	34
1418T20	34
1418T8	33
1418TFHP	58
1418THHP	58
1418TW18	48
1418TY24	48
1418U12	34
1418U16	34
1418U20	34
1418U24	34
1418V12	34
1418W18	48
1418W24	48
1418W30	48
1418W36	48
1418WD24	48
1418WD30	48
1418WD36	48
1418WFHP	58
1418WHHP	58
1418X18	48
1418X24	48
1418XD24	48
1418XFHP	58
1418XHHP	58
1418Y18	48
1418Y24	48
1418Y30	48
1418Y36	48
1418YD24	48
1418YD36	48
1418YW20	48

Part Number Index

Hammond Part No.	Page
1418YY20	48
1418YY24	48
1418YY36	48
1418YYD24	48
1418YYD36	48
1418YYFHP	58
1418YYHHP	58
1418ZCS	57
1418ZW18	56
1418ZW24	56
1418ZWD24	56
1418ZX18	56
1418ZX24	56
1418ZX36	56
1418ZXD24	56
1418ZXD36	56
1418ZY18	56
1418ZY24	56
1418ZYD24	56
1420B7	327
1420C7	327
1420D7	327
1420E7	327
1420E9	327
1420EM9	327
1420F7	327
1420G12	328
1420G16	328
1420G7	327
1420G9	327
1420H7	327
1420H9	328
1420P12	328
1420P16	328
1420P9	328
1420Q9	328
1420R12	328
1420S12	328
1420T12	328
1421	432
142110	432
142125	432
1421A	432
1421A10	432
1421A100B	432
1421A100W	432
1421A10B	432
1421A25	432
1421A25B	432
1421A25W	432
1421A500B	432
1421A500W	432
1421B	432
1421B2	432
1421CNA100	203
1421CNA25	203
1421CNB100	203
1421CNB25	203

Hammond Part No.	Page
1421CNBF100	203
1421CND100	203
1421CND25	203
1421CT25	203
1421D	432
1421D100	432
1421D500	432
1421E1000W	432
1421E100W	432
1421E25W	432
1421E500W	432
1421F25	433
1421HPM625	203
1421HPTM525	203
1421K100	433
1421K25	433
1421N100	433
1421N1000	433
1421N25	433
1421N250	433
1421N4AA50	433
1421N4AB50	433
1421N4BA50	433
1421N4BB50	433
1421N4CA50	433
1421N4CB50	433
1421NP100	433
1421NP1000	433
1421NP25	433
1421NP250	433
1421S	433
1421SP142025	203
1422A8	40
1422A8F	40
1422B10	40
1422B10F	40
1422B12	40
1422B12F	40
1422B16	40
1422B16F	40
1422B20	40
1422B20F	40
1422B24	40
1422B24F	40
1422B8	40
1422B8F	40
1422D10	40
1422D10F	40
1422D12	40
1422D12F	40
1422D16	40
1422D16F	40
1422D24	40
1422D24F	40
1422E10	40
1422E10F	40
1422E12	40
1422E12F	40

Hammond Part No.	Page
1422E16	40
1422E16F	40
1422E20	40
1422E20F	40
1422E24	40
1422E24F	40
1422F10	40
1422F10F	40
1422F12	40
1422F12F	40
1422F16	40
1422F16F	40
1422F20	40
1422F20F	40
1422F24	40
1422F24F	40
1422MD3	59
1422MD320	59
1422MD4	59
1422MD420	59
1422MD5	59
1422MD520	59
1422N4B10F	42
1422N4B10FQT	44
1422N4D12F	42
1422N4D12FQT	44
1422N4E12F	42
1422N4E12FQT	44
1422N4F12F	42
1422N4F12FQT	44
1422N4F24F	42
1422N4F24FQT	44
1422N4S16B12F	96
1422N4S16B12FQT	98
1422N4S16D12F	96
1422N4S16D12FQT	98
1422N4S16E12F	96
1422N4S16E12FQT	98
1422N4S16F12F	96
1422N4S16F12FQT	98
1422N4S16F24F	96
1422N4S16F24FQT	98
1422N4SSB12F	96
1422N4SSB12FQT	98
1422N4SSD12F	96
1422N4SSD12FQT	98
1422N4SSE12F	96
1422N4SSE12FQT	98
1422N4SSF12F	96
1422N4SSF12FQT	98
1422N4SSF24F	96
1422N4SSF24FQT	98
1422P10	38
1422P8	38
1422PW8	38
1422R10	38
1422RW10	38
1422RX10	38

Hammond Part No.	Page
1422UV12	38
1422UW12	38
1422UX12	38
1422VV12	38
1422VW12	38
1422VX12	38
1422WW12	38
1425B	455
1425BH	455
1425BM	455
1425D	455
1425HME	194
1425P	418
1427BK	431
1427L	429
1427LKN1	431
1427LKN4	431
1427M	429
1427N	429
1427P	429
1427Q	429
1427Z	431
1435A	254
1435B	254
1435C	254
1435D	254
1435F	254
1435H	254
1435K	254
1435MA	254
1435MB	254
1435MC	254
1435MD	254
1435MF	254
1435MH	254
1435MK	254
1435MO	254
1435MS	254
1435MS16A	256
1435MS16B	256
1435MS16C	256
1435MS16D	256
1435MS16H	256
1435MS16K	256
1435MS16O	256
1435MSSA	256
1435MSSB	256
1435MSSC	256
1435MSSD	256
1435MSSH	256
1435MSSK	256
1435MSSO	256
1435O	254
1435S	254
1435S16A	256
1435S16B	256
1435S16C	256
1435S16D	256

Part Number Index

Hammond Part No.	Page	Hammond Part No.	Page	Hammond Part No.	Page	Hammond Part No.	Page
1435S16H	256	1438K	16	1471C24	236	1481L66	402
1435S16K	256	1438O	16	1471C36	236	1481L88	402
1435S16O	256	1438S	16	1475Q	388	1481WDH1418	450
1435SSA	256	1438V	16	1481C14	429	1481WDH1612	450
1435SSB	256	1447S46L12	149	1481DJ10	456	1481WDH2016	450
1435SSC	256	1447SA10	149	1481DJN410	456	1481WDH2416	450
1435SSD	256	1447SA8	149	1481ES	456	1481WDH2420	450
1435SSH	256	1447SB10	149	1481FA10K	453	1481WDH2430	450
1435SSK	256	1447SB8	149	1481FA12K	453	1481WDH3024	450
1435SSO	256	1447SC10	149	1481FA16K	453	1481WDH3624	450
1436A	15	1447SC8	149	1481FA18K	453	1481WFL133	449
1436B	15	1447SD10	149	1481FA20K	453	1481WFL52	449
1436C	15	1447SD8	149	1481FA8K	453	1481WFL96	449
1436D	15	1447SE10	149	1481FC10K	453	1481WN40503	449
1436F	15	1447SE12	149	1481FC10KSS	453	1481WN40905	449
1436H	15	1447SE8	149	1481FC12K	453	1481WN41303	449
1436K	15	1447SF10	149	1481FC12KSS	453	1481WN41308	449
1436O	15	1447SF8	149	1481FC16K	453	1481WN41705	449
1436S	15	1447SG10	149	1481FC16KSS	453	1481WN41711	449
1436V	15	1447SG12	149	1481FC18K	453	1481WN42315	449
1437A	258	1447SG16	149	1481FC20K	453	1481WN42919	449
1437B	258	1447SG8	149	1481FC24K	453	1481WN43523	449
1437C	258	1447SH10	149	1481FC6K	453	1481WN4SS0503	449
1437D	258	1447SH12	149	1481FC8K	453	1481WN4SS0905	449
1437F	258	1447SH8	149	1481FC8KSS	453	1481WN4SS1308	449
1437H	258	1447SJ10	149	1481FE10K	453	1481WN4SS1711	449
1437K	258	1447SJ12	149	1481FE12K	453	1481WN4SS2315	449
1437MA	258	1447SJ8	149	1481FE16K	453	1481WN4SS2919	449
1437MB	258	1447SK10	149	1481FE18K	453	1481WSSDH1418	450
1437MC	258	1447SK12	149	1481FE24K	453	1481WSSDH1612	450
1437MD	258	1447SK16	149	1481FE6K	453	1481WSSDH2016	450
1437MF	258	1447SK8	149	1481FE8K	453	1481WSSDH2416	450
1437MH	258	1447SL10	149	1481FG10K	453	1481WSSDH2420	450
1437MK	258	1447SL12	149	1481FG12K	453	1481WSSDH2430	450
1437MO	258	1447SL16	149	1481FG16K	453	1481WSSDH3024	450
1437MS	258	1447SL8	149	1481FG6K	453	1481WSSDH3624	450
1437MV	258	1447SN4B8	154	1481FG8K	453	1485B12	276
1437MX	258	1447SN4C8	154	1481FK10K	453	1485B120	276
1437O	258	1447SN4E8	154	1481FK10KSS	453	1485B24	276
1437S	258	1447SN4F8	154	1481FK12K	453	1485B36	276
1437S16A	260	1447SN4G8	154	1481FK12KSS	453	1485B48	276
1437S16B	260	1447SN4H12	154	1481FK16K	453	1485B4N	278
1437S16C	260	1447SN4J12	154	1481FK6K	453	1485B4P	278
1437S16D	260	1447SN4K12	154	1481FK8K	453	1485B4Q	278
1437S16S	260	1447SN4L12	154	1481H	456	1485B6	276
1437SSA	260	1447SN4SSB8	158	1481HC18	429	1485B60	276
1437SSB	260	1447SN4SSC8	158	1481L3R1510GY	402	1485B9N	278
1437SSC	260	1447SN4SSE8	158	1481L3R55GY	402	1485B9P	278
1437SSD	260	1447SN4SSF8	158	1481L3R55SS	402	1485B9Q	278
1437SSS	260	1447SN4SSG8	158	1481L3R56GY	402	1485BFF	277
1437V	258	1447SN4SSH12	158	1481L3R56SS	402	1485BH	280
1437X	258	1447SN4SSJ12	158	1481L3R610GY	402	1485BJ	280
1438A	16	1447SN4SSK12	158	1481L3R66GY	402	1485BK	279
1438B	16	1447SN4SSL12	158	1481L3R66SS	402	1485BL1	280
1438C	16	1459FBK1	424	1481L3R68GY	402	1485BL2	280
1438D	16	1459JBK1	424	1481L3R810GY	402	1485BM1	277
1438F	16	1459MBK1	424	1481L3R88GY	402	1485BM2	277
1438H	16	1463S	433	1481L44	402	1485BM3	277

Part Number Index

Hammond Part No.	Page
1485BS9	276
1485BSM	276
1485BTN	279
1485BTQ	279
1485BV1	276
1485BV2	276
1485BW1	277
1485BW2	277
1485BX	277
1485BY	277
1485BZ12	279
1485BZC12	279
1485C12	276
1485C120	276
1485C24	276
1485C36	276
1485C48	276
1485C4N	278
1485C4P	278
1485C4Q	278
1485C6	276
1485C60	276
1485C9N	278
1485C9P	278
1485C9Q	278
1485CFF	277
1485CH	280
1485CJ	280
1485CK	279
1485CL1	280
1485CL2	280
1485CM1	277
1485CM2	277
1485CM3	277
1485CRE	279
1485CS9	276
1485CSM	276
1485CTN	279
1485CTQ	279
1485CV1	276
1485CV2	276
1485CW1	277
1485CW2	277
1485CX	277
1485CY	277
1485CZ12	279
1485CZC12	279
1485D12	276
1485D120	276
1485D24	276
1485D36	276
1485D48	276
1485D4N	278
1485D4P	278
1485D4Q	278
1485D6	276
1485D60	276
1485D9N	278

Hammond Part No.	Page
1485D9P	278
1485D9Q	278
1485DFF	277
1485DH	280
1485DJ	280
1485DK	279
1485DL1	280
1485DL2	280
1485DM1	277
1485DM2	277
1485DM3	277
1485DRE	279
1485DS9	276
1485DSM	276
1485DTN	279
1485DTQ	279
1485DV1	276
1485DV2	274
1485DW1	277
1485DW2	277
1485DX	277
1485DY	277
1485DZ12	279
1485DZC12	279
1485E12	276
1485E120	276
1485E24	276
1485E36	276
1485E48	276
1485E4N	278
1485E4P	278
1485E4Q	278
1485E6	276
1485E60	276
1485E9N	278
1485E9P	278
1485E9Q	278
1485EFF	277
1485EH	280
1485EJ	280
1485EK	279
1485EL1	280
1485EL2	280
1485ERE	279
1485ES9	276
1485ESM	276
1485ETN	279
1485ETQ	279
1485EV1	276
1485EV2	276
1485EW1	277
1485EW2	277
1485EX	277
1485EY	277
1485EZ12	274
1485EZC12	274
1485F12	276
1485F120	276

Hammond Part No.	Page
1485F24	276
1485F36	276
1485F48	276
1485F4N	278
1485F6	276
1485F60	276
1485F9N	278
1485F9P	278
1485F9Q	278
1485FH	280
1485FK	279
1485FREC	279
1485FRED	279
1485FS9	276
1485FSM	276
1485FTN	279
1485FW1	277
1485FW2	277
1485FX	277
1485FY	277
1486B12	282
1486B18	282
1486B24	282
1486B30	282
1486B36	282
1486B48	282
1486B60	282
1486B72	282
1486C12	282
1486C18	282
1486C24	282
1486C30	282
1486C36	282
1486C48	282
1486C60	282
1486C72	282
1486D12	282
1486D18	282
1486D24	282
1486D30	282
1486D36	282
1486D48	282
1486D60	282
1486D72	282
1487B12	285
1487B120	285
1487B24	285
1487B2P	286
1487B36	285
1487B48	285
1487B4P	286
1487B60	285
1487B9P	286
1487BH	287
1487BK	287
1487BM1	285
1487BM2	285
1487BM3	285

Hammond Part No.	Page
1487BM6	285
1487BT	287
1487BV1	284
1487BV2	284
1487BW	286
1487BX	286
1487BY	287
1487C12	285
1487C120	285
1487C24	285
1487C2P	286
1487C36	285
1487C48	285
1487C4P	286
1487C60	285
1487C9P	286
1487CB60	276
1487CH	287
1487CK	287
1487CM1	285
1487CM2	285
1487CM3	285
1487CM6	285
1487CRC	288
1487CRE	288
1487CT	287
1487CV1	284
1487CV2	284
1487CW	286
1487CX	286
1487CY	287
1487D12	285
1487D120	285
1487D24	285
1487D2P	286
1487D36	285
1487D48	285
1487D4P	286
1487D60	285
1487D9P	286
1487DB60	274
1487DH	287
1487DK	287
1487DM1	285
1487DM2	285
1487DM3	285
1487DM6	285
1487DRC	288
1487DRE	288
1487DT	287
1487DV1	284
1487DV2	285
1487DW	286
1487DX	286
1487DY	287
1487E12	285
1487E120	285
1487E24	285

Part Number Index

Hammond Part No.	Page	Hammond Part No.	Page	Hammond Part No.	Page	Hammond Part No.	Page
1487E2P	286	1489P9	262	14F1109	436	1554FPL	110
1487E36	285	1490D1	264	14F1311	436	1554G2GY	110
1487E48	285	1490D2	264	14F1513	436	1554G2GYCL	110
1487E4P	286	1490D3	264	14G0503	436	1554G2GYSL	110
1487E60	285	1490D4	264	14G0505	436	1554H2GY	110
1487E9P	286	1490G10	264	14G0705	436	1554H2GYCL	110
1487EB60	274	1490G12	264	14G0707	436	1554H2GYSL	110
1487EH	287	1490G16	264	14G0907	436	1554HPL	110
1487EK	287	1490G4	264	14G0909	436	1554J2GY	110
1487EM1	285	1490G6	264	14G1105	436	1554J2GYCL	110
1487EM2	285	1490G8	264	14G1109	436	1554J2GYSL	110
1487EM3	285	1490H9	264	14G1111	436	1554JPL	110
1487EM6	285	1490J12	264	14G1307	436	1554K2GY	110
1487ERCC	288	1490J16	264	14G1311	436	1554K2GYCL	110
1487ERCD	288	1490J20	264	14G1509	436	1554K2GYSL	110
1487EREC	288	1490K25	264	14G1513	436	1554MPB1	266
1487ERED	288	1490K30	264	14G1715	436	1554MPB2	266
1487ET	287	1490MD1	264	14G1915	436	1554MPB3	266
1487EV1	284	1490MD2	264	14PLKS16	429	1554MPB4	266
1487EV2	284	1490MD3	264	14QR	429	1554MPB6	266
1487EW	286	1490MD4	264	14QRS16	429	1554N2GY	110
1487EX	286	1490MG10	264	14QRSS	429	1554N2GYCL	110
1487EY	287	1490MG12	264	14R0503	436	1554N2GYSL	110
1488EE7	234	1490MG16	264	14R0505	436	1554NPL	110
1488EH7	234	1490MG4	264	14R0705	436	1554P2GY	110
1488EJ7	234	1490MG6	264	14R0707	436	1554P2GYCL	110
1488EL7	234	1490MG8	264	14R0907	436	1554P2GYSL	110
1488HH9	234	1490MH9	264	14R0909	436	1554PB1	266
1488HJ9	234	1490MJ12	264	14R1105	436	1554PB2	266
1488HL9	234	1490MJ16	264	14R1109	436	1554PB3	266
1488HN9	234	1490MJ20	264	14R1111	436	1554PB4	266
1488JJ11	234	1490MK25	264	14R1307	436	1554PB6	266
1488JL11	234	1490MK30	264	14R1311	436	1554R2GY	110
1488JN11	234	1495C35	454	14R1509	436	1554R2GYCL	110
1488JQ11	234	1495D35	454	14R1513	436	1554R2GYSL	110
1488JS11	234	1495XK	454	14S10	441	1554RPL	110
1488LL13	234	1495XN	454	14S12	441	1554S2GY	110
1488LN13	234	14A0503	436	14S14	441	1554S2GYCL	110
1488LQ13	234	14A0505	436	14S16	441	1554S2GYSL	110
1489MP12	262	14A0705	436	14S8	441	1554T2GY	110
1489MP16	262	14A0707	436	1554B2GY	110	1554T2GYCL	110
1489MP20	262	14A0907	436	1554B2GYCL	110	1554T2GYSL	110
1489MP25	262	14A0909	436	1554B2GYSL	110	1554U2GY	110
1489MP30	262	14A1105	436	1554BPL	110	1554U2GYCL	110
1489MP36	262	14A1109	436	1554C2GY	110	1554U2GYSL	110
1489MP4	262	14A1111	436	1554C2GYCL	110	1554UPL	110
1489MP42	262	14A1307	436	1554C2GYSL	110	1554V2GY	110
1489MP6	262	14A1311	436	1554CPL	110	1554V2GYCL	110
1489MP9	262	14A1509	436	1554D2GY	110	1554V2GYSL	110
1489P12	262	14A1513	436	1554D2GYCL	110	1554VPL	110
1489P16	262	14B10	441	1554D2GYSL	110	1555C2F22GY	112
1489P20	262	14B12	441	1554E2GY	110	1555C2F42GY	112
1489P25	262	14B14	441	1554E2GYCL	110	1555CFPL	112
1489P30	262	14B6	441	1554E2GYSL	110	1555F2F17GY	112
1489P36	262	14B8	441	1554EPL	110	1555F2F42GY	112
1489P4	262	14F0505	436	1554F2GY	110	1555FFPL	112
1489P42	262	14F0705	436	1554F2GYCL	110	1555J2F17GY	112
1489P6	262	14F0907	436	1554F2GYSL	110	1555J2F42GY	112

Part Number Index

Hammond Part No.	Page
1555JFPL	112
1582H6A1BK	443
1582H6B1BK	443
1582H8A1BK	443
1582H8B1BK	443
1582T6A1BK	443
1582T6B1BK	443
1582T8A1BK	443
1582T8B1BK	443
1583H6A1BK	443
1583H6B1BK	443
1583H8A1BK	443
1583H8B1BK	443
1583T6A1BK	443
1583T6B1BK	443
1583T8A1BK	443
1583T8B1BK	443
1584H4A1	444
1584H4B1	444
1584H6A1	444
1584H6B1	444
1584H8A1	444
1584H8B1	444
1584MK1	444
1584T4A1	444
1584T4B1	444
1584T4DH	445
1584T4DH6	445
1584T6A1	444
1584T6B1	444
1584T6DH	445
1584T6DH6	445
1584T8A1	444
1584T8B1	444
1584T8DH	445
1584T8DH6	445
15851H6A1	445
15851H6B1	445
15851T6A1	445
15851T6B1	445
15853T6A1	445
15853T6B1	445
15854H7A1	445
15854H7B1	445
15854T7A1	445
15854T7B1	445
1585CLIP	445
1585H8A1	445
1585H8B1	445
1585T8A1	445
1585T8B1	445
1586H10A1	445
1586H10B1	445
1586T10A1	445
1586T10B1	445
1587H10A1	445
1587H10B1	445
1587T10A1	445

Hammond Part No.	Page
1587T10B1	445
1588H12A1	445
1588H12B1	445
1588T12A1	445
1588T12B1	445
1589H4C1	444
1589H4D1	444
1589H4F1	444
1589H4G1	444
1589H6C1	444
1589H6D1	444
1589H6F1	444
1589H6G1	444
1589H8C1	444
1589H8D1	444
1589H8F1	444
1589H8G1	444
1589T36C1	446
1589T36F1	446
1589T48C1	446
1589T48F1	446
1589T60C1	446
1589T60F1	446
1589T70C1	446
1589T70F1	446
1589T77C1	446
1589T77F1	446
1590Z060	66
1590Z060BK	66
1590Z060GY	66
1590Z061	66
1590Z061BK	66
1590Z061GY	66
1590Z062	66
1590Z062BK	66
1590Z062GY	66
1590Z063	66
1590Z063BK	66
1590Z063GY	66
1590Z100	66
1590Z100BK	66
1590Z100GY	66
1590Z110	66
1590Z110BK	66
1590Z110GY	66
1590Z119	66
1590Z119BK	66
1590Z119GY	66
1590Z120	66
1590Z120BK	66
1590Z120GY	66
1590Z130	66
1590Z130BK	66
1590Z130GY	66
1590Z135	66
1590Z135BK	66
1590Z135GY	66
1590Z140	66

Hammond Part No.	Page
1590Z140BK	66
1590Z140GY	66
1590Z150	66
1590Z150BK	66
1590Z150GY	66
1590Z160	66
1590Z160BK	66
1590Z160GY	66
1590Z162	66
1590Z162BK	66
1590Z162GY	66
1590Z164	66
1590Z164BK	66
1590Z164GY	66
1590Z166	66
1590Z166BK	66
1590Z166GY	66
1590Z231	66
1590Z231BK	66
1590Z231GY	66
1590Z235	66
1590Z235GY	66
1590ZGRP081	116
1590ZGRP081PL	116
1590ZGRP082	116
1590ZGRP082PL	116
1590ZGRP083	116
1590ZGRP083PL	116
1590ZGRP121	116
1590ZGRP121PL	116
1590ZGRP123	116
1590ZGRP123PL	116
1590ZGRP131	116
1590ZGRP131PL	116
1590ZGRP161	116
1590ZGRP161PL	116
1590ZGRP162	116
1590ZGRP162PL	116
1590ZGRP233	116
1590ZGRP233PL	116
1590ZGRP234	116
1590ZGRP234PL	116
1590ZGRP235	116
1590ZGRP243	116
1590ZGRP243PL	116
1590ZGRP263	116
1590ZGRP263PL	116
18881500000	370
18881500001	370
18881500002	370
18881500003	370
18881500004	370
18881500006	370
18881500007	370
18B212	442
18B216	442
18B220	442
18B224	442

Hammond Part No.	Page
18B230	442
18B236	442
18B324	442
18B330	442
18B336	442
18G0909	436
18G0921	436
18G1309	436
18G1313	436
18G1515	436
18G1709	436
18G1713	436
18G1717	436
18G2109	436
18G2113	436
18G2117	436
18G2121	436
18G2709	436
18G2713	436
18G2717	436
18G2721	436
18G2727	436
18G3321	436
18G3327	436
18G3333	436
18G3921	436
18G3927	436
18G3933	436
18G4521	436
18G4527	436
18G4533	436
18G5733	436
18G6927	436
18G6933	436
18P0909	436
18P0921	436
18P1309	436
18P1309PP	439
18P1313	436
18P1313PP	439
18P1515	436
18P1515PP	439
18P1709	436
18P1713	436
18P1713PP	439
18P1717	436
18P1717PP	439
18P2109	436
18P2113	436
18P2117	436
18P2117PP	439
18P2121	436
18P2121PP	439
18P2709	436
18P2713	436
18P2717	436
18P2721	436
18P2721PP	439

Part Number Index

Hammond Part No.	Page	Hammond Part No.	Page	Hammond Part No.	Page	Hammond Part No.	Page
18P2727	436	2CDMK	227	2CLT203643	214	2CSFT24	225
18P2727PP	439	2CDSTP	227	2CLT204836	214	2CSP42418	221
18P3321	436	2CHPS	227	2CLT204843	214	2CSP43618	221
18P3321PP	439	2CLB262418	210	2CLT206036	214	2CSP44818	221
18P3327	436	2CLB263618	210	2CLT206043	214	2CSP46018	221
18P3327PP	439	2CLB264818	210	2CLTW24	222	2CSP82418	221
18P3333	436	2CLB266018	210	2CMBPK	228	2CSP83618	221
18P3333PP	439	2CLBC2436	223	2CMC24	226	2CSP84818	221
18P3921	436	2CLBC3636	223	2CMC36	226	2CSP86018	221
18P3927	436	2CLBC4836	223	2CMC48	226	2CSS	221
18P3933	436	2CLBC6036	223	2CMC60	226	2CST202436	214
18P4521	436	2CLBW24	224	2CMK524	228	2CST202443	214
18P4527	436	2CLBW36	224	2CRTK	226	2CST203636	214
18P4533	436	2CLBW48	224	2CSB262418	210	2CST203643	214
18P5721	141	2CLBW60	224	2CSB263618	210	2CST204836	214
18P5733	436	2CLBX262418	210	2CSB264818	210	2CST204843	214
18P6927	436	2CLBX263618	210	2CSB266018	210	2CST206036	214
18P6933	436	2CLBX264818	210	2CSBC2436	223	2CST206043	214
18S12	442	2CLBX266018	210	2CSBC3636	223	2CSTW24	222
18S16	442	2CLC2024	216	2CSBC4836	223	2CTRK	226
18S20	442	2CLC2036	216	2CSBC6036	223	2CTRSK36	226
18S24	442	2CLC2048	216	2CSBW24	224	2CTRSK43	226
18S30	442	2CLC2060	216	2CSBW36	224	2CWBP24	224
18S36	442	2CLD24R	218	2CSBW48	224	2CWBP36	224
18S42	442	2CLD24X	222	2CSBW60	224	2CWBP48	224
18S48	442	2CLD82436	212	2CSBX262418	210	2CWBP60	224
18S60	442	2CLD82443	212	2CSBX263618	210	2CWCP24	224
18S72	442	2CLD83636	212	2CSBX264818	210	2CWCP36	224
1UHD722918FTC	170	2CLD83643	212	2CSBX266018	210	2CWCP48	224
1UHD723518FTC	170	2CLD84836	212	2CSC2024	216	2CWCP60	224
1UHD724118FTC	170	2CLD84843	212	2CSC2036	216	2CWDP24	225
1UHD844118FTC	170	2CLD86036	212	2CSC2048	216	2CWDP36	225
1UHD844124FTC	170	2CLD86043	212	2CSC2060	216	2CWDP48	225
1UHD904118FTC	170	2CLDC2436	223	2CSD24R	218	2CWDP60	225
1UHD904120FTC	170	2CLDC2443	223	2CSD24X	222	2CWDSR	225
1UHD904124FTC	170	2CLDC3636	223	2CSD82436	212	2D1K12	30
20P1410	437	2CLDC3643	223	2CSD82443	212	2D1K16	30
20P1814	437	2CLDC4836	223	2CSD83636	212	2D1K20	30
20P1818	437	2CLDC4843	223	2CSD83643	212	2D1K24	30
20P2218	437	2CLDC6036	223	2CSD84836	212	2D1K30	30
20P2222	437	2CLDC6043	223	2CSD84843	212	2D2K12	30
20P2818	437	2CLF24	222	2CSD86036	212	2D2K16	30
20P2822	437	2CLF36	222	2CSD86043	212	2D2K20	30
20P3422	437	2CLF48	222	2CSDC2436	223	2D2K24	30
20P3428	437	2CLF60	222	2CSDC2443	223	2D2K30	30
20P4022	437	2CLP42418	221	2CSDC3636	223	2DCK12	30
20P4028	437	2CLP43618	221	2CSDC3643	223	2DCK16	30
20P4034	437	2CLP44818	221	2CSDC4836	223	2DCK20	30
20P4634	437	2CLP46018	221	2CSDC4843	223	2DCK24	30
22P5038	437	2CLP82418	221	2CSDC6036	223	2DCK30	30
22P5644	437	2CLP83618	221	2CSDC6043	223	2DMK12	30
22P5656	437	2CLP84818	221	2CSF24	222	2DMK16	30
22P6856	437	2CLP86018	221	2CSF36	222	2DMK20	30
22P6868	437	2CLPS	227	2CSF48	222	2DMK24	30
2CBRK	226	2CLS	221	2CSF60	222	2DMK30	30
2CBRSK	226	2CLT202436	214	2CSFB19	225	2QPL	434
2CCSTL	232	2CLT202443	214	2CSFB24	225	2QTR	434
2CCSTN	232	2CLT203636	214	2CSFT19	225	2SLI	434

Part Number Index

Hammond Part No.	Page
2SQI7	434
2SQK7	434
2SSQTR	434
2TRI7	434
2TRK7	434
2UD605012FFTC	164
2UD605012FTC	162
2UD605018FFTC	164
2UD606212FFTC	164
2UD606212FTC	162
2UD606218FFTC	164
2UD726212FFTC	164
2UD726212FTC	162
2UD726218FFTC	164
2UD727412FFTC	164
2UD727412FTC	162
2UD727418FFTC	164
2UD727424FFTC	164
2UDCP604912FFTC	166
2UDCP606112FFTC	166
2UDCP726112FFTC	166
2UDCP727312FFTC	166
2UDCP727318FFTC	166
2UHD725518FTC	171
2UHD726718FTC	171
2UHD727918FTC	171
2UHD727924FTC	171
2UHD847918FTC	171
2UHD847924FTC	171
2UHD907918FTC	171
2UHD907920FTC	171
2UHD907924FTC	171
2WKL	434
3UHD7210118FTC	172
3UHD7211918FTC	172
3UHD8411918FTC	172
3UHD8411924FTC	172
3UHD9011924FTC	172
4UHD8415718FTC	173
4UHD9015718FTC	173
5UHD8419518FTC	174
5UHD9019518FTC	174
60AWFW	57
60AWFWG	57
60AWHW	57
60AWHWG	57
60FD14	57
60TWFV	57
60TWFVW	57
60TWHW	57
60TWHWG	57
60TYFW	57
60TYFWG	57
60TYHW	57
60TYHWG	57
72FD14	57
72FD20	57
72FD26	57

Hammond Part No.	Page
72FD9	57
72WFW	57
72WFWG	57
72WHW	57
72WHWG	57
72XFW	57
72XFWG	57
72XHW	57
72XHWG	57
72YFW	57
72YFWG	57
72YHW	57
72YHWG	57
72ZFW	57
72ZFWG	57
72ZHW	57
72ZHWG	57
72ZFW	57
72ZFWG	57
72ZXHW	57
72ZXHWG	57
72ZYFW	57
72ZYFWG	57
72ZYHW	57
72ZYHWG	57
815065000	370
90BFW	57
90BFWG	57
90BHW	57
90BHWG	57
90BYFW	57
90BYFWG	57
90BYHW	57
90BYHWG	57
90FD14	57
90FD20	57
90FD26	57
90FD9	57
90YFW	57
90YFWG	57
90YHW	57
90YHWG	57
90YFWW	57
90YFWWG	57
90YWHW	57
90YWHWG	57
A1868	436
A2068	436
A2420	138
A2424	138
A3024	138
AHK1	431
AHK2	431
AHK3	431
AHKL1	431
AHKL2	431
AHKL3	431
AK1494FD	182

Hammond Part No.	Page
AKU	182
AP1612	438
AP1612PP	439
AP1616	438
AP1616PP	439
AP1620	438
AP1620PP	439
AP2016	438
AP2016PP	439
AP2020	438
AP2020PP	439
AP2024	438
AP2024PP	439
AP2416	438
AP2416PP	439
AP2420	438
AP2420PP	439
AP2424	438
AP2424PP	439
AP3020	438
AP3020PP	439
AP3024	438
AP3024PP	439
AP3030	438
AP3030PP	439
AP3624	438
AP3624PP	439
AP3630	438
AP3630PP	439
AP4224	438
AP4224PP	439
AP4230	438
AP4236	438
AP4836	438
APB19007BK1	424
APB19010BK1	424
APB19014BK1	424
APB19021BK1	424
BDN4XN1	400
BPAK	182
C3R10104SC	336
C3R10106SC	336
C3R1084SC	336
C3R1086HCLO	343
C3R1086HCR	340
C3R1086SC	336
C3R12104SC	336
C3R12106HCLO	343
C3R12106HCR	340
C3R12106SC	336
C3R121210HCR	340
C3R12124SC	336
C3R12126HCLO	343
C3R12126HCR	340
C3R12126SC	336
C3R12128SC	336
C3R1244SC	336
C3R1284SC	336

Hammond Part No.	Page
C3R1286SC	336
C3R15126SC	336
C3R15128SC	336
C3R16126HCLO	343
C3R16126HCR	341
C3R16126SC	336
C3R16166HCLO	343
C3R16166HCR	341
C3R18124SC	336
C3R18126SC	336
C3R18128SC	336
C3R181810HCR	341
C3R181810SC	336
C3R18184SC	336
C3R18186HCR	341
C3R18186SC	336
C3R18188SC	336
C3R1866SC	336
C3R20166HCLO	343
C3R20166HCR	341
C3R20208HCLO	343
C3R20208HCR	341
C3R24126SC	336
C3R24168SC	336
C3R241810SC	336
C3R24186SC	336
C3R24188SC	336
C3R24208HCLO	343
C3R24208HCR	341
C3R242410SC	336
C3R242412SC	336
C3R24246SC	336
C3R24248HCLO	343
C3R24248HCR	341
C3R24248SC	336
C3R242410HCR	341
C3R302410SC	336
C3R30248HCLO	343
C3R30248SC	336
C3R303012HCR	342
C3R303012SC	336
C3R303016HCR	342
C3R303016SC	336
C3R30308HCR	341
C3R362412HCR	342
C3R363012HCR	342
C3R363012SC	336
C3R363610HCR	342
C3R363612HCR	342
C3R363612SC	336
C3R423012HCR	342
C3R423612HCR	342
C3R444SC	336
C3R483612HCR	342

Part Number Index

Hammond Part No.	Page
C3R483616HCR	342
C3R483616SC	336
C3R48368SC	336
C3R603612HCR	342
C3R644HCR	340
C3R644SC	336
C3R664HCR	340
C3R664SC	336
C3R666SC	336
C3R864HCLO	343
C3R864HCR	340
C3R864SC	336
C3R884SC	336
C3R886HCLO	343
C3R886HCR	340
C3R886SC	336
C3R888SC	336
C3RHCLOMFK1	343
C3RHCLOMFK2	343
C3RHCLOPK1	343
C3RHCLOPK2	343
C3RMC202010	321
C3RMC271310	321
C3RMC302010	321
C3RMC303010	321
C3RMC363612	321
C3RMC484812	321
C3RWT10116	296
C3RWT1024	296
C3RWT1036	296
C3RWT1048	296
C3RWT1060	296
C3RWT1072	296
C3RWT1096	296
C3RWT12116	296
C3RWT1224	296
C3RWT1236	296
C3RWT1248	296
C3RWT1260	296
C3RWT1272	296
C3RWT1284	296
C3RWT1296	296
C3RWT412	296
C3RWT418	296
C3RWT424	296
C3RWT436	296
C3RWT448	296
C3RWT460	296
C3RWT472	296
C3RWT612	296
C3RWT618	296
C3RWT624	296
C3RWT636	296
C3RWT648	296
C3RWT660	296
C3RWT672	296
C3RWT8116	296
C3RWT812	296

Hammond Part No.	Page
C3RWT824	296
C3RWT836	296
C3RWT848	296
C3RWT860	296
C3RWT872	296
C3RWT896	296
C4K-Z4	412
CGH01	414
CGK	314
CGK125	314
CGK225	314
CGK400	314
CGK600	314
CHKO10104	303
CHKO10106	304
CHKO1084	303
CHKO1086	303
CHKO12104	303
CHKO12106	304
CHKO12124	303
CHKO12126	304
CHKO1284	303
CHKO16124	303
CHKO16126	304
CHKO16166	304
CHKO18124	303
CHKO18126	304
CHKO18186	304
CHKO24186	304
CHKO24246	304
CHKO30246	304
CHKO36246	304
CHKO36248	304
CHKO644	303
CHKO663	303
CHKO664	303
CHKO666	303
CHKO864	303
CHKO884	303
CHKO886	303
CMC202010	315
CMC271310	315
CMC302010	315
CMC303010	315
CMC363612	315
CMC484812	315
CMCO241610	319
CMCQ303010	317
CMCQ363612	317
CMCQ484812	317
CMCQP1	317
CMCQP2	317
CMCQP3	317
CN4SB103	308
CN4SB104	308
CN4SB203	308
CN4SB204	308
CN4SB403	308

Hammond Part No.	Page
CN4SB404	308
CN4SB603	308
CN4SB604	308
CN4SB73	308
CN4SB74	308
CN4ST2103	312
CN4ST2104	312
CN4ST2203	312
CN4ST273	312
CN4ST274	312
CN4ST3103	312
CN4ST3104	312
CN4ST3203	312
CN4ST3204	312
CN4ST3403	312
CN4ST373	312
CN4ST374	312
CN4ST4103	312
CN4ST4104	312
CN4ST4203	312
CN4ST4204	312
CN4ST4403	312
CN4ST4404	312
CN4ST4603	312
CN4ST4604	312
CN4ST473	312
CN4ST474	312
CN4ST5203	312
CN4ST5204	312
CN4ST5403	312
CN4ST5404	312
CN4ST5603	312
CN4ST5604	312
CN4ST6103	312
CN4ST6104	312
CN4ST6203	312
CN4ST6204	312
CN4ST6403	312
CN4ST6404	312
CN4ST6603	312
CN4ST6604	312
CS10104	301
CS10106	302
CS1084	301
CS1086	302
CS12104	301
CS12106	302
CS12124	301
CS12126	302
CS12128	302
CS1284	301
CS16124	301
CS16126	302
CS16143	301
CS16166	302
CS16168	302
CS18124	301
CS18126	302

Hammond Part No.	Page
CS18143	301
CS18184	301
CS18186	302
CS18188	302
CS20143	301
CS202010	302
CS24186	302
CS242410	302
CS24244	301
CS24246	302
CS24248	302
CS302010	302
CS30246	302
CS362410	302
CS36246	302
CS36248	302
CS363612	302
CS36366	302
CS443	301
CS444	301
CS644	301
CS663	301
CS664	301
CS666	301
CS863	301
CS864	301
CS884	301
CS886	301
CSB100	305
CSB103	305
CSB104	305
CSB200	305
CSB203	305
CSB204	305
CSB400	305
CSB403	305
CSB404	305
CSB600	305
CSB603	305
CSB604	305
CSB70	305
CSB73	305
CSB74	305
CSBL125B	313
CSBL125T	313
CSBL225	313
CSBL400	313
CSBL600	313
CSKO10104	299
CSKO10106	300
CSKO1084	299
CSKO1086	300
CSKO12104	299
CSKO12106	300
CSKO12124	299
CSKO12126	300
CSKO12128	300
CSKO1284	299

Part Number Index

Hammond Part No.	Page
CSKO16124	299
CSKO16126	300
CSKO16143	299
CSKO16166	300
CSKO16168	300
CSKO18124	299
CSKO18126	300
CSKO18143	299
CSKO18184	299
CSKO18186	300
CSKO20143	299
CSKO202010	300
CSKO24186	300
CSKO242410	300
CSKO24244	299
CSKO24246	300
CSKO24248	300
CSKO302010	300
CSKO30246	300
CSKO362410	300
CSKO36246	300
CSKO443	299
CSKO444	299
CSKO644	299
CSKO663	299
CSKO664	299
CSKO666	300
CSKO863	299
CSKO864	299
CSKO884	299
CSKO886	300
CST2100	309
CST2103	309
CST2104	309
CST2200	309
CST2203	309
CST273	309
CST274	309
CST3100	309
CST3103	309
CST3104	309
CST3200	309
CST3203	309
CST3204	309
CST3400	309
CST3403	309
CST373	309
CST374	309
CST4100	309
CST4103	309
CST4104	309
CST4200	309
CST4203	309
CST4204	309
CST4400	309
CST4403	309
CST4404	309
CST4603	309

Hammond Part No.	Page
CST4604	309
CST473	309
CST474	309
CST5200	309
CST5203	309
CST5204	309
CST5400	309
CST5403	309
CST5404	309
CST5603	309
CST5604	309
CST6100	309
CST6103	309
CST6104	309
CST6203	309
CST6204	309
CST6400	309
CST6403	309
CST6404	309
CST6603	309
CST6604	309
CWAD10	293
CWAD12	293
CWAD2	293
CWAD4	293
CWAD6	293
CWAD8	293
CWBA260	292
CWBA460	292
CWBA660	292
CWBA860	292
CWCF10	292
CWCF12	292
CWCF2	292
CWCF4	292
CWCF6	292
CWCF8	292
CWCP10	293
CWCP12	293
CWCP2	224
CWCP4	224
CWCP6	224
CWCP8	293
CWCRD42	292
CWCRD64	292
CWCRD86	292
CWEL1045	293
CWEL1090	293
CWEL1245	293
CWEL1290	293
CWEL222	293
CWEL245	293
CWEL290	293
CWEL422	293
CWEL445	293
CWEL490	293
CWEL622	293
CWEL645	293

Hammond Part No.	Page
CWEL690	293
CWEL822	293
CWEL845	293
CWEL890	293
CWHD10	293
CWHD12	293
CWHD2	293
CWHD4	293
CWHD6	293
CWHD8	293
CWHW10	294
CWHW12	294
CWHW2	294
CWHW4	294
CWHW6	294
CWHW8	294
CWJO10	294
CWJO12	294
CWJO2	294
CWJO4	294
CWJO6	294
CWJO8	294
CWRD108	292
CWRD1210	292
CWRD128	292
CWRD42	292
CWRD64	292
CWRD86	292
CWSC10120NK	291
CWSC1012NK	291
CWSC1024NK	291
CWSC1036NK	291
CWSC1048NK	291
CWSC1060NK	291
CWSC1072NK	291
CWSC1096NK	291
CWSC12120NK	291
CWSC1212NK	291
CWSC1224NK	291
CWSC1236NK	291
CWSC1248NK	291
CWSC1260NK	291
CWSC1272NK	291
CWSC1296NK	291
CWSC2120NK	291
CWSC212NK	291
CWSC224NK	291
CWSC236NK	291
CWSC248NK	291
CWSC260NK	291
CWSC4120NK	291
CWSC412NK	291
CWSC418NK	291
CWSC424NK	291
CWSC436NK	291
CWSC448NK	291
CWSC460NK	291
CWSC472NK	291

Hammond Part No.	Page
CWSC6120NK	291
CWSC612NK	291
CWSC618NK	291
CWSC624NK	291
CWSC636NK	291
CWSC648NK	291
CWSC660NK	291
CWSC672NK	291
CWSC8120NK	291
CWSC812NK	291
CWSC818NK	291
CWSC824NK	291
CWSC836NK	291
CWSC848NK	291
CWSC860NK	291
CWSC872NK	291
CWST10120NK	291
CWST1012NK	291
CWST1024NK	291
CWST1036NK	291
CWST1048NK	291
CWST1060NK	291
CWST1072NK	291
CWST1096NK	291
CWST12120NK	291
CWST1212NK	291
CWST1224NK	291
CWST1236NK	291
CWST1248NK	291
CWST1260NK	291
CWST1272NK	291
CWST1296NK	291
CWST212	291
CWST2120	291
CWST224	291
CWST236	291
CWST248	291
CWST260	291
CWST272	291
CWST296	291
CWST412	291
CWST4120	291
CWST418NK	291
CWST424	291
CWST436	291
CWST448	291
CWST460	291
CWST472	291
CWST496	291
CWST612	291
CWST6120	291
CWST618NK	291
CWST624	291
CWST636	291
CWST648	291
CWST660	291
CWST672	291
CWST696	291

Part Number Index

Hammond Part No.	Page	Hammond Part No.	Page	Hammond Part No.	Page	Hammond Part No.	Page
CWST812	291	DK42GY	451	DNRR77LDW	419	DTS3661A460N3LG	367
CWST8120	291	DK42LG	451	DNRR84HDKB	419	DTS3681A230N4SS	367
CWST818NK	291	DK48GY	451	DNRR84HDW	419	DTS3681A460N4SS	367
CWST824	291	DK48LG	451	DNRR84HDWB	419	DTT61016202LG	358
CWST836	291	DK60GY	451	DNRR84LDW	419	DTT6101A115LG	357
CWST848	291	DK60LG	451	DSG1	451	DTT6101A230LG	357
CWST860	291	DK72GY	451	DSTOPK	453	DTT6201A115LG	357
CWST872	291	DMS1615	200	DTS1200A115LG	349	DTT6201A230LG	357
CWST896	291	DNDMS19BK1	425	DTS1200A230LG	349	DTT6201A460LG	357
CWTF10	292	DNDMV19BK1	425	DTS2000A115LG	350	DTT63016401LG	358
CWTF12	292	DNFC48P	390	DTS2000A230LG	350	DTT6301A115LG	357
CWTF2	292	DNFC72P	390	DTS3041A115LG	351	DTT6301A230LG	357
CWTF4	292	DNFCDC2P	390	DTS3041A230LG	351	DTT6301A460LG	357
CWTF6	292	DNFCDC3P	390	DTS3081A115N4SS	359	DTT6401A115LG	358
CWTF8	292	DNFF080BK115	389	DTS3081A230N4SS	359	DTT6401A230LG	357
CWTL10	294	DNFF080BK230	389	DTS3141A115LG	353	DTT6401A460LG	357
CWTL12	294	DNFF080CG115	389	DTS3141A230LG	353	DTT66016801LG	358
CWTL2	294	DNFF080CG230	389	DTS3141SLA115LG	352	DTT6601A460LG	357
CWTL4	294	DNFF080GY115	389	DTS3141SLA230LG	352	DTT6801A460LG	357
CWTL6	294	DNFF080GY230	389	DTS3145A115LG	355	EB150WT	369
CWTL8	294	DNFF080LG115	389	DTS3145A230LG	355	EB190WT	369
DC10024RAIL	414	DNFF080LG230	389	DTS3161A115N3LG	361	EB250WT	369
DC1004224	414	DNFF120BK115	389	DTS3161A230N3LG	361	EB300WT	369
DC1004242	414	DNFF120BK230	389	DTS3161SLA2N3LG	360	EB30WT	369
DC10042RAIL	414	DNFF120CG115	389	DTS3165A115N3LG	365	EB350WT	369
DC100AD24	414	DNFF120CG230	389	DTS3165A230N3LG	365	EB400WT	369
DC100AD42	414	DNFF120GY115	389	DTS3181A115N4SS	363	EB60WT	369
DC100ATIP	414	DNFF120GY230	389	DTS3181A230N4SS	363	ECP12126	238
DC100RHINGE	414	DNFF120LG115	389	DTS3181SLA2N4SS	360	ECP12168	238
DC100SP4242	414	DNFF120LG230	389	DTS3185A115N4SS	365	ECP161610	238
DC2R44	419	DNFF120LG230	389	DTS3185A230N4SS	365	ECP162010	238
DC4R24	420	DNFG	390	DTS3241A115LG	353	ECP202412	238
DC4R2448	420	DNFK1AC120	418	DTS3241A230LG	353	ECP20246	238
DC4R44	420	DNFK2AC120	418	DTS3245A115LG	355	ECPH12	238
DC4R4448	420	DNGL	434	DTS3245A230LG	355	ECPH16	238
DC4RPR24	420	DNMF100AC115	390	DTS3261A115N3LG	361	ECPH20	238
DC4RPR44	420	DNMF100AC230	390	DTS3261A230N3LG	361	ECPH24	238
DC4RSHCM	420	DNMFC	390	DTS3265A115N3LG	365	ECPP1212	238
DCT24	414	DNRMA1916BK1	425	DTS3265A230N3LG	365	ECPP1216	238
DCT42	414	DNRMA1920BK1	425	DTS3281A115N4SS	363	ECPP1616	238
DK12GY	451	DNRMM19BK1	425	DTS3281A230N4SS	363	ECPP1620	238
DK12LG	451	DNRMU1924BK1	425	DTS3285A115N4SS	365	ECPP2024	238
DK12S16	451	DNRMU19BK1	425	DTS3285A230N4SS	365	EHL	31
DK16GY	451	DNRMV1924BK1	425	DTS3341A230LG	367	EHLSS	31
DK16LG	451	DNRMV19BK1	425	DTS3341A460LG	367	EHLNLSS	31
DK16S16	451	DNRR1970DCK	419	DTS3361A230N3LG	367	EHLPL	31
DK20GY	451	DNRR1970LDK	419	DTS3361A460N3LG	367	EHLPLSS	31
DK20LG	451	DNRR1977DCK	419	DTS3381A230N4SS	367	EHTL	31
DK20S16	451	DNRR1977LDK	419	DTS3381A460N4SS	367	EJ10106	4
DK24GY	451	DNRR1984LDK	419	DTS3541A230LG	367	EJ10125	4
DK24LG	451	DNRR2377HDWB	419	DTS3541A460LG	367	EJ1084	4
DK24S16	451	DNRR2384HDWB	419	DTS3561A230N3LG	367	EJ1084S16	72
DK30GY	451	DNRR70HDKB	419	DTS3561A460N3LG	367	EJ1084SS	72
DK30LG	451	DNRR70HDW	419	DTS3581A230N4SS	367	EJ1086	4
DK30S16	451	DNRR70HDWB	419	DTS3581A460N4SS	367	EJ12105	4
DK36GY	451	DNRR70LDW	419	DTS3641A230LG	367	EJ12105S16	72
DK36LG	451	DNRR77HDKB	419	DTS3641A460LG	367	EJ12105SS	72
DK36S16	451	DNRR77HDW	419	DTS3661A230N3LG	367	EJ12108	4
		DNRR77HDWB	419				

Part Number Index

Hammond Part No.	Page
EJ12126	4
EJ12126S16	72
EJ12126SS	72
EJ12146	4
EJ1264	4
EJ14126	4
EJ14126S16	72
EJ14126SS	72
EJ14128	4
EJ14128S16	72
EJ14128SS	72
EJ14166	4
EJ1486	4
EJ16106	4
EJ161410	4
EJ161410S16	72
EJ161410SS	72
EJ16146	4
EJ16146S16	72
EJ16146SS	72
EJ16148	4
EJ443	4
EJ444	4
EJ643	4
EJ644	4
EJ644S16	72
EJ644SS	72
EJ664	4
EJ664S16	72
EJ664SS	72
EJ683	4
EJ8104	4
EJ863	4
EJ863S16	72
EJ863SS	72
EJ866	4
EJ884	4
EJPA	435
EJQTR	434
EJSSQTR	434
EJWKL	435
EN4DH162415LG	408
EN4DH162415WLG	408
EN4DH162424LG	408
EN4DH162424WLG	408
EN4DH202415LG	408
EN4DH202415WLG	408
EN4DH202424LG	408
EN4DH202424WLG	408
EN4DH242415LG	408
EN4DH242415WLG	408
EN4DH242424LG	408
EN4DH242424WLG	408
EN4DH362415LG	408
EN4DH362415WLG	408
EN4DH362424LG	408
EN4DH362424WLG	408
EN4DH482415LG	408

Hammond Part No.	Page
EN4DH482415WLG	408
EN4DH482424LG	408
EN4DH482424WLG	408
EN4DSC20228GY	152
EN4DSC20228SS	156
EN4DSC24228GY	152
EN4DSC24228SS	156
EN4DSC24268GY	152
EN4DSC24268SS	156
EN4DSC30268GY	152
EN4DSC30268SS	156
EN4DSC36268GY	152
EN4DSC36268SS	156
EN4DSC36328GY	152
EN4DSC36328SS	156
EN4DSC423212GY	152
EN4DSC423212SS	156
EN4DSC423812GY	152
EN4DSC423812SS	156
EN4DSC483812GY	152
EN4DSC483812SS	156
EN4DSC603812GY	152
EN4DSC603812SS	156
EN4PLUG40	32
EN4SD12126GY	21
EN4SD12126LG	21
EN4SD12126S16	79
EN4SD12126SS	79
EN4SD12126WSS	82
EN4SD12246GY	21
EN4SD12246LG	21
EN4SD12248GY	21
EN4SD12248LG	21
EN4SD161210GY	21
EN4SD161210LG	21
EN4SD161210S16	79
EN4SD161210SS	79
EN4SD161210WSS	82
EN4SD16126GY	21
EN4SD16126LG	21
EN4SD16126S16	79
EN4SD16126SS	79
EN4SD16126WGY	24
EN4SD16126WLG	24
EN4SD16126WSS	82
EN4SD16128GY	21
EN4SD16128LG	21
EN4SD16128S16	79
EN4SD16128SS	79
EN4SD16128WGY	24
EN4SD16128WLG	24
EN4SD161610GY	21
EN4SD161610LG	21
EN4SD161610S16	79
EN4SD161610SS	79
EN4SD16166GY	21
EN4SD16166LG	21
EN4SD16166S16	79
EN4SD16166SS	79
EN4SD16166WGY	24
EN4SD16166WLG	24

Hammond Part No.	Page
EN4SD16166SS	79
EN4SD16168GY	21
EN4SD16168LG	21
EN4SD16168S16	79
EN4SD16168SS	79
EN4SD162010GY	21
EN4SD162010LG	21
EN4SD162010S16	79
EN4SD162010SS	79
EN4SD16206GY	21
EN4SD16206LG	21
EN4SD16206SS	79
EN4SD16208GY	21
EN4SD16208LG	21
EN4SD16208S16	79
EN4SD16208SS	79
EN4SD20126GY	21
EN4SD20126LG	21
EN4SD20128GY	21
EN4SD20128LG	21
EN4SD201610GY	21
EN4SD201610LG	21
EN4SD201610S16	79
EN4SD201610SS	79
EN4SD201610WSS	82
EN4SD201612GY	22
EN4SD201612LG	22
EN4SD20166GY	21
EN4SD20166LG	21
EN4SD20166S16	79
EN4SD20166SS	79
EN4SD20166WGY	24
EN4SD20166WLG	24
EN4SD20166WSS	82
EN4SD20168GY	21
EN4SD20168LG	21
EN4SD20168S16	79
EN4SD20168SS	79
EN4SD20168WGY	24
EN4SD20168WLG	24
EN4SD20168WSS	82
EN4SD202010GY	21
EN4SD202010LG	21
EN4SD202010S16	79
EN4SD202010SS	79
EN4SD202012GY	22
EN4SD202012LG	22
EN4SD202012S16	79
EN4SD202012SS	79
EN4SD202012WGY	24
EN4SD202012WLG	24
EN4SD202012WSS	82
EN4SD20206GY	21
EN4SD20206LG	21
EN4SD20206S16	79
EN4SD20206SS	79
EN4SD20206WGY	24
EN4SD20206WLG	24

Hammond Part No.	Page
EN4SD20206WLG	24
EN4SD20206WSS	82
EN4SD20208GY	21
EN4SD20208LG	21
EN4SD20208S16	79
EN4SD20208SS	79
EN4SD20208WGY	24
EN4SD20208WLG	24
EN4SD20208WSS	82
EN4SD202410GY	21
EN4SD202410LG	21
EN4SD202410S16	79
EN4SD202410SS	79
EN4SD20246GY	21
EN4SD20246LG	21
EN4SD20248GY	21
EN4SD20248LG	21
EN4SD20248SS	79
EN4SD241210GY	21
EN4SD241210LG	21
EN4SD24126GY	21
EN4SD24126LG	21
EN4SD24128GY	21
EN4SD24128LG	21
EN4SD241610GY	22
EN4SD241610LG	22
EN4SD241610S16	79
EN4SD241610SS	79
EN4SD24166GY	21
EN4SD24166LG	21
EN4SD24168GY	21
EN4SD24168LG	21
EN4SD24168S16	79
EN4SD24168SS	79
EN4SD242010GY	22
EN4SD242010LG	22
EN4SD242010S16	79
EN4SD242010SS	79
EN4SD242010SSWH	84
EN4SD242010WSS	82
EN4SD242012GY	22
EN4SD242012LG	22
EN4SD242012WGY	24
EN4SD242012WLG	24
EN4SD242016GY	22
EN4SD242016LG	22
EN4SD24206GY	21
EN4SD24206LG	21
EN4SD24206SS	79
EN4SD24206WGY	24
EN4SD24206WLG	24
EN4SD24208GY	21
EN4SD24208LG	21
EN4SD24208S16	79
EN4SD24208SS	79
EN4SD24208SSWH	84
EN4SD24208WGY	24
EN4SD24208WLG	24

Part Number Index

Hammond Part No.	Page
EN4TD366012GY	28
EN4TD366012LG	28
EN4TD484812GY	28
EN4TD484812LG	28
EP1212	437
EP1224	437
EP1612	437
EP1616	437
EP1620	437
EP2012	437
EP2016	437
EP2020	437
EP2024	437
EP2412	437
EP2416	437
EP2420	437
EP2424	437
EP2430	437
EP2442	437
EP2448	437
EP3012	437
EP3016	437
EP3020	437
EP3024	437
EP3030	437
EP3036	437
EP3042	437
EP3048	437
EP3060	437
EP3624	437
EP3630	437
EP3636	437
EP3642	437
EP3648	437
EP3660	437
EP4224	437
EP4230	437
EP4236	437
EP4824	437
EP4830	437
EP4836	437
EP4848	437
EP6036	437
EP7230	437
EP7236	437
EP90WT	369
EPA	434
EPDHR10	408
EPDHR12	408
EPDHR19	408
EPDHR26	408
EPDHR7	408
EPG1212	437
EPG1224	437
EPG1612	437
EPG1616	437
EPG1620	437
EPG2012	437

Hammond Part No.	Page
EPG2016	437
EPG2020	437
EPG2024	437
EPG2412	437
EPG2416	437
EPG2420	437
EPG2424	437
EPG2430	437
EPG2442	437
EPG2448	437
EPG3012	437
EPG3016	437
EPG3020	437
EPG3024	437
EPG3030	437
EPG3036	437
EPG3042	437
EPG3048	437
EPG3060	437
EPG3624	437
EPG3630	437
EPG3636	437
EPG3642	437
EPG3648	437
EPG3660	437
EPG4224	437
EPG4230	437
EPG4236	437
EPG4824	437
EPG4830	437
EPG4836	437
EPG4848	437
EPG6036	437
EPG7230	437
EPG7236	437
EPGDH1624	408
EPGDH2024	408
EPGDH2424	408
EPGDH3624	408
EPGDH4824	408
EPINSS	29
EQTRL	434
ES16MFHD	31
ESF2424	30
ESF3024	30
ESF3624	30
ESP1212	29
ESP1612	29
ESP1616	29
ESP1620	29
ESP2016	29
ESP2020	29
ESP2024	29
ESP2416	29
ESP2420	29
ESP2424	29
ESP3020	29
ESP3024	29

Hammond Part No.	Page
ESP3030	29
ESP3624	29
ESP3630	29
ESP3636	29
ESP4236	29
ESP4824	29
ESP4836	29
ESP6036	29
ESSMFHD	31
EZPMFHD	31
F1868	436
F2068	436
F2420	138
F2424	138
F3024	138
FAN10A115	390
FAN10A220	390
FAN10FG	390
FAN150AC115	390
FAN150AC230	390
FAN150FG	390
FAN80AC115	390
FAN80AC230	390
FAN80FG	390
FDS1	204
FDS1212GY	456
FDS1818GY	456
FLHTF125A115	393
FLHTF125A230	393
FLHTF200A115	393
FLHTF200A230	393
FLHTF400A115	393
FLHTF400A230	393
FLHTF800A115	393
FLHTF800A230	393
FLK10LED	452
FLK15LED	452
FLK17LED	452
FLK18MM	452
FLK18T8	452
FLK24T8	452
FLK48MM	452
FLK48T8	452
FLK5LED	452
FLK7LED	452
FLKDS	452
FLMTGBRK	204
FP3F115	392
FT300HA1BK	391
FT300TA1BK	391
FT600HA1BK	391
FT600TA1BK	391
FT900HA1BK	391
FT900TA1BK	391
FWB191UBK	423
FWB192UBK	423
FWB194UBK	423
GP063GY	446

Hammond Part No.	Page
GP063LG	446
GP134GY	446
GP134LG	446
GP136GY	446
GP136LG	446
GP216GY	446
GP216LG	446
GRDBAR600	203
GRDBAR800	203
GRDKIT01	451
GRDKIT02	451
H4500A	392
HAK19800	202
HB2160A	392
HB3250A	392
HCR16SZPL	202
HCR18SZPL	202
HCR20SZPL	202
HCR22SZPL	202
HFMD14105	190
HFMD1485	190
HFMD1685	190
HFMD1686	190
HFMD18105	190
HFMD1884	190
HFMD1885	190
HFMD20105	190
HFMD20106	190
HFMD2085	190
HFMD2086	190
HFMD2088	190
HFMD22105	190
HFMD2286	190
HFMDT18164	190
HFMDT18165	190
HFMDT18184	190
HFMDT18185	190
HFMDT18186	190
HFMDT20165	190
HFMDT20166	190
HFMDT20168	190
HFMDT20185	190
HGD14	195
HGD15	195
HGD16	195
HGD18	195
HGD34	195
HGD35	195
HGD36	195
HGD38	195
HGDSR10	196
HGDSR4	196
HGDSR5	196
HGDSR6	196
HGDSR8	196
HGDSR9	196
HGS3	196
HGV115	196

Part Number Index

Hammond Part No.	Page
HGV135	196
HGV155	196
HGV175	196
HGV195	196
HGV35	196
HGV55	196
HGV75	196
HGV95	196
HLF4	191
HME1465	186
HME1466	186
HME1468	186
HME1485	186
HME1486	186
HME1488	186
HME1665	186
HME1666	186
HME1668	186
HME1685	186
HME1686	186
HME1688	186
HME18104	186
HME18105	186
HME18106	186
HME18108	186
HME1864	186
HME1865	186
HME1866	186
HME1868	186
HME1884	186
HME1885	186
HME1886	186
HME1888	186
HME20106	186
HME20108	186
HME2045	186
HME2064	186
HME2065	186
HME2066	186
HME2068	186
HME2084	186
HME2085	186
HME2086	186
HME2088	186
HME22105	186
HME22106	186
HME2246	186
HME2265	186
HME2266	186
HME2285	186
HME2286	186
HME2288	186
HMEDBPI	204
HMEDBPK	204
HMEDW146	193
HMEDW148	193
HMEDW166	193
HMEDW168	193

Hammond Part No.	Page
HMEDW186	193
HMEDW188	193
HMEDW206	193
HMEDW208	193
HMEDW226	193
HMEDW228	193
HMEHLKL	204
HMEHLNL	204
HMEHSLK	204
HMEHSLPL	204
HMEIPMTG	197
HMEJK	192
HMELA2	194
HMENLINS	204
HMEP1410	197
HMEP1412	197
HMEP146	197
HMEP148	197
HMEP1612	197
HMEP166	197
HMEP168	197
HMEP1810	197
HMEP1812	197
HMEP1816	197
HMEP1818	197
HMEP186	197
HMEP188	197
HMEP2010	197
HMEP2012	197
HMEP2016	197
HMEP2018	197
HMEP204	197
HMEP206	197
HMEP208	197
HMEP2210	197
HMEP2212	197
HMEP224	197
HMEP226	197
HMEP228	197
HMEPB14	200
HMEPB16	200
HMEPB18	200
HMEPB20	200
HMEPB22	200
HMESLCPI	204
HMESQI7	204
HMESQI8	204
HMESQK8	204
HMESWF166	201
HMESWF168	201
HMESWF186	201
HMESWF188	201
HMESWF206	201
HMESWF208	201
HMESWF226	201
HMESWF228	201
HMESWK4	201
HMESWK5	201

Hammond Part No.	Page
HMESWK6	201
HMESWK8	201
HMET14125	188
HMET14126	188
HMET14128	188
HMET16125	188
HMET16126	188
HMET16128	188
HMET18104	188
HMET18124	188
HMET18125	188
HMET18126	188
HMET18128	188
HMET18164	188
HMET18165	188
HMET18166	188
HMET18168	188
HMET18184	188
HMET18185	188
HMET18186	188
HMET18188	188
HMET1885	188
HMET1886	188
HMET20105	188
HMET20106	188
HMET20124	188
HMET20125	188
HMET20126	188
HMET20128	188
HMET20165	188
HMET20166	188
HMET20168	188
HMET20185	188
HMET20186	188
HMET20188	188
HMET22106	188
HMET22125	188
HMET22126	188
HMETRI6	204
HMETRI7	204
HMETRI8	204
HMETRK6	204
HMETRK8	204
HMIK	202
HN4FM604810	46
HN4FM604812S16	100
HN4FM604812SS	100
HN4FM604818S16	100
HN4FM604818SS	100
HN4FM606012	46
HN4FM606012S16	100
HN4FM606012SS	100
HN4FM726012	46
HN4FM726012S16	100
HN4FM726012SS	100
HN4FM727212	46
HN4FM727212S16	100
HN4FM727212SS	100

Hammond Part No.	Page
HN4FM727224	46
HN4FM727224S16	100
HN4FM727224SS	100
HN4FS602418SS	106
HN4FS603624SS	106
HN4FS722418SS	106
HN4FS722424SS	106
HN4FS722518	54
HN4FS723018SS	106
HN4FS723024SS	106
HN4FS723124	54
HN4FS723618SS	106
HN4FS723624SS	106
HN4FS723630SS	106
HN4FS723636SS	106
HN4FS723724	54
HN4FS902420SS	106
HN4FS903620SS	106
HN4FS903624SS	106
HN4FS903636SS	106
HN4WM24428S16	94
HN4WM24428SS	94
HN4WM24488S16	94
HN4WM24488SS	94
HN4WM304210S16	94
HN4WM304210SS	94
HN4WM304810S16	94
HN4WM304810SS	94
HN4WM306010S16	94
HN4WM306010SS	94
HN4WM364212S16	94
HN4WM364212SS	94
HN4WM364812S16	94
HN4WM364812SS	94
HN4WM366012S16	94
HN4WM366012SS	94
HN4WM424212S16	94
HN4WM424212SS	94
HN4WM424812S16	94
HN4WM424812SS	94
HN4WM426012S16	94
HN4WM426012SS	94
HN4WM484812S16	94
HN4WM484812SS	94
HP100	435
HP100SS	435
HP125	435
HP125SS	435
HP150	435
HP150SS	435
HP200	435
HP200SS	435
HP22	435
HP22SS	435
HP250	435
HP300	435
HP350	435
HP400	435

Part Number Index

Part Number Index

Hammond Part No.	Page
HP50	435
HP50SS	435
HP75	435
HP75SS	435
HPB	435
HPB19003BK1	423
HPB19005BK1	423
HPB19007BK1	423
HPBSS	435
HPLD14	191
HPLD15	191
HPLD16	191
HPLD18	191
HPLD24	191
HPLD25	191
HPLD26	191
HPLD28	191
HPLW110	191
HPLW112	191
HPLW116	191
HPLW118	191
HPLW14	191
HPLW16	191
HPLW18	191
HPLW210	191
HPLW212	191
HPLW216	191
HPLW218	191
HPLW24	191
HPLW26	191
HPLW28	191
HPR16SZPL	202
HPR18SZPL	202
HPR20SZPL	202
HPR22SZPL	202
HSBP145	199
HSBP146	199
HSBP148	199
HSBP165	199
HSBP166	199
HSBP168	199
HSBP184	199
HSBP185	199
HSBP186	199
HSBP188	199
HSBP204	199
HSBP205	199
HSBP206	199
HSBP208	199
HSBP225	199
HSBP226	199
HSBP228	199
HSCRD	202
HSIK	202
HSIP145	198
HSIP146	198
HSIP148	198
HSIP165	198

Hammond Part No.	Page
HSIP166	198
HSIP168	198
HSIP184	198
HSIP185	198
HSIP186	198
HSIP188	198
HSIP204	198
HSIP205	198
HSIP206	198
HSIP208	198
HSIP225	198
HSIP226	198
HSIP228	198
HSP145	192
HSP146	192
HSP148	192
HSP165	192
HSP166	192
HSP168	192
HSP184	192
HSP185	192
HSP186	192
HSP188	192
HSP204	192
HSP205	192
HSP206	192
HSP208	192
HSP225	192
HSP226	192
HSP228	192
HTCM106	194
HTCM126	194
HTCM3106	194
HTCM3126	194
HTCM346	194
HTCM366	194
HTCM386	194
HTCM46	194
HTCM66	194
HTCM86	194
HTCMS36	194
HTCMS6	194
HWM2412U11BK	406
HWM2412U20BK	406
HWM2412U26BK	406
HWM2420U11BK	406
HWM2420U20BK	406
HWM2420U26BK	406
HWM2424U11BK	406
HWM2424U20BK	406
HWM2424U26BK	406
HWM2432U11BK	406
HWM2432U20BK	406
HWM2432U26BK	406
HWMPCCLIP	406
HWMPD2412UBK	406
HWMPD2420UBK	406
HWMPD2424UBK	406

Hammond Part No.	Page
HWMPD2432UBK	406
HWMSD2412UBK	406
HWMSD2420UBK	406
HWMSD2424UBK	406
HWMSD2432UBK	406
HWMSLOCK	406
HWMSR12U	406
HWMSR20U	406
HWMSR24U	406
HWMSR32U	406
HWMTR12U	406
HWMTR20U	406
HWMTR24U	406
HWMTR32U	406
ISPTPKIT	192
KVDTX	370
LFK1101	402
LFK1510	402
LFK55	402
LFK56	402
LFK610	402
LFK66	402
LFK68	402
LFK810	402
LFK88	402
MHK1	430
MHK1SS	430
MHK2	430
MHK2SS	430
MHK3	430
MHK3SS	430
MHKD1	430
MHKD1SS	430
MHKD2	430
MHKD2SS	430
MHKD3	430
MHKD3SS	430
MHKL1	430
MHKL1SS	430
MHKL2	430
MHKL2SS	430
MHKL3	430
MHKL3SS	430
MPB1	252
MPB12	252
MPB2	252
MPB3	252
MPB4	252
MPB6	252
MPB9	252
N1A16127	326
N1A16129	326
N1A16167	326
N1A16207	326
N1A20167	326
N1A20169	326
N1A20207	326
N1A20209	326

Hammond Part No.	Page
N1A20249	326
N1A24167	326
N1A242012	326
N1A24207	326
N1A24209	326
N1A242412	326
N1A24247	326
N1A24249	326
N1A30207	326
N1A30209	326
N1A302412	326
N1A30247	326
N1A30249	326
N1A30309	326
N1A36247	326
N1A36249	326
N1A363012	326
N1A36307	326
N1A36309	326
N1A42249	326
N1A423012	326
N1A423612	326
N1A483612	326
N1J10104	324
N1J10106	324
N1J1084	324
N1J1086	324
N1J12104	324
N1J12106	324
N1J12124	324
N1J12126	324
N1J12128	324
N1J14124	324
N1J14126	324
N1J14128	324
N1J16126	324
N1J20126	324
N1J664	324
N1J864	324
N1J884	324
N1J886	324
N1JLK	431
N1JP1010PP	439
N1JP108	340
N1JP108PP	439
N1JP1210	340
N1JP1210PP	439
N1JP1212	340
N1JP1212PP	439
N1JP1412PP	439
N1JP1612PP	439
N1JP2012PP	439
N1JP64	340
N1JP66	340
N1JP66PP	439
N1JP86	340
N1JP86PP	439
N1JP88	340

Part Number Index

Hammond Part No.	Page
N1JP88PP	439
N1WF1084	334
N1WF12104	334
N1WF16124	334
N1WF20164	334
N1WF24204	334
N1WF864	334
N1WS1084	332
N1WS1086	332
N1WS1088	332
N1WS12104	332
N1WS12106	332
N1WS12108	332
N1WS16124	332
N1WS16126	332
N1WS16128	332
N1WS20164	332
N1WS20166	332
N1WS20168	332
N1WS24204	332
N1WS24206	332
N1WS24208	332
N1WS864	332
N1WS866	332
N1WS868	332
P1868	436
P2068	436
PBCOVER	423
PBFS19001BK2	426
PBFS19003BK2	426
PBFS19005BK2	426
PBPA19001BK2	426
PBPA19003BK2	426
PBPA19005BK2	426
PBPS19001BK2	426
PBPS19003BK2	426
PBPS19005BK2	426
PBR50BC	447
PBR50BG	447
PBR50BLGR24V	447
PBR50BLRE24V	447
PBR50BLYE24V	447
PBR50CLAM	447
PBR50CLBL	447
PBR50CLCL	447
PBR50CLGR	447
PBR50CLRE	447
PBR50CLYE	447
PBR50EXT	447
PBR50L115	447
PBR50L24	447
PBR50LED115	447
PBR50LED24	447
PBR50LS	447
PBR50MG	447
PBR50S100	447

Hammond Part No.	Page
PBR50S250	447
PBR50T100	447
PBR50T250	447
PBR50T400	447
PBR50TG	447
PCMBS19001BK1	426
PCMBS19003BK1	426
PCMBS23001BK1	426
PCMBS23003BK1	426
PCMDD19001BK1	426
PCMDD19003BK1	426
PCMDD19005BK1	426
PCMDS19001BK1	426
PCMDS19003BK1	426
PCMDS19005BK1	426
PF1000	383
PF1000230	383
PF11000T12LG	371
PF11000T12LG230	371
PF11000T12LG24	371
PF2000	383
PF2000230	383
PF22000T12LG	371
PF22000T12LG230	371
PF22000T12LG24	371
PF2500	383
PF2500230	383
PF3000	383
PF3000230	383
PF32000T12LG	373
PF32000T12LG230	373
PF32000T12LG24	373
PF33000T12LGS	381
PF33000T12LGS2	381
PF330DCT12LGS2	381
PF42500T12LG	375
PF42500T12LG230	375
PF42500T12LG24	375
PF43000T12LG	375
PF43000T12LG230	375
PF43000T12LG24	375
PF5000	383
PF5000230	383
PF6000	383
PF6000230	383
PF65000T12LG	377
PF65000T12LG230	377
PF65000T12LGS	381
PF65000T12LGS2	381
PF66000T12LG	377
PF66000T12LG230	377
PF67000T12LG	377
PF67000T12LG230	377
PF67000T12LGS	381
PF67000T12LGS2	381
PF67000T12LGS4	381

Hammond Part No.	Page
PF7000	383
PF7000230	383
PFA1000	385
PFA10000LG	382
PFA2000	385
PFA20000LG	382
PFA3000	385
PFA30000LG	382
PFA40000LG	382
PFA5000	385
PFA60000LG	382
PFF1000	385
PFF10000	382
PFF2000	385
PFF20000	382
PFF3000	385
PFF30000	382
PFF40000	382
PFF5000	385
PFF60000	382
PG1BK	385
PG2BK	385
PG3BK	385
PG5BK	385
PHK1	431
PHK2	431
PHK3	431
PHKL1	431
PHKL2	431
PHKL3	431
PHM15GY	457
PHM25GY	457
PHM35GY	457
PHW201610	144
PHW201612	144
PHW20166	144
PHW20168	144
PHW241210	144
PHW24208	144
PHW242410	144
PHW302010	144
PHW30208	144
PHW302410	144
PHW302412	144
PHW30247	144
PHW363010	144
PHW363012	144
PHW483616	144
PHW603616	144
PJ1084	118
PJ1084H	118
PJ1084HP9	269
PJ1084HW	121
PJ1084L	119
PJ1084LW	122
PJ1084P9	269

Hammond Part No.	Page
PJ1084R	123
PJ1084RH	124
PJ1084RHW	124
PJ1084RL	125
PJ1084RLW	125
PJ1084RT	127
PJ1084RTW	127
PJ1084RW	123
PJ1084T	120
PJ1084TW	122
PJ1084W	121
PJ1086	118
PJ1086H	118
PJ1086HP12	269
PJ1086HP9	269
PJ1086HW	121
PJ1086L	119
PJ1086LW	122
PJ1086P12	269
PJ1086P9	269
PJ1086R	123
PJ1086RH	124
PJ1086RHW	124
PJ1086RL	125
PJ1086RLW	125
PJ1086RT	127
PJ1086RTW	127
PJ1086RW	123
PJ1086T	120
PJ1086TW	122
PJ1086W	121
PJ12106	118
PJ12106H	118
PJ12106HP16	269
PJ12106HP20	269
PJ12106HW	121
PJ12106L	119
PJ12106LW	122
PJ12106P16	269
PJ12106P20	269
PJ12106R	123
PJ12106RH	124
PJ12106RHW	124
PJ12106RL	125
PJ12106RLW	125
PJ12106RT	127
PJ12106RTW	127
PJ12106RW	123
PJ12106T	120
PJ12106TW	122
PJ12106W	121
PJ14126	118
PJ14126H	118
PJ14126HP25	269
PJ14126HW	121
PJ14126L	119

Part Number Index

Hammond Part No.	Page
PJ14126LW	122
PJ14126P25	269
PJ14126R	123
PJ14126RH	124
PJ14126RHW	124
PJ14126RL	125
PJ14126RLW	125
PJ14126RT	127
PJ14126RTW	127
PJ14126RW	123
PJ14126T	120
PJ14126TW	122
PJ14126W	121
PJ16148	118
PJ16148H	118
PJ16148HP30	269
PJ16148HW	121
PJ16148L	119
PJ16148LW	122
PJ16148P30	269
PJ16148R	123
PJ16148RH	124
PJ16148RHW	124
PJ16148RL	125
PJ16148RLW	125
PJ16148RT	127
PJ16148RTW	127
PJ16148RW	123
PJ16148T	120
PJ16148TW	122
PJ16148W	121
PJ18168	118
PJ18168H	118
PJ18168HP42	269
PJ18168HW	121
PJ18168L	119
PJ18168LW	122
PJ18168P42	269
PJ18168R	123
PJ18168RH	124
PJ18168RHW	124
PJ18168RL	125
PJ18168RLW	125
PJ18168RT	127
PJ18168RTW	127
PJ18168RW	123
PJ18168T	120
PJ18168TW	122
PJ18168W	121
PJ20168	118
PJ20168H	118
PJ20168HW	121
PJ20168L	119
PJ20168LW	122
PJ20168R	123
PJ20168RH	124

Hammond Part No.	Page
PJ20168RHW	124
PJ20168RL	125
PJ20168RLW	125
PJ20168RT	127
PJ20168RTW	127
PJ20168RW	123
PJ20168T	120
PJ20168TW	122
PJ20168W	121
PJ242010RL	125
PJ242010RLW	125
PJ242010RT	127
PJ242010RTW	127
PJ24208RL	125
PJ24208RLW	125
PJ24208RT	127
PJ24208RTW	127
PJ242410RL	125
PJ242410RLW	125
PJ242410RT	127
PJ242410RTW	127
PJ24248RL	125
PJ24248RLW	125
PJ24248RT	127
PJ24248RTW	127
PJ302410RL	125
PJ302410RLW	125
PJ302410RT	127
PJ302410RTW	127
PJ30248RL	125
PJ30248RLW	125
PJ30248RT	127
PJ30248RTW	127
PJ664	118
PJ664H	118
PJ664HP4	269
PJ664HW	121
PJ664L	119
PJ664LW	122
PJ664P4	269
PJ664R	123
PJ664RH	124
PJ664RHW	124
PJ664RL	125
PJ664RLW	125
PJ664RT	127
PJ664RTW	127
PJ664RW	123
PJ664T	120
PJ664TW	122
PJ664W	121
PJ744	268
PJ744FS	268
PJ744P1	268
PJ744P2	268
PJ744P221	268

Hammond Part No.	Page
PJ744P222	268
PJ864	118
PJ864H	118
PJ864HP6	269
PJ864HW	121
PJ864L	119
PJ864LW	122
PJ864P6	269
PJ864R	123
PJ864RH	124
PJ864RHW	124
PJ864RL	125
PJ864RLW	125
PJ864RT	127
PJ864RTW	127
PJ864RW	123
PJ864T	120
PJ864TW	122
PJ864W	121
PJ944	268
PJ944FS	268
PJ944P223	268
PJ944P3	268
PJFPUWM108	138
PJFPUWM1210	138
PJFPUWM1412	138
PJFPUWM1614	138
PJFPUWM1816	138
PJFPUWM2016	138
PJFPUWM6	138
PJFS722525	141
PJFS724925DD	141
PJP74	268
PJP94	268
PJPOLEMNT10	458
PJPOLEMNT12	458
PJPOLEMNT14	458
PJPOLEMNT16	458
PJPOLEMNT20	458
PJPOLEMNT24	458
PJPOLEMNT8	458
PJSP108	138
PJSP1210	138
PJSP1412	138
PJSP1614	138
PJSP1816	138
PJSP2016	138
PJSP2420	138
PJSP2424	138
PJSP3024	138
PJSPU108	138
PJSPU1210	138
PJSPU1412	138
PJSPU1614	138
PJSPU1816	138
PJSPU2016	138

Hammond Part No.	Page
PJU1084	133
PJU1084CC	134
PJU1084CCF	134
PJU1084CCH	136
PJU1084CCHF	136
PJU1084CCL	130
PJU1084CCLF	130
PJU1084CCT	132
PJU1084CCTF	132
PJU1084F	133
PJU1084H	135
PJU1084HF	135
PJU1084HW	137
PJU1084HWF	137
PJU1084L	129
PJU1084LF	129
PJU1084LW	137
PJU1084LWF	137
PJU1084T	131
PJU1084TF	131
PJU1084TW	137
PJU1084TWF	137
PJU1084W	137
PJU1084WF	137
PJU12106	133
PJU12106CC	134
PJU12106CCF	134
PJU12106CCH	136
PJU12106CCHF	136
PJU12106CCL	130
PJU12106CCLF	130
PJU12106CCT	132
PJU12106CCTF	132
PJU12106F	133
PJU12106H	135
PJU12106HF	135
PJU12106HW	137
PJU12106HWF	137
PJU12106L	129
PJU12106LF	129
PJU12106LW	137
PJU12106LWF	137
PJU12106T	131
PJU12106TF	131
PJU12106TW	137
PJU12106TWF	137
PJU12106W	137
PJU12106WF	137
PJU14126	133
PJU14126CC	134
PJU14126CCF	134
PJU14126CCH	136
PJU14126CCHF	136
PJU14126CCL	130
PJU14126CCLF	130
PJU14126CCT	132

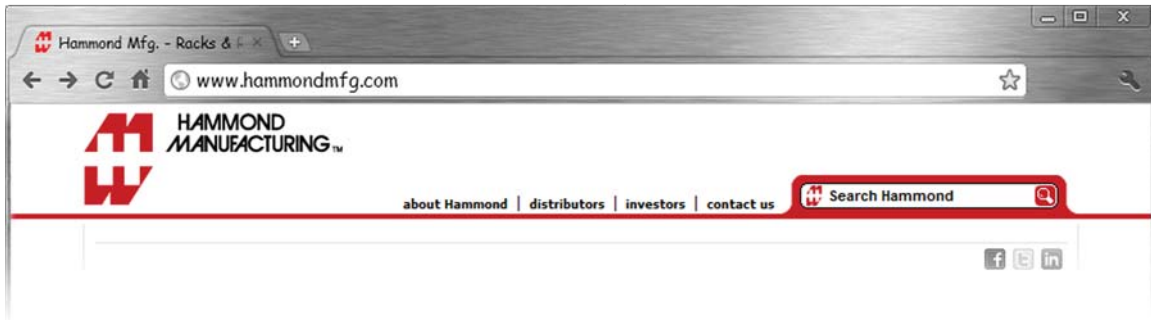
Part Number Index

Hammond Part No.	Page	Hammond Part No.	Page	Hammond Part No.	Page	Hammond Part No.	Page
PJU14126CCTF	132	PJU201610	133	PJU864LW	137	R100-084-000	68
PJU14126F	133	PJU201610F	133	PJU864LWF	137	R100-100-000	68
PJU14126H	135	PJU201610H	135	PJU864T	131	R100-102-000	68
PJU14126HF	135	PJU201610HF	135	PJU864TF	131	R100-104-000	68
PJU14126HW	137	PJU201610HW	137	PJU864TW	137	R100-120-000	68
PJU14126HWF	137	PJU201610HWF	137	PJU864TWF	137	R100-122-000	68
PJU14126L	129	PJU201610L	129	PJU864W	137	R100-124-000	68
PJU14126LF	129	PJU201610LF	129	PJU864WF	137	R100-160-000	68
PJU14126LW	137	PJU201610LW	137	PJW363010L	139	R100-162-000	68
PJU14126LWF	137	PJU201610LWF	137	PJW363014L	139	R100-164-000	68
PJU14126T	131	PJU201610T	131	PJW363610L	139	R100-166-000	68
PJU14126TF	131	PJU201610TF	131	PJW363614L	139	R100-200-000	68
PJU14126TW	137	PJU201610TW	137	PJW483610L	139	R100-202-000	68
PJU14126TWF	137	PJU201610TWF	137	PJW483614L	139	R100-204-000	68
PJU14126W	137	PJU201610W	137	PJW4NFS	138	R100-240-000	68
PJU14126WF	137	PJU201610WF	137	PJW4NLS	138	R100-242-000	68
PJU16148	133	PJU664	133	PJW4NUFS	138	R100-244-000	68
PJU16148CC	134	PJU664CC	134	PJW4NULFS	138	R100-320-000	68
PJU16148CCF	134	PJU664CCF	134	PJW603610L	139	R100-322-000	68
PJU16148CCH	136	PJU664CCH	136	PJW603614L	139	R100-324-000	68
PJU16148CCHF	136	PJU664CCHF	136	PKT1212	456	R130-120-000	113
PJU16148CCL	130	PJU664CCL	130	PKT66	456	R130-122-000	113
PJU16148CCLF	130	PJU664CCLF	130	PKT99	456	R130-124-000	113
PJU16148CCT	132	PJU664CCT	132	PMKEY	204	R130-160-000	113
PJU16148CCTF	132	PJU664CCTF	132	PMSTRAP40	457	R130-162-000	113
PJU16148F	133	PJU664F	133	PMSTRAP55	457	R130-164-000	113
PJU16148H	135	PJU664H	135	PMV1216GY	457	R130-200-000	113
PJU16148HF	135	PJU664HF	135	PMV2024GY	457	R130-202-000	113
PJU16148HW	137	PJU664HW	137	PMV3036GY	457	R140-045-000R	250
PJU16148HWF	137	PJU664HWF	137	PMV4248GY	457	R144-021-000R	246
PJU16148L	129	PJU664L	129	PPFS19001BK2	426	R144-022-000R	246
PJU16148LF	129	PJU664LF	129	PPFS19003BK2	426	R144-041-000R	246
PJU16148LW	137	PJU664LW	137	PPFS19005BK2	426	R144-042-000R	246
PJU16148LWF	137	PJU664LWF	137	PPGFPPA	392	R144-301-000	239
PJU16148T	131	PJU664T	131	PTF60500LG	379	R144-311-000	239
PJU16148TF	131	PJU664TF	131	PTF60500LG230	379	R144-311-500	239
PJU16148TW	137	PJU664TW	137	PTF60700LG	379	R144-321-000	239
PJU16148TWF	137	PJU664TWF	137	PTF60700LG230	379	R144-321-500	239
PJU16148W	137	PJU664W	137	PTF61000LG	379	R147-005-000R	249
PJU16148WF	137	PJU664WF	137	PTF61000LG230	379	R147-005-200R	249
PJU181610	133	PJU864	133	PWS71002A230N4LG	368	R147-010-000R	249
PJU181610F	133	PJU864CC	134	PWS7102A115N4LG	368	R147-010-200R	249
PJU181610H	135	PJU864CCF	134	PWS7102A230N4LG	368	R147-015-000R	248
PJU181610HF	135	PJU864CCH	136	PWS7152A115N4LG	368	R147-015-200R	248
PJU181610HW	137	PJU864CCHF	136	PWS7152A230N4LG	368	R147-020-000R	248
PJU181610HWF	137	PJU864CCL	130	PWS7332A115N4LG	368	R147-020-200R	248
PJU181610L	129	PJU864CCLF	130	PWS7332A230N4LG	368	R147-025-000R	247
PJU181610LF	129	PJU864CCT	132	PWS7502A115N4LG	368	R147-025-200R	247
PJU181610LW	137	PJU864CCTF	132	PWS7502A230N4LG	368	R147-030-000R	250
PJU181610LWF	137	PJU864F	133	PWS7702A230N4LG	368	R147-030-200R	250
PJU181610T	131	PJU864H	135	R100-060-000	68	R147-035-000R	247
PJU181610TF	131	PJU864HF	135	R100-062-000	68	R147-035-200R	247
PJU181610TW	137	PJU864HW	137	R100-064-000	68	R149-005-000	243
PJU181610TWF	137	PJU864HWF	137	R100-066-000	68	R149-005-001	243
PJU181610W	137	PJU864L	129	R100-080-000	68	R149-010-000	244
PJU181610WF	137	PJU864LF	129	R100-082-000	68	R149-010-001	244

Part Number Index

Hammond Part No.	Page	Hammond Part No.	Page	Hammond Part No.	Page	Hammond Part No.	Page
R149-015-000	244	RCSCBAY	418	SHV031139	396	ST483610LG	26
R149-020-000	241	RH20000GY	386	SHV031149	396	ST483612LG	26
R149-020-001	241	RH20000LG	386	SHV031159	396	ST483616LG	26
R149-025-001	240	RH20000SS	386	SKH600NCC	399	ST483616SS	86
R149-025-500	240	RH40000GY	386	SKT011409NC	397	ST603612LG	26
R149-025-501	240	RH40000LG	386	SKT011409NC-C	397	ST603616SS	86
R149-030-000	242	RH40000SS	386	SKT011419NO	397	THK1	431
R149-030-001	242	RH60000GY	386	SKT011419NO-C	397	THK2	431
R149-035-000	240	RH60000LG	386	SKTD541	398	THK3	431
R149-035-001	241	RH60000SS	386	SKTD541C	398	UHDM7218BPA	181
R149-040-000	242	RHA20000G	386	SKTD542	398	UHDM7218ECA	181
RACK1100	369	RHA40000G	386	SKTD542C	398	UHDM7218EPA	181
RACK1700	369	RHA60000G	386	SKTD543	398	UHDM724118MFTC	178
RACK2400	369	RKBM19BK1	425	SKTD543C	398	UHDM724118SFTC	179
RASA12BK3	231	RR19TMDD	421	SKTH012009	399	UHDM727818SFTC	179
RASA16BK3	231	RR19TMDD	421	SKTH012009230	399	UHDM727918MFTC	178
RASA22BK3	231	RR19TMDT	421	SPB1	440	UHDM8418BPA	181
RASB19BK1	231	RR19TMS	421	SPB2	440	UHDM8418ECA	181
RASB24BK1	231	RRALJK	420	SSD03504001	446	UHDM8418EPA	181
RASC1912WH2	231	RRCH20	421	ST12126LG	26	UHDM8424BPA	181
RASC1916WH2	231	RRCH24	421	ST161208SS	86	UHDM8424ECA	181
RASC1922WH2	231	RRCH30	421	ST16126LG	26	UHDM8424EPA	181
RASC2412WH2	231	RRCM1244UD	421	ST161608SS	86	UHDM844118MFTC	178
RASC2416WH2	231	RRCM44UD	421	ST16168LG	26	UHDM844118SFTC	179
RASC2422WH2	231	RRCM844UD	421	ST201608SS	86	UHDM844124MFTC	178
RASE1900815WH2	231	RRCMCH126	421	ST201612SS	86	UHDM844124SFTC	179
RASE1901015WH2	231	RRCMCH65	421	ST20166LG	26	UHDM847818SFTC	179
RASE1901215WH2	231	RRCMCH86	421	ST20168LG	26	UHDM847824SFTC	179
RASU190107UBK1	425	RRHDDOL	422	ST202008SS	86	UHDM847918MFTC	178
RASU190115BK1	425	RRLDCASTER	422	ST202012SS	86	UHDM847924MFTC	178
RASU190120BK1	425	RRLPDOL	422	ST20206LG	26	UHDMFTC72BK	181
RASU190315BK1	425	RRTMEP	422	ST20208LG	26	UHDMFTC84BK	181
RASU190320BK1	425	RRTMJK	422	ST242008SS	86	VPB192UBK	423
RASU190515BK1	425	RSLIDE12	230	ST24208LG	26	VPB194UBK	423
RASU190520BK1	425	RSLIDE16	230	ST242408SS	86	VPB196UBK	423
RASV190107UBK1	425	RSLIDE22	230	ST242410LG	26	XF10115	388
RASV190115BK1	425	SCR027009	394	ST242412LG	26	XF10230	388
RASV190120BK1	425	SCR027009230	394	ST242412SS	86	XF4115	388
RASV190315BK1	425	SCR027019	394	ST24248LG	26	XF4230	388
RASV190320BK1	425	SDA412	400	ST302408SS	86	XF6115	388
RASV190515BK1	425	SDV180	401	ST302410LG	26	XF6230	388
RASV190520BK1	425	SDV280	401	ST302412LG	26	XFF10	388
RCNIT	203	SHG14000	395	ST302412SS	86	XFF4	388
RCSC1902124BK1	418	SHG14001	395	ST302420LG	26	XFF6	388
RCSC1902131BK1	418	SHG14003	395	ST30248LG	26	XFG10	388
RCSC1902136BK1	418	SHG14005	395	ST303008SS	86	XFG4	388
RCSC19021PDBK1	418	SHG14006	395	ST30308LG	26	XFG6	388
RCSC19021SDBK1	418	SHG14007	395	ST363008SS	86	XPFA120BK	390
RCSC19021VDBK1	418	SHG14008	395	ST363010LG	26	XPFA120CG	390
RCSC1904224BK1	418	SHGL04600	394	ST363012LG	26	XPFA120GY	390
RCSC1904231BK1	418	SHGL04601	394	ST363012SS	86	XPFA120LG	390
RCSC1904236BK1	418	SHGM1410	395	ST363016LG	26	XPFA80BK	390
RCSC19042PDBK1	418	SHGM1420	395	ST363016SS	86	XPFA80CG	390
RCSC19042SDBK1	418	SHGM1430	395	ST36308LG	26	XPFA80GY	390
RCSC19042VDBK1	418	SHV031029	396	ST363612LG	26	XPFA80LG	390
RCSCATIP	418	SHV031039	396	ST363612SS	86		

www.hammondmfg.com is the most up to date resource for all Hammond Products.



Easily access the product information you need - it's just a click away!

Easy-Search

Enter a part number or product series to find all available site resources.



Where to Buy?

Hammond Authorized Distributor Listings
- Choose your preferred way to purchase Hammond products



SpecZone

Writing specs for enclosures and need technical information? Visit the Spec Zone: Standards Organization | Corrosion Protection | Two Design Styles | Writing the Specification | Electrical Tech. Section

Hammond Product Divisions

Electrical Enclosures | Small Enclosures
Rack Cabinets | Outlet Strips | Transformers



Downloads

Assembly Bulletins, Product Literature, Price Lists & Catalogues, CAD Drawings

Design Software

Climate Control Sizing: Web based software for either cooling or heating of electrical/electronic enclosures.

Hammond Spotlight

Stay up to date with all new product launches, features and more.

