

DC Dimplexcommercial[®]

ELECTRIC HEATING PRODUCTS

RESIDENTIAL | COMMERCIAL | INDUSTRIAL









Unlock the full power of Dimplex® electric heating

Dimplex CONNEX™ wireless control technology brings innovation to electric heat products and sets a new standard in comfort, energy-efficiency and control for residential and commercial heating. CONNEX™ delivers the ultimate in electric heating simplicity by providing synchronized control of numerous CONNEX™-enabled Smart Heaters. One touch allows control over four zones and daily programming to maximize cost savings without sacrificing the end user's comfort. Reduce installation time, deliver meaningful ROI and improve performance – Dimplex CONNEX™ makes it all possible.

Smart Heaters and CONNEX™ Controllers



-  CONNEX™ wirelessly controls multiple heaters for simple one-touch control
-  Built-in electronic thermostats maximize energy efficiency and comfort
-  Onboard active temperature sensing is more accurate than a wall thermostat
-  Proportional output from both fan and convection heaters - Dimplex exclusive
-  Micro-zone heating allows multiple heaters to respond individually, even on a shared circuit

Look for the  symbol to find our line of CONNEX™-enabled Smart Heaters

INTRODUCTION

About Dimplex® Commercial	1
---------------------------	---

RESIDENTIAL HEATERS

Linear Convactor Baseboard Heater	LCM	NEW	5
Linear Proportional Convactor Baseboard Heater	PCM	NEW	7
Draft Barrier Heater	LCL	NEW	9
Proportional Draft Barrier Heater	PCL	NEW	11
Linear Convactor Heater	LC		13
Linear Proportional Convactor Heater	LPC		15
Precision Comfort Heater	PCH		17
Fan-forced Wall Insert Heater	TWH/RDH		19
Wall-mounted Bathroom Fan Heater	EF		21
Proportional Panel Convactor	PPC		22
Convection Heater	DLX		23
Electronic Convection Heater	DTX		24
Kick Space Heater	CKHA		25
Floor Drop-In Heater	FFIH		26
Portable Construction Heater	DCH		27
Enclosed Motor Construction Heater	EMC		27
Garage / Workshop Heater	DGWH		28

COMMERCIAL HEATERS

Steel Architectural Draft Barrier Heater - Flat Top	SAF6	NEW	31
Steel Architectural Draft Barrier Heater - Slope Top	SAS8	NEW	33
Architectural Draft Barrier Heater	AF6		35
Architectural Slope Top Heater	AS8		37
Architectural Convection Heater	AF12		39
Architectural Slope Top Heater	AS12		41
Architectural Convection Heater	AF20		43
Cabinet Console Heater	CH		45
Ceiling-mounted Heater	CMH	NEW	47
Commercial Fan-forced Heater	RFI / RFV / RFF		49
Commercial Fan-forced Heater	EWA		51
Commercial Hand Dryer	BLAST		53
Commercial Hand Dryer	ONE		54

INDUSTRIAL HEATERS

Industrial Unit Heater	EU		57
Vertical Unit Heater	VUB		59
Compact Unit Heater	CUH		61
Pump House Heater	7150		62
Hose Down Heater	DX-234		63
Explosion-proof Heater	DX-233		65
Explosion-proof Convection Heater	DX-254		67
Radiant Heater	CRT / KR / KRR		70

CONTROLS

Electronic Line Voltage Thermostat	HTC		72
Line Voltage Thermostat	TS / TD		73
Low Voltage Thermostat	T8 / CCTHV		73
TRIAC Electronic Relays	CCT		74
Relay Kits & Transformers	LVR / AT72D		74

WARRANTY

About Dimplex® Commercial

Wherever you go across North America, you'll find Dimplex Commercial heating solutions. From condos and houses, to offices, restaurants and manufacturing plants – Dimplex Commercial is a trusted name in electric heat.

Our commitment is to offer the world's best engineered and most innovative electric heating products, with the finest support available. To better serve you and your needs, Dimplex continuously invests in every area of the business – from product development right through to customer service. This commitment to product innovation through outstanding in-house research has produced advances in both fan and convection heating technology, as well as advanced wireless controls. The ultimate goal is to provide products that give you and your customers complete peace of mind.



Dimplex Commercial is a brand of Dimplex North America Limited, headquartered in a 200,000 square foot facility located in Cambridge, Ontario. To service the company's customer base throughout the United States Dimplex operates a 218,000 square foot distribution facility located in Indianapolis, Indiana.

Dimplex Commercial is committed to quality, innovation and the satisfaction of both you and your customer.

A World of Expertise

Dimplex North America Ltd. is a member of the Glen Dimplex Group of companies of Dublin, Ireland – the world's largest manufacturer of intelligent electric heating products for residential, commercial and industrial heating applications with significant global market positions in domestic appliances, cooling, ventilation, and renewable energy solutions. With considerable experience and expertise in development and design excellence, Glen Dimplex continues to advance as a global leader with new ideas, modern design, and ongoing innovation and reliability.

- Undisputed global leader in electric heating
- Over 10,000 employees worldwide
- Global sales of over \$2.0 billion
- Owned by original founders



With over half a century of building a solid global business reputation, customers have come to trust Glen Dimplex brands, products, and service.

Design, Innovation & Development

"Our customers are entitled to the best – we must ensure our products and customer support meet or exceed their expectations at all times."

Sean O'Driscoll (CEO and Chairman of GD Group)



RESIDENTIAL

Dimplex Commercial makes home heating easier and more energy-efficient with a complete line of innovative heating solutions available in a wide range of styles, heating methods and sizes to suit any room in the home. Expert design and engineering produce professional quality products that are efficient, easy to install and operate, and provide home owners with comfort and peace of mind.



NEW

Linear Proportional Convect
Baseboard Heater
PCM Series

Pg | 7



NEW

Precision Comfort Heater
PCH Series

Pg | 17





Top mounted thermostat can be installed on either side of LCM (optional)

Linear Convactor Baseboard Heater

The Linear Convactor Baseboard Heater is designed with the professional electrician in mind. All aspects of installation and performance have been optimized for simplicity and reliability, while the benchmark styling is maintained.

Features

- 10-20% shorter than conventional baseboards with discreet styling
- Rear junction box for easy wiring
- L-slot side cover easily slides out without removing the screw
- Ships ready to install with front cover removed
- Superior shark-fin blade design for improved heat transfer, quiet operation and longer life
- Full length automatic overheat cut-out for safety
- May be used with wall, or top mounted built-in thermostat (not included)
- Built-in wire way along the full length of the unit

Applications

All Residential Applications | Commercial Offices | Lobbies

Specifications

Voltage	- 120V, 208V, 240V/208V, 347V, 50/60 Hz, 1-phase
Wattage	- Sizes ranging from 500W to 2500W
Color	- White or Almond
Finish	- Polyester/epoxy powder coating resists fading and abrasion
Construction	- 20-gauge steel construction - Front fresh air inlet; top warm air outlet - Linear high-limit temperature control with automatic reset
Heating Element	- Nickel chromium element that is totally enclosed within a stainless steel sheath, providing superior life expectancy and resistance to rust - Shark-fin shaped aluminum fins are firmly staked in an upright position to provide directional wicking for the top discharge heat transfer
Watt Density	- Average standard watt density of 300W/ft (984W/m)
Control	- Built-in thermostat available with a control knob or tamperproof adjustable with a screwdriver - Mechanical and TRIAC relays available
Installation	- Easily removed front caps, knock-outs on both sides of the convactor, pre-stamped mounting holes and separate front panel make installation quick and easy - Large rear-entry junction boxes on both sides to simplify connections
Warranty	- 10-year element warranty - 1-year warranty on complete unit



Ordering Guide

Cat. No.	Watts	Volts	BTU	Length (mm/in)	Weight (kg/lbs.)
LCM2505W11	500	120	1706	635 / 25	2 / 4.4
LCM2505W21	500	208	1706	635 / 25	2 / 4.4
LCM2505W31	500 / 375	240 / 208	1706 / 1280	635 / 25	2 / 4.4
LCM2505W51	500	347	1706	635 / 25	2 / 4.4
LCM3007W11	750	120	2559	762 / 30	2.3 / 5
LCM3007W21	750	208	2559	762 / 30	2.3 / 5
LCM3007W31	750 / 563	240 / 208	2559 / 1919	762 / 30	2.3 / 5
LCM3007W51	750	347	2559	762 / 30	2.3 / 5
LCM4010W11	1000	120	3412	1016 / 40	3.2 / 7.5
LCM4010W21	1000	208	3412	1016 / 40	3.2 / 7.5
LCM4010W31	1000 / 750	240 / 208	3412 / 2559	1016 / 40	3.2 / 7.5
LCM4010W51	1000	347	3412	1016 / 40	3.2 / 7.5
LCM5012W11	1250	120	4265	1270 / 50	3.7 / 8.2
LCM5012W21	1250	208	4265	1270 / 50	3.7 / 8.2
LCM5012W31	1250 / 938	240 / 208	4265 / 3199	1270 / 50	3.7 / 8.2
LCM5012W51	1250	347	4265	1270 / 50	3.7 / 8.2
LCM6015W11	1500	120	5118	1524 / 60	4.4 / 9.7
LCM6015W21	1500	208	5118	1524 / 60	4.4 / 9.7
LCM6015W31	1500 / 1125	240 / 208	5118 / 3839	1524 / 60	4.4 / 9.7
LCM6015W51	1500	347	5118	1524 / 60	4.4 / 9.7
LCM7520W21	2000	208	6824	1905 / 75	5.4 / 11.9
LCM7520W31	2000 / 1500	240 / 208	6824 / 5120	1905 / 75	5.4 / 11.9
LCM7520W51	2000	347	6824	1905 / 75	5.4 / 11.9
LCM9025W21	2500	208	8530	2286 / 90	6.4 / 14.1
LCM9025W31	2500 / 1875	240 / 208	8530 / 6398	2286 / 90	6.4 / 14.1
LCM9025W51	2500	347	8530	2286 / 90	6.4 / 14.1

Note: 1) Standard color is White
 2) To order Almond omit "W" in Cat. No.

Control Options (field installed)

Relays: Mechanical

Cat. No.	Description	Rating
BLLVC11	Low voltage relay & transformer kit	120V, 22A
BLLVC21	Low voltage relay & transformer kit	208V, 22A
BLLVC31	Low voltage relay & transformer kit	240V, 22A
BLLVC51	Low voltage relay & transformer kit	347V, 17A
BLLVD	Low voltage relay less transformer kit	120/208/240V, 22A, 347V, 17A

Relays: TRIAC

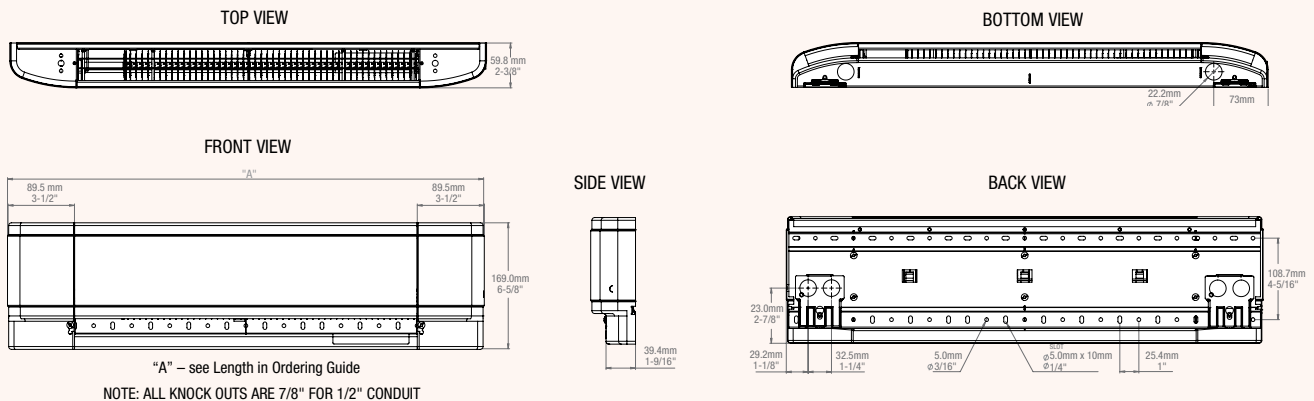
CCT-06-1-S	Without transformer	600V, 6A
CCT-15-1-S	Without transformer	347V, 15A
CCT-15-1-S-T	Comes with transformer	347V, 15A
CCT-15-1-S-T240	Comes with transformer	208/240V, 15A

Thermostat Kits

DTK-SP	Single pole built-in thermostat kit (adjustable)	120-240V, 17A, 347V, 14A
DTK-DP	Double pole built-in thermostat (adjustable)	120-240V, 17A, 347V, 11A
DTKT-SP	Single pole built-in tamperproof thermostat kit	120-240V, 17A, 347V, 11A
DTKT-DP	Double pole built-in tamperproof thermostat kit	120-240V, 25A, 347V, 11A

Note: Each adjustable kit contains white and almond control knobs and hardware.

Dimensions





Built-in Electronic Thermostat

Wireless Control Options



Single-zone CONNEX™ Controller (DPCRWS)



Multi-zone Programmable CONNEX™ Controller (CX-MPC)

Linear Proportional Convector Baseboard Heater

The Linear Proportional Convector Baseboard Heater is designed with the professional electrician in mind. The built-in electronic thermostat accurately proportions the heat output for improved performance and reduced energy consumption.

Features

- 10-20% shorter than conventional baseboards with discreet styling
- Rear junction box for easy wiring
- L-slot side cover easily slides out without removing the screw
- Ships ready to install with front cover removed
- Superior shark-fin blade design for improved heat transfer, quiet operation and longer life
- Consumes up to 33% less energy than conventional baseboards and thermostats*
- On-board electronic thermostat accurately controls heat output, providing stable and consistent room temperatures to within 0.5°C (0.9°F) of desired set point
- Built-in CONNEX™ radio frequency transceiver allows wireless temperature control with optional wall-mounted CONNEX™ controller
- CONNEX™ allows for easy whole-home control of all compatible smart heaters for maximum comfort, energy efficiency and convenience
- Full length automatic overheat cut-out for safety

Applications

All Residential Applications | Commercial Offices | Lobbies

*Compared to BN series with TS521

Specifications

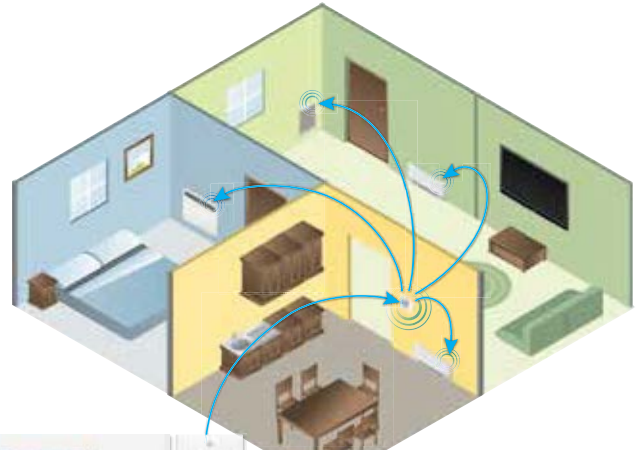
Voltage	- 120V, 208V, 240V/208V, 347V, 50/60 Hz, 1-phase
Wattage	- Sizes ranging from 500W to 2500W
Color	- White
Finish	- Polyester/epoxy powder coating resists fading and abrasion
Construction	- 20-gauge steel construction - Front fresh air inlet; top warm air outlet - Linear high-limit temperature control with automatic reset
Heating Element	- Nickel chromium element that is totally enclosed within a stainless steel sheath, providing superior life expectancy and resistance to rust - Shark-fin shaped aluminum fins are firmly staked in an upright position to provide directional wicking for the top discharge heat transfer
Watt Density	- Average standard watt density of 300W/ft (984W/m)
Control & Wiring	- Supplied with an installed electronic proportioning thermostat for CSA-C828 compliant control; an RF transceiver for remote heat control and whole-home temperature syncing - Wireless control options available for user convenience (optional accessory) - Final connections must be made on right side - Wire way to run wiring from left side
Installation	- Easily removed front caps, knock-outs on both sides of the convector, pre-stamped mounting holes and separate front panel make installation quick and easy - Large rear-entry junction boxes on both sides to simplify connections
Warranty	- 10-year element warranty - 1-year warranty on complete unit

Ordering Guide

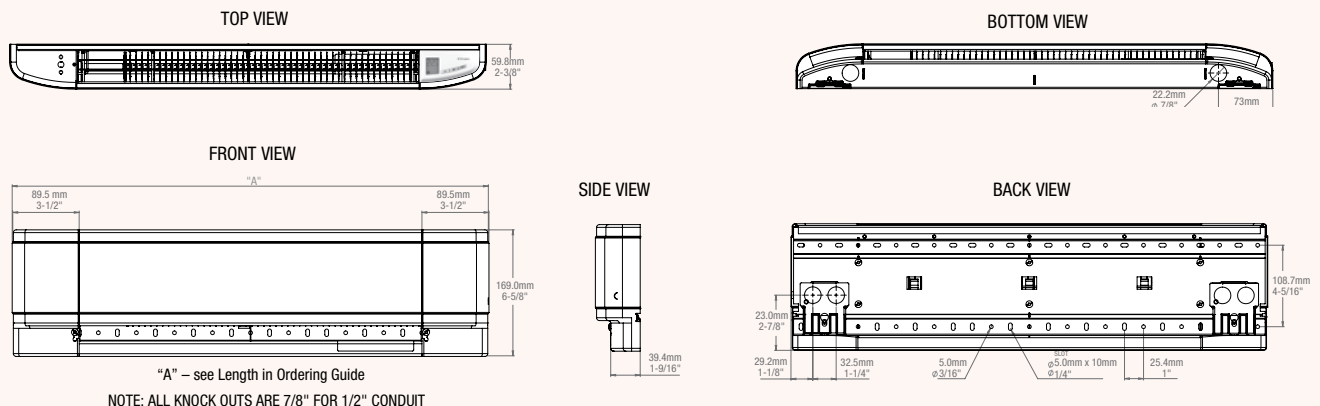
Cat. No.	Watts	Volts	BTU	Length (mm/in)	Weight (kg/lbs.)
PCM2505W11	500	120	1706	635 / 25	2 / 4.4
PCM2505W21	500	208	1706	635 / 25	2 / 4.4
PCM2505W31	500 / 375	240 / 208	1706 / 1280	635 / 25	2 / 4.4
PCM2505W51	500	347	1706	635 / 25	2 / 4.4
PCM3007W11	750	120	2559	762 / 30	2.3 / 5
PCM3007W21	750	208	2559	762 / 30	2.3 / 5
PCM3007W31	750 / 563	240 / 208	2559 / 1919	762 / 30	2.3 / 5
PCM3007W51	750	347	2559	762 / 30	2.3 / 5
PCM4010W11	1000	120	3412	1016 / 40	3.2 / 7.5
PCM4010W21	1000	208	3412	1016 / 40	3.2 / 7.5
PCM4010W31	1000 / 750	240 / 208	3412 / 2559	1016 / 40	3.2 / 7.5
PCM4010W51	1000	347	3412	1016 / 40	3.2 / 7.5
PCM5012W11	1250	120	4265	1270 / 50	3.7 / 8.2
PCM5012W21	1250	208	4265	1270 / 50	3.7 / 8.2
PCM5012W31	1250 / 938	240 / 208	4265 / 3199	1270 / 50	3.7 / 8.2
PCM5012W51	1250	347	4265	1270 / 50	3.7 / 8.2
PCM6015W11	1500	120	5118	1524 / 60	4.4 / 9.7
PCM6015W21	1500	208	5118	1524 / 60	4.4 / 9.7
PCM6015W31	1500 / 1125	240 / 208	5118 / 3839	1524 / 60	4.4 / 9.7
PCM6015W51	1500	347	5118	1524 / 60	4.4 / 9.7
PCM7520W21	2000	208	6824	1905 / 75	5.4 / 11.9
PCM7520W31	2000 / 1500	240 / 208	6824 / 5120	1905 / 75	5.4 / 11.9
PCM7520W51	2000	347	6824	1905 / 75	5.4 / 11.9
PCM9025W21	2500	208	8530	2286 / 90	6.4 / 14.1
PCM9025W31	2500 / 1875	240 / 208	8530 / 6398	2286 / 90	6.4 / 14.1
PCM9025W51	2500	347	8530	2286 / 90	6.4 / 14.1

Wireless Control Options

Cat. No.	Description
DPCRWS	Single-zone CONNEX™ Controller
CX-MPC	Multi-zone Programmable CONNEX™ Controller



Dimensions





Top mounted thermostat can be installed on either side of LCL (optional)

Draft Barrier Heater

The Draft Barrier Heater is designed with the professional electrician in mind, for low clearance installations or as a replacement for existing conventional baseboards.

Features

- Ideal for under windows or for clearances as low as 6 inches (15 cm)
- Rear junction box for easy wiring
- L-slot side cover easily slides out without removing the screw
- Ships ready to install with front cover removed
- Superior shark-fin blade design on a steel tubular element for improved heat transfer, quiet operation and longer life
- Full length automatic overheat cut-out for safety
- May be used with wall, or top mounted built-in thermostat (not included)
- Built-in wire way along the full length of the unit

Applications

All Residential Applications | Commercial Offices | Lobbies

Specifications

Voltage	- 120V, 208V, 240V/208V, 347V, 50/60 Hz, 1-phase
Wattage	- Sizes ranging from 500W to 2000W
Color	- White
Finish	- Polyester/epoxy powder coating resists fading and abrasion
Construction	- 20-gauge steel construction - Front fresh air inlet; top warm air outlet - Linear high-limit temperature control with automatic reset
Heating Element	- Nickel chromium element that is totally enclosed within a stainless steel sheath, providing superior life expectancy and resistance to rust - Shark-fin shaped aluminum fins are firmly staked in an upright position to provide directional wicking for the top discharge heat transfer
Watt Density	- Average watt density of 250W/ft (820W/m)
Control	- Built-in thermostat available with a control knob or tamperproof adjustable with a screwdriver - Mechanical and TRIAC relays available
Installation	- Easily removed front caps, knock-outs on both sides of the unit, pre-stamped mounting holes and separate front panel make installation quick and easy - Large rear-entry junction boxes on both sides to simplify connections
Warranty	- 10-year element warranty - 1-year warranty on complete unit



Ordering Guide

Cat. No.	Watts	Volts	BTU	Length (mm/in)	Weight (kg/lbs.)
LCL3005W11	500	120	1706	762/30	2.4 / 5.25
LCL3005W21	500	208	1706	762/30	2.4 / 5.25
LCL3005W31	500 / 375	240 / 208	1706 / 1280	762/30	2.4 / 5.25
LCL3005W51	500	347	1706	762/30	2.4 / 5.25
LCL5010W11	1000	120	3412	1270/50	3.8 / 8.45
LCL5010W21	1000	208	3412	1270/50	3.8 / 8.45
LCL5010W31	1000 / 750	240 / 208	3412 / 2559	1270/50	3.8 / 8.45
LCL5010W51	1000	347	3412	1270/50	3.8 / 8.45
LCL7015W11	1500	120	5118	1778/70	5.0 / 11.1
LCL7015W21	1500	208	5118	1778/70	5.0 / 11.1
LCL7015W31	1500 / 1125	240 / 208	5118 / 3839	1778/70	5.0 / 11.1
LCL7015W51	1500	347	5118	1778/70	5.0 / 11.1
LCL8520W21	2000	208	6824	2159/85	6.4 / 13.4
LCL8520W31	2000 / 1500	240 / 208	6824 / 5120	2159/85	6.4 / 13.4
LCL8520W51	2000	347	6824	2159/85	6.4 / 13.4

Control Options (field installed)

Relays: Mechanical

Cat. No.	Description	Rating
BLLVC11	Low voltage relay & transformer kit	120V, 22A
BLLVC21	Low voltage relay & transformer kit	208V, 22A
BLLVC31	Low voltage relay & transformer kit	240V, 22A
BLLVC51	Low voltage relay & transformer kit	347V, 17A
BLLVD	Low voltage relay less transformer kit	120/208/240V, 22A, 347V, 17A

Thermostat Kits

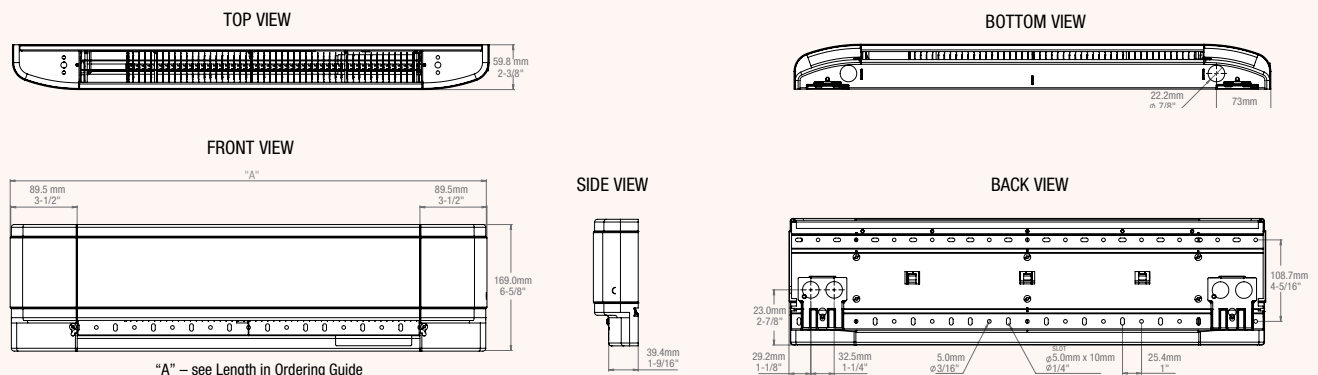
Cat. No.	Description	Rating
DTK-SP	Single pole built-in thermostat kit (adjustable)	120-240V, 17A, 347V, 14A
DTK-DP	Double pole built-in thermostat (adjustable)	120-240V, 17A, 347V, 11A
DTKT-SP	Single pole built-in tamperproof thermostat kit	120-240V, 17A, 347V, 11A
DTKT-DP	Double pole built-in tamperproof thermostat kit	120-240V, 25A, 347V, 11A

Note: Each adjustable kit contains white and almond control knobs and hardware.

Relays: TRIAC

CCT-06-1-S	Without transformer	600V, 6A
CCT-15-1-S	Without transformer	347V, 15A
CCT-15-1-S-T	Comes with transformer	347V, 15A
CCT-15-1-S-T240	Comes with transformer	208/240V, 15A

Dimensions





Built-in Electronic Thermostat

Wireless Control Options



Single-zone CONNEX™ Controller (DPCRWS)



Multi-zone Programmable CONNEX™ Controller (CX-MPC)

Proportional Draft Barrier Heater

The Proportional Draft Barrier Heater combines a low-clearance design with a full suite of advanced electronics including built-in electronic thermostat and CONNEX™ wireless control capability.

Features

- Ideal for under windows or for clearances as low as 6 inches (15 cm)
- Rear junction box for easy wiring
- L-slot side cover easily slides out without removing the screw
- Ships ready to install with front cover removed
- Superior shark-fin blade design on a steel tubular element for improved heat transfer, quiet operation and longer life
- Consumes up to 33% less energy than conventional baseboards and thermostats*
- On-board digital electronic thermostat accurately controls heat output, providing precise room temperatures to within 0.5°C (0.9°F) of desired set point
- Built-in CONNEX™ radio frequency transceiver allows wireless temperature control with optional wall-mounted CONNEX™ controllers
- CONNEX™ allows for easy whole-home control of all compatible smart heaters for maximum comfort, energy efficiency and convenience
- Full length automatic overheat cut-out for safety

Applications

All Residential Applications | Commercial Offices | Lobbies

Specifications

Voltage	- 120V, 208V, 240V/208V, 347V, 50/60 Hz, 1-phase
Wattage	- Sizes ranging from 500W to 2000W
Color	- White
Finish	- Polyester/epoxy powder coating resists fading and abrasion
Construction	- 20-gauge steel construction - Front fresh air inlet; top warm air outlet - Linear high-limit temperature control with automatic reset
Heating Element	- Nickel chromium element that is totally enclosed within a stainless steel sheath, providing superior life expectancy and resistance to rust - Shark-fin shaped aluminum fins are firmly staked in an upright position to provide directional wicking for the top discharge heat transfer
Watt Density	- Average standard watt density of 250W/ft (820W/m)
Control & Wiring	- Supplied with an installed electronic proportioning thermostat for CSA-C828 compliant control; an RF transceiver for remote heat control and whole-home temperature syncing - Wireless control options available for user convenience (optional accessory) - Final connections must be made on right side - Wire way to run wiring from left side
Installation	- Easily removed front caps, knock-outs on both sides of the unit, pre-stamped mounting holes and separate front panel make installation quick and easy - Large rear-entry junction boxes on both sides to simplify connections
Warranty	- 10-year element warranty - 1-year warranty on complete unit

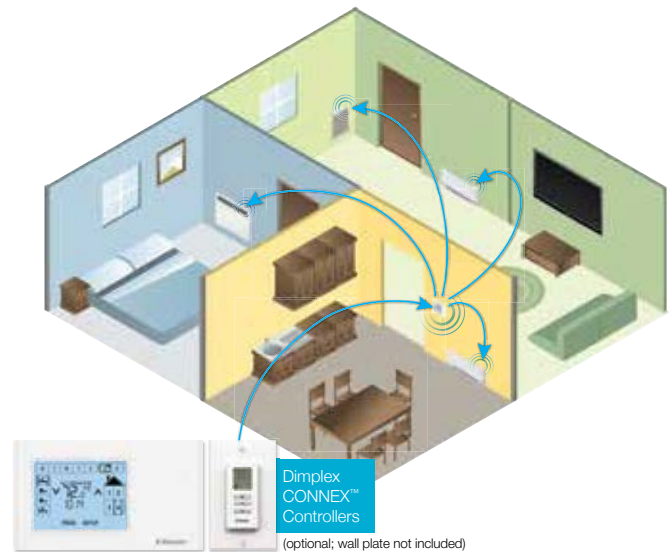
*Compared to BN series with TS521

Ordering Guide

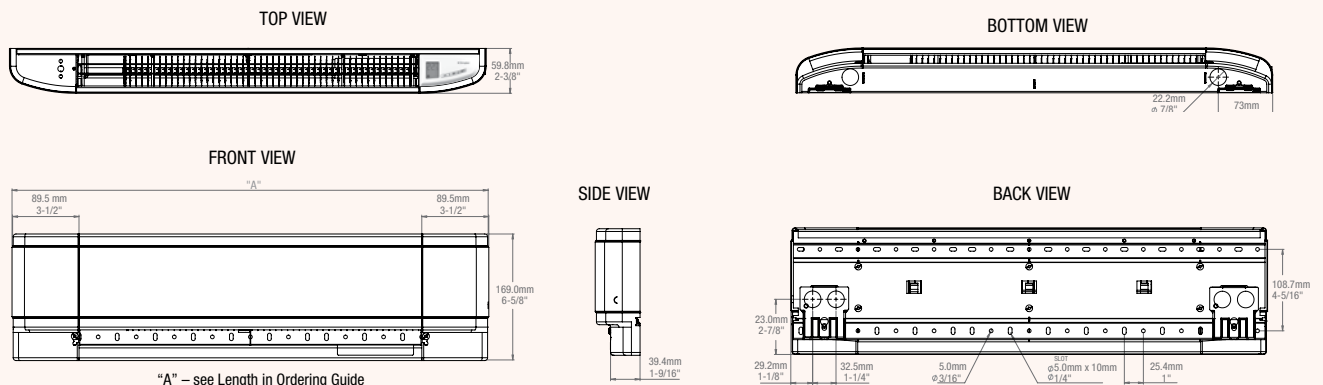
Cat. No.	Watts	Volts	BTU	Length (mm/in)	Weight (kg/lbs.)
PCL3005W11	500	120	1706	762 / 30	2.4 / 5.25
PCL3005W21	500	208	1706	762 / 30	2.4 / 5.25
PCL3005W31	500 / 375	240 / 208	1706 / 1280	762 / 30	2.4 / 5.25
PCL3005W51	500	347	1706	762 / 30	2.4 / 5.25
PCL5010W11	1000	120	3412	1270 / 50	3.8 / 8.45
PCL5010W21	1000	208	3412	1270 / 50	3.8 / 8.45
PCL5010W31	1000 / 750	240 / 208	3412 / 2559	1270 / 50	3.8 / 8.45
PCL5010W51	1000	347	3412	1270 / 50	3.8 / 8.45
PCL7015W11	1500	120	5118	1778 / 70	5.0 / 11.1
PCL7015W21	1500	208	5118	1778 / 70	5.0 / 11.1
PCL7015W31	1500 / 1125	240 / 208	5118 / 3839	1778 / 70	5.0 / 11.1
PCL7015W51	1500	347	5118	1778 / 70	5.0 / 11.1
PCL8520W21	2000	208	6824	2159 / 85	6.4 / 13.4
PCL8520W31	2000 / 1500	240 / 208	6824 / 5120	2159 / 85	6.4 / 13.4
PCL8520W51	2000	347	6824	2159 / 85	6.4 / 13.4

Wireless Control Options

Cat. No.	Description
DPCRWS	Single-zone CONNEX™ Controller
CX-MPC	Multi-zone Programmable CONNEX™ Controller



Dimensions





Top mounted thermostat can be installed on either side of LC (optional)

Linear Convactor Heater

Revolutionary design provides a sleek, compact heater profile, while improving heater performance, decreasing heat loss, and improving comfort.

Features

- Compact size is up to 42% smaller in length than conventional baseboards
- Up to 40% faster through top heat discharge, speeding dispersal of warm air into the center of the room
- Superior shark-fin blade design on a steel tubular element (stainless on 1500W, 2000W & 2500W units) for improved heat transfer, quiet operation and longer life
- Discreet styling, reduced length and added versatility of placement provide more options when designing a room
- Full length automatic overheat cut-out for safety
- May be used with wall, or top mounted built-in thermostat (not included)
- Built-in wire way along the full length of the unit

Applications

All Residential Applications | Commercial Offices | Lobbies

Specifications

Voltage	- 240V/208V
Wattage	- Sizes ranging from 500W to 2500W
Color	- White
Finish	- Polyester/epoxy powder coating resists fading and abrasion
Construction	- Robust, 20 gauge steel construction
Heating Element	- Nickel chromium element that is totally enclosed within a steel sheath, providing superior life expectancy and resistance to rust - Shark-fin shaped aluminum fins are firmly staked in an upright position to provide directional wicking for the top discharge heat transfer
Installation	- Easily removed front caps, knock-outs on both sides of the convactor, pre-stamped mounting holes make installation easy
Warranty	- 10-year element warranty - 1-year warranty on complete unit

Ordering Guide

Cat. No.	Watts	Volts	BTU	Length (mm/in)	Weight (kg/lbs.)
LC2005W31	500 / 375	240 / 208	1706 / 1280	508 / 20	1.7 / 3.75
LC2507W31	750 / 563	240 / 208	2559 / 1 919	635 / 25	2 / 4.40
LC3010W31	1000 / 750	240 / 208	3412 / 2559	762 / 30	2.3 / 5.00
LC3512W31	1250 / 938	240 / 208	4265 / 3199	889 / 35	3.0 / 6.65
LC4015W31	1500 / 1125	240 / 208	5118 / 3839	1016 / 40	3.2 / 7.50
LC5020W31	2000 / 1500	240 / 208	6824 / 5120	1270 / 50	3.7 / 8.20
LC6025W31	2500 / 1875	240 / 208	8530 / 6398	1524 / 60	4.4 / 9.70

Note: Standard color is White.

Control Options (field installed)

Relays: Mechanical

Cat. No.	Description	Rating
BLLVC21	Low voltage relay & transformer kit	208V, 22A
BLLVC31	Low voltage relay & transformer kit	240V, 22A
BLLVD	Low voltage relay less transformer kit	120/208/240V, 22A, 347V, 17A

Relays: TRIAC

CCT-15-1-S	Without transformer	347V, 15A
CCT-15-1-S-T240	Comes with transformer	208/240V, 15A

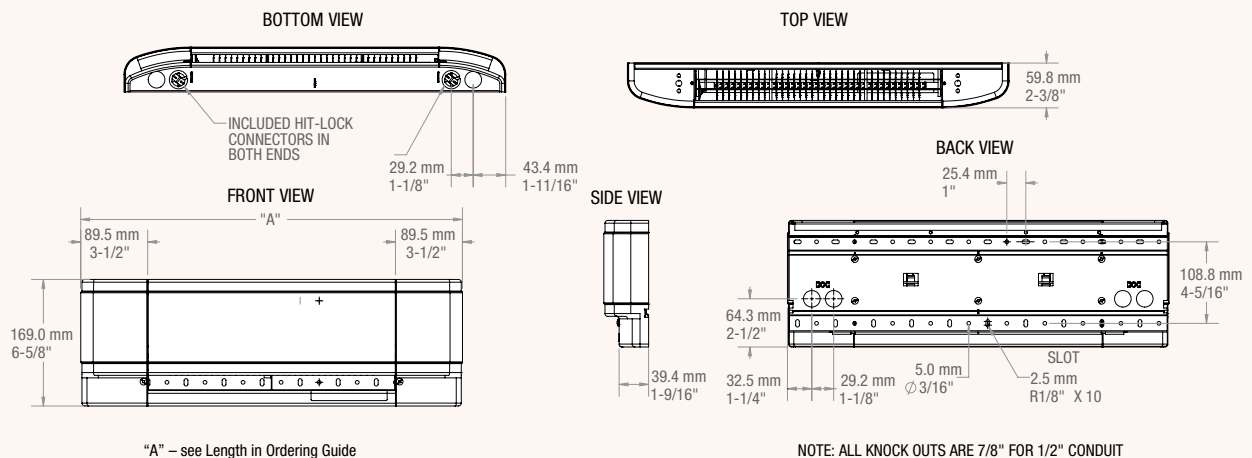
Thermostat Kits

DTK-SP	Single pole built-in thermostat kit (adjustable)	120-240V, 17A, 347V, 14A
DTK-DP	Double pole built-in thermostat (adjustable)	120-240V, 17A, 347V, 11A
DTKT-SP	Single pole built-in tamperproof thermostat kit	120-240V, 17A, 347V, 11A
DTKT-DP	Double pole built-in tamperproof thermostat kit	120-240V, 25A, 347V, 11A

Note: Each adjustable kit contains white and almond control knobs and hardware.



Dimensions





Built-in Electronic Thermostat

Wireless Control Options



Single-zone CONNEX™ Controller (DPCRWS)



Multi-zone Programmable CONNEX™ Controller (CX-MPC)

Linear Proportional Convector Heater

Revolutionary heater with a built-in electronic thermostat with heat proportioning for improved performance and reduced energy consumption.

Features

- Compact size is up to 42% smaller in length than conventional baseboards
- Up to 40% faster through top heat discharge, speeding dispersal of warm air into the center of the room
- Consumes up to 33% less energy than conventional baseboards and thermostats*
- On-board electronic thermostat accurately controls heat output, providing stable and consistent room temperatures to within 0.5°C (0.9°F) of desired set point
- Built-in CONNEX™ radio frequency transceiver allows wireless temperature control with optional wall-mounted CONNEX™ controllers
- CONNEX™ allows for easy whole-home control of all compatible smart heaters for maximum comfort, energy efficiency and convenience
- Discreet styling, reduced length and added versatility of placement provide more options when designing a room
- Superior shark-fin blade design on a steel tubular element (stainless on 1500W, 2000W & 2500W units) for improved heat transfer, quiet operation and longer life
- Full length automatic overheat cut-out for safety

Specifications

Voltage	- 240V/208V
Wattage	- Sizes ranging from 500W to 2500W
Color	- White
Finish	- Polyester/epoxy powder coating resists fading and abrasion
Construction	- Robust, 20 gauge steel construction
Heating Element	- Nickel chromium element that is totally enclosed within a steel sheath, providing superior life expectancy and resistance to rust - Shark-fin shaped aluminum fins are firmly staked in an upright position to provide directional wicking for the top discharge heat transfer
Control & Wiring	- Supplied with an installed electronic proportioning thermostat for CSA-C828 compliant control; an RF transceiver for remote heat control and whole-home temperature syncing - Wall mounted remote control for user convenience (optional accessory) - Supply line can be brought in at either end - Final connections must be made on right side - Wire way to run wiring from left side
Installation	- Easily removed front caps, knock-outs on both sides of the convector, pre-stamped mounting holes make installation easy
Warranty	- 10-year element warranty - 1-year warranty on complete unit

Applications

All Residential Applications | Commercial Offices | Lobbies

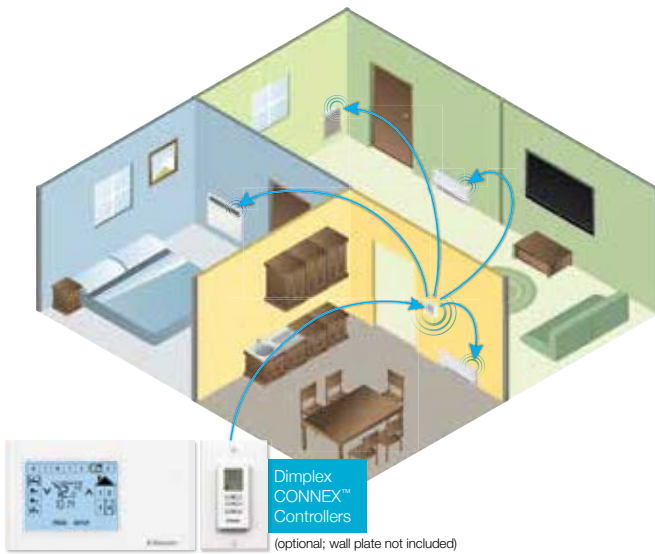
*Compared to BN series with TS521

Ordering Guide

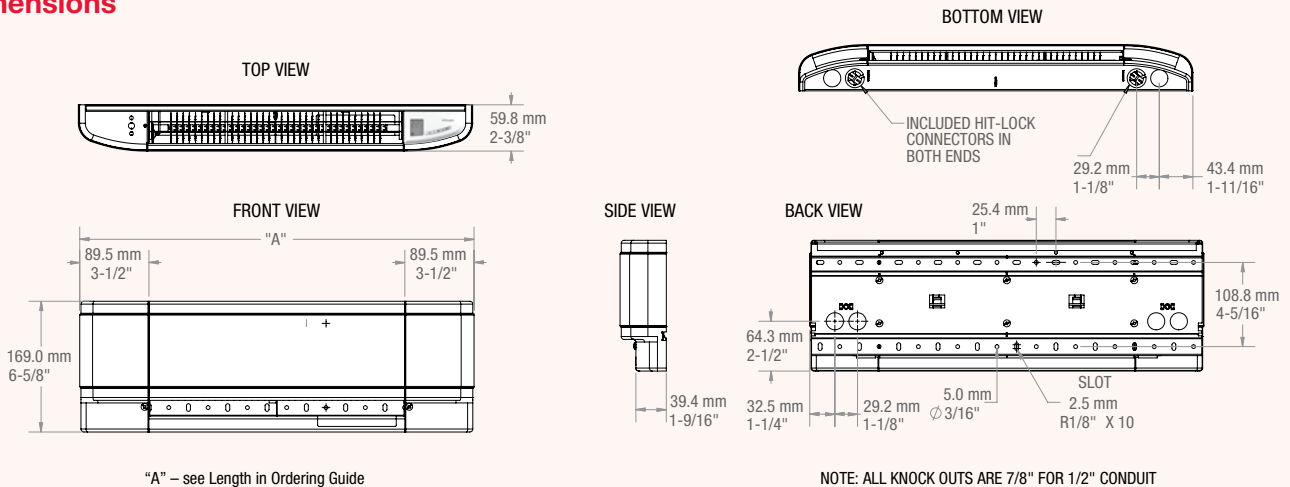
Cat. No.	Watts	Volts	BTU	Length (mm/in)	Weight (kg/lbs.)
PC2005W31	500 / 375	240 / 208	1706 / 1280	508 / 20	1.8 / 4.00
PC2507W31	750 / 563	240 / 208	2559 / 1919	635 / 25	2.1 / 4.65
PC3010W31	1000 / 750	240 / 208	3412 / 2559	762 / 30	2.4 / 5.25
PC3512W31	1250 / 938	240 / 208	4265 / 3199	889 / 35	3.0 / 6.65
PC4015W31	1500 / 1125	240 / 208	5118 / 3839	1016 / 40	3.5 / 7.75
PC5020W31	2000 / 1500	240 / 208	6824 / 5120	1270 / 50	3.8 / 8.45
PC6025W31	2500 / 1875	240 / 208	8530 / 6398	1524 / 60	4.5 / 9.95

Wireless Control Options

Cat. No.	Description
DPCRWS	Single-zone CONNEX™ Controller
CX-MPC	Multi-zone Programmable CONNEX™ Controller



Dimensions





Wireless Control Options



Single-zone
CONNEX™
Controller
(DPCRWS)



Multi-zone
Programmable
CONNEX™
Controller
(CX-MPC)

Precision Comfort Heater

The Precision Comfort Heater is the first fan-forced heater to combine a built-in electronic thermostat with fully variable heat output and fan speed. The result is incredible energy efficiency, unprecedented temperature accuracy and whisper-quiet operation.

Features

- Patented PVO™ Technology automatically and quietly adjusts the fan speed and wattage (500 - 2,000W) for perfect comfort in a single SKU
- Built-in electronic thermostat maintains room temperature to within an incredible 0.1°C (0.2°F) for maximum comfort and up to 29% energy savings*
- Lab-tested as the quietest fan heater on the market
- Heat BOOST timer provides timed, maximum heat output for bathroom applications
- Includes a trim for 2" x 3" wall construction
- Equipped with CONNEX™ wireless technology that works with optional CONNEX™ Single-zone and Multi-zone Controllers for simple whole home control
- Airborne particles are trapped in the filter for cleaner air; filter is removable for easy cleaning
- Economy setting reduces set temperature when the room is not in use
- Equipped with multiple safety systems to ensure complete piece of mind
- Unique louvered grille design suits any décor

Applications

Suitable for All Living Areas | Ideal for Bathrooms

Specifications

Voltage	- 240/208V
Wattage	- 2000/1900W (500W minimum)
Color	- White
Finish	- Polyester/epoxy powder coating resists fading and abrasion
Construction	- Heat-resistant molded polymer housing, steel powder coated grille and recess box with knockouts for field wiring
Heating Element	- Positive temperature coefficient (PTC) element, allowing true variable temperature delivery
Control & Wiring	- Built-in electronic proportioning thermostat, an RF receiver for wireless control, and whole home synchronization - Optional Single-zone or Multi-zone CONNEX™ controllers are available for multi-heater installations
Installation	- Recess box has depth indexes for appropriate pre-drywall installation - A large wiring compartment makes power connection easy - Factory pre-assembled for fast, convenient installations - Includes trim for 2" x 3" wall construction - not required for 2" x 4" installations - Surface-mount box also available
Warranty	- 2-year limited warranty - 5-year element warranty

*Compared to TWH series with TS521

Ordering Guide

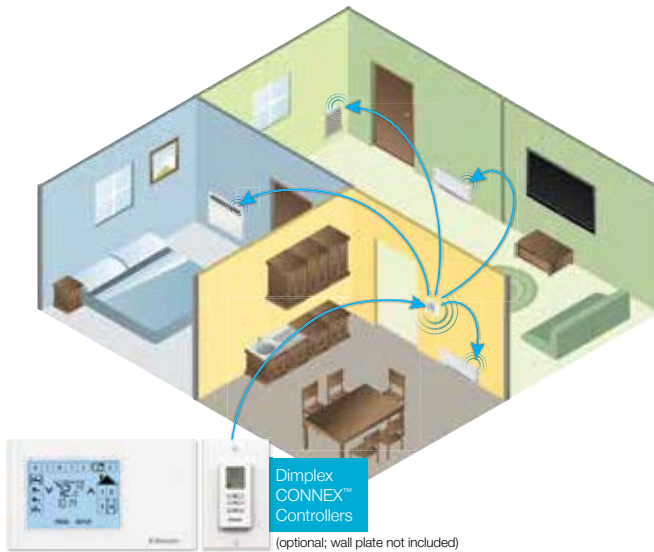
Cat. No.	Watts	Volts	BTU	Dimensions (W x H x D)	Weight (kg/lbs.)
PCH2000TCW-TK	2000 / 1900 (500 min.)	240 / 208	6,824	264mm x 391mm x 130mm (10.4" x 15.4" x 5.1")	4.3 / 9.5

Accessories

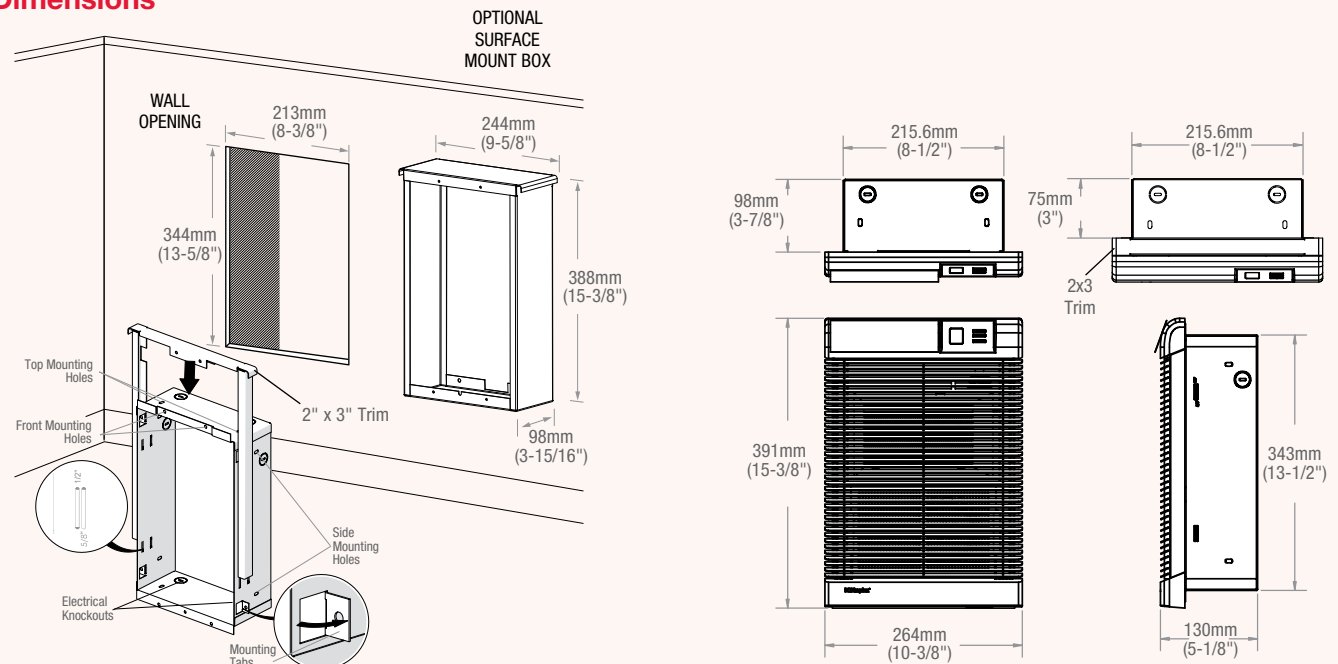
Cat. No.	Description
PCHSBW	Surface Mount Box

Wireless Control Options

Cat. No.	Description
DPCRWS	Single-zone CONNEX™ Controller
CX-MPC	Multi-zone Programmable CONNEX™ Controller



Dimensions



Trim kit for 2" x 3" wall construction included (not required for 2" x 4" wall construction)



NOTE: Model shown with optional onboard thermostat.



Enclosed Steel Sheathed Element Design

Fan-forced Wall Insert Heater

Compact multi-purpose unit ideal for use where space is limited. Instant heat to replace cold air where exterior doors are prevalent.

Features

- Fully louvered grille
- Superior finned tubular element design for safety and long life
- Automatic reset thermal cutout for maximum safety
- Suitable for use in 2" x 3" and 2" x 4" construction

Applications

Hallways | Kitchens | Basements | Bathrooms
| Workshops

Multi-Directional Grille mounts in any configuration



Specifications

Voltage	- 120V, 208V, 240V
Wattage	- Sizes ranging from 500W to 2000W
Color	- White or Almond
Airflow	- 48 CFM – fan blades engineered for quiet operation
Finish	- Polyester/epoxy powder coating resists fading and abrasion
Construction	- The front panel is constructed of 22 gauge steel and the housing is complete with knockouts for field wiring
Heating Element	- A nickel chromium element is totally enclosed within a steel element sheath and spiral steel fins are firmly brazed to the surface to provide excellent heat transfer
Controls & Wiring	- A thermostat control (either wall or built-in) is required to operate this unit - Optional built-in thermostat is positioned below the element for superior temperature control - The unit has a large wiring compartment which makes power connections quick and easy
Warranty	- 10-year element warranty - 2-year warranty on complete unit

Ordering Guide

Cat. No.	Color	Volts	Watts	BTU	Phase	CFM	Weight (kg/lbs.)
T23WH0511CW	White	120	500	1706	1	48	3.6 / 8
T23WH0711CW	White	120	750	2559	1	48	3.6 / 8
T23WH1011CW	White	120	1000	3412	1	48	3.6 / 8
T23WH1211CW	White	120	1250	4265	1	48	3.6 / 8
T23WH1511CW	White	120	1500	5118	1	48	3.6 / 8
T23WH1221CW	White	208	1250	4265	1	48	3.6 / 8
T23WH2021CW	White	208	2000	6824	1	48	3.6 / 8
T23WH0531CW	White	240 / 208	500 / 375	1706 / 1280	1	48	3.6 / 8
T23WH0731CW	White	240 / 208	750 / 562	2559 / 1919	1	48	3.6 / 8
T23WH1031CW	White	240 / 208	1000 / 750	3412 / 2559	1	48	3.6 / 8
T23WH1531CW	White	240 / 208	1500 / 1125	5118 / 3838	1	48	3.6 / 8
T23WH2031CW	White	240 / 208	2000 / 1500	6824 / 5118	1	48	3.6 / 8
T23WH1210CW	White	240	1250	4265	1	48	3.6 / 8
TWH0731B†	None	240 / 208	750 / 562	2559 / 1919	1	48	3.6 / 8
TWH1031B†	None	240 / 208	1000 / 750	3412 / 2559	1	48	3.6 / 8
TWH1531B†	None	240 / 208	1500 / 1125	5118 / 3838	1	48	3.6 / 8
TWH2031B†	None	240 / 208	2000 / 1500	6824 / 5118	1	48	3.6 / 8
R23DH1507TCW††	White	240	750 / 1500	2559 / 5118	1	48	3.6 / 8
R23DH2010TCW††	White	240	1000 / 2000	3412 / 6824	1	48	3.6 / 8

Note: Standard color is White – To order Almond replace “W” with an “A” at end of Cat. No.

† Bulk Packaged Models (Interior only – less front grille and recess mount box) – available in United States only.

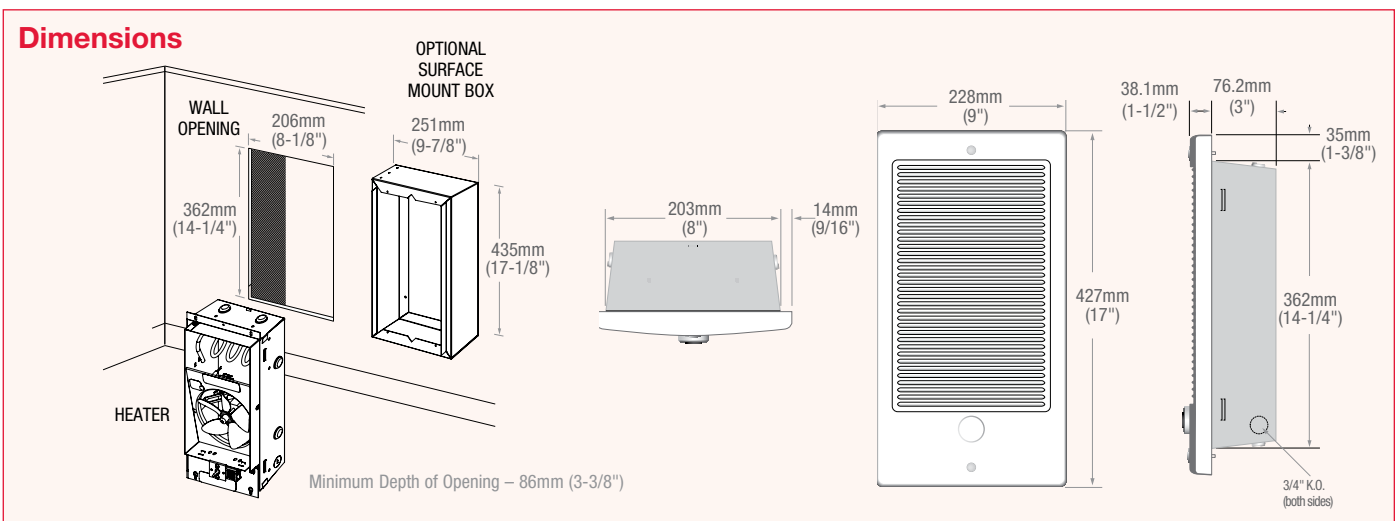
†† RDH Dual Element Models – C/W Built-in Thermostat & Multi-Directional Front Grille – available in United States only.

Accessories (field installed)

Cat. No	Description	Dimensions (W x H x D)
TWHSBA	Surface mount box (almond)	251mm x 435mm x 86mm (9 7/8" x 17 1/8" x 3 3/8")
TWHSBW	Surface mount box (white)	251mm x 435mm x 86mm (9 7/8" x 17 1/8" x 3 3/8")
T23WHC	Separate wall can	
T23WHA	Multi-grille (almond)	
T23WHW	Multi-grille (white)	

Control Options (field installed)

Cat. No.	Description	Rating
T23WHT1	Single pole thermostat kit	22A, 120/240V
T23WHT2	Double pole thermostat kit	22A, 120/240V



Wall-mounted Bathroom Fan Heater

Premium residential wall heater with heat boost timer where rapid heat-up is required.



Features

- Built-in thermostat, 60 minute timer boosts output from 1000W to 2000W
- Splash-proof construction
- Quiet performance
- Automatic reset high limit protection
- Easy-mount wall bracket
- Frost protection settings (at 5°C / 41°F unit will automatically turn on)
- Surface mount application

Applications

Kitchen | Bathrooms | Laundry Rooms

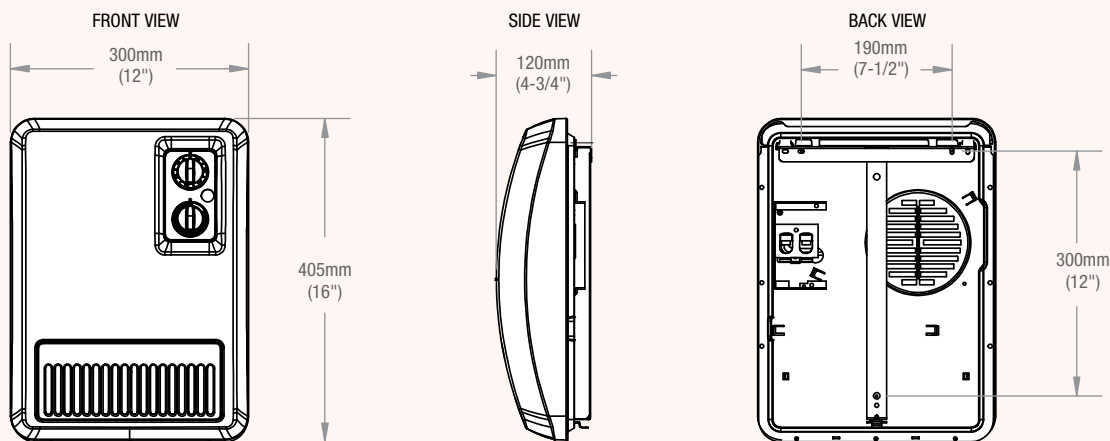
Specifications

Voltage	- 240/208V
Wattage	- 1000/750W (2000/1500W with timer)
Color	- White
Finish	- Polyester/epoxy powder coating resists fading and abrasion
Construction	- Attractively designed front cover is constructed of tough, durable 20 gauge galvanized steel
Fan / Motor	- Long lasting, quiet performance is guaranteed by the heavy duty fan motor and molded plastic centrifugal impeller fan - The two speed fan combined with a 60 minute timer provide increased heat when timer is activated
Control	- Built-in thermostat - 60-minute timer
Warranty	- 2-year limited warranty on complete unit

Ordering Guide

Cat. No.	Watts	BTU	Volts	Dimensions (W x H x D)	Weight (kg/lbs.)
EF12	1000 / 2000 750 / 1500	3412 / 6824 2569 / 5118	240 / 208	300mm x 405mm x 120mm (12" x 16" x 4.75")	4 / 8.8

Dimensions



Proportional Panel Convector

The PPC series smart heaters combine the advanced performance of a built-in electronic thermostat with exclusive wireless CONNEX™ technology, which provides enhanced comfort, energy-savings and easy whole-home control.

Features

- Built-in electronic thermostat for up to 33% energy savings compared to DLX/PLX with TS521W thermostat
- Proportional heating: precisely matches heat loss to deliver maximum comfort and energy efficiency
- Controls room temperature within 0.5°C (0.9°F)
- Compatible with optional CONNEX™ wireless controls; allows for simple, whole-home control from a single device
- Learning technology: learns the room environment and adapts to maintain better comfort
- Manual reset high limit protection
- Silent operation with no moving parts
- Economy setting – reduce set temperature when room is not in use
- Detachable wall mounting bracket for easy installation and cleaning
- Rear junction box with cable clamp for easy wiring

Applications

Ideal for new installations or where there is an existing supply line but no wall thermostat



Built-in Electronic Thermostat



Wireless Control Options



Single-zone CONNEX™ Controller (DPCRWS)



Multi-zone Programmable CONNEX™ Controller (CX-MPC)

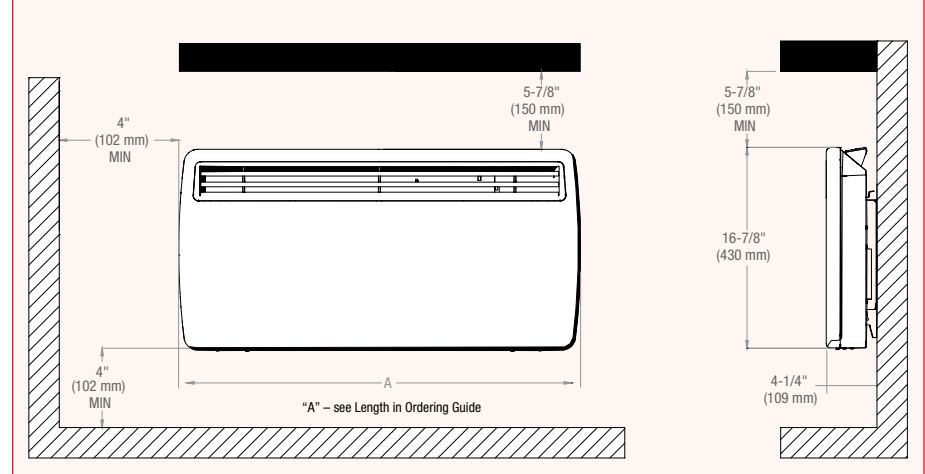
Specifications

Voltage	- 240/208V
Wattage	- 500/375W, 1000/750W, 1500/1125W, 2000/1500W
Color	- White
Finish	- Polyester/epoxy powder coating resists fading and abrasion
Construction	- Attractive European designed front cover is constructed of durable 21 gauge steel - The hinged wall mounting bracket detaches from unit back for easy installation and incorporates "tilt forward" feature for cleaning
Heating Element	- Finned, steel sheathed element for durability and efficient heat transfer
Control	- Built-in electronic thermostat, an RF transceiver for wireless control and whole-home synchronization - Optional single-zone (DPCRWS) or multi-zone (CX-MPC) CONNEX™ Controllers are available for easy, whole-home control
Warranty	- 2-year limited warranty on complete unit - 10-year warranty on element

Ordering Guide

Cat. No.	Volts	Watts	Length (mm/in)	Weight (kg/lbs.)
PPC0500	240 / 208	500 / 375	450mm (17.7")	4.2 / 9.3
PPC1000	240 / 208	1000 / 750	620mm (24.4")	5.6 / 12.4
PPC1500	240 / 208	1500 / 1125	690mm (27.2")	5.9 / 12.9
PPC2000	240 / 208	2000 / 1500	860mm (33.9")	7.1 / 15.7

Dimensions



Convection Heater

An attractive, silent heater that blends with any décor.



Available in Canada only

Features

- Silent, convection heating; no moving parts
- Moves warm air quickly and evenly without a fan
- Rear junction box with cable clamp for easy wiring
- Automatic high limit protection
- Detachable wall-mounting bracket for easy installation and cleaning
- HTC electronic wall thermostat recommended for greater comfort and energy savings (not included)

Applications

Ideal for retrofit installations where there is an existing wall thermostat and supply line

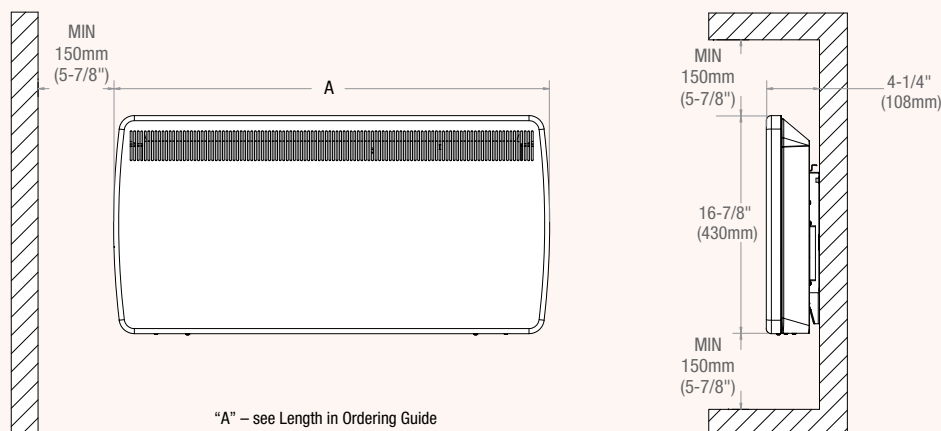
Specifications

Voltage	- 240/208V
Wattage	- 500/375W, 1000/750W, 1500/1125W, 2000/1500W
Color	- White
Finish	- Polyester/epoxy powder coating resists fading and abrasion
Construction	- Attractive one-piece designed front cover is constructed of durable 22 gauge steel - The hinged wall mounting bracket detaches from unit back for easy installation and incorporates "tilt forward" feature for cleaning
Heating Element	- Finned, steel sheathed element for durability and efficient heat transfer
Control	- For use with a wall mounted thermostat (Dimplex recommends HTC series thermostats not included)
Warranty	- 2-year limited warranty on complete unit - 10-year warranty on element

Ordering Guide

Cat. No.	Volts	Watts	Length (mm/in)	Weight (kg/lbs.)
DLX0500	240 / 208	500 / 375	450mm (17.7")	3.78 / 8.3
DLX1000	240 / 208	1000 / 750	620mm (24.4")	5.2 / 11.4
DLX1500	240 / 208	1500 / 1125	690mm (27.2")	5.4 / 11.9
DLX2000	240 / 208	2000 / 1500	860mm (33.9")	6.7 / 14.7

Dimensions



Electronic Convection Heater

Sleek design with built-in electronic thermostat provides an energy efficient panel heating solution.



Built-in Electronic Thermostat

Features

- Built-in electronic thermostat maintains room temperature to within 0.5°C (0.9°F) for maximum comfort and up to 10% energy savings
- Silent, convection heating; no moving parts
- Moves warm air quickly and evenly without a fan
- Rear junction box with cable clamp for easy wiring
- Automatic high limit protection
- Detachable wall mounting bracket for easy installation and cleaning

Applications

Ideal for new installations or where there is an existing supply line but no wall thermostat

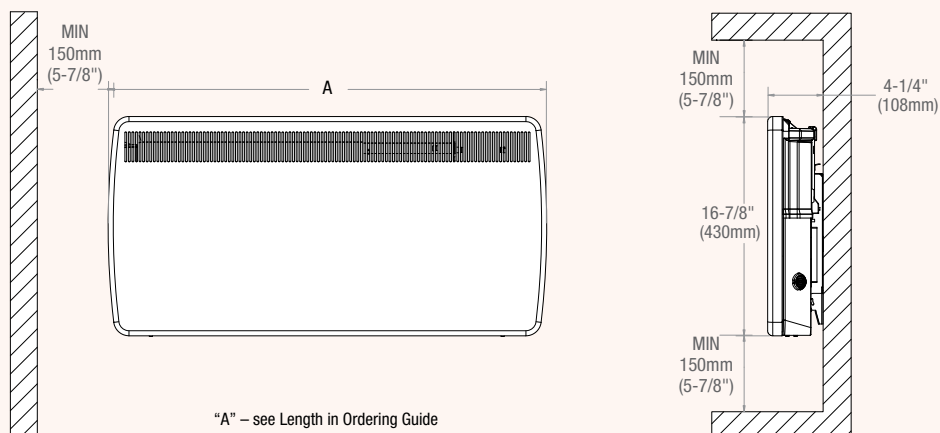
Specifications

Voltage	- 240/208V
Wattage	- 500/375W, 1000/750W, 1500/1125W, 2000/1500W
Color	- White
Finish	- Polyester/epoxy powder coating resists fading and abrasion
Construction	- Attractive one-piece front cover is constructed of durable 22 gauge steel - The hinged wall mounting bracket detaches from unit back for easy installation and incorporates "tilt forward" feature for cleaning
Heating Element	- Finned, steel sheathed element for durability and efficient heat transfer
Control	- Built-in electronic thermostat
Warranty	- 2-year limited warranty on complete unit - 10-year warranty on element

Ordering Guide

Cat. No.	Volts	Watts	Length (mm/in)	Weight (kg/lbs.)
DTX0500	240 / 208	500 / 375	450mm (17.7")	4.2 / 9.3
DTX1000	240 / 208	1000 / 750	620mm (24.4")	5.6 / 12.4
DTX1500	240 / 208	1500 / 1125	690mm (27.2")	5.9 / 12.9
DTX2000	240 / 208	2000 / 1500	860mm (33.9")	7.1 / 15.7

Dimensions





Kick Space Heater

Low-profile fan-forced heater that provides comfort in places where space is limited (i.e. under-counter, stair riser etc.).



Features

- Single model offers flexible wattage output and voltage selection
- Makes an economical floor warmer
- Superior finned tubular element design
- Automatic primary and secondary reset thermal cutout for safety
- Pilot light will activate if unit trips on high limit

Applications

Kitchen | Bathroom |
Under-cabinet | Stair riser

Specifications

Voltage	- 120, 240/208V
Wattage	- Five outputs ranging from 450W to 1800W
Color	- Black or White
Airflow	- 80 CFM
Finish	- Polyester/epoxy powder coating resists fading and abrasion
Construction	- The enclosure is constructed of 20 gauge steel - Horizontal mount only
Heating Element	- The Kick Space heater has four totally enclosed nickel chromium resistance elements with steel sheaths - The elements are complete with spiral steel fins that are brazed to the steel sheath to provide excellent heat transfer
Control & Wiring	- The Kick Space heater is factory wired for 240/208V @ 900/675W and is field convertible for 240/208V @ 1800/1350W, 120V @ 450, 900, 1350, or 1800W configuration - The unit is controllable from a line voltage wall thermostat or field installed built-in tamperproof single or double pole thermostat kit
Warranty	- 1-year limited warranty on complete unit

Control Options (field installed)

Cat. No.	Description
CKHATD13	Single pole thermostat
CKHATD23	Double pole thermostat

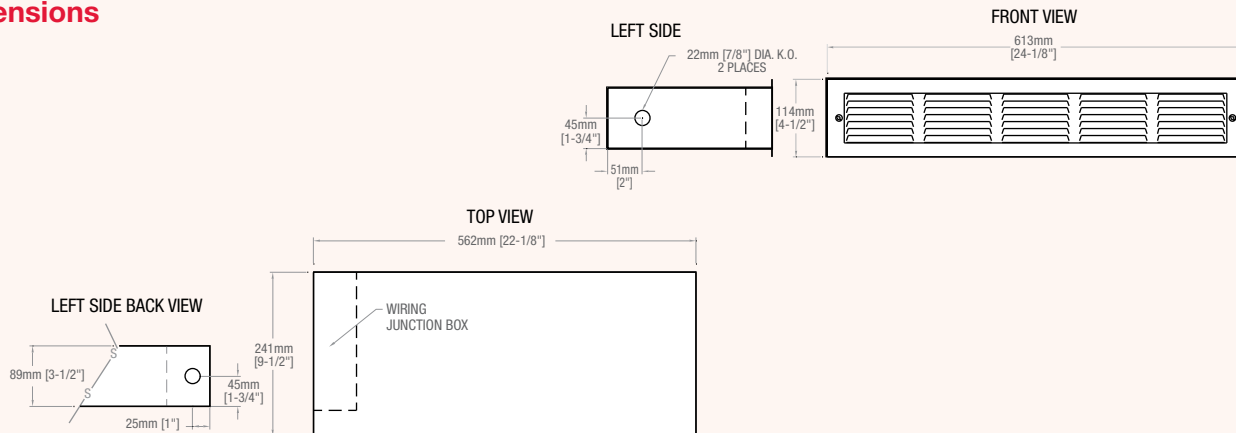
Note: Adjust thermostat with pliers

Ordering Guide

Cat. No.	Watts	BTU	Volts	Weight (kg/lbs.)
CKHA20D31	450	1535	120	6.4 / 14
	900	3071	120	
	1350	4606	120	
	1800	6142	120	
	900 / 675	3071 / 2303	240 / 208	
	1800 / 1350	6142 / 4606	240 / 208	

Note: Standard color is Black – To order White add "W" at end of Cat. No. Factory wired at 240/208V for 900/675W

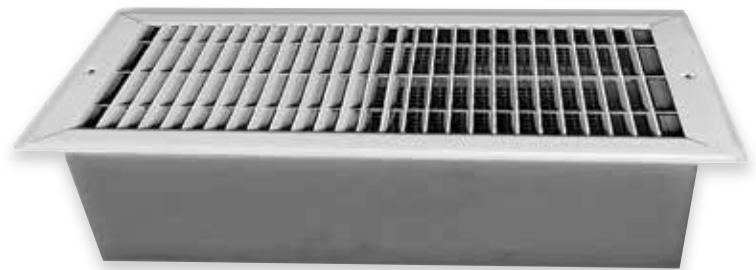
Dimensions





Floor Drop-in Heater

Designed for fan-forced comfort where floor mounting is desired.



Features

- Compact design
- Superior finned tubular element design
- Manual and automatic reset thermal cutout provides protection against overheating
- Safety screen keeps foreign objects out
- Quick release interior for easier cleaning

Applications

Hallways | Entryways | Solariums | Staircase Landings

Ordering Guide

Cat. No.	Watts	BTU	Volts	Weight (kg/lbs.)
FFIH15A31	375	1280	120	7.3 / 16
	750	2559	120	
	1125	3839	120	
	1500	5118	120	
	750 / 563	2559 / 1918	240 / 208	
	1500 / 1125	5118 / 3839	240 / 208	

Note: Standard color is Almond – To order White add "W" in Cat. No. Example: FFIH15A31W
Factory wired at 240/208V for 1500/1125W

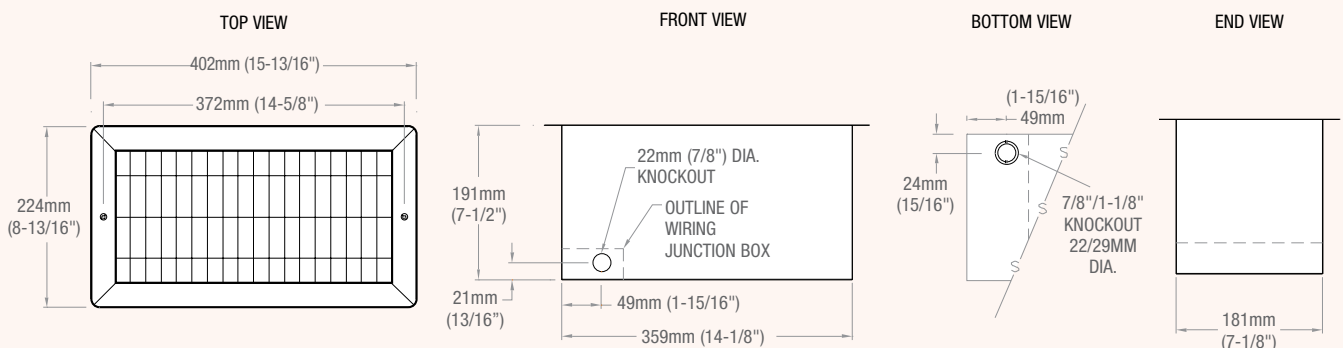
Accessories (field installed)

Cat. No.	Description
FFIHAG	FFIH Grille Kit (Almond)
FFIHWG	FFIH Grille Kit (White)

Specifications

Voltage	- 120, 240/208V
Wattage	- Five outputs ranging from 375W to 1500W
Color	- Almond or White
Airflow	- 80 CFM
Finish	- Polyester/epoxy powder coating resists fading and abrasion
Construction	- The housing is constructed of 18 gauge satin coat steel complete with knockouts to accommodate field wiring - The louvered grille is constructed of 14 gauge steel with 9 gauge trim
Heating Element	- A nickel chromium element is totally enclosed within a steel sheath and spiral steel fins are brazed to the element to provide excellent heat transfer
Controls & Wiring	- An external thermostat control (not included) is required to operate this unit. The unit is factory wired for 240/208V @ 1500/1125W operation and can be field wired to 120V @ 375W, 750W, 1125W or 1500W; 240/208V @ 750/563W
Warranty	- 1-year limited warranty on complete unit

Dimensions



Portable Construction Heater

Heavy duty construction provides maximum durability for work site conditions where temporary heat is required.



Features

- 160 CFM delivers powerful heat output
- Thermal overheat protection for safety
- Includes 6 foot cord with NEMA standard plug (6-20P)
- Stainless steel tubular element

Specifications

Voltage	- 240V
Wattage	- 4800W
Color	- Almond
Finish	- Polyester/epoxy powder coating resists fading and abrasion
Fan / Motor	- Fan is propeller type, accurately balanced and correctly pitched to optimize performance
Control	- Single pole thermostat is built-in with temperature range of 7-25°C (45-77°F)
Warranty	- 1-year warranty on complete unit

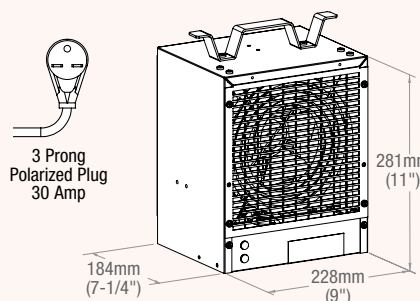
Applications

Portable Heat for Workshops | Garages | Construction Sites

Ordering Guide

Cat. No.	Watts	BTU	Volts	CFM	Weight (kg/lbs.)
DCH4831L	4800	16377	240	160	4.4 / 9.7

Dimensions



Enclosed Motor Construction Heater

The enclosed motor design protects the motor from debris, extending the motor life.



Features

- 160 CFM delivers powerful heat output
- Thermal overheat protection for safety
- Includes 6 foot cord with NEMA standard plug (6-20P)
- Permanently lubricated and sealed motor prevents accumulation of dust
- Stainless steel tubular element
- Footstand for angled positioning

Specifications

Voltage	- 240V
Wattage	- 4800W
Color	- Yellow
Finish	- Hybrid polyester epoxy powder coat paint
Fan / Motor	- Fan is propeller type, accurately balanced and correctly pitched to optimize performance
Control	- Single pole thermostat is built-in with temperature range of 7-25°C (45-77°F)
Warranty	- 1-year warranty on complete unit

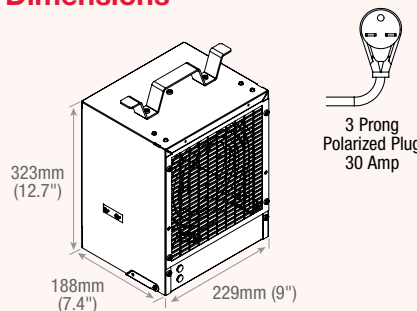
Applications

Portable Heat for Workshops | Garages | Construction Sites

Ordering Guide

Cat. No.	Watts	BTU	Volts	CFM	Weight (kg/lbs.)
EMC4240	4800	16377	240	160	4.4 / 9.7

Dimensions



Garage/Workshop Heater

Tough, rugged, high performance
– heats quickly.

Features

- Powerful fan and 4000 watt stainless steel heater element
- Versatile mounting bracket attaches to wall or ceiling – heater swivels to direct heat
- Automatic temperature control helps maintain consistent temperature from 7-25°C (45-77°F)
- Powder-coated epoxy finish is long lasting and corrosion resistant
- Fan delay uses residual heat for economical performance
- Includes 6 foot cord with NEMA standard plug (6-20P)

Applications

Portable Heat for Workshops | Garages



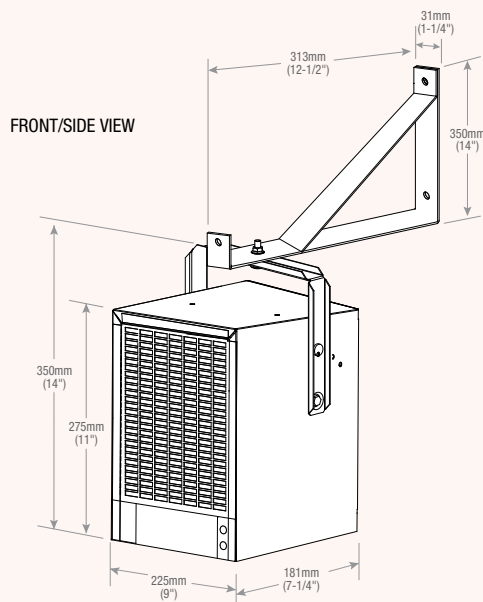
Specifications

Voltage	- 240V
Wattage	- 4000W
Color	- Almond
Finish	- Polyester/epoxy powder coating resists fading and abrasion
Fan / Motor	- Fan is propeller type, accurately balanced and correctly pitched to optimize performance
Control	- Double pole thermostat is built-in with temperature range of 7-25°C (45-77°F)
Warranty	- 1-year warranty on complete unit

Ordering Guide

Cat. No.	Watts	BTU	Volts	CFM	Weight (kg/lbs.)
DGWH4031	4000	13,648	240	160	4.5 / 10

Dimensions





COMMERCIAL

Dimplex Commercial is committed to quality, innovation and the satisfaction of electrical professionals and their customers by delivering a complete range of electric heaters that offer outstanding performance and reliability for commercial applications. Good is never good enough; innovative Dimplex Commercial products are engineered to be the best.



NEW

Steel Architectural Draft Barrier

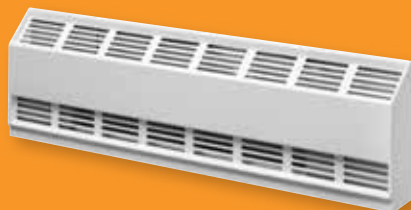
Flat Top
SAF6 Series

Pg | 31



Slope Top
SAS8 Series

Pg | 33



NEW

Ceiling-mounted Heater
CMH Series

Pg | 47





Steel Architectural Draft Barrier Heater - Flat Top

The exclusive roll-formed design delivers the premium look of an aluminum architectural heater with the practicality of steel. This innovative design increases the strength of this heater while providing an attractive design for use in commercial buildings.

Features

- Exclusive roll-formed design increases strength and greatly improves style
- Advanced architectural, low-profile styling measures 6"H x 2-1/2"W for an unobtrusive appearance
- Full length thermal protection
- Floating element suspension eliminates expansion noise
- Corrosion resistant, stainless steel tubular element with aluminum fins
- Built-in wire way for continuous installation
- Choice of air intake on front or bottom

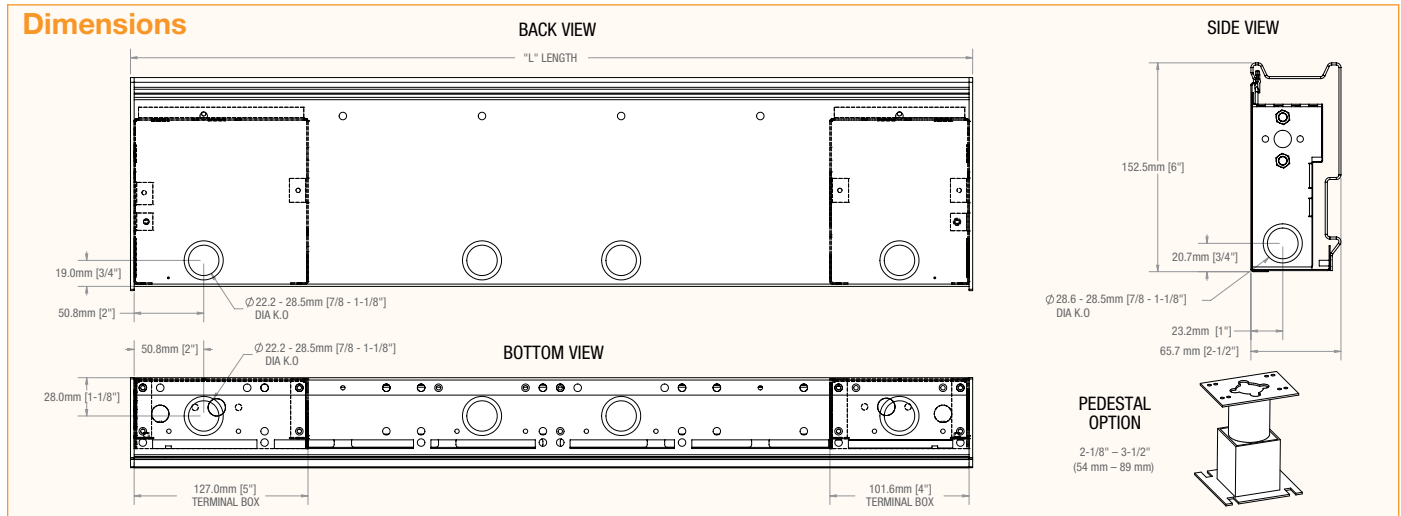
Applications

Commercial Building | Hospital | Daycare Center | Residential Offices | Lobbies | Meeting Rooms | Hallways

Specifications

Voltage	- 120V, 208V, 240V/208V, 277V, 347V, 600V, 50/60 Hz - 1 phase
Wattage	- Sizes ranging from 300W to 2500W
Color	- Standard: White, Almond or Black - Optional: Bronze, Silver, Charcoal, Metallic Charcoal or Metallic Silver
Finish	- Standard: Hybrid epoxy/polyester powder coat process
Construction	- Roll-formed 16-gauge steel front cover - 18-gauge satin coat steel cabinet - Screw assembly for added strength - Full length built-in wire way - Front fresh air inlet or bottom (B); top warm air outlet. Clean back available (S) - Linear high-limit temperature control with automatic reset. End caps included
Heating Element	- Stainless steel tubular heating element with aluminum fins - Floating heating element eliminating expansion noises
Watt Density	- 250W, 200W, 150W
Controls & Installation	- Built-in thermostat available with a control knob or tamperproof adjustable with a screwdriver - Mechanical, electronic relays available (installed on the right end only) - Mounting holes spaced on 4" (102 mm) intervals for ease of installation - Wall or floor mounted installation - Variety of accessories available for wall-to-wall installation - Pedestal kit available
Warranty	- 1-year warranty against defects

Dimensions



Product Order Logic:

Order logic example →

Catalog Number				Options			
SAF6	F	2	05	11	02	A1	S
Series	Inlet F=Front B=Bottom	Length (ft)	Watts	Voltage Selection	Finish Selection	Control Options	Cabinet Features

Ordering Guide

Cat. No.	Watts	BTU	Available Voltages	Phase	Length (mm/in.)	Weight (kg/lbs.)
----------	-------	-----	--------------------	-------	-----------------	------------------

Standard Average Watt Density – 250W/ft

SAF6F205	500	1706	120, 208, 240, 347	1	616 / 24-5/16	3.9 / 8.5
SAF6F307	750	2559	120, 208, 240, 277, 347, 480, 600	1	921 / 36-5/16	5.2 / 11.5
SAF6F410	1000	3412	120, 208, 240, 277, 347, 480, 600	1	1223 / 48-5/16	6.6 / 14.6
SAF6F512	1250	4265	120, 208, 240, 277, 347, 480, 600	1	1530 / 60-5/16	8.3 / 18.2
SAF6F615	1500	5118	120, 208, 240, 277, 347, 480, 600	1	1835 / 72-5/16	10 / 22
SAF6F717	1750	5971	208, 240, 277, 347, 480, 600	1	2140 / 84-5/16	11.9 / 26
SAF6F820	2000	6824	208, 240, 277, 347, 480, 600	1	2445 / 96-5/16	13.8 / 30.5
SAF6F922	2250	7677	208, 240, 277, 347, 480, 600	1	2750 / 108-5/16	16 / 35
SAF6F025	2500	8530	208, 240, 277, 347, 480, 600	1	3054 / 120-5/16	18.3 / 40

Average Watt Density – 200W/ft

SAF6F204	400	1364	120, 208, 240	1	616 / 24-5/16	3.9 / 8.5
SAF6F306	600	2046	120, 208, 240, 347	1	921 / 36-5/16	5.2 / 11.5
SAF6F408	800	2728	120, 208, 240, 277, 347, 480, 600	1	1223 / 48-5/16	6.6 / 14.6
SAF6F510	1000	3410	120, 208, 240, 277, 347, 480, 600	1	1530 / 60-5/16	8.3 / 18.2
SAF6F612	1200	4092	120, 208, 240, 277, 347, 480, 600	1	1835 / 72-5/16	10 / 22
SAF6F714	1400	4774	120, 208, 240, 277, 347, 480, 600	1	2140 / 84-5/16	11.9 / 26
SAF6F816	1600	5459	208, 240, 277, 347, 480, 600	1	2445 / 96-5/16	13.8 / 30.5
SAF6F918	1800	6142	208, 240, 277, 347, 480, 600	1	2750 / 108-5/16	16 / 35
SAF6F020	2000	6824	208, 240, 277, 347, 480, 600	1	3054 / 120-5/16	18.3 / 40

Low Average Watt Density – 150W/ft

SAF6F203	300	1023	120, 208	1	616 / 24-5/16	3.9 / 8.5
SAF6F304	450	1535	120, 208, 240, 347	1	921 / 36-5/16	5.2 / 11.5
SAF6F406	600	2046	120, 208, 240, 277, 347, 480	1	1223 / 48-5/16	6.6 / 14.6
SAF6F507	750	2558	120, 208, 240, 277, 347, 600	1	1530 / 60-5/16	8.3 / 18.2
SAF6F609	900	3069	120, 208, 240, 277, 347, 480, 600	1	1835 / 72-5/16	10 / 22
SAF6F710	1050	3581	120, 208, 240, 277, 347, 480, 600	1	2140 / 84-5/16	11.9 / 26
SAF6F812	1200	4092	120, 208, 240, 277, 347, 480, 600	1	2445 / 96-5/16	13.8 / 30.5
SAF6F913	1350	4606	120, 208, 240, 277, 347, 480, 600	1	2750 / 108-5/16	16 / 35
SAF6F015	1500	5118	120, 208, 240, 277, 347, 480, 600	1	3054 / 120-5/16	18.3 / 40

1. Specify desired voltage, finish and control option from tables
2. For bottom inlet version replace "F" in Cat. No. with "B"
3. Endcaps are included with heaters
4. Consult factory for custom finish requirements


Control Options (factory installed)

Cat. No.	Description
A1	Built-in SP tamperproof thermostat 120 - 600V
A2	Built-in DP tamperproof thermostat 120 - 600V
A4	Built-in 24V low voltage relay 120 - 600V
A5	Built-in 24V low voltage relay and transformer 120 - 600V
A8	Built-in disconnect switch, rated 277V/20A
B1	Built-in SP tamperproof thermostat and disconnect
B2	Built-in DP tamperproof thermostat and disconnect
D1	Built-in low voltage relay and disconnect
D2	Built-in low voltage relay / transformer and disconnect
F1	Built-in SP adjustable thermostat 120 - 600V (side mounted)
F2	Built-in DP adjustable thermostat 120 - 600V (side mounted)
F3	Built-in SP adjustable thermostat and disconnect
F4	Built-in DP adjustable thermostat and disconnect
G1	TRIAC Relay, 347V Max
G2	TRIAC Relay, 600V Max
G3	TRIAC Relay with transformer, 15A, 240-347V
G4	TRIAC Relay with transformer, 15A, 208-240V

Voltage Selection

Code	Voltage	Phase
11	120	1
21	208	1
31	240	1
41	277	1
51	347	1
71	480	1
81	600	1

Finish Selection

Code	Color	Finish
02		White Painted
68		Almond Painted
03		Black Painted

Optional colors

07		Bronze Painted - Steel Anodized - Aluminum
10		Silver Painted - Steel Anodized - Aluminum
Z1		Charcoal Painted
Z2		Metallic Charcoal Painted
Z3		Metallic Silver Painted

Cabinet Features

Code	Description
B	Bottom fresh air inlet
W	Pedestal and finished painted black
S	Finished painted black

Note: Add "S", "B" or "W" to the end of the Cat. No.

Accessories* (field installed)

Cat. No.	Description
SALF6IC90	Inside 90 degree corner
SALF6OC90	Outside 90 degree corner
Filler Sections	Consult factory for available sizes

* Note: Specify "Finish Selection" code (see chart above) when ordering accessories.

Pedestal Options*

Cat. No.	Description
ALPKS2	Pedestal kit for units up to 4' length (2 pedestals included)
ALPKS3	Pedestal kit for units above 4' length (3 pedestals included)

* Note: Specify "Finish Selection" code (see chart above) when ordering accessories.



Steel Architectural Draft Barrier Heater - Slope Top

The exclusive roll-formed design of this slope top architectural heater makes it a maintenance free heating solution and the ideal choice for public areas.

Features

- Exclusive roll-formed design increases strength and greatly improves style
- Advanced architectural, low-profile styling measures 8"H x 2-1/2"W for an unobtrusive appearance
- Slope top design prevents blockage
- Full length thermal protection
- Floating element suspension eliminates expansion noise
- Corrosion resistant, stainless steel tubular element with aluminum fins
- Built-in wire way for continuous installation
- Choice of air intake on front or bottom

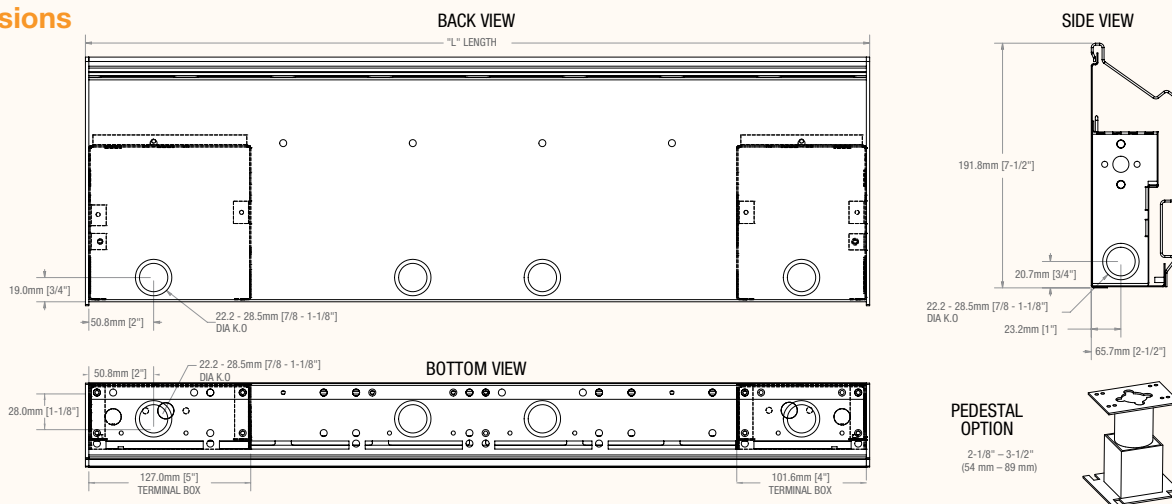
Applications

Commercial Building | Hospital | Daycare Center | Residential Offices | Lobbies | Meeting Rooms | Hallways

Specifications

Voltage	- 120V, 208V, 240V/208V, 277V, 347V, 600V, 50/60 Hz - 1 phase
Wattage	- Sizes ranging from 300W to 2500W
Color	- Standard: White, Almond or Black - Optional: Bronze, Silver, Charcoal, Metallic Charcoal or Metallic Silver
Finish	- Standard: Hybrid epoxy/polyester powder coat process
Construction	- Roll-formed 16-gauge steel front cover - 18-gauge satin coat steel cabinet - Screw assembly for added strength - Full length built-in wire way - Front fresh air inlet or bottom (B); top warm air outlet. Clean back available (S) - Linear high-limit temperature control with automatic reset. End caps included
Heating Element	- Stainless steel tubular heating element with aluminum fins - Floating heating element eliminating expansion noises
Watt Density	- 250W, 200W, 150W
Controls & Installation	- Built-in thermostat available with a control knob or tamperproof adjustable with a screwdriver - Mechanical, electronic relays available (installed on the right end only) - Mounting holes spaced on 4" (102 mm) intervals for ease of installation - Wall or floor mounted installation - Variety of accessories available for wall-to-wall installation - Pedestal kit available
Warranty	- 1-year warranty against defects

Dimensions



Product Order Logic:

Order logic example →

Catalog Number				Options			
SAS8	F	2	05	11	02	A1	S
Series	Inlet F=Front B=Bottom	Length (ft)	Watts	Voltage Selection	Finish Selection	Control Options	Cabinet Features

Ordering Guide

Cat. No.	Watts	BTU	Available Voltages	Phase	Length (mm/in.)	Weight (kg/lbs.)
----------	-------	-----	--------------------	-------	-----------------	------------------

Standard Average Watt Density – 250W/ft

SAS8F205	500	1706	120, 208, 240, 347	1	616 / 24-5/16	3.9 / 8.5
SAS8F307	750	2559	120, 208, 240, 277, 347, 480, 600	1	921 / 36-5/16	5.2 / 11.5
SAS8F410	1000	3412	120, 208, 240, 277, 347, 480, 600	1	1223 / 48-5/16	6.6 / 14.6
SAS8F512	1250	4265	120, 208, 240, 277, 347, 480, 600	1	1530 / 60-5/16	8.3 / 18.2
SAS8F615	1500	5118	120, 208, 240, 277, 347, 480, 600	1	1835 / 72-5/16	10 / 22
SAS8F717	1750	5971	208, 240, 277, 347, 480, 600	1	2140 / 84-5/16	11.9 / 26
SAS8F820	2000	6824	208, 240, 277, 347, 480, 600	1	2445 / 96-5/16	13.8 / 30.5
SAS8F922	2250	7677	208, 240, 277, 347, 480, 600	1	2750 / 108-5/16	16 / 35
SAS8F025	2500	8530	208, 240, 277, 347, 480, 600	1	3054 / 120-5/16	18.3 / 40

Average Watt Density – 200W/ft

SAS8F204	400	1364	120, 208, 240	1	616 / 24-5/16	3.9 / 8.5
SAS8F306	600	2046	120, 208, 240, 347	1	921 / 36-5/16	5.2 / 11.5
SAS8F408	800	2728	120, 208, 240, 277, 347, 480, 600	1	1223 / 48-5/16	6.6 / 14.6
SAS8F510	1000	3410	120, 208, 240, 277, 347, 480, 600	1	1530 / 60-5/16	8.3 / 18.2
SAS8F612	1200	4092	120, 208, 240, 277, 347, 480, 600	1	1835 / 72-5/16	10 / 22
SAS8F714	1400	4774	120, 208, 240, 277, 347, 480, 600	1	2140 / 84-5/16	11.9 / 26
SAS8F816	1600	5459	208, 240, 277, 347, 480, 600	1	2445 / 96-5/16	13.8 / 30.5
SAS8F918	1800	6142	208,240,277,347,480,600	1	2750 / 108-5/16	16 / 35
SAS8F020	2000	6824	208,240,277,347,480,600	1	3054 / 120-5/16	18.3 / 40

Low Average Watt Density – 150W/ft

SAS8F203	300	1023	120, 208	1	616 / 24-5/16	3.9 / 8.5
SAS8F304	450	1535	120, 208, 240, 347	1	921 / 36-5/16	5.2 / 11.5
SAS8F406	600	2046	120, 208, 240, 277, 347, 480	1	1223 / 48-5/16	6.6 / 14.6
SAS8F507	750	2558	120, 208, 240, 277, 347, 600	1	1530 / 60-5/16	8.3 / 18.2
SAS8F609	900	3069	120, 208, 240, 277, 347, 480, 600	1	1835 / 72-5/16	10 / 22
SAS8F710	1050	3581	120, 208, 240, 277, 347, 480, 600	1	2140 / 84-5/16	11.9 / 26
SAS8F812	1200	4092	120, 208, 240, 277, 347, 480, 600	1	2445 / 96-5/16	13.8 / 30.5
SAS8F913	1350	4606	120, 208, 240, 277, 347, 480, 600	1	2750 / 108-5/16	16 / 35
SAS8F015	1500	5118	120, 208, 240, 277, 347, 480, 600	1	3054 / 120-5/16	18.3 / 40

1. Specify desired voltage, finish and control option from tables
2. For bottom inlet version replace "F" in Cat. No. with "B"
3. Endcaps are included with heaters
4. Consult factory for custom finish requirements

Control Options (factory installed)

Cat. No.	Description
A1	Built-in SP tamperproof thermostat 120 - 600V
A2	Built-in DP tamperproof thermostat 120 - 600V
A4	Built-in 24V low voltage relay 120 - 600V
A5	Built-in 24V low voltage relay and transformer 120 - 600V
A8	Built-in disconnect switch, rated 277V/20A
B1	Built-in SP tamperproof thermostat and disconnect
B2	Built-in DP tamperproof thermostat and disconnect
D1	Built-in low voltage relay and disconnect
D2	Built-in low voltage relay / transformer and disconnect
F1	Built-in SP adjustable thermostat 120 - 600V (side mounted)
F2	Built-in DP adjustable thermostat 120 - 600V (side mounted)
F3	Built-in SP adjustable thermostat and disconnect
F4	Built-in DP adjustable thermostat and disconnect
G1	TRIAC Relay, 347V Max
G2	TRIAC Relay, 600V Max
G3	TRIAC Relay with transformer, 15A, 240-347V
G4	TRIAC Relay with transformer, 15A, 208-240V

Voltage Selection

Code	Voltage	Phase
11	120	1
21	208	1
31	240	1
41	277	1
51	347	1
71	480	1
81	600	1

Finish Selection

Code	Color	Finish
02		White Painted
68		Almond Painted
03		Black Painted

Optional colors

07		Bronze	Painted - Steel Anodized - Aluminum
10		Silver	Painted - Steel Anodized - Aluminum
Z1		Charcoal	Painted
Z2		Metallic Charcoal	Painted
Z3		Metallic Silver	Painted

Cabinet Features

Code	Description
B	Bottom fresh air inlet
W	Pedestal and finished painted black
S	Finished painted black

Note: Add "S", "B" or "W" to the end of the Cat. No.

Accessories* (field installed)

Cat. No.	Description
SALF8IC90	Inside 90 degree corner
SALF8OC90	Outside 90 degree corner
Filler Sections	Consult factory for available sizes

* Note: Specify "Finish Selection" code (see chart above) when ordering accessories.

Pedestal Options*

Cat. No.	Description
ALPKS2	Pedestal kit for units up to 4' length (2 pedestals included)
ALPKS3	Pedestal kit for units above 4' length (3 pedestals included)

* Note: Specify "Finish Selection" code (see chart above) when ordering accessories.



Commercial

Architectural Draft Barrier Heater

Architecturally pleasing, maintenance free solution to reducing window drafts in commercial buildings.

Features

- Advanced architectural, low profile styling measures 6"H x 2-1/2"W for an unobtrusive appearance
- Full length thermal protection
- Floating element suspension eliminates expansion noise
- Non-corrosive, stainless steel tubular element with aluminum fins
- Built-in wireway for continuous installation
- Choice of air intake on front or bottom

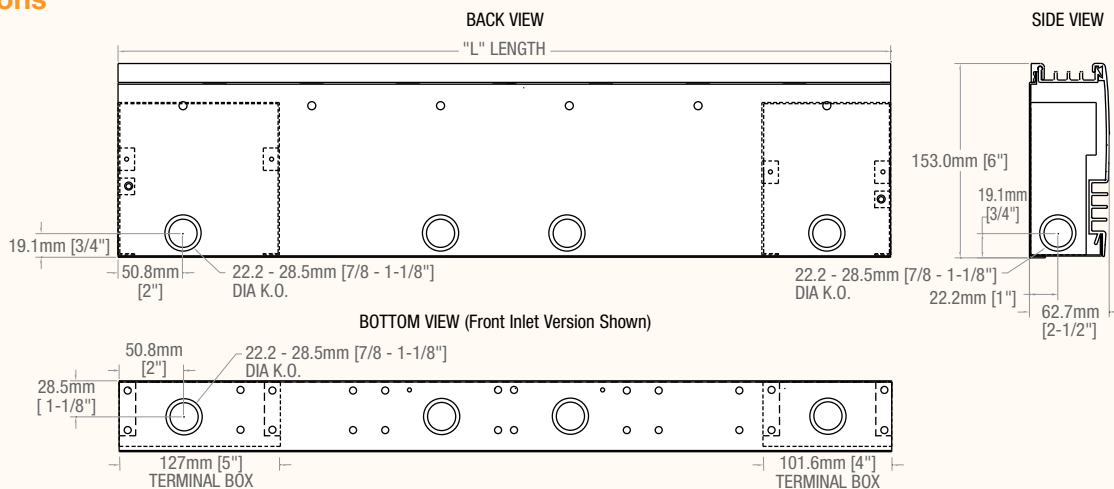
Applications

Commercial, Institutional, Residential Offices
| Lobbies | Meeting Rooms | Hallways

Specifications

Voltage	- 120V, 208V, 240V, 277V, 347V, 480V, 600V - 1 phase
Wattage	- Sizes ranging from 300W to 2500W
Color	- Standard: White, Almond or Black - Optional: Bronze, Silver, Charcoal, Metallic Charcoal or Metallic Silver
Finish	- Painted finish is hybrid polyester epoxy powder coat process - Silver and Bronze are anodized aluminum finishes
Construction	- Front and top are constructed of extruded aluminum equivalent in strength to 14 gauge steel, with punched air intake and exhaust vents - Cabinet back and bottom are fabricated from satin coat steel with multiple knockouts for convenient power connection - Endcaps are field removable for continuous heater installation - Full length wire way for convenient wiring
Heating Element	- Stainless steel sheath encloses a nickel chromium element compacted in a mineral insulation - Aluminum fins are brazed to the surface and provide superior heat transfer
Watt Density	- 250W, 200W, 150W
Controls & Installation	- Built-in tamperproof thermostat, or adjustable thermostat controls may be mounted in either the left or right hand terminal box - Built-in low voltage controls, if specified, are located in the right hand terminal box - Built-in disconnect switches, if specified, are located in the right hand terminal box - Power connection can be made at either end of the heater
Warranty	- 1-year warranty on complete unit

Dimensions



Product Order Logic:

Order logic example →

Catalog Number				Options			
AF6	F	2	05	11	02	A1	S
Series	Inlet F=Front B=Bottom	Length (ft)	Watts	Voltage Selection	Finish Selection	Control Options	Cabinet Features

Ordering Guide

Cat. No.	Watts	BTU	Available Voltages	Phase	Length (mm/in.)	Weight (kg/lbs.)
----------	-------	-----	--------------------	-------	-----------------	------------------

Standard Average Watt Density – 250W/ft

AF6F205	500	1706	120, 208, 240, 347	1	616 / 24-5/16	3.9 / 8.5
AF6F307	750	2559	120, 208, 240, 277, 347, 480, 600	1	921 / 36-5/16	5.2 / 11.5
AF6F410	1000	3412	120, 208, 240, 277, 347, 480, 600	1	1223 / 48-5/16	6.6 / 14.6
AF6F512	1250	4265	120, 208, 240, 277, 347, 480, 600	1	1530 / 60-5/16	8.3 / 18.2
AF6F615	1500	5118	120, 208, 240, 277, 347, 480, 600	1	1835 / 72-5/16	10 / 22
AF6F717	1750	5971	208, 240, 277, 347, 480, 600	1	2140 / 84-5/16	11.9 / 26
AF6F820	2000	6824	208, 240, 277, 347, 480, 600	1	2445 / 96-5/16	13.8 / 30.5
AF6F922	2250	7677	208, 240, 277, 347, 480, 600	1	2750 / 108-5/16	16 / 35
AF6F025	2500	8530	208, 240, 277, 347, 480, 600	1	3054 / 120-5/16	18.3 / 40

Average Watt Density – 200W/ft

AF6F204	400	1364	120, 208, 240	1	616 / 24-5/16	3.9 / 8.5
AF6F306	600	2046	120, 208, 240, 347	1	921 / 36-5/16	5.2 / 11.5
AF6F408	800	2728	120, 208, 240, 277, 347, 480, 600	1	1223 / 48-5/16	6.6 / 14.6
AF6F510	1000	3410	120, 208, 240, 277, 347, 480, 600	1	1530 / 60-5/16	8.3 / 18.2
AF6F612	1200	4092	120, 208, 240, 277, 347, 480, 600	1	1835 / 72-5/16	10 / 22
AF6F714	1400	4774	120, 208, 240, 277, 347, 480, 600	1	2140 / 84-5/16	11.9 / 26
AF6F816	1600	5459	208, 240, 277, 347, 480, 600	1	2445 / 96-5/16	13.8 / 30.5
AF6F918	1800	6142	208, 240, 277, 347, 480, 600	1	2750 / 108-5/16	16 / 35
AF6F020	2000	6824	208, 240, 277, 347, 480, 600	1	3054 / 120-5/16	18.3 / 40

Low Average Watt Density – 150W/ft

AF6F203	300	1023	120, 208	1	616 / 24-5/16	3.9 / 8.5
AF6F304	450	1535	120, 208, 240, 347	1	921 / 36-5/16	5.2 / 11.5
AF6F406	600	2046	120, 208, 240, 277, 347, 480	1	1223 / 48-5/16	6.6 / 14.6
AF6F507	750	2558	120, 208, 240, 277, 347, 600	1	1530 / 60-5/16	8.3 / 18.2
AF6F609	900	3069	120, 208, 240, 277, 347, 480, 600	1	1835 / 72-5/16	10 / 22
AF6F710	1050	3581	120, 208, 240, 277, 347, 480, 600	1	2140 / 84-5/16	11.9 / 26
AF6F812	1200	4092	120, 208, 240, 277, 347, 480, 600	1	2445 / 96-5/16	13.8 / 30.5
AF6F913	1350	4606	120, 208, 240, 277, 347, 480, 600	1	2750 / 108-5/16	16 / 35
AF6F015	1500	5118	120, 208, 240, 277, 347, 480, 600	1	3054 / 120-5/16	18.3 / 40

1. Specify desired voltage, finish and control option from tables
2. For bottom inlet version replace "F" in Cat. No. with "B"
3. Endcaps are included with heaters
4. Consult factory for custom finish requirements

Control Options (factory installed)

Cat. No.	Description
A1	Built-in SP tamperproof thermostat 120 - 600V
A2	Built-in DP tamperproof thermostat 120 - 600V
A4	Built-in 24V low voltage relay 120 - 600V
A5	Built-in 24V low voltage relay and transformer 120 - 600V
A8	Built-in disconnect switch, rated 277V/20A
B1	Built-in SP tamperproof thermostat and disconnect
B2	Built-in DP tamperproof thermostat and disconnect
D1	Built-in low voltage relay and disconnect
D2	Built-in low voltage relay / transformer and disconnect
F1	Built-in SP adjustable thermostat 120 - 600V (side mounted)
F2	Built-in DP adjustable thermostat 120 - 600V (side mounted)
F3	Built-in SP adjustable thermostat and disconnect
F4	Built-in DP adjustable thermostat and disconnect
G1	TRIAC Relay, 347V Max
G2	TRIAC Relay, 600V Max
G3	TRIAC Relay with transformer, 15A, 240-347V
G4	TRIAC Relay with transformer, 15A, 208-240V

Voltage Selection

Code	Voltage	Phase
11	120	1
21	208	1
31	240	1
41	277	1
51	347	1
71	480	1
81	600	1

Finish Selection

Code	Color	Finish
02		White Painted
68		Almond Painted
03		Black Painted

Optional colors

07		Bronze	Painted - Steel Anodized - Aluminum
10		Silver	Painted - Steel Anodized - Aluminum
Z1		Charcoal	Painted
Z2		Metallic Charcoal	Painted
Z3		Metallic Silver	Painted

Cabinet Features

Code	Description
W	Pedestal and finished painted black
S	Finished painted black

Note: Add "S" or "W" to the end of the Cat. No.

Accessories* (field installed)

Cat. No.	Description
ALF6IC90	Inside 90 degree corner
ALF6OC90	Outside 90 degree corner
Filler Sections	Consult factory for available sizes

* Note: Specify "Finish Selection" code (see chart above) when ordering accessories.

Pedestal Options*

Cat. No.	Description
ALPKS2	Pedestal kit for units up to 4' length (2 pedestals included)
ALPKS3	Pedestal kit for units above 4' length (3 pedestals included)

* Note: Specify "Finish Selection" code (see chart above) when ordering accessories.



Commercial

Architectural Slope Top Heater

Smooth architectural lines and maintenance free construction make it the ideal choice for public areas.

Features

- Advanced architectural, low profile styling measures 8"H x 2-1/2"W for an unobtrusive appearance
- Slope top design prevents blockage
- Full length thermal protection
- Floating element suspension eliminates expansion noise
- Non-corrosive, stainless steel tubular element with aluminum fins
- Built-in wireway for continuous installation
- Choice of air intake on front or bottom

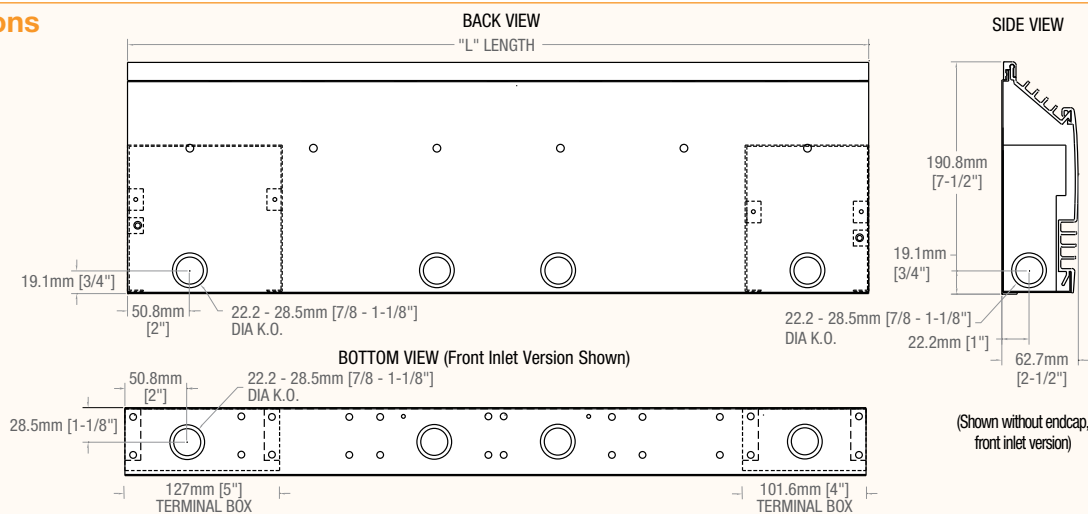
Applications

Commercial, Institutional, Residential Offices
| Lobbies | Meeting Rooms | Hallways

Specifications

Voltage	- 120V, 208V, 240V, 277V, 347V, 480V, 600V - 1 phase
Wattage	- Sizes ranging from 300W to 2500W
Color	- Standard: White, Almond or Black - Optional: Bronze, Silver, Charcoal, Metallic Charcoal or Metallic Silver
Finish	- Painted finish is hybrid polyester epoxy powder coat process - Silver and Bronze are anodized aluminum finishes
Construction	- Front and top are constructed of extruded aluminum equivalent in strength to 14 gauge steel, with punched air intake and exhaust vents - Cabinet back and bottom are fabricated from satin coat steel with multiple knockouts for convenient power connection - Endcaps are field removable for continuous heater installation - Full length wire way for convenient wiring
Heating Element	- Stainless steel sheath encloses a nickel chromium element compacted in a mineral insulation - Aluminum fins are brazed to the surface and provide superior heat transfer
Watt Density	- 250W, 200W, 150W
Controls & Installation	- Built-in tamperproof thermostat, or adjustable thermostat controls may be mounted in either the left or right hand terminal box - Built-in low voltage controls, if specified, are located in the right hand terminal box - Built-in disconnect switches, if specified, are located in the right hand terminal box - Power connection can be made at either end of the heater
Warranty	- 1-year warranty on complete unit

Dimensions



Product Order Logic:

Order logic example →

Catalog Number				Options			
AS8	F	2	05	11	02	A1	S
Series	Inlet F=Front B=Bottom	Length (ft)	Watts	Voltage Selection	Finish Selection	Control Options	Cabinet Features

Ordering Guide

Cat. No.	Watts	BTU	Available Voltages	Phase	Length (mm/in.)	Weight (kg/lbs.)
----------	-------	-----	--------------------	-------	-----------------	------------------

Standard Average Watt Density – 250W/ft

AS8F205	500	1706	120, 208, 240, 347	1	616 / 24-5/16	3.9 / 8.5
AS8F307	750	2559	120, 208, 240, 277, 347, 480, 600	1	921 / 36-5/16	5.2 / 11.5
AS8F410	1000	3412	120, 208, 240, 277, 347, 480, 600	1	1223 / 48-5/16	6.6 / 14.6
AS8F512	1250	4265	120, 208, 240, 277, 347, 480, 600	1	1530 / 60-5/16	8.3 / 18.2
AS8F615	1500	5118	120, 208, 240, 277, 347, 480, 600	1	1835 / 72-5/16	10 / 22
AS8F717	1750	5971	208, 240, 277, 347, 480, 600	1	2140 / 84-5/16	11.9 / 26
AS8F820	2000	6824	208, 240, 277, 347, 480, 600	1	2445 / 96-5/16	13.8 / 30.5
AS8F922	2250	7677	208, 240, 277, 347, 480, 600	1	2750 / 108-5/16	16 / 35
AS8F025	2500	8530	208, 240, 277, 347, 480, 600	1	3054 / 120-5/16	18.3 / 40

Average Watt Density – 200W/ft

AS8F204	400	1364	120, 208, 240	1	616 / 24-5/16	3.9 / 8.5
AS8F306	600	2046	120, 208, 240, 347	1	921 / 36-5/16	5.2 / 11.5
AS8F408	800	2728	120, 208, 240, 277, 347, 480, 600	1	1223 / 48-5/16	6.6 / 14.6
AS8F510	1000	3410	120, 208, 240, 277, 347, 480, 600	1	1530 / 60-5/16	8.3 / 18.2
AS8F612	1200	4092	120, 208, 240, 277, 347, 480, 600	1	1835 / 72-5/16	10 / 22
AS8F714	1400	4774	120, 208, 240, 277, 347, 480, 600	1	2140 / 84-5/16	11.9 / 26
AS8F816	1600	5459	208, 240, 277, 347, 480, 600	1	2445 / 96-5/16	13.8 / 30.5
AS8F918	1800	6142	208, 240, 277, 347, 480, 600	1	2750 / 108-5/16	16 / 35
AS8F020	2000	6824	208, 240, 277, 347, 480, 600	1	3054 / 120-5/16	18.3 / 40

Low Average Watt Density – 150W/ft

AS8F203	300	1023	120, 208	1	616 / 24-5/16	3.9 / 8.5
AS8F304	450	1535	120, 208, 240, 347	1	921 / 36-5/16	5.2 / 11.5
AS8F406	600	2046	120, 208, 240, 277, 347, 480	1	1223 / 48-5/16	6.6 / 14.6
AS8F507	750	2558	120, 208, 240, 277, 347, 600	1	1530 / 60-5/16	8.3 / 18.2
AS8F609	900	3069	120, 208, 240, 277, 347, 480, 600	1	1835 / 72-5/16	10 / 22
AS8F710	1050	3581	120, 208, 240, 277, 347, 480, 600	1	2140 / 84-5/16	11.9 / 26
AS8F812	1200	4092	120, 208, 240, 277, 347, 480, 600	1	2445 / 96-5/16	13.8 / 30.5
AS8F913	1350	4606	120, 208, 240, 277, 347, 480, 600	1	2750 / 108-5/16	16 / 35
AS8F015	1500	5118	120, 208, 240, 277, 347, 480, 600	1	3054 / 120-5/16	18.3 / 40

1. Specify desired voltage, finish and control option from tables
2. For bottom inlet version replace "F" in Cat. No. with "B"
3. Endcaps are included with heaters
4. Consult factory for custom finish requirements




Control Options (factory installed)

Cat. No.	Description
A1	Built-in SP tamperproof thermostat 120 - 600V
A2	Built-in DP tamperproof thermostat 120 - 600V
A4	Built-in 24V low voltage relay 120 - 600V
A5	Built-in 24V low voltage relay and transformer 120 - 600V
A8	Built-in disconnect switch, rated 277V/20A
B1	Built-in SP tamperproof thermostat and disconnect
B2	Built-in DP tamperproof thermostat and disconnect
D1	Built-in low voltage relay and disconnect
D2	Built-in low voltage relay / transformer and disconnect
F1	Built-in SP adjustable thermostat 120 - 600V (side mounted)
F2	Built-in DP adjustable thermostat 120 - 600V (side mounted)
F3	Built-in SP adjustable thermostat and disconnect
F4	Built-in DP adjustable thermostat and disconnect
G1	TRIAC Relay, 347V Max
G2	TRIAC Relay, 600V Max
G3	TRIAC Relay with transformer, 15A, 240-347V
G4	TRIAC Relay with transformer, 15A, 208-240V

Voltage Selection

Code	Voltage	Phase
11	120	1
21	208	1
31	240	1
41	277	1
51	347	1
71	480	1
81	600	1

Finish Selection

Code	Color	Finish
02		White Painted
68		Almond Painted
03		Black Painted

Optional colors

07		Bronze	Painted - Steel Anodized - Aluminum
10		Silver	Painted - Steel Anodized - Aluminum
Z1		Charcoal	Painted
Z2		Metallic Charcoal	Painted
Z3		Metallic Silver	Painted

Cabinet Features

Code	Description
W	Pedestal and finished painted black
S	Finished painted black

Note: Add "S" or "W" to the end of the Cat. No.

Accessories* (field installed)

Cat. No.	Description
ALS8IC90	Inside 90 degree corner
ALS8OC90	Outside 90 degree corner
Filler Sections	Consult factory for available sizes

* Note: Specify "Finish Selection" code (see chart above) when ordering accessories.

Pedestal Options*

Cat. No.	Description
ALPKS2	Pedestal kit for units up to 4' length (2 pedestals included)
ALPKS3	Pedestal kit for units above 4' length (3 pedestals included)

* Note: Specify "Finish Selection" code (see chart above) when ordering accessories.



Commercial

Architectural Convection Heater

Heavy duty design and maintenance free construction combined with a high BTU output for quiet convection operation.

Features

- Advanced architectural styling with an unobtrusive profile that measures 12"H x 5-3/4"W
- Full length thermal protection
- Floating element suspension eliminates expansion noise
- Non-corrosive, stainless steel tubular element with aluminum fins
- Built-in wireway for continuous installation
- Choice of air intake on front or bottom

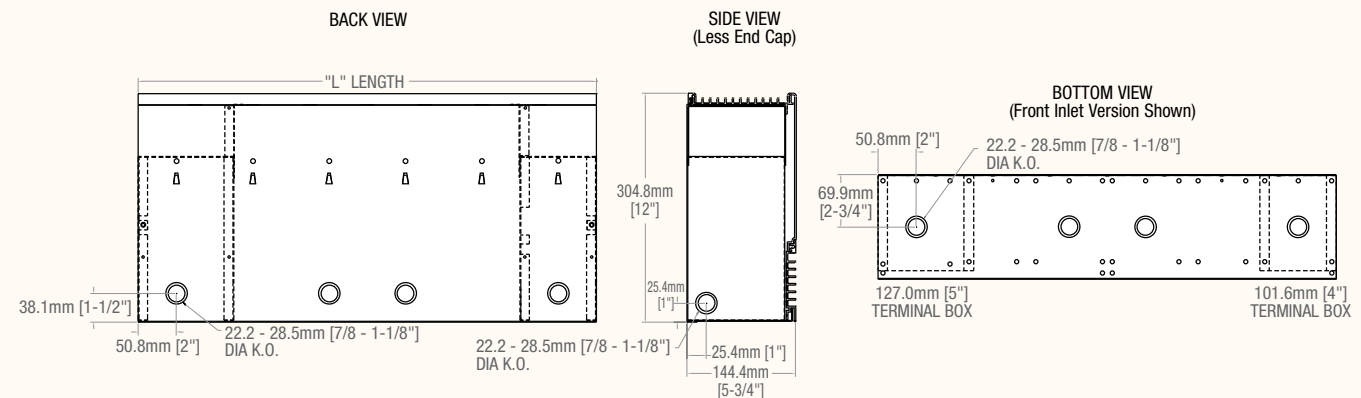
Applications

Commercial | Institutional | Classrooms | Meeting Rooms | Auditoriums | Churches | Hospitals

Specifications

Voltage	- 208V, 240V, 277V, 347V, 480V, 600V - 1 and 3 phase
Wattage	- Sizes ranging from 900W to 6000W
Color	- Standard: White, Almond or Black - Optional: Bronze, Silver, Charcoal, Metallic Charcoal or Metallic Silver
Finish	- Painted finish is hybrid polyester epoxy powder coat process - Silver and Bronze are anodized aluminum finishes
Construction	- Front and top are constructed of extruded aluminum equivalent in strength to 14 gauge steel, with punched air intake and exhaust vents - Cabinet back and bottom are fabricated from satin coat steel with multiple knockouts for convenient power connection - Endcaps are field removable for continuous heater installation - Full length wire way for convenient wiring
Heating Element	- Stainless steel sheath encloses a nickel chromium element compacted in a mineral insulation - Aluminum fins are brazed to the surface and provide superior heat transfer
Watt Density	- 750W, 562W, 450W
Controls & Installation	- Built-in tamperproof thermostat, or adjustable thermostat controls may be mounted in either the left or right hand terminal box - Built-in low voltage controls, if specified, are located in the right hand terminal box - Built-in disconnect switches, if specified, are located in the right hand terminal box - Power connection can be made at either end of the heater
Warranty	- 1-year warranty on complete unit

Dimensions



Product Order Logic:

Order logic example →

Catalog Number				Options			
AF12	F	2	15	21	02	A9	S
Series	Inlet F=Front B=Bottom	Length (ft)	Watts	Voltage Selection	Finish Selection	Control Options	Cabinet Features

Ordering Guide

Cat. No.	Watts	BTU	Available Voltages		Length (mm/in.)	Weight (kg/lbs.)
			1 Phase	3 Phase		

Standard Average Watt Density – 750W/ft

AF12F215	1500	5118	208, 240, 347, 600	208, 600	617 / 24-5/16	10.5 / 23
AF12F430	3000	10236	208, 240, 277, 347, 600	208, 480, 600	1227 / 48-5/16	16.0 / 35
AF12F637	3750	12795	208, 240, 277, 347, 480, 600	208, 480, 600	1836 / 72-5/16	21.6 / 48
AF12F645	4500	15354	208, 240, 277, 347, 600	208, 480, 600	1836 / 72-5/16	21.6 / 48
AF12F852	5250	17913	208, 240, 277, 347, 480, 600	208, 480, 600	2446 / 96-5/16	27.0 / 60
AF12F860	6000	20472	208, 240, 277, 347, 600	208, 480, 600	2446 / 96-5/16	27.0 / 60

Average Watt Density – 562W/ft

AF12F211	1125	3838	208, 347, 600	208	617 / 24-5/16	10.5 / 23
AF12F316	1687	5756	208, 347, 600	208, 480, 600	922 / 36-5/16	13.3 / 29
AF12F422	2250	7677	208, 240, 277, 347, 600	208, 480, 600	1227 / 48-5/16	16.0 / 35
AF12F633	3375	11515	208, 240, 277, 347, 600	208, 480, 600	1836 / 72-5/16	21.6 / 48
AF12F845	4500	15354	208, 240, 277, 347, 600	208, 480, 600	2446 / 96-5/16	27.0 / 60

Low Average Density – 450W/ft

AF12F209	900	3071	208, 240, 277, 347, 480, 600	208	617 / 24-5/16	10.5 / 25
AF12F313	1350	4606	208, 240, 277, 347, 480, 600	208	921 / 36-5/16	15.0 / 33
AF12F418	1800	6142	208, 240, 277, 347, 480, 600	208	1227 / 48-5/16	16.0 / 35
AF12F522	2250	7677	208, 240, 277, 347, 480, 600	208, 480, 600	1530 / 60-5/15	18.1 / 40
AF12F627	2700	9212	208, 240, 277, 347, 480, 600	208, 480, 600	1836 / 72-5/16	21.6 / 48
AF12F731	3150	10748	208, 240, 277, 347, 480, 600	208, 480, 600	2140 / 84-5/16	24.5 / 54
AF12F836	3600	12283	208, 240, 277, 347, 480, 600	208, 480, 600	2446 / 96-5/16	27.0 / 60

1. Specify desired voltage, finish and control option from tables
2. For bottom inlet version replace "F" in Cat. No. with "B"
3. Endcaps are included with heaters
4. Consult factory for custom finish requirements

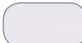
Control Options (factory installed)

Cat. No.	Description
A3	Built-in SP tamperproof hydraulic thermostat for 3 phase 208 - 600V
A4	Built-in 24V low voltage relay for 1 phase 208 - 600V
A5	Built-in 24V low voltage relay and transformer for 1 phase 208 - 600V
A6	Built-in 24V contactor less transformer for 3 phase 208 - 600V
A7	Built-in 24V contactor and transformer for 3 phase 208 - 600V
A8	Built-in disconnect switch, rated 600V/50A
A9	Built-in DP tamperproof hydraulic thermostat 208 - 600V
B3	Built-in SP tamperproof thermostat and disconnect
B9	Built-in DP tamperproof thermostat and disconnect
G1	TRIAC Relay, 347V Max
G2	TRIAC Relay, 600V Max
G3	TRIAC Relay with transformer, 15A, 240-347V
G4	TRIAC Relay with transformer, 15A, 208-240V

Voltage Selection

Code	Voltage	Phase
21	208	1
23	208	3
31	240	1
41	277	1
51	347	1
71	480	1
73	480	3
81	600	1
83	600	3

Finish Selection

Code	Color	Finish
02		White Painted
68		Almond Painted
03		Black Painted

Optional colors

07		Bronze	Painted - Steel Anodized - Aluminum
10		Silver	Painted - Steel Anodized - Aluminum
Z1		Charcoal	Painted
Z2		Metallic Charcoal	Painted
Z3		Metallic Silver	Painted

Cabinet Features

Code	Description
W	Pedestal and finished painted black
S	Finished painted black

Note: Add "S" or "W" to the end of the Cat. No.

Accessories* (field installed)

Cat. No.	Description
ALF12IC90	Inside 90 degree corner
ALF12OC90	Outside 90 degree corner
Filler Sections	Consult factory for available sizes

* Note: Specify "Finish Selection" code (see chart above) when ordering accessories.

Pedestal Options*

Cat. No.	Description
ALPKM2	Pedestal kit for units up to 4' length (2 pedestals included)
ALPKM3	Pedestal kit for units above 4' length (3 pedestals included)

* Note: Specify "Finish Selection" code (see chart above) when ordering accessories.



Commercial

Architectural Slope Top Heater

Heavy duty slope top design and higher heat output are ideal for larger public areas.

Features

- Advanced architectural slope top design prevents blockage
- Profile measures 12"H x 5-3/4"W for an unobtrusive appearance
- Full length thermal protection
- Floating element suspension eliminates expansion noise
- Non-corrosive, stainless steel tubular element with aluminum fins
- Built-in wireway for continuous installation
- Choice of air intake on front or bottom

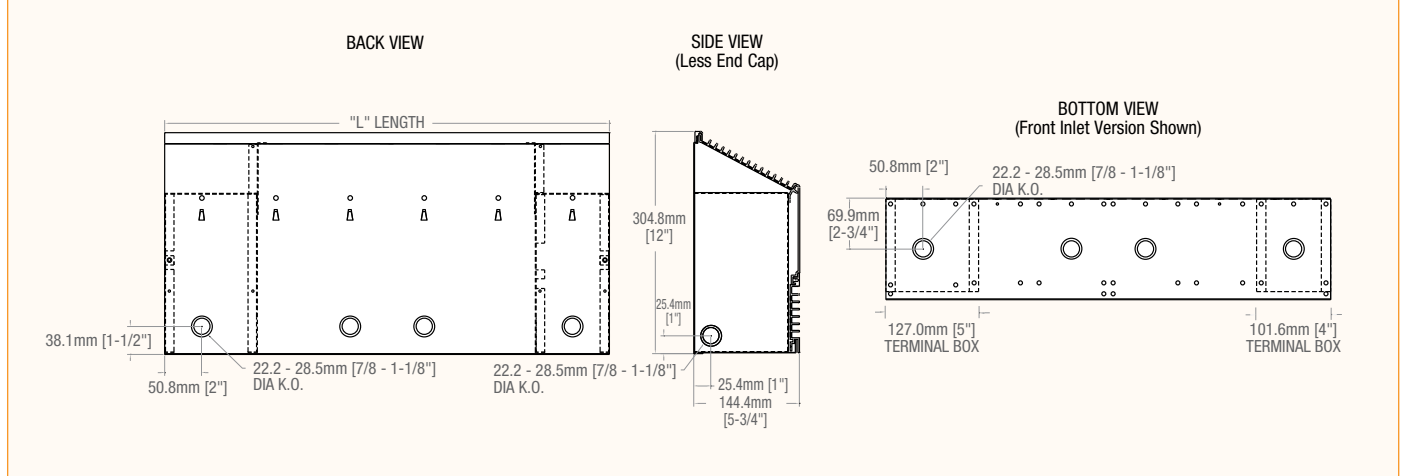
Applications

Commercial | Institutional | Schools | Public Offices
| Banks and Sports Facilities

Specifications

Voltage	- 208V, 240V, 277V, 347V, 480V, 600V - 1 and 3 phase
Wattage	- Sizes ranging from 900W to 6000W
Color	- Standard: White, Almond or Black - Optional: Bronze, Silver, Charcoal, Metallic Charcoal or Metallic Silver
Finish	- Painted finish is hybrid polyester epoxy powder coat process - Silver and Bronze are anodized aluminum finishes
Construction	- Front and top are constructed of extruded aluminum equivalent in strength to 14 gauge steel, with punched air intake and exhaust vents - Cabinet back and bottom are fabricated from satin coat steel with multiple knockouts for convenient power connection - Endcaps are field removable for continuous heater installation - Full length wire way for convenient wiring
Heating Element	- Stainless steel sheath encloses a nickel chromium element compacted in a mineral insulation - Aluminum fins are brazed to the surface and provide superior heat transfer
Watt Density	- 750W, 562W, 450W
Controls & Installation	- Built-in tamperproof thermostat, or adjustable thermostat controls may be mounted in either the left or right hand terminal box - Built-in low voltage controls, if specified, are located in the right hand terminal box - Built-in disconnect switches, if specified, are located in the right hand terminal box - Power connection can be made at either end of the heater
Warranty	- 1-year warranty on complete unit

Dimensions



Product Order Logic:

Order logic example →

Catalog Number				Options			
AS12	F	2	15	21	02	A9	S
Series	Inlet F=Front B=Bottom	Length (ft)	Watts	Voltage Selection	Finish Selection	Control Options	Cabinet Features

Ordering Guide

Cat. No.	Watts	BTU	Available Voltages		Length (mm/in.)	Weight (kg/lbs.)
			1 Phase	3 Phase		

Standard Average Watt Density – 750W/ft

AS12F215	1500	5118	208, 240, 347, 600	208, 600	617 / 24-5/16	10.5 / 23
AS12F430	3000	10236	208, 240, 277, 347, 600	208, 480, 600	1227 / 48-5/16	16.0 / 35
AS12F637	3750	12795	208, 240, 277, 347, 480, 600	208, 480, 600	1836 / 72-5/16	21.6 / 48
AS12F645	4500	15354	208, 240, 277, 347, 600	208, 480, 600	1836 / 72-5/16	21.6 / 48
AS12F852	5250	17913	208, 240, 277, 347, 480, 600	208, 480, 600	2446 / 96-5/16	27.0 / 60
AS12F860	6000	20472	208, 240, 277, 347, 600	208, 480, 600	2446 / 96-5/16	27.0 / 60

Average Watt Density – 562W/ft

AS12F211	1125	3838	208, 347, 600	208	617 / 24-5/16	10.5 / 23
AS12F316	1687	5756	208, 347, 600	208, 480, 600	922 / 36-1/16	13.3 / 29
AS12F422	2250	7677	208, 240, 277, 347, 600	208, 480, 600	1227 / 48-5/16	16.0 / 35
AS12F633	3375	11515	208, 240, 277, 347, 600	208, 480, 600	1836 / 72-5/16	21.6 / 48
AS12F845	4500	15354	208, 240, 277, 347, 600	208, 480, 600	2446 / 96-5/16	27.0 / 60

Low Average Density – 450W/ft

AS12F209	900	3071	208, 240, 277, 347, 480, 600	208	617 / 24-5/16	10.5 / 25
AS12F313	1350	4606	208, 240, 277, 347, 480, 600	208	921 / 36-5/16	14.5 / 32
AS12F418	1800	6142	208, 240, 277, 347, 480, 600	208	1227 / 48-5/16	16.0 / 35
AS12F522	2250	7677	208, 240, 277, 347, 480, 600	208, 480, 600	1530 / 60-5/15	19.1 / 42
AS12F627	2700	9212	208, 240, 277, 347, 480, 600	208, 480, 600	1836 / 72-5/16	21.6 / 48
AS12F731	3150	10748	208, 240, 277, 347, 480, 600	208, 480, 600	2140 / 84-5/16	26.3 / 58
AS12F836	3600	12283	208, 240, 277, 347, 480, 600	208, 480, 600	2446 / 96-5/16	27.0 / 60

1. Specify desired voltage, finish and control option from tables
2. For bottom inlet version replace "F" in Cat. No. with "B"
3. Endcaps are included with heaters
4. Consult factory for custom finish requirements

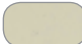
Control Options (factory installed)

Cat. No.	Description
A3	Built-in SP tamperproof hydraulic thermostat for 3 phase 208 - 600V
A4	Built-in 24V low voltage relay for 1 phase 208 - 600V
A5	Built-in 24V low voltage relay and transformer for 1 phase 208 - 600V
A6	Built-in 24V contactor less transformer for 3 phase 208 - 600V
A7	Built-in 24V contactor and transformer for 3 phase 208 - 600V
A8	Built-in disconnect switch, rated 600V/50A
A9	Built-in DP tamperproof hydraulic thermostat 208 - 600V
B3	Built-in SP tamperproof thermostat and disconnect
B9	Built-in DP tamperproof thermostat and disconnect
G1	TRIAC Relay, 347V Max
G2	TRIAC Relay, 600V Max
G3	TRIAC Relay with transformer, 15A, 240-347V
G4	TRIAC Relay with transformer, 15A, 208-240V

Voltage Selection

Code	Voltage	Phase
21	208	1
23	208	3
31	240	1
41	277	1
51	347	1
71	480	1
73	480	3
81	600	1
83	600	3

Finish Selection

Code	Color	Finish
02		White Painted
68		Almond Painted
03		Black Painted

Optional colors

07		Bronze	Painted - Steel Anodized - Aluminum
10		Silver	Painted - Steel Anodized - Aluminum
Z1		Charcoal	Painted
Z2		Metallic Charcoal	Painted
Z3		Metallic Silver	Painted

Cabinet Features

Code	Description
W	Pedestal and finished painted black
S	Finished painted black

Note: Add "S" or "W" to the end of the Cat. No.

Accessories* (field installed)

Cat. No.	Description
ALS12IC90	Inside 90 degree corner
ALS12OC90	Outside 90 degree corner
Filler Sections	Consult factory for available sizes

* Note: Specify "Finish Selection" code (see chart above) when ordering accessories.

Pedestal Options*

Cat. No.	Description
ALPKM2	Pedestal kit for units up to 4' length (2 pedestals included)
ALPKM3	Pedestal kit for units above 4' length (3 pedestals included)

* Note: Specify "Finish Selection" code (see chart above) when ordering accessories.



Commercial

Architectural Convection Heater

Heavy duty architectural design and high heat output are perfect for large commercial spaces where quiet natural convection performance is required.

Features

- Advanced architectural styling
- Profile measures 20"H x 5-3/4"W for an unobtrusive appearance
- Full length thermal protection
- Floating element suspension eliminates expansion noise
- Non-corrosive, stainless steel tubular element with aluminum fins
- Front air intake, front air exhaust
- May be partially or fully recessed

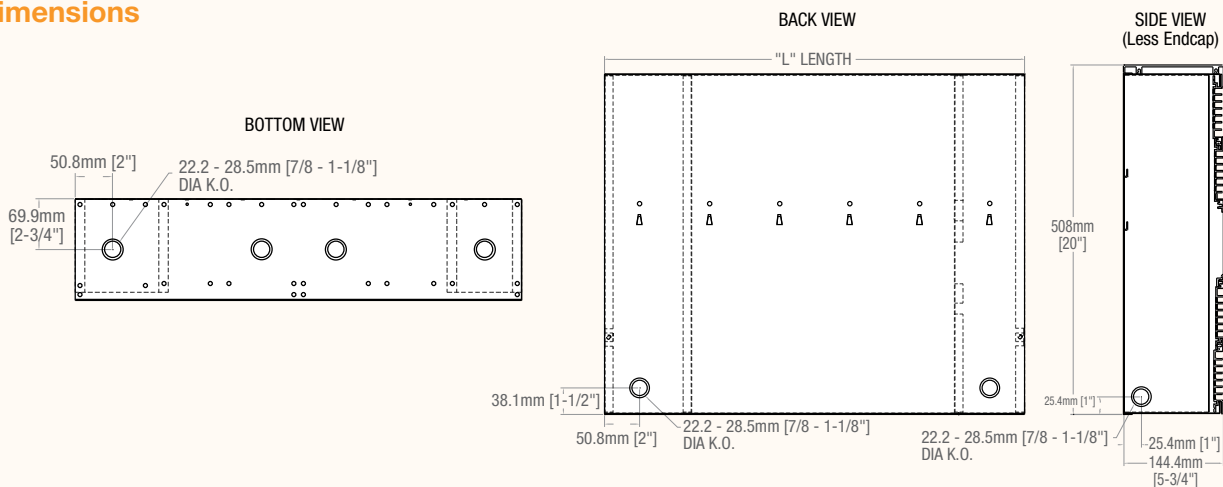
Applications

Commercial | Institutional | Meeting Rooms | Schools | Churches | Auditoriums | Hospitals

Specifications

Voltage	- 208V, 240V, 277V, 347V, 480V, 600V - 1 and 3 phase
Wattage	- Sizes ranging from 1200W to 6000W
Color	- Standard: White, Almond or Black - Optional: Bronze, Silver, Charcoal, Metallic Charcoal or Metallic Silver
Finish	- Painted finish is hybrid polyester epoxy powder coat process - Silver and Bronze are anodized aluminum finishes
Construction	- Front and top are constructed of extruded aluminum equivalent in strength to 14 gauge steel, with punched air intake and exhaust vents - Cabinet back and bottom are fabricated from satin coat steel with multiple knockouts for convenient power connection - Endcaps are field removable for continuous heater installation - Full length wire way for convenient wiring
Heating Element	- Stainless steel sheath encloses a nickel chromium element compacted in a mineral insulation - Aluminum fins are brazed to the surface and provide superior heat transfer
Watt Density	- 1000W, 750W, 600W
Controls & Installation	- Built-in tamperproof thermostat, or adjustable thermostat controls may be mounted in either the left or right hand terminal box - Built-in low voltage controls, if specified, are located in the right hand terminal box - Built-in disconnect switches, if specified, are located in the right hand terminal box - Power connection can be made at either end of the heater
Warranty	- 1-year warranty on complete unit

Dimensions



Product Order Logic:

Order logic example →

Catalog Number			Options		
AF20	2	20	21	02	A9
Series	Length (ft)	Watts	Voltage Selection	Finish Selection	Control Options

Ordering Guide

Cat. No.	Watts	BTU	Available Voltages		Length (mm/in.)	Weight (kg/lbs.)
			1 Phase	3 Phase		

Standard Average Watt Density – 1000W/ft

AF20220	2000	6824	208, 240, 277, 347, 600	208, 480	617 / 24-1/3	17.7 / 39
AF20330	3000	10236	208, 240, 277, 347, 600	208, 480, 600	922 / 36-5/16	24.0 / 53
AF20440	4000	13648	208, 240, 277, 347, 600	208, 480, 600	1227 / 48-5/16	29.3 / 64.5
AF20550	5000	17060	208, 240, 277, 347, 600	208, 480, 600	1532 / 60-5/16	35.0 / 77.3
AF20660	6000	20472	208, 240, 277, 347, 600	208, 480, 600	1836 / 72-5/16	41.0 / 90

Average Watt Density – 750W/ft

AF20215	1500	5118	208, 240, 347, 600	208, 600	617 / 24-1/3	17.7 / 39
AF20430	3000	10236	208, 240, 277, 347, 600	208, 480, 600	1227 / 48-5/16	29.3 / 64.5
AF20645	4500	15354	208, 240, 277, 347, 600	208, 480, 600	1836 / 72-5/16	41.0 / 90

Low Average Density – 600W/ft

AF20212	1200	4094	208, 240, 277, 347, 480, 600	208, 480, 600	617 / 24-1/3	17.7 / 39
AF20318	1800	6142	208, 240, 277, 347, 480, 600	208, 480, 600	922 / 36-5/16	24.0 / 53
AF20424	2400	8189	208, 240, 277, 347, 480, 600	208, 480, 600	1227 / 48-5/16	29.3 / 64.5
AF20530	3000	10236	208, 240, 277, 347, 480, 600	208, 480, 600	1532 / 60-5/16	35.0 / 77.3
AF20636	3600	12283	208, 240, 277, 347, 480, 600	208, 480, 600	1836 / 72-5/16	41.0 / 90

1. Specify desired voltage, finish and control option from tables
2. Endcaps are included with heaters
3. Consult factory for custom finish requirements

Voltage Selection

Code	Voltage	Phase
21	208	1
23	208	3
31	240	1
41	277	1
51	347	1
71	480	1
73	480	3
81	600	1
83	600	3



Control Options (factory installed)

Cat. No	Description
A3	Built-in SP tamperproof hydraulic thermostat for 3 phase 208 - 600V
A4	Built-in 24V low voltage relay for 1 phase 208 - 600V
A5	Built-in 24V low voltage relay and transformer for 1 phase 208 - 600V
A6	Built-in 24V contactor less transformer for 3 phase 208 - 600V
A7	Built-in 24V contactor and transformer for 3 phase 208 - 600V
A8	Built-in disconnect switch, rated 600V/50A
A9	Built-in DP tamperproof hydraulic thermostat 208 - 600V
B3	Built-in SP tamperproof thermostat and disconnect
B9	Built-in DP tamperproof thermostat and disconnect
G1	TRIAC Relay, 347V Max
G2	TRIAC Relay, 600V Max
G3	TRIAC Relay with transformer, 15A, 240-347V
G4	TRIAC Relay with transformer, 15A, 208-240V

Finish Selection

Code	Color	Finish
02	White	Painted
68	Almond	Painted
03	Black	Painted
Optional colors		
07	Bronze	Painted - Steel Anodized - Aluminum
10	Silver	Painted - Steel Anodized - Aluminum
Z1	Charcoal	Painted
Z2	Metallic Charcoal	Painted
Z3	Metallic Silver	Painted

Accessories* (field installed)

Cat. No.	Description
ALTB	Trim Bar for recess mounting

* Note: Must add length required.
 Example - ALT B 2 0 2 = 2 foot long, white finish
 Length in feet Finish Selection (Color)



Commercial

Cabinet Console Heater

Provides rapid, even fan-forced heat on demand in a variety of airflow options.

Features

- Architectural style bar grilles can be field relocated for top/bottom inlet/outlet arrangements
- Direct drive blower wheel connection
- Thermal limit switch for safety shut-off
- Time delay relay utilizes residual heat before shut-off
- Flexible mounting options

Applications

Reception Areas | Lobbies | Corridors | Entranceways | Stairways | Offices

Finish Selection

Code		Color	Finish
02		White	Painted
68		Almond	Painted
03		Black	Painted
Optional colors			
07		Bronze	Painted - Steel
			Anodized - Aluminum
10		Silver	Painted - Steel
			Anodized - Aluminum
Z1		Charcoal	Painted
Z2		Metallic Charcoal	Painted
Z3		Metallic Silver	Painted

Specifications

Voltage	- 208V, 240V, 277V, 347V, 480V, 600V - 1 and 3 phase
Wattage	- Sizes ranging from 2 to 20 kW
Airflow	- 32" unit – 250/200 CFM, 45" unit – 500/400 CFM and 65" unit – 750/600 CFM
Color	- Standard: White, Almond or Black - Optional: Bronze, Silver, Charcoal, Metallic Charcoal or Metallic Silver
Finish	- Standard: Hybrid epoxy/polyester powder coat process
Construction	- All panels are fabricated with 16 gauge steel - Cabinet grilles can be field relocated and are shipped standard as front inlet / front outlet
Heating Element	- Spiral fins provide maximum heating surface and maximum heat transfer at a safe temperature level - Overheat protection is provided by means of a linear type thermal limit switch
Control	- The heater is available with a choice of control combinations to provide flexibility of operation in various applications - All controls have a two-position rotary switch for HIGH & LOW heat and blower output. Specify one of the following controls when ordering: 3: This option is automatically controlled by its own built-in thermostat with a range of 7° to 32°C (45° to 90°F). A 3 push button ("OFF, HEAT and FAN") is also featured R: This option provides a built-in relay for use with a remote control. 240V or 208V is provided from unit itself to the control T: This option has provisions for an external 24 volt room thermostat, with 24 volt power provided internally
Fan & Motor	- All motors are resilient mounted and have built-in automatic reset thermal overload protection - Motors have plug-in electrical connection for ease of service - Motor and blowers are mounted as a single assembly with direct-drive connection on a rigid heavy-gauge frame to prevent vibration - The blow-through design assures quiet operation and provides maximum cooling for the blower motor
Warranty	- 1-year warranty on complete unit

Product Order Logic:

Order logic example →

Catalog Number		Options		
CH3D	04	A	3	W
Series	Watts	Voltage Selection	Control Options	Color Options

Ordering Guide

Cat. No.	kW	BTU	Available Voltages	CFM	Length (mm/in.)	Weight (kg/lbs.)
CH3D02	2	6840	A, B, C, D, E, F, G, H, I, J	250 / 200	812.8 / 32	50 / 110
CH3D03	3	10260	A, B, C, D, E, F, G, H, I, J	250 / 200	812.8 / 32	50 / 110
CH3D04	4	13700	A, B, C, D, E, F, G, H, I, J	250 / 200	812.8 / 32	50 / 110
CH3D05	5	17100	A, B, C, D, E, F, G, H, I, J	250 / 200	812.8 / 32	50 / 110
CH3D06	6	20500	A, B, C, D, E, F, G, H, I, J	250 / 200	812.8 / 32	50 / 110
CH4D04	4	13700	A, B, C, D, E, F, G, H, I, J	500 / 400	1143 / 45	67.4 / 145
CH4D06	6	20500	A, B, C, D, E, F, G, H, I, J	500 / 400	1143 / 45	67.4 / 145
CH4D08	8	27300	A, B, C, D, E, F, G, H, I, J	500 / 400	1143 / 45	67.4 / 145
CH4D10	10	34120	A, B, C, D, E, F, G, H, I, J	500 / 400	1143 / 45	67.4 / 145
CH4D12	12	41000	B, D, E, F, G, H, J	500 / 400	1143 / 45	67.4 / 145
CH6D15	15	51180	B, D, F, H, J	750 / 600	1651 / 65	112 / 240
CH6D18	18	61416	B, D, F, H, J	750 / 600	1651 / 65	112 / 240
CH7D20	20	68240	B, D, H, J	1000 / 800	1981 / 78	125 / 282

1. Specify desired voltage and control option at time of ordering – example: CH4D04A3
2. Standard color is Almond – To order White add "W" at end of Cat. No.
3. Consult factory for custom finish requirements
4. Must be specified with at least one control option. Multiple control options available.

Control Options (factory installed)

Cat. No.	Description
3	Built-in single pole thermostat, high/low control switch for heat/fan, on/off control switch
C	Duct transition collar for connection to ducting
R	Provision for remote wired control (not included), high/low control switch for heat/fan. Control circuits are 240V on all units except 208V which has control voltage the same as supply voltage
S	Disconnect switch for positive power interruption
T	Built-in voltage relay kit for remote 24V thermostat (not included), high/low control switch for heat/fan
X	High speed motor for ceiling mount applications

Voltage Selection

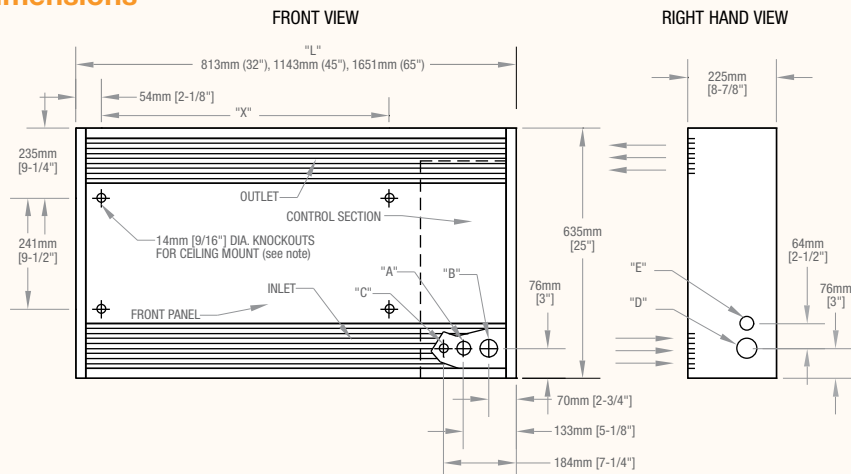
Code	Voltage	Phase
A	208	1
B	240	1
C	277	1
D	208	3
E	240	3
F	480	3
G	480	1
H	347	1
I	600	1
J	600	3

Accessories

Cat. No.	Description
PWF32	Permanent washable filter for 812mm/32" cabinets
PWF45	Permanent washable filter for 1143mm/45" cabinets
PWF65	Permanent washable filter for 1651mm/65" cabinets
TF32	Trim frame for recess mounting of 812mm/32" cabinets
TF45	Trim frame for recess mounting of 1143mm/45" cabinets
TF65	Trim frame for recess mounting of 1651mm/65" cabinets

Note: Trim frames are Almond – To order White add "W" at end of Catalog No.

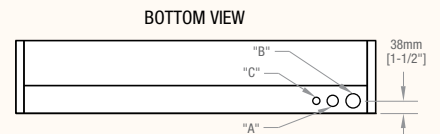
Dimensions



NOTE CEILING MOUNTING HOLES ARE SHOWN AS VIEWED FROM FRONT OF HEATER

UNIT	"X"
32"	15" (381mm)
45"	29" (737mm)
65"	49" (1245mm)

KNOCKOUT SCHEDULE		
Item	Dimension (mm/in)	Qty.
A	35/51mm (1-3/8" / 2") dia.	2
B	45mm (1-3/4") dia.	2
C	22mm (7/8") dia.	2
D	45/51mm (1-3/4" / 2") dia.	1
E	35mm (1-3/8") dia.	1





Built-in electronic thermostat
*CX models only

Available in two sizes:
 - Small chassis includes wattages up to 5kW,
 - Large chassis includes wattages from 7.5 to 10kW

Wireless Control Options



Single-zone CONNEX™ Controller (DPCRWS)



Multi-zone Programmable CONNEX™ Controller (CX-MPC)



Commercial

Ceiling-mounted Heater

For discrete commercial heating installations, the Dimplex Ceiling-mounted Heater offers a new standard in performance with proportional heating for more precise room comfort, energy efficiency and reduced noise. The wireless CONNEX™ control capability makes the product easier to install and operate.

Features

- 3/4/5 kW and 7/10 kW multi-watt (1/3 phase) on select models – always have the right wattage for every installation
- Designed to deliver optimal airflow and reduce fan noise – ideal for commercial and residential applications
- Tubular steel elements with brazed spiral fins – durable and efficient with a 10 year element warranty
- Recessed installation kit also available for wattages up to 5kW

CX Models:

- Includes built-in electronic thermostat
- Compatible with CONNEX™ wireless controls
- Features two-stage proportional heat output – lowers energy usage, reduces noise, and increases room comfort
- Built-in fan only option
- Control lockout for tamperproof operation

Applications

Residential Garage Installations | Commercial | Retail Installations

Specifications

Voltage	- 208V, 240V, 277V, 347V, 480V, 600V - 1 and 3 phase
Wattage	- Sizes ranging from 2kW to 10kW
Color	- White
Finish	- Polyester/epoxy powder coating resists fading and abrasion
Construction	- Extruded aluminum and 16-gauge steel construction - Mesh grill fresh air side inlet; louvered, warm air bottom outlet - Disk high-limit temperature control with automatic reset
Heating Element	- Fully enclosed, steel sheathed, nickel chromium element - Spiral wound, brazed element fins
Control	- Thermostat control is required to operate this unit - CX models include built-in electronic thermostat
Installation	- Installation bracket allows for easy, hinged installation of chassis then cover - Knock-outs on both sides of the unit, pre-stamped mounting holes for threaded rod applications - Large rear-entry junction box
Warranty	- 10-year element warranty - 1-year warranty on complete unit

Ordering Guide

Cat. No.	Watts (kW)	Volts	Phase	BTU
Small Ceiling Heater (CX models with CONNEX™)				
CMH02A31CX	2	240	1	6824
CMH35A34CX	3 / 4 / 5	240	1 / 3	10236 / 13648 / 17060
CMH35A51CX	3 / 4 / 5	347	1 / 3	10236 / 13648 / 17060
CMH35A84CX	3 / 4 / 5	600	1 / 3	10236 / 13648 / 17060
CMH35A34	3 / 4 / 5	240	1 / 3	10236 / 13648 / 17060
CMH35A51	3 / 4 / 5	347	1 / 3	10236 / 13648 / 17060
CMH35A84	3 / 4 / 5	600	1 / 3	10236 / 13648 / 17060

Large Ceiling Heater (CX models with CONNEX™)

CMH810A21CX	7.5 / 10	208	1	25591 / 34121
CMH08A23CX	7.5	208	3	25591
CMH10A23CX	10	208	3	34121
CMH810A31CX	7.5 / 10	240	1	25591 / 34121
CMH810A41CX	7.5 / 10	277	1	25591 / 34121
CMH810A51CX	7.5 / 10	347	1	25591 / 34121
CMH810A71CX	7.5 / 10	480	1	25591 / 34121
CMH08A73CX	7.5	480	3	25591
CMH10A73CX	10	480	3	34121
CMH810A81CX	7.5 / 10	600	1	25591 / 34121
CMH08A83CX	7.5	600	3	25591
CMH10A83CX	10	600	3	34121
CMH810A21	7.5 / 10	208	1	25591 / 34121
CMH10A23	10	208	3	34121
CMH810A31	7.5 / 10	240	1	25591 / 34121
CMH810A41	7.5 / 10	277	1	25591 / 34121
CMH810A51	7.5 / 10	347	1	25591 / 34121
CMH810A71	7.5 / 10	480	1	25591 / 34121
CMH08A73	7.5	480	3	25591
CMH10A73	10	480	3	34121
CMH810A8	7.5 / 10	600	1	25591 / 34121
CMH08A83	7.5	600	3	25591
CMH10A83	10	600	3	34121

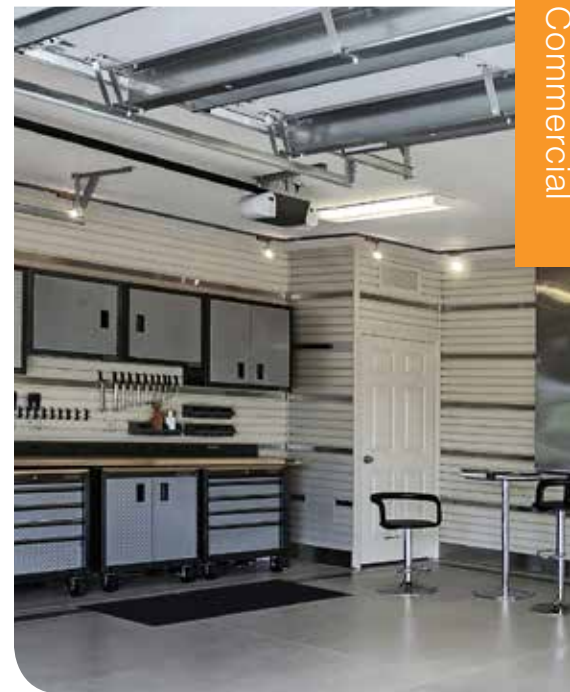
Accessories

Cat. No.	Description
CMH-RKIT	Recessed Installation Kit

Note: Designed to be installed into a suspended ceiling, not into a closed ceiling.

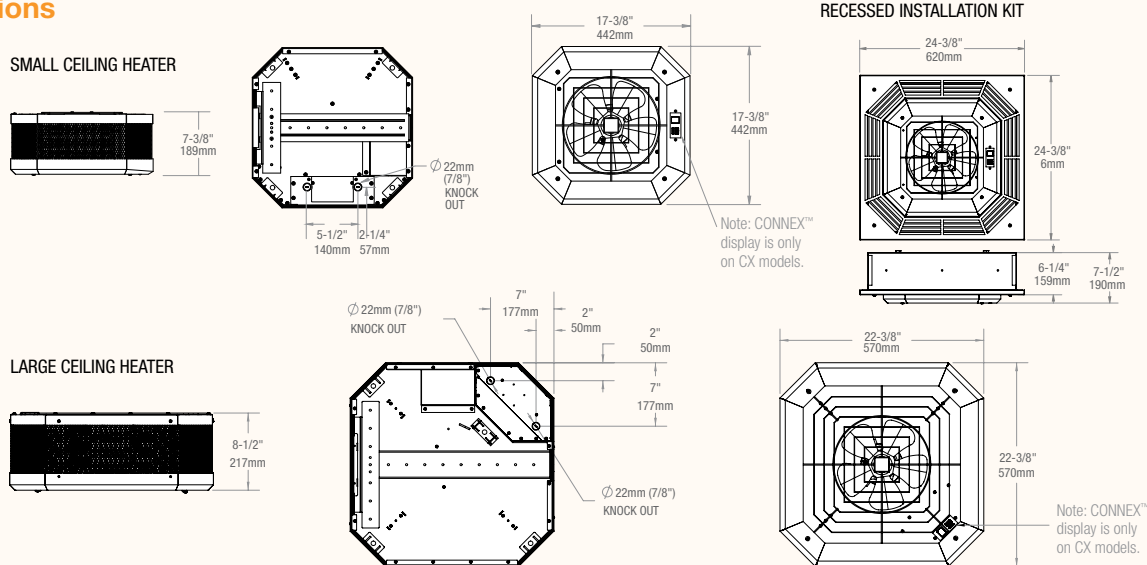
Wireless Control Options

Cat. No.	Description
DPCRWS	Single-zone CONNEX™ Controller
CX-MPC	Multi-zone Programmable CONNEX™ Controller



Commercial

Dimensions





RFF Series
Available in Canada only



RFI Series



RFV Series
Available in Canada only



RFI/F T-bar
Ceiling Mount
Trim (white only)

Commercial Fan-forced Heater

Solutions for maintaining comfort in areas subject to cold drafts, such as vestibules, stairwells, etc.

Features

- Quick response, high output fan-forced heater
- Automatic fan delay utilizes residual heat when unit cycles off
- All models offer recessed or surface mounting, ceiling or wall
- 60 cycle rating
- Exclusive aesthetically pleasing front panel trim
- Includes built-in double pole thermostat
- Access door can be locked for tamperproof applications

Applications

Vestibules | Entranceways | Stairwells | Kiosks

Specifications

Voltage	- 208V, 240V, 277V, 347V, 600V
Wattage	- Sizes ranging from 1125W to 8000W
Color	- Almond or White
Finish	- Polyester/epoxy powder coating resists fading and abrasion
Construction	- The front panel is constructed of 20 gauge steel - The recess box is designed for recessing into either frame or masonry walls or ceilings and contains knockouts for wiring connections
Heating Element	- The RFI/RFV/RFF wall heater has a nickel chromium resistance wire heating element within a steel sheath - Spiral steel fins are firmly brazed to the surface to provide excellent heat transfer
Motor & Fan	- The fan motor is totally enclosed and factory lubricated complete with a black anodized 5 blade mixed flow aluminum fan - The fan delay is a bi-metallic snap action type
Controls & Installation	- 208V, 240V and 277V units have a standard double pole built-in thermostat with provision for a remote wall stat if required - 347V and 600V units have a built-in thermostat - Use low voltage relay kits and suitable wall mount thermostat for remote temperature control
Warranty	- 1-year warranty on complete unit



Ordering Guide

Cat. No.	Watts	BTU	Volts	Phase	CFM	Weight (kg/lbs.)
RFI						
RFI815D31	1500 / 1125	5118 / 3840	240 / 208	1	160	12.7 / 28
RFI820D31	2000 / 1500	6824 / 5118	240 / 208	1	160	12.7 / 28
RFI820D41	2000	6824	277	1	160	12.7 / 28
RFI830D31	3000 / 2250	10236 / 7680	240 / 208	1	160	12.7 / 28
RFI830D41	3000	10236	277	1	160	12.7 / 28
RFI840D21	4000	13648	208	1	160	12.7 / 28
RFI840D31	4000 / 3000	13648 / 10236	240 / 208	1	160	12.7 / 28
RFI840D41	4000	13648	277	1	160	12.7 / 28
RFI848D31	4800 / 3600	16378 / 12283	240 / 208	1	160	12.7 / 28

Note: 1) Standard color is Almond.
 2) To order White add "W" to Cat. No. (Example RFI815D31W)

RFV / RFF

RFV831551	3000 / 1500	10236 / 5118	347	1	160	16.0 / 34
RFV831581	3000 / 1500	10236 / 5118	600	1	160	16.0 / 34
RFV842051	4000 / 2000	13684 / 6824	347	1	160	16.0 / 34
RFV842081	4000 / 2000	13684 / 6824	600	1	160	16.0 / 34
RFF86021	6000	20472	208	1	320	30 / 65
RFF86031	6000	20472	240	1	320	30 / 65
RFF86051	6000	20472	347	1	320	36 / 80
RFF86081	6000	20472	600	1	320	36 / 80
RFF88021	8000	27296	208	1	320	30 / 65
RFF88031	8000	27296	240	1	320	30 / 65
RFF88051	8000	27296	347	1	320	36 / 80
RFF88081	8000	27296	600	1	320	36 / 80

Note: 1) To order White add "W-KIT" to Cat. No. (Example RFV831551-W-KIT)
 2) RFV / RFF models – available in Canada only

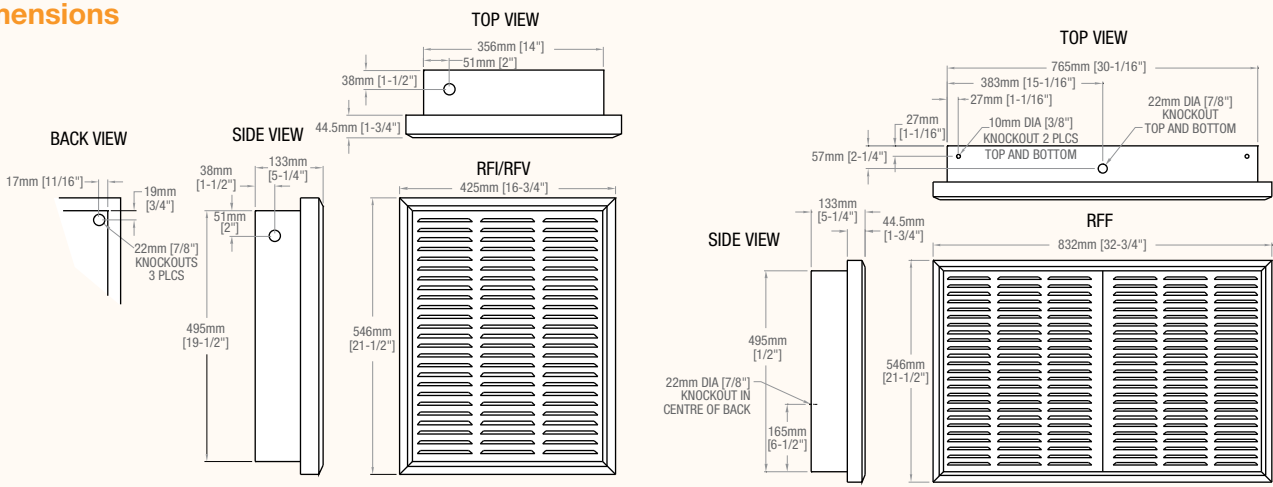
Accessories (field installed)

Cat. No.	Description
RFAD	Disconnect switch rated for 277V
RFFP8CA	Surface mount box for RFF series (almond) 32.8" x 21.5" x 3.8" (832mm x 546mm x 97mm)
RFFP8CW	Surface mount box for RFF series (white) 32.8" x 21.5" x 3.8" (832mm x 546mm x 97mm)
RFIBGA	Tamperproof bar grille (almond)
RFIBGW	Tamperproof bar grille (white)
RFIFPA	RFI Front panel kit (almond)
RFIFPW	RFI Front panel kit (white)
RFITF	T-Bar ceiling frame for RFI/RFV series (white only)
RFP8DA	Surface mount box for RFI/RFV series (almond) 16.8" x 21.5" x 3.8" (425mm x 546mm x 97mm)
RFP8DW	Surface mount box for RFI/RFV series (white) 16.8" x 21.5" x 3.8" (425mm x 546mm x 97mm)

Control Accessories Kits (field installed)

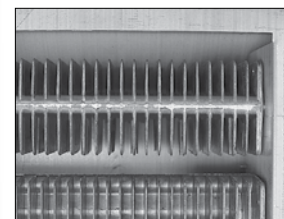
Cat. No.	Description
RFFLVC21	208V low volt relay w/24V transformer kit for RFF
RFFLVC31	240V low volt relay w/24V transformer kit for RFF
RFFLVC51	347V low volt relay w/24V transformer kit for RFF
RFFLVC81	600V low volt relay w/24V transformer kit for RFF
RFFLVD	208-600V low volt relay kit only for RFF series
RFLVC21	208V 22A low volt relay w/24V transformer kit for RFI
RFLVC31	240V 22A low volt relay w/24V transformer kit for RFI
RFLVC41	240V low volt relay and transformer kit for RFI
RFLVD	208-240V low volt relay kit only for RFI series
RFVLC51	347V low volt relay w/24V transformer kit for RFV series

Dimensions



Commercial Fan-forced Heater

Engineered for outstanding performance and dependable service.



Exclusive cast aluminum heating element design

Features

- Built-in DPST thermostat with on/off rocker switches for easier control
- Terminal block provided for connection to optional remote line voltage thermostat
- Fan size and pitch are matched to the motor for smooth, quiet operation
- Exclusive rust free cast aluminum heating grid provides superior performance and stores energy longer by acting as a heat bank
- Operates at a lower temperature than any other heating element on the market

Applications

Offices | Reception Rooms | Entranceways | Stairways

Specifications

Voltage	- 120V, 208V, 240V, 277V
Wattage	- Sizes ranging from 1000W to 4000W
Airflow	- 50 CFM – 1000, 1500, 2000W - 100 CFM – 3000, 4000W
Color	- Almond
Finish	- Polyester/epoxy powder coating resists fading and abrasion
Construction	- Units are fan type and utilize the “Down Flow” principle of heated air delivery - Designed for recessed mounting within standard 16" stud centers and wall thickness - Rugged 20 gauge steel construction
Heating Grid	- The cast aluminum heating grid contains a nickel chromium resistance wire which is insulated in magnesium oxide and sheathed in a protective tubular stainless steel sheath - The entire tube is completely cast into an aluminum molded form, deeply embedded and completely safe - The finned design increases the heat radiating surface of the element, giving wider distribution of heat at a safer, lower temperature than the heating element of any other wall heater
Controls	- A precision snap action hydraulic thermostat is included for positive temperature control when the rocker switch is in the ON position - The hydraulic capillary sensing element is located in the room inlet air stream to provide accurate temperature - The thermostat ranges from 4°C/40°F (low) to 38°C/100°F (high)
Warranty	- 1-year warranty on complete unit

Commercial



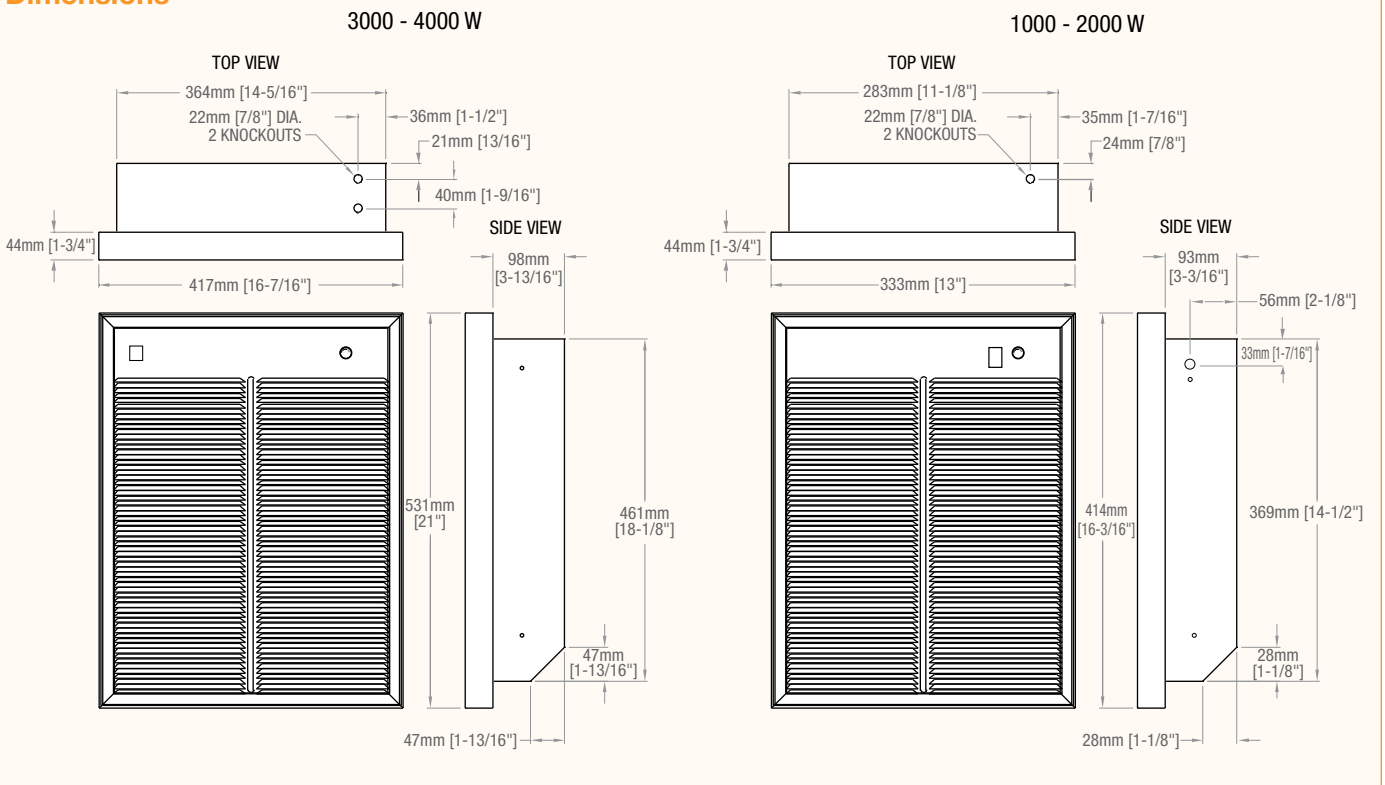
Ordering Guide

Cat. No.	Watts	BTU	Volts	Phase	CFM	Weight (kg/lbs.)
EWA10C11	1000	3412	120	1	50	8.2 / 18
EWA10C21	1000	3412	208	1	50	8.2 / 18
EWA10C31	1000	3412	240	1	50	8.2 / 18
EWA10C41	1000	3412	277	1	50	8.2 / 18
EWA15C11	1500	5118	120	1	50	8.2 / 18
EWA15C21	1500	5118	208	1	50	8.2 / 18
EWA15C31	1500	5118	240	1	50	8.2 / 18
EWA15C41	1500	5118	277	1	50	8.2 / 18
EWA20C21	2000	6824	208	1	50	8.2 / 18
EWA20C31	2000	6824	240	1	50	8.2 / 18
EWA20C41	2000	6824	277	1	50	8.2 / 18
EWA30C21	3000	10236	208	1	100	13.6 / 30
EWA30C31	3000	10236	240	1	100	13.6 / 30
EWA30C41	3000	10236	277	1	100	13.6 / 30
EWA40C21	4000	13648	208	1	100	13.6 / 30
EWA40C31	4000	13648	240	1	100	13.6 / 30
EWA40C41	4000	13648	277	1	100	13.6 / 30

Accessories (field installed)

Cat. No.	Description
8754	Surface mounting box for 1000, 1500 & 2000W units 13.25" x 16.5" x 4.1" (337mm x 418mm x 103mm)
8753	Surface mounting box for 3000 & 4000W units 16.5" x 21.25" x 4.1" (418mm x 540mm x 103mm)
TGKSB	Tamperproof grille kit for 1000, 1500 & 2000W units
TGKLB	Tamperproof grille kit for 3000 & 4000W units

Dimensions





Commercial Hand Dryer

Cast iron construction for compact, modern design with unsurpassed drying speed and long lasting durability. Environmentally friendly, using less than 1/6 of the energy of conventional hand dryers.



Commercial

Features

- Automatic infrared actuated sensor, for power conservation and maximum hygiene
- Robust, tamperproof design and construction for greater product durability and longevity in application
- High velocity (275 CFM) airflow for ultra high speed hand drying
- Automatic voltage switching for ease of installation
- Contributes to LEED and BOMA building certification
- Designed for easy installation

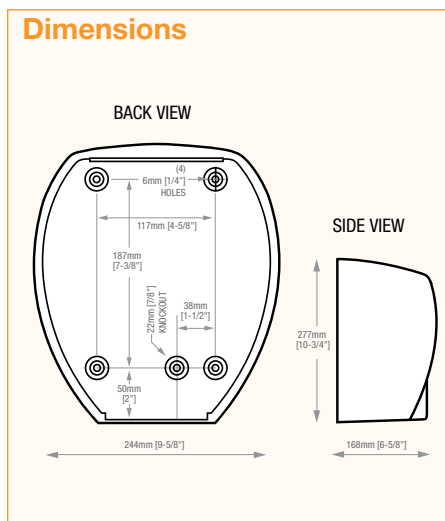
Applications

Washrooms | Clean Up Areas | Commercial Facilities | Factories | Restaurants | Hospitals

Specifications

Voltage	- Universal 115-230*VAC (*50/60Hz)
Wattage	- 1450W at 6.3A (230VAC)
Color	- White Steel, White, Black, Brushed Stainless Steel and Polished Stainless Steel
Finish	- Porcelain enamel
Heating Element	- 725W resistance coil
Construction Material	- Cast iron
Controls & Wiring	- Automatic resetting thermostat with cutout when airflow is restricted - Infrared sensor cutout two seconds after hand removal, and 60 seconds after initiating drying
Installation	- Removable predrilled baseplate for easy mounting
Warranty	- 10-years parts and labor

Dimensions



Ordering Guide

Cat. No.	Color	Watts	Volts Hz	Air Velocity LFM	Air Volume CFM	Noise dB	Dimensions (W x H x D) (mm/in.)	Weight (kg/lbs.)
DC2000WS	White Steel	1450	115-230, 50-60	19,000	275	78	244 x 277 x 168 (9.625 x 10.75 x 6.625)	11 / 24
DC20001WH	White	1450	115-230, 50-60	19,000	275	78	244 x 277 x 168 (9.625 x 10.75 x 6.625)	11 / 24
DC20002BK	Black	1450	115-230, 50-60	19,000	275	78	244 x 277 x 168 (9.625 x 10.75 x 6.625)	11 / 24
DC20022BSS	Brushed Stainless Steel	1450	115-230, 50-60	19,000	275	78	244 x 277 x 168 (9.625 x 10.75 x 6.625)	11 / 24
DC20023PSS	Brushed Stainless Steel	1450	115-230, 50-60	19,000	275	78	244 x 277 x 168 (9.625 x 10.75 x 6.625)	11 / 24



Commercial Hand Dryer

Top quality construction combines elegance with high performance. Ultra-quiet, quick drying and low cost of ownership.



Features

- Automatic infrared actuated sensor, for power conservation and maximum hygiene
- Robust, tamperproof design and construction for greater product durability and longevity in application
- Quietest hand dryer in the industry at 55dB
- High velocity (150 CFM) airflow for faster hand drying
- Modular design for easy repair
- Automatic voltage switching for ease of installation
- Contributes to LEED and BOMA building certification
- Designed for easy installation

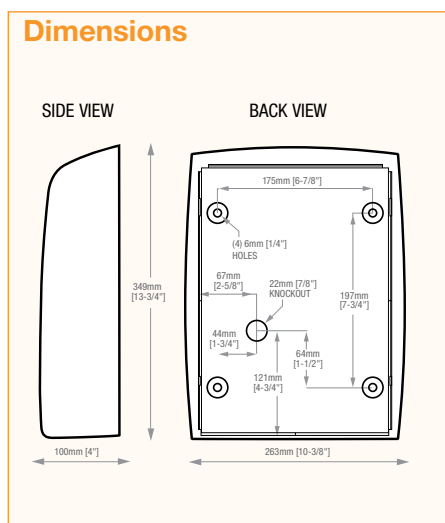
Applications

Washrooms | Clean Up Areas | Commercial Facilities | Factories | Restaurants | Hospitals

Specifications

Voltage	- Universal 115-230*VAC (*50/60Hz)
Wattage	- 1450W at 6.3A (230VAC)
Color	- White, Black and Stainless
Finish	- Chrome, scratch-resistant porcelain, brushed stainless steel
Heating Element	- 1380W resistance coil
Construction Material	- Cast zinc and steel
Controls & Wiring	- Automatic resetting thermostat with cutout when airflow is restricted - Infrared sensor cutout two seconds after hand removal, and 60 seconds after initiating drying
Installation	- Removable predrilled baseplate for easy mounting
Warranty	- 10-years parts and labor

Dimensions



Ordering Guide

Cat. No.	Color	Watts	Volts Hz	Air Volume CFM	Noise dB	Dimensions (W x H x D) (mm/in.)	Weight (kg/lbs.)
D20001WH	White	1450	115-230, 50-60	150	55	263 x 349 x 100 (10.375 x 13.75 x 4)	9 / 20
D20002BK	Black	1450	115-230, 50-60	150	55	263 x 349 x 100 (10.375 x 13.75 x 4)	9 / 20
D20003SS	Stainless	1450	115-230, 50-60	150	55	263 x 349 x 100 (10.375 x 13.75 x 4)	9 / 20



INDUSTRIAL

Dimplex Commercial industrial heaters are designed for maximum safety, durability and performance; built to the highest quality standards for the toughest working conditions. No matter what the need or application, Dimplex Commercial has the right industrial solutions.



Industrial Unit Heater
EU Series

Pg | 57



Radiant Heater
CRT Series

Pg | 70





Specifications

Voltage	- 120V, 208V, 240V, 277V, 347V, 480V, 600V - 1/3 phase
Wattage	- Three cabinet sizes available: EUH: 3-12kW, EUL: 15-30kW, EUS: 40-50kW
Color	- Almond
Finish	- Polyester/epoxy powder coating resists fading and abrasion
Construction	- Constructed of 18 gauge die formed steel - Units have individual adjustable 20 gauge convex profile air directing louvers - Louvers are friction fastened to a single piece 20 gauge frame to prevent movement, once adjusted to the desired position
Heating Element	- Includes metal tubular sheath fused with spiral steel fins - Contains a high quality nickel chromium wire, encased in solidly packed magnesium oxide insulation
Motor & Fan	- Fan size and pitch is matched to the power and speed of the unit to optimize CFM, airflow, temperature rise, and quietness - Motor is heavy duty, continuous operation, totally enclosed, thermally protected with permanently lubricated ball bearings
Controls	- Jumper provided to disable built-in thermostats when remote thermostats are required - Summer fan control and low voltage control options are field installed
Warranty	- 1-year warranty on complete unit

Industrial Unit Heater

Extensive selection of models ranging from 3 to 50kW – each with spiral finned elements and sealed ball-bearing motors for long service life.

Features

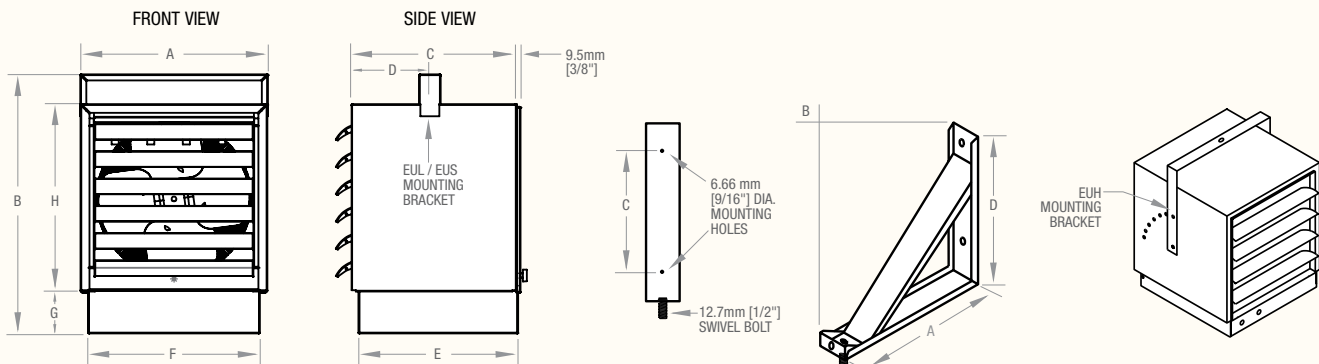
- Built-in adjustable thermostat on models up to and including 12kW; field installed thermostat kit available for 15-50 kW unit heaters
- Ceiling hanger bracket included, optional wall bracket available (allows swivel movement)
- Five-way adjustable louvers to direct airflow
- EU models up to and including 12kW are UL and CSA approved for vertical and horizontal mounting

Applications

Shipping / Receiving Areas | Warehouse Storage Areas | Garages

Industrial

Dimensions



Model	A	B	C	D	E	F	G	H
EUH	330mm 13"	495mm 19-1/2"	330mm 13"	165mm 6-1/2"	318mm 12-1/2"	299mm 11-3/4"	64mm 2-1/2"	330mm 13"
EUL	502mm 19-3/4"	699mm 27-1/2"	419mm 16-1/2"	257mm 10-1/8"	410mm 16-1/8"	462mm 18-1/4"	118mm 4-5/8"	500mm 19-3/4"
EUS	578mm 22-3/4"	745mm 29-1/16"	645mm 25-3/8"	391mm 15-3/8"	633mm 25"	499mm 19-3/4"	130mm 5-1/8"	533mm 21"

Hanger Bracket				
Model	A	B	C	D
EUH	318mm 12-1/2"	356mm 14"	203mm 8"	279mm 11"
EUL	514mm 20-1/2"	533mm 21"	533mm 21"	654mm 25-3/4"
EUS	635mm 25"	654mm 25-3/4"	443mm 17-1/2"	533mm 21"

Ordering Guide

Cat. No.	kW	BTU	Volts	Phase	CFM	Weight (kg/lbs.)
EUH						
EUH02B21T	2	6824	208	1	350	16 / 36
EUH02B24CT	2	6824	208	1/3	350	16 / 36
EUH02B31T	2	6824	240	1	350	16 / 36
EUH02B51CT	2	6824	347	1	350	16 / 36
EUH02B71CT	2	6824	480	1	350	16 / 36
EUH02B74CT	2	6824	480	1/3	350	18 / 40
EUH02B81CT	2	6824	600	1	350	18 / 40
EUH02B84CT	2	6824	600	1/3	350	18 / 40
EUH03B11T	3	10236	120	1	350	16.0 / 36
EUH03B21T	3	10236	208	1	350	16.0 / 36
EUH03B24CT	3	10236	208	1/3	350	16.0 / 36
EUH03B31T	3 / 2.3	10236 / 7677	240 / 208	1	350	16.0 / 36
EUH03B34CT	3 / 2.3	10236 / 7677	240 / 208	1/3	350	16.0 / 36
EUH03B41CT	3	10236	277	1	350	18.0 / 40
EUH03B51CT	3	10236	347	1	350	18.0 / 40
EUH03B73CT	3	10236	480	3	350	18.0 / 40
EUH03B81CT	3	10236	600	1	350	18.0 / 40
EUH03B83CT	3	10236	600	3	350	18.0 / 40
EUH04B21T	4	13648	208	1	350	16/36
EUH04B24CT	4	13648	208	1/3	350	16/36
EUH04B31T	4	13648	240	1	350	16/36
EUH04B51CT	4	13648	347	1	350	16/36
EUH04B71CT	4	13648	480	1	350	18/40
EUH04B74CT	4	13648	480	1/3	350	18/40
EUH04B81CT	4	13648	600	1	350	18/40
EUH04B83CT	4	13648	600	3	350	18/40
EUH05B21T	5	17060	208	1	350	16.0 / 36
EUH05B24CT	5	17060	208	1/3	350	16.0 / 36
EUH05B31T	5 / 3.8	17060 / 12795	240 / 208	1	350	16.0 / 36
EUH05B34CT	5 / 3.8	17060 / 12795	240 / 208	1/3	350	16.0 / 36
EUH05B41T	5	17060	277	1	350	18.0 / 40
EUH05B51CT	5	17060	347	1	350	18.0 / 40
EUH05B74CT	5	17060	480	1/3	350	18.0 / 40
EUH05B84CT	5	17060	600	1/3	350	18.0 / 40
EUH08B24CT	7.5	25590	208	1/3	600	21.0 / 46
EUH08B34CT	7.5 / 5.6	25590 / 19193	240 / 208	1/3	600	21.0 / 46
EUH08B74CT	7.5	25590	480	1/3	600	22.0 / 50
EUH08B84CT	7.5	25590	600	1/3	600	22.0 / 50
EUH10B24CT	10	34120	208	1/3	600	21.0 / 46
EUH10B34CT	10 / 7.5	34120 / 25590	240 / 208	1/3	600	21.0 / 46
EUH10B74CT	10	34120	480	1/3	600	22.0 / 50
EUH10B84CT	10	34120	600	1/3	600	22.0 / 50
EUH12B74CT	12	40944	480	1/3	600	22.0 / 50
EUH12B84CT	12	40944	600	1/3	600	22.0 / 50

Cat. No.	kW	BTU	Volts	Phase	CFM	Weight (kg/lbs.)
EUL						
EUL15B23C	15	51180	208	3	990	45.0 / 100
EUL15B33C	15	51180	240	3	1200	48.6 / 108
EUL15B51C	15	51180	347	1	1200	48.6 / 108
EUL15B71C	15	51180	480	1	1200	48.6 / 108
EUL15B73C	15	51180	480	3	1200	48.6 / 108
EUL15B81C	15	51180	600	1	1200	48.6 / 108
EUL15B83C	15	51180	600	3	1200	48.6 / 108
EUL20B21C	20	68240	208	1	990	45.0 / 100
EUL20B31C	20	68240	240	1	1200	48.6 / 108
EUL20B23C	20	68240	208	3	990	45.0 / 100
EUL20B33C	20	68240	240	3	1200	48.6 / 108
EUL20B51C	20	68240	347	1	1200	48.6 / 108
EUL20B71C	20	68240	480	1	1200	48.6 / 108
EUL20B73C	20	68240	480	3	1200	48.6 / 108
EUL20B83C	20	68240	600	3	1200	48.6 / 108
EUL25B73C	25	85300	480	3	1200	48.6 / 108
EUL30B23C	30	102360	208	3	1600	58.1 / 129
EUL25B83C	25	85300	600	3	1200	48.6 / 108
EUL30B73C	30	102360	480	3	1600	58.1 / 129
EUL30B83C	30	102360	600	3	1600	58.1 / 129

EUS						
EUS40B73C	40	136480	480	3	1950	72.0 / 160
EUS40B83C	40	136480	600	3	1950	72.0 / 160
EUS50B73C	50	170600	480	3	1950	72.0 / 160
EUS50B83C	50	170600	600	3	1950	72.0 / 160

Note: T = Built-in thermostat, C = Built-in contactor,
 CT = Built-in thermostat and contactor.
 Units rated 20kW and higher are suitable for 2 stage operation

Built-in single pole thermostat controls are standard up to and including 12kW models. Units showing 1/3 phase are field convertible to desired phase. 208V units have 208V control voltage, 240V control on all others, except for EUS units which have 120V control. Transformers are provided where necessary.

Control Options (field installed)

Cat. No.	Description
EUAF2	Summer fan switch
EUAR11	24V low voltage relay/transformer kit for 120V unit heaters
EUAR21	24V low voltage relay/transformer kit for 208V unit heaters
EUAR31	24V low voltage relay/transformer kit for 240V unit heaters
EUAR41	24V low voltage relay/transformer kit for 277V unit heaters
EUARCR	24V low voltage relay less transformer, suitable for all units
EUAT	Single pole thermostat kit for 15-50kW unit heaters

Accessories (field installed)

Cat. No.	Description
EUD20J3	Power disconnect 3 phase, 20A / 600V
EUD30Y2	Power disconnect 2 phase, 30A / 277V
EUD30J3	Power disconnect 3 phase, 30A / 600V
EUD55J3	Power disconnect 3 phase, 55A / 600V
EUHWB	Wall hanger bracket for EUH series (3-12kW)
EULSWB	Wall hanger bracket for EUL/EUS series (15-50kW)



Vertical Unit Heater

Directs large volumes of warm air downward, which makes this product the ideal choice for high bay heating applications. Also suitable for entryway air curtain heating in areas subject to high heat loss.



Available in Canada only

Features

- Specially formed concentric finned elements yield maximum heat transfer
- Fan only operation circulates ceiling level heat
- Choice of diffusers for various airflow options

Applications

High Bay Buildings | Shipping Areas |
Warehouses | Garages

Specifications

Voltage	- 208V, 240V, 347V, 600V
Wattage	- Sizes ranging from 5 to 50kW
Color	- Almond
Finish	- Polyester/epoxy powder coating resists fading and abrasion
Fan & Motor	- The motor is a heavy duty permanently lubricated ball bearing type mounted on resilient base to absorb vibration - The fan is a propeller type, accurately balanced and correctly pitched for each individual unit
Controls	- 240V contactor with transformer (if required) included
Heating Element	- The heating element has a totally enclosed nickel chromium resistance element within steel sheathing, brazed with spiral steel fins for maximum heat transfer
Warranty	- 1-year warranty on complete unit

Industrial



Ordering Guide

Cat. No.	kW	BTU	Volts	Phase	CFM	Weight (kg/lbs.)
VUB105E23	5	17060	208	3	940	29.5 / 65
VUB105E31	5	17060	240	1	940	29.5 / 65
VUB105E51	5	17060	347	1	940	29.5 / 65
VUB105E83	5	17060	600	3	940	29.5 / 65
VUB108E23	7.5	25590	208	3	940	29.5 / 65
VUB108E31	7.5	25590	240	1	940	29.5 / 65
VUB108E51	7.5	25590	347	1	940	29.5 / 65
VUB108E83	7.5	25590	600	3	940	29.5 / 65
VUB110E23	10	34120	208	3	940	29.5 / 65
VUB110E31	10	34120	240	1	940	29.5 / 65
VUB110E51	10	34120	347	1	940	29.5 / 65
VUB110E83	10	34120	600	3	940	29.5 / 65
VUB115E23	15	51180	208	3	960	29.5 / 65
VUB115E83	15	51180	600	3	960	29.5 / 65
VUB120E83	20	68240	600	3	960	29.5 / 65
VUB125E83	25	85300	600	3	960	29.5 / 65
VUB230E83	30	102300	600	3	1730	38.6 / 85
VUB240E83	40	136500	600	3	1730	38.6 / 85
VUB250E83	50	170600	600	3	1730	38.6 / 85

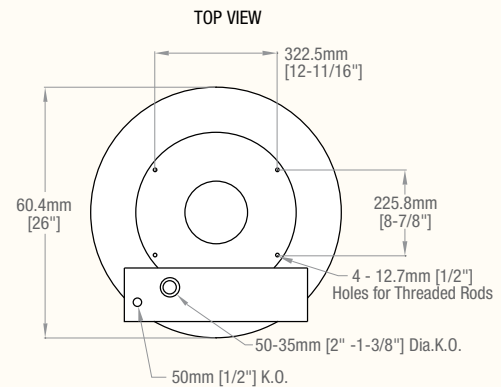
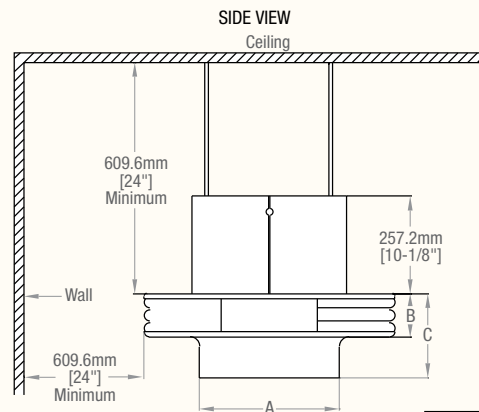
Control Options (field installed)

Cat. No.	Description
TS521W	Single pole remote mount wall thermostat
VUBLVC31	24V low voltage relay / transformer kit

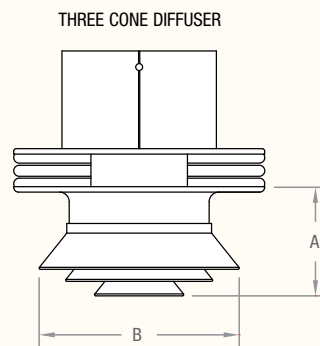
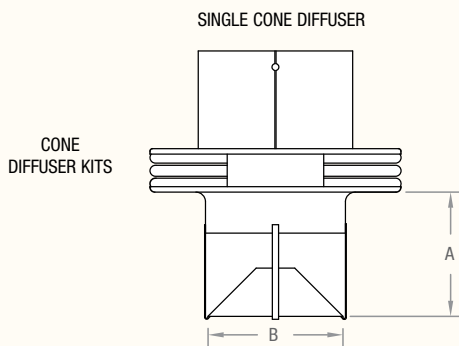
Accessories (field installed)

Cat. No.	Description
VUBCD1E	Single cone diffuser for 5-25kW units
VUBH31E	Three cone diffuser for 5-25kW units
VUBCD2E	Single cone diffuser for 30-50kW units
VUBH32E	Three cone diffuser for 30-50kW units

Dimensions



Series	kW	Dimensions		
		A	B	C
VUB-1E	5-25	368mm (14.5")	114mm (4.5")	222mm (8.75")
VUB-2E	30-50	470mm (18.5")	210mm (8.25")	318mm (12.5")



Cone Diffuser Dimensions		
Series	A	B
VUBCD1E	327mm (12.875")	355mm (14")
VUBCD2E	327mm (12.875")	457mm (18")
VUBH31E	190mm (7.5")	536mm (21.125")
VUBH32E	219mm (8.625")	644mm (25.375")

Compact Unit Heater

Loaded with features, this powerful unit heats quickly and offers great value.



Features

- Powerful heat output up to 5000W (240V)
- Safe, durable stainless steel sheathed element
- Adjustable louvers direct warm air where needed
- Built-in single-pole bulb thermostat for accurate temperature control
- Fan delay utilizes residual heat
- Ceiling and wall-mount swivel bracket included

Applications

Shipping / Receiving Areas | Warehouse Storage Areas | Garages

Specifications

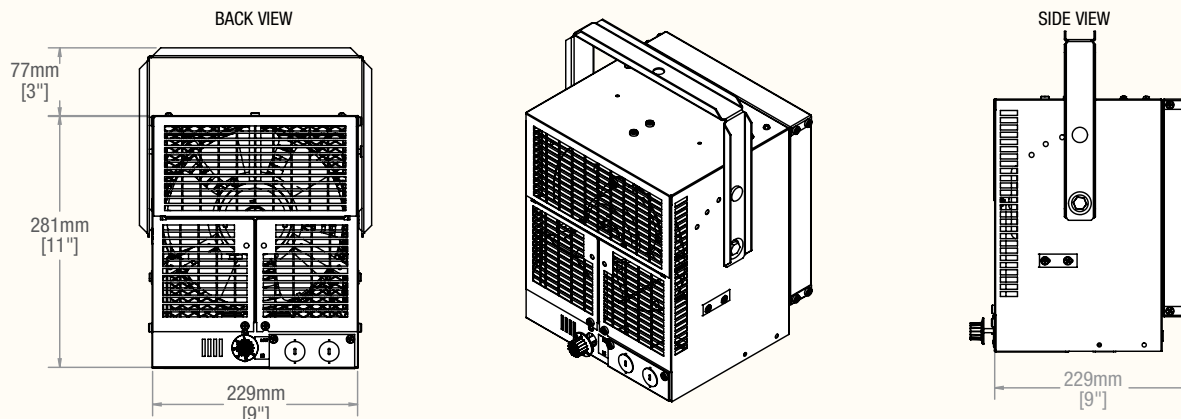
Voltage	- 240 / 208V
Wattage	- 2000-5000 W
Color	- Almond
Finish	- Polyester/epoxy powder coating resists fading and abrasion
Construction	- Heavy duty steel cabinet - Must be hardwired for operation
Warranty	- 1-year warranty on complete unit



Ordering Guide

Cat. No.	kW	BTU	Volts	Dimensions (W x H x D)	Weight (kg/lbs.)
CUH02B31T	2 / 1.5	6824 / 5118	240 / 208	279mm x 229mm x 229mm (11" x 9" x 9")	4.5 / 10
CUH03B31T	3 / 2.25	10236 / 7677	240 / 208	279mm x 229mm x 229mm (11" x 9" x 9")	4.5 / 10
CUH04B31T	4 / 3	13648 / 10236	240 / 208	279mm x 229mm x 229mm (11" x 9" x 9")	4.5 / 10
CUH05B31T	5 / 3.75	17060 / 12795	240 / 208	279mm x 229mm x 229mm (11" x 9" x 9")	4.5 / 10

Dimensions





Pump House Heater

This natural convection heater provides efficient freeze protection in specialty applications.



Features

- Cast aluminum grid element for lower surface temperatures
- Steel corrosion resistant housing
- Built-in adjustable thermostat control to prevent pump house freeze-up

Applications

Boiler Rooms | Garage | Grease Pits | Residential / Farm Pump House Systems | Equipment Buildings

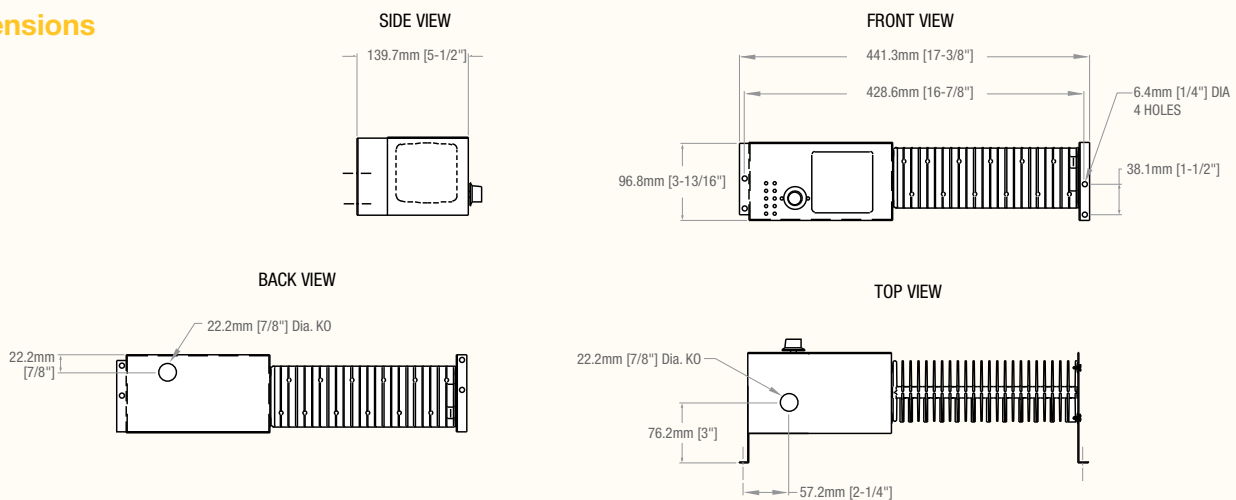
Specifications

Voltage	- 120V, 240 / 208V
Wattage	- 500 / 375 W
Color	- Almond
Finish	- Polyester/epoxy powder coating resists fading and abrasion
Construction	- The heater wiring and control enclosure are of heavy gauge, corrosion treated formed steel
Heating Element	- Exclusive cast aluminum heating grid in which the resistance wire is completely cast into the aluminum molded form, deeply embedded and fully enclosed - Design achieves a wider distribution of heat at a safer lower surface temperature
Control	- Built-in adjustable bi-metallic thermostat (7° to 25°C / 45° to 77°F)
Warranty	- 1-year warranty on complete unit

Ordering Guide

Cat. No.	Watts	BTU	Volts	Weight (kg/lbs.)
7150B11	500	1706	120	2.3 / 5
7150B31	500 / 375	1706 / 1279	240 / 208	2.3 / 5

Dimensions





Hose Down Heater

The perfect solution for heating people and equipment in moist and corrosive, non-hazardous environments.

Features

- All the necessary safety and temperature controls are built-in to a single package
- Components and motor are factory-wired to a single terminal block for field wiring; reducing installation time and errors
- Heater, fan motor and controls are all connected at the same branch circuit
- Stainless steel construction, epoxy-coated aluminum fan blade, and nonmetallic NEMA 4X terminal enclosure

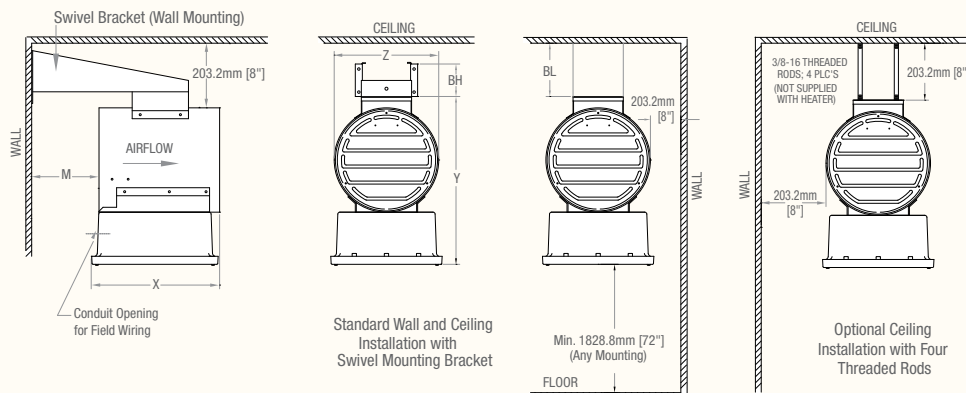
Applications

Food Processing Plants | Marine and Offshore | Wastewater Treatment Plants | Dairies | Cement Plants | Car Washes | Power Generating Stations | Coal Handling Areas

Specifications

Voltage	- 120 to 600VAC
Wattage	- 2kW to 47kW
Color / Finish	- Stainless Steel; Matte Plastic
Heating Element	- Type 316 stainless steel finned tubular
Construction	- 16 gauge corrosion resistant stainless steel housing and NEMA 4X control enclosure - Adjustable stainless steel louvers, can be rotated 90° to direct airflow up, down, left or right
Discharge	- Horizontal
Airflow / CFM	- 700 to 2400
Controls & Wiring	- Automatic reset over-temperature cutout, fan delay relay, controlling contactor, transformer for 24V control circuit, terminal block for field wiring and separate motor contactor
Mounting	- Comes with stainless steel swivel mounting bracket for wall or ceiling installation
Warranty	- 1-year from date of installation (repair only)

Dimensions



Frame Size	kW		
	2-7.5	7.6-12	12.1-47
'X' mm (inches)	394 (15.5)	394 (15.5)	660 (26)
'Y' mm (inches)	550 (21.5)	550 (21.5)	711 (28)
'Z' mm (inches)	330 (13)	330 (13)	510 (20)

Ordering Guide

Cat. No.	kW	Volts	Phase	Amps	CFM	Temp Rise (°C/°F)	Weight (kg/lbs.)
DX-234-U11R-0020B	2	120	1	21	700	5 / 9	25 / 56
DX-234-U11R-0020C	2	208	1	12	700	5 / 9	25 / 56
DX-234-U11R-0020J	2	240	1	11	700	5 / 9	25 / 56
DX-234-U11R-0020N	2	277	1	10	700	5 / 9	25 / 56
DX-234-U11N-0030B	3	120	1	29	700	8 / 14	25 / 56
DX-234-U11N-0030C	3	208	1	17	700	8 / 14	25 / 56
DX-234-U11N-0030D	3	208	3	11	700	8 / 14	25 / 56
DX-234-U11N-0030J	3	240	1	15	700	8 / 14	25 / 56
DX-234-U11N-0030K	3	240	3	10	700	8 / 14	25 / 56
DX-234-U11N-0030N	3	277	1	13	700	8 / 14	25 / 56
DX-234-U11N-0030T	3	480	1	8	700	8 / 14	25 / 56
DX-234-U11N-0030U	3	480	3	5	700	8 / 14	25 / 56
DX-234-U11N-0030Z	3	600	3	4	700	8 / 14	25 / 56
DX-234-U11R-0050C	5	208	1	27	700	13 / 24	25 / 56
DX-234-U11N-0050D	5	208	3	16	700	13 / 24	25 / 56
DX-234-U11R-0050J	5	240	1	23	700	13 / 24	25 / 56
DX-234-U11N-0050K	5	240	3	15	700	13 / 24	25 / 56
DX-234-U11R-0050N	5	277	1	20	700	13 / 24	25 / 56
DX-234-U11R-0050T	5	480	1	12	700	13 / 24	25 / 56
DX-234-U11N-0050U	5	480	3	8	700	13 / 24	25 / 56
DX-234-U11N-0050Z	5	600	3	6	700	13 / 24	25 / 56
DX-234-U11N-0080C	7.5	208	1	39	700	19 / 35	25 / 56
DX-234-U11N-0080D	7.5	208	3	23	700	19 / 35	25 / 56
DX-234-U11N-0080J	7.5	240	1	34	700	19 / 35	25 / 56
DX-234-U11N-0080K	7.5	240	3	21	700	19 / 35	25 / 56
DX-234-U11N-0080N	7.5	277	1	29	700	19 / 35	25 / 56
DX-234-U11N-0080T	7.5	480	1	17	700	19 / 35	25 / 56
DX-234-U11N-0080U	7.5	480	3	11	700	19 / 35	25 / 56
DX-234-U11N-0080Z	7.5	600	3	9	700	19 / 35	25 / 56
DX-234-U11N-0090C	9	208	1	46	1450	11 / 20	25 / 56
DX-234-U11N-0090D	9	208	3	28	1450	11 / 20	25 / 56
DX-234-U11N-0090J	9	240	1	40	1450	11 / 20	25 / 56
DX-234-U11N-0090K	9	240	3	24	1450	11 / 20	25 / 56
DX-234-U11N-0090N	9	277	1	35	1450	11 / 20	25 / 56
DX-234-U11N-0090T	9	480	1	20	1450	11 / 20	25 / 56

Cat. No.	kW	Volts	Phase	Amps	CFM	Temp Rise (°C/°F)	Weight (kg/lbs.)
DX-234-U11N-0090U	9	480	3	12	1450	11 / 20	25 / 56
DX-234-U11N-0090Z	9	600	3	10	1450	11 / 20	25 / 56
DX-234-U11N-0100D	10	208	3	30	1450	12 / 22	25 / 56
DX-234-U11N-0100J	10	240	1	44	1450	12 / 22	25 / 56
DX-234-U11N-0100K	10	240	3	27	1450	12 / 22	25 / 56
DX-234-U11N-0100N	10	277	1	39	1450	12 / 22	25 / 56
DX-234-U11N-0100T	10	480	1	22	1450	12 / 22	25 / 56
DX-234-U11N-0100U	10	480	3	14	1450	12 / 22	25 / 56
DX-234-U11N-0100Z	10	600	3	11	1450	12 / 22	25 / 56
DX-234-U11N-0120D	12	208	3	36	1450	14 / 26	25 / 56
DX-234-U11N-0120K	12	240	3	32	1450	14 / 26	25 / 56
DX-234-U11N-0120N	12	277	1	46	1450	14 / 26	25 / 56
DX-234-U11N-0120T	12	480	1	27	1450	14 / 26	25 / 56
DX-234-U11N-0120U	12	480	3	16	1450	14 / 26	25 / 56
DX-234-U11N-0120Z	12	600	3	13	1450	14 / 26	25 / 56
DX-234-U11L-0130D	12.5	208	3	37	2400	9 / 17	52 / 115
DX-234-U11L-0130K	12.5	240	3	33	2400	9 / 17	52 / 115
DX-234-U11L-0130U	12.5	480	3	17	2400	9 / 17	52 / 115
DX-234-U11L-0130Z	12.5	600	3	14	2400	9 / 17	52 / 115
DX-234-U11L-0150D	15	208	3	44	2400	12 / 21	52 / 115
DX-234-U11L-0150K	15	240	3	39	2400	12 / 21	52 / 115
DX-234-U11L-0150U	15	480	3	20	2400	12 / 21	52 / 115
DX-234-U11L-0150Z	15	600	3	16	2400	12 / 21	52 / 115
DX-234-U11L-0200U	20	480	3	26	2400	16 / 28	52 / 115
DX-234-U11L-0200Z	20	600	3	21	2400	16 / 28	52 / 115
DX-234-U11A-0250U	25	480	3	32	2400	19 / 35	52 / 115
DX-234-U11A-0250Z	25	600	3	26	2400	19 / 35	52 / 115
DX-234-U11A-0300U	30	480	3	38	2400	23 / 42	52 / 115
DX-234-U11A-0300Z	30	600	3	31	2400	23 / 42	52 / 115
DX-234-U11A-0350U	35	480	3	44	2400	27 / 48	52 / 115
DX-234-U11A-0350Z	35	600	3	35	2400	27 / 48	52 / 115
DX-234-U11A-0390U	38.4	480	3	48	2400	30 / 54	52 / 115
DX-234-U11A-0390Z	38.4	600	3	38	2400	30 / 54	52 / 115
DX-234-U11A-0470Z	47	600	3	47	2400	36 / 64	52 / 115

Control Options (factory installed)

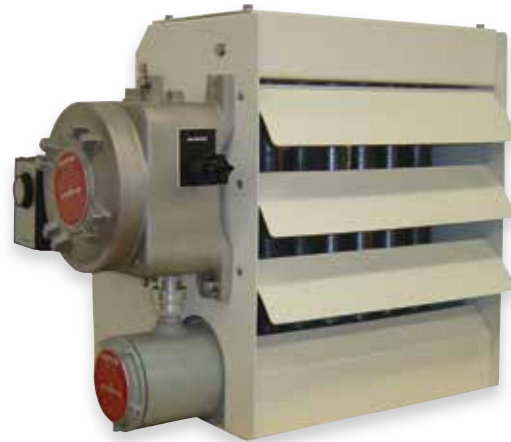
Cat. No.	Description
D	Power Disconnect Switch
L	"Heater on" Pilot Light
M	Secondary Manual Reset Overtemperature Cutout. This option is not available if option Code S or V are also specified.
S	Three-Position Selector Switch (heater-standby-fan). This option is not available if option Code M or V are also specified.
T	Built-in Thermostat 10 to 32°C / 50 to 90°F
V	120V Control Circuit, fused secondary and grounded. This option is not available if option Code S or M are also specified.
X	2-Stage Control
1004328	Washdown / corrosion resistant wall-mounted thermostat for non-hazardous locations 4 to 38°C / 40 to 100°F



Explosion-proof Heater

Heavy duty heaters, designed for safety, durability and reliability.

Class I, Divisions 1 and 2, Groups C and D
 Class II, Divisions 1 and 2, Groups E, F and G
 Class I, Zones 1 and 2, Group IIB, T3
 Temperature Code T3C, 320° F (160° C)



Features

- Industry's lowest ignition temperature code rating: T3C, 160°C/320°F
- Dual over-temperature protection: automatic and manual reset cutout for additional safety
- Nontoxic Propylene Glycol heat transfer fluid
- Low 70 PSIG relief valve setting, assures initial escaping vapor temperature remains below 160°C/320°F ignition point
- Available in three constructions: powder-coated welded steel, 316 stainless steel, or Heresite® coating for use in corrosive environments

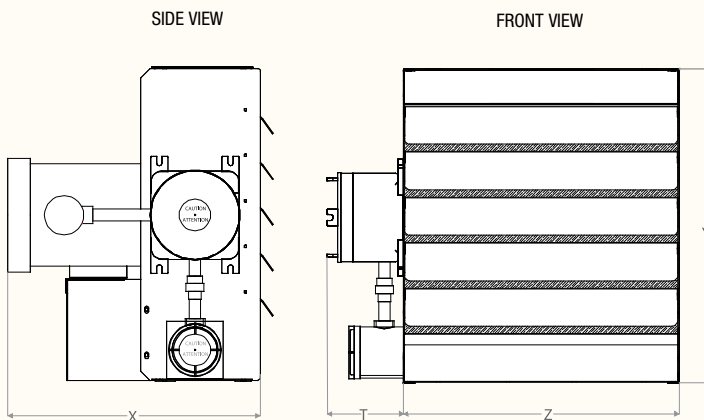
Applications

Aircraft Hangers / Service Areas | Mines/Preparation Plants | Gasoline Fueling / Storage Areas | Paint Spraying / Storage Areas | Utility Plants | Waste Water Treatment Plants | Chemical Plants

Specifications

Voltage	- 208V (1 & 3 Ph), 240V (1 & 3 Ph), 480V (3 Ph), 600V (3 Ph); 60Hz
Wattage	- Sizes ranging from 3 to 30kW
Color	- Almond
Construction / Heat Exchanger	Corrosive-resistant options available in three constructions, suitable for most applications: 1) Standard construction, for use in dry non-corrosive areas, includes: welded steel heat exchanger; powder-coated cabinet; epoxy-coated motor 2) 316 stainless steel construction suitable for Waste Water Treatment Plants includes: 316 stainless steel heat exchanger, headers and tubes with aluminum fins; stainless steel cabinet; corrosive-resistant hardware; epoxy-coated motor 3) Third construction is suitable for use in Chemical Plants where chlorides are present and includes: Heresite® coated heat exchanger, cabinet, and fan blade; corrosive-resistant hardware; epoxy-coated motor
Controls & Wiring	- Automatic reset over-temperature cutout, fan delay relay, controlling contactor, transformer for 24V control circuit, terminal block for field wiring and separate motor contactor
Installation	- Easy access to motor and fan; motors are prewired to control enclosure
Warranty	- 1-year from date of installation

Dimensions



Frame Size		Size 1	Size 2	Size 3
Overall Heater Dimensions	'X' mm (inches)	464 (21.8)	464 (21.8)	508 (20.9)
	'Y' mm (inches)	492 (19.4)	594 (23.4)	695 (27.4)
	'Z' mm (inches)	408 (16.1)	513 (20.2)	614 (24.2)
Weight	Net kg (Lbs.)	50 (110)	68 (150)	86 (190)
	Shipping kg (Lbs.)	59 (130)	77 (169)	98 (216)

Ordering Guide

Cat. No.	kW	Volts	Phase	Amps	Size	CFM (M ³ /hr)	Throw Ft (m)	Temp Rise (°C/°F)	Weight (kg/lbs.)
DX-233-CA-0036C	3	208	1	17	1	650 (1104)	15 (4.5)	8 / 15	50 / 110
DX-233-CA-0036D	3	208	3	10	1	650 (1104)	15 (4.5)	8 / 15	50 / 110
DX-233-CA-0036J	3	240	1	15	1	650 (1104)	15 (4.5)	8 / 15	50 / 110
DX-233-CA-0036K	3	240	3	9	1	650 (1104)	15 (4.5)	8 / 15	50 / 110
DX-233-CA-0036U	3	480	3	5	1	650 (1104)	15 (4.5)	8 / 15	50 / 110
DX-233-CA-0036Z	3	600	3	4	1	650 (1104)	15 (4.5)	8 / 15	50 / 110
DX-233-CA-0056C	5	208	1	26	1	650 (1104)	15 (4.5)	13 / 25	50 / 110
DX-233-CA-0056D	5	208	3	16	1	650 (1104)	15 (4.5)	13 / 25	50 / 110
DX-233-CA-0056J	5	240	1	23	1	650 (1104)	15 (4.5)	13 / 25	50 / 110
DX-233-CA-0056K	5	240	3	14	1	650 (1104)	15 (4.5)	13 / 25	50 / 110
DX-233-CA-0056U	5	480	3	7	1	650 (1104)	15 (4.5)	13 / 25	50 / 110
DX-233-CA-0056Z	5	600	3	6	1	650 (1104)	15 (4.5)	13 / 25	50 / 110
DX-233-CA-0086C	7.5	208	1	38	1	850 (1444)	25 (7.6)	16 / 28	50 / 110
DX-233-CA-0086D	7.5	208	3	23	1	850 (1444)	25 (7.6)	16 / 28	50 / 110
DX-233-CA-0086J	7.5	240	1	34	1	850 (1444)	25 (7.6)	16 / 28	50 / 110
DX-233-CA-0086K	7.5	240	3	20	1	850 (1444)	25 (7.6)	16 / 28	50 / 110
DX-233-CA-0086U	7.5	480	3	10	1	850 (1444)	25 (7.6)	16 / 28	50 / 110
DX-233-CA-0086Z	7.5	600	3	9	1	850 (1444)	25 (7.6)	16 / 28	50 / 110
DX-233-CA-0106D	10	208	3	30	1	850 (1444)	25 (7.6)	21 / 38	50 / 110
DX-233-CA-0106J	10	240	1	44	1	850 (1444)	25 (7.6)	21 / 38	50 / 110
DX-233-CA-0106K	10	240	3	26	1	850 (1444)	25 (7.6)	21 / 38	50 / 110
DX-233-CA-0106U	10	480	3	13	1	850 (1444)	25 (7.6)	21 / 38	50 / 110
DX-233-CA-0106Z	10	600	3	11	1	850 (1444)	25 (7.6)	21 / 38	50 / 110
DX-233-CB-0156D	15	208	3	44	2	1800 (3058)	45 (13.7)	15 / 27	68 / 150
DX-233-CB-0156K	15	240	3	38	2	1800 (3058)	45 (13.7)	15 / 27	68 / 150
DX-233-CB-0156U	15	480	3	19	2	1800 (3058)	45 (13.7)	15 / 27	68 / 150
DX-233-CB-0156Z	15	600	3	16	2	1800 (3058)	45 (13.7)	15 / 27	68 / 150
DX-233-CB-0206U	20	480	3	25	2	1800 (3058)	45 (13.7)	19 / 35	68 / 150
DX-233-CB-0206Z	20	600	3	21	2	1800 (3058)	45 (13.7)	19 / 35	68 / 150
DX-233-CC-0256U	25	480	3	31	3	3100 (5283)	65 (19.8)	14 / 26	86 / 190
DX-233-CC-0256Z	25	600	3	25	3	3100 (5283)	65 (19.8)	14 / 26	86 / 190
DX-233-CC-0306U	30	480	3	37	3	3850 (6541)	75 (22.8)	13 / 25	86 / 190
DX-233-CC-0306Z	30	600	3	30	3	3850 (6541)	75 (22.8)	13 / 25	86 / 190

Factory Built-in Options

Cat. No.	Description
C1	316 Stainless Steel Corrosion Resistant Construction (Waste Water Treatment Plants)
C2	Dirty Duty Corrosion-Resistant Construction (Chemical Plants)
D	Power Disconnect Switch
E	Group E (Metal Dust) Construction
K	"Warning" Pilot Light
L	"Heater On" Pilot Light
M	Secondary Manual Reset Overtemperature Cutout. This option is not available if option Code S or V are also specified.
S	Two-Position Selector Switch (auto-fan). This option is not available if option Code M or V are also specified.
T	Built-in Thermostat 10 to 32°C / 50 to 90°F
V	120V Control Circuit, fused secondary and grounded. This option is not available if option Code S or M are also specified. Nor can both K and L be specified.

Control Options (field installed)

Cat. No.	Description
HLS1	Hazardous location SPDT remote mount adjustable thermostat with bi-metal sensor, rated 347V – 25A

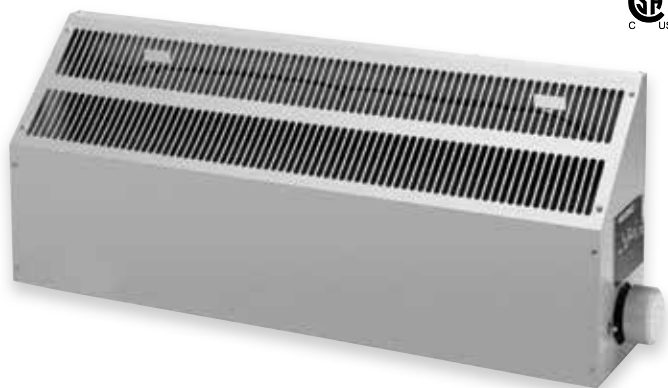
Mounting Hardware (field installed)

Cat. No.	Description
DX-1022451	Ceiling mounting kit for frame size 1, 2, 3
DX-1022454	Wall mounting kit for frame size 1, 2, 3
DX-1022457	Pole mounting kit for frame size 1, 2, 3
DX-1022451-S	Corrosion Resistant Ceiling Mounting Kit, for Frame Sizes 1, 2, 3
DX-1022454-S	Corrosion Resistant Wall Mounting Kit, for Frame Sizes 1, 2, 3
DX-1022455-S	Corrosion Resistant Pole Mounting Kit, for Frame Sizes 1, 2, 3

Explosion-proof Convection Heater

Rugged, high-performance heat with optimal safety for hazardous work environments. Constructed of heavy gauge galvanized steel for quality and longevity.

Class I, Divisions 1 and 2, Groups B, C and D
Class II, Divisions 1 and 2, Groups E, F and G
Class I, Zones 1 and 2, Group 11B and H2



Features

- Four compact sizes to fit any space with ratings from 500 to 9,500 watts
- Linear limit, automatic reset thermal cutout is built into every heater
- Unique design provides single and balanced three-phase loads in a single element
- Three listings cover the entire range of ignition temperatures, two for hazardous gases and vapors and one for dust particles
- All unit sizes available with iridite-coated elements and powder-coated frames for NEMA 3 wet locations

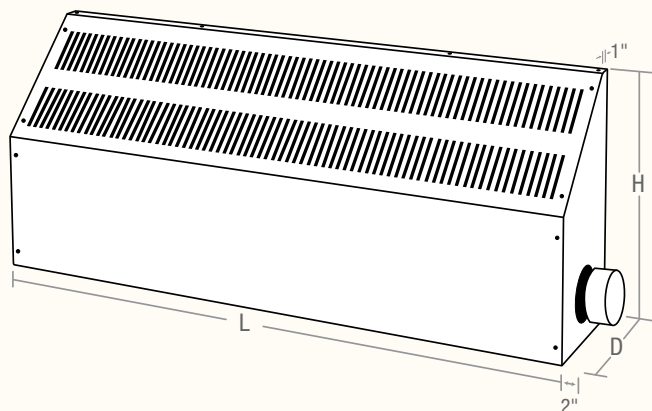
Applications

Battery Storage Areas | Chemical Plants | Coal Handling Facilities | Dry Cleaning Plants | Gasoline Fueling / Storage Areas | Grain Elevators | Oil Refineries | Paint Spraying/Storage Areas | Petrochemical Plants

Specifications

Voltage	- 120V (1 Ph), 208V (1 & 3 Ph), 240V (1 Ph), 277V (1 Ph), 347V (1 Ph), 480V (3 Ph), 600V (3 Ph); 60Hz
Wattage	- Sizes ranging from 0.5kW to 9.5kW
Color	- Beige
Finish	- Polyester/epoxy powder coating resists fading and abrasion
Construction	- Heavy gauge galvanized steel sloped top cabinet prevents objects from being set on top of the convector, which can restrict airflow and cause overheating
Heating Element	- Grade A Nickel-Chromium heating coils are insulated with ceramic and magnesium oxide from the copper heater tube and fitted with large aluminum fins locked in place - Also available with iridite-coated elements and powder-coated frames for NEMA 3 wet locations
Controls & Wiring	- For larger single-phase and all three-phase units, a built-on contactor and transformer option package are available
Installation	- Cabinet should be mounted at least 6 inches (152 mm) above the floor - Factory-furnished wall brackets make installation easy
Warranty	- 1-year from date of installation

Dimensions



Unit Size	Dimensions – Inches (cm)			Weight – Lb (kg)
	Length (L)	Height (H)	Depth (D)	
1	26 (66)	6 (15)	4-1/2 (11)	13 (5.9)
2	26 (66)	16 (41)	8 (20)	27 (12.2)
3	39 (99)	16 (41)	8 (20)	36 (16.3)
4	6701/2 (171)	16 (41)	8 (20)	60 (27.2)

Ordering Guide

Class I, Divisions 1 and 2, Groups B, C and D. Class I, Zones 1 and 2, Group 11B and H2, T (280)

Cat. No.	Ignition Temp / Code °F/°C	kW	Volts/Phase	Amps	Unit Size	Weight (kg/lbs.)
DX-254-C0310052B	T2A-536 / 280	0.5	120 / 1	4.2	1	5.9 / 13
DX-254-C0310052C	T2A-536 / 280	0.5	208 / 1	2.4	1	5.9 / 13
DX-254-C0310052J	T2A-536 / 280	0.5	240 / 1	2.1	1	5.9 / 13
DX-254-C0310052N	T2A-536 / 280	0.5	277 / 1	1.8	1	5.9 / 13
DX-254-C0310102B	T2A-536 / 280	1	120 / 1	8.3	1	5.9 / 13
DX-254-C0310102C	T2A-536 / 280	1	208 / 1	4.8	1	5.9 / 13
DX-254-C0310102J	T2A-536 / 280	1	240 / 1	4.2	1	5.9 / 13
DX-254-C0310102N	T2A-536 / 280	1	277 / 1	3.6	1	5.9 / 13
DX-254-C0320182B	T2A-536 / 280	1.8	120 / 1	15	2	12.2 / 27
DX-254-C0320182C	T2A-536 / 280	1.8	208 / 1	8.7	2	12.2 / 27
DX-254-C0320182J	T2A-536 / 280	1.8	240 / 1	7.5	2	12.2 / 27
DX-254-C0320182N	T2A-536 / 280	1.8	277 / 1	6.5	2	12.2 / 27
DX-254-C0320182I	T2A-536 / 280	1.8	347 / 1	5.2	2	12.2 / 27
DX-254-C0320182U	T2A-536 / 280	1.8	480 / 3	2.16	2	12.2 / 27
DX-254-C0320182Z	T2A-536 / 280	1.8	600 / 3	1.8	2	12.2 / 27
DX-254-C0320252C	T2A-536 / 280	2.5	208 / 1	12	2	12.2 / 27
DX-254-C0320252J	T2A-536 / 280	2.5	240 / 1	10.4	2	12.2 / 27
DX-254-C0320252D	T2A-536 / 280	2.5	208 / 3	6.9	2	12.2 / 27
DX-254-C0320252N	T2A-536 / 280	2.5	277 / 1	9	2	12.2 / 27
DX-254-C0320252I	T2A-536 / 280	2.5	347 / 1	7.2	2	12.2 / 27
DX-254-C0320252U	T2A-536 / 280	2.5	480 / 3	3	2	12.2 / 27
DX-254-C0320252Z	T2A-536 / 280	2.5	600 / 3	2.4	2	12.2 / 27
DX-254-C0330362C	T2A-536 / 280	3.6	208 / 1	17.3	3	16.3 / 36
DX-254-C0330362J	T2A-536 / 280	3.6	240 / 1	15	3	16.3 / 36
DX-254-C0330362D	T2A-536 / 280	3.6	208 / 3	10	3	16.3 / 36
DX-254-C0330362N	T2A-536 / 280	3.6	277 / 1	13	3	16.3 / 36
DX-254-C0330362I	T2A-536 / 280	3.6	347 / 1	10.4	3	16.3 / 36

Cat. No.	Ignition Temp / Code °F/°C	kW	Volts/Phase	Amps	Unit Size	Weight (kg/lbs.)
DX-254-C0330362U	T2A-536 / 280	3.6	480 / 3	4.3	3	16.3 / 36
DX-254-C0330362Z	T2A-536 / 280	3.6	600 / 3	3.5	3	16.3 / 36
DX-254-C0330442J	T2A-536 / 280	4.4	240 / 1	18.3	3	16.3 / 36
DX-254-C0330442D	T2A-536 / 280	4.4	208 / 3	12.2	3	16.3 / 36
DX-254-C0330442N	T2A-536 / 280	4.4	277 / 1	15.9	3	16.3 / 36
DX-254-C0330442I	T2A-536 / 280	4.4	347 / 1	12.7	3	16.3 / 36
DX-254-C0330442U	T2A-536 / 280	4.4	480 / 3	5.3	3	16.3 / 36
DX-254-C0330342Z	T2A-536 / 280	4.4	600 / 3	4.3	3	16.3 / 36
DX-254-C0340652J	T2A-536 / 280	6.5	240 / 1	27.1	4	27.2 / 60
DX-254-C0340652D	T2A-536 / 280	6.5	208 / 3	18	4	27.2 / 60
DX-254-C0340652N	T2A-536 / 280	6.5	277 / 1	23.5	4	27.2 / 60
DX-254-C0340652I	T2A-536 / 280	6.5	347 / 1	18.7	4	27.2 / 60
DX-254-C0340652U	T2A-536 / 280	6.5	480 / 3	7.8	4	27.2 / 60
DX-254-C0340652Z	T2A-536 / 280	6.5	600 / 3	6.3	4	27.2 / 60
DX-254-C0340752J	T2A-536 / 280	7.5	240 / 1	31.3	4	27.2 / 60
DX-254-C0340752D	T2A-536 / 280	7.5	208 / 3	20.8	4	27.2 / 60
DX-254-C0340752N	T2A-536 / 280	7.5	277 / 1	27.1	4	27.2 / 60
DX-254-C0340752I	T2A-536 / 280	7.5	347 / 1	21.6	4	27.2 / 60
DX-254-C0340752U	T2A-536 / 280	7.5	480 / 3	9	4	27.2 / 60
DX-254-C0340752Z	T2A-536 / 280	7.5	600 / 3	7.2	4	27.2 / 60
DX-254-C0340952J	T2A-536 / 280	9.5	240 / 1	39.6	4	27.2 / 60
DX-254-C0340952D	T2A-536 / 280	9.5	208 / 3	26.4	4	27.2 / 60
DX-254-C0340952N	T2A-536 / 280	9.5	277 / 1	34.3	4	27.2 / 60
DX-254-C0340952I	T2A-536 / 280	9.5	347 / 1	36.5	4	27.2 / 60
DX-254-C0340952U	T2A-536 / 280	9.5	480 / 3	11.4	4	27.2 / 60
DX-254-C0340952Z	T2A-536 / 280	9.5	600 / 3	9.1	4	27.2 / 60

Class I, Divisions 1 and 2, Groups B, C and D. Class I, Zones 1 and 2, Group 11B and H2, T (180)

Cat. No.	Ignition Temp / Code °F/°C	kW	Volts/Phase	Amps	Unit Size	Weight (kg/lbs.)
DX-254-C0610052B	T3A-356 / 180	0.5	120 / 1	4.2	1	5.9 / 13
DX-254-C0610052C	T3A-356 / 180	0.5	208 / 1	2.4	1	5.9 / 13
DX-254-C0610052J	T3A-356 / 180	0.5	240 / 1	2.1	1	5.9 / 13
DX-254-C0610052N	T3A-356 / 180	0.5	277 / 1	1.8	1	5.9 / 13
DX-254-C0620142B	T3A-356 / 180	1.4	120 / 1	11.7	2	12.2 / 27
DX-254-C0620142C	T3A-356 / 180	1.4	208 / 1	6.7	2	12.2 / 27
DX-254-C0620142J	T3A-356 / 180	1.4	240 / 1	5.8	2	12.2 / 27
DX-254-C0620142N	T3A-356 / 180	1.4	277 / 1	5.1	2	12.2 / 27
DX-254-C0620142I	T3A-356 / 180	1.4	347 / 1	3.2	2	12.2 / 27
DX-254-C0630232B	T3A-356 / 180	2.3	120 / 1	19.2	3	16.3 / 36
DX-254-C0630232C	T3A-356 / 180	2.3	208 / 1	11.1	3	16.3 / 36
DX-254-C0630232J	T3A-356 / 180	2.3	240 / 1	9.6	3	16.3 / 36
DX-254-C0630232D	T3A-356 / 180	2.3	208 / 3	6.4	3	16.3 / 36
DX-254-C0630232N	T3A-356 / 180	2.3	277 / 1	8.3	3	16.3 / 36
DX-254-C0630232I	T3A-356 / 180	2.3	347 / 1	6.6	3	16.3 / 36

Cat. No.	Ignition Temp / Code °F/°C	kW	Volts/Phase	Amps	Unit Size	Weight (kg/lbs.)
DX-254-C0630232U	T3A-356 / 180	2.3	480 / 3	2.8	3	16.3 / 36
DX-254-C0630232Z	T3A-356 / 180	2.3	600 / 3	2.2	3	16.3 / 36
DX-254-C0640322C	T3A-356 / 180	3.2	208 / 1	15.4	4	27.2 / 60
DX-254-C0640322J	T3A-356 / 180	3.2	240 / 1	13.3	4	27.2 / 60
DX-254-C0640322D	T3A-356 / 180	3.2	208 / 3	8.9	4	27.2 / 60
DX-254-C0640322N	T3A-356 / 180	3.2	277 / 1	11.6	4	27.2 / 60
DX-254-C0640322I	T3A-356 / 180	3.2	347 / 1	9.2	4	27.2 / 60
DX-254-C0640322U	T3A-356 / 180	3.2	480 / 3	3.8	4	27.2 / 60
DX-254-C0640322Z	T3A-356 / 180	3.2	600 / 3	3.1	4	27.2 / 60
DX-254-C0640502J	T3A-356 / 180	5	240 / 1	20.8	4	27.2 / 60
DX-254-C0640502D	T3A-356 / 180	5	208 / 3	13.9	4	27.2 / 60
DX-254-C0640502N	T3A-356 / 180	5	277 / 1	18.1	4	27.2 / 60
DX-254-C0640502I	T3A-356 / 180	5	347 / 1	14.4	4	27.2 / 60
DX-254-C0640502U	T3A-356 / 180	5	480 / 3	6	4	27.2 / 60
DX-254-C0640502Z	T3A-356 / 180	5	600 / 3	4.8	4	27.2 / 60

Class I, Divisions 1 and 2, Groups B, C and D. Class I, Zone 1 and 2, Group 11B and H2. Class II, Divisions 1 and 2, Groups E, F and G

Cat. No.	Ignition Temp / Code °F/°C	kW	Volts/Phase	Amps	Unit Size	Weight (kg/lbs.)	Cat. No.	Ignition Temp/ Code °F/°C	kW	Volts/Phase	Amps	Unit Size	Weight (kg/lbs.)
DX-254-C0810054B	T3C-320 / 160	0.5	120 / 1	4.2	1	5.9 / 13	DX-254-C0830174N	T3C-320 / 160	1.7	277 / 1	6.1	3	16.3 / 36
DX-254-C0810054C	T3C-320 / 160	0.5	208 / 1	2.4	1	5.9 / 13	DX-254-C0830174I	T3C-320 / 160	1.7	347 / 1	4.9	3	16.3 / 36
DX-254-C0810054J	T3C-320 / 160	0.5	240 / 1	2.1	1	5.9 / 13	DX-254-C0830174U	T3C-320 / 160	1.7	480 / 3	2	3	16.3 / 36
DX-254-C0810054N	T3C-320 / 160	0.5	277 / 1	1.8	1	5.9 / 13	DX-254-C0830174Z	T3C-320 / 160	1.7	600 / 3	1.6	3	16.3 / 36
DX-254-C0820104B	T3C-320 / 160	1	120 / 1	8.3	2	12.2 / 27	DX-254-C0840324C	T3C-320 / 160	3.2	208 / 1	15.4	4	27.2 / 60
DX-254-C0820104C	T3C-320 / 160	1	208 / 1	4.8	2	12.2 / 27	DX-254-C0840324J	T3C-320 / 160	3.2	240 / 1	13.3	4	27.2 / 60
DX-254-C0820104J	T3C-320 / 160	1	240 / 1	4.2	2	12.2 / 27	DX-254-C0840324D	T3C-320 / 160	3.2	208 / 3	8.9	4	27.2 / 60
DX-254-C0820104N	T3C-320 / 160	1	277 / 1	3.6	2	12.2 / 27	DX-254-C0840324N	T3C-320 / 160	3.2	277 / 1	11.6	4	27.2 / 60
DX-254-C0820104I	T3C-320 / 160	1	347 / 1	2.9	2	12.2 / 27	DX-254-C0840324I	T3C-320 / 160	3.2	347 / 1	9.2	4	27.2 / 60
DX-254-C0830174B	T3C-320 / 160	1.7	120 / 1	14.2	3	16.3 / 36	DX-254-C0840324U	T3C-320 / 160	3.2	480 / 3	3.8	4	27.2 / 60
DX-254-C0830174J	T3C-320 / 160	1.7	240 / 1	7.1	3	16.3 / 36	DX-254-C0840324Z	T3C-320 / 160	3.2	600 / 3	3.1	4	27.2 / 60

NOTE: All single-phase heaters rated over 22 amps or 277 volts and all three-phase heaters require a magnetic contactor. Some electrical combinations will also require a control transformer. To simplify field installation, these accessories are factory-mounted on the heater cabinet and factory pre-wired (not available on Size 1 convectors).

Factory Built-in Options

Note: When adding control options to Class II, Division 1 and 2, Groups E, F and G (T3C), simply add a hyphen, plus the specific control option (as listed below) to the above listed Catalogue Number when ordering.

Code	Option	Description	Availability Code
B2	Electric Control Option (1) (without Thermostat)	Classes I and II, Groups B,C,D,E,F and G includes contactor and transformer (as required). Required for all three-phase and single-phase heaters over 22A or 277V.	AS
B2/S1	Thermostat & Controls (1)	Classes I and II, Groups C,D,E,F, and G includes thermostat, contactor and transformer (as required).	AS
B3	Thermostat & Controls (Group B) (1)	Classes I and II, Groups B,C,D,E,F, and G includes thermostat, contactor and transformer (as required). Thermostat has internal set point.	AS
S1	Thermostat (1)	Classes I and II, Groups C,D,E,F, and G single-phase heaters, rated up to 22 amps at 120-277 volts. Use remote room thermostat DX-1007002 for size 1 convectors.	
S2	Thermostat (Group B) (1)	Classes I and II, Group B,C,D,E,F, and G single-phase heaters, rated up to 22 amps at 120-277 volts. Thermostat has internal set point. Use remote room thermometer catalogue number DX-1007002 for size 1 convectors.	AS
C1	Wet Locations	NEMA 3 rated heater construction not available with S1 and B2/S1 thermostat options.	C

NOTE: (1) These options are not available on size 1 convectors.

AS = Assembly Stock, C = Custom. Assembly Stock heaters ordered with custom options are subject to longer delivery.

All single-phase heaters rated over 22 amps or 277 volts and all three-phase heaters require a magnetic contactor. Some electrical combinations will also require a control transformer. To simplify field installation, these accessories are factory-mounted on the heater cabinet and factory pre-wired (not available on Size 1 convectors).

Control Options (field installed)

Cat. No.	Switch Type	Ratings	Type	Amps @ 125-277V	Temperature Range
DX-1007002	Bimetal	Class I, Division I, Groups C and D Class II, Division I, Groups E, F and G	SPDT	22	50-90°F/ (10-32°C)

Radiant Heater

Enables spot heating of specific areas without having to heat the entire building.



CRT - Narrow beam



KR - Wide beam



KRR - Wide beam

Available in Canada only

Features

- Extremely rapid warm up
- Provides effective heat even in cold ambient temperatures
- Incoloy elements offer impact, vibration and splash resistance
- Units can be mounted in any position

Applications

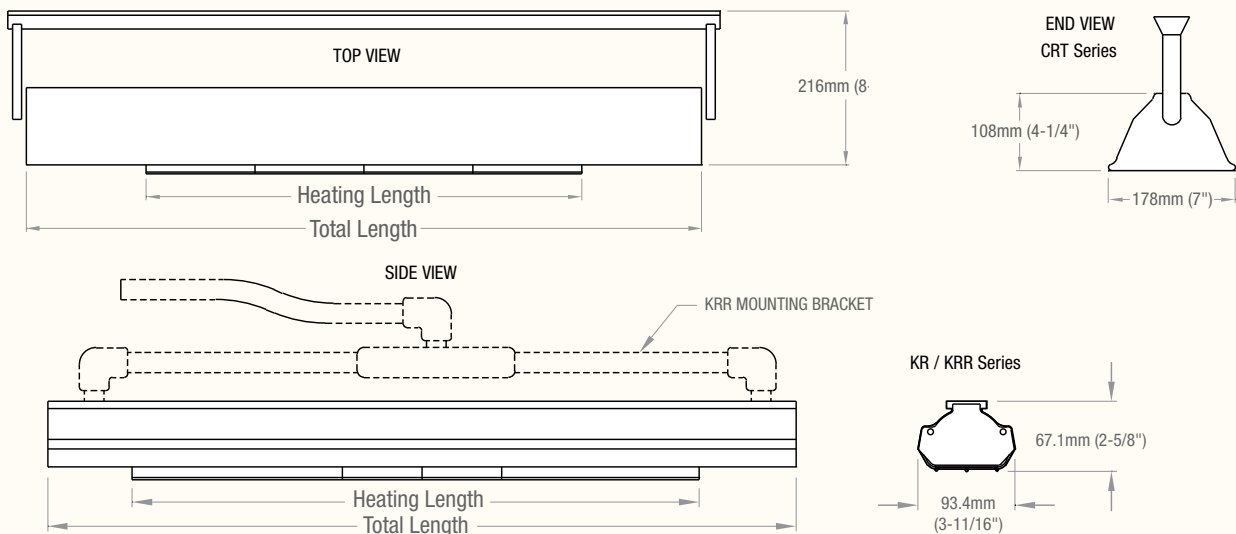
Shipping / Receiving Areas | Factories | Arenas | Bus Shelters & Terminals | Indoor Swimming Pools

Specifications

Voltage	- CRT units 120, 208, 240, 600V - KR units 120, 208, 240V - KRR units 208, 240, 600V
Wattage	- CRT units have four sizes ranging from 1000 - 4000W - KR units have five sizes ranging from 1100 - 3600W - KRR units have four sizes ranging from 1800 - 5000W
Construction	- Extruded aluminum housing - There is a choice of 2 angle reflectors, CRT - 55° angle and KR/KRR - 75° angle
Heating Element	- Totally enclosed nickel chromium resistance element with incoloy sheathing - The CRT unit offers a narrow beam when you need a unit for high mounting heights - Confines heat spread to a 55° angle - The KR (single element)/KRR (double element, high intensity) provides wide beam coverage - The heat spreads over a 75° angle and requires mounting closer to the object than the narrow beam
Warranty	- 1-year warranty on complete unit

Industrial

Dimensions



Ordering Guide

Cat. No.	Watts	BTU	Volts / Phase	Total Length (mm/in)	Heating Length (mm/in)	Weight (kg/lbs.)
CRT						
CRT351011	1000	3412	120 / 1	946 / 37.3	610 / 24	6.3 / 14
CRT351021	1000	3412	208 / 1	946 / 37.3	610 / 24	6.3 / 14
CRT351031	1000	3412	240 / 1	946 / 37.3	610 / 24	6.3 / 14
CRT482021	2000	6824	208 / 1	1276 / 50.3	940 / 37	8.1 / 18
CRT482031	2000	6824	240 / 1	1276 / 50.3	940 / 37	8.1 / 18
CRT482081	2000	6824	600 / 1	1276 / 50.3	940 / 37	8.1 / 18
CRT653021	3000	10236	208 / 1	1711 / 67.4	1372 / 54	10.4 / 23
CRT653031	3000	10236	240 / 1	1711 / 67.4	1372 / 54	10.4 / 23
CRT653081	3000	10236	600 / 1	1711 / 67.4	1372 / 54	10.4 / 23
CRT844021	4000	13648	208 / 1	2194 / 86.4	1854 / 73	13.1 / 29
CRT844031	4000	13648	240 / 1	2194 / 86.4	1854 / 73	13.1 / 29
CRT844081	4000	13648	600 / 1	2194 / 86.4	1854 / 73	13.1 / 29

KR

KR3113C111	1100	3753	120 / 1	772 / 30.4	546 / 21.5	3.2 / 7
KR3113C121	1100	3753	208 / 1	772 / 30.4	546 / 21.5	3.2 / 7
KR3113C131	1100	3753	240 / 1	772 / 30.4	546 / 21.5	3.2 / 7
KR4183C121	1800	6142	208 / 1	1178 / 46.4	953 / 37.5	4.5 / 10
KR4183C131	1800	6142	240 / 1	1178 / 46.4	953 / 37.5	4.5 / 10
KR5253C121	2500	7677	208 / 1	1553 / 61.1	1295 / 51.1	5.4 / 12
KR5253C131	2500	7677	240 / 1	1553 / 61.1	1295 / 51.1	5.4 / 12
KR6303C121	3000	10236	208 / 1	1867 / 73.5	1603 / 63.1	7.7 / 17
KR6303C131	3000	10236	240 / 1	1867 / 73.5	1603 / 63.1	7.7 / 17
KR7363C121	3600	12283	208 / 1	2712 / 85.5	1902 / 74.9	7.7 / 17
KR7363C131	3600	12283	240 / 1	2712 / 85.5	1902 / 74.9	7.7 / 17

KRR

KRR3184C121	1800	6142	208 / 1	772 / 30.4	546 / 21.5	6.3 / 14
KRR3184C131	1800	6142	240 / 1	772 / 30.4	546 / 21.5	6.3 / 14
KRR3184C181	1800	6142	600 / 1	772 / 30.4	546 / 21.5	6.3 / 14
KRR4304C121	3000	10236	208 / 1	1178 / 46.4	953 / 37.5	7.2 / 16
KRR4304C131	3000	10236	240 / 1	1178 / 46.4	953 / 37.5	7.2 / 16
KRR4304C181	3000	10236	600 / 1	1178 / 46.4	953 / 37.5	7.2 / 16
KRR5424C121	4200	14330	208 / 1	1550 / 61	1370 / 53	7.7 / 17
KRR5424C131	4200	14330	240 / 1	1550 / 61	1370 / 53	7.7 / 17
KRR5424C181	4200	14330	600 / 1	1550 / 61	1370 / 53	7.7 / 17
KRR6504C131	5000	17060	240 / 1	1867 / 73.5	1603 / 63.1	9.9 / 22
KRR6504C181	5000	17060	600 / 1	1867 / 73.5	1603 / 63.1	9.9 / 22

Note: Consult factory for other wattage and voltage requirements.



Electronic Line Voltage Thermostats

Easy-to-use line voltage thermostats for use with linear and panel convectors, electric baseboards, fan-forced heaters, and radiant heaters.

Features

- TRIAC silent switching
- CSA C828 compliant
- Manual, precise temperature control accurate to +/- 0.5°C (0.9°F)
- Variable duty cycles for proportional heating
- Built-in surge protection
- Temperature display in Celsius or Fahrenheit
- Setting range from +5°C to + 35°C (41°F to 95°F)
- Fast, easy 2-wire installation
- CSA certified for use in Canada and the U.S.
- 2-year warranty



HTC521W



HTC525W

Ordering Guide

Cat. No.	Description
Non-Programmable	
HTC521W	3,600W / 240V Electronic Non-Programmable
HTC525W	4,000W / 240V Electronic Non-Programmable

Programmable Model Features

- 7-day, 4 daily event programming
- Memory backup for settings
- Pre-start programming – reaches set temperature on time
- Backlit display



HTC621W



HTC625W



HTC627-347W

Ordering Guide

Cat. No.	Description
Programmable	
HTC621W	3,600W / 240V Electronic 7-day Programmable
HTC625W	4,000W / 240V Electronic 7-day Programmable
HTC627-347W	5,200W / 347V Electronic 7-day Programmable



Line Voltage Thermostat

Features

- For use with linear and panel convection and electric baseboard heaters
- Designed for superior ventilation across bimetal for optimum accuracy

Ordering Guide

Cat. No.	Rating		Switch	Color
	Non-Inductive	Inductive		
TS521W	5000W/277V Max.	1/3HP/240V	SPST	White
TD522W	5000W/277V Max.	1/3HP/240V	DPST	White

Line Voltage



TS / TD



Low Voltage Thermostat

Features

- Traditional styling
- Adjustable anticipator setting
- Temperature range: 10-30°C / 50-86°F
- For use with 24V control systems

Ordering Guide

Cat. No.	Rating	Switch	Color
T822K1018	30V AC Max, 1.5A, Fahrenheit	Bi-metal	White
T822K1034	30V AC Max, 1.5A, Celsius	Bi-metal	White
CCTHV-100	30V AC, 0.5A	TRIAC	White
CCTHV-100-3	30V AC, 0.5A, LCD Display, celsius and fahrenheit	TRIAC	White

Low Voltage



T822K 1034* / T822K 1018**

*Celsius scale for Canada
**Fahrenheit scale for United States



CCTHV
No Display

Accessories (field installed)

Cat. No.	Description
F290143	Universal plastic thermostat guard with locking key. Fits all units on this page. 162mm (L) x 89mm (W) x 82.8mm (D)



TRIAC Electronic Relays

TRIAC SSR (Solid State Relay) controllers are recommended for use with proportional temperature controllers where long-life, reliable ON/OFF control is required for a resistive load.

Features

- No distracting clicking when engaged
- Suitable for controlling all processes that have either long or short-timed cycles
- Keeps temperature closer to desired set point for maximum comfort
- Zero-crossing operation and silent arcless switching
- Cycles once per second; very fast and quiet
- Life expectations higher than 1 billion operations
- Does not create RFI and will not effect sensitive electronic equipment

Applications

Resistive Load Heaters | Lighting Controls
 | Electronic Boilers and Humidifiers | Ovens
 | Furnaces, IC Processing Equipment and
 Temperature Controls

Specifications

Voltage	- 48-600VAC
Amps	- 15, 25, 30 Amps
Heat Sink	- Type MS-19921 (10-15A) - Type MS-15170 (25-30A)
Power Module	- 10-40A, built-in
Input Signal	- 3-32Vdc, 24VAC, 6mA per pole at 3Vdc
Modulating Control	- Yes
Zero-crossing	- Yes
Construction	- Epoxy thermally protected for humidity protection, overheating, and protection in contaminated environments
Installation	- Fast adjustment and installation - Must be mounted in well ventilated areas - All TRIACs are mounted on aluminum heat sinks
Warranty	- 2-year warranty

Ordering Guide

Cat. No.	Amps	Volts	Phase	Frequency	Dimensions (W x H x D)
CCT-15-1-C1	15	48-347VAC	1	60Hz	101.6mm x 120.6mm x 66.7mm (4" x 4.8" x 2.6")
CCT-15-1-C2-T347 with Transformer	15	48-347VAC	1	60Hz	119mm x 119mm x 68.2mm (4.7" x 4.7" x 2.7")
CCT-25-1-C1	25	48-347VAC	1	60Hz	101.6mm x 120.6mm x 68.2mm (4" x 4.8" x 2.7")
CCT-25-1-C2-T347 with Transformer	25	48-347VAC	1	60Hz	119mm x 119mm x 68.2mm (4.7" x 4.7" x 2.7")
CCT-30-1-C2	30	48-600VAC	1	60Hz	119mm x 119mm x 66.6mm (4.7" x 4.7" x 2.6")

Note: All dimensions are without enclosures.
 C1 enclosures: 102mm x 102mm (4" x 4")
 C2 enclosures: 120mm x 120mm (4.7" x 4.7")

Relay Kits & Transformers

Ordering Guide

Cat. No.	Description	Cat. No.	Description
120VLVR	Low Voltage Relay with 24V Transformer Kit – 120V	R841C1151	Low Voltage Relay with 24V Transformer Kit – 600V
208VLVR	Low Voltage Relay with 24V Transformer Kit – 208V	24VLVR	600/120V, 10/22A Low Voltage Relay less Transformer
240VLVR	Low Voltage Relay with 24V Transformer Kit – 240V	24A01G3	Single Relay, 1-6000W @240V with Transformer
347VLVR	Low Voltage Relay with 24V Transformer Kit – 347V	24A06G1	Double Relay, 2-6000W @240V with Transformer

Warranty

Limited Warranty: DIMPLEX® products are tested and inspected prior to shipment and are guaranteed to be free from defects to the purchaser of each new product for a period specified on the applicable Residential, Commercial and Industrial Electric Heating Products catalog page. Any part, which proves to be defective in material or workmanship under normal use within the warranty period, will be replaced or repaired without charge. The Company will not be responsible for any expenses incurred for installation, removal from service, or transportation costs. Any such defect should be brought to the attention of the Company's office where the product was purchased and is authorized to repair or replace within the terms of the warranty. The warranty will not apply if, in the judgement of the Company, damage or failure has resulted from accident, alteration, misuse, abuse, incorrect installation, or operation on an incorrect power source. The foregoing is in lieu of all other warranties expressed, implied or statutory, and neither assumes, nor authorizes any person to assume for it any other obligation, or liability in connection with said product. Since the paint finish can be damaged through use, no warranty applies to the paint finish, except from manufacturing defects which become apparent within 30 days from the date of installation. DIMPLEX® EXTENDED ELEMENT WARRANTY: All DIMPLEX® LCM, LCL, PCM, PCL, LC, LPC, TWH, CMH, BLAST and ONE elements are warranted, subject to the above conditions, to be free from defect in material and workmanship for ten years.

Specifications, finishes and dimensions are subject to change and should be taken as a guide only.

Dimplex North America Limited

www.dimplex.com

© 2014 Dimplex North America Limited

